

K 1

English	2
Français	15
Español	29



Read Online



Contents

General notes	2
KÄRCHER Home & Garden App	2
Customer Service	2
SAFETY INSTRUCTIONS	3
Owner/User Responsibility	6
Safety devices	6
Symbols on the device	6
Intended use	6
Accessories and spare parts	6
Scope of delivery	6
Device description	7
Mounting	8
Startup	8
Operation	9
Transport	11
Storage	11
Care and service	12
Troubleshooting guide	13
Technical data	14

READ ALL INSTRUCTIONS BEFORE USING THIS PRODUCT

SAVE THESE INSTRUCTIONS

General notes



Read and follow these original operating instructions and the enclosed safety instructions chapter before using the device for the first time. Proceed accordingly. Keep the original operating instructions for future reference or for future owners.

KÄRCHER Home & Garden App

With the KÄRCHER Home & Garden app, you benefit from the following advantages when using your device:

- Application tips & expert knowledge
- Product information, overview of accessories and operating instructions
- Support and service contact
- Online shop - exclusive offers and much more

Download the KÄRCHER Home & Garden app from your app store and conveniently register your product.

Customer Service

Registration

Your device must be registered in order to help with any questions or issues that you have. You can register your device at www.karcher-register.com if located in the U.S.A., www.karcher.com/ca if located in Canada, or www.karcher.com/mx if located in Mexico.

Warranty

In the case of a warranty claim, you can contact customer support. Please see the contact information listed below for either the USA, Canada or Mexico. You MUST provide your proof of purchase in order to file a warranty claim either via e-mail, phone or fax.

USA Customer Service

You can contact our Customer Service department by phone at **1-800-537-4129** or via the website at www.karcher-help.com.

Canada Customer Service

You can contact our Customer Service department by phone at **1-800-465-4980** or via the website at www.karcher.com/ca/support.

Mexico Customer Service

You can contact our Customer Service department by phone at **01-800-024-1313** or via the website at **www.karcher.com/mx**.

SAFETY INSTRUCTIONS

Hazard levels

DANGER

- Indication of an imminent threat of danger that will lead to severe injuries or even death.

WARNING

- Indication of a potentially dangerous situation that may lead to severe injuries or even death.

CAUTION

- Indication of a potentially dangerous situation that may lead to minor injuries.

ATTENTION

- Indication of a potentially dangerous situation that may lead to damage to property.

IMPORTANT SAFETY INSTRUCTIONS

DANGER

- Risk of asphyxiation. Keep packaging film out of the reach of children.
- Operation in explosive atmospheres is prohibited.

WARNING

When using this product basic precautions should always be followed, including the following:

WARNING

- Read all the instructions before using the product.
- High pressure cleaners must not be used by children or untrained personnel.

- This device is not intended for use by persons (including children) with reduced physical, sensory or mental capabilities, or lack of experience and knowledge, unless they have been given supervision or instruction concerning use of the device by a person responsible for their safety.
- Children should be supervised by a responsible person to ensure that they do not play with the device.
- To reduce the risk of injury, close supervision is necessary when a product is used near children.
- Know how to stop the product and bleed pressures quickly. Be thoroughly familiar with the controls.
- Stay alert, watch what you are doing and use common sense when operating the product.
- Do not operate the product when fatigued or under the influence of drugs, alcohol or medication.
- Keep children and bystanders away while operating the product. Distractions can cause you to lose control.
- Do not overreach or stand on unstable support. Keep proper footing and balance at all times. This enables better control of the product in unexpected situations.
- Follow the maintenance instructions specified in the manual.
- This product is provided with a Class A Ground Fault Circuit Interrupter built into the power cord plug. If replacement of the plug or cord is needed, use only identical replacement parts that include Class A GFCI protection.
- Do not use the device if a supply cord or important parts of the machine are damaged, e.g. safety devices, high pressure hoses, trigger gun.

- This device is capable of producing high pressure (values see Technical data). To avoid rupture and injury, do not operate this device with components rated less than these values (including but not limited to spray guns, hose and hose connections).
- If connection is made to a potable water system, the system has to be protected against back flow.
- Water that has flowed through a back-flow preventer is considered to be non-potable.
- Risk of injection or injury – Do not direct discharge stream at persons or animals.
- High-pressure jets can be dangerous if misused. The jet must not be directed at persons, animals, electrical devices, or the product itself.
- The high-pressure jet must not be directed at other persons or the user him-/herself to clean clothing or footwear.
- High-pressure hoses, fixtures and couplings are important for the safety of the product. Only use high-pressure hoses, fixtures and couplings recommended by the manufacturer.
- Risk of eye injury – Spray can splash back or propel objects. Always wear properly rated eye protection such as safety goggles or face shield while spraying. (Safety glasses do not provide full protection.)
- During use of high pressure cleaners, aerosols may be formed. Inhalation of aerosols can be hazardous to health.
- Depending on the application, shielded nozzles can be used for high pressure cleaning, which will reduce the emission of hydrous aerosols dramatically. However, not all applications allow the use of such a device.

If shielded nozzles are not applicable for the protection against aerosols, a respiratory mask of class FFP 2 or equivalent may be needed, depending on the cleaning environment.

- Before servicing or cleaning the product or removing any parts, shut off power, pull out the power plug and relieve pressure.
- Risk of explosion – Do not spray flammable liquids.
- Do not use acids, alkaline, solvents or any flammable or toxic liquids or material in this device. These products can cause physical injuries to the operator and irreversible damage to the device.
- Risk of electrocution – Inspect cord before using. Do not use if cord is damaged. Immediately have damaged cord replaced by an authorized customer service / electrician.
- Keep all connections dry and off the ground.
- Do not touch plug with wet hands.
- Do not spray electrical apparatus and wiring.
- Do not use extension cord with this product.
- Connect to individual branch circuit only.

CAUTION

- Gun kicks back – Hold with both hands. The emitted water jet results in a repulsion power acting on the high pressure gun. Make sure that you have a firm footing and are also holding the high pressure gun and-spray lance firmly.
- The trigger gun safety lock prevents the spray from accidentally being engaged. This safety feature DOES NOT lock spray in the ON position.

ATTENTION

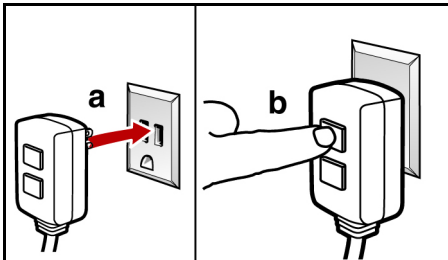
- This device has been designed for use with cleaning detergents recommended by the manufacturer. The use of other cleaning detergents may affect the operation of the device and void the warranty.

GROUND FAULT CIRCUIT INTERRUPTER PROTECTION

This electric pressure washer is equipped with a Class A ground-fault circuit-interrupter (GFCI) built into the plug of the power supply cord. This device provides additional protection from the risk of electric shock.

The Consumer Product Safety Commission recommends that you test all GFCI's once a month. Since the frequency of pressure washer use varies, we recommend that you test the GFCI as part of your startup procedure each time you use your pressure washer. It might need to be reset before working with the pressure washer. To learn how to perform the GFCI test and how to reset it, visit <http://www.karcher-help.com> and search for GFCI for further instructions.

DO NOT USE IF GFCI FAILS TEST.



NOTE: The actual appearance of the GFCI may be different from this illustration.

SERVICING OF A DOUBLE-INSULATED PRODUCT

In a double-insulated product, two systems of insulation are provided instead of grounding. No grounding means is provided on a double-insulated product, nor should a means for grounding be added to the product. Servicing a double-insulated product requires extreme care and knowledge of the system, and should be done only by qualified service personnel. Replacement parts for a double-insulated product must be identical to the parts they replace. A double-insulated product is marked with the words "DOUBLE INSULATION" or "DOUBLE INSULATED". The symbol "⊞" may also be marked on the product.

WATER SUPPLY (cold water only)

⚠ CAUTION

When connecting the water inlet with the water supply mains, local regulations of your water company must be observed.

In some areas the unit must not be connected directly to the public drinking water supply. This is to ensure that there is no feedback of chemicals into the water supply.

Direct connection via a receiver tank or back-flow preventer, for example, is permitted.

- Dirt in the feed water will damage the unit. To avoid this risk, we recommend fitting a water filter.
- Never use the pressure washer to draw in water contaminated with solvents, e.g. paint thinners, gasoline, oil etc.
- Always prevent debris from being drawn into the unit by using a clean water source.

Owner/User Responsibility

The owner and/or user must have an understanding of the manufacturer's operating instructions and warnings before using this pressure washer. Warning information should be emphasized and understood.

If the operator is not fluent in English, the manufacturer's instructions and warnings shall be read to and discussed with the operator in the operator's native language by the purchaser/owner, making sure that the operator comprehends its contents.

Owner and/or user must study and maintain the manufacturers' instructions for future reference.

Safety devices



CAUTION

Risk of injury due to missing or modified safety devices!

Safety devices are provided for your own protection.

Do not bypass, remove or render ineffective any safety devices.

Power switch

The power switch stops you from operating the device unintentionally.

High-pressure gun lock

The lock blocks the lever of the high-pressure gun and prevents the device from starting unintentionally.

Auto-stop function

If the lever on the high-pressure gun is released, the pressure switch switches the pump off and the high-pressure jet stops. If the lever is pressed, the pump switches on again.

Symbols on the device



Do not point the high-pressure jet at people, animals, live electrical equipment or at the device itself.

Protect the device from frost.

Intended use

For home use only!

The high-pressure cleaner is designed for cleaning machines, vehicles, structures, tools, facades, terraces, garden tools, etc. with high-pressure water streams.

Accessories and spare parts

Only use original accessories and original spare parts. They ensure that the appliance will run fault-free and safely. Information on accessories and spare parts can be found at www.kaercher.com.

Scope of delivery

The scope of delivery for the appliance is shown on the packaging. During unpacking, check the contents for completeness. If any accessories are missing or in the event of any shipping damage, please notify your dealer.

Device description



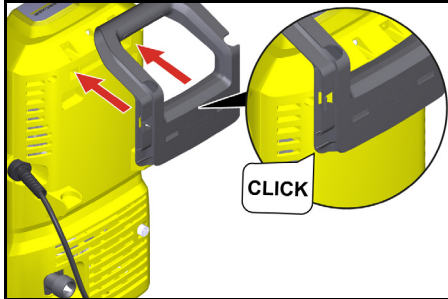
- ① Garden hose connector
- ② Coupling for water connection
- ③ Water connection with integrated sieve
- ④ Mains connection cable with mains plug
- ⑤ Suction hose for detergent
- ⑥ Storage for spray lance
- ⑦ Carrying handle
- ⑧ Spray lance with high-pressure nozzle for normal cleaning tasks
- ⑨ Spray lance extension
- * additionally required
- ⑩ High-pressure gun lever
- ⑪ Clamp for connecting / disconnecting the high-pressure hose
- ⑫ High-pressure gun
- ⑬ High-pressure gun lock
- ⑭ High-pressure hose
- ⑮ Power switch "0/OFF" / "I/ON"
- ⑯ High-pressure connection
- ⑰ Type plate
- ⑱ * Garden hose (fabric-reinforced, diameter at least 1/2 inch (13 mm), length at least 7.5 m)

Mounting

Fit the supplied loose parts onto the device before starting up the device.

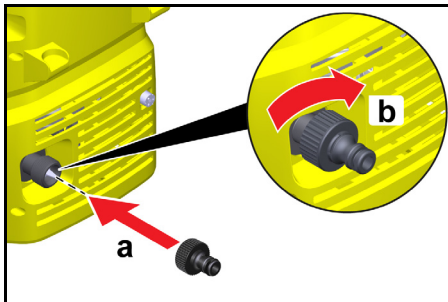
Installing the handle

1. Fit the carrying handle so that it latches into place.



Mounting the coupling for the water connection

1. Screw the coupling for the water connection onto the water connection of the device.



Startup

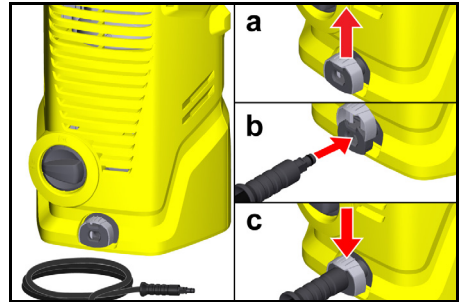
1. Place the device on a level, horizontal surface.

ATTENTION

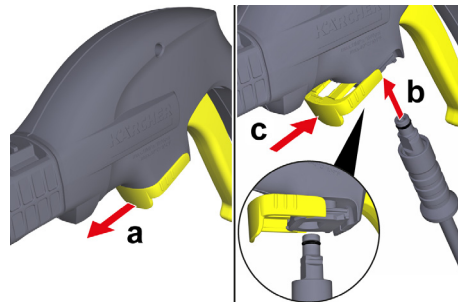
Risk of damage during operation with wound-up high-pressure hose!

Damage on the high-pressure hose. Unwind the high-pressure hose completely and lay it out without knots, loops or twists before operating the device.

2. Unwind the high-pressure hose completely and lay it out without knots, loops, or twists.
3. Connect the high-pressure hose to the device.
 - a Pull up the clamp on the coupling.
 - b Insert the high-pressure hose into the coupling.
 - c Press down the clamp on the coupling.



4. Connect the high-pressure hose to the high-pressure gun.
 - a Pull out the clamp on the high-pressure gun.
 - b Insert the high-pressure hose.
 - c Press the clamp in until it latches into place.



5. Check for a secure connection by pulling on the high-pressure hose.
6. Plug the mains plug into a mains socket.

Water supply

For connected loads, see type plate or chapter *Technical data*.

Observe the instructions of the water supply company.

ATTENTION

Damage due to contaminated water

Contaminated water can damage the pump and accessories.

For protection, KÄRCHER recommends the use of the KÄRCHER water filter (special accessory, order number 4.730-059).

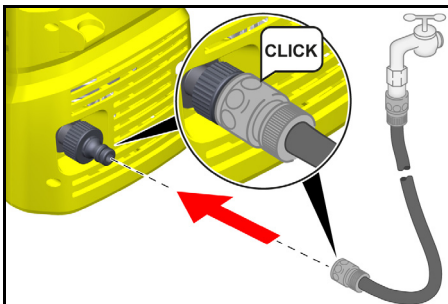
Connection to the water line

ATTENTION

Risk of damage when using hose couplings made of brass with AquaStop function from third-party suppliers.

Damage to the high-pressure pump. Only use hose couplings with/without AquaStop function from Kärcher, hose couplings without AquaStop function or hose couplings made of plastic with AquaStop function from third-party suppliers.

1. Fit the supplied hose coupling to the end of the garden hose.
2. Plug the garden hose onto the water connection coupling.
3. Connect the garden hose to the water line.
4. Open the water tap completely.



Operation

ATTENTION

Risk of damage!

Damaging the pump during dry running.

Switch off the device if it does not build up pressure within 2 minutes.

Proceed according to the instructions in chapter *Troubleshooting guide*.

ATTENTION

Risk of damage!

The pump can get damaged if the device is misaligned.

Only operate the device in a lying (horizontal) position.

High-pressure operation

ATTENTION

Risk of damage if the spray distance is too short or if an unsuitable spray lance is used!

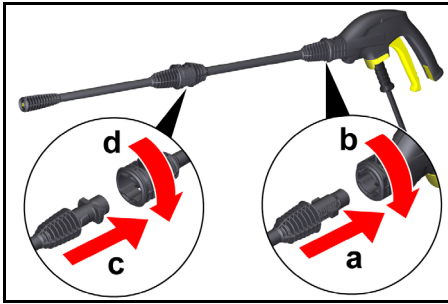
Damage to painted or sensitive surfaces.

Keep at least a spray distance of 12 inches when cleaning painted surfaces.

Only use suitable spray lances.

1. Connect the high-pressure gun to the spray lances.
 - a Insert the spray lance extension into the high-pressure gun.
 - b Lock it by turning it 90°.
 - c Insert the spray lance with the high-pressure nozzle into the spray lance extension.

d Lock it by turning it 90°.



2. Switch the device on ("I/ON").
3. Unlock the lever of the high-pressure gun.
4. Press the lever of the high-pressure gun.

The device switches on.

Operation with detergent

⚠ DANGER

Risk of injury from detergent

Serious damage to health due to improper use of detergents.

Observe the detergent manufacturer's safety data sheet.

Wear the prescribed personal protective gear.

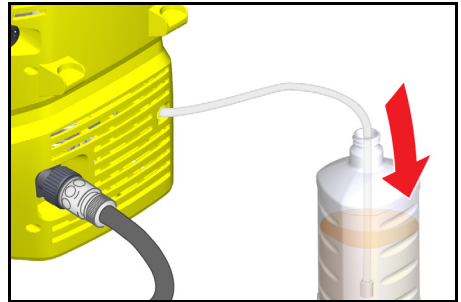
Note

KÄRCHER detergents ensure fault-free operation. Ask us for a consultation, request our catalog or our detergent information sheets.

Note

Detergent can only be mixed into the jet at low pressure.

1. Pull the detergent suction hose out of the casing to the desired length.
2. Hang the detergent suction hose in a container with detergent solution.



3. Separate the spray lance with the high-pressure nozzle from the spray lance extension and only work with the spray lance extension mounted. The detergent solution is mixed with the water stream during operation.

Recommended cleaning method

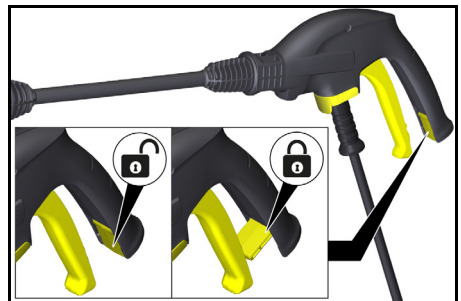
1. Spray the detergent sparingly on the dry surface and let it work for a while (do not let it dry).
2. Rinse off the loosened dirt with the high-pressure jet.

After operation with detergent

1. Rinse the device with clean water for approx. 30 seconds.

Interrupting operation

1. Release the lever of the high-pressure gun. When the lever is released, the device switches off. The high-pressure in the system is maintained.
2. Lock the lever of the high-pressure gun.



3. For work breaks longer than 5 minutes, switch off the device "0/OFF".

Ending operation

CAUTION

Risk of injury from escaping water under high pressure!

Injuries

Only disconnect the high-pressure hose from the high-pressure gun or the device if there is no pressure in the system.

1. Release the lever of the high-pressure gun.
2. Close the water tap.
3. Press the lever of the high-pressure gun for 30 seconds.
The pressure in the system is released.
4. Release the lever of the high-pressure gun.
5. Lock the lever of the high-pressure gun.
6. Switch off the device "0/OFF".
7. Disconnect the device from the water supply.
8. Pull the mains plug out of the outlet.

Transport

CAUTION

Risk of injury or damage due to the weight of the device!

Injury and damage.

Be aware of the weight of the device during transport and storage.

Carrying the device

1. Lift the device by the carrying handle and carry it.

Transporting the device in a vehicle

1. Secure the device against shifting and tipping.

Storage

CAUTION

Risk of injury or damage due to the weight of the device!

Injury and damage.

Be aware of the weight of the device during transport and storage.

Storing the device

1. Place the device on a level surface.
2. Disconnect the spray lance with the high-pressure nozzle from the spray lance extension.
3. Disconnect the spray lance extension from the high-pressure gun.
4. Stow the spray lance and the spray lance extension in the appropriate storage options.
5. Disconnect the high-pressure hose from the device.
6. Disconnect the high-pressure hose from the high-pressure gun.
7. Store the high-pressure hose and the high-pressure gun on the device.
8. Stow the mains connection cable on the device.

Observe the additional notes before storing the device for a longer period of time, see chapter Care and Service.

Frost protection

ATTENTION

Risk of damage!

Damage to the device and accessories due to freezing water.

Completely empty the device and accessories after each use.

Protect the device and accessories from temperatures below or equal to 0 °C (32 °F).

1. Disconnect the water supply from the device.
2. Remove the high-pressure hose from the device.
3. Switch the device on ("I/ON").
4. Wait for a maximum of 1 minute until no more water escapes from the high-pressure connection.
5. Switch off the device ("0/OFF").
6. Store the device and accessories in a frost-protected room.

Care and service

⚠ DANGER

Risk of electric shock

Injuries due to touching live parts

Switch off the device.

Remove the mains plug.

The device is maintenance-free, so it is not necessary to carry out regular maintenance work.

Clean the sieve in the water connection

ATTENTION

Risk of damage!

Damage to the sieve due to improper cleaning.

Clean the sieve only under running water against its flow direction.

Do not use sharp or hard objects e.g. needles or wire brushes.

ATTENTION

Risk of damage!

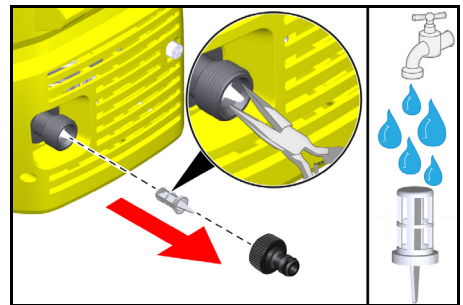
Damage to the device and accessories when operating without a sieve or with a damaged sieve.

Check the sieve for damage before inserting it into the water connection. Replace a damaged sieve immediately.

Do not operate the device without a sieve.

Clean the sieve in the water connection if necessary.

1. Unscrew the coupling on the water connection.
2. Pull out the sieve.

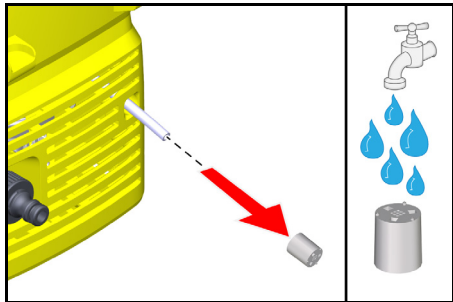


3. Clean the sieve under running water.
4. Insert the sieve into the water connection.

Cleaning the detergent filter

Clean the detergent filter before prolonged storage.

1. Remove the filter from the detergent suction hose.
2. Clean the filter under running water.



Troubleshooting guide

Malfunctions often have simple causes that you can remedy yourself using the following overview. When in doubt, or in the case of malfunctions not mentioned here, please contact your authorized Customer Service.

⚠ DANGER

Danger of death!

Fatal injuries due to electric shock when touching live parts.

Do not touch any live parts.

Switch off the device.

Pull the mains plug out of the mains socket.

Device is not running

1. Press the lever of the high-pressure gun.
The device switches on.
2. Check if the voltage specified on the type plate matches the voltage of the power source.
3. Check the mains connection for damage.

Device does not reach required pressure

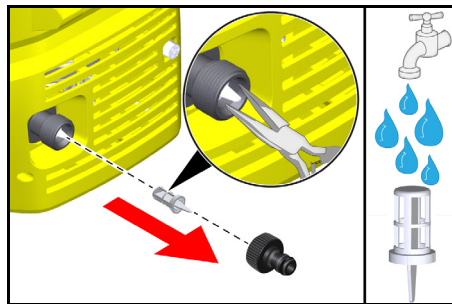
The water supply is too low.

1. Open the water tap fully.

2. Check the water inlet for an adequate flow rate.

The sieve in the water connection is dirty.

1. Pull the sieve in the water connection out using flat pliers.
2. Clean the sieve under running water.



Air is in the device.

1. Vent the device:
 - a Switch on the device without the spray lance with high-pressure nozzle for a maximum of 2 minutes.
 - b Press the lever of the high-pressure gun and wait until the water escaping from the spray lance extension is free of air bubbles.
 - c Connect the spray lance with the high pressure nozzle.

Strong pressure fluctuations

1. Cleaning the high-pressure nozzle:
 - a Remove contamination from the nozzle drill with a needle.
 - b Rinse the high-pressure nozzle with water from the front.
2. Check the water supply volume.

Device leaking

1. A slight leakage in the device is due to technical reasons. In case of severe leakage, contact an authorized Customer Service center.

Detergent is not sucked in

1. Separate the spray lance with the high-pressure nozzle from the spray

- lance extension and only work with the spray lance extension mounted.
2. Clean the filter on the detergent suction hose.
 3. Check the detergent suction hose for kinks.

Technical data		
Electrical connection		
Voltage	V	120
Phase	~	1
Frequency	Hz	60
Connection output	kW	1,49
Protection class		IPX5
Protection class	☐	II
Water connection		
Feed pressure (max.)	MPa	1,2
	psi	175
Input temperature (max.)	°C	40
	°F	104
Input amount (min.)	l/min	7
	gpm	1.8
Device performance data		
Operating pressure	MPa	10
Max. pressure	MPa	11,7
	psi	1700
Water flow rate	l/min	4,7
Maximum flow rate	l/min	5,5
	gpm	1.45
Detergent flow rate	l/min	0,3
	gpm	0.08
Hand-arm vibration value	m/s ²	1,8
Uncertainty K	m/s ²	0,7
Sound pressure level L _{pA}	dB(A)	77
Uncertainty K _{pA}	dB(A)	3
Dimensions and weights		
Typical operating weight	kg	5,3
Length	mm	188
Width	mm	206
Height	mm	445
Subject to technical changes without notice.		

Contenu

Remarques générales.....	15
Application KÄRCHER	
Home & Garden	15
Service à la clientèle	15
CONSIGNES DE SECURITE	16
Responsabilité du propriétaire/utilisateur	19
Dispositifs de sécurité	20
Symbols on the device	20
Utilisation prévue	20
Accessoires et pièces de rechange ...	20
Etendue de livraison	20
Description de l'appareil.....	21
Montage	22
Mise en service	22
Fonctionnement	23
Transport.....	25
Stockage	25
Entretien et maintenance	26
Dépannage en cas de défaut.....	27
Caractéristiques techniques.....	28

**LIRE TOUTES
LES INSTRUCTIONS
AVANT
L'UTILISATION
DE CE PRODUIT**

**CONSERVER
CES INSTRUCTIONS**

Remarques générales



Lisez et suivez ce manuel d'instructions original ainsi que le chapitre ci-joint sur les consignes de sécurité avant d'utiliser l'appareil pour la première fois. Procédez en conséquence.

Conservez le manuel d'instructions original pour une utilisation ultérieure ou pour le pro-priétaire suivant.

Application KÄRCHER Home & Garden

Avec l'application Home & Garden de KÄRCHER, vous bénéficiez des avantages suivants lors de l'utilisation de votre appareil :

- Conseils d'utilisation & expertise
- Informations sur les produits, présentation des accessoires et manuels d'utilisation
- Aide et contact de service
- Boutique en ligne - offres exclusives et bien plus encore

L'application KÄRCHER Home & Garden dans votre App Store et enregistrez aisément votre produit.

Service à la clientèle

Enregistrement

Pour obtenir une réponse à toute question ou de l'aide pour tout problème, votre appareil doit être enregistré.

Vous pouvez enregistrer votre appareil **sur www.karcher-register.com** s'il est situé aux États-Unis, **sur www.karcher.ca** s'il est situé au Canada, ou sur **www.karcher.com/mx** s'il est situé au Mexique.

Garantie

Dans le cas d'une réclamation sous garantie, vous pouvez contacter le service à la clientèle. Veuillez utiliser les coordonnées ci-dessous pour les États-Unis, le Canada ou le Mexique.

Vous DEVEZ fournir votre preuve d'achat pour déposer une réclamation sous garantie par courriel, téléphone ou fax.

Service client aux États-Unis

Vous pouvez contacter notre service client par téléphone au numéro **1-800-537-4129** ou via le site web à l'adresse www.karcher-help.com.

Service à la clientèle — Canada

Vous pouvez contacter notre service à la clientèle par téléphone, au **1-800-465-4980**, ou par l'intermédiaire du site web, sous www.karcher.com/ca/support.

Service à la clientèle — Mexique

Vous pouvez contacter notre service à la clientèle par téléphone, au **01-800-024-13-13**, ou par l'intermédiaire du site web, sous www.karcher.com/mx.

CONSIGNES DE SECURITE

Niveaux de danger

DANGER

- Indique un danger immédiat qui peut entraîner de graves blessures corporelles ou la mort.

AVERTISSEMENT

- Indique une situation potentiellement dangereuse qui peut entraîner de graves blessures corporelles ou la mort.

PRÉCAUTION

- Indique une situation potentiellement dangereuse qui peut entraîner des blessures légères.

ATTENTION

- Indique une situation potentiellement dangereuse qui peut entraîner des dommages matériels.

IMPORTANTES CONSIGNES DE SÉCURITÉ

DANGER

- Risque d'asphyxie. Garder la pellicule d'emballage hors de la portée des enfants.
- Tout fonctionnement dans des atmosphères explosives est interdit.

AVERTISSEMENT

Respecter systématiquement les précautions de base lors de l'utilisation du produit, y compris les suivantes :

AVERTISSEMENT

- Lire toutes les instructions avant d'utiliser ce produit.
- Les nettoyeurs haute pression ne doivent pas être utilisés par des enfants ou un personnel non formé.
- Cet appareil n'est pas destiné à être utilisé par des personnes (y compris des enfants) dont les capacités physiques, sensorielles ou mentales sont réduites, ou qui manquent d'expérience et de connaissances, à moins qu'elles n'aient été supervisées ou instruites sur l'utilisation de l'appareil par une personne responsable de leur sécurité.
- Les enfants doivent être surveillés par une personne responsable afin de s'assurer qu'ils ne jouent pas avec l'appareil
- Pour réduire le risque de blessure, une surveillance est nécessaire en cas d'utilisation auprès d'enfants.
- Vous devez connaître la marche à suivre pour arrêter l'appareil et le dépressuriser rapidement. Familiarisez-vous complètement avec les commandes.
- Restez alerte, concentrez-vous sur ce que vous faites, et faites preuve

de bon sens lors de l'exploitation du produit.

- N'utilisez pas le produit lorsque vous êtes fatigué ou sous l'emprise de drogues, d'alcool ou de médicaments.
- Tenir les enfants et les passants à l'écart pendant l'exploitation du produit. Toute distraction peut entraîner une perte de contrôle.
- Ne vous penchez pas ou ne vous tenez pas sur un support instable. Maintenir une position stable et équilibrée à tout moment, ce qui permet de mieux contrôler le produit dans des situations inattendues.
- Suivre les instructions de maintenance spécifiées dans le manuel.
- Ce produit est fourni avec un disjoncteur-détecteur de fuites à la terre de classe A intégré dans la fiche du cordon d'alimentation. S'il est nécessaire de remplacer la fiche ou le câble, utiliser exclusivement des pièces de rechange identiques comprenant une protection GFCI de classe A.
- Ne pas utiliser l'appareil si un cordon d'alimentation ou des pièces importantes de la machine sont endommagés, par exemple des dispositifs de sécurité, des flexibles haute pression, la poignée pistolet.
- Cet appareil est capable de produire une haute pression (voir Caractéristiques techniques pour connaître les valeurs). Pour éviter toute casse ou blessure, ne pas utiliser cet appareil avec des composants calibrés pour des pressions inférieures à ces valeurs (comprenant notamment les pistolets, flexibles et raccords de flexible, entre autres).
- Si un raccordement à un système d'eau potable est établi, il faut proté-

ger le système contre les retours de flux.

- L'eau qui s'est écoulée à travers un appareil empêchant les reflux est considérée comme non potable.
- Risque d'injection ou de blessure – Ne pas diriger le jet haute pression vers des personnes ou des animaux.
- Les jets haute pression peuvent être dangereux s'ils sont mal utilisés. Ne pas diriger le jet vers des personnes, des animaux, des équipements électriques ni le produit lui-même.
- Le jet haute pression ne doit pas être dirigé vers d'autres personnes ou vers l'utilisateur lui-même pour nettoyer des vêtements ou des chaussures.
- Les flexibles haute pression, les fixations et les raccords sont importants pour la sécurité du produit. N'utiliser que les flexibles haute pression, les fixations et les raccords préconisés par le fabricant.
- Risque de lésions oculaires – La pulvérisation peut éclabousser des objets ou les projeter. Portez toujours une protection oculaire appropriée, telle que des lunettes de protection ou un écran facial lorsque vous pulvérisiez. (Les lunettes de sécurité n'offrent pas une protection totale).
- Lors de l'utilisation de nettoyeurs haute pression, des aérosols peuvent se former. L'inhalation d'aérosols peut être dangereuse pour la santé.
- En fonction de l'application, des buses blindées peuvent être utilisées pour le nettoyage à haute pression, ce qui réduit considérablement l'émission d'aérosols hydriques. Cependant, toutes les applications ne permettent pas l'utilisation d'un tel appareil. Si les buses blindées ne

sont pas applicables pour la protection contre les aérosols, un masque respiratoire de classe FFP 2 ou équivalent peut être nécessaire, en fonction de l'environnement de nettoyage.

- Mettre hors tension et hors pression et retirer la fiche secteur avant la maintenance, le nettoyage du produit ou le retrait de pièces.
- Risque d'explosion – Ne pas pulvériser de liquides inflammables.
- Ne pas utiliser d'acides, d'alcalins, de solvants ni de liquides ou de matières inflammables ou toxiques dans cet appareil. Ces produits peuvent entraîner des blessures physiques pour l'opérateur et des dommages irréversibles pour l'appareil.
- Risque d'électrocution – Inspecter le cordon avant utilisation. Ne pas utiliser l'appareil si le cordon est endommagé. Faire remplacer immédiatement le cordon endommagé par un service après-vente / électricien agréé.
- Maintenir tous les raccordements secs et éloignés du sol.
- Ne pas toucher la fiche avec les mains mouillées.
- Ne pas pulvériser les appareils et câbles électriques.
- N'utilisez pas de rallonge avec ce produit.
- Raccorder l'appareil uniquement à un circuit de dérivation individuel.

PRÉCAUTION

- Attention au recul du pistolet : maintenez-le à deux mains. Le jet d'eau émis entraîne une force de recul agissant sur le pistolet haute pression. Assurez-vous que vos pieds restent bien ancrés au sol et que vous tenez fermement le pistolet

haute pression et la lance de pulvérisation.

- La fermeture de sécurité de la poignée pistolet empêche l'enclenchement accidentel du jet. Ce dispositif de sécurité NE verrouille PAS le jet en position MARCHÉ.

ATTENTION

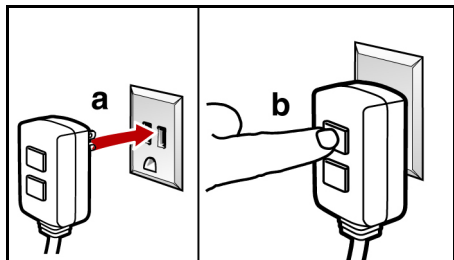
- Cet appareil a été conçu pour être utilisé avec les détergents préconisés par le fabricant. L'utilisation d'autres détergents peut affecter le fonctionnement de l'appareil et annuler la garantie.

PROTECTION DE DISJONCTEUR-DETECTEUR DE FUITES A LA TERRE

Ce nettoyeur haute pression électrique est fourni avec un Classe A disjoncteur de fuite de terre (Ground Fault Circuit Interrupter, GFCI) intégré à la fiche du cordon d'alimentation de courant. Cet appareil offre une protection supplémentaire contre le risque de choc électrique.

La Commission de protection des consommateurs et de sécurité des produits recommande de tester tous les GFCI une fois par mois. Comme la fréquence d'utilisation du nettoyeur haute pression varie, nous vous recommandons de tester le disjoncteur de fuite à la terre dans le cadre de votre procédure de démarrage chaque fois que vous utilisez votre nettoyeur haute pression. Il peut être nécessaire de le réinitialiser avant de travailler avec le nettoyeur haute pression. Pour savoir comment effectuer le test du disjoncteur de fuite à la terre et comment le réinitialiser, visitez le site <http://www.karcher-help.com> et cherchez « GFCI » pour obtenir des instructions supplémentaires.

NE PAS UTILISER SI LE TEST GFCI ÉCHOUE.



Note : L'aspect réel du disjoncteur de fuite à la terre peut être différent de cette illustration.

ENTRETIEN DES APPAREILS A DOUBLE ISOLATION

Dans un appareil à double isolation, deux isolations distinctes remplacent la mise à la terre. L'appareil à double isolation n'est pourvu d'aucun dispositif de mise à la terre et un tel dispositif ne doit pas être ajouté. L'entretien d'un appareil à double isolation demande beaucoup de soins ainsi qu'une bonne connaissance du système et ne devrait être effectué que par un technicien d'entretien qualifié. Les pièces de rechange d'un appareil à double isolation doivent être identiques aux pièces originales. Un produit à double isolation est marqué des mots «DOUBLE INSULATION» ou «DOUBLE INSULATED». Le symbole «□» peut également être marqué sur le produit.

ALIMENTATION EN EAU (eau froide uniquement)

⚠ PRÉCAUTION

Lors du raccordement de l'arrivée d'eau au réseau d'alimentation en eau, respecter les réglementations locales du fournisseur d'eau.

Dans certaines zones, l'unité ne peut pas être raccordée directement à l'alimentation en eau potable publique.

Ce, afin de garantir l'absence de retour de produits chimiques dans l'alimentation en eau.

Il est, par exemple, autorisé de raccorder l'eau à un réservoir ou un appareil empêchant les reflux.

- Des impuretés dans l'eau d'alimentation endommagent l'unité. Afin d'empêcher ce risque, nous recommandons le montage d'un filtre à eau.
- Ne jamais utiliser le nettoyeur sous pression pour aspirer de l'eau contaminée par des solvants tels que des diluants pour peinture, de l'essence, de l'huile, etc.
- Empêcher les débris d'être aspirés dans l'unité en utilisant de l'eau de source propre.

Responsabilité du propriétaire/utilisateur

Le propriétaire et/ou l'utilisateur doivent comprendre les instructions de fonctionnement et les avertissements du fabricant avant d'utiliser le nettoyeur sous pression.

Les informations d'avertissement doivent être soulignées et comprises. Si l'opérateur ne parle pas l'anglais couramment, le client/propriétaire doit lire les instructions et avertissements du fabricant, en discuter avec l'opérateur dans sa langue maternelle et s'assurer que celui-ci en comprend le contenu.

Le propriétaire et/ou l'utilisateur doivent étudier et conserver les instructions du fabricant en vue d'une utilisation future.

Dispositifs de sécurité

PRECAUTION

Risque de blessures en raison de dispositifs de sécurité manquants ou modifiés !

Les dispositifs de sécurité servent à vous protéger.

Ne pas contourner, enlever ou rendre inopérants les dispositifs de sécurité

Interrupteur principal

L'interrupteur principal évite un fonctionnement involontaire de l'appareil.

Verrouillage du pistolet haute pression

Le verrouillage bloque le levier du pistolet haute pression et évite un démarrage involontaire de l'appareil.

Fonction Auto-Stop

Lorsque le levier sur le pistolet haute pression est relâché, le pressostat désactive la pompe et arrête le jet haute pression. La pompe est réactivée lorsque le levier est actionné.

Symbols on the device



Ne pas diriger le jet haute pression sur des personnes, des animaux, des équipements électriques sous tension ou sur l'appareil lui-même.

Protéger l'appareil contre le gel.

Utilisation prévue

Pour usage domestique uniquement !

Le nettoyeur haute pression est conçu pour nettoyer les machines, les véhicules, les structures, les outils, les façades, les terrasses, les outils de jardinage, etc. avec des jets d'eau à haute pression.

Accessoires et pièces de rechange

Utiliser exclusivement des accessoires et pièces de rechange originaux.

Ceux-ci garantissent le fonctionnement sûr et sans défaut de votre appareil.

Des informations sur les accessoires et pièces de rechange sont disponibles sur le site Internet www.kaercher.com.

Etendue de livraison

L'étendue de livraison de l'appareil est illustrée sur l'emballage. Lors du déballage, vérifiez que le contenu de la livraison est complet. Si un accessoire manque ou en cas de dommage dû au transport, veuillez informer votre distributeur.

Description de l'appareil



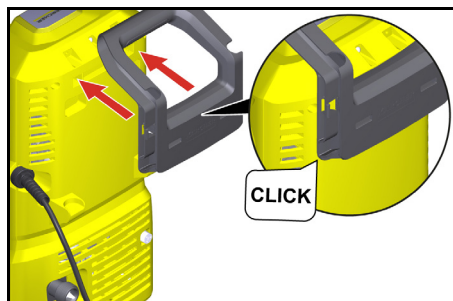
- ① Raccord de tuyau d'arrosage
 - ② Raccord pour le raccord d'alimentation en eau
 - ③ Raccord d'alimentation en eau avec tamis intégré
 - ④ Câble d'alimentation électrique avec fiche secteur
 - ⑤ Flexible d'aspiration de détergent
 - ⑥ Rangement de la lance
 - ⑦ Poignée de transport
 - ⑧ Lance avec buse haute pression pour tâches de nettoyage normales
 - ⑨ Rallonge de la lance
 - ⑩ Pistolet haute pression
 - ⑪ Attache pour raccorder/débrancher le flexible haute pression
 - ⑫ Levier du pistolet haute pression
 - ⑬ Verrouillage du pistolet haute pression
 - ⑭ Flexible haute pression
 - ⑮ Interrupteur principal « 0/OFF »/« I/ON »
 - ⑯ Raccord haute pression
 - ⑰ Plaque signalétique
 - ⑱ * Tuyau d'arrosage (renforcé, diamètre d'au moins 1/2 pouce (13 mm), longueur d'au moins 7,5 m)
- * également nécessaire

Montage

Monter les pièces détachées fournies sur l'appareil avant sa mise en service.

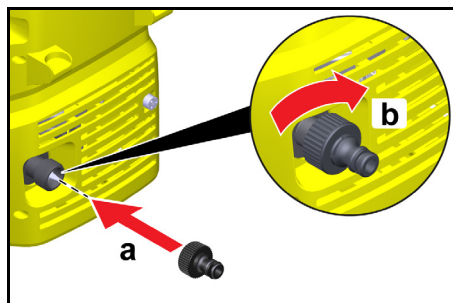
Monter la poignée

1. Enclencher la poignée de transport.



Montage de l'accouplement du raccord d'alimentation en eau

1. Visser l'accouplement du raccord d'alimentation en eau sur le raccord d'alimentation en eau de l'appareil.



Mise en service

1. Placer l'appareil sur une surface plane et horizontale.

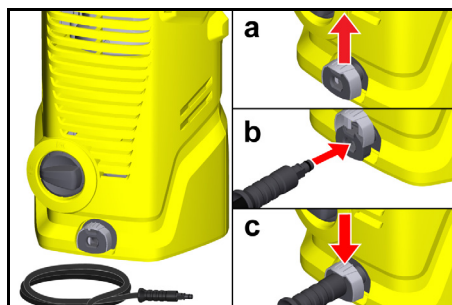
ATTENTION

Risque d'endommagement en cas de fonctionnement avec un flexible haute pression enroulé

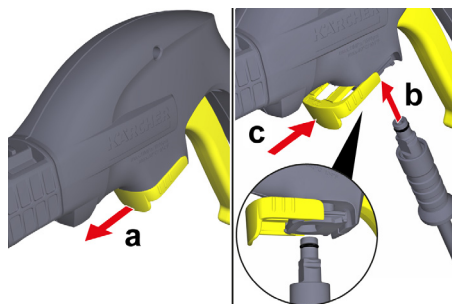
Domages sur le flexible haute pression.

Déroulez complètement le flexible haute pression et déployez-le sans faire de nœuds, de boucles ou de torsions avant d'utiliser l'appareil.

2. Dérouler complètement le flexible haute pression et poser sans nœuds, boucles ou torsions éventuelles.
3. Ranger le flexible haute pression sur l'appareil.
 - a Tirer vers le haut l'attache du raccord.
 - b Enfiler le flexible haute pression dans le raccord.
 - c Pousser l'attache vers le bas au niveau du raccord.



4. Relier le flexible haute pression au pistolet haute pression.
 - a Retirer l'agrafe du pistolet haute pression.
 - b Enfiler le flexible haute pression.
 - c Presser l'attache jusqu'à ce qu'elle s'enclenche.



5. Vérifier si la connexion est correcte en tirant sur le flexible haute pression.
6. Brancher la fiche secteur dans une prise de courant.

Alimentation en eau

La puissance raccordée est indiquée sur la plaque signalétique ou dans le chapitre des *Caractéristiques techniques*.

Respecter les directives de l'entreprise de distribution d'eau.

ATTENTION

Dommages dus à de l'eau impure

Les impuretés contenues dans l'eau peuvent endommager la pompe et les accessoires.

Pour les protéger, KÄRCHER recommande d'utiliser le filtre à eau KÄRCHER (accessoire spécial, référence 4.730-059).

Raccordement à une conduite d'eau

ATTENTION

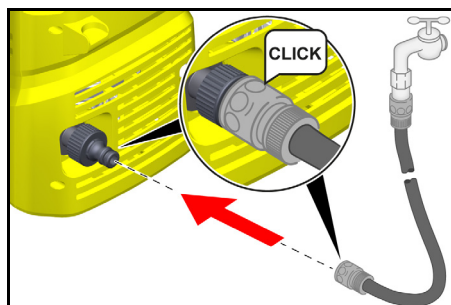
ATTENTION Risque d'endommagement lors de l'utilisation de raccords de tuyaux en laiton avec fonction AquaStop de fournisseurs externes.

Dommages sur la pompe à haute pression.

Utilisez exclusivement des raccords de tuyaux avec/sans fonction AquaStop de Kärcher, des raccords de tuyaux sans fonction AquaStop ou des raccords de tuyaux en plastique avec fonction AquaStop d'autres fournisseurs.

1. Fixer le coupleur rapide du flexible fourni à l'extrémité du tuyau d'arrosage.
2. Enficher le tuyau d'arrosage sur l'accouplement du raccord d'alimentation en eau.
3. Raccorder le tuyau d'arrosage à la conduite d'eau.

4. Ouvrir complètement le robinet d'eau.



Fonctionnement

ATTENTION

Risque d'endommagement !

Endommagement de la pompe en cas de marche à sec.

Éteignez l'appareil s'il ne se met pas sous pression dans les 2 minutes.

Procédez conformément aux instructions du chapitre *Dépannage en cas de défaut*.

Fonctionnement à haute pression

ATTENTION

Risque d'endommagement en cas de distance de pulvérisation trop courte ou d'utilisation d'une lance de pulvérisation inadaptée !

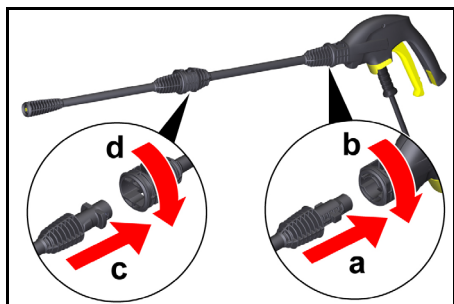
Endommagement des surfaces peintes ou sensibles.

Respecter une distance de pulvérisation d'au moins 12 pouces lors du nettoyage des surfaces peintes.

N'utilisez que des lances de pulvérisation appropriées.

1. Raccordez le pistolet haute pression aux lances de pulvérisation.
 - a Insérez l'extension de lance de pulvérisation dans le pistolet haute pression.
 - b Verrouillez-la en la tournant de 90°.

- c Insérez la lance de pulvérisation avec la buse haute pression dans l'extension de lance de pulvérisation.
- d Verrouillez-la en la tournant de 90°.



2. Mettez en marche l'appareil (« I/ ON »).
3. Déverrouillez le levier du pistolet haute pression.
4. Appuyez sur le levier du pistolet haute pression.
L'appareil s'allume.

Fonctionnement avec détergent

⚠ DANGER

Risque de blessure dû au détergent
Graves dommages pour la santé dus à une utilisation inappropriée des détergents.

Tenez compte de la fiche de données de sécurité du fabricant du détergent. Portez l'équipement de protection individuel prescrit.

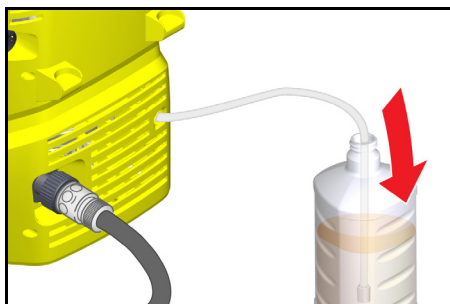
Remarque

Les détergents KÄRCHER garantissent un fonctionnement sans faille. Demandez-nous une estimation, consultez notre catalogue ou nos fiches d'information sur les détergents.

Remarque

Le détergent ne peut être mélangé au jet qu'à basse pression.

1. Tirez le tuyau d'aspiration du détergent hors du boîtier jusqu'à la longueur souhaitée.
2. Suspendez le tuyau d'aspiration du détergent dans un récipient contenant une solution détergente.



3. Séparez la lance de pulvérisation avec la buse haute pression de la rallonge de la lance de pulvérisation et ne travailler qu'avec la rallonge de la lance de pulvérisation montée. La solution de détergent est mélangée au jet d'eau pendant le fonctionnement.

Méthode de nettoyage conseillée

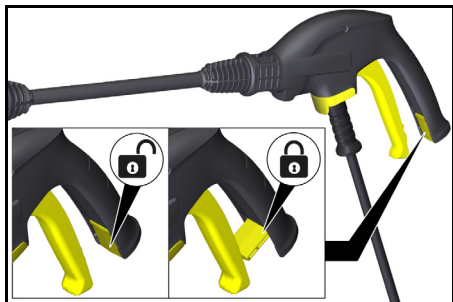
1. Vaporiser avec parcimonie le détergent sur la surface sèche et laisser agir (mais pas sécher).
2. Rincer les salissures détachées avec le jet haute pression.

Après le fonctionnement avec détergent

1. Rincer l'appareil à l'eau claire pendant 30 secondes.

Interruption du fonctionnement

1. Relâcher le levier du pistolet haute pression.
L'appareil se met hors tension lorsque le levier est relâché. La haute pression demeure dans le système.
2. Verrouiller le levier du pistolet haute pression.



3. Mettre l'appareil hors tension « 0/ OFF » dans le cas de pauses de travail excédant 5 minutes.

Terminer l'utilisation

⚠ PRÉCAUTION

Risque de blessures dues à l'eau éjectée sous haute pression !

Blessures

Ne séparer le flexible haute pression du pistolet haute pression ou de l'appareil que lorsque le système est hors pression.

1. Relâcher le levier du pistolet haute pression.
2. Fermer le robinet d'eau.
3. Appuyer sur le levier du pistolet haute pression pendant 30 secondes.
La pression résiduelle du système est évacuée.
4. Relâcher le levier du pistolet haute pression.
5. Verrouiller le levier du pistolet haute pression.

6. Mettre l'appareil hors pression « 0/ OFF ».
7. Couper l'appareil de l'alimentation en eau.
8. Retirer la fiche secteur de la prise de courant.

Transport

⚠ PRÉCAUTION

Risque de blessures et d'endommagement dus au poids de l'appareil !

Risque de blessures et de dommages. Observez le poids de l'appareil pour le transport et le stockage.

Porter l'appareil

1. Soulever et porter l'appareil par la poignée de transport.

Transport de l'appareil dans un véhicule

1. Empêcher l'appareil de glisser et de se renverser.

Stockage

⚠ PRÉCAUTION

Risque de blessures et d'endommagement dus au poids de l'appareil !

Risque de blessures et de dommages. Observez le poids de l'appareil pour le transport et le stockage.

Rangement de l'appareil

1. Placer l'appareil sur une surface plane.
2. Séparer la lance avec buse haute pression de la rallonge de lance.
3. Débrancher la rallonge de lance du pistolet haute pression.
4. Ranger la lance et la rallonge dans les rangements appropriés.
5. Séparer le flexible haute pression de l'appareil.
6. Débrancher le flexible haute pression du pistolet haute pression.

7. Ranger le tuyau haute pression et le pistolet haute pression sur l'appareil.
8. Ranger le câble d'alimentation électrique sur l'appareil.

Avant d'effectuer un stockage de longue durée, tenir compte des remarques additionnelles, voir le chapitre Entretien et Maintenance.

Protection antigel

ATTENTION

Risque d'endommagement !

Endommagement de l'appareil et des accessoires dû au gel de l'eau.

Videz entièrement l'appareil et les accessoires après chaque utilisation.

Protégez l'appareil et les accessoires des températures inférieures ou égales à 0 °C (32 °F).

1. Couper l'alimentation en eau de l'appareil.
2. Démonter le flexible haute pression de l'appareil.
3. Mettre l'appareil sous tension (« I/ ON »).
4. Attendre maximum 1 minute jusqu'à ce que de l'eau ne sorte plus du raccord haute pression.
5. Éteindre l'appareil (« 0/OFF »).
6. Ranger l'appareil et les accessoires dans un local à l'abri du gel.

Entretien et maintenance

⚠ DANGER

Risque d'électrocution

Blessures dues au contact avec des pièces sous tension

Mettre l'appareil hors tension.

Débrancher la fiche secteur.

L'appareil est exempt de maintenance, c.-à-d. qu'il est inutile d'effectuer des travaux de maintenance réguliers.

Nettoyer le filtre dans le raccord d'alimentation en eau

ATTENTION

Risque d'endommagement !

Endommagement du tamis dû à un nettoyage inapproprié.

Ne nettoyez le tamis qu'à l'eau courante, dans le sens inverse de son écoulement.

N'utilisez pas d'objets pointus ou durs, tels que des aiguilles ou des brosses métalliques.

ATTENTION

Risque d'endommagement !

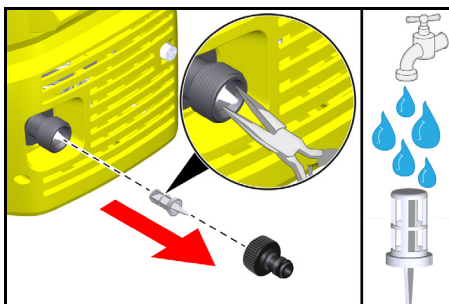
Endommagement de l'appareil et des accessoires en cas de fonctionnement sans tamis ou avec un tamis abîmé.

Contrôler si le tamis n'est pas endommagé avant de le placer dans le raccord d'alimentation en eau. Remplacez immédiatement tout tamis abîmé.

Ne faites pas fonctionner pas l'appareil sans tamis.

Nettoyer si nécessaire le tamis dans le raccord d'alimentation en eau.

1. Dévisser le raccord sur le raccord d'alimentation en eau.
2. Sortir le tamis.

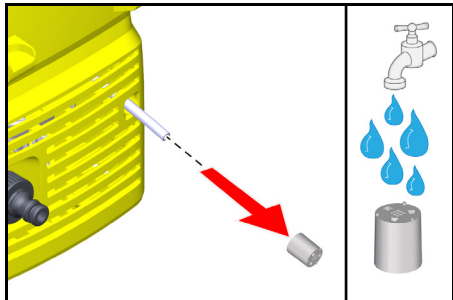


3. Nettoyer le tamis à l'eau courante.
4. Mettre le tamis en place dans le raccord d'alimentation en eau.

Nettoyer le filtre du détergent

Nettoyer le filtre pour détergent avant tout stockage de longue durée.

1. Retirer le filtre du flexible d'aspiration du détergent.
2. Nettoyer le filtre à l'eau courante.



Dépannage en cas de défaut

Les défauts ont souvent des causes simples que vous pouvez vous-même éliminer à l'aide de l'aperçu suivant. En cas de doute, ou en absence de mention des défauts, veuillez vous adresser au service après-vente autorisé.

⚠ DANGER

Danger de mort !

Blessures mortelles par électrocution en cas de contact avec des pièces conductrices de tension.

Ne touchez aucune pièce conductrice de tension.

Mettre l'appareil hors tension.

Retirez la fiche secteur de la prise secteur.

L'appareil ne fonctionne pas

1. Appuyer sur le levier du pistolet haute pression.
L'appareil démarre.
2. Vérifier si la tension indiquée sur la plaque signalétique correspond à la tension de la source de courant.
3. Vérifier si le câble d'alimentation électrique n'est pas endommagé.

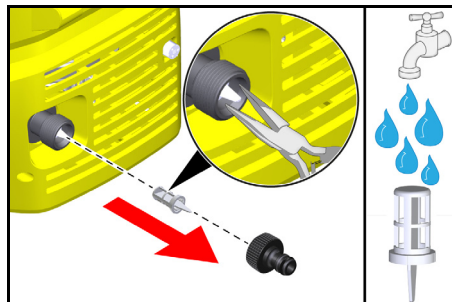
L'appareil ne se met pas sous pression

L'alimentation en eau est trop faible.

1. Ouvrir complètement le robinet d'eau.
2. S'assurer qu'un débit suffisant est appliqué sur l'arrivée d'eau.

Le tamis dans le raccord d'alimentation en eau est encrassé.

1. Sortir le tamis dans le raccord d'alimentation en eau à l'aide d'une pince plate.
2. Nettoyer le tamis à l'eau courante.



De l'air se trouve dans l'appareil.

1. Purger l'appareil :
 - a Mettre l'appareil sous tension pendant maximum 2 minutes sans raccorder la lance avec buse haute pression.
 - b Appuyer sur le pistolet haute pression et attendre que l'eau sorte de la rallonge de lance sans faire de bulles.
 - c Raccorder la lance avec la buse haute pression.

Fortes variations de pression

1. Nettoyer la buse haute pression :
 - a Retirer les salissures de l'orifice de la buse au moyen d'une épingle.
 - b Rincer la buse haute pression par l'avant avec de l'eau.
2. Contrôler le débit d'alimentation de l'eau.

L'appareil n'est pas étanche.

1. Une faible fuite de l'appareil est purement technique. En cas de forte

fuite, commissionner le Service après-vente autorisé.

Le détergent n'est pas aspiré

1. Séparer la lance avec buse haute pression de la rallonge de lance et ne travailler qu'avec la rallonge de lance montée.
2. Nettoyer le filtre sur le flexible d'aspiration du détergent.
3. Vérifier si le flexible d'aspiration du détergent n'est pas plié.

Caractéristiques techniques

Raccordement électrique

Tension	V	120
Phase	~	1
Fréquence	Hz	60
Puissance raccordée	kW	1,49
Type de protection		IPX5
Classe de protection	☐	II

Raccord d'alimentation en eau

Pression d'alimentation (max.)	MPa psi	1,2 175
Température d'alimentation (max.)	°C °F	40 104
Débit d'alimentation (min.)	l/min gpm	7 1.8

Caractéristiques de puissance de l'appareil

Pression de service	MPa	10
Suppression de service (max.)	MPa psi	11,7 1700
Débit, eau	l/min	4,7
Débit maximal	l/min gpm	5,5 1.45
Débit, détergent	l/min gpm	0,3 0.08
Valeur de vibrations main-bras	m/s ²	1,8
Incertitude K	m/s ²	0,7
Niveau de pression acoustique L _{pA}	dB(A)	77
Incertitude K _{pA}	dB(A)	3

Dimensions et poids

Poids opérationnel typique	kg	5,3
Longueur	mm	188
Largeur	mm	206
Hauteur	mm	445

Sous réserve de modifications techniques.

Índice de contenidos

Avisos generales.....	29
Aplicación KÄRCHER Home & Garden	29
Atención al cliente.....	29
INTRUCCIONES DE SEGURIDAD ...	30
Responsabilidad del propietario/usuario	34
Dispositivos de seguridad	34
Symbols on the device	34
Uso previsto	34
Accesorios y repuestos	34
Volumen de suministro.....	34
Descripción del equipo.....	35
Montaje	36
Puesta en funcionamiento	36
Funcionamiento	37
Transporte.....	39
Almacenamiento	39
Conservación y mantenimiento.....	40
Ayuda en caso de fallos.....	41
Datos técnicos	42

LEA TODAS LAS INSTRUCCIONES ANTES DE UTILIZAR ESTE PRODUCTO

GUARDAR ESTAS INSTRUCCIONES

Avisos generales



Lea y siga estas manual de instrucciones originales y el capítulo de instrucciones de seguridad adjunto antes de utilizar el dispositivo por primera vez. Proceder acorde a. Conserve el manual de instrucciones originales para su uso posterior o para propietarios posteriores.

Aplicación KÄRCHER Home & Garden

Con la aplicación KÄRCHER Home & Garden se beneficiará de las siguientes ventajas al utilizar su equipo:

- Consejos de aplicación y conocimientos de expertos
- Información sobre el producto, resumen de accesorios y manual de instrucciones
- Asistencia y contacto para el servicio
- Tienda en línea: ofertas exclusivas y mucho más

Descargue KÄRCHER Home & Garden de su tienda de aplicaciones y registre cómodamente su producto.

Atención al cliente

Registro

Su dispositivo debe estar registrado para poder ayudarle con cualquier pregunta o problema que tenga. Puede registrar su dispositivo en www.karcher-register.com si se encuentra en EE. UU., en www.karcher.com/ca si se encuentra en Canadá, o en www.karcher.com/mx si se encuentra en México.

Garantía

Si tiene una reclamación de garantía, puede contactar al servicio de atención al cliente. Consulte la información de contacto que se indica a continuación para EE.UU., Canadá o México. DEBE proporcionar su comprobante de compra para presentar una reclamación de garantía por correo electrónico, teléfono o fax.

Servicio de postventa en EE. UU.

Puede ponerse en contacto con nuestro servicio de postventa por teléfono en el **1-800-537-4129** o a través de la página web **www.karcher-help.com**.

Atención al cliente en Canadá

Puede comunicarse con nuestro departamento de Atención al Cliente por teléfono al **1-800-465-4980** o en la página web **www.karcher.com/ca/support**.

Servicio al cliente en México

Puede comunicarse con nuestro departamento de Atención al Cliente por teléfono al **01-800-024-13-13** o en la página web **www.karcher.com/mx**.

INTRUCCIONES DE SEGURIDAD

Niveles de peligro

⚠ PELIGRO

- Aviso de un peligro inminente que produce lesiones corporales graves o la muerte.

⚠ ADVERTENCIA

- Aviso de una posible situación peligrosa que puede producir lesiones corporales graves o la muerte.

⚠ PRECAUCIÓN

- Aviso de una posible situación peligrosa que puede producir lesiones corporales leves.

CUIDADO

- Aviso de una posible situación peligrosa que puede producir daños materiales.

INSTRUCCIONES IMPORTANTES DE SEGURIDAD

⚠ PELIGRO

- Riesgo de asfixia. Mantenga la película del embalaje fuera del alcance de los niños.
- El servicio en atmósferas explosivas está prohibido.

⚠ ADVERTENCIA

Al utilizar este producto, es imprescindible seguir una precauciones básicas, incluidas las siguientes:

⚠ ADVERTENCIA

- Leer todas las instrucciones antes de usar este producto.
- Los limpiadores de alta presión no deben ser utilizados por niños ni por personal no capacitado.
- Este dispositivo no está diseñado para que lo usen niños y otras personas cuyas capacidades físicas, sensoriales o mentales o la falta de experiencia y conocimiento les impidan usar el aparato de manera segura sin la supervisión o instrucción de una persona responsable.
- Los niños deben ser supervisados por una persona responsable para asegurarse de que no jueguen con el dispositivo.
- Para reducir el riesgo de lesiones, se debe llevar a cabo una supervisión minuciosa si se utiliza cerca de niños.
- Es necesario saber cómo detener el producto y descargar la presión rápidamente. Es necesario familiarizarse completamente con los controles.

- Evite cualquier despiste, no pierda la concentración en su trabajo y aplique el sentido común al usar el producto.
- No manejar el producto si se está cansado o se encuentra bajo la influencia de las drogas, el alcohol o alguna medicación.
- Mantenga alejados a los niños y a cualquier acompañante mientras usa el producto. Las distracciones pueden hacer que pierda el control.
- No sobrepasar ni permanecer sobre sujeciones inestables. Mantenga el equilibrio y la estabilidad en todo momento, lo que le permitirá controlar mejor el producto en situaciones imprevistas.
- Seguir las instrucciones de mantenimiento especificadas en el manual.
- Este producto se suministra con un interruptor para circuitos con pérdida a tierra de clase A instalado en el conector del cable de alimentación de corriente. Si fuese necesario sustituir el conector o el cable, utilizar únicamente piezas de repuesto idénticas con protección GFCI.
- No utilice el dispositivo si un cable de alimentación o piezas importantes de la máquina están dañados, por ejemplo, dispositivos de seguridad, mangueras de alta presión, pistola pulverizadora.
- Este dispositivo puede producir altas presiones (si desea consultar los valores, véase Datos técnicos). Para evitar rupturas y lesiones, no utilice este dispositivo con componentes que tengan una presión de trabajo inferior a estos valores (incluidas, entre otras, pistolas pulverizadoras, mangueras y conexiones de mangueras).
- Si la conexión se realiza a un sistema de agua potable, el sistema debe estar protegido contra el refluo.
- El agua que ha pasado a través de un desconector se considera no potable.
- Riesgo de inyección o lesiones – No dirija el chorro de descarga hacia personas o animales.
- Los chorros de alta presión pueden ser peligrosos si no se usan adecuadamente. No dirigir el chorro hacia personas, animales, dispositivos eléctricos o hacia el producto.
- El chorro de alta presión no debe dirigirse hacia otras personas ni hacia el usuario con el objetivo de limpiar ropa o calzado.
- Las mangueras de alta presión, los accesorios y los acoplamientos son importantes para la seguridad del producto. Utilice únicamente mangueras de alta presión, accesorios y acoplamientos recomendados por el fabricante.
- Riesgo de lesiones oculares – El chorro puede salpicar o propulsar objetos. Utilice siempre protección ocular adecuada, como gafas de protección o pantalla facial, mientras pulveriza. (Las gafas de seguridad no proporcionan una protección total).
- Durante el uso de limpiadores de alta presión, pueden formarse aerosoles. La inhalación de aerosoles puede ser peligrosa para la salud.
- Dependiendo de la aplicación, pueden utilizarse boquillas blindadas para la limpieza a alta presión, lo que reducirá drásticamente la emisión de aerosoles hídricos. Sin embargo, no todas las aplicaciones permiten el uso de un dispositivo de este tipo. Si las boquillas blindadas no son aplicables para la protección contra aerosoles, puede ser necesaria una

mascarilla FFP 2 o equivalente, dependiendo del entorno de limpieza.

- Antes de reparar o limpiar el producto o de desmontar cualquier pieza, desconecte la alimentación, desenchufe el cable de alimentación y libere la presión.
- Riesgo de explosión: no pulverizar líquidos inflamables.
- No utilice ácidos, álcalis, disolventes ni ningún líquido o material inflamable o tóxico en este dispositivo. Estos productos pueden causar lesiones físicas al operador y daños irreversibles al dispositivo.
- Riesgo de electrocución - Inspeccione el cable antes de usarlo. No utilice el dispositivo si el cable está dañado, hágalo sustituir inmediatamente por un electricista o un servicio de postventa autorizado.
- Mantener todas las conexiones secas y alejadas del suelo.
- No manipular el conector con las manos mojadas.
- No pulverizar el spray sobre aparatos eléctricos y cables.
- No utilizar un cable de prolongación con este producto.
- Conectar el equipo únicamente a un circuito derivado individual.

PRECAUCIÓN

- La pistola ejerce fuerza hacia atrás, por lo que se debe sostener con ambas manos. El chorro de agua emitido provoca una fuerza de repulsión que actúa sobre la pistola de alta presión. Asegúrese de que tiene una base firme y de que sujeta firmemente la pistola de alta presión y la lanza de pulverización.
- El bloqueo de seguridad del gatillo de la pistola pulverizadora impide que el spray se accione accidentalmente.

Esta función de seguridad NO bloquea el spray en la posición de ENCENDIDO.

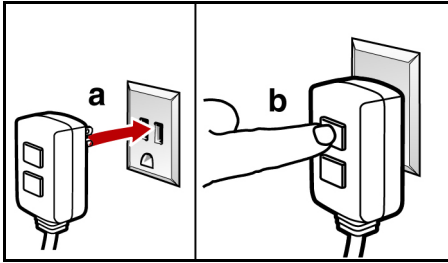
CUIDADO

- Este dispositivo ha sido diseñado para ser utilizado con los detergentes de limpieza recomendados por el fabricante. El uso de otros detergentes de limpieza puede afectar al funcionamiento del dispositivo y anular la garantía.

PROTECCIÓN MEDIANTE INTERRUPTOR DEL CIRCUITO DE FALLOS DE CONEXIÓN A TIERRA

Esta limpiadora de alta presión eléctrica está equipada con un Clase A interruptor de circuito por fallo a tierra (GFCI) integrado en el enchufe del cable de alimentación. Este dispositivo proporciona protección adicional contra el riesgo de descarga eléctrica. La Comisión para la Seguridad de los Productos de Consumo recomienda comprobar todos los GFCI una vez al mes. Dado que la frecuencia de uso de la limpiadora de alta presión varía, le recomendamos que compruebe el GFCI como parte del procedimiento de puesta en marcha cada vez que utilice la limpiadora de alta presión. Puede que sea necesario reajustarlo antes de trabajar con la limpiadora de alta presión. Para saber cómo realizar la prueba del GFCI y cómo restablecerlo, visite <http://www.karcher-help.com> y busque GFCI para obtener más instrucciones.

**NO UTILIZAR SI EL GFCI NO SUPE-
RA LA PRUEBA.**



AVISO: El aspecto real del GFCI puede ser diferente al de esta ilustración.

MANTENIMIENTO DE LOS EQUIPOS DOTADOS DE DOBLE AISLAMIENTO

Un aparato dotado de doble aislamiento incorpora dos sistemas de aislamiento en lugar de la puesta a tierra. Es decir, los equipos dotados de doble aislamiento no incorporan ningún conductor ni dispositivo de puesta a tierra ni hay que acoplar adicionalmente a los mismos una puesta a tierra. Los trabajos de mantenimiento de un equipo dotado de un sistema de doble aislamiento requieren unos conocimientos particularmente amplios y completos de dicho dispositivo y del aparato en cuestión, debiendo ser ejecutados exclusivamente por personal especializado del Servicio Técnico Postventa Oficial. En caso de tener que sustituir piezas o componentes defectuosos del sistema de doble aislamiento, las piezas de repuesto deberán ser idénticas a las piezas defectuosas que deben sustituir. Los artefactos con doble aislamiento están marcados "DOUBLE INSULATION" o "DOUBLE INSULATED". También podría tener el símbolo "□".

SUMINISTRO DE AGUA (solo agua fría)

⚠ PRECAUCIÓN

Al conectar la toma de agua con la red de suministro de agua, deben respetarse las normativas locales de su compañía suministradora de agua.

En algunas zonas, la unidad no debe conectarse directamente al suministro público de agua potable. Así se garantiza que no se produzca una retroalimentación de sustancias químicas al suministro de agua.

Se permite la conexión directa a través de un depósito receptor o un antirretorno, por ejemplo.

- La suciedad en el agua de alimentación dañará el equipo. Para evitar este riesgo, recomendamos instalar un filtro de agua.
- No utilice nunca la limpiadora de alta presión para aspirar agua contaminada con disolventes, como disolventes de pintura, gasolina, aceite, etc.
- Evite siempre que entren residuos en el equipo utilizando una fuente de agua limpia.

Responsabilidad del propietario/usuario

El propietario y/o el usuario deben haber comprendido las instrucciones de funcionamiento y las advertencias del fabricante antes de utilizar la limpiadora a presión.

Deben resaltarse y comprenderse los avisos de advertencia.

Si el operario no sabe inglés, el comprador/propietario deberá leer y comentar las instrucciones y las advertencias del fabricante con el operario en la lengua materna de este, asegurándose de que comprende todo el contenido.

El propietario y/o el usuario deberá analizar y guardar las instrucciones del fabricante para poder consultarlas en un futuro.

Dispositivos de seguridad

PRECAUCIÓN

Peligro lesiones por dispositivos de seguridad faltantes o modificados

Los dispositivos de seguridad velan por su seguridad.

No anule, retire o deje sin efecto ningún dispositivo de seguridad.

Interruptor del equipo

El interruptor del equipo impide el funcionamiento involuntario del equipo.

Cierre de la pistola de alta presión

El cierre bloquea la palanca de la pistola de alta presión y evita el arranque involuntario del equipo.

Función de parada automática

Cuando se suelta la palanca de la pistola de alta presión, el interruptor de presión desconecta la bomba y se para el chorro de alta presión. Al presionar la palanca, vuelve a conectarse la bomba.

Symbols on the device



No dirigir el chorro de alta presión hacia personas, animales o equipamiento eléctrico activo ni apuntar con él al propio equipo.

Proteger el equipo de las heladas.

Uso previsto

Solo para uso doméstico.

La limpiadora de alta presión está diseñada para limpiar máquinas, vehículos, estructuras, herramientas, fachadas, terrazas, herramientas de jardín, etc. con chorros de agua a alta presión.

Accesorios y repuestos

Utilice únicamente accesorios y repuestos originales, estos garantizan un servicio seguro y fiable del equipo. Encontrará información sobre los accesorios y repuestos en www.kaercher.com.

Volumen de suministro

El volumen de suministro del equipo se muestra en el embalaje. Compruebe la integridad del volumen de suministro durante el desembalaje. Póngase en contacto con su distribuidor si faltan accesorios o en caso de daños de transporte.

Descripción del equipo



- | | |
|---|--|
| ① Conexión de mangueras de riego | ⑩ Pistola de alta presión |
| ② Acoplamiento de la conexión de agua | ⑪ Abrazadera para conectar/desconectar la manguera de alta presión |
| ③ Conexión de agua con tamiz integrado | ⑫ Palanca de pistola de alta presión |
| ④ Cable de conexión de red con conector de red | ⑬ Cierre de la pistola de alta presión |
| ⑤ Manguera de aspiración de detergente | ⑭ Manguera de alta presión |
| ⑥ Almacenaje para tubo pulverizador | ⑮ Interruptor del equipo «0/OFF»/«I/ON» |
| ⑦ Asa de transporte | ⑯ Conexión de alta presión |
| ⑧ Tubo pulverizador con boquilla de alta presión para tareas de limpieza normales | ⑰ Placa de características |
| ⑨ Prolongación de tubos pulverizadores | ⑱ *Manguera de riego (reforzada con tela, diámetro de al menos 1/2 pulgadas (13 mm), longitud de al menos 7,5 m) |

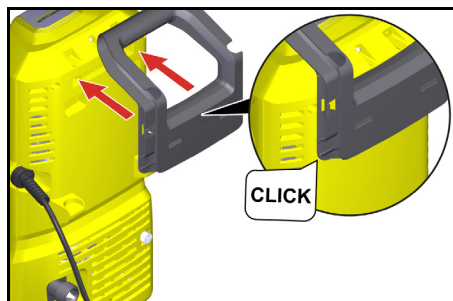
* se necesita de manera adicional

Montaje

Antes de la puesta en funcionamiento, montar en el equipo las piezas que se suministran sueltas.

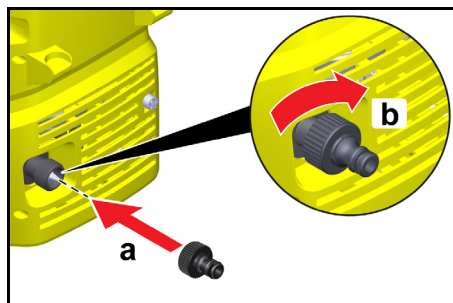
Montaje de la empuñadura

1. Enganchar el asa de transporte.



Montaje del acoplamiento de la conexión de agua

1. Enrosque el acoplamiento de la conexión de agua en dicha conexión del equipo.



Puesta en funcionamiento

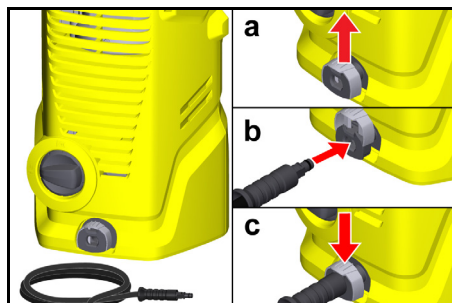
1. Colocar el equipo sobre una superficie plana.

CUIDADO

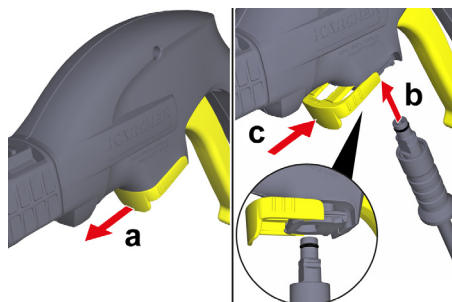
Peligro de daños durante el servicio con la manguera de alta presión enrollada.

Daños en la manguera de alta presión. Desenrollar por completo la manguera de alta presión y tenderla sin nudos, bucles ni torceduras antes de poner en funcionamiento el equipo.

2. Desenrollar por completo la manguera de alta presión y estirarla sin nudos, bucles y torceduras.
3. Conectar la manguera de alta presión al equipo.
 - a Levantar la abrazadera del acoplamiento.
 - b Introducir la manguera de alta presión en el acoplamiento.
 - c Presionar hacia abajo la abrazadera en el acoplamiento.



4. Conectar la manguera de alta presión a la pistola de alta presión.
 - a Extraer la abrazadera de la pistola de alta presión.
 - b Insertar la manguera de alta presión.
 - c Presionar la abrazadera hasta encajarla.



5. Comprobar que las conexiones son seguras tirando de la manguera de alta presión.
6. Conectar el conector de red a un enchufe.

Alimentación de agua

Para consultar los valores de conexión, véase la placa de características o el apartado *Datos técnicos*.

Respete las normas de la empresa de suministro de agua.

CUIDADO

Daños por agua sucia

La suciedad en el agua puede dañar la bomba y los accesorios.

Para protegerlos, KÄRCHER recomienda usar su filtro de agua (accesorio especial, referencia de pedido 4.730-059).

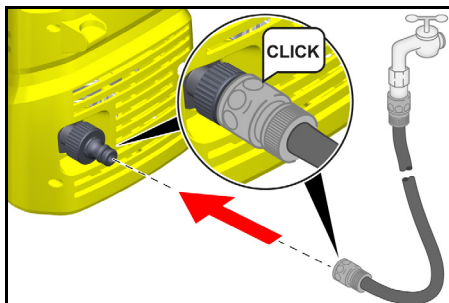
Conexión al conducto de agua

CUIDADO

Peligro de daños al utilizar acoplamientos de manguera fabricados con latón y con función AquaStop de otros proveedores.

Daños en la bomba de alta presión. Utilizar únicamente acoplamientos de manguera con/sin función AquaStop de Kärcher, acoplamientos de manguera sin función AquaStop o acoplamientos de manguera de plástico con función AquaStop de otros proveedores.

1. Colocar el acoplamiento de mangueras suministrado en el extremo de la manguera de riego.
2. Insertar la manguera de riego en el acoplamiento de la conexión de agua.
3. Conectar la manguera de riego al conducto de agua.
4. Abrir el grifo de agua por completo.



Funcionamiento

CUIDADO

Peligro de daños.

Daños en la bomba tras marcha en vacío.

Desconecte el equipo si no acumula presión en 2 minutos.

Actúe según las instrucciones del capítulo *Ayuda en caso de fallos*.

Funcionamiento con alta presión

CUIDADO

Peligro de daños si la distancia con la boquilla de pulverizado es demasiado corta o si se utiliza un tubo pulverizador inadecuado.

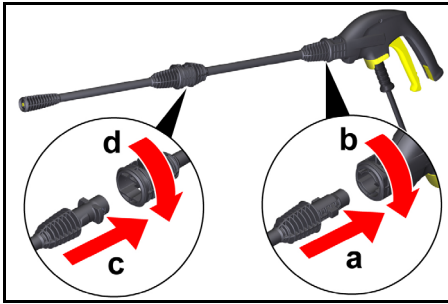
Daños en superficies pintadas o sensibles.

Mantenga una distancia con la boquilla de pulverizado de al menos 30 cm al limpiar superficies pintadas.

Utilizar únicamente tubos pulverizadores adecuados.

1. Conectar la pistola de alta presión a los tubos pulverizadores.
 - a Insertar la prolongación de tubos pulverizadores en la pistola de alta presión.
 - b Fijar girando 90°.
 - c Insertar el tubo pulverizador con boquilla de alta presión en la prolongación de tubos pulverizadores.

d Fijar girando 90°.



2. Conectar el equipo («I/ON»).
3. Desbloquear la palanca de la pistola de alta presión.
4. Presionar la palanca de la pistola de alta presión.
El equipo se conecta.

Funcionamiento con detergente

⚠ PELIGRO

Riesgo de lesiones por detergentes

Problemas de salud graves por un uso inadecuado de detergentes.

Tenga en cuenta la hoja de datos de seguridad del fabricante del detergente.

Usar el equipo de protección personal especificado.

Nota

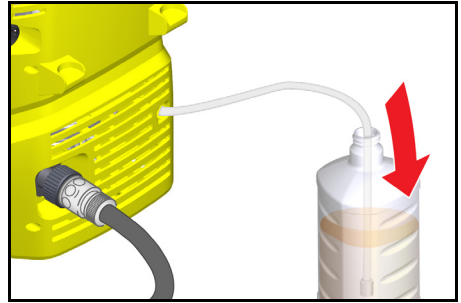
Los detergentes KÄRCHER garantizan un funcionamiento sin averías. Solicite el asesoramiento oportuno o pida nuestro catálogo o nuestra hoja informativa sobre detergentes.

Nota

El detergente solo se puede añadir al utilizar baja presión.

1. Extraer la manguera de aspiración de detergente de la carcasa hasta alcanzar la longitud deseada.

2. Colgar la manguera de aspiración de detergente en un recipiente con solución de detergente.



3. Separar el tubo pulverizador con boquilla de alta presión de la prolongación de tubos pulverizadores y trabajar únicamente con la prolongación de tubos pulverizadores montada.
Durante el funcionamiento, se añade la solución de detergente al chorro de agua.

Métodos de limpieza recomendados

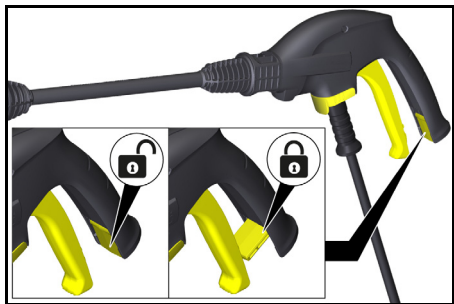
1. Pulverizar poco detergente sobre la superficie seca y dejar que actúe (no secar).
2. Lavar la suciedad desprendida con el chorro de alta presión.

Tras el funcionamiento con detergente

1. Enjuague el equipo con agua limpia durante unos 30 segundos.

Interrupción del funcionamiento

1. Soltar la palanca de la pistola de alta presión.
Al soltar la palanca, el equipo se desconecta. Se mantiene la alta presión en el sistema.
2. Bloquear la palanca de la pistola de alta presión.



3. Desconectar el equipo con «0/OFF» durante las pausas de trabajo de más de 5 minutos.

Finalización del servicio

⚠ PRECAUCIÓN

Peligro de lesiones por la salida descontrolada de agua a alta presión.

Lesiones

Desconectar la manguera de alta presión de la pistola de alta presión o del equipo únicamente cuando no haya nada de presión en el sistema.

1. Soltar la palanca de la pistola de alta presión.
2. Cerrar el grifo de agua.
3. Presionar la palanca de la pistola de alta presión durante 30 segundos.
Se elimina toda la presión que queda en el sistema.
4. Soltar la palanca de la pistola de alta presión.
5. Bloquear la palanca de la pistola de alta presión.
6. Desconectar el equipo con «0/OFF».

7. Desconectar el equipo de la alimentación de agua.
8. Desenchufar el conector de red del enchufe.

Transporte

⚠ PRECAUCIÓN

Peligro de daños y lesiones por el peso del equipo.

Peligro de lesiones y daños.

Tener en cuenta el peso del equipo para su transporte y almacenamiento.

Transporte del equipo

1. Levante y transporte el equipo agarrándolo por el asa de transporte.

Transporte del equipo en vehículo

1. Asegurar el equipo para evitar que se desplace o vuelque.

Almacenamiento

⚠ PRECAUCIÓN

Peligro de daños y lesiones por el peso del equipo.

Peligro de lesiones y daños.

Tener en cuenta el peso del equipo para su transporte y almacenamiento.

Almacenaje del equipo

1. Depositar el equipo sobre una superficie plana.
2. Desconectar el tubo pulverizador con boquilla de alta presión de la prolongación de tubos pulverizadores.
3. Desconectar la prolongación de tubos pulverizadores de la pistola de alta presión.
4. Almacenar el tubo pulverizador y la prolongación de tubos pulverizadores en los almacenajes correspondientes.
5. Desconectar la manguera de alta presión del equipo.

- Desconectar la manguera de alta presión de la pistola de alta presión.
- Guardar la manguera de alta presión y la pistola de alta presión en el equipo.
- Almacenar el cable de conexión de red en el equipo.

Tener en cuenta las instrucciones adicionales si se va a almacenar el equipo durante un periodo de tiempo prolongado; véase el capítulo sobre Conservación y mantenimiento.

Protección anticongelante

CUIDADO

Peligro de daños.

Daños en el equipo y los accesorios debidos a la congelación del agua. Vacíe completamente el equipo y los accesorios después de cada uso. Proteja el equipo y los accesorios de temperaturas inferiores o iguales a 0 °C (32 °F).

- Desconectar el equipo de la alimentación de agua.
- Desmontar la manguera de alta presión del equipo.
- Conectar el equipo («I/ON»).
- Esperar 1 minuto como máximo hasta que ya no salga agua de la conexión de alta presión.
- Desconectar el equipo (0/OFF).
- Guarde el equipo y los accesorios en una sala protegida de heladas.

Conservación y mantenimiento

⚠ PELIGRO

Peligro de choques eléctricos

Lesiones al tocar piezas que conducen corriente

Desconecte el equipo.

Desconecte el conector de red.

El equipo no requiere mantenimiento, es decir, no es necesario llevar a cabo

trabajos de mantenimiento de forma periódica.

Limpieza del tamiz de la conexión de agua

CUIDADO

Peligro de daños.

Daños en el tamiz debido a una limpieza inadecuada.

Limpie el tamiz fino solo con agua corriente en sentido contrario a su caudal.

No utilice objetos afilados o duros, como p. ej., agujas o cepillos de alambre.

CUIDADO

Peligro de daños.

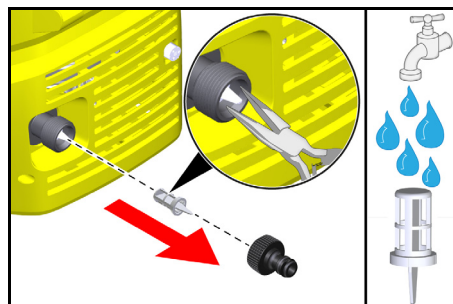
Daños en el aparato y los accesorios al funcionar sin tamiz o con un tamiz dañado.

Antes de colocarlo en la conexión de agua, compruebe si el tamiz presenta daños. Sustituya inmediatamente un tamiz dañado.

No utilice el equipo sin el tamiz.

Limpiar el tamiz de la conexión de agua en caso necesario.

- Desenroscar el acoplamiento de la toma de agua.
- Extraer el tamiz.

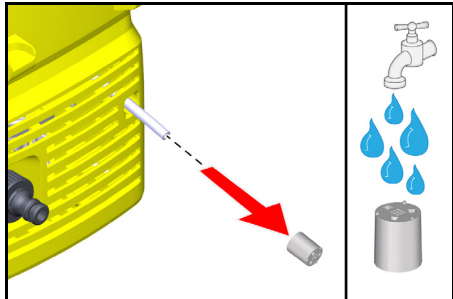


- Limpiar el tamiz con agua corriente.
- Colocar el tamiz en la conexión de agua.

Limpeza del filtro de detergente

Limpiar el filtro de detergente si se va almacenar durante un tiempo prolongado.

1. Retirar el filtro de la manguera de aspiración de detergente.
2. Limpiar el filtro con agua corriente.



Ayuda en caso de fallos

A menudo, las causas de los fallos son simples y pueden solucionarse con ayuda del siguiente resumen. En caso de duda o fallos no mencionados aquí, póngase en contacto con el servicio de posventa.

⚠ PELIGRO

Peligro de muerte

Lesiones mortales por descarga eléctrica al tocar piezas bajo tensión.

No toque ninguna pieza con tensión.

Desconecte el equipo.

Desenchufe el conector de red del tomacorriente.

El equipo no funciona

1. Presionar la palanca de la pistola de alta presión.
El equipo se conecta.
2. Comprobar si la tensión indicada en la placa de características coincide con la tensión de la fuente de corriente.
3. Comprobar si el cable de conexión de red presenta daños.

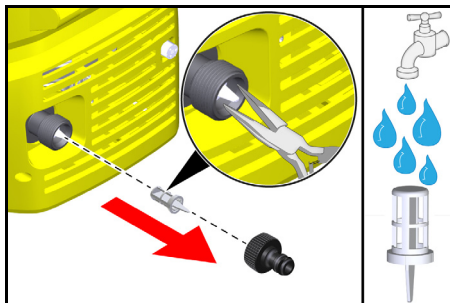
El equipo no genera presión

La entrada de agua es insuficiente.

1. Abrir el grifo de agua por completo.
2. Comprobar que la entrada de agua cuenta con el volumen transportado suficiente.

El tamiz de la conexión de agua está sucio.

1. Extraer el tamiz de la conexión de agua con un alicate de boca plana.
2. Limpiar el tamiz con agua corriente.



Hay aire en el equipo.

1. Purgar el equipo:
 - a Conectar el equipo sin el tubo pulverizador con la boquilla de alta presión durante un máximo de 2 minutos.
 - b Presionar la pistola de alta presión y esperar hasta que el agua salga sin burbujas de la prolongación de tubos pulverizadores.
 - c Conectar el tubo pulverizador con la boquilla de alta presión.

Fuertes variaciones de presión

1. Limpie la boquilla de alta presión:
 - a Elimine la suciedad del taladro de boquilla con ayuda de una aguja.
 - b Enjuague la boquilla de alta presión con agua desde la parte frontal.
2. Compruebe el volumen de entrada de agua.

Equipo no estanco

1. Desde un punto de vista técnico, el equipo puede presentar una pequeña falta de estanqueidad. En caso

de que la falta de estanqueidad sea más grave, informe al servicio de posventa.

No se aspira el detergente

1. Separar el tubo pulverizador con boquilla de alta presión de la prolongación de tubos pulverizadores y trabajar únicamente con la prolongación de tubos pulverizadores montada.
2. Limpiar el filtro de la manguera de aspiración de detergente.
3. Comprobar si la manguera de aspiración de detergente presenta puntos de flexión.

Datos técnicos

Conexión eléctrica

Tensión	V	120
Fase	~	1
Frecuencia	Hz	60
Potencia conectada	kW	1,49
Tipo de protección		IPX5
Clase de protección	□	II

Conexión de agua

Presión de entrada (máx.)	MPa psi	1,2 175
Temperatura de entrada (máx.)	°C °F	40 104
Volumen de entrada (mín.)	l/min gpm	7 1.8

Datos de potencia del equipo

Presión de servicio	MPa	10
Sobrepresión de servicio (máx.)	MPa psi	11,7 1700
Volumen transportado, agua	l/min	4,7
Volumen transportado máximo	l/min gpm	5,5 1.45
Volumen transportado, detergente	l/min gpm	0,3 0.08
Nivel de vibraciones mano-brazo	m/s ²	1,8
Inseguridad K	m/s ²	0,7
Nivel de presión acústica L _{pA}	dB(A)	77
Inseguridad K _{pA}	dB(A)	3

Peso y dimensiones

Peso de servicio típico	kg	5,3
Longitud	mm	188
Anchura	mm	206
Altura	mm	445

Nos reservamos el derecho a realizar modificaciones.

