

Industrial and Trade Tool Merchandising







Trusted Brands.  
Quality Products.

**ARMSTRONG**  
INDUSTRIAL HAND TOOLS

Full line of US-made industrial hand tools



**GEARWRENCH**

Full line of industrial and automotive hand tools



**Lufkin**

Industrial measuring rules, tapes, and wheels



**CRESCENT**

Wrenches, pliers, screwdrivers, mechanics hand tools, and tool sets



**Plumb**

Claw hammers and specialty hammers/hatchets



**NICHOLSON**

Industrial files, rasps, saws, and accessories



**HKP**

Manual, hydraulic, and pneumatic cutters



**Wiss**

Aviation snips, industrial shears, and knives



**Jacobs**  
CHUCK

Drill chucks, keys, and industrial tool holders



**Weller**

Soldering, rework, and fume extraction products



**Erem**

High precision tweezers, cutters, and pliers



**Xcelite**

Precision service technician tools and tool kits



**CAMPBELL**  
CHAIN & FITTINGS

Chain, Fittings, Blocks and Clamps



**JOBBOX**

On-site tool storage, flammable liquids storage



**ALLEN**  
INDUSTRIAL TOOLS

T-handle, L-key, and fold-up hex wrenches



Printed in U.S.A.  
Copyright © 2015 Apex Tool Group.  
All rights reserved.  
Printed 2/14

14600 York Road, Suite A  
Sparks, Maryland 21152  
Phone: 800-688-8949  
Fax: 877-356-2951  
[www.apextoolgroup.com](http://www.apextoolgroup.com)

Providing mechanics tools, trade tools, specialty tools, chain, and more to a broad range of industrial maintenance, commercial and residential construction, automotive repair, and consumer customers worldwide.

<b>TABLE OF CONTENTS</b>	<b>PAGES</b>
New Crescent Mechanics Hand Tools	4 - 9
GearWrench Ratcheting Wrenches and Automotive Specialty Tools	10 - 20
Trade Tool Displays	21 - 40
• Floor Displays	29 - 32
Chain Displays	41 - 51
Chain Accessories	52 - 63

For Pricing and Drop Ship Information, contact your Apex Tool Group Sales Representative.  
Listings subject to change.



Part # **CMHT38**

**CRESCENT 52 PIECE 3/8" DRIVE WATERFALL**

DOES NOT COME WITH PEG BOARD



CAT NO.	QTY	DESCRIPTION
CDS24	2	3/8" Drive 5/16" Socket - 12 pt
CDS25	2	3/8" Drive 3/8" Socket - 12 pt
CDS26	2	3/8" Drive 7/16" Socket - 12 pt
CDS27	2	3/8" Drive 1/2" Socket - 12 pt
CDS28	2	3/8" Drive 9/16" Socket - 12 pt
CDS29	2	3/8" Drive 5/8" Socket - 12 pt
CDS30	2	3/8" Drive 11/16" Socket - 12 pt
CDS31	2	3/8" Drive 3/4" Socket - 12 pt
CDS32	2	3/8" Drive 13/16" Socket - 12 pt
CDS33	2	3/8" Drive 7/8" Socket - 12 pt
CSPS0	2	3/8" Drive 5/8" Sparkplug Socket
CSPS2	2	3/8" Drive 13/16" Sparkplug Socket
CDS39	2	3/8" Drive 9mm Socket - 12 pt
CDS40	2	3/8" Drive 10mm Socket - 12 pt
CDS41	2	3/8" Drive 11mm Socket - 12 pt
CDS42	2	3/8" Drive 12mm Socket - 12 pt
CDS43	2	3/8" Drive 13mm Socket - 12 pt
CDS44	2	3/8" Drive 14mm Socket - 12 pt
CDS45	2	3/8" Drive 15mm Socket - 12 pt
CDS46	2	3/8" Drive 16mm Socket - 12 pt
CDS47	2	3/8" Drive 17mm Socket - 12 pt
CDS48	2	3/8" Drive 18mm Socket - 12 pt
CDS49	2	3/8" Drive 19mm Socket - 12 pt

**CRESCENT 47 PIECE 1/4" DRIVE WATERFALL**

- Crescent professional tool set feature 72-tooth ratchet drives for a 5° swing that is perfect in tight spaces.
- Perfect for homeowners and professionals
- Dimensions: 21" Wide, 27" Long
- All tools are industrial quality and meet stringent ANSI and ASME specifications
- Each display contains two pieces of each item

CAT NO.	QTY	DESCRIPTION
CDS51	2	3/8" Drive 21mm Socket - 12 pt
CDDS39	2	3/8" Drive 9mm Deep Socket - 6 pt
CDDS40	2	3/8" Drive 10mm Deep Socket - 6 pt
CDDS41	2	3/8" Drive 11mm Deep Socket - 6 pt
CDDS42	2	3/8" Drive 12mm Deep Socket - 6 pt
CDDS43	2	3/8" Drive 13mm Deep Socket - 6 pt
CDDS44	2	3/8" Drive 14mm Deep Socket - 6 pt
CDDS45	2	3/8" Drive 15mm Deep Socket - 6 pt
CDDS46	2	3/8" Drive 16mm Deep Socket - 6 pt
CDDS47	2	3/8" Drive 17mm Deep Socket - 6 pt
CDDS48	2	3/8" Drive 18mm Deep Socket - 6 pt
CDDS49	2	3/8" Drive 19mm Deep Socket - 6 pt
CRW6	2	3/8" Drive, 72 Tooth, Quick Release w/ Polished Handle
CRW7	2	3/8" Drive, 72 Tooth, Quick Release, w/ Dual Material Handle 85"
CDTA8	2	3/8" Drive, 3" Extension
CDTA9	2	3/8" Drive, 6" Extension
CDTA10	2	3/8" Drive, 10" Extension
CRW15	2	3/8" Flex Handle, 10" Breaker Bar
CDTA1	2	3/8" F x 1/4" M Adapter
CDTA2	2	3/8" F x 1/2" M Adapter
CDTA17	2	3/8" Drive, Universal Joint
CDDS25	2	3/8" Drive 3/8" Deep Socket - 6 pt
CDDS26	2	3/8" Drive 7/16" Deep Socket - 6 pt
CDDS27	2	3/8" Drive 1/2" Deep Socket - 6 pt
CDDS28	2	3/8" Drive 9/16" Deep Socket - 6 pt
CDDS29	2	3/8" Drive 5/8" Deep Socket - 6 pt
CDDS30	2	3/8" Drive 11/16" Deep Socket - 6 pt
CDDS31	2	3/8" Drive 3/4" Deep Socket - 6 pt
CDDS32	2	3/8" Drive 13/16" Deep Socket - 6 pt
CDDS33	2	3/8" Drive 7/8" Deep Socket - 6 pt
	1	Display Rack and Backer

Part # **CMHT14**

**CRESCENT 47 PIECE 1/4" DRIVE WATERFALL**

DOES NOT COME WITH PEG BOARD



ATG CATALOG #	QTY	DESCRIPTION
CDS1	2	1/4" Drive 3/16" Socket - 6 pt
CDS2	2	1/4" Drive 7/32" Socket - 6 pt
CDS3	2	1/4" Drive 1/4" Socket - 6 pt
CDS4	2	1/4" Drive 9/32" Socket - 6 pt
CDS5	2	1/4" Drive 5/16" Socket - 6 pt
CDS6	2	1/4" Drive 11/32" Socket - 6 pt
CDS7	2	1/4" Drive 3/8" Socket - 6 pt
CDS8	2	1/4" Drive 7/16" Socket - 6 pt
CDS9	2	1/4" Drive 1/2" Socket - 6 pt
CDDS0	2	1/4" Drive 5/32" Deep Socket - 6 pt
CDDS1	2	1/4" Drive 3/16" Deep Socket - 6 pt
CDDS2	2	1/4" Drive 7/23" Deep Socket - 6 pt
CDDS3	2	1/4" Drive 1/4" Deep Socket - 6 pt
CDDS4	2	1/4" Drive 9/32" Deep Socket - 6 pt
CDDS5	2	1/4" Drive 5/16" Deep Socket - 6 pt
CDDS6	2	1/4" Drive 11/32" Deep Socket - 6 pt
CDDS7	2	1/4" Drive 3/8" Deep Socket - 6 pt
CDDS8	2	1/4" Drive 7/16" Deep Socket - 6 pt
CDDS9	2	1/4" Drive 1/2" Deep Socket - 6 pt
CDS11	2	1/4" Drive 4mm Socket - 6 pt
CDS12	2	1/4" Drive 5mm Socket - 6 pt
CDS13	2	1/4" Drive 6mm Socket - 6 pt
CDS14	2	1/4" Drive 7mm Socket - 6 pt
CDS15	2	1/4" Drive 8mm Socket - 6 pt
CDS16	2	1/4" Drive 9mm Socket - 6 pt
CDS17	2	1/4" Drive 10mm Socket - 6 pt
CDS18	2	1/4" Drive 11mm Socket - 6 pt
CDS19	2	1/4" Drive 12mm Socket - 6 pt
CDS20	2	1/4" Drive 13mm Socket - 6 pt
CDDS11	2	1/4" Drive 4mm Deep Socket - 6 pt
CDDS12	2	1/4" Drive 5mm Deep Socket - 6 pt
CDDS13	2	1/4" Drive 6mm Deep Socket - 6 pt
CDDS14	2	1/4" Drive 7mm Deep Socket - 6 pt
CDDS15	2	1/4" Drive 8mm Deep Socket - 6 pt
CDDS16	2	1/4" Drive 9mm Deep Socket - 6 pt
CDDS17	2	1/4" Drive 10mm Deep Socket - 6 pt
CDDS18	2	1/4" Drive 11mm Deep Socket - 6 pt
CDDS19	2	1/4" Drive 12mm Deep Socket - 6 pt

ATG CATALOG #	QTY	DESCRIPTION
CDDS20	2	1/4" Drive 13mm Deep Socket - 6 pt
CRW0	2	1/4" Drive, 72 Tooth, Quick Release w/ Polished Handle
CRW1	2	1/4" Drive, 72 Tooth, Quick Release, w/ Dual Material Handle
CDTA6	2	1/4" Drive, 3" Extension
CDTA7	2	1/4" Drive, 6" Extension
CRW4	2	1/4" Drive Spinner Handle
CRW5	2	1/4 Flex handl, 6"
CDTA0	2	1/4" F x 3/8" M Adapter
CDTA16	2	1/4" Drive, Universal Joint
	1	Display Rack and Backer

Part # **CMHTIN**

**CRESCENT 8 PIECE INNOVATION DISPLAY**

DOES NOT COME WITH PEG BOARD



ATG CATALOG #	QTY	DESCRIPTION
ATR28	1	Wrench, 8", Adjustable, Ratcheting
CX6PT20	1	Ratchet and Socket Set, 20 PC, SAE, MM
CX6RWS7	1	Wrench Set, 7 PC, Ratcheting Open End, SAE
CX6RWM7	1	Wrench Set, 7 PC, Ratcheting Open End, MM
CFW2	1	Folding Flip and Grip Wrench, Crescent
CX6DBM2	1	Wrench Set, 2 PC, DBL Box Ratcheting, MM
CX6DBS2	1	Ratcheting Wrench Set, 2 PC, 4in1, SAE, DB
ACL29VS	1	Crescent Lighted Adjustable Wrench



# DISPLAYS



Part # **CMHT12**

## CRESCENT 56 PIECE 1/2" DRIVE WATERFALL

DOES NOT COME WITH PEG BOARD



CAT NO.	QTY	DESCRIPTION
CDDS55	2	1/2" Drive 7/16" Deep Socket - 6pt
CDDS56	2	1/2" Drive 1/2" Deep Socket - 6pt
CDDS57	2	1/2" Drive 9/16" Deep Socket - 6pt
CDDS58	2	1/2" Drive 5/8" Deep Socket - 6pt
CDDS59	2	1/2" Drive 11/16" Deep Socket - 6 pt
CDDS60	2	1/2" Drive 3/4" Deep Socket - 6 pt
CDDS61	2	1/2" Drive 13/16" Deep Socket - 6pt
CDDS62	2	1/2" Drive 7/8" Deep Socket - 6pt
CDDS63	2	1/2" Drive 15/16" Deep Socket - 6 pt
CDDS64	2	1/2" Drive 1" Deep Socket - 6 pt
CDDS65	2	1/2" Drive 1-1/16" Deep Socket - 6pt
CDDS66	2	1/2" Drive 1-1/8" Deep Socket - 6pt
CDDS67	2	1/2" Drive 1-1/4" Deep Socket - 6 pt
CDS53	2	1/2" Drive 7/16" Socket - 12 pt
CDS54	2	1/2" Drive 1/2" Socket - 12 pt
CDS55	2	1/2" Drive 9/16" Socket - 12 pt

CAT NO.	QTY	DESCRIPTION
CDS56	2	1/2" Drive 5/8" Socket - 12 pt
CDS57	2	1/2" Drive 11/16" Socket - 12 pt
CDS58	2	1/2" Drive 3/4" Socket - 12 pt
CDS59	2	1/2" Drive 13/16" Socket - 12 pt
CDS60	2	1/2" Drive 7/8" Socket - 12 pt
CDS61	2	1/2" Drive 15/16" Socket - 12 pt
CDS62	2	1/2" Drive 1" Socket - 12 pt
CDS63	2	1/2" Drive 1-1/16" Socket - 12 pt
CDS64	2	1/2" Drive 1-1/8" Socket - 12 pt
CDS66	2	1/2" Drive 1-1/4" Socket - 12 pt
CSPS3	2	1/2" Drive 5/8" Sparkplug Socket
CSPS4	2	1/2" Drive 13/16" Sparkplug Socket
CDS72	2	1/2" Drive 12mm Socket - 12 pt
CDS73	2	1/2" Drive 13mm Socket - 12 pt
CDS74	2	1/2" Drive 14mm Socket - 12 pt
CDS75	2	1/2" Drive 15mm Socket - 12 pt
CDS76	2	1/2" Drive 16mm Socket - 12 pt
CDS77	2	1/2" Drive 17mm Socket - 12 pt
CDS78	2	1/2" Drive 18mm Socket - 12 pt
CDS79	2	1/2" Drive 19mm Socket - 12 pt
CDS80	2	1/2" Drive 20mm Socket - 12 pt
CDS81	2	1/2" Drive 21mm Socket - 12 pt
CDS82	2	1/2" Drive 22mm Socket - 12 pt
CDS84	2	1/2" Drive 24mm Socket - 12 pt
CDS87	2	1/2" Drive 27mm Socket - 12 pt
CDDS72	2	1/2" Drive 13mm Deep Socket - 6 pt
CDDS73	2	1/2" Drive 14mm Deep Socket - 6 pt
CDDS74	2	1/2" Drive 15mm Deep Socket - 6 pt
CDDS75	2	1/2" Drive 16mm Deep Socket - 6 pt
CDDS76	2	1/2" Drive 17mm Deep Socket - 6 pt
CDDS77	2	1/2" Drive 18mm Deep Socket - 6 pt
CDDS78	2	1/2" Drive 19mm Deep Socket - 6 pt
CDDS80	2	1/2" Drive 21mm Deep Socket - 6 pt
CRW12	2	1/2" Drive, 60-72 Tooth, Quick Release w/ Polished Handle
CRW13	2	1/2" Drive, 60-72 Tooth, Quick Release, w/ Dual Material Handle
CDTA11	2	1/2" Drive, 3" Extension
CDTA12	2	1/2" Drive, 5" Extension
CDTA13	2	1/2" Drive, 10" Extension
CRW16	2	1/2" Flex Handle 18" Length
CDTA3	2	1/2" F x 3/8" M Adapter
CDTA4	2	1/2" F x 3/4" M Adapter
CDTA18	2	1/2" Drive, Universal Joint
	1	Display Rack and Backer

Part # **CMHTCW**

**CRESCENT 32 PIECE  
COMBINATION WRENCH  
WATERFALL**

DOES NOT COME WITH PEG BOARD



CAT NO.	QTY	DESCRIPTION
CCW0	2	1/4" Combination Wrench
CCW1	2	5/16" Combination Wrench
CCW3	2	3/8" Combination Wrench
CCW4	2	7/16" Combination Wrench
CCW5	2	1/2" Combination Wrench
CCW6	2	9/16" Combination Wrench
CCW7	2	5/8" Combination Wrench
CCW8	2	11/16" Combination Wrench
CCW9	2	3/4" Combination Wrench
CCW10	2	13/16" Combination Wrench
CCW11	2	7/8" Combination Wrench
CCW12	2	15/16" Combination Wrench
CCW13	2	1" Combination Wrench
CCW14	2	1-1/16" Combination Wrench
CCW15	2	1-1/8" Combination Wrench
CCW16	2	1-1/4" Combination Wrench
CCW18	2	7mm Combination Wrench
CCW19	2	8mm Combination Wrench
CCW20	2	9mm Combination Wrench
CCW21	2	10mm Combination Wrench
CCW22	2	11mm Combination Wrench
CCW23	2	12mm Combination Wrench
CCW24	2	13mm Combination Wrench
CCW25	2	14mm Combination Wrench
CCW26	2	15mm Combination Wrench
CCW27	2	16mm Combination Wrench
CCW28	2	17mm Combination Wrench
CCW29	2	18mm Combination Wrench
CCW30	2	19mm Combination Wrench
CCW31	2	20mm Combination Wrench
CCW32	2	21mm Combination Wrench
CCW33	2	22mm Combination Wrench
	1	Display Rack and Backer

Part # **CMHT34**

**CRESCENT 23 PIECE 3/4"  
DRIVE DISPLAY**

DOES NOT COME WITH PEG BOARD



ATG CATALOG #	QTY	DESCRIPTION
CRW19	1	3/4"DR. Ratchet Handle
CRW20	1	3/4"DR. Extension Bar 4"
CRW21	1	3/4"DR. Extension Bar 8"
CRW22	1	3/4"DR. Extension Bar 16"
CRW23	1	3/4"DR. Flex Handle 19"
CRW24	1	3/4"DR. Sliding T Bar 18"
CDTA5	1	3/4" F X 12" M Adapter
CDS91	1	3/4"DR. 12PT Socket 7/8"
CDS92	1	3/4"DR. 12PT Socket 15/16"
CDS93	1	3/4"DR. 12PT Socket 1"
CDS94	1	3/4"DR. 12PT Socket 1-1/16"
CDS95	1	3/4"DR. 12PT Socket 1-1/8"
CDS97	1	3/4"DR. 12PT Socket 1-1/4"
CDS98	1	3/4"DR. 12PT Socket 1-5/16"
CDS99	1	3/4"DR. 12PT Socket 1-3/8"
CDS100	1	3/4"DR. 12PT Socket 1-7/16"
CDS101	1	3/4"DR. 12PT Socket 1-1/2"
CDS102	1	3/4"DR. 12PT Socket 1-5/8"
CDS103	1	3/4"DR. 12PT Socket 1-3/4"
CDS104	1	3/4"DR. 12PT Socket 1-11/16"
CDS105	1	3/4"DR. 12PT Socket 1-13/16"
CDS106	1	3/4"DR. 12PT Socket 1-7/8"
CDS107	1	3/4"DR. 12PT Socket 2"



**CRESCENT 21 PIECE SOCKET AND WRENCH SET DISPLAY**

- Crescent professional tool set feature 72-tooth ratchet drives for a 5° swing that is perfect in tight spaces.
- Perfect for homeowners and professionals
- All tools are industrial quality and meet stringent ANSI and ASME specifications
- Dimensions: 21" Wide, 27" Long

DOES NOT COME WITH PEG BOARD

Part # **CMHTSWS**

**CRESCENT 21 PIECE SOCKET AND WRENCH SET DISPLAY**

DOES NOT COME WITH PEG BOARD



CAT NO.	QTY	DESCRIPTION
CSWS1	1	20 PC. 1/4-IN. Drive Socket Wrench Set - SAE/MM
CSWS7	1	20 PC. 3/8-IN. Drive Socket Wrench Set - SAE/MM
CSWS12	1	12PC. 1/2-IN. Drive Socket Wrench Set - SAE
CSAS8	1	10PC. 1/4" Drive 6PT Socket Set - SAE (5/32 - 1/2)
CSAS9	1	10 PC. 1/4" Drive 6PT Socket Set - MM (4-13MM)
CSAS10	1	10PC.1/4" Drive 6PT Socket Set - SAE (5/32 - 1/2)
CSAS11	1	10 PC. 1/4" Drive 6PT Socket Set - MM (4-13MM)
CSAS4	1	9 PC 3/8" Drive 12PT Socket Set - SAE (1/4 TO 3/4)
CSAS5	1	9PC. 3/8" Drive 12PT Socket Set - MM (9-19MM)
CSAS6	1	9 PC 3/8" Drive 6PT Deep Socket Set- SAE (1/4 TO 3/4)
CSAS7	1	9 PC 3/8" Drive 6PT Deep Socket Set- MM (9-19)

CAT NO.	QTY	DESCRIPTION
CSAS0	1	8 PC 1/2" Drive Socket Set - SAE 1/2 TO 15/16
CSAS1	1	8 PC 1/2" Drive Socket Set - MM 12- 21MM
CSAS2	1	8 PC 1/2" Drive Deep Socket Set - SAE 1/2 TO 15/16
CSAS3	1	8 PC 1/2" Drive Deep Socket Step - MM 12-21MM
CIMS0	1	8 PC Drive Impact Socket Set - SAE
CIMS1	1	8 PC 1/2" Drive Impact Socket Set - MM
CIMS2	1	8 PC 1/2" Drive Impact Socket Set - SAE
CIMS3	1	8 PC 1/2" Drive Impact Socket Set - MM
CCWS2	1	10PC Combination Wrech Set - SAE
CCWS3	1	10PC Combination Wrech Set - MM



Part # **CMHTHTB**

**CRESCENT 28 PIECE HEX AND TORX BIT SOCKET DISPLAY**

DOES NOT COME WITH PEG BOARD



CAT NO.	QTY	DESCRIPTION
CBSS0	1	7 PC Hex Bit Socket Set SAE - 3/8 Drive
CBSS1	1	7 PC Hex Bit Socket Set MM - 3/8 Drive
CBSS2	1	12 PC Torx Bit Socket Set - 1/4 & 3/8 Drive
CDTS0	1	1/4" Drive, T-10 Internal Torx Socket
CDTS1	1	1/4" Drive, T-15 Internal Torx Socket
CDTS10	1	3/8" Drive, T-55 Internal Torx Socket
CDTS11	1	3/8" Drive, T-60 Internal Torx Socket
CDTS2	1	1/4" Drive, T-20 Internal Torx Socket
CDTS3	1	1/4" Drive, T-25 Internal Torx Socket
CDTS4	1	1/4" Drive, T-27 Internal Torx Socket
CDTS5	1	1/4" Drive, T-30 Internal Torx Socket
CDTS6	1	3/8" Drive, T-40 Internal Torx Socket
CDTS7	1	3/8" Drive, T-45 Internal Torx Socket
CDTS8	1	3/8" Drive T-47 Internal Torx Socket

CAT NO.	QTY	DESCRIPTION
CDTS9	1	3/8" Drive, T-50 Internal Torx Socket
CHBS0	1	3/8" Drive 1/8" Hex Bit Socket
CHBS1	1	3/8" Drive 5/32" Hex Bit Socket
CHBS10	1	3/8" Drive 7MM Hex Bit Socket
CHBS11	1	3/8" Drive 8MM Hex Bit Socket
CHBS12	1	3/8" Drive 10MM Hex Bit Socket
CHBS2	1	3/8" Drive 3/16" Hex Bit Socket
CHBS3	1	3/8" Drive 7/32" Hex Bit Socket
CHBS4	1	3/8" Drive 1/4" Hex Bit Socket
CHBS5	1	3/8" Drive 5/16" Hex Bit Socket
CHBS6	1	3/8" Drive 3/8" Hex Bit Socket
CHBS7	1	3/8" Drive 4MM Hex Bit Socket
CHBS8	1	3/8" Drive 5MM Hex Bit Socket

Part # **CRESWP**

**CRESCENT WRENCHES AND PLIERS DISPLAY**

INCLUDES PEG BOARD



CAT NO.	QTY	DESCRIPTION
AC215VS	2	Adjustable Wrench, 15", Chrome, Carded
AC212VS	6	Adjustable Wrench, 12", Chrome, Carded
AC210VS	6	Adjustable Wrench, 10", Chrome, Carded
AC28VS	6	Adjustable Wrench, 8", Chrome, Carded
C7SV	3	Lock Plier STR Jaw 7I C7SV
C11CCV	3	C-clamp with Reg Tips C11CCV
C10SV	3	Lock Plier STR Jaw 10I C10SV
C10CV	3	Crescent Locking Pliers





Part # **GWINDSAE**

**GEARWRENCH SAE COMBINATION RATCHETING WRENCHES OPEN STOCK**

INCLUDES PEG BOARD



CAT NO.	QTY	DESCRIPTION
9008	3	Wr Rat Comb 1/4
9010D	3	Wr Rat Comb 5/16
9012D	3	Wr Rat Comb 3/8
9014	3	Wr Rat Comb 7/16
9016D	3	Wr Rat Comb 1/2
9018D	3	Wr Rat Comb 9/16
9020	3	Wr Rat Comb 5/8
9022	3	Wr Rat Comb 11/16
9024	3	Wr Rat Comb 3/4
9026D	3	Wr Rat Comb 13/16
9028D	3	Wr Rat Comb 7/8
9030	2	Wr Rat Comb 15/16
9032	2	Wr Rat Comb 1
9034	2	Wr Rat Comb 1-1/16
9036	2	Wr Rat Comb 1-1/8
9317	2	Set Wr Rat Comb Sae 7 pc



Part # **GWCOMB**

**GEARWRENCH COMBINATION RATCHETING AND NON-RATCHETING DISPLAY**

INCLUDES PEG BOARD



CAT NO.	QTY	DESCRIPTION
9416	2	Set Wr Rat Comb Met 16 pc Tray
9312	2	Set Wr Rat Comb Sae 13 pc Tray
81901	2	Set Wr Comb Fp Sae 15 pc
81902	2	Set Wr Comb Met 15 pc

Part # **GWINDMET**

**GEARWRENCH METRIC COMBINATION RATCHETING WRENCHES**

INCLUDES PEG BOARD



CAT NO.	QTY	DESCRIPTION
9106	3	Wr Rat Comb 6 mm
9107	3	Wr Rat Comb 7 mm
9108D	3	Wr Rat Comb 8 mm
9109	3	Wr Rat Comb 9 mm
9110D	3	Wr Rat Comb 10 mm
9111	3	Wr Rat Comb 11 mm
9112	3	Wr Rat Comb 12 mm
9113D	3	Wr Rat Comb 13 mm
9114D	3	Wr Rat Comb 14 mm
9115D	3	Wr Rat Comb 15 mm
9116D	3	Wr Rat Comb 16 mm
9117D	3	Wr Rat Comb 17 mm
9118D	3	Wr Rat Comb 18 mm
9119	3	Wr Rat Comb 19 mm
9120	3	Wr Rat Comb 20 mm
9121	3	Wr Rat Comb 21 mm
9122	2	Wr Rat Comb 22 mm
9124	2	Wr Rat Comb 24 mm
9417	2	Set Wr Rat Comb 7 pc Met



Part # **GWSRD**

**GEARWRENCH SOCKET SETS AND RATCHET DRIVES**

INCLUDES PEG BOARD



CAT NO.	QTY	DESCRIPTION
81211F	2	Rat Fp Td 3/8 Dr
81304F	2	Rat Td Fp 1/2 Dr
80560	2	Set Skt Std Met 3/8 Dr 12 Pt 14 pc
81300	2	Set Ext 1/2 Dr 3 pc
81200D	2	Set Ext 3/8 Dr 4 pc
80563	2	Set Skt Dp 3/8 Dr 12 Pt 11 pc
80702	2	Set Skt Met 1/2 Dr 6 Pt 13 pc
80553	2	Set Skt Std Sae 3/8 Dr 6 Pt 13 pc
80703	2	Set Skt Sae 1/2 dr 6 pt 11 pc







Part # **81435**

**SOCKET AND DRIVE  
TOOL BOARD - 1/2" DRIVE**

INCLUDES PLASTIC BACKER



CAT NO.	DESCRIPTION	QTY
80605	5/8" 6 PT. Standard Socket 1/2" Drive	1
80606	11/16" 6 PT. Standard Socket 1/2" Drive	1
80607	3/4" 6 PT. Standard Socket 1/2" Drive	1
80608	13/16" 6 PT. Standard Socket 1/2" Drive	1
80609	7/8" 6 PT. Standard Socket 1/2" Drive	1
80610	15/16" 6 PT. Standard Socket 1/2" Drive	1
80611	1" 6 PT. Standard Socket 1/2" Drive	1
80612	1-1/16" 6 PT. Standard Socket 1/2" Drive	1
80613	1- 1/8" 6 PT. Standard Socket 1/2" Drive	1
80760	7/16" 12 PT. Standard Socket 1/2" Drive	1
80761	1/2" 12 PT. Standard Socket 1/2" Drive	1
80762	9/16" 12 PT. Standard Socket 1/2" Drive	1
80773	1/2" 12 PT. Deep Socket 1/2" Drive	1
80774	9/16" 12 PT. Deep Socket 1/2" Drive	1
80775	5/8" 12 PT. Deep Socket 1/2" Drive	1
80776	11/16" 12 PT. Deep Socket 1/2" Drive	1
80777	3/4" 12 PT. Deep Socket 1/2" Drive	1
80778	13/16" 12 PT. Deep Socket 1/2" Drive	1
80779	7/8" 12 PT. Deep Socket 1/2" Drive	1
80780	15/16" 12 PT. Deep Socket 1/2" Drive	1
80794	1-1/4" 12 PT. Standard Length Socket 1/2" Drive	1
80795	1" 12 PT. Deep Socket 1/2" Drive	1
80796	1-1/16" 12 PT. Deep Socket 1/2" Drive	1
80797	1-1/8" 12 PT. Deep Socket 1/2" Drive	1
80600	1/2" Drive Universal Joint	1
81303	1/2" Drive Ratchet w/ Cushion Grip	1
81304	1/2" Drive Full Polish Teardrop Ratchet	1
81306	1/2" Drive Full Polish Flex Head Ratchet	1
81307	1/2" Drive Full Polish Flex Handle 15"	1
81308	1/2" Drive Full Polish Flex Handle 24"	1
81340	1/2" Drive Extension 3"	1
81341	1/2" Drive Extension 5"	1
81342	1/2" Drive Extension 10"	1
81354	1/2" F-3/8" M Decreasing Adapter	1
81355	1/2" F-3/4" M Increasing Adapter	1

Part # 81436

**IMPACT SOCKET & ADJUSTABLE  
WRENCH BOARD**

INCLUDES PLASTIC BACKER



CAT NO.	DESCRIPTION	QTY
80548	3/8" Drive Impact universal Joint	1
84503	9/16" Impact Socket 1/2" Drive	1
84506	3/4" Impact Socket 1/2" Drive	1
84508	7/8" Impact Socket 1/2" Drive	1
84509	15/16" Impact Socket 1/2" Drive	1
84512	1-1/8" Impact Socket 1/2" Drive	1
84547	7/16" Deep Impact Socket 1/2" Drive	1
84548	1/2" Deep Impact Socket 1/2" Drive	1
84549	9/16" Deep Impact Socket 1/2" Drive	1
84550	5/8" Deep Impact Socket 1/2" Drive	1
84551	11/16" Deep Impact Socket 1/2" Drive	1
84552	3/4" Deep Impact Socket 1/2" Drive	1
84553	13/16" Deep Impact Socket 1/2" Drive	1
84554	7/8" Deep Impact Socket 1/2" Drive	1
84555	15/16" Deep Impact Socket 1/2" Drive	1
84556	1" Deep Impact Socket 1/2" Drive	1
84557	1-1/16" Deep Impact Socket 1/2" Drive	1
84525	13mm Impact Socket 1/2" Drive	1
84526	14mm Impact Socket 1/2" Drive	1
84527	15mm Impact Socket 1/2" Drive	1
84529	17mm Impact Socket 1/2" Drive	1
84531	19mm Impact Socket 1/2" Drive	1
84588	30mm Impact Socket 1/2" Drive	1
84594	36mm Impact Socket 1/2" Drive	1
80671	1/2" Drive Impact Universal Joint	1
84645	1/2" Drive Impact Extension Bar 3"	1
84646	1/2" Drive Impact Extension Bar 5"	1
84800	3/4" Impact Socket 3/4" Drive	1
84802	7/8" Impact Socket 3/4" Drive	1
84803	15/16" Impact Socket 3/4" Drive	1
84806	1-1/8" Impact Socket 3/4" Drive	1
84807	1-3/16" Impact Socket 3/4" Drive	1
84808	1-1/4" Impact Socket 3/4" Drive	1
84809	1-5/16" Impact Socket 3/4" Drive	1
84810	1-3/8" Impact Socket 3/4" Drive	1
84811	1-7/16" Impact Socket 3/4" Drive	1
84812	1-1/2" Impact Socket 3/4" Drive	1
84866	15/16" Deep Impact Socket 3/4" Drive	1
84868	1-1/16" Deep Impact Socket 3/4" Drive	1
84869	1-1/8" Deep Impact Socket 3/4" Drive	1
84871	1-1/4" Deep Impact Socket 3/4" Drive	1
84875	1-1/2" Deep Impact Socket 3/4" Drive	1
84885	3/4" Drive Impact Extension 6"	1
81890	6" Adjustable Wrench w/ Cushion Grip	1
81891	8" Adjustable Wrench w/ Cushion Grip	1
81892	10" Adjustable Wrench w/ Cushion Grip	1
81893	12" Adjustable Wrench w/ Cushion Grip	1





Part # 81430

**WRENCH BOARD - FRACTIONAL**

INCLUDES PLASTIC BACKER



CAT NO.	DESCRIPTION	QTY
81606	9/16" Crowfoot Wrench (Non-Ratcheting) 3/8" Drive	1
81609	3/4" Crowfoot Wrench (Non-Ratcheting) 3/8" Drive	1
81611	7/8" Crowfoot Wrench (Non-Ratcheting) 3/8" Drive	1
81613	1" Crowfoot Wrench (Non-Ratcheting) 3/8" Drive	1
81681	3/8" x 7/16" Flare Nut Wrench (Non-Ratcheting)	1
81682	1/2" x 9/16" Flare Nut Wrench (Non-Ratcheting)	1
81683	5/8" x 11/16" Flare Nut Wrench (Non-Ratcheting)	1
81685	3/4" x 7/8" Flare Nut Wrench (Non-Ratcheting)	1
81650	1/4" Long Pattern Combination Wrench (Non-Ratcheting)	1
81652	5/16" Long Pattern Combination Wrench (Non-Ratcheting)	1
81654	3/8" Long Pattern Combination Wrench (Non-Ratcheting)	1
81655	7/16" Long Pattern Combination Wrench (Non-Ratcheting)	1
81656	1/2" Long Pattern Combination Wrench (Non-Ratcheting)	1
81657	9/16" Long Pattern Combination Wrench (Non-Ratcheting)	1
81658	5/8" Long Pattern Combination Wrench (Non-Ratcheting)	1
81659	11/16" Long Pattern Combination Wrench (Non-Ratcheting)	1
81660	3/4" Long Pattern Combination Wrench (Non-Ratcheting)	1
81661	13/16" Long Pattern Combination Wrench (Non-Ratcheting)	1
81662	7/8" Long Pattern Combination Wrench (Non-Ratcheting)	1
81663	15/16" Long Pattern Combination Wrench (Non-Ratcheting)	1
81664	1" Long Pattern Combination Wrench (Non-Ratcheting)	1
81733	1-1/16" Long Pattern Combination Wrench (Non-Ratcheting)	1



Part # 81431

**WRENCH BOARD - METRIC**

INCLUDES PLASTIC BACKER



CAT NO.	DESCRIPTION	QTY
81614	10mm Crowfoot Wrench (Non-Ratcheting) 3/8" Drive	1
81616	12mm Crowfoot Wrench (Non-Ratcheting) 3/8" Drive	1
81618	14mm Crowfoot Wrench (Non-Ratcheting) 3/8" Drive	1
81621	17mm Crowfoot Wrench (Non-Ratcheting) 3/8" Drive	1
81645	10 x 12mm Flare Nut Wrench (Non-Ratcheting)	1
81646	13 x 14mm Flare Nut Wrench (Non-Ratcheting)	1
81647	15 x 17mm Flare Nut Wrench (Non-Ratcheting)	1
81648	16 x 18mm Flare Nut Wrench (Non-Ratcheting)	1
81736	6mm Long Patter Combination Wrench (Non-Ratcheting)	1
81737	7mm Long Patter Combination Wrench (Non-Ratcheting)	1
81665	8mm Long Patter Combination Wrench (Non-Ratcheting)	1
81666	9mm Long Patter Combination Wrench (Non-Ratcheting)	1
81667	10mm Long Patter Combination Wrench (Non-Ratcheting)	1
81668	11mm Long Patter Combination Wrench (Non-Ratcheting)	1
81669	12mm Long Patter Combination Wrench (Non-Ratcheting)	1
81671	14mm Long Patter Combination Wrench (Non-Ratcheting)	1
81672	15mm Long Patter Combination Wrench (Non-Ratcheting)	1
81673	16mm Long Patter Combination Wrench (Non-Ratcheting)	1
81674	17mm Long Patter Combination Wrench (Non-Ratcheting)	1
81675	18mm Long Patter Combination Wrench (Non-Ratcheting)	1
81676	19mm Long Patter Combination Wrench (Non-Ratcheting)	1



Part # 81432

**SCREWDRIVER & PLIERS BOARD**

INCLUDES PLASTIC BACKER



CAT NO.	DESCRIPTION	QTY
80001	#1 x 3" Phillips	1
80005	#2 x 1-1/2" Phillips	1
80007	#2 x 4 Phillips with Bolster	1
80011	#3 x 6 Phillips with Bolster	1
80012	1/4" x 1-1/2" Slotted	1
80013	1/4" x 4" Slotted With Bolster	1
80014	1/4" x 6" Slotted With Bolster	1
80015	1/8" x 3" Slotted With Cabinet Tip	1
80017	3/16" x 4" Slotted with Cabinet Tip	1
80018	3/16 x 6" Slotted with Cabinet Tip	1
80023	5/16 x 6" Slotted with Bolster	1
82008	6" Diagonal pliers	1
82010	6" Long Nose pliers	1
82011	9-1/2" Tongue and Groove Pliers	1
82012	7" Diagonal Cutting Pliers	1
82013	8" Long Nose Pliers	1
82014	8" Slip Joint Pliers	1
82025	8" Lineman Pliers - Standard DM Grip	1



Part # 81433

**HAMMER, PUNCH, CHISEL & PRY BAR**

INCLUDES PLASTIC BACKER



CAT NO.	DESCRIPTION	QTY
82216	16" Indexable Pry Bar	1
82250	8 oz Ball Pein Hammer - Fiberglass Handle	1
82251	16 oz Ball Pein Hammer - Fiberglass Handle	1
82253	32 oz Ball Pein Hammer - Fiberglass Handle	1
82255	3 lb Drilling Hammer - Fiberglass Handle	1
82259	16 oz Rubber Mallet - Wood Hickory Handle	1
82260	12 oz Soft Face Hammer - Removable Caps	1
82262	3/8" x 5" x 5/16" Cold Chisel	1
82263	7/16" x 5-1/2" x 3/8" Cold Chisel	1
82265	5/8" x 6-1/2" x 3/8" Cold Chisel	1
82266	3/4" x 7" x 5/8" Cold Chisel	1
82267	7/8" x 7-1/2" x 3/4" Cold Chisel	1
82273	1/8" x 5" x 5/16" Pin Punch	1
82274	5/32" x 5-1/4" x 5/16" Pin Punch	1
82275	3/16" x 5-1/2" x 5/16" Pin Punch	1
82278	1/8" x 8 x 3/8" Long Taper Punch	1
82279	5/32" x 8-1/2" x 1/2" Long Taper	1
82280	3/16" x 9" x 1/2" Long Taper Punch	1
82281	1/4" x 11" x 5/8" Long Taper Punch	1
82284	1/4" x 6" x 1/2" Starter Punch	1
82287	3/8" x 8" x 3/4" Starter Punch	1
82308	4 Pc. Cold Chisel Set	1
82309	5 Pc. Pin Punch Set	1





Part # 81434

**SOCKET AND DRIVE TOOL BOARD - 1/4" AND 3/8" DRIVE**

INCLUDES PLASTIC BACKER



CAT NO.	DESCRIPTION	QTY
80106	7/32" 6 PT. Standard Socket 1/4" Drive	1
80107	1/4" 6 PT. Standard Socket 1/4" Drive	1
80109	5/16" 6 PT. Standard Socket 1/4" Drive	1
80116	7/32" 6 Pt. Deep Socket 1/4" Drive	1
80117	1/4" 6 Pt. Deep Socket 1/4" Drive	1
80119	5/16" 6 Pt. Deep Socket 1/4" Drive	1
80121	3/8" 6 Pt. Deep Socket 1/4" Drive	1
80122	7/16" 6 Pt. Deep Socket 1/4" Drive	1
80129	7mm 6 PT. Standard Socket 1/4" Drive	1
80130	8mm 6 PT. Standard Socket 1/4" Drive	1
80132	10mm 6 PT. Standard Socket 1/4" Drive	1
80142	7mm 6 PT. Deep Socket 1/4" Drive	1
80143	8mm 6 PT. Deep Socket 1/4" Drive	1
80145	10mm 6 PT. Deep Socket 1/4" Drive	1
80100	1/4" Drive Universal joint	1
81007	1/4" Drive Ratchet w/ Cushion Grip	1
81011	1/4" Drive Full Polish Teardrop Ratchet	1
81014	1/4" Drive Teardrop Quick Release Ratchet	1
81113	1/4" Drive Extension 3"	1
81116	1/4" Drive Extension 6"	1
81127	1/4" F-3/8" M Drive Adapter	1
81128	1/4" Drive Spinner handle	1
80351	5/16" 6 PT. Standard Socket 3/8" Drive	1
80354	1/2" 6 PT. Standard Socket 3/8" Drive	1
80355	9/16" 6 PT. Standard Socket 3/8" Drive	1
80358	3/4" 6 PT. Standard Socket 3/8" Drive	1
80366	7/16" 6 PT. Deep Socket 3/8" Drive	1
80367	1/2" 6 PT. Deep Socket 3/8" Drive	1
80368	9/16" 6 PT. Deep Socket 3/8" Drive	1
80376	8mm 6 PT. Standard Socket 3/8" Drive	1
80378	10mm 6 PT. Standard Socket 3/8" Drive	1
80381	13mm 6 PT. Standard Socket 3/8" Drive	1
80382	14mm 6 PT. Standard Socket 3/8" Drive	1
80383	15mm 6 PT. Standard Socket 3/8" Drive	1
80386	18mm 6 PT. Standard Socket 3/8" Drive	1
80392	10mm 6 PT. Deep Socket 3/8" Drive	1
80395	13mm 6 PT. Deep Socket 3/8" Drive	1
80396	14mm 6 PT. Deep Socket 3/8" Drive	1
80397	15mm 6 PT. Deep Socket 3/8" Drive	1
80400	18mm 6 PT. Deep Socket 3/8" Drive	1
80402	5/8" Spark Plug Socket 3/8" Drive	1
80403	13/16" Spark Plug Socket 3/8" Drive	1
80549	3/8" Drive Universal Joint	1
81211	3/8" Drive Full Polish Teardrop Ratchet	1
81215	3/8" Drive Full Polish Flex Head Ratchet	1
81218	3/8" Drive Teardrop Quick Release Ratchet	1
81221	3/8" Drive Full Polish Flex Handle - 12"	1
81240	3/8" Drive Extension 1-1/2"	1
81241	3/8" Drive Extension 3"	1
81242	3/8" Drive Extension 6"	1
81243	3/8" Drive Extension 10"	1
81277	3/8" F-1/4" M Decreasing Adapter	1
81278	3/8" F-1/2" M increasing Adapter	1

Part # **GWAT**

**GEARWRENCH ASSORTED TOOLS**

INCLUDES PEG BOARD



CAT NO.	QTY	DESCRIPTION
82005D	2	Plr Dbl X Strt
9533N	1	Set Wr Rat Comb Rev Sae 8 pc
85051	1	Wr Trq Micro 3/8"Dr 25-250 In
85054	1	Wr Trq Micro 1/2"Dr 20-250 Ft
3880	1	Set Rat Tap & Die Drv TI 5 pc
3887	1	Set Rat Tap & Die Sae Met 75 pc



Part # **KDOFPOG**

**OIL FILTER WRENCHES/CAPS**

DOES NOT COME WITH PEG BOARD



CAT NO.	QTY	DESCRIPTION
2010D	2	Wr Oil Fltr Truck & Tractor
2790D	2	Wr Oil Fltr End Cap
2991D	2	Wr Oil Fltr End Cap 3-3/4 3/8D
3082D	2	Wr Swiv 3-1/2 To 3-7/8
3083D	2	Wr Swiv 2-7/8 To 3-1/4
3253D	2	Wr Oil Fltr End Cap Toyota
3324D	2	Wr Swiv Fltr 2-1/2 To 3



Part # **KDGGPOG**

**AUTO GAP GAUGES**

DOES NOT COME WITH PEG BOARD



CAT NO.	QTY	DESCRIPTION
161D	2	Feel Gaug Deluxe
162D	2	Feel Gaug
164	2	Set Spk Plg Gap & Feel Gaug
166D	2	Gaug Spk Plg Gap Wire
3293D	2	Gaug Spk Plg Gap





## DISPLAYS



### 2 FOOT PLANOGRAM

- 1 of each item listed
- 4 foot planogram includes everything on the 2 foot planogram PLUS individual open stock "Flex Head Products"

DOES NOT COME WITH PEG BOARD



Part # **KDMTPOG**

### MISCELLANEOUS TOOLS

DOES NOT COME WITH PEG BOARD



CAT NO.	QTY	DESCRIPTION
2031DD	2	Cut Exhst & Talpip
203182D	2	Cut Chn Assy
2517D	2	Tubing Bndr
3151	2	Plr Snp Rng Lrg Conv
3888D	2	Push Pin Plier- 80 Degree
445	2	Plr Snp Rng Int
446D	2	Plr Snp Rng Ext
985	2	Asst Snp Rng Emergency

Part # **GWHDW2FT**

### 2' PLANOGRAM

DOES NOT COME WITH PEG BOARD



CAT NO.	QTY	DESCRIPTION
9317	1	7 pc Sae Gearwrench Set
9417	1	7 pc Met Gearwrench Set
9700	1	7 pc Sae Flex Gearwrench Set
9900D	1	7 pc Met Flexgearwrench Set
9309D	1	4 pc Sae Jumbo Flat Gearwrench Set
9413	1	4 pc Metric Jumbo Flat Gearwrench Set
9010D	1	Gearwrench 5/16
9012D	1	Gearwrench 3/8
9014	1	Gearwrench 7/16
9016D	1	Gearwrench 1/2
9018D	1	Gearwrench 9/16
9020	1	Gearwrench 5/8
9022	1	Gearwrench 11/16
9024	1	Gearwrench 3/4
9028D	1	Gearwrench 7/8
9108D	1	Gearwrench 8 mm
9109	1	Gearwrench 9 mm
9110D	1	Gearwrench 10 mm
9111	1	Gearwrench 11 mm
9112	1	Gearwrench 12 mm
9113D	1	Gearwrench 13 mm
9115D	1	Gearwrench 15 mm
9116D	1	Gearwrench 16 mm
9118D	1	Gearwrench 18 mm
9119	1	Gearwrench 19 mm

Part # **GWHDW4FT**

**4' PLANOGRAM**

DOES NOT COME WITH PEG BOARD



CAT NO.	QTY	DESCRIPTION
9317	1	7 pc Sae Gear Wrench Set
9417	1	7 pc Met Gear Wrench Set
9533N	1	8 pc Gw Rev Non Capstop Set Sae
9543	1	8 pc Rev Comb Ratch Mm
9700	1	7 pc Sae Flex Gear Wrench Set
9900D	1	7 pc Met Flex Gear Wrench Set
85035	1	35 pc Microdriver Set
85200	1	13 pc Sae Quadbox Set (2Ratch Wr
85210D	1	13 pc Met Quadbox Set (2Ratch Wr
9309D	1	4 pc Sae Jumbo Flat Gearwrench Set
9413	1	4 pc Metric Jumbo Flat Gearwrench Set
9010D	1	Gear Wrench 5/16
9012D	1	Gear Wrench 3/8
9014	1	Gear Wrench 7/16
9016D	1	Gear Wrench 1/2
9018D	1	Gear Wrench 9/16
9020	1	Gear Wrench 5/8
9022	1	Gear Wrench 11/16
9024	1	Gear Wrench 3/4
9028D	1	Gear Wrench 7/8
9108D	1	Gear Wrench 8 mm
9109	1	Gear Wrench 9 mm
9110D	1	Gear Wrench 10 mm
9111	1	Gear Wrench 11 mm
9112	1	Gear Wrench 12 mm
9113D	1	Gear Wrench 13 mm
9115D	1	Gear Wrench 15 mm
9116D	1	Gear Wrench 16 mm
9118D	1	Gear Wrench 18 mm
9119	1	Gear Wrench 19 mm
9705	1	Gearwr Flex 5/16
9706	1	Gearwr Flex 3/8
9707	1	Gearwr Flex 7/16
9708	1	Gearwr Flex 1/2
9709	1	Gearwr Flex 9/16
9710	1	Gearwr Flex 5/8
9711	1	Gearwr Flex 11/16
9712	1	Gearwr Flex 3/4
9714D	1	Gearwr Flex 7/8
9908D	1	Gearwr Flex 8 mm

**4 FOOT PLANOGRAM**

- 4 foot planogram
- 1 of each item listed below
- 4 foot planogram includes everything on the 2 foot planogram PLUS individual open stock "Flex Head Products"

DOES NOT COME WITH PEG BOARD



CAT NO.	QTY	DESCRIPTION
9909D	1	Gearwr Flex 9 mm
9910D	1	Gearwr Flex 10 mm
9911D	1	Gearwr Flex 11 mm
9912D	1	Gearwr Flex 12 mm
9913D	1	Gearwr Flex 13 mm
9914D	1	Gearwr Flex 14 mm
9915D	1	Gearwr Flex 15 mm
9917	1	Gearwr Flex 17 mm
9919D	1	Gearwr Flex 19 mm

## DISPLAYS



Part # **KDBTPOG**

### BATTERY TOOLS/CARRIERS

DOES NOT COME WITH PEG BOARD



CAT NO.	QTY	DESCRIPTION
126D	2	Tst Volt Hi Lo
12675	2	Bulb Ge 1449
129D	2	Circt Tst Lo Volt
201D	2	Brsh Btry
3367	2	Wr Btry Side Term Gm



Part # **KDGPPOG**

### GEAR PULLERS

DOES NOT COME WITH PEG BOARD



CAT NO.	QTY	DESCRIPTION
2286D	2	Pull Harmnc Balance
3551D	2	Pull 2 Jaw Rev 2 Ton
3552	2	Pull 2 Jaw Rev 5 Ton
3561	2	Pull 2/3 Jaw Rev 2 Ton
3562D	2	Pull 2/3 Jaw Rev 5 Ton



Part # **JCKHDWPOG**

**JACOBS DISPLAY**

DOES NOT COME WITH PEG BOARD



CAT NO.	QTY	DESCRIPTION
030605	2	L Key 1/4&3/8 Cd
30249	2	Key 1/4 Pilot Kg1 Cd
30250	2	Key 9/32 Pilot Kk Cd
30251	2	Key 1/4 Pilot K32 Cd
30825D	2	Chk Key 3/8 15/64 Pilot Cd
30827D	2	Chk Key 1/4&3/8 13/64 Pilot Cd
30253DD	2	Hldr Chk Key Cd
30247D	2	Chk&Key 3/8 M Crft Cd
30354	2	Chk Hndtite Keyls 3/8 Cd
30602	2	Chk&Key 1/2 M Crft 20M Cd
31037D	2	Chk Keyless Hd 1/2 3/8-24M
31038D	2	Chk Keyls 1/2-20 Hd
31048D	2	Chk 1/2 Keyls Sng Slv 1/2M Sft



Part # **CF1N**

**DISPLAY, ADJUSTABLE WRENCHES**

DOES NOT COME WITH PEG BOARD



CAT NO.	QTY	DESCRIPTION
AC26VS	2	Wrench, adjustable, chrome, 6", carded
AC28VS	2	Wrench, adjustable, chrome, 8", carded
AC210VS	2	Wrench, adjustable, chrome, 10", carded
AC212VS	2	Wrench, adjustable, chrome, 12", carded



Part # **CF8**

**DISPLAY, LOCKING PLIERS**

DOES NOT COME WITH PEG BOARD



CAT NO.	QTY	DESCRIPTION
C7SV	3	7" Straight Jaw Locking Pliers, Carded
C10SV	3	10" Straight Jaw Locking Pliers, Carded
C5CV	3	5" Crv Jaw Lk Pliers, Wire Cutter, Carded
C7CV	3	7" Crv Jaw Lk Pliers, Wire Cutter, Carded
C10CV	3	10" Crv Jaw Lk Pliers, Wire Cutter, Carded
C6NV	3	6" Long Nose Lk Pliers, Wire Cutter, Carded
C9NV	3	9" Long Nose Lk Pliers, Wire Cutter, Carded



## DISPLAYS



Part # **CF3**

### DISPLAY, MIXED PLIERS

DOES NOT COME WITH PEG BOARD



CAT NO.	QTY	DESCRIPTION
H28VN	2	Pliers, Slip-Joint, Cee Tee, 8", Carded
H26VN	2	Pliers, Slip-Joint, Cee Tee, 6-1/2", Carded
727CVN	2	Pliers, Solid-Joint, End Cut Nippers,
508CVN	2	Pliers, Solid-Joint, Lineman Cutter,
5427CVN	2	Pliers, Solid-Joint, Diagonal, Heavy-Duty,
6546CVSMLN	2	Pliers, Solid-Joint, Long Chain Nose
9336CVN	2	Pliers, 6", Diagonal,



Part # **CF9**

### DISPLAY, LOCKING CLAMPS

DOES NOT COME WITH PEG BOARD



CAT NO.	QTY	DESCRIPTION
C6CCV	3	6" Locking C-Clamp, Regular Tips, Carded
C6CCSV	3	6" Locking C-Clamp, Swivel Pads, Carded
C11CCV	2	11" Locking C-Clamp, Regular Tips, Carded
C11CCSV	2	11" Locking C-Clamp, Swivel Pads, Carded



Part # **CF10**

### DISPLAY, TONGUE & GROOVE PLIERS

DOES NOT COME WITH PEG BOARD



CAT NO.	QTY	DESCRIPTION
R27CV	4	Pliers, Tongue & Groove, 7"
R210CV	4	Pliers, Tongue & Groove, 10"
R212CV	4	Pliers, Tongue & Groove, 12"
R200SET2	4	Tongue & Groove Pliers Set



Part # **CFSDDN2**

**DISPLAY, SCREWDRIVERS**

DOES NOT COME WITH PEG BOARD



CAT NO.	QTY	DESCRIPTION
CSD33V	3	Screwdriver, 3/16"X3", Slotted, Carded
CSD36V	3	Screwdriver, 3/16"X6", Slotted, Carded
CSD41V	3	Screwdriver, 1/4"X1-1/4", Slotted, Carded
CSD44V	3	Screwdriver, 1/4"X4", Slotted, Carded
CSD46V	3	Screwdriver, 1/4"X6", Slotted, Carded
CSD56V	3	Screwdriver, 5/16"X6", Slotted, Carded
CSDP34V	3	Screwdriver, No.1X4", Phillips, Carded
CSDP41V	3	Screwdriver, No.2X1-1/4", Phillips, Carded
CSDP44V	3	Screwdriver, No.2X4", Phillips, Carded
CSDP56V	3	Screwdriver, No.3X6", Phillips, Carded
CSD4PC	3	Screwdriver Set, 4 pc, Cushion Grip



Part # **CRF1**

**DISPLAY, CODE RED RENNOVATION TOOLS**

DOES NOT COME WITH PEG BOARD



CAT NO.	QTY	DESCRIPTION
DB18X	2	Indexing Pry Bar 18"
DB16	2	Adjustable Nail Pry Bar / Nail Puller 16"
DB30X	2	Indexing Pry Bar 30"
DB24	2	Adjustable Pry Bar / Nail Puller 24"
NP11	2	Nail Puller





# DISPLAYS



Part # **CRF2**

**DISPLAY, CODE RED PRY BARS**



DOES NOT COME WITH PEG BOARD

CAT NO.	QTY	DESCRIPTION
FB7	2	7" Pry Bar
FB13	2	13" Pry Bar
FB15	2	15" Pry Bar
MB8	2	8" Pry Bar
MB10	2	10" Pry Bar
MB12	2	12" Pry Bar



Part # **HKPF1**

**DISPLAY, AC SERIES BOLT CUTTERS**



DOES NOT COME WITH PEG BOARD

CAT NO.	QTY	DESCRIPTION
1490AC	2	Boltcutter, Aluminum Handle, 14"
0090AC	2	Boltcutter, Aluminum Handle, 18"
0190AC	2	Boltcutter, Aluminum Handle, 24"

Part # **DF3A**

**FARRIER TOOLS ASSORTMENT**



**Diamond**

DOES NOT COME WITH PEG BOARD

CAT NO.	QTY	DESCRIPTION
14DN	2	Hoof Nipper, Grips, 14"
271L	1	Hoof Knife, Narrow Left, Diamond
271R	1	Hoof Knife, Narrow Right, Diamond
280R	1	Hoof Knife, Wide Right, Diamond
C7	1	Clinch Cutter, 6"
FH10	1	Hammer, 10 OZ Driving, Race Track
FH14	1	Hammer, 14 OZ Driving, Farrier
FN15	1	Farrier Nipper, 15"
HC12	1	Saddle Horse Clincher, 12"
HR14N	1	Farrier Special Rasp 14"
N10	1	Horseshoe Nail Nipper, 10"
NP12	1	Nail Puller, 12"
SP12D	1	Shoe Puller, 12"



Part # **LF2NHV**

**DISPLAY, HI-VIZ PROFESSIONAL SERIES TAPES**



DOES NOT COME WITH PEG BOARD

CAT NO.	QTY	DESCRIPTION
PHV1010	2	Tape, 1/2"X10', HI-VIZ Orange
PHV1012	2	Tape, 1/2"X12', HI-VIZ Orange
PHV1312	2	Tape, 3/4"X12', HI-VIZ Orange
PHV1316	2	Tape, 3/4"X16', HI-VIZ Orange
PHV1425	2	Tape, 1"X25', HI-VIZ Orange
PHV1433	2	Tape, 1"X33', HI-VIZ Orange



## DISPLAYS



Part # **LF2NC**

### DISPLAY, HI-VIZ PROFESSIONAL SERIES TAPES

DOES NOT COME WITH PEG BOARD

CAT NO.	QTY	DESCRIPTION
P2210	2	Tape, 1/2"X10', Chrome
P2212	2	Tape, 1/2"X12', Chrome
P2312	2	Tape, 3/4"X12', Chrome
P2316	2	Tape, 3/4"X16', Chrome
P2125	2	Tape, 1"X25', Chrome
P2133	2	Tape, 1"X33', Chrome



Part # **LF11**

### DISPLAY, WOOD RULES

DOES NOT COME WITH PEG BOARD

CAT NO.	QTY	DESCRIPTION
T066N	2	Wood Rule, 5/8" X 6' Red End
066FN	2	Wood Rule, 5/8" X 6' Red End, Flat Read
1066DN	2	Wood Rule, 5/8" X 6', Red End, Engineer's Scale
T636N	2	Wood Rule, 5/8" X 6', Brick Mason's
646LN	2	Wood Rule, 5/8" X 6', Modular Spacing
T656N	2	Wood Rule, 5/8" X 6', Red End, Oversized Brick
966N	2	Wood Rule, 5/8" X 6', Two-way Read
TX46N	2	Wood Rule, 5/8" X 6', Red End, Extension Rule



Part # **LF16**

### DISPLAY, L600 SERIES TAPES

DOES NOT COME WITH PEG BOARD

CAT NO.	QTY	DESCRIPTION
L610	6	Tape, 1/2" X 10', Slide Lock, HI VIZ
L616	6	Tape, 3/4" X 16', Slide Lock, HI VIZ
L625	6	Tape, 1" X 25', Slide Lock, HI VIZ



Part # **LF15**

**DISPLAY, LONG TAPES FIBERGLASS**

DOES NOT COME WITH PEG BOARD



CAT NO.	QTY	DESCRIPTION
FE050	2	Tape, FBGL, 1/2" X 50', Open Reel
FE100	2	Tape, FBGL, 1/2" X 100', Open Reel
FE150	2	Tape, FBGL, 1/2" X 150', Open Reel
FE200	2	Tape, FBGL, 1/2" X 200', Open Reel
FE300	2	Tape, FBGL, 1/2" X 300', Open Reel



Part # **LUFLSTD**

**DISPLAY, LONG TAPES FIBERGLASS**

INCLUDES PEG BOARD



CAT NO.	QTY	DESCRIPTION
FE100	6	Tape, FBGL, 1/2" X 100', Open Reel
FE100D	6	Tape, FBGL, 1/2" X 100', Open Reel, ENGR
FE200	2	Tape, FBGL, 1/2" X 200', Open Reel
FE200D	2	Tape, FBGL, 1/2" X 200', Open Reel, ENGR
FE300	2	Tape, FBGL, 1/2" X 300', Open Reel



## DISPLAYS



Part # **LUFLCAN**

### DISPLAY, LONG TAPES FIBERGLASS

INCLUDES PEG BOARD

**Lufkin**

CAT NO.	QTY	DESCRIPTION
FE100	6	Tape, Fbgl, 1/2" X 100', Open
FM030CME	6	Tape, Fbgl, 1/2" / 13 mm X 100'
FM050CME	2	Tape, Fbgl, 1/2" / 13 mm X 164'
FM100CME	2	Tape, Fbgl, 1/2" / 13 mm X 330'

Part # **LUFUS**

### POWER TAPE DISPLAY US

INCLUDES PEG BOARD

**Lufkin**



CAT NO.	QTY	DESCRIPTION
PHV1012	6	Tape, 1/2" X 12', Hi-Viz Orange
PHV1312	6	Tape, 3/4" X 12', Hi-Viz Orange
PHV1316	6	Tape, 3/4" X 16', Hi-Viz Orange
PHV1035CME	6	Tape, 3/4" X 16' (19 mm X 5 m), Hi-Viz Orange
PHV1425	6	Tape, 1" X 25', Hi-Viz Orange
PHV1425D	6	Tape, 1" X 25', Engineers, Hi-Viz Orange
PHV1048CME	6	Tape, 1" X 26' (25 mm X 8 m), Hi-Viz Orange
PHV1433	6	Tape, 1" X 33', Hi-Viz Orange
P2312	6	Tape, 3/4" X 12', Chrome
P2210MEX	6	Tape, 1/2" X 10' (13 mm X 3 m), Met/Dec, Chrome
P2212	6	Tape, 1/2" X 12', Chrome
P2212X	6	Tape, 1/2" X 12', Engineers, Chrome
P2316	6	Tape, 3/4" X 16', Chrome
P2125	6	Tape, 1" X 25', Chrome
P2133	6	Tape, 1" X 33', Chrome
P2133D	6	Tape, 1" X 33', Engineers, Chrome

Part # **LUFKAN**

**POWER TAPE DISPLAY CANADA**

INCLUDES PEG BOARD



CAT NO.	QTY	DESCRIPTION
P2035CME	6	Tape, 3/4" X 16' (19 mm X 5 m), Chrome
P2048CME	6	Tape, 1" X 26' (25 mm X 8 m), Chrome
P2410CME	6	Tape, 1" X 33' (25 mm X 10 m), Chrome
P2223CME	6	Tape, 1/2" X 10' (13 mm X 3 m), Chrome
P2035CM	6	Tape, 19 mm X 5 m, Chrome
P2034CME	6	Tape, 3/4" X 13' (19 mm X 4 m), Chrome
P2024CME	6	Tape, 1/2" X 12' (13 mm X 4 m), Chrome
P2210MEX	6	Tape, 1/2" X 10' (13 mm X 3 m), Met/Dec, Chrome
PHV1035CME	6	Tape, 3/4" X 16' (19 mm X 5 m), Hi-Viz Orange
PHV1410CME	6	Tape, 1" X 33' (25 mm X 10 m), Hi-Viz Orange
PHV1048CME	6	Tape, 1" X 26' (25 mm X 8 m), Hi-Viz Orange
PHV1048CME	6	Tape, 1" X 26' (25 mm X 8 m), Hi-Viz Orange
PHV1034CME	6	Tape, 3/4" X 13' (19 mm X 4 m), Hi-Viz Orange
PHV1312	6	Tape, 3/4" X 12', Hi-Viz Orange
PHV1316	6	Tape, 3/4" X 16', Hi-Viz Orange
P2133D	6	Tape, 1" X 33', Engineers, Chrome



Part # **CS8525HGQP**

**25 FOOT CONTROL SERIES TAPE**



- 16 piece quarter pallet
- Innovative Drag Strip™ finger access for measuring and retraction control
- Tape designed with the perfect amount of grip for maximum control
- 10' stand-out
- Tri-tip end-hook ensures a perfect, non-slip catch
- Hang-Guard grip can be used with tethers or wriststraps to prevent drops and injuries

DISPLAY WILL INCLUDE GENERIC CARDBOARD BASE AS PICTURED





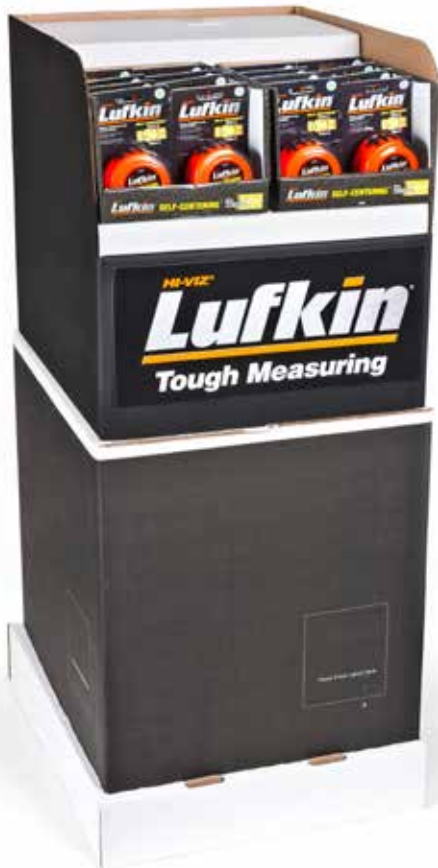


Part # **L625QP**

**25 FOOT POWER TAPE**

- 32 piece quarter pallet
- Ergonomic design
- End hook lasts 1.5 times longer than competition
- Blade life (corrosion and abrasion) lasts 2x longer than competition
- 1" x 25'

DISPLAY WILL INCLUDE GENERIC CARDBOARD BASE AS PICTURED



Part # **L725SCTOP**

- 16 piece quarter pallet
- 25 Foot Self-Centering Tape
- Blade style helps find the center of your measurement
- Top Edge (BLACK) graduated to 1/16ths and numbered in consecutive inches and fractional equivalents to 1/8ths
- Bottom Edge (RED) shows mid-point of measurement on top edge
- 1" x 25'

DISPLAY WILL INCLUDE GENERIC CARDBOARD BASE AS PICTURED



Part # **XL8525SQPR**

**Lufkin**

**10 FOOT STANDOUT POWER TAPE**

- 12 Piece quarter pallet
- Rubber cushion absorbs impact
- 4-Rivet reinforced end hook
- 10 Foot standout
- 1-3/16" x 25'

DISPLAY WILL INCLUDE GENERIC CARDBOARD BASE AS PICTURED



Part # **M123RQPR**

**Wiss**

**AVIATION SNIPS**

24 Piece Quarter Pallet consists of:

- 6 ea. M1R left cut
- 6 ea. M2R right cut
- 12 ea. M3R straight cut
- Spring action
- Serrated jaw

DISPLAY WILL INCLUDE GENERIC CARDBOARD BASE AS PICTURED





Part # **GWQP**

**RATCHETING WRENCH SET**  **GEARWRENCH®**

24 Piece Quarter Pallet consists of:

- 12 SAE #93005  
Set includes:  
3/8", 7/16", 1/2", 9/16", 5/8"
- 12 Metric #93004D  
Set includes:  
10mm, 12mm, 13mm, 14mm, 15mm
- "Try-Me" packaging

DISPLAY WILL INCLUDE GENERIC CARDBOARD BASE AS PICTURED



Part # **CTK128QP**

**128 MECHANIC'S TOOL SET**  **CRESCENT®**

- 5 Piece quarter pallet
- 3/8" Ratcheting drive
- 2 Extensions
- 14 Combination wrenches
- Sockets, bits and Vhex keys included

DISPLAY WILL INCLUDE GENERIC CARDBOARD BASE AS PICTURED



Part # **NSD24**

**DISPLAY, PROFESSIONAL HANDSAWS**



CAT NO.	QTY	DESCRIPTION
NS1501	3	Handsaw, 150 Professional, 24" 8 Point Standard Tooth
NS1502	2	Handsaw, 150 Professional, 24" 12 Point Standard Tooth
NS1503	2	Handsaw, 150 Professional, 20" 8 Point Standard Tooth
NS1504	2	Handsaw, 150 Professional, 15" 8 Point Standard Tooth

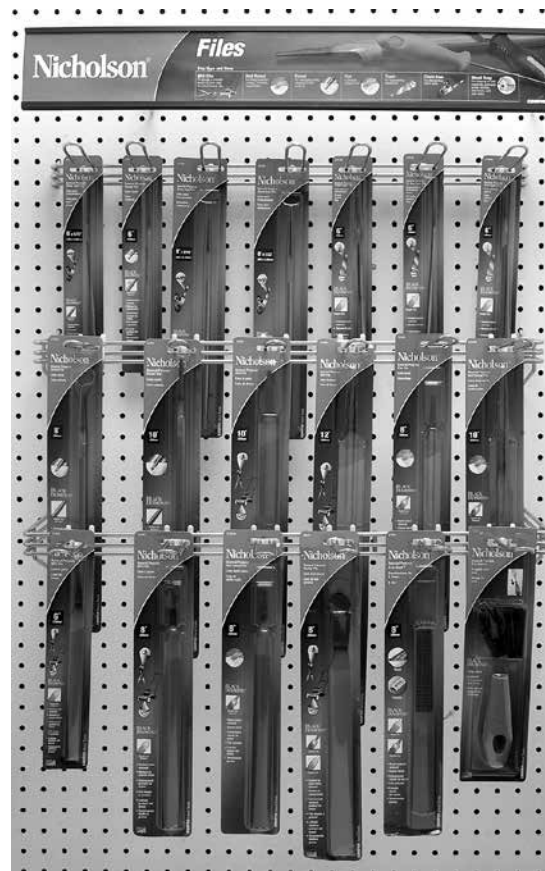


Part # **NFF2**

**DISPLAY, LARGE CARDED ASSORTMENT**



CAT NO.	QTY	DESCRIPTION
21842N	3	Mill Bastard, w/o Handle, 12", Carded
21839N	3	Mill Bastard, w/o Handle, 10", Carded
21862N	3	Flat Bastard, w/o Handle, 8", Carded
21832N	6	Mill Bastard, w/o Handle, 8", Carded
21825N	3	Mill Bastard, w/o Handle, 6", Carded
21858N	3	1/2 Round Bastard, w/o Handle, 10", Carded
21857N	3	1/2 Round Bastard, w/o Handle, 8", Carded
21854	3	Round Bastard, w/o Handle, 10", Carded
21853	3	Round Bastard, w/o Handle, 8", Carded
21846N	3	Round Bastard, w/o Handle, 6", Carded
01630	3	Chainsaw, Round, w/o Handle, 6 X 5/32, Carded
01765	3	Chainsaw, Round, w/o Handle, 8 X 3/16, Carded
01888	3	Chainsaw, Round, w/o Handle, 8 X 7/32, Carded
06601N	3	Handy W/Built-In Handle, 8", Carded
21860N	3	4-In-Hand, Carded, w/o Handle, 8", Carded
21866N	3	Slim Taper, w/o Handle, 6", Carded
21873N	3	X-Slim Taper, w/o Handle, 6", Carded
21874N	3	XX-Slim Taper, w/o Handle, 6", Carded
21474	6	Handle, File Inserts, Carded





Part # **NSD6**  
**DISPLAY, HACKSAW BLADE**



CAT NO.	QTY	DESCRIPTION
63103	10	Hacksaw, Ss1018 Carbon 100/Carton
63112	10	Hacksaw, Ss1024 Carbon 100/Carton
63145	20	Hacksaw, Ss1218 Carbon 100/Carton
63158	20	Hacksaw, Ss1224 Carbon 100/Carton
62635	10	Hacksaw, Nf1018 Bimetal 100/Carton
62659	10	Hacksaw, Nf1024 Bimetal 100/Carton
62706	20	Hacksaw, Nf1214 Bimetal 100/Carton
62723	30	Hacksaw, Nf1218 Bimetal 100/Carton
62749	30	Hacksaw, Nf1224 Bimetal 100/Carton
62776	20	Hacksaw, Nf1232 Bimetal 100/Carton



Part # **NSD25**  
**DISPLAY, PREDATOR  
'HANDSAWS**



CAT NO.	QTY	DESCRIPTION
NSP1	3	Handsaw, Predator, Ergo Handle,
NSP2	3	Handsaw, Predator, Ergo Handle,
NSP5	3	Handsaw, Predator, Ergo Handle,



Part # **NFF1**  
**DISPLAY, SMALL CARDED  
ASSORTMENT**



CAT NO.	QTY	DESCRIPTION
21842N	6	File, Mill Bastard, w/o Hdl.12", Cd
21839N	6	File, Mill Bastard, w/o Hdl.10", Cd
21832N	6	File, Mill Bastard, w/o Hdl. 8", Carded
21825N	6	File, Mill Bastard, w/o Hdl. 6", Carded
21858N	6	File, Half Round Bastard, w/o Hdl.10", Cd
21857N	6	File, Half Round Bastard, w/o Hdl. 8", Cd
06601N	6	File, Handy With Built-In Hdl, 8", Carded
21860N	6	File, 4-In-Hand, w/o Hdl. 8", Carded

Part # NSF1

**DISPLAY, HACKSAW FRAME ASSORTMENT**



CAT NO.	QTY	DESCRIPTION
80950	3	Frame, Economy Hacksaw
80951	3	Frame, General Purpose Hacksaw
80975	4	Frame, High Tension Hacksaw
80965	3	Frame, Premium High Tension Hacksaw



Part # NSF4

**DISPLAY, CARDED HACKSAW BLADE ASSORTMENT**



CAT NO.	QTY	DESCRIPTION
62826	10	Hacksaw, Nf1218 Bimetal 2/Card
62832	10	Hacksaw, Nf1224 Bimetal 2/Card
62839	10	Hacksaw, Nf1232 Bimetal 2/Card
62811	10	Hacksaw, Nf1018 Bimetal 2/Card
62830	10	Hacksaw, Nf1024 Bimetal 2/Card
63280	10	Hacksaw, Ss1232 Flex 2/Card
63256	10	Hacksaw, Ss1218 Flex 2/Card
63268	10	Hacksaw, Ss1224 Flex 2/Card



Part # PF1

**DISPLAY, FIBERGLASS CURVED/RIP CLAW**

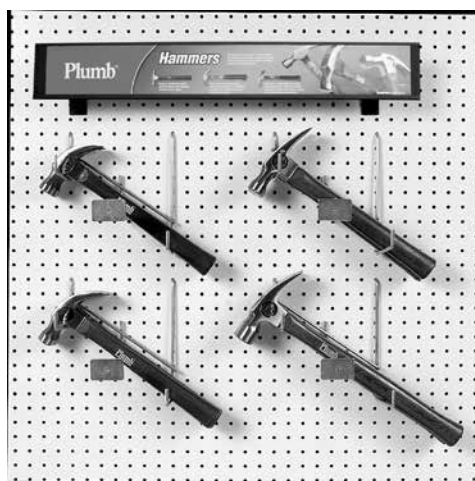


CAT NO.	QTY	DESCRIPTION
11402N	2	Hammer Fiberglass, Premium, Curved Claw, 16 oz
11400N	2	Hammer Fiberglass, Premium, Curved Claw, 20 oz
11415N	2	Hammer, Fiberglass, Premium, Rip Claw, 16 oz
11414N	2	Hammer, Fiberglass, Premium, Rip Claw, 22 oz





## DISPLAYS



Part # **PF3**

### DISPLAY, HICKORY CURVED/ RIP CLAW

**Plumb®**

CAT NO.	QTY	DESCRIPTION
11436	2	Hammer, Hickory Handle, Premium,
11438	2	Hammer, Hickory Handle, Premium,
11442	2	Hammer, Hickory Handle, Premium,
11440	2	Hammer, Hickory Handle, Premium,



Part # **PF9**

### DISPLAY, HOMEOWNER'S SOLID STEEL HAMMERS

**Plumb®**

CAT NO.	QTY	DESCRIPTION
SS16CN	2	Hammer, Solid Steel, 16 Oz, Curved Claw
SS16RN	2	Hammer, Solid Steel, 16 Oz, Rip Claw
SS20CN	2	Hammer, Solid Steel, 20 Oz, Curved Claw
SS20RN	2	Hammer, Solid Steel, 20 Oz, Rip Claw



Part # **PF6P**

### DISPLAY, FIBERGLASS AND SOLID STEEL HAMMERS

**Plumb®**

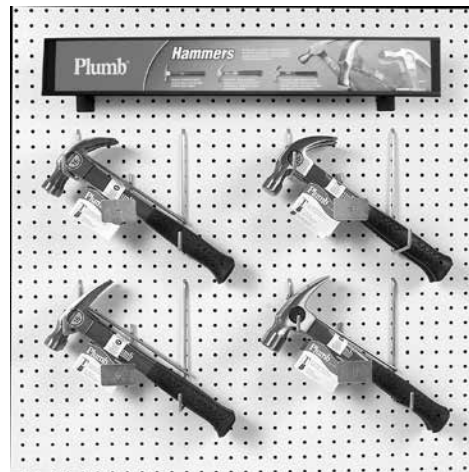
CAT NO.	QTY	DESCRIPTION
SS16CN	2	Hammer, Solid Steel 16 Oz Curved Claw
SS20RN	2	Hammer, Solid Steel, 20 Oz Rip Claw
11402N	2	Hammer, Fiberglass, Premium, Curved Claw, 16 Oz
11420N	2	Hammer, Fiberglass, Premium, Rip Claw, 20 Oz

Part # **PF10**

**DISPLAY, CONTRACTOR'S SOLID STEEL HAMMERS**



CAT NO.	QTY	DESCRIPTION
SS20RN	2	Hammer, Solid Steel, 20 oz. Rip Claw
SS22RN	2	Hammer, Solid Steel, 22 oz. Rip Claw
SS22RCFN	2	Hammer, Solid Steel, 22 oz. Rip Checker Face
SS28RCFN	2	Hammer, Solid Steel, 28 oz. Rip Checker Face



Part # **WEF4**

**WELLER DISPLAY**



CAT NO.	QTY	DESCRIPTION
BP650MP	2	Battery Soldering Iron, Mp Tray (5)
SP15NUS	2	Soldering Iron, 15W, 120V
SP25NUS	2	Soldering Iron, 25W, 120V
SP25NKUS	2	Soldering Iron Kit, 25W, 120V
SP40NUS	2	Soldering Iron, 40W, 120V
7200PKS	1	Soldering Gun Kit, 75W, 120V
8200PKS	1	Soldering Gun Kit, 140/100W, 120V



Part # **WF1**

**DISPLAY, TIN SNIPS ASSORTMENT**



CAT NO.	QTY	DESCRIPTION
A9N	2	Snip, Tinner, Straight, Solid Joint, 12.5"
A11N	2	Snip, Tinner, Straight, Solid Joint, 9.75"
A13N	2	Snip, Tinner, Straight, Solid Joint, 7"
V10N	2	Snip, Tinner, Duckbill, Comb, 10.25"
W12L	2	Snip, Lightweight Aluminum
M300	2	Snip, Long Blade, Compound Action,



## DISPLAYS



Part # **WF7**

### DISPLAY, WISS UTILITY KNIVES

CAT NO.	QTY	DESCRIPTION
RWK14D	2	Blade, Utility Knife, .025", 100/Dispenser
RWK14V	10	Blade, Utility Knife, .025", 5/Cd
RWK16V	10	Blade, Utility, Hook, .025", 5/Cd
WK5V	5	Knife, Heavy Duty, Retractable, Cd
WK8V	5	Knife, Utility, Retractable, Cd
WK500V	5	Knife, Utility, Quick Change, Comfort Grip
WKAR1	5	Knife, 8 pt Snap W/Metal Track, Cd



Part # **WF2**

### DISPLAY, METALMASTER® SNIP ASSORTMENT

CAT NO.	QTY	DESCRIPTION
M1R	3	Snip, Metalmaster, Compound Action, Left Cut
M2R	3	Snip, Metalmaster, Compound Action, Right Cut
M3R	3	Snip, Metalmaster, Cpnd Action, Straight Cut
M6R	2	Snip, Metalmaster, Offset, Left Cut
M7R	2	Snip, Metalmaster, Offset, Right Cut
MPC3	2	Snip, Metal-Wizz, Multipurpose Homeowner's, 9"
M300	2	Snip, Long Blade, Compound Action, Hi-Viz Hd



Part # **WF8**

### DISPLAY, WISS SCISSORS

CAT NO.	QTY	DESCRIPTION
WHCS2	3	Home Craft Sew 2Pc Scissor Set
W812	3	Household, 8.5"
W8TA	3	Take Apart Utility Scissors, 8"
W912	3	Shop Shear, 10"
WEZSNIP	3	Easy Snip Utility Snip



Part # **WF10**

**DISPLAY, NEW WISS  
SCISSORS**



CAT NO.	QTY	DESCRIPTION
W812S	3	Scissor, Stainless Steel, 8 1/2"
W10T	3	Scissor, Titanium Coated, 10"
W7T	3	Utility Scissor, Titanium Coated, 7"
W10TM	3	Scissor, Full Metal, Titanium Coated, 10"



Part # **WISSAVTU**

**WISS AVIATION SNIPS, TINNER  
SNIPS, AND UTILITY KNIVES**



DOES NOT COME WITH PEG BOARD

CAT NO.	QTY	DESCRIPTION
M1R	6	Snip, Metalmaster, C/A, Left, 9.75
M2R	6	Snip, Metalmaster, C/A, Right, 9.75
M3R	6	Snip, Metalmaster, C/A, Strt. 9-3/4
M5R	3	M-5R Bulldog Snips
M6R	3	Snip, Metalmaster, Offset, Lt, 9.25
M7R	3	Snip, Metalmaster, Offset, Rt, 9.25
MPC3	3	Snip, Metal-Wizz, Multi Purpose, 9"
WEZSNIP	3	Easy Snip Utility Shear
A9N	3	12 1/2" Straight Pattern Snips
A13N	3	7" Straight Pattern Snips
WKF1	6	Utility Knife, Folding, Quick Change
WKAR1	6	Utility Knife, Auto-Retracting
RWK18D	3	Utility Blades, Round Point, 100Pc
W912	6	Snip Shop Shear 250Mm W912





Part # **WHVAC1**  
**HVAC TOOLS PLANOGRAM**



CAT NO.	QTY	DESCRIPTION
WC5L	1	5-Blade Crimper (1-5/8" Crimp Depth)
WC5S	1	5-Blade Crimper (1-1/4" Crimp Depth)
WS3	1	3" Hand Seamer
WS4	1	3" Offset Hand Seamer
WS6	1	6" Hand Seamer
WF12	1	12" Folding Tool
WF18	1	18" Folding Tool
WF24	1	24" Folding Tool
WHN1	1	Hand Notcher
WT1	1	Cable Tie Tensioning Tool
	1	Display Board



Part # **WHVAC2**  
**HVAC TOOLS AND SNIPS PLANOGRAM**



CAT NO.	QTY	DESCRIPTION
M1R	1	Aviation Snip, Left Cut
M2R	1	Aviation Snip, Right Cut
WC5L	1	5-Blade Crimper (1-5/8" Crimp Depth)
WS3	1	3" Hand Seamer
WS4	1	3" Offset Hand Seamer
WS6	1	6" Hand Seamer
WT1	1	Cable Tie Tensioning Tool
W12L	1	12" Lightweight Alum. Handle Snip
W14L	1	14" Lightweight Alum. Handle Snip
WF18	1	18" Folding Tool
WF12	1	12" Folding Tool
	1	Display Board

Part # D0729998

**4 FT. LOZIER SQUARE  
PAIL/REEL ASSORTMENT**



CAT NO.	DESCRIPTION	PACKAGE FOOTAGE
<b>ROW 1 – TOP:</b>		
0722004	#10 Decorator, White	40
0722002	#10 Decorator, Black	40
0722000	#10 Decorator Chain, Brass	60
0722003	#10 Decorator, Antique Brass	40
0722006	#10 Decorator, Antique Copper	40
0722010	#10 Decorator, Brushed Nickel	40
0721667	#16 Dbl Jack, Br/Gl	200
0724027	#16 Jack, Blu Krome	250
0801427	#14 Sgl Jack, Z/P Aw	200
0722827	#14 Jack, Black Polycoated Pb	190
0721727	#12 Sgl Jack, Z/P	100
0723817	1/0 Plumbers Chain, Brass	200
0723727	#35 Sash Chain, B/K	100
<b>ROW 2</b>		
7000227	1/16" Cable, Uncoated, Galv.	500
7000327	3/32" Cable, Uncoated, Galv	500
7000427	1/8" Cable, Uncoated, Galv.	500
7000627	3/16" Cable, Uncoated, Galv.	250
7000827	Cable, 1/4" Uncoated	250
7000397	3/32" Cable, Coated, Galv.	250
7000497	1/8" Cable, Coated, Galv.	250
7000697	3/16" Cable, Coated, Galv.	250
7000897	1/4" Cable, Coated, Galv.	200
722957	2/0 Passing Link, Z/P	50
<b>ROW 3</b>		
0723367	#3 St/Lk Machine, Br/Gl	50
0726827	#2 St/Lk Coil, Z/P	125
0726727	#2 St/Lk Machine, Z/P	125
0724627	4/0 Double Loop (Inco), Z/C	100
0725027	3/16" Proof Coil, Yellow Poly Pd	138
<b>ROW 4</b>		
0754126	#1 Double Loop (Inco), Z/C, Sq Pail	450
0752426	2/0 Double Loop (Inco), Z/C, Sq Pail	275
0332426	2/0 St/Lk Coil, Z/P, Sq Pail	225
0322026	2/0 Tw/Lk Machine, Z/P, Sq Pail	175
<b>ROW 5</b>		
0143326	3/16" Proof Coil, Z/P, Sq Pail	150
0143426	1/4" Proof Coil, Z/P, Sq Pail	100
0143526	5/16" Proof Coil, Z/P, Sq Pail	75
0143626	3/8" Proof Coil, Z/P, Sq Pail	45
<b>COMPONENTS</b>		
M7502114	4' Square Pail Display Rack	1 EA.
M7502118	4' Reel Rack	3 EA.
M7509998	Pop Kit (Sign, Bracket, Tape)	1 EA.
ML7509998	Channel Tags	1 EA.
D0729998	4 Ft. Lozier Sq Pail/Reel Assort.	
<b>OPTIONAL CUTTERS</b>		
7508495	Hydraulic Cutter	1 EA.
M7501154	Hydraulic Cutter Bracket (If Ordered)	1 EA.
0390MHX	Hkp Boltcutter	1 EA

**4 FT. LOZIER SQUARE PAIL/REEL ASSORTMENT**

- 3 Rows of Reels
- 2 Rows of Pails

HANGS FROM STORE'S LOZIER FIXTURES (NOT INCLUDED)





**4 FT. LOZIER ROUNE PAIL/REEL ASSORTMANT**

- 3 Rows of Reels
- 2 Rows of Pails

HANGS FROM STORE'S LOZIER FIXTURES (NOT INCLUDED)



Hydraulic cutter not included.  
No charge for rack with purchase of assortment

Part # **D0729994**

**4 FT. LOZIER ROUND PAIL/REEL ASSORTMANT**



CAT NO.	DESCRIPTION	PACKAGE FOOTAGE
<b>ROW 1 – TOP:</b>		
0722004	#10 Decorator, White	40
0722002	#10 Decorator, Black	40
0722000	#10 Decorator Chain, Brass	60
0722003	#10 Decorator, Antique Brass	40
0722006	#10 Decorator, Antique Copper	40
0722010	#10 Decorator, Brushed Nickel	40
0721667	#16 Dbl Jack, Br/Gl	200
0724027	#16 Jack, Blu Krome	250
AW0801427	#14 Sgl Jack, Z/P	200
PB0722827	#14 Jack, Black Polycoated	190
0721727	#12 Sgl Jack, Z/P	100
0723817	1/0 Plumbers Chain, Brass	200
0723727	#35 Sash Chain, B/K	100
<b>ROW 2</b>		
7000227	1/16" Cable, Uncoated, Galv.	500
7000327	3/32" Cable, Uncoated, Galv	500
7000427	1/8" Cable, Uncoated, Galv.	500
7000627	3/16" Cable, Uncoated, Galv.	250
7000827	Cable, 1/4" Uncoated	250
7000397	3/32" Cable, Coated, Galv.	250
7000497	1/8" Cable, Coated, Galv.	250
7000697	3/16" Cable, Coated, Galv.	250
7000897	1/4" Cable, Coated, Galv.	200
0722957	2/0 Passing Link, Z/P	50
<b>ROW 3</b>		
0724627	4/0 Double Loop (Inco), Z/C	100
0723227	# 3 Double Loop (Inco), Z/C	200
0722527	2/0 Twist Link Machine Chain, Z/P	70
0723367	#3 St/Lk Machine, Br/Gl	50
0726827	#2 St/Lk Coil, Z/P	125
PD0725027	Proof Coil 3/16 Yellow Polycoated	100
<b>ROW 4</b>		
0752023	2/0 Double Loop (Inco), Z/C, Round Pail	350
0332023	2/0 Straight Link Coil, Z/P, Round Pail	400
0140323	3/16" Proof Coil, Z/P, Round Pail	250
<b>ROW 5</b>		
0752023	1/4" Proof Coil, Z/P, Round Pail	141
0332023	5/16" Proof Coil, Z/P, Round Pail	92
0140323	3/8" Proof Coil, Z/P, Round Pail	63
<b>COMPONENTS</b>		
M7502114	4' Round Pail Display Rack	1 EA.
M7502118	4' Reel Rack	3 EA.
M7509998	Pop Kit (Sign, Bracket, Tape)	2 EA.
M7507720	Channel Tags	1 EA.
D0729994	4 Ft. Lozier Rd Pail/Reel Assort.	
<b>OPTIONAL CUTTERS</b>		
7508495	Hydraulic Cutter	1 EA
M7501154	Hydraulic Cutter Bracket (If Ordered)	1 EA.
0390MHX	Hkp Boltcutter	1 EA

Part # **D0729941**

**4 FT. LUMBER YARD LOZIER ASSORTMENT SQUARE PAILS AND REELS**



CAT NO.	DESCRIPTION	PACKAGE FOOTAGE
<b>ROW 1 – TOP</b>		
7000227	Cable, Uncoated, 1/16 Bk, 500'/RI	500
7000327	Cable, 3/32, Uncoated, Bk, 500'/RI	500
7000427	Cable, 1/8, Uncoated, Bk, 500'/RI	500
7000627	Cable, Unctd, 3/16", B/K, 250'/RI	250
7000827	Cable, 1/4, Uncoated, Bk, 250'/RI	250
7000197	Cable, 1/16" 1X7 Coated Green, 250' Reel	250
7000397	Cable, 3/32-3/16, Coated, Bk, 250'	250
7000497	Cable, 1/8-3/16, Coated, Bk, 250'/R	250
7000697	Cable, Ctd, 3/16-1/4" B/K, 250'/RI	250
7000897	Cable, 1/4-5/16, Coated, Bk, 200'/R	200
<b>ROW 2</b>		
0722627	Double Loop (Inco), #1, Z/C, 125'/RI	125
0722027	Double Loop (Inco), 2/0, Z/C, 155'/RI	125
0723227	Double Loop (Inco), #3, Z/C, 200'/RI	200
PS0332027	Coil Chain, 2/0 St/Lk, W/Sleeve, 60' RI	60
0722957	Passing Link, 2 / 0, Z/ P, 50' /RI	50
0722527	Mach Chain T w/Lk, 2/ 0, Z/ P, 70'/RI	70
<b>ROW 3</b>		
0143326	Proofcoil Chain, 3/16, Z/P, 150'/ Sq PI	150
0143426	Proofcoil Chain, 1/ 4, Z/P, 100'/Sq PI	100
0143526	Proofcoil Chain, 5/16, Z/P, 75'/Sq PI	75
0143626	Proofcoil Chain, 3/8, Z/P, 45'/Sq PI	45
<b>ROW 4</b>		
0332426	Coil Chain, St/Lk, 2/0, Z/P, 225'/Sq PI	225
0184416	Hightest Chain, 1/4, S/P, 100'/Sq PI	100
0184516	Hightest Chain, 5/16, S/P, 60'/Sq PI	60
0184616	Hightest Chain, 3/8, S/P, 40'/Sq PI	40
<b>COMPONENTS</b>		
M7502114	4' Square Pail Display Rack	1 EA.
M7502118	4' Reel Rack	2 EA.
M7507720	Channel Tags	1 EA.
<b>OPTIONAL CUTTERS</b>		
7508495	Hydraulic Cutter	1 EA.
M7501154	Hydraulic Cutter Bracket (If Ordered)	1 EA.
0390MHX	Hkp Boltcutter	1 EA.

**4 FT. LUMBER YARD LOZIER ASSORTMENT SQUARE PAILS AND REELS**

- 2 Rows of Reels
- 2 Rows of Pails

HANGS FROM STORE'S LOZIER FIXTURES (NOT INCLUDED)



*Hydraulic cutter not included.  
No charge for rack with purchase of assortment*

## 4 FT. FARM / AG LOZIER ASSORTMENT SQUARE PAILS AND REELS

- 2 Rows of Reels
- 2 Rows of Pails

HANGS FROM STORE'S LOZIER FIXTURES (NOT INCLUDED)



Part # **D0729944**

## 4 FT. FARM / AG LOZIER ASSORTMENT SQUARE PAILS AND REELS



CAT NO.	DESCRIPTION	PACKAGE FOOTAGE
<b>ROW 1 – TOP</b>		
7000327	Cable, 3/32, Uncoated, Bk, 500'/RI	500
7000427	Cable, 1/8, Uncoated, Bk, 500'/RI	500
7000627	Cable, Unctd, 3/16", B/K, 250'/RI	250
7000827	Cable, 1/4, Uncoated, Bk, 250'/RI	250
7000927	Cable, 5/16", Uncoated, 7X19, 200' Reel	200
0723727	Sash Chain, #35, Z/P, 100'/RI	100
0721727	Jack Sgl Stl Chain, 12, Z/P, 100'/RI	100
0722087	Double Loop (Inco), 2/0, Z/C, 60'/RI	60
0722827	Coil Chain St/Lk, 2/0, Z/P, 40'/RI	40
0724027	Jack Chain Steel, #16, Z/P, 250'/RI	250
0723227	Double Loop (Inco), #3, Z/C, 200'/RI	200
<b>ROW 2</b>		
0722957	Passing Link, 2/0, Z/P, 50'/RI	50
0722527	Mach Chain Tw/Lk, 2/0, Z/P, 70'/RI	70
PD0722087	Double Loop (Inco) Chain, 2/0, Yel, 50' Reel	50
0190424	5/32" Stainless Steel Chain 50' /Reel	50
0723169	Handy Link Chain, Z/P, 175'/RI	175
0724627	Double Loop (Inco), 4/0, Z/C, 100'/RI	100
<b>ROW 3</b>		
0143326	Proofcoil Chain, 3/16, Z/P, 150'/Sq PI	150
0143426	Proofcoil Chain, 1/4, Z/P, 100'/Sq PI	100
0143526	Proofcoil Chain, 5/16, Z/P, 75'/Sq PI	75
0143626	Proofcoil Chain, 3/8, Z/P, 45'/Sq PI	40
<b>ROW 4</b>		
0184516	Highest Chain, 5/16, S/P, 60'/Sq PI	60
0184616	Highest Chain, 3/8, S/P, 40'/Sq PI	40
0510526	Transport Chain, 5/16", Y/C, 50'/Sq PI	50
0510626	Transport Chain, 3/8", Y/C, 45'/Sq PI	45
<b>COMPONENTS</b>		
M7502114	4' Square Pail Display Rack	
M7502118	4' Reel Rack	
M7507720	Channel Tags	
D0729944	4 Ft. Farm / Ag Assortment	
<b>OPTIONAL CUTTERS</b>		
7508595	Hydraulic Cutter	1 EA.
M7501154	Hydraulic Cutter Bracket (If Ordered)	1 EA.
0390MHX	Hkp Boltcutter	1 EA.

Hydraulic cutter not included.  
No charge for rack with purchase of assortment



**3 FT. 3 SIDED ENDCAP DISPLAY**

- 6 Rows of Reels
- 2 Rows of Square Pails
- 3 foot – 3 sided chain endcap merchandiser #D0720139
- Ideal for merchandising chain and wire rope on gondola endcaps
- Pail shelves accommodate both round and square pails
- Display accommodates optional hobby / craft add on tray

Part # **7508495**  
Optional Chain Cutter



Part # **D0720139**

**3 FT. 3 SIDED ENDCAP DISPLAY**



CAT NO.	DESCRIPTION	PACKAGE FOOTAGE
<b>ROW 1 – TOP</b>		
0722000	#10 Decorator Chain, Brass	60
0722002	#10 Decorator, Black	40
0722004	#10 Decorator, White	40
0722003	#10 Decorator, Antique Brass	40
0722007	#10 Decorator, Antique Silver	40
0722006	#10 Decorator, Antique Copper	40
0723727	#35 Sash Chain, B/K	100
0723817	1/0 Plumbers Chain, Brass	200
PB0722827	#14 Jack, Black Polycoated	190
<b>ROW 2</b>		
7000327	3/32" Cable, Uncoated, Galv.	500
7000227	1/16" Cable, Uncoated, Galv.	500
7000197	1/16" Cable, Coated Green	250
0723227	#3 Double Loop (Inco), Z/C	200
0721667	#16 Dbl Jack, Br/Gl	200
0724027	#16 Jack, Blu Krome	250
0801427	#14 Sgl Jack, Z/P Aw	200
0721727	#12 Sgl Jack, Z/P	100
<b>ROW 3</b>		
7000397	3/32" Cable, Coated, Galv.	250
7000427	1/8" Cable, Uncoated, Galv.	500
7000497	1/8" Cable, Coated, Galv.	250
7000627	3/16" Cable, Uncoated, Galv.	250
7000697	Cable,Ctd,3/16-1/4"B/K,250'/RI	250
7000827	Cable, 1/4" Uncoated	250
7000897	1/4" Cable, Coated, Galv.	200
<b>ROW 4</b>		
0723167	#3 Tw/Lk Coil, Brass Glo	50
PS0332027	2/0 St/Lk Coil W/Green Sleeve	60
0723367	#3 St/Lk Machine, Br/Gl	50
0723169	Handy Link, Z/P	175

CAT NO.	DESCRIPTION	PACKAGE FOOTAGE
<b>ROW 5</b>		
0726627	#2 Tw/Lk Machine, Z/P	125
726727	#2 St/Lk Machine, Z/P 0	125
PD0722087	2/0 Double Loop (Inco), Yellow Polycoat	50
0726827	#2 St/Lk Coil, Z/P	125
<b>ROW 6</b>		
PD0725027	3/16" Proof Coil, Yellow Poly	138
0722927	2/0 Passing Link, Z/P	125
0724627	4/0 Double Loop (Inco), Z/C	100
<b>LEFT SIDE PAILS</b>		
7000397	3/32" Cable, Coated, Galv.	250
7000427	1/8" Cable, Uncoated, Galv.	500
7000497	1/8" Cable, Coated, Galv.	250
<b>RIGHT SIDE PAILS</b>		
0754126	#1 Double Loop (Inco), Z/C, Sq Pail	450
0752426	2/0 Double Loop (Inco), Z/C, Sq Pail	275
0332426	2/0 St/Lk Coil, Z/P, Sq Pail	225
0322026	2/0 Tw/Lk Machine, Z/P, Sq Pail	175
<b>RIGHT SIDE PAILS</b>		
M7503002	Endcap Small Reel Trays	1 EA.
M7503003	Endcap Reel Trays	1 EA.
M7503004	Endcap Pail Shelves	2 EA.
M7503005	Display Rack Uprights (Reels)	1 EA.
M7503006	Display Rack Uprights (Pails)	1 EA.
M7507720	Channel Tag Labels	1 EA.
D0720139	3 Ft. Square Pail/Reel Assortment	
<b>OPTIONAL CUTTERS</b>		
7508495	Hydraulic Cutter	1 EA.
0390MHX	Hkp Boltcutter	1 EA.

**2 FT. FARM / AG SQUARE PAIL / REEL ASSORTMENT**

- 3 Rows of Reels
- 2 Rows of Square Pails



Part # **D0720125**

**2 FT. FARM / AG SQUARE PAIL / REEL ASSORTMENT**



CAT NO.	DESCRIPTION	PACKAGE FOOTAGE
<b>ROW 1 – TOP</b>		
PD0722087	2/0 Inco, Yellow	50
0722627	#1 Inco, Blu/Krome	125
0723227	#3 Inco, Blu Krome	200
PG0722227	#3 Inco, Red	150
<b>ROW 2</b>		
0722827	2/0 St/Lk Coil, Blu Krome	40
0723169	Handy Link Utility	175
0723727	#35 Sash, Blu Krome	100
<b>ROW 3</b>		
0722957	Reel, 2/0 Passing Link, 50Ft	50
7000627	Cable Uncoated 3/16" B/K 250'/RI	250
7000497	Cable 1/8"-3/16" Coated Bk 250'/R	250
7000427	Cable 1/8" Uncoated Bk 500'/RI	500
7000327	Cable 3/32" Uncoated Bk 500'/RI	500
<b>ROW 4</b>		
0143326	3/16" Proof Coil, Blu Krome	150
0143426	1/4" Proof Coil, Blu Krome	100
<b>ROW 5</b>		
0143526	5/16" Proof Coil, Blu Krome	75
0143626	3/8" Proof Coil, Blu Krome	45
<b>COMPONENTS</b>		
M7502000	Display Rack Uprights	1 EA.
M7502001	2 Ft. Reel Tray	3 EA.
M7502002	2 Ft. Pail Tray	2 EA.
M7507720	Channel Tag Labels	1 EA.
D0720125	2 Ft. Farm/ Ag Sq Pail/Reel Assort	
<b>OPTIONAL CUTTERS</b>		
7508495	Hydraulic Cutter	1 EA.
0390MHX	Hkp Boltcutter	1 EA.

Part # D0720131

**3 FT. SQUARE PAIL/REEL ASSORTMENT**



CAT NO.	DESCRIPTION	PACKAGE FOOTAGE
<b>ROW 1 – TOP</b>		
0722000	#10 Decorator Chain, Solid Brass	60
0722004	#10 Decorator, White	40
0722002	#10 Decorator, Black	40
0723727	#35 Sash	100
0724027	#16 Jack, Blu Krome	250
PB0722827	#14 Jack, Blu Krome	190
0721727	#12 Jack, Blu Krome	100
0723227	#3 Inco Blu Krome	200
<b>ROW 2</b>		
0722957	2/0 Passing Link, Blu Krome	50
0722527	2/0 Twist Link Machine, Blu Krome	70
0723169	Handy Link Utility Chain, Blu Krome	175
0722427	3/0 Lock Link, Blu Krome	50
0722627	#1 Inco, Blu Krome	125
<b>ROW 3</b>		
7000197	1/16" 1X7 Green Vinyl Coated Cable	250
7000327	3/32" Uncoated Cable, Galv.	500
7000427	1/8" Uncoated Cable, Galv.	500
7000627	3/16" Uncoated Cable, Galv	250
7000397	3/32"-3/16" Vinyl Coated Cable	250
7000497	1/8"-3/16" Vinyl Coated Cable	250
7000697	3/16"-1/4" Vinyl Coated Cable	250
7000827	Cable, 1/4" Uncoated	250
<b>ROW 4</b>		
0143326	3/16" Proof Coil, Blu Krome	150
0143426	1/4" Proof Coil, Blu Krome	100
0752426	2/0 Inco Zinc	275
<b>ROW 5</b>		
0143526	5/16" Proof Coil, Blu Krome	75
0143626	3/8" Proof Coil, Blu Krome	45
0332426	2/0 St Link Coil Chain, B/K	225
<b>COMPONENTS</b>		
M7502000	Display Rack Uprights	1 EA.
M7502003	3 Ft Reel Tray	3 EA.
M7502004	3 Ft Pail Tray	2 EA.
M7507720	Channel Tag Labels	1 EA.
D0720131	3 Ft. Square Pail/Reel Assortment	
<b>OPTIONAL CUTTERS</b>		
7508495	Hydraulic Cutter	1 EA.
0390MHX	Hkp Boltcutter	1 EA.

**3 FT. SQUARE PAIL/REEL ASSORTMENT**

- 3 Rows of Reels
- 2 Rows of Square Pails





**3 FT. ROUND & SQUARE  
PAIL/REEL ASSORTMENT**

- 3 Ft. Round & Square
- Pail/Reel Assortment
- 3 Rows of Reels



Part # **D0720132**

**3 FT. ROUND & SQUARE  
PAIL/REEL ASSORTMENT**



CAT NO.	DESCRIPTION	PACKAGE FOOTAGE
<b>ROW 1 – TOP</b>		
0722004	#10 Decorator, White	40
0722002	#10 Decorator, Black	40
0722000	#10 Decorator, Brass	60
0721727	#12 Jack, Blu Krome	100
0724027	#16 Jack, Blu Krome	250
0723727	#35 Sash	100
0723227	#3 Inco, Blu Krome	200
0722627	#1 Inco, Blu Krome	125
<b>ROW 2</b>		
PD0722087	2/0 Inco Yellow	50
0722087	2/0 Inco	60
0723169	Handy Link Utility	175
0722527	2/0 Machine Twist Bk	70
0722957	2/0 Passing Link Bk	50
<b>ROW 3</b>		
7000227	Cable, Uncoated, 1/16" Bk	500
7000327	Cable, Uncoated, 3/32" Bk	500
7000427	Cable, Uncoated, 1/8", Galv.	500
7000397	Cable, Coated, 3/32", Galv.	250
7000497	Cable, Coated, 1/8", Galv.	250
7000627	Cable, Uncoated, 3/16", Galv.	250
7000697	Cable, Coated, 3/16", Galv.	250
7000827	Cable, 1/4" Uncoated	250
<b>ROW 4</b>		
0332426	2/0 Straight Link Coil	225
0143326	3/16" Proof Coil, Bk	150
0143426	1/4" Proof Coil, Bk	100
<b>ROW 5</b>		
0140523	5/16" Proof Coil, Bk	92
0140623	3/8" Proof Coil, Bk	63
<b>COMPONENTS</b>		
M7502000	Display Rack Uprights	1 EA.
M7502003	3 Ft Reel Tray	3 EA.
M7502004	3 Ft Pail Tray	2 EA.
M7507720	Channel Tag Labels	1 EA.
D0720131	3 Ft. Square Pail/Reel Assortment	
<b>OPTIONAL CUTTERS</b>		
7508495	Hydraulic Cutter	1 EA.
0390MHX	Hkp Bolt Cutter	1 EA.

Part # D0720133

**3 FT. ROUND PAIL/REEL ASSORTMENT**



CAT NO.	DESCRIPTION	PACKAGE FOOTAGE
<b>ROW 1 – TOP</b>		
0722004	#10 Decorator, White	40
0722002	#10 Decorator, Black	40
0722000	#10 Decorator, Brass	60
0721727	#12 Jack, Blu Krome	100
0724027	#16 Jack, Blu Krome	250
0723727	#35 Sash	100
0723227	#3 Inco, Blu Krome	200
0722627	#1 Inco, Blu Krome	125
<b>ROW 2</b>		
PD0722087	2/0 Inco Yellow	50
0722087	2/0 Inco	60
0723169	Handy Link Utility	175
0722527	2/0 Machine Twist Bk	70
0722957	2/0 Passing Link Bk	50
<b>ROW 3</b>		
7000227	Cable, Uncoated, 1/16" Bk	500
7000327	Cable, Uncoated, 3/32" Bk	500
7000427	Cable, Uncoated, 1/8", Galv.	500
7000397	Cable, Coated, 3/32", Galv.	250
7000497	Cable, Coated, 1/8", Galv.	250
7000627	Cable, Uncoated, 3/16", Galv.	250
7000697	Cable, Coated, 3/16", Galv.	250
7000827	Cable, 1/4" Uncoated	250
<b>ROW 4</b>		
0140323	3/16" Proof Coil, Bk	250
0143326	1/4" Proof Coil, Bk	141
<b>ROW 5</b>		
0140523	5/16" Proof Coil, Bk	92
0140623	3/8" Proof Coil, Bk	63
<b>COMPONENTS</b>		
M7502000	Display Rack Uprights	1 EA.
M7502003	3 Ft Reel Tray	3 EA.
M7502004	3 Ft Pail Tray	2 EA.
M7507720	Channel Tag Labels	1 EA.
D0720131	3 Ft. Square Pail/Reel Assortment	
<b>OPTIONAL CUTTERS</b>		
7508495	Hydraulic Cutter	1 EA.
0390MHX	Hkp Bolt Cutter	1 EA.

**3 FT. ROUND PAIL/REEL ASSORTMENT**

- 3 Rows of Reels
- 2 Rows of Round Pails



**3 FT. SQUARE PAIL ASSORTMENT**

- 2 Rows of Reels
- 3 Rows of Squire Pails



Part # **D0720134**

**3 FT. SQUARE PAIL ASSORTMENT**



CAT NO.	DESCRIPTION	PACKAGE FOOTAGE
<b>ROW 1 – TOP</b>		
0722002	#10 Decorator, Black	40
0720428	Chain, #4 Decorator, 90'/RI B/K	90
0723727	#35 Sash	100
0724027	#16 Jack, Blu Krome	250
0721727	#12 Jack, Blu Krome	100
0723227	#3 Inco, Zinc 200'/RI	200
0722627	#1 Inco, Zinc 125'/RI	125
<b>ROW 2</b>		
PS0332027	2/0 Inco With Sleeve	60
0723169	Handy Link Utility	175
0722957	2/0 Passing Link, B/K	50
0722527	2/0 Twisted Link Machine, Bk	70
<b>ROW 3</b>		
0752426	2/0 Inco Bk	275
0332426	2/0 Straight Coil, Bk	225
0184416	1/4" High Test Sp	100
<b>ROW 4</b>		
0143326	3/16" Proof Coil, Blue Krome	150
0143426	1/4" Proof Coil, Blue Krome	100
0184516	5/16" High Test Sp	60
<b>ROW 5</b>		
0143526	5/16" Proof Coil, Blue Krome	75
0143626	3/8" Proof Coil, Blue Krome	45
0510526	5/16" System 7	45
<b>COMPONENTS</b>		
0143526	Display Rack Uprights	1 EA.
0143626	3 Ft Reel Tray	3 EA.
0510526	3 Ft Pail Tray	2 EA.
M7507720	Channel Tag Labels	1 EA.
D0720131	3 Ft. Square Pail/Reel Assortment	
<b>OPTIONAL CUTTERS</b>		
7508495	Hydraulic Cutter	1 EA.
0390MHX	Hkp Bolt Cutter	1 EA.



Part # D0720144

**4 FT. ROUND PAIL/REEL ASSORTMENT**



CAT NO.	DESCRIPTION	PACKAGE FOOTAGE
<b>ROW 1 – TOP</b>		
0722002	#10 Decorator, Black	40
0722004	#10 Decorator, White	40
0722000	#10 Decorator, Brass	60
0722003	#10 Decorator Antique Brass	40
0722010	#10 Decorator Brushed Nickel	40
0723727	#35 Sash, Bk	100
0721667	#16 Jack, Brass Glo	200
0724027	#16 Jack, Bk	250
PB0722827	#14 Jack, Black Poly	190
0721727	#12 Jack, Bk	100
0723227	#3 Inco, Bk	200
<b>ROW 2</b>		
7000227	Cable, Uncoated, 1/16"	500
0722627	#1 Inco, Bk	125
PS0332027	2/0 Sr/Lk Coil With Sleeve	60
0723169	Handy Link Utility	175
0722527	2/0 Machine Twist, Bk	70
0722957	2/0 Passing Link, Bk	50
<b>ROW 3</b>		
7000197	Cable 1/16" 1X7 Coated Green	250
7000327	Cable, Uncoated, 3/32", Galv.	500
7000397	Cable, Coated, 3/32", Galv.	250
7000427	Cable, Uncoated, 1/8", Galv.	500
7000497	Cable, Coated, 1/8", Galv.	250
7000627	Cable, Uncoated 3/16", Galv.	250
7000697	Cable, Coated, 3/16", Galv.	250
7000827	Cable, 1/4" Uncoated	250
7000897	Cable 1/4" - 5/16" Coated, Galv.	200
<b>ROW 4</b>		
0140323	3/16" Proof Coil, B/K	250
0140423	1/4" Proof Coil, B/K	141
0752023	2/0 Inco, Zinc	350
<b>ROW 5</b>		
0140523	5/16" Proof Coil, B/K	92
0140623	3/8" Proof Coil, B/K	63
0332023	2/0 St/Lk Coil, B/K	400
<b>COMPONENTS</b>		
M7502000	Display Rack Uprights	1 EA
M7502005	4 Ft. Reel Tray	3 EA
M7502006	4 Ft. Pail Tray	2 EA
M7507720	Channel Tag Labels	1 EA
D0720144	4 Ft. Round Pail/Reel Assort.	
<b>OPTIONAL CUTTERS</b>		
7508495	Hydraulic Cutter	1 EA.
0390MHX	Hkp Boltcutter	1 EA

**4 FT. ROUND PAIL/REEL ASSORTMENT**

- 3 Rows of Reels
- 2 Rows of Round Pails



**FARM FITTING DISPLAY**

- DD0720180
- DD0720181
- DD0720182
- One shelf pack of all items in Open Stock Section



Part # **D0720468**

**FARM FITTING DISPLAY**



CAT NO.	DESCRIPTION	QTY
<b>FARM CLEVIS DISPLAY</b>		
DD0720180	Farm Clevis Display	
T9640405	1/4" Farm Clevis	2
T9640505	5/16" Farm Clevis	2
T9640605	3/8" Farm Clevis	2
T9640705	7/16" Farm Clevis	2
T9640805	1/2" Farm Clevis	2
T9641005	5/8" Farm Clevis	1
T9641205	3/4" Farm Clevis	1
<b>UTILITY CLEVIS DISPLAY</b>		
DD0720181	Utility Clevis Display	
T9420405	1/4" Utility Clevis	2
T9420505	5/16" Utility Clevis	2
T9420605	3/8" Utility Clevis	2
T9420705	7/16" Utility Clevis	2
T9420805	1/2" Utility Clevis	2
T9421005	5/8" Utility Clevis	1
<b>HITCH PIN DISPLAY</b>		
DD0720182	Hitch Pin Display	
T3899733	3/8" X 3" Hitch Pin	2
T3899724	1/2" X 4-1/4" Hitch Pin	2
T3899720	5/8" X 4" Hitch Pin	2
T3899752	5/8" X 6" Hitch Pin	2
T3899728	3/4" X 4" Hitch Pin	2
T3899736	7/8" X 4-1/4" Hitch Pin	2
<b>OPEN STOCK SECTION</b>		
B3899814	1/4" Hitch Pin Clip,2/Bag	10
B3899816	1/16" Hitch Pin Clip,10/Bag	10
B3899818	1/8" Hitch Pin Clip,10/Bag	10
B3899832	3/32" Hitch Pin Clip,10/Bag	10
B3899836	3/16" Hitch Pin Clip,5/Bag	10
B3899852	5/32" Hitch Pin Clip,7/Bag	10
T3899910	1/2" X 3-5/8" Red Head Hitch Pin	5
T3899917	1" X 7-1/2" Red Head Hitch Pin	1
T3899934	3/4" X 4-1/2" Red Head Hitch Pin	2
T3899936	3/4" X 6-1/2" Red Head Hitch Pin	2
T3899954	5/8" X 4" Red Head Hitch Pin	5
T3899956	5/8" X 5-1/2" Red Head Hitch Pin	5
T3899976	7/8" X 6-1/2" Red Head Hitch Pin	1
T3899744	1" X 4-1/2" Hitch Pin	2
T3899760	3/4" X 6-1/4" Hitch Pin	4
T3899768	7/8" X 6-1/2" Hitch Pin	2
T3899776	1" X 6-3/4" Hitch Pin	2
T3899910	7/8" Sb Straight Clevis	5
T3899913	7/8" Sb Twisted Clevis	3
T3899916	7/8" Lb Straight Clevis	2
T3899919	7/8" Lb Twisted Clevis	2
T9501805	1/2" Draw Bar Hook	1
T9641405	7/8" Farm Clevis	1
T9641605	1" Farm Clevis	1
T9641805	1-1/8" Farm Clevis	1
T9642005	1-1/4" Farm Clevis	1
M7504139	Pop Sign/Card Kit	1

Part # 7508595

**HYDRAULIC CHAIN CUTTER #80**

- Capacity: 3/8" alloy/ transport or to 1/2" high test chain
- Can be mounted to Campbell Free Standing or Lozier Display
- MADE IN USA



Part # 7508495

**HYDRAULIC CHAIN CUTTER #60**

- Capacity: 3/8" High Test
- Can be mounted to Campbell Free Standing or Lozier Display
- MADE IN USA



Part # DD0720160

**FORGED EYE HOOKS GRADE 43**



CAT NO.	DESCRIPTION	QTY
	Tryon Hooks	8
	Backer Board	1
T9001424	1/4" Eye Grab Hook, (Gr 43)	2
T9001524	5/16" Eye Grab Hook, (Gr 43)	2
T9001624	3/8" Eye Grab Hook, (Gr 43)	2
T9001824	1/2" Eye Grab Hook, (Gr 43)	2
T9101424	1/4" Eye Slip Hook, (Gr 43)	2
T9101524	5/16" Eye Slip Hook, (Gr 43)	2
T9101624	3/8" Eye Slip Hook, (Gr 43)	2
T9101824	1/2" Eye Slip Hook, (Gr 43)	2







Part # **DD0720161**

**FORGED CLEVIS GRAB HOOKS  
GR. 43 & GR. 70**



CAT NO.	DESCRIPTION	QTY
	Tryon Hooks	6
	Backer Board	1
T9501424	1/4" Clevis Grab Hook, (Gr 43)	2
T9501524	5/16" Clevis Grab Hook, (Gr 43)	2
T9501624	3/8" Clevis Grab Hook, (Gr 43)	2
T9501824	1/2" Clevis Grab Hook, (Gr 43)	2
T9503415	5/16" Clevis Grab Hook, (Gr 70)	2
T9503515	3/8" Clevis Grab Hook, (Gr 70)	2



Part # **DD0720162**

**FORGED CLEVIS SLIP  
HOOKS GR. 43**



CAT NO.	DESCRIPTION	QTY
	Tryon Hooks	10
	Backer Board	1
T9401424	1/4" Clevis Slip Hook, (Gr 43)	2
T9401524	5/16" Clevis Slip Hook, (Gr 43)	2
T9401624	3/8" Clevis Slip Hook, (Gr 43)	2
T9401824	1/2" Clevis Slip Hook, (Gr 43)	2
T9700424	1/4" Clevis Slip Hook W/Latch, (Gr 43)	2
T9700524	5/16" Clevis Slip Hook W/Latch, (Gr 43)	2
T9700624	3/8" Clevis Slip Hook W/Latch, (Gr 43)	2
T5423300	1/4"-5/16" Double Clevis, (Gr 43)	2
T5423301	3/8" Double Clevis, (Gr 43)	2
T5423302	7/16"-1/2" Double Clevis, (Gr 43)	2

Part # DD0720164

**FORGED EYE & EYE SWIVELS  
INDUSTRIAL GRADE**



CAT NO.	DESCRIPTION	QTY
	Tryon Hooks	10
	Backer Board	1
T9630335	3/16" Eye & Eye Swivel, Forged, Gal	2
T9630435	1/4" Eye & Eye Swivel, Forged, Gal	2
T9630535	5/16" Eye & Eye Swivel, Forged, Gal	2
T9630635	3/8" Eye & Eye Swivel, Forged, Gal	2
T9630835	12" Eye & Eye Swivel, Forged, Gal	2



Part # DD0720165

**FORGED SCREW PIN SHACKLES  
INDUSTRIAL GRADE**



CAT NO.	DESCRIPTION	QTY
	Tryon Hooks	8
	Backer Board	1
T9640335	3/16" Scr Pin Shackle, Forged, Gal	2
T9640435	1/4" Scr Pin Shackle, Forged, Gal	2
T9640535	5/16" Scr Pin Shackle, Forged, Gal	2
T9640635	3/8" Scr Pin Shackle, Forged, Gal	2
T9640835	1/2" Scr Pin Shackle, Forged, Gal	2
T9641035	5/8" Scr Pin Shackle, Forged, Gal	2
T9641235	3/4" Scr Pin Shackle, Forged, Gal	2
T9641435	7/8" Scr Pin Shackle, Forged, Gal	2





Part # DD0720166

WIRE ROPE CLIPS & THIMBLES



CAT NO.	DESCRIPTION	QTY
	Tryon Hooks	25
	Backer Board	1
T7670409	1/16" Wire Rope Clip	4
T7670419	1/8" Wire Rope Clip	4
T7670429	3/16" Wire Rope Clip	4
T7670439	1/4" Wire Rope Clip	4
T7670449	5/16" Wire Rope Clip	4
T7670459	3/8" Wire Rope Clip	4
T7670479	1/2" Wire Rope Clip	4
T7670489	5/8" Wire Rope Clip	4
T7670499	3/4" Wire Rope Clip	4
T7670609	1/8" Wire Rope Thimble	2
T7670619	3/16" Wire Rope Thimble	2
T7670629	1/4" Wire Rope Thimble	2
T7670639	5/16" Wire Rope Thimble	2
T7670649	3/8" Wire Rope Thimble	2
T7670659	1/2" Wire Rope Thimble	2
T7670669	5/8" Wire Rope Thimble	2



Part # DD0720167

REPAIR/LAP LINKS & COLD SHUTS



CAT NO.	DESCRIPTION	QTY
	Tryon Hooks	12
	Backer Board	1
T5950024	Repair Link, 1/8X3/4", Z/P, Tagged	2
T5950124	Repair Link, 3/16X1", Z/P, Agged	4
T5950324	Repair Link, 1/4X1 1/4", Z/P, Agged	4
T5950724	Repair Link, 5/16X1 1/2", Z/P, Tagged	2
T5950924	Repair Link, 3/8X1-5/8" Z/P, Tagged	2
T4900324	3/16" Cold Shut, Zinc Plated	2
T4900424	1/4" Cold Shut, Zinc Plated	2
T4900524	5/16" Cold Shut, Zinc Plated	2
T4900624	3/8" Cold Shut, Zinc Plated	2
T4900824	1/2" Cold Shut, Zinc Plated	2



Part # DD0720168

**QUICK LINKS & SPRING SNAP LINKS**



CAT NO.	DESCRIPTION	QTY
	Tryon Hooks	12
	Backer Board	1
T7645156V	1/2" Quick Link	2
T7645146V	3/8" Quick Link	2
T7645136V	5/16" Quick Link	2
T7645126V	1/4" Quick Link	2
T7645116V	3/16" Quick Link	2
T7645106V	1/8" Quick Link	2
T7645006V	1/4" Spring Snap Link	2
T7645016V	5/16" Spring Snap Link	2
T7645026V	3/8" Spring Snap Link	2
T7645036V	7/16" Spring Snap Link	2
T7645046V	1/2" Spring Snap Link	2
T7645066V	5/8" Spring Snap Link	2



Part # DD0720169

**QUICK LINKS & SPRING SNAP LINKS, STAINLESS STEEL**



CAT NO.	DESCRIPTION	QTY
	Tryon Hooks	10
	Backer Board	1
T7630506	Quick Link, 1/8" Ss, 316L	2
T7630526	Quick Link, 3/16" Ss, 316L	2
T7630536	Quick Link, 1/4" Ss, 316L	2
T7630546	Quick Link, 5/16" Ss, 316L	2
T7630556	Quick Link, 3/8" Ss, 316L	2
T7630406	Spring Snap Link, 1/4" Ss, 316L	2
T7630416	Spring Snap Link, 5/16" Ss, 316L	2
T7630426	Spring Snap Link, 3/8" Ss, 316L	2
T7630436	Spring Snap Link, 7/16" Ss, 316L	2
T7630446	Spring Snap Link, 1/2" Ss, 316L	2



Part # DD0720170

DIE CAST ZINC SNAPS



CAT NO.	DESCRIPTION	QTY
	Tryon Hooks	22
	Backer Board	1
T7610102	Snap, Bolt, Strp, Swl, #017,1"	2
T7615102	Snap, 1" Bolt Strp Rgd Nickel 25Z	2
T7615202	Snap, Bolt, Rd Rgd, Ni, #125Z, 5/8"	2
T7615302	Snap, Bolt, Dbl End, Ni, #162Z,4"	2
T7615312	Snap,4-5/8", Bolt, Dblend, Ni, 163Z	2
T7615012	Snap, Bolt, Rd Swl, Ni, 225Z, 1/2"	2
T7615402	Snap, Bolt, Rd Swl, Ni, 225Z, 5/8"	2
T7615412	Snap, Bolt, Rd Swl,Ni, 225Z,3/4"	2
T7615422	Snap, Bolt, Rd Swivel, 1"	2
T7615502	Snap, 5/8" Cck, Rd Swl, Ni, 251Z	2
T7610832	Snap, Cck, Rd Swl,Ni, 251Z, 1"	2
T7615602	Snap, Spr, Rd Swl, Ni, 334Z,1/4"	2
T7615802	Snap, Spr, Swl,Strap, 5/8"	2
T7615902	Snap, Spr,Rd Swl,Ni, 437Z, 3/8"	2
T7616302	Snap, Anml Tie,Rd Swl, 3142Z	2
T7616402	Snap, Trig, Rd Swl, Ni, 5013Z, 3/8"	2
T7616412	Snap, Trig,Rd Swl, Ni, 5013Z,1/2"	2
T7616602	Snap, 3/4" Trig Rd Swl Nckl 5015Z	2
T7616702	Snap, Bolt, Rd Swl, Ni, 5025Z,3/8"	2
T7640302	Swivel, Rd Dbl, Ni, 2225Z,5/8"	2
T7616202	Swivel, 3/4" Rd Dbl	2
T7640322	Swivel, Rd Dble, Ni, 2225Z,1"	2

Part # DD0720171

MALLEABLE SNAPS



CAT NO.	DESCRIPTION	QTY
	Tryon Hooks	22
	Backer Board	1
T7600311	Snap, Bolt, Rd Rgd, #125, 5/8"	2
T7605501	Snap, Bolt, Dbl End, #161	2
T7605511	Snap, Bolt, Dblend, Cd, #162	2
T7605521	Snap, Bolt, Dblend, Cd, #163	2
T7600531	Snap, Spr, Strp Rgd, #200, 1"	2
T7601201	Snap, Bolt, Rd Swl, #225, 1/2"	2
T7605801	Snap, Bolt, 5/8, Rd Swl, 225	2
T7605811	Snap, Bolt, Rd Swl, Cd, 225, 3/4"	2
T7605821	Snap, Bolt, Rd Swl, Cd, #225, 1"	2
T7606011	Snap, Bolt, Open Rgd, C, 231, 3/8	2
T7606021	Snap, 1/2 Bolt, Open Rgd, C, 232	2
T7601912	Snap, Spr, Rd Swl, Ni, #334, 3/8"	2
T7602301	Snap, Spr, Rd Rgd, #341, 3/8"	2
T7606301	Snap, Spr, Rd Swl, #407, 3/4"	2
T7602611	Snap, Breeching, #424, 2-1/2"	2
T7606502	Snap, Spr, Rd Swl, Ni, 437, 3/8"	2
T7603441	Snap, Cap, Rd Swl, #830, 1"	2
T7606801	Snap, Cap, Rd Swl, #830, 3/4"	2
T7607301	Snap, Spr, Open Swl, #1407	2
T7607401	Snap, Anml Tie,Rd Swl, 3142, 7/8	2
T7607602	Snap, Bolt, Rd Swl, Ni, 5025, 3/8"	2
T7607702	Snap, Spr, Open Swl, Ni, #5037, 3/8"	2



Part # DD0720172

STAINLESS STEEL SNAPS



CAT NO.	DESCRIPTION	QTY
	Tryon Hooks	11
	Backer Board	1
T7631204	Snap, Bolt, Dbl End, Ss, 162S	2
T7631304	Snap, Bolt, Rd Swl, 225S, 1/2"	2
T7631324	Snap, Bolt, Rd Swl, Ss, 225S, 3/4"	2
T7631404	Snap, Qck, Rd Rgd, Ss, #249S, 3/8"	2
T7631414	Snap, Qck, Rd Rgd, Ss, 249S-1, 5/8"	2
T7631434	Snap, Qck, Rd Rgd, Ss, 249S-3, 3/4"	2
T7631534	Snap, Qck, Rd Swl, Ss, 251S-3, 3/4"	2
T7631604	Snap, Hook, Ss, 2311S, 3/4"	2
T7631614	Snap, Hook, Ss, 2311S, 1-1/8"	2
T7631704	Snap, Trig, Rd Swl, Ss, 5013S, 1/2"	2
T7631524	Snap, Qck, Rd Swl, Ss, 251S-2, 11/16"	2



Part # DD0720173

BRONZE SNAPS



CAT NO.	DESCRIPTION	QTY
	Tryon Hooks	12
	Backer Board	1
T7625004	Snap, Bolt, Dbl End, 161B	2
T7625014	Snap, Bolt, Dbl End, 163B 4 C351/2	2
T7625124	Snap, 1", Bolt, Rd Swl, 225B	2
T7625114	Snap, Bolt, Rd Swl, 225B, 3/4"	2
T7625104	Snap, 5/8", Bolt, Rd Swl, 225B	2
T7625604	Snap, 3/8", Bolt, Rd Swl, 5025B	2
T7625404	Snap, Qck, Rd Swl, 251B-1, 5/8"	2
T7620614	Snap, Qck, Rd Swl, 251B-2, 11/16"	2
T7625314	Snap, Qck, Rd Rgd, 249B-1, 5/8"	2
T7625304	Snap, Qck, Rd Rgd, 249B-0, 3/8"	2
T7625204	Snap, Bolt, Open Rgd, 231B, 3/8"	2
T7625504	Snap, 1/2", Trig, Rd Swl, 5013B	2







Part # **DD0720174**  
**WELDING RINGS**



CAT NO.	DESCRIPTION	QTY
	Tryon Hooks	10
	Backer Board	1
T7665001	Ring, Welded, #2, 2"	2
T7661152	Ring, Welded, Ni, #3, 2"	2
T7665042	Ring, Welded, #3, 1-1/2"	2
T7665032	Ring, Welded, #7, 1-1/4"	2
T7665012	Ring, Welded, #7, 1"	2
T7661361	Ring, Welded, #2, 2-1/2"	2
T7660841	Ring, Welded, #4, 1-1/4"	2
T7663550	2" Hitch Ring W/3-1/2" Screw Eye	2
T7662114	Ring, Bronze, Solid, #7B #7B, 1-1/8"	2
T7662154	Ring, Bronze, Solid, #7B, 2"	2
T7631524	Snap, Qck, Rd Swl, Ss, 251S-2, 11/16"	2



Part # **DD0720175**  
**DIE CAST ZINC PULLEYS**



CAT NO.	DESCRIPTION	QTY
	Tryon Hooks	13
	Backer Board	1
T7655052	Pulley, Sgl, Swl, Ni, 0173, 1/2	2
T7655002	Pulley, Sgl, S Wl, Ni, 0173, 3/4	2
T7655012	Pulley, Sgl, Swl, Ni, 0173, 1"	2
T7655032	Pulley, 0173-1 1/2, Tagged	2
T7655042	Pulley, Sgl, Swl, Ni, 0173, 2"	2
T7655062	Pulley, Sgl, Rgd, Ni, 0174, 1/2	2
T7655100	Pulley, Sgl, Rgd, Ni, 0174, 3/4	2
T7655112	Pulley, Sgl, Rgd, Ni, 0174, 1"	2
T7655120	Pulley, Gl, Rgd, Ni, 0174, 1-1/4"	2
T7655212	Pulley, Dbl, Rgd, Ni, 0176, 1"	2
T7655402	Cleat, 2-1/2", Rope, Ni, 4015,	2
T7655412	Cleat, 4-1/2", Rope, Ni, 4 015,	2
T7655404	Cleat, 2-1/2", Rope, Brass, 4 0	2

Part # **DD0720176**

**HEAVY DUTY STEEL PULLEYS**



CAT NO.	DESCRIPTION	QTY
	Tryon Hooks	7
	Backer Board	1
T7550301	Pulley, Hd, Sgl, Swl Eye, 1-1/2"	2
T7550302	Pulley, Hd, Sgl, Swl Eye, 2"	2
T7550401	Pulley, Hd, Sgl, Rgd Eye, 1-1/2"	2
T7550402	Pulley, Hd, Sgl, Rgd Eye, 2"	2
T7550421	Pulley, Hd, Dbl, Rgd Eye, 1-1/2"	2
T7550501	Pulley, Hd, Wall/Ceiling Mount, Sgl, 1-1/2"	2
T7550502	Pulley, Hd, Wall/Ceiling Mount, Sgl, 2"	2



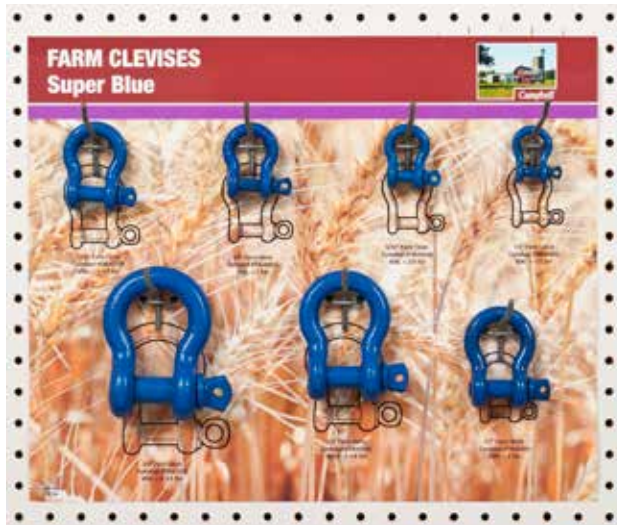
Part # **DD0720177**

**HEAVY DUTY STEEL PULLEYS**



CAT NO.	DESCRIPTION	QTY
	Tryon Hooks	10
	Backer Board	1
T7550403	Pulley, Hd, Sgl, Rgd Eye, 2-1/2"	2
T7550404	Pulley, Hd, Sgl, Rgd Eye, 3"	2
T7550303	Pulley, Hd, Sgl, Swl Eye, 2-1/2"	2
T7550304	Pulley, Hd, Sgl, Swl Eye, 3"	2
T7551522	Pulley, Hd, Single Sheave, Joist Mount, 2"	1
T7655422	Cleat, 6", Rope, Ni, 4015, Tagg	2





Part # **DD0720180**

**FARM CLEVIS DISPLAY**



CAT NO.	DESCRIPTION	QTY
	Backer Board	1
T9640405	1/4"	2
T9640505	5/16"	2
T9640605	3/8"	2
T9640705	7/16"	2
T9640805	1/2"	2
T9641005	5/8"	1
T9641205	3/4"	1



Part # **DD0720182**

**HITCH PIN DISPLAY**



CAT NO.	DESCRIPTION	QTY
	Backer Board	1
T3899733	3/8"	2
T3899724	1/2"	2
T3899720	5/8"	2
T3899752	5/8"	2
T3899728	3/4"	2
T3899736	7/8"	2
T9641205	3/4"	1

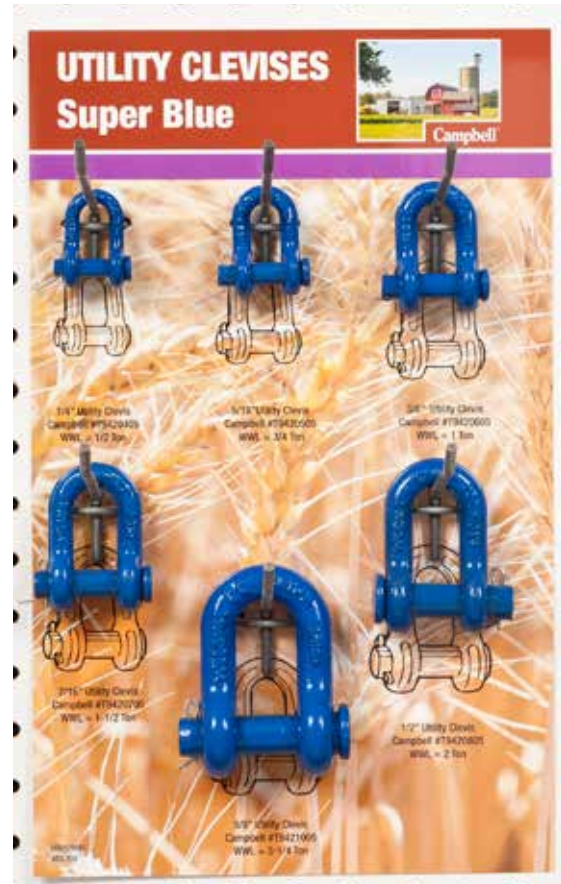


Part # DD0720181

UTILITY CLEVIS DISPLAY



CAT NO.	DESCRIPTION	QTY
	Backer Board	1
T9640405	1/4"	2
T9640505	5/16"	2
T9640605	3/8"	2
T9640705	7/16"	2
T9640805	1/2"	2
T9641005	5/8"	2
T9641205	3/4"	1



Introducing Crescent® Mechanics Hand Tools.

# Quality and Value, from a name your customers trust.



With its recognized name, legendary quality, and competitive pricing, Crescent is ready to help independent retailers enhance their mechanic hand tool program. Now you have another way to offer your customers outstanding value.



- 300+ new skus including multi-piece sets and open stock
- Chrome vanadium steel for maximum strength
- Strong 72-tooth, 5-degree swing-arc ratchets
- Chrome plating for excellent rust resistance
- Full polish finish for professional appearance
- Performance exceeds ASME specifications
- Durable easy-read socket markings
- Guaranteed forever



[www.apexhandtools.com](http://www.apexhandtools.com)

*Crescent mechanics hand tools are in stock and available now. Contact your Apex rep today to find out more.*