

1805 Epoxy-Coated Drawer Slide

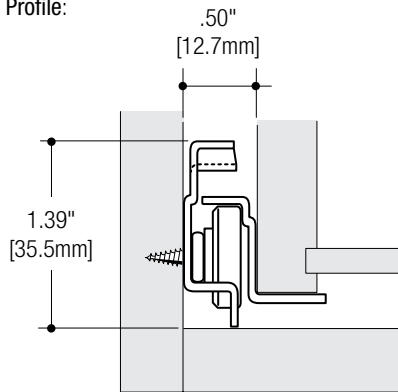


Features

- 32mm mounting hole pattern
- Lift out disconnect
- Self-close design
- Recommended maximum drawer width 18"

Mounting: Side
 Action: Rollers
 Load Rating: 75 lb. class
 Height: 1.39" [35.5mm]
 Clearance: .50" + .03" - 0" on each side
 Finish: Almond (ALM), Cream White (CW), White (WH)

Profile:



Configurations

Hefty (H)	1 pair per bag with screws; 20 pairs per carton
Quantity (Q)	100 pairs per carton without screws; multiple cartons
Taped Pair (T)	1 pair taped together without screws; 20 pairs per carton

1805 Almond (ALM) Finish

Size	Hefty (H)	Quantity (Q)	Taped Pair (T)
300mm	–	1805Q ALM 300	1805T ALM 300
350mm	–	1805Q ALM 350	1805T ALM 350
400mm	–	1805Q ALM 400	1805T ALM 400
450mm	–	1805Q ALM 450	1805T ALM 450
500mm	–	1805Q ALM 500	1805T ALM 500
550mm	–	1805Q ALM 550	1805T ALM 550
600mm	–	1805Q ALM 600	1805T ALM 600

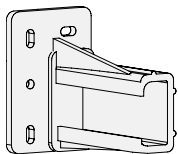
1805 Cream White (CW) Finish

300mm	1805H CW 300	–	–
350mm	1805H CW 350	–	–
400mm	1805H CW 400	–	–
450mm	1805H CW 450	–	–
500mm	1805H CW 500	–	–
550mm	1805H CW 550	–	–
600mm	1805H CW 600	–	–

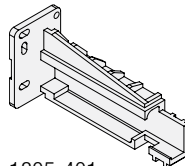
1805 White (WH) Finish

300mm	1805H WH 300	1805Q WH 300	1805T WH 300
350mm	1805H WH 350	1805Q WH 350	1805T WH 350
400mm	1805H WH 400	1805Q WH 400	1805T WH 400
450mm	1805H WH 450	1805Q WH 450	1805T WH 450
500mm	1805H WH 500	1805Q WH 500	1805T WH 500
550mm	1805H WH 550	1805Q WH 550	1805T WH 550
600mm	1805H WH 600	1805Q WH 600	1805T WH 600

Mounting Brackets




1805-101
 Left and right
 handed sockets
 (2-3/8" socket)



1805-401
 Left and right
 handed sockets
 (4" socket)

Product	Pack	Handed
1805-101L BP	50 per carton	Left
1805-101R BP	50 per carton	Right
1805-401L BP	50 per carton	Left
1805-401R BP	50 per carton	Right

Recommended Fasteners	KV Part	Finish	Qty
 #6 x 7/16" Phillips Flathead	1284-80	Zinc (ZC)	1000