



About Us ↘

Welcome to our new 2013 Qualcraft Catalog. You have opened up to a new chapter in the world of Qualcraft. On behalf of those that work for Qualcraft I want to thank you years of support and for taking your time to review our newest catalog. Allow me to give you a brief history and tell you about Qualcraft Industries. International Construction Products Company Qualcraft Industries has been in business since 1951. Based outside of Boston, Massachusetts Qualcraft Industries has been serving the professional contractor with their high quality products for over 60 years. Qualcraft's pump jack scaffolding, guardrail systems, roofing & siding products, ladder accessories, safety products and other constructed related equipment have been used to construct and remodel residential & commercial structures around the world.

In 2008 Guardian Fall Protection acquired Qualcraft Industries. Since 2008 Guardian Fall Protection and Qualcraft Industries have together been driving innovation, expanding product lines, services and capabilities to better provide safe, cost effective and elite product solutions for the professional end-user. In June 2012 Guardian and Qualcraft acquired the rights to Trojan Manufacturing. The additions of the Trojan Saw Horses, Work stations, Miter Saw Stands, Pipe Stands along with their other products have been a great addition to our product line.

Innovation Focus ↘

Qualcraft designs, engineers and manufactures a broad range of professional-quality equipment. Qualcraft's ongoing focus on innovative designs and product quality results in steady development of new equipment that helps contractors increase jobsite efficiency, productivity and safety. The company holds numerous US product patents for many of our Flagship products. What you see today is only the beginning. Our product road for the future will be full of new innovations and we will continue bringing more elite products for the professional to the marketplace.

Are You an Inventor? ↘

Do you have an idea? Do you have a product that you would like to see sold in the marketplace? Qualcraft has a proven track record of working with professional tradesman and or inventors that have great ideas and or new products. We specialize in developing licensing agreements so that we can bring ideas and products to the construction industry. Our strengths in manufacturing, operations, sales, marketing and relationships in the industry allow us to become a strong partner to deliver solid results and much success in commercializing your product in the marketplace. Call us today if you would like present your idea.

Andrew Michelson
 Vice President Sales & Marketing
 E-mail: amichelson@qualcraft.com

New Products ↘

- Ladder Rung Step Anti-Fatigue Ladder Rung Extender
- Trojan Sawhorse Strongest, toughest and most rugged sawhorses on the market
- Lock-N-Climb Adds strength, stability and safety to your extension ladder
- Construction Tarps The all purpose blue poly tarp is strong, lightweight and cost friendly
- The Shingle Hog® Pneumatic Roofing Shovel increases efficiency and profits
- Dolly Cartin™ Moves sheet goods, doors and windows with ease
- Flexastep Multi-Purpose Slide Guards and Roll-Up Ladders
- Gutterbrush™ Keeps your gutters clear of debris and flowing
- Quick Support System Dust Protection System and tools that provide extra support when working alone
- EZ Shear Siding Cutter No Dust. No Noise. 15,000 cuts on one blade
- Basemate Non-Penetrating Ladder Leveling System
- Safety Glasses Protect your eyes in style and comfort
- 30" Magnetic Sweeper Ideal jobsite and workshop companion
- Alligator Parapet Roof System Versatile Rooftop Guardrail Protection System
- Tool Hooks Keep your hands free and tools close by with the Qualcraft Tool Hooks
- Knives & Blades Built to perform on the jobsite and your roof
- Velocity Economy Harness Higher quality economy harness for an incredible value
- Cyclone Harness Series Harnesses with added features, comfort and versatility at a competitive price

Qualcraft® Industries – a division of Guardian Fall Protection – is a U.S. owned business. We employ over 100 U.S. citizens as well as provide employment for hundreds of additional U.S. citizens through our made in the U.S.A. suppliers. Qualcraft is proud to be a small business and strongly believes in supporting small businesses here in the U.S.

Look for These Symbols ↘

RENTAL

Qualcraft® Industries, on behalf of Guardian Fall Protection, now offers flexibility with the largest rental fleet offered by any manufacturer. The products in our rental fleet are located throughout our network of regional warehouses.

Please call **(800) 231.5647** or go online www.qualcraft.com for rental rates. Rental rates do not include freight to and from warehouses.



This symbol identifies products that **DO NOT QUALIFY** for prepaid freight on any orders. Customers are responsible for 100% of the freight on products with the freight symbol. Please contact Qualcraft® for estimated shipping charges and weights.



This symbol identifies a new product now available at Qualcraft® Industries.



Green product

These symbols help to quickly identify the intended use for each Occupational Protective Equipment (OPE) item and its function:



Fall Arrest



Work Positioning



Suspension



Retrieval



Ladder Climbing

| | |
|--------------------------------|-----|
| scaffolding systems | 06 |
| guardrail systems | 22 |
| ladder safety products | 30 |
| jobsite construction equipment | 36 |
| roofing tools | 52 |
| safety kits | 66 |
| full body harnesses | 70 |
| lanyards | 76 |
| self-retracting lifelines | 78 |
| anchor points | 84 |
| engineered lifeline systems | 93 |
| netting systems | 96 |
| accessories | 100 |
| training | 111 |
| index | 112 |

RENTAL 

[1] Angel Anchor System 

The Qualcraft® Industries Angel Anchor System, will provide an ideal solution when you need a versatile tie-off point on a roof top where penetrating the roof structure is not an option. The stem is made up of three sections and the weights are individually placed on the spine. The weights have handles for easier transport and there is also an available pick point for use with a crane.



[3] Ladder Assist 

A simple hand support device to aid the worker when transitioning from a ladder to the rooftop.



[2] Skylight Screens 

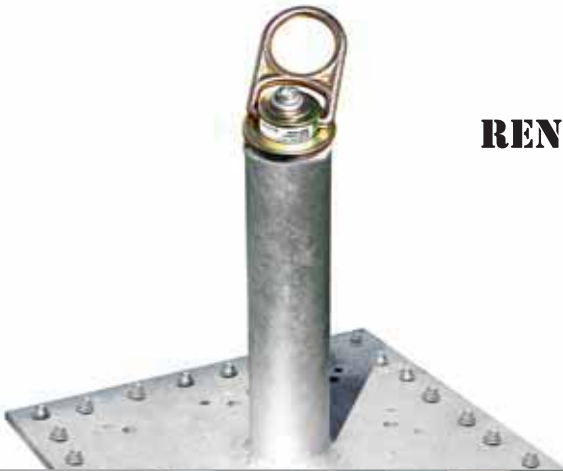
Our skylight screens have a non-penetrating compression installation that eliminates the use of fasteners and tapes to hold it in place on most installations.



RENTAL 

[4] Permanent HLL Systems 

Qualcraft® engineers a number of permanent horizontal lifeline systems that can be easily installed by trained personnel. These systems range in variety greatly. Please log on to our new engineering website to learn more at www.guardianesg.com.



[5] Goose Warning Line System 

Designed to be used as a fall protection system to protect workers from leading edge work, unprotected side hazards, holes and any other applicable fall hazard.

[6] Guardrail System 

The ultimate free standing portable fall prevention system that requires no rooftop surface attachment. The Guardrail System provides fall protection in the form of a guardrail for use in lieu of, or in conjunction with, safety netting and/or personal fall arrest systems.





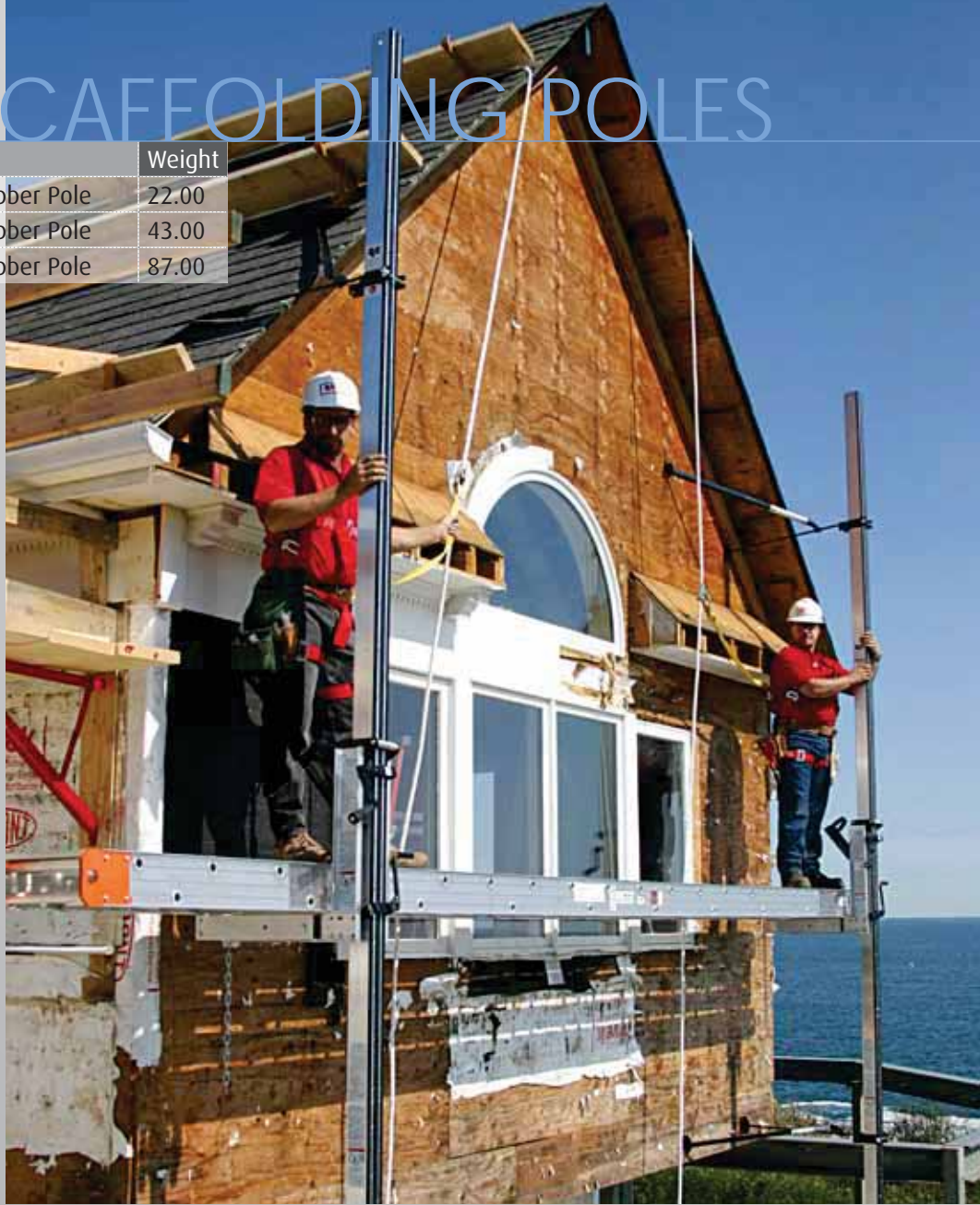
scaffolding systems

ALUMINUM SCAFFOLDING POLES

| Part# | Length | Description | Weight |
|-------|--------|------------------------------------|--------|
| 2006 | 6' | ULTRA-Jack® Aluminum & Rubber Pole | 22.00 |
| 2012 | 12' | ULTRA-Jack® Aluminum & Rubber Pole | 43.00 |
| 2024 | 24' | ULTRA-Jack® Aluminum & Rubber Pole | 87.00 |



Patent No. 5833029



Aluminum Scaffolding Poles ↘

Qual-Craft is the only company to offer 2 innovative designs that provide the contractor with a choice, and the retailers with the opportunity to differentiate their product mix from that of their competitors. Unique in design, safer, stronger and more durable, both the industry compatible ALL PRO aluminum pole and our classic Ultra-Jack® aluminum pole can be customized to create a scaffold system up to 48' in height.

So, when considering scaffolding systems, think Qual-Craft ALL PRO and Ultra-Jack® poles for durability, portability, compatibility, safety and easy set up and tear down.

Ultra-Jack® Aluminum & Rubber Poles ↘

- 0.140" thick structural grade aluminum walls with rib reinforcement
- Continuous metal reinforced rubber surface eliminates distortion
- Field replaceable solid EPDM extruded rubber facing with screw attachment
- Available in 6', 12' & 24' joinable sections
- Use in conjunction with ULTRA-Jack® components
- Spring-loaded stainless steel pins combine with pole connector to add height up to 48'
- Customize your own system by using variable height poles & joinable walk planks



ALUMINUM SCAFFOLDING POLES



1 Compatible

Compatible with other leading systems. Sections easily insert into each other.



2 10% thicker

Thickest wall in the industry with internal rib reinforcing. More stability with less sway!



3 Strong

The only 3-ply belted rubber grip facing with 6" on-center screw attachment.

| Part# | Length | Description | Weight |
|-------|--------|--------------------------------|--------|
| 3006 | 6' | ALL PRO Aluminum & Rubber Pole | 22.00 |
| 3012 | 12' | ALL PRO Aluminum & Rubber Pole | 43.00 |
| 3018 | 18' | ALL PRO Aluminum & Rubber Pole | 66.00 |
| 3024 | 24' | ALL PRO Aluminum & Rubber Pole | 87.00 |

ALL PRO Aluminum & Rubber Poles ↘

- Compatible with all other leading systems & Ultra-Jack accessories (except Ultra-Jack®)
- 0.140" thick structural grade aluminum walls with rib reinforcement
- Available in 6', 12', 18' & 24' joinable sections
- Use in conjunction with Ultra-Jack components
- Spring-loaded stainless steel pins combine with Pole Connector to add height up to 48'
- The only 3-ply belted rubber grip facing with 6" on center screw attachment

WHEN USED IN ACCORDANCE WITH INSTRUCTIONS THIS PRODUCT MEETS OR EXCEEDS ANSI RECOMMENDATIONS AND GOVERNMENT INDUSTRY STANDARDS



ALUMINUM PUMP JACK SCAFFOLDING



From pump jacks to poles, workbench systems to anchors and braces, our award winning functionality and design provides professionals with easy to operate, easy to transport, durable, safe and reliable aluminum scaffolding. Our ULTRA-Jack® components are compatible with other brands.

ALL PRO Net System (3000) ↘

- Designed to keep tools & debris from falling to the ground
- Easily attaches to the top & bottom of the scaffolding system
- HDPE High Density Polyethylene
- 285 lb. tensile strength
- 380 lb. PSI burst
- 21' 10" wide by 4' tall
- 22 straps/buckles
- Will fit most manufacturers' aluminum scaffolding planks

ACCESSORIES

| Part# | Description | Weight |
|-------|-----------------------------------|--------|
| 2000 | ULTRA-Jack® | 32.00 |
| 2002 | ULTRA Brace | 9.00 |
| 2004 | ULTRA Work Bench | 15.00 |
| 2008 | ULTRA Pole Anchor | 6.00 |
| 2009 | ULTRA Pole Base | 1.00 |
| 2013 | ULTRA / ALL PRO 6' Pole Connector | 16.00 |
| 3000 | ALL PRO Net | 10.00 |



[1] ULTRA-Jack® (2000) ↘

- Walk plank fastening system provided
- Adjustable platform 14" to 24"
- Highest climbing rate per stroke
- Patented spring-loaded cam lock for smooth operation & durability – no clutch to wear out or lock to manually engage
- Toe straps accommodate large work boots
- Padded hand crank & brake lever for added comfort

[2] ULTRA Work Bench (2004) ↘

- Used to transport tools & supplies up the scaffold
- Adjustable from 14" to 24"
- Raises and lowers with the jack
- Versatile, can be installed as needed at any time

[3] ULTRA Pole Anchor (2008) ↘

- A mud sill in loose soil conditions (grass, dirt, clay & sand)
- Easily attaches to the bottom of ULTRA & ALL PRO Poles
- Uses stainless steel pins for connections
- Spiked anchor offers security on soft & uneven surfaces

[4] ULTRA Pole Base (2009) ↘

- Easily attaches to ULTRA & ALL PRO Poles
- Non-skid base works well for flat & hard surfaces
- Included with 24' ULTRA & ALL PRO Poles

[5] ULTRA/All Pro 6' Pole Connector (2013) ↘

- Can join any two pole lengths together, ULTRA or ALL PRO
- Allows 3' overlap in each section of the adjoining poles
- Spring-loaded stainless steel connector pins

[6] ULTRA Brace (2002) ↘

- Used to secure aluminum poles to the work wall
- Full swivel head & nailing clips to cover all possible roof pitches
- Provides rigid, triangular bracing as required by OSHA

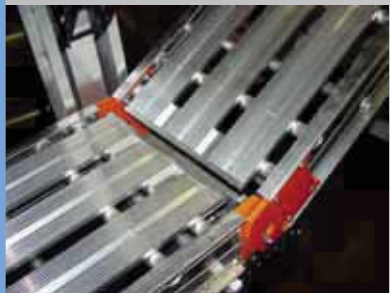


ALUMINUM STAGING PLANKS



1 Complete Staging System

When using joinable stages, the ULTRA-Jack® can be configured with two stages joined together and secured directly over a mid-pole and ULTRA-Jack®, providing a continuous hazard free work-surface.



2 New Joinable Ends

Ends butt together to create a smooth, continuous walkway.



3 OSHA Compliant

A full guardrail package is available. Conforms to ANSI & OSHA requirements when installed in accordance with instructions.



| Part# | Description | Width | Length | Depth | Weight |
|-------|------------------------|-------|--------|-------|--------|
| 2034 | Aluminum Staging Plank | 14" | 16' | 5" | 51.00 |
| 2035 | Aluminum Staging Plank | 14" | 20' | 6" | 69.00 |
| 2036 | Aluminum Staging Plank | 14" | 24' | 6" | 83.00 |
| 2044 | Aluminum Staging Plank | 20" | 16' | 5" | 60.00 |
| 2045 | Aluminum Staging Plank | 20" | 20' | 6" | 80.00 |
| 2046 | Aluminum Staging Plank | 20" | 24' | 6" | 96.00 |

* When ordering joinable ends, add "J" to part number.

** For additional Staging Plank sizes please call (800) 231.5647.

Aluminum Staging Planks ↘

Designed to meet the needs of even the most demanding worksite requirements, the Qualcraft Aluminum Staging Planks are available with industry recognized V-style grip handles or with our unique joinable end configuration.

- Easy grip hand-style end caps
- Heavy duty rung system for added strength
- Stages with depth of 6' features V-style grip handles
- Also available with joinable ends
- 2-Man – 500 lbs. rating
- Available widths 14", 20" & 24"
- Available lengths in 2' increments from 12' up to 36'

DRYWALL CARTS & UTILITY CASTERS

"The Warrior" Drywall Cart ↘

- Powder coated finish
- Casters sold separately

"The Hercules" Drywall Cart ↘

- Powder coated finish
- Removable/Collapsible poles
- Easy to maneuver
- Casters sold separately

Casters ↘

- Contain sealed bearings for smooth rolling
- Come standard with brakes
- Available individually as extras or replacements



"The Warrior" (61192) with "BlueMaxx" Casters (61225)



"The Hercules" (61191) with "BlueMaxx" Casters (61225)

61002 Caster Capacity: 600 lb.
Cart Capacity: 2,500 lb.

61225 Caster Capacity: 1,150 lb.
Cart Capacity: 3,000 lb.

61312 Caster Capacity: 600 lb.
Cart Capacity: 2,500 lb.



Black Rubber Swivel Caster (61002)



"BlueMaxx" Swivel Caster (61225)



Grey Non-Marring Caster (61312)

| Part# | Description | Length | Width | Height | Weight |
|---------|--|--------|-------|--------|--------|
| 61191 | "The Hercules" "1" style Drywall Cart | 49" | 27" | 45" | 44.00 |
| 61192 | "The Warrior" "PD3" style Drywall Cart | 48" | 22" | 48" | 56.00 |
| 61225 | "BlueMaxx" Non-Marring Swivel Caster w/ brake | 8" | 2" | 10" | 11.00 |
| 61312 | Grey Non-Marring Caster w/ brake | 8" | 2" | 10" | 7.00 |
| 61002 | Black Rubber Swivel Caster w/ brake | 8" | 2" | 10" | 10.00 |
| 61219 | "The Hercules" (61191) w/ "BlueMaxx" Casters (61225) | 49" | 27" | 45" | 88.00 |
| 61308 | "The Hercules" (61191) w/ Grey Casters - 2 Swivel (61223) & 2 Non-Swivel (61312) | 49" | 27" | 45" | 72.00 |
| 61308-S | "The Hercules" (61191) w/ Grey Casters - 4 Swivel (61223) | 49" | 27" | 45" | 72.00 |
| 61220 | "The Warrior" (61192) w/ "BlueMaxx" Casters (61225) | 48" | 22" | 48" | 100.00 |

STAGING & STEEL PUMP JACK SYSTEMS

1 Pump Jack (2200)

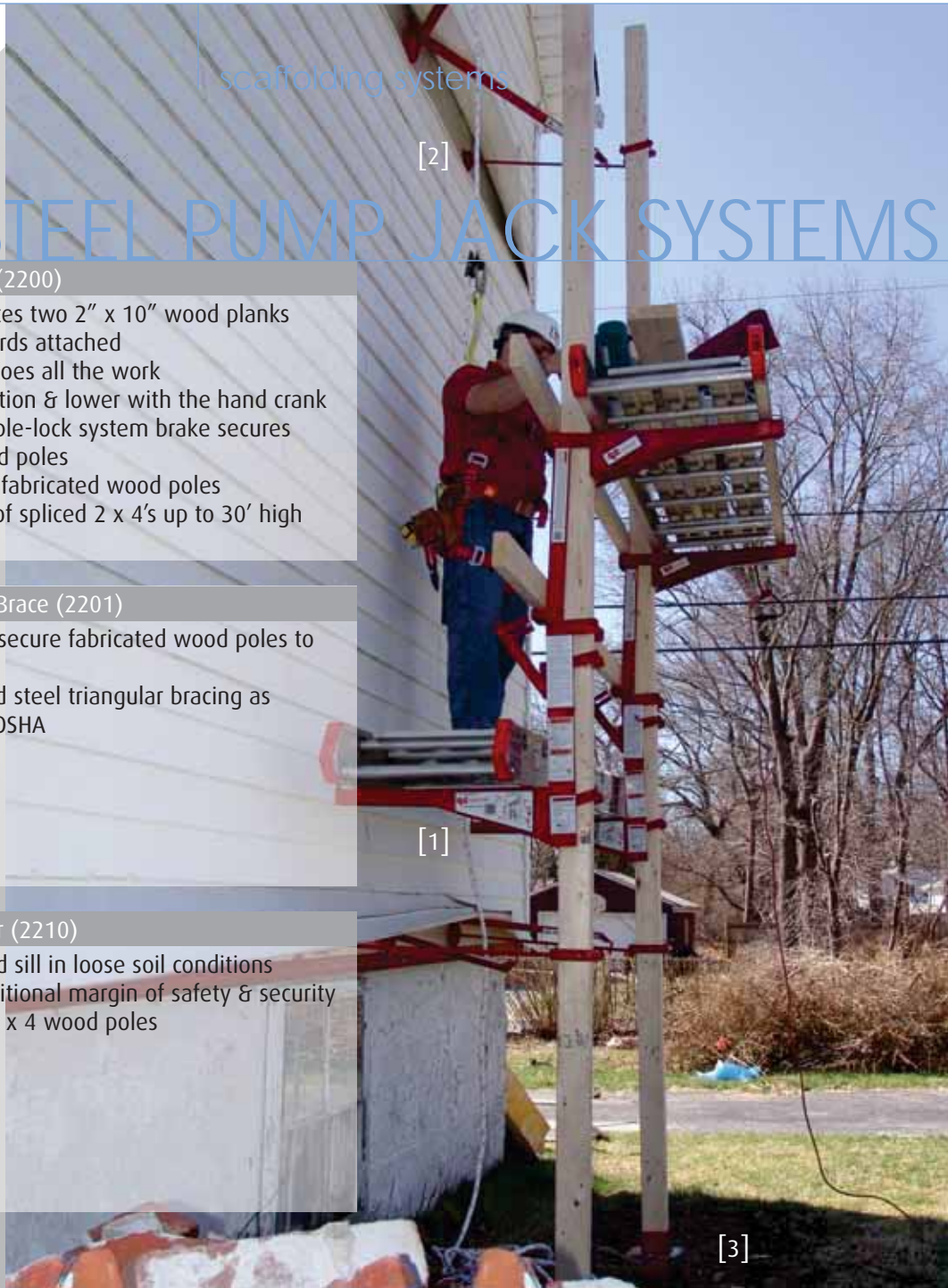
- Accommodates two 2" x 10" wood planks with toe boards attached
- Foot action does all the work
- Raise to position & lower with the hand crank
- Positive double-lock system brake secures itself to wood poles
- For use with fabricated wood poles constructed of spliced 2 x 4's up to 30' high

2 Pump Jack Brace (2201)

- Designed to secure fabricated wood poles to building
- Provides rigid steel triangular bracing as required by OSHA

3 Pole Anchor (2210)

- Provides mud sill in loose soil conditions
- Provides additional margin of safety & security
- Fits double 2 x 4 wood poles



| Part# | Description | Weight |
|-------|-----------------------|--------|
| 2200 | Pump Jack | 20.00 |
| 2201 | Pump Jack Brace | 5.00 |
| 2210 | Pump Jack Pole Anchor | 5.00 |

Qualcraft® – committed to being a complete source for scaffolding and staging – continues to offer traditional steel Pump Jacks for wood staging as well as the folding Side Wall Staging Bracket and Guardrail for platform safety and convenience.

PUMP JACK SYSTEMS



[1] Side Wall Staging Bracket Guardrail (2301) ↘

- Steel construction
- Required when bracket is installed above 6' off the ground
- Provides installation of guardrail, mid rail & toe board

[2] Side Wall Staging Bracket (2300) ↘

- Rated for 2 workers per 8' section plus 75 lb.
- Folds for compact storage and transportation

[3] Indoor Hanger Bracket (61038) ↘

- Use for rolling floor or roof trusses
- Provides working platform from interior
- Easy tool-free setup
- Adjusts for 2 x 4 or 2 x 6 walls
- Secures to top plate
- Easy attachment for toe boards & optional guardrail posts

[4] Workbench & Guardrail Holder Combo (2204) ↘

- For wood staging
- Works with Pump Jack System
- Allows tools and materials to travel with the work platform

| Part# | Description | Length | Width | Weight |
|-------|--|--------|-------|--------|
| 2204 | Workbench / Guardrail Holder Combo | | | 10.00 |
| 2300 | Side Wall Staging Bracket | | | 11.00 |
| 2301 | Side Wall Staging Bracket Guardrail | | | 7.00 |
| 61038 | IHB - Adjustable Height Hanger Bracket | 95¼" | 26" | 40.00 |
| 61228 | IHBCB - Cross Brace | 35¼" | 1¼" | 7.00 |
| 61229 | IHBHT - Adjusting Hanger Tube | 10" | 1¼" | 2.00 |
| 61230 | IHBP - Interior Platform Bracket | 26" | 23½" | 12.00 |
| 61231 | IHBV - Vertical Upright Support | 94" | 1¼" | 17.00 |

STACKER BRACKET SYSTEMS

1 End Rail (61128)

- 3' tall
- Lightweight welded steel
- Installs easily onto posts
- Caps off platform ends

2 Stacker Bracket Frame (61129)

- Durable welded steel
- Great for eaves up to 18"
- Platform is 17" down from top plate
- Rails are 28" out from wall
- Extended bracket frame available for up to 2' overhangs
- 32" out from wall, 23" down from top plate

3 Guardrail Posts

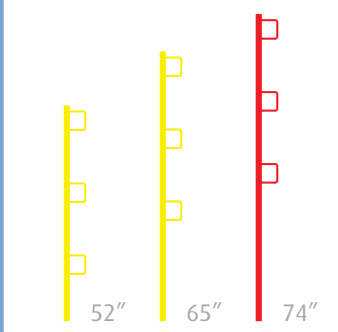
- Available in 52"/65"/74"
- Lightweight welded steel
- Installs easily into mounts
- Maximum spacing 8' apart



[1]

[3]

[2]



Stacker Bracket systems are available for rent or purchase. To set up a system is easy:

- Determine the number of linear feet you need to utilize
- There are 3 main components to a Stacker Bracket:

1. The Bracket Frame is the main support, what your planks rest on and is the working surface.
2. The main support rests on what is referred to as the Top Clamp. Since the width of the top plate to the structure can vary, you need to be sure to order the appropriate wall size unit.

3. Determine additional accessory components such as End Rails which provides end guardrail safety, Toe Board Attachments to keep tools and other material from falling on workers below, or Indoor Hanger Brackets which allow for a working platform from the interior to help in rolling floors or trusses.

To learn more about our rental program or for assistance with a layout, please call (800) 231.5647.

HANGING SCAFFOLDING SYSTEMS

Snap-On Metal Rail (61074) ↘

- Allows for quick and secure installation
- Zinc plated for weather resistance
- Reusable – eliminates waste of 2 x 4 lumber

Toe Board Attachment (61142) ↘

- Durable welded steel construction
- Powder coated safety yellow

Top Clamps (61146, 61148 & 61149) ↘

- Attaches to the Bracket Frame (61129)
- Eye bolt to bring brackets flush to outside wall
- Double safety mechanism with Grade 5 bolt & safety pin
- 4" (61146) for 2 x 4 walls, 6" (61148) for 2 x 6 walls, etc.



| Part# | Description | Height | Length | Width | Min. | Max. | Weight |
|-------|----------------------------|----------|----------------------------------|----------------------------------|------|---------------------------------|--------|
| 61074 | Snap-On Metal Rail | | | 10' | | | 11.00 |
| 61075 | Metal Adjustable Guardrail | 4' - 7' | | | | | 8.00 |
| 61076 | Metal Adjustable Guardrail | 7' - 10' | | | | | 11.00 |
| 61128 | End Rail | | 35 ³ / ₄ " | 16 ³ / ₄ " | | | 10.00 |
| 61129 | Stacker Bracket Frame | | 38 ³ / ₄ " | 2" | | | 18.20 |
| 61133 | Universal Guardrail Post | 52" | | | | | 11.00 |
| 61135 | Universal Guardrail Post | 65" | | | | | 14.00 |
| 61136 | Universal Guardrail Post | 74" | | | | | 17.00 |
| 61142 | Toe Board Attachment | | | 2" | | | 0.20 |
| 61146 | Top Clamp for 2 x 4 walls | | 4" | | 3" | 4 ¹ / ₄ " | 3.00 |
| 61148 | Top Clamp for 2 x 6 walls | | 6" | | 5" | 6 ¹ / ₄ " | 3.60 |
| 61149 | Top Clamp for 2 x 8 walls | | 8" | | 7" | 8 ¹ / ₄ " | 4.50 |

WALLWALKER™ HANGING SCAFFOLDING



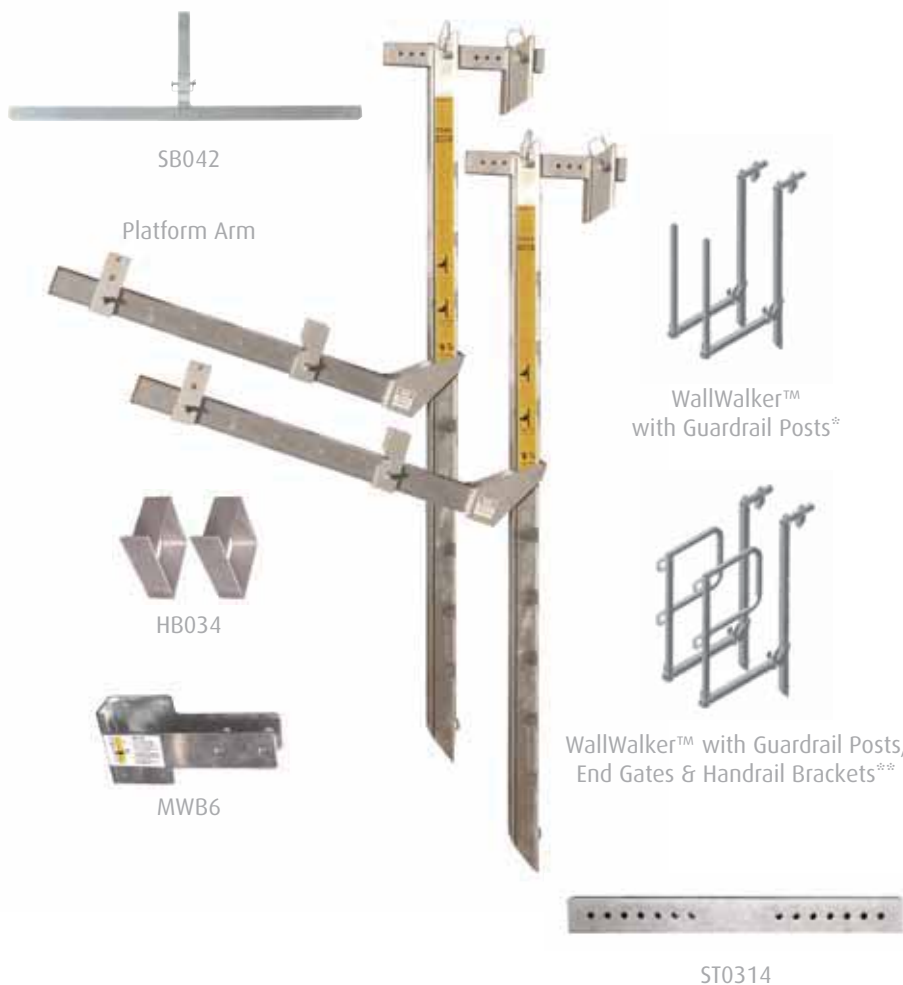
Long gone are the days of fall exposures due to walking the top-plate and trying to set up awkward scaffolding. WallWalker™ eliminates the need for makeshift scaffold and provides a quick and safe platform. Now with WallWalker's patented hanging scaffold system, you will save time and build smarter.

With quick setup and easy adjustments, you can use the WallWalker™ for cutting tails, setting trusses, installing roof sheathing and fascia board. It is also used to do work on window and hurricane shutters, concrete walls, ships, piers and bridges, etc.

With WallWalker's latest mid-wall bracket assembly you can install the WallWalker™ system below the soffit line to install soffits as well. WallWalker™ is the first hanging scaffold of its kind with lightweight aluminum construction.

| Part# | Description | Height | Width | Weight |
|---------|--|--------|-------|--------|
| WW03644 | WallWalker™ with G-Rail Posts & Handrail Brackets (1 pair) | 6' | 44" | 38.00 |
| WW03844 | WallWalker™ with G-Rail Posts & Handrail Brackets (1 pair) | 8' | 44" | 45.00 |
| MWB6 | Mid Wall Bracket (1 each) | | | 1.00 |
| ST0314 | Slider Tubes - 4" to 14" wall widths (1 pair) | | | 3.00 |
| EG03A | End Gate (1 each) | | | 5.00 |
| HB034 | Handrail Bracket (1 pair) | | | 1.00 |
| SB042 | 42" WallWalker Stabilizer Bar (1 pair) | | | 11.00 |

ING SYSTEMS & COMPONENTS



* Kit includes one pair of WallWalkers™ with Guardrail Posts & Handrail Brackets (HB034)

** Optional components not included with WallWalker™ kit & can be purchased separately:

- Handrail Brackets (HB034)
- Mid Wall Bracket (MWB6)
- 14" Slider Tube (ST0314)
- End Gate (EG03A)
- 42" Stabilizer Bar (SB042)

WallWalker™ Aluminum Scaffolding System ↘

- Lightweight structural aluminum construction
- Adjustable platform for width & height
- Folds up for easy storage & transport
- Accommodates walls up to 8" thick or 14" thick with optional 14" Slider Tube accessory

Over-The-Wall Hanging Scaffolding System ↘

Both our aluminum WallWalker™ and steel Stacker Bracket™ hanging scaffolding systems are perfect for soffit, truss, roofing and fascia installation. They conveniently hang over concrete or wood walls. Each system is rated for a capacity of 2 workers plus 75 lb. for every 8 feet. They can additionally be installed as a through-the-wall configuration and provide appropriate fall protection when used in accordance with instructions.



HUGS SYSTEM & COMPONENTS

The Department of Labor states that almost 40% of injuries from falls to a lower level result in over 31 days away from work and “Fatal falls increased by 17% to a new series high, led by increases in the number of fatal falls from ladders and from roofs.”

OSHA mandates that every employer must provide all workers with fall protection while working on a roof. At the very minimum a slide guard and safety harness or guardrail should be in place to protect the workers. The minimum slide guard is described as a 2 x 4 nominal dimension member secured on edge to the roof below the workers, to prevent their possible slide.

Many trades work or stand on sloped roofs such as framers, roofers and plumbers. Working on roofs with multiple levels such as house wrappers, window, siding & soffit installers, lath, stucco, painting and cleaning crews.



[1] & [2] HUGS Quick Brackets* (15007 & 15008) ▾

- Nail-on component
- Galvanized steel construction
- For use with HUGS Bracket

[3] & [4] HUGS Hawaii Brackets* (15009 & 15010) ▾

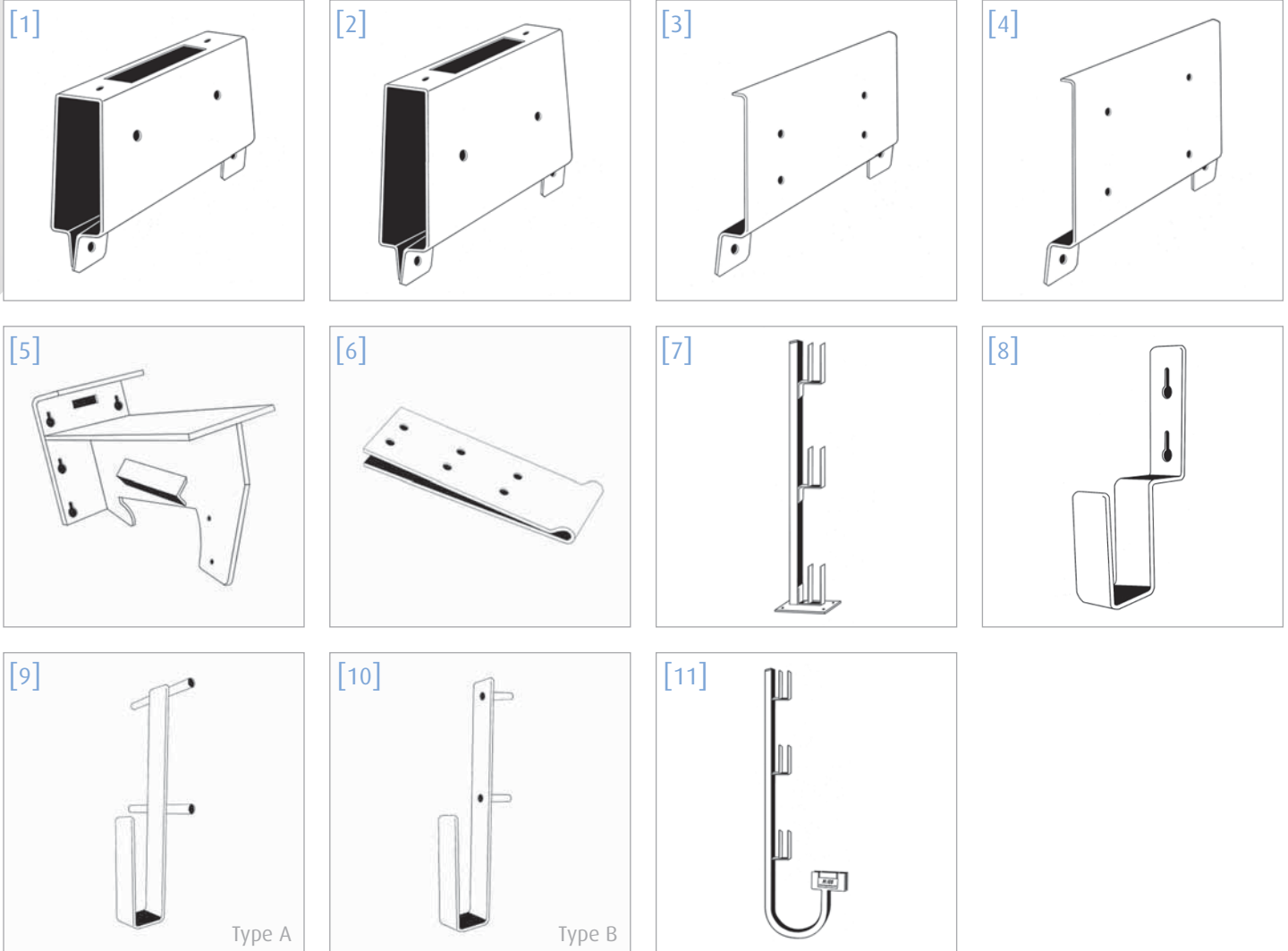
- Screw-on, reusable component
- Galvanized steel construction
- For use with HUGS Bracket

[5] HUGS Adapter Bracket* (15011) ▾

- Multi-purpose, reusable component
- Heavy gauge steel construction with durable enamel finish in safety orange
- For use with HUGS Adapter Bracket Strap & HUGS Bracket

* Sold separately.

| Part# | Truss | Description | Weight |
|-------|-------|----------------------------|--------|
| 15007 | 2 x 4 | HUGS Quick Bracket | 4.00 |
| 15008 | 2 x 6 | HUGS Quick Bracket | 4.00 |
| 15009 | 2 x 4 | HUGS Hawaii Bracket | 4.00 |
| 15010 | 2 x 6 | HUGS Hawaii Bracket | 4.00 |
| 15011 | | HUGS Adapter Bracket | 4.00 |
| 15012 | | HUGS Adapter Bracket Strap | 4.00 |
| 15013 | | HUGS Stanchion Hug | 4.00 |
| 15014 | | HUGS Opening Bracket | 4.00 |
| 15015 | | HUGS Wall Bracket – Type A | 4.00 |
| 15016 | | HUGS Wall Bracket – Type B | 4.00 |
| 15017 | | HUGS Post Bracket | 23.00 |



[6] HUGS Adapter Bracket Strap* (15012) ↘

- Consumable component
- Galvanized steel construction
- For use with HUGS Adapter Bracket

[7] HUGS Stanchion Hug (15013) ↘

- Multi-purpose, reusable plate-mounted safety rail bracket
- Heavy gauge steel construction with durable enamel finish in safety orange
- For use on construction & bridge projects requiring guardrail protection on flat surfaces & around floor openings

* Sold separately.

[8] HUGS Opening Bracket* (15014) /
[9] & [10] HUGS Wall Brackets* (15015 & 15016) ↘

- Multi-purpose, reusable component
- Heavy gauge steel construction with durable enamel finish in safety orange
- For use on construction projects requiring guardrail protection for all types of openings

[11] HUGS Post Bracket* (15017) ↘

- Reusable component
- Heavy gauge steel construction with durable enamel finish in safety orange
- For use with Quick Bracket, Hawaii Bracket & Adapter Bracket

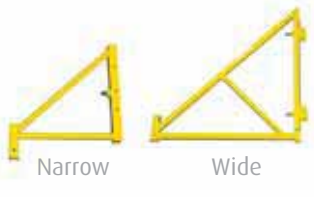
MULTI-FUNCTION SCAFFOLDS

1 Guardrails



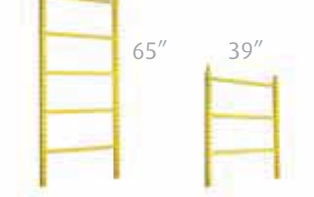
Guardrails are required when stacking and suggested even when using only a single unit. They install into trusses so they will conveniently raise and lower with the platform. Guardrails also have built-in toe-boards.

2 Narrow & Wide Outriggers



Guardian offers narrow and wide outriggers. Narrow outriggers are required when stacking two (2) MFS together. Wide outriggers are required when stacking up to three (3) MFS.

3 39" & 65" Ladders



Guardian offers 39" and 65" ladders. Two (2) 65" ladders come standard with MFS. 39" ladders are ideal for those who do not require to go up a full 6 feet.

4 Open Ladder Chain Lock



Open Ladder Chain Lock is easier to operate than competing brands. Attaching this is as easy as clipping the carabiner to the hook on the ladder.

Clone Universal Rolling Scaffold

- Steel reinforced seven-ply plywood platform
- Smooth rolling bearings in casters
- Adjustment holes every 2" for leveling on stairways, etc.
- Spring loaded locking adjustment pin for added safety
- Wide outrigger will swivel for convenience when working in narrow areas or next to the wall
- Load Capacity: 1,000 lb.



| Steel/Clone | Weight | Aluminum | Weight | Description | Qty. | Length* | Width* | Height* |
|-------------|--------|----------|--------|---------------------------------|------|---------|--------|----------------------------------|
| 15300 | 154.00 | 61067 | 88.00 | Multi-Function Rolling Scaffold | 1 | 74" | 29" | 73" |
| 15501 | | | | Spring Pings | 4 | N/A | N/A | N/A |
| 61327 | 80.00 | 61068 | 28.50 | Guardrail Set | 1 | 70" | 29" | 45" |
| 61060 | 6.60 | 61070 | 6.25 | Narrow Outrigger | 4 | 18" | 19" | 18 ³ / ₄ " |
| 61066 | 19.00 | 61072 | 7.25 | Wide Outrigger | 4 | 33" | 33" | 32 ³ / ₄ " |
| 61333 | 12.00 | | | MFS 39" Open Ladder with Chain | 2 | 2" | 29" | 39" |
| 61334 | 16.00 | | | MFS 39" Closed Ladder | 2 | 2" | 29" | 39" |
| 15358 | 22.00 | | | MFS 65" Ladder | 2 | 2" | 29" | 65" |
| 61328 | 22.00 | | | 6' Truss | 2 | 74" | 2" | 18" |
| 15361 | 33.00 | 15373 | 25.50 | 6' Plank | 1 | 67" | 29" | 2" |
| 61006 | 4.90 | 61006 | 4.90 | 5" Rubber Caster with Brake | 4 | 6" | 2" | 9" |

* All dimensions are for individual pieces.



ROLLING TOWER ASSEMBLY & PARTS

Rolling Tower Assembly (61206) ↘

- Professional grade heavy duty all aluminum planks, 75 lb./ft.
- Built-in ladders
- High strength steel tubing w/ heavy duty powder coat finish
- 1,000 lb. capacity heavy duty locking casters
- Outriggers (61184) are available

* Additional aluminum planks available separately.



61184



| Part# | Description | Qty. | Length | Width | Height | Weight |
|-------|------------------------------|------|--------|-------|--------|--------|
| 61206 | Rolling Tower Assembly | 1 | 84" | 60" | 180" | 585.00 |
| 61007 | Heavy Duty Caster | 4 | 13" | 10" | 9½" | 14.00 |
| 61152 | All Aluminum Board | 3 | 84" | 19¼" | 2" | 32.00 |
| 61158 | Cross Brace - Punched Hole | 4 | 84" | 1" | N/A | 14.00 |
| 61161 | Coupling Pin | 8 | 9" | 1¼" | N/A | 1.50 |
| 61163 | Diagonal Gooser | 1 | 106" | 1½" | N/A | 12.00 |
| 61164 | Gravity Pin | 12 | 5" | 1¼" | N/A | 0.15 |
| 61171 | Galvanized Guardrail | 4 | 84" | 1" | N/A | 8.00 |
| 61181 | 5' Rolling Tower Frame | 2 | 60" | 2" | 60" | 45.00 |
| 61182 | 6' Rolling Tower Frame | 2 | 60" | 2" | 72" | 55.00 |
| 61183 | Rolling Tower Guardrail Gate | 2 | 60" | 2" | 45" | 45.00 |
| 61184 | Outrigger | 2 | 34" | 4" | 26" | 20.00 |
| 61185 | Spring Clip for Coupling Pin | 8 | 3" | 3" | N/A | 0.05 |

GUARDRAIL SYSTEM

| Part# | Size | Description | Weight |
|-------|-----------|---|--------|
| 14002 | | Dolly / Mini-Hammer Transporter | 32.00 |
| 15177 | 22" x 22" | New Multi-Directional Guardrail Base Plate* | 94.00 |
| 15180 | 36" x 10" | Guardrail Base Plate* | 74.00 |
| 15181 | 42" x 10' | Guardrail | 54.00 |
| 15182 | 42" x 8' | Guardrail | 50.00 |
| 15183 | 42" x 6' | Guardrail | 38.00 |
| 15184 | 10" (L) | Short Toe-Board Attachment | 1.50 |
| 15185 | 21" (L) | Long Toe-Board Attachment | 2.90 |



Dolly / Mini-Hammer Transporter (14002) ↘

Our new dolly can be used to transport our new multi-directional guardrail base or be used to maneuver the new Mini-Hammer.

Guardrail System ↘

The ultimate free standing portable fall prevention system that requires no rooftop surface attachment. The Guardrail System provides fall protection in the form of a guardrail for use in lieu of, or in conjunction with, safety netting and/or personal fall arrest systems.

Components are powder coated safety yellow (guardrails) or hot dipped galvanized (base plates) for durability.

- Rail sections include weather protected instruction holster which provides a place for instructions or an Allen wrench to quickly adjust the legs
- The only guardrail system with hot dipped galvanized base plates to prevent rust from bleeding onto the rooftop
- A near ground level protective barrier that will prevent the fall of materials and equipment to lower levels and provide protection from falls for personnel (on non-portable systems mounted on sloped roofs) (OSHA 1926.500)
- Skid resistant bases
- Meets all applicable OSHA & ANSI standards

**Be sure to order one extra base plate for each continuous run to cover the end guardrail.*

THIS IS NOT A FALL ARREST OR FALL RESTRAINT SYSTEM AND IS NOT DESIGNED FOR USE AS AN ATTACHMENT POINT FOR A PERSONAL FALL ARREST SYSTEM



New base plate is also available in galvanized option!

Note: Includes attachment for toe-boards and pick point for movement with new transporter.

NEW

GOOSE WARNING LINE SYSTEM

NOT RATED FOR PERSONAL FALL ARREST
NOT RATED FOR FALL RESTRAINT
NOT RATED FOR WORK POSITIONING
NOT RATED FOR RESCUE



Spring Loaded Legs – No Additional Tools Required



Flag Line Keeper



Fast & Easy Set Up

Goose Warning Line Stanchion System

The Goose Warning Line Stanchion System is designed to be used as a fall protection system to protect workers from leading edge work, unprotected side hazards, holes and any other applicable fall hazard where a passive Goose Warning Line Stanchion System can perform properly.

Provides protection and limited access to fall hazards by creating a barrier that must be negotiated before accessing the hazard.

Do not hang lifelines, support tools or equipment from any Goose Warning Line stanchion components.



| Part# | Size | Description | Weight |
|-------|----------|-----------------------------------|--------|
| 15225 | 39" (H) | Single Stanchion | 23.00 |
| 15227 | 39" (H) | Goose Single Stanchion | 17.75 |
| 15228 | | Goose Transporter | 72.00 |
| 15230 | | Transporter for Single Stanchions | 147.60 |
| 15231 | 105' (L) | Replacement Flag Line | 0.80 |



Goose Single Stanchion (15227) ↘

- Zinc plated steel
- Convenient side handle for easy carrying
- Easy to connect stem system on top for flag line connection
- Spring loaded legs – no additional tools required
- Quick installation
- Can be permanently installed by using a #12 screw
- Reusable & easy to set up

105' Replacement Flag Line (15231) ↘

- Large, heat-sealed flags
- Flags spaced every 2 feet
- Heavy-duty nylon cord
- OSHA compliant

Goose Warning Line System Transporter (15228) ↘

- Makes transporting stanchions easier & safer
- Holds nine Goose stanchions (15227)
- Zinc plated steel construction

Transporter for Single Stanchions (15230) ↘

- Rolls 465 lb. system with ease
- Holds nine single stanchions (15225)
- Built-in lift ring for hoisting to a roof
- Built-in reel holds 300 feet of flagged line

GUARDRAIL MOUNTING OPTIONS

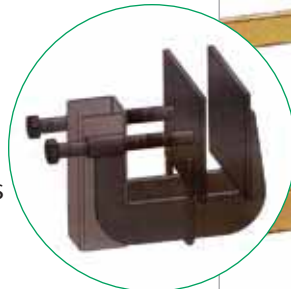
[1] Friction Fit Bracket (15026) ↘

- High quality grip tape on zinc plated steel
- Brackets can be spaced as far apart as 8 feet
- Fits 52", 65" & 74" Guardrail Posts
- Makes installation of Guardrail Posts simple, easy & secure
- Adjusts to securely hold on to fascia boards



[2] Guardrail Gusset Mounts ↘

- Galvanized steel
- Saves 40% of installation labor
- Mounts with screws or nails
- Can also mount to concrete with tapcon screws
- Bring Guardrail Posts flush with outside walls
- Reusable



[3] Guardrail Angel Boot (15188) ↘

- Durable high strength plastic
- Pliable
- Reusable
- Integrated toe board design
- For wood or concrete applications
- Reinforced gussets for long life
- Inexpensive option for residential & commercial applications
- Extremely lightweight
- Simple design



[4] Stair Mounts ↘

- Durable welded steel
- Mounts with 4 screws or nails
- Engineered to be used on concrete 2,000 psi or stronger

| Part# | Dimensions | Description | Weight |
|-------|-----------------|--|--------|
| 15026 | | Friction Fit Bracket | 3.00 |
| 15159 | | Guardrail Standard Gusset Mount | 0.25 |
| 15188 | 8½" x 5¾" x 5¼" | Guardrail Angel Boot | 0.88 |
| 61027 | | Extended Guardrail Gusset Mount | 0.46 |
| 61140 | 6" x 6" x 6" | Stair Mount for use with Guardrail Posts | 3.00 |
| 61141 | 10" x 6" x 6" | Stair Mount for use with 2 x 4 Boards | 3.00 |



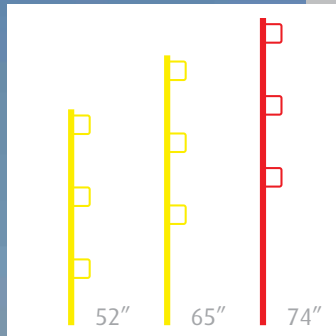
1 Guardrail Receiver for Posts (15158)

- Durable welded steel
- Mounts with screws or nails
- Tested for concrete 2000 psi
- For use with Guardrail Posts



2 Guardrail Receiver for Boards (61029)

- Durable welded steel
- Mounts with screws or nails
- Tested for concrete 2000 psi
- For use with 2 x 4 Boards



3 Guardrail Posts

- Available in 52"/65"/74"
- Lightweight welded steel
- Installs easily into mounts
- Maximum spacing 8' apart

| Part# | Height | Description | Weight |
|-------|--------|---|--------|
| 15158 | | Guardrail Receiver for use with Guardrail Posts | 4.00 |
| 61029 | | Guardrail Receiver for use with 2 x 4 Boards | 11.00 |
| 61133 | 52" | Universal Guardrail Post | 11.00 |
| 61135 | 65" | Universal Guardrail Post | 14.00 |
| 61136 | 74" | Universal Guardrail Post | 17.00 |

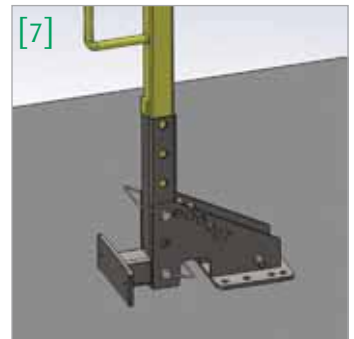
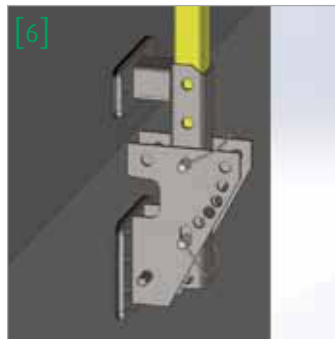
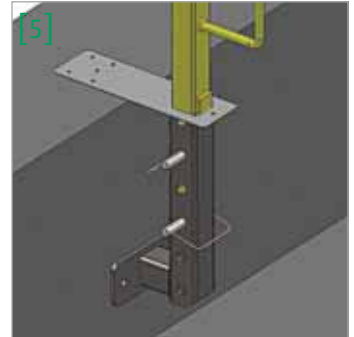
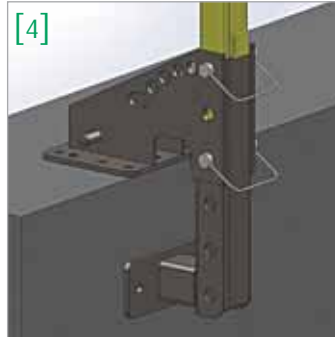
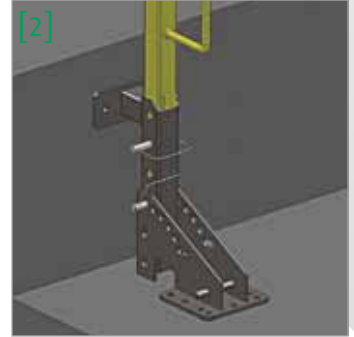
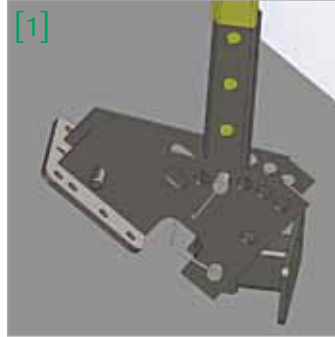
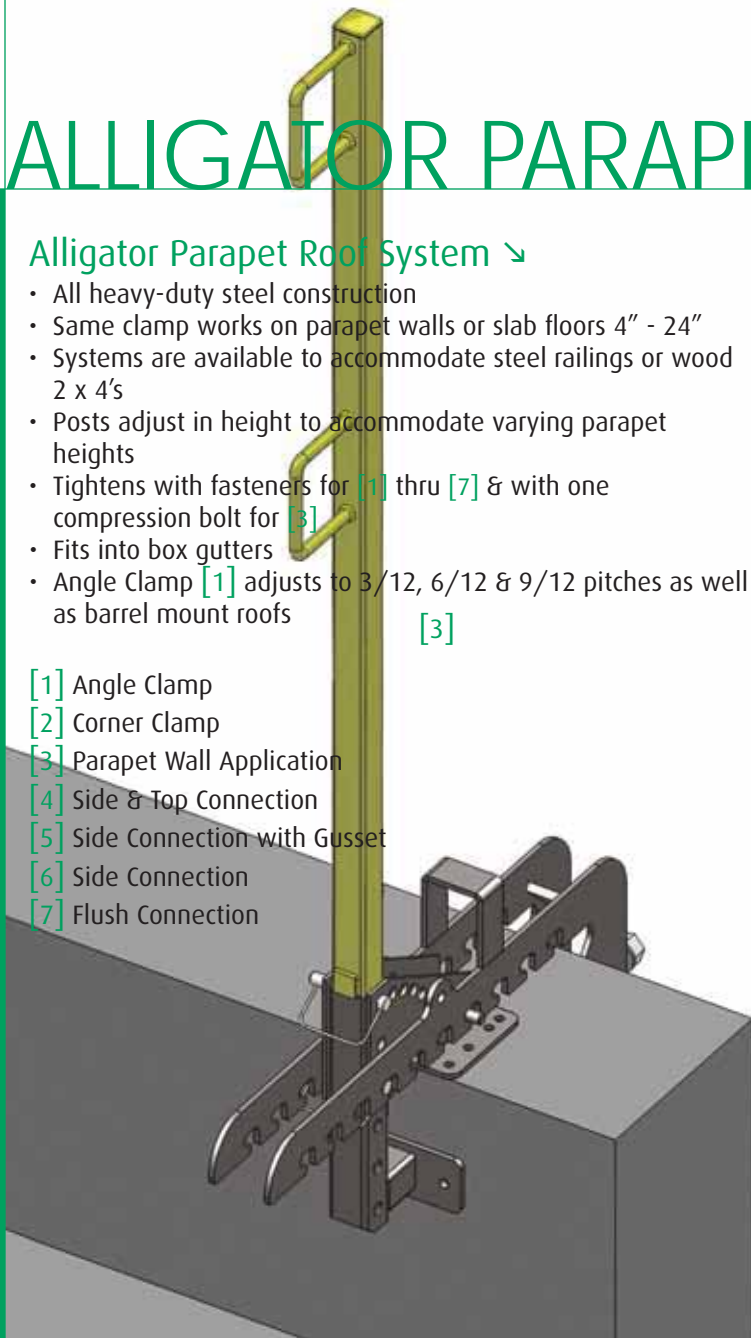


ALLIGATOR PARAPET ROOF SYSTEM

Alligator Parapet Roof System

- All heavy-duty steel construction
- Same clamp works on parapet walls or slab floors 4" - 24"
- Systems are available to accommodate steel railings or wood 2 x 4's
- Posts adjust in height to accommodate varying parapet heights
- Tightens with fasteners for [1] thru [7] & with one compression bolt for [3]
- Fits into box gutters
- Angle Clamp [1] adjusts to 3/12, 6/12 & 9/12 pitches as well as barrel mount roofs

- [1] Angle Clamp
- [2] Corner Clamp
- [3] Parapet Wall Application
- [4] Side & Top Connection
- [5] Side Connection with Gusset
- [6] Side Connection
- [7] Flush Connection



| Part# | Size | Description |
|-------|------|--|
| 15167 | | Alligator Clamp Kit: Alligator Clamp (1), 47" Guardrail Post (15163) (1) & Extended Guardrail Gusset (61027) (1) |
| 15163 | 47" | Alligator Guardrail Post |
| 61027 | | Extended Guardrail Gusset |



GUARDRAIL SYSTEMS



* Toe-board attachment required.

[1] Parapet Clamp Guardrail System (15170)

Parapet Guardrail System offers the contractor an economical and easy-to-use system. Each system includes a Parapet Clamp and a Guardrail Post.

- Installed by one person without ladders or scaffolding
- Adjusts to wall widths between 4" to 24"
- Complies with OSHA standards
- Maximum spacing 8' apart

System is not designed as an anchorage point for a fall protection system. When working near a leading edge, always use a personal fall arrest or restraint system.

[2] Parapet Anchor System (15171)

- Single point tie-off
- Works with 52" Guardrail Post (61133)
- Easy to adjust handles
- Integrated safety pin for secure set up
- Reinforced for long life
- Rated for 5,000 lb.
- Can be used with shock absorbing lanyards & SRL's
- Only one option in use at a given time

[3] Residential Guardrail System (15173)

- Roof Bracket includes Guardrail Holder & Bracing Support
- Adjustable from 6/12 to 12/12
- Versatile & cost effective
- Slotted for easy removal
- Lightweight & compact for storage
- Can be used as a slide guard or guardrail for sloped roofs
- Maximum spacing 8' apart
- When used in conjunction with 2 x 4 & 2 x 6 toe boards, the system complies with OSHA regulations

[4] C-Slab Grabber (15500)

- Ideal solution during concrete decking operations
- Back-up safety pin prevents separating
- Quick-adjust handle
- Anti-slip tape
- Fast & easy to set up
- Adjusts up to a 36" slab
- Meets or exceeds OSHA standards
- Can use 2 x 4's, 2 x 6's or cable for rails
- Affordable & built to withstand rugged construction
- Maximum spacing 8' apart

| Part# | Size | Description | Weight |
|-------|------|--|--------|
| 15170 | | Parapet Clamp Guardrail System: Clamp (1) & 42" Guardrail Post (15175) (1) | 19.00 |
| 15171 | | Parapet Anchor System | 19.00 |
| 15173 | | Residential Guardrail System: Bracket (1) & 42" Guardrail Post (15175) (1) | 19.00 |
| 15175 | 42" | Guardrail Post | 4.00 |
| 15500 | | C-Slab Grabber | 21.80 |
| 61133 | 52" | Universal Guardrail Post | 11.00 |

SAFE-T™ LADDER EXTENSION SYSTEM



1 Simple To Use Knob

Tightens by hand without scratching or damaging the ladder.



2 Safety Latch

Safety latch prevents unit from slipping off the ladder.



3 Cushioned Pads

Cushioned bumper pads help to protect the edge of a roof.



4 Hand Grips

Added hand grips for safe and easy use.



5 Retail Display Box

Retail display box for easy storage of 6 Safe-T™ Ladder extensions.



"ACCORDING TO THE U.S. BUREAU OF LABOR STATISTICS, 80% OF ALL FALLS FROM LADDERS OCCUR AT THE TOP OF THE LADDER AND 50% OF FALLS FROM LADDERS OCCUR DURING THE TRANSITION FROM THE LADDER TO A SECOND SURFACE."

Designed to attach over the top of the ladder and provide a safe and easy transition from the ladder to a second surface, the Safe-T™ Ladder requires no tools, drilling or bolting to hold it securely in place. Once installed, the unit provides two offsetting handrails that can be used to walk through and step on or off the ladder.

The patented Safe-T™ Ladder also helps workers comply with OSHA standard 1926.1053(b)(1) which states: "When portable ladders are used for access to an upper landing surface, the ladder side rails shall extend at least 3 feet above the upper landing surface to which the ladder is used to gain access." Meets OSHA standard 1926.502(b)(3) and OSHA standard 1926.1053(b)(1) as well as ANSI standard 14.2 section 8.3.3.



BASEMATE LADDER LEVEL SYSTEM

| Part# | Description | Weight |
|-------|--|--------|
| 10800 | Safe-T™ Ladder Extension System | 15.00 |
| 10804 | 6-Pack Safe-T™ Ladder Extension System Display Box | 90.00 |
| 2475 | Basemate Ladder Level System | 11.00 |



Basemate Ladder Level System (2475) ↘

- Triple action locking system – one foot operation
- Patented design
- Fits most ladders 12" - 18" rung width
- Adds less than 12 lb. to the ladder
- Weight tested to 1,200 lb.
- Improves Safety
- Saves time & money
- Easy to use & understand
- Built tough
- Does not penetrate the ladder, making installation & removal fast & easy

LADDER JACKS & LADDER PRODUCTS

[1] & [2] Aluminum Ladder Jacks ↘

- Will accommodate up to an 18" wide plank
- Use inside or outside ladder face
- Welded & riveted construction for strength & durability
- Adjustable to fit round or "D" rung ladders
- Available assembled or knockdown
- Capacity: 2 workers (500 lbs. maximum) between 2 ladders
- Packed in pairs (2422 & 2432)

2420/2420P/2422 2-Rung Short Body
 2430/2432 3-Rung Long Body

[3] & [4] Ladder Hooks ↘

- Adjusts to fit between top 2 ladder rungs
- Fits single or extension, wood, fiberglass & aluminum ladders with round or "D" rung styles
- 2481 rolls ladder without damaging shingles



| Part# | Description | Weight |
|-------|--|--------|
| 2420 | 2-Rung Short Body Ladder Jack | 5.00 |
| 2420P | 2-Rung Short Body Ladder Jack (packaged) | 6.25 |
| 2422 | 2-Rung Short Body Ladder Jack (pair) | 11.00 |
| 2430 | 3-Rung Long Body Ladder Jack | 6.00 |
| 2432 | 3-Rung Long Body Ladder Jack (pair) | 13.00 |
| 2480 | Ladder Hook (no wheel) | 5.00 |
| 2481 | Ladder Hook (with wheel) | 7.00 |

NEW

LOCK-N-CLIMB



1 Easy To Install

With easy to read and follow instructions, your ladder will become stable in just minutes.



2 Stable

The stabilization helps to reduce the possibility of the ladder kicking out.



3 Compact

The spring loaded stabilizers allow the unit to fold up quickly and easily.

| Part# | Description | Weight |
|-------|--|--------|
| 2460 | Lock-N-Climb for 16' - 20' Extension Ladders | 9.50 |
| 2465 | Lock-N-Climb for 24' - 40' Extension Ladders | 13.75 |

Lock-N-Climb ↘

Prevent dangerous and costly workplace ladder accidents with Lock-N-Climb. Made of durable 1/4" 6061 grade aluminum, the U.S. Patent Pending Lock-N-Climb has been engineer-certified to withstand loads in excess of OSHA requirements, according to ANSI A14.2, ANSI 14.5 standards.

Lock-N-Climb fits any extension ladder and installs in minutes using the detailed assembly-manual. Lock-N-Climb is used to promote ladder safety in leading companies in the construction, food, housing, roofing, hotel, agricultural and telecommunications industries across America.

- Adds safety & security to 16' - 40' extension ladders
- Strong & stable
- Durable corrosion resistant 6061 grade aluminum
- Exceeds ANSI A14.2 & A14.5 & ANSI load tests
- Engineered tested & ANSI certified
- The new spring loaded Lock-N-Climb attaches easily to extension ladders for commercial & industrial use
- Lock-N-Climb & Safe-T™ Ladder system are built for the ultimate safe work for the professional contractor or home owner



LADDER ACCESSORIES

| Part# | Description | Weight |
|-------|------------------|--------|
| 15104 | Ladder Assist | 21.00 |
| 2477 | Ladder Rung Step | 1.80 |



Ladder Assist (15104)



Ladder Rung Step (2477)

Ladder Assist (15104) ↘

- Not used for fall protection
- A simple hand support device to aid the worker while transitioning from a ladder to the rooftop
- Device easily attaches to most permanent ladders
- Spring loaded design allows one-handed operation

Ladder Rung Step (2477) ↘

The new Ladder Rung Step is designed to reduce worker fatigue by expanding the foot support of a worker. Easily attached and lightweight, this patented design requires no tools to install and easily fits to most ladders in just seconds. Constructed of reinforced aluminum, this new ladder accessory makes work easier to complete while using an extension ladder providing more stability.



[1] The Patented Ladder Dolly ↘

- Designed for single worker use
- Reduces carrying weight by up to 90%
- Attaches quickly and easily to most ladders
- Secures with one bolt, clip or adhesive
- Reduces work fatigue & increases productivity
- Edge-mounted position allows easy storage
- Available in various versions:
 - Heavy-Duty model with 8" diameter wheels*
 - Light-Duty model with 6" diameter wheels*
 - Step Ladder model with 1" ball bearing wheels*

[2] Ladder Stability Anchor ↘

Guardian's Ladder Stability Anchor complies with OSHA 1926.1053(b)(1): "...ladder shall be secured at its top to a rigid support that will not deflect."

The device is made of lightweight aluminum and allows for secure attachment, without penetration, of the fascia board or to rafters. Comes with 2 feet and 3 feet Velcro straps that firmly fasten around top rung of the ladder. No special tools are required and only takes seconds to attach.

[3] Corner Buddy Ladder Stabilizer ↘

- For use on corners, flat, round & multi-dimensional construction surfaces
- Easier access to gutters, downspouts & soffits
- Adds stability & safety

| Part# | Description | Weight |
|-------|--|--------|
| 10808 | Ladder Stability Anchor (includes 2' & 3' Velcro straps) | 2.00 |
| 10811 | Permanent Ladder Anchor Flat Roof (includes 2' & 3' strap) | 1.00 |
| 10812 | Permanent Ladder Anchor Vertical Wall (includes 2' & 3' strap) | 1.00 |
| 10825 | Ladder Dolly - Standard | 4.00 |
| 10826 | Ladder Dolly - Wide | 5.00 |
| 10827 | Step Ladder Dolly | 1.00 |
| 2470 | Corner Buddy Ladder Stabilizer | 5.00 |



CONSTRUCTION TARPS

| Part # | Size | Description | Sq. Ft. |
|--------|------------|---------------------------------------|---------|
| 8000 | 6' x 8' | Construction Tarp | 48 |
| 8001 | 8' x 10' | Construction Tarp | 80 |
| 8002 | 10' x 12' | Construction Tarp | 120 |
| 8003 | 10' x 20' | Construction Tarp | 200 |
| 8004 | 12' x 16' | Construction Tarp | 192 |
| 8005 | 12' x 25' | Construction Tarp | 300 |
| 8006 | 15' x 20' | Construction Tarp | 300 |
| 8007 | 15' x 30' | Construction Tarp | 450 |
| 8008 | 16' x 20' | Construction Tarp | 320 |
| 8009 | 20' x 20' | Construction Tarp | 400 |
| 8010 | 20' x 30' | Construction Tarp | 600 |
| 8011 | 20' x 40' | Construction Tarp | 800 |
| 8012 | 30' x 40' | Construction Tarp | 1200 |
| 8013 | 30' x 50' | Construction Tarp | 1500 |
| 8014 | 40' x 40' | Construction Tarp | 1600 |
| 8015 | 40' x 60' | Construction Tarp | 2400 |
| 8016 | 50' x 100' | Construction Tarp | 5000 |
| QS65 | 3" x 7' | Zip-Up "Peel & Stick" Zipper (2 pack) | |



Construction Tarps ▾

- Heat sealed seams
- Reinforced grommets
- Rope in hem
- Waterproof
- Windproof
- Mildew resistant
- Tear resistant
- Washable
- UV protected
- Ideal for painting, masonry, roofing & more!

Zip-Up "Peel & Stick" Zipper Door ▾

This innovative new product creates easy access into tarp or polyethylene enclosures. It can be opened from either side and is super easy to install. With hundreds of applications, the Zip-Up is fast becoming the new must-have accessory with any tarp purchase.

Quick & easy installation:

1. Simply peel off back paper & apply to a clean tarp surface
2. Open the zipper & cut the tarp material the length of the zipper
3. Installation is then complete!

FIELD OF APPLICATIONS





QUICK SUPPORT TOOL

| Part# | Size | Description | Qty. |
|-------|------|---|------|
| QS40 | 12' | Quick Support Tool | 3 |
| QS50 | 10' | Quick Support Tool | 3 |
| QS50M | 10' | Quick Support Tool – Unit Merchandiser | 36 |
| QS51 | | Quick Support Replacement Pad | 1 |
| QS52 | | Quick Support Adapter with Ball Joint | 1 |
| QS70 | 10' | Quick Support 4+ – PRO Series | 10 |
| QS71 | 51" | Quick Support Extension – PRO Series Only | 1 |

Quick Support Tools (QS40, QS50 & QS70) ↘

- Provides extra support when working alone
- Locate, adjust & tighten with one hand
- Great for: hanging drywall, trim & crown molding, creating dust barrier, truck load stabilizer, cabinet installation

QS40 Load: 88 lbs.
Length: 53" – 144"

QS50 Load: 110 lbs.
Length: 45" – 120"

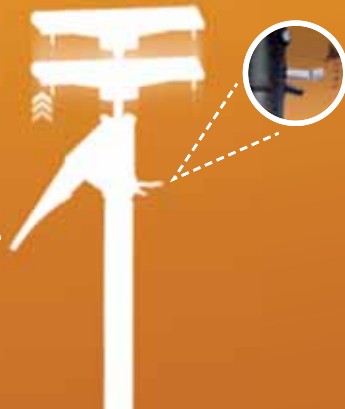
QS70 Load: 154 lbs.
Length: 60" – 120"
Compatible with 51" Quick Support Extension (QS71) for higher ceilings & application



Shown QS40/QS50



4" - 8"



STEP 1

Preset the length required at a level of approximately 4" – 8" under the ceiling height, allowing ample space for the device to maneuver. Lock the tension device by twisting the tubes.

STEP 2

Flip the lever on the tool with your thumb. This will extend the support arm to ceiling height automatically.

STEP 3

Squeeze the metal handle on the opposite side to firmly secure the device. This whole procedure takes literally 1 – 2 seconds.

FIELD OF APPLICATIONS





DUST PROTECTION

1 Dust Proof Door Cover

A padlock can be attached to the zipper preventing unwanted trespassing as well as offering protection against theft of tools and of other relevant materials. The system can be used repeatedly as the walls and doors are washable.

2 Side Clamps

Side clamps are used to close off the dustproof wall or dustproof door at the side. The side clamp is clamped between the supports (positioned parallel to the wall) and the plastic curtain. The plastic curtain is then secured against the wall. 3 to 5 side clamps can be used depending on the height of the wall or door. Patent is pending.

3 Top Clamps

Top clamps are used to close off the dustproof wall or dustproof door at ceiling height. The top clamp can be placed on the upper pole of the QS30, QS60 or QS70. The spring mechanism pushes the plastic curtain over a length of 30" against the ceiling. It is possible to place 2 top clamps on one support, even when the support is turned more than 90° degrees. Patent is pending.

* Clamps can only be used with the QS70 Quick Support 4+ PRO Series.

Shown QS70

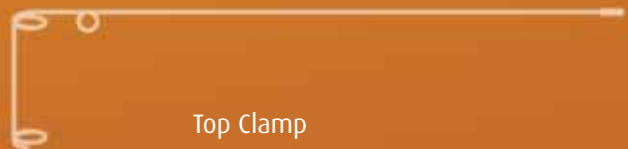
Dustproof Wall System ↘

By using the dustproof wall system from Qualcraft®, one can easily assemble a dustproof door or a dustproof wall with a door. The wall shape is optional, with "I", "L" and "U" shapes being very common choices. The walls and doors are put in place by using the Quick-Supports and can then be extended to your liking.

Walls and doors may be connected to form a dustproof system by using sewed QS-VELCRO (Velcro fastening). The door can be opened by using a zipper.



Side Clamp



Top Clamp

ACCESSORIES

| Part# | Size | Description | Qty. |
|-------|---------|---|------|
| QS55 | | Quick Support Carrying Bag | 1 |
| QS60 | | Quick Support Dust Proof Door Cover | 1 |
| QS65* | 3" x 7" | Blue Zip Up Peel & Stick Zipper | 1 |
| QS71 | 51" | Quick Support Extension – PRO Series Only | 1 |
| QS72 | | Quick Support Clamp Kit: 6 side & 4 top | 1 |
| QS73 | | Quick Support Non-Skid Aluminum Plate | 1 |
| QS74 | | Quick Support Laser Holder | 1 |

Magnetic Holder for Laser or Lamp (QS74) ↘

The magnetic holder can be positioned at any desired place on the support. By using a standard screw any cross laser can be attached to the holder (1/4" x 20" standard camera thread). Positioning is possible on ground level or close to the ceiling (i.e. to obtain a horizontal line for curtain strips or borders). At this height a tripod would certainly fail. An additional advantage is the support is more stable and cannot be easily knocked over like a tripod.



Non-Skid Aluminum Plate (QS73) ↘

In order to provide a larger area of support it is possible to exchange the regular rubber pads with a non-skid aluminum plate. This plate is covered with a non-skid rubber pad and has a ball-and-socket joint.

Size: 3" x 16" = 8 x 40 cm



Carrying Bag (QS55) ↘

The carrying bag has two comfortable handles and is specially designed for transporting the supports and the accessories. The carrying bag can store up to 8 supports.



Quick Support Extension (QS71) ↘

The Quick Support Extension can be added to the PRO Series Quick Support (QS70). This can easily be accomplished by pulling apart the 2 tubes and adding the extension tube. Removing the extension tube is just as easy. (The QS40 & QS50 Quick Supports cannot be extended).



* Shown on page 36-37.

NEW

30" MAGNETIC SWEEPER



1 Magnet Handle

Quick release magnetic handle specially designed for easy removal of debris.



2 Smooth

Smoothly snaps up nails, screws or paper clips.



3 7" Wheels

7" wheels roll easily over your shop floor, job site or parking lot to pick up nails, screws and metal scrap.

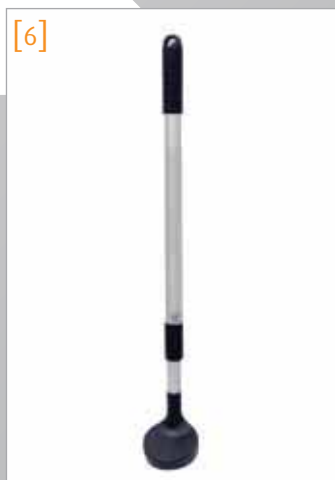


| Part# | Size | Description |
|-------|------|------------------------------|
| 2688 | 30" | Magnetic Sweeper with Wheels |

- Extra-wide sweep head for quick clean up
- Ideal for carpets-even grass
- One-pull release quickly clears debris from sweeper
- Handle extends from 30" to 44 1/2"
- Pull Force: 30-50 lb.

JOBSITE CONSTRUCTION PRODUCTS

| Part# | Description | Weight | Stock |
|-------|--------------------------|--------|-------|
| 2601 | Wall Jack | 17.00 | S |
| 2602 | Wind Hook Accessory Kit | 7.00 | S |
| 2605 | Little Pee Vee | 2.00 | S |
| 2610 | Big Pee Vee | 3.50 | S |
| 2620 | Adjustable Wall Brace | 12.00 | S |
| 2680 | Magnetic Rolling Sweeper | 3.25 | S |
| 2685 | Magnetic Stick | 2.32 | S |



[1] Wall Jack (2601) ↘

- Constructed of heavy duty malleable iron castings
- Designed for use with one 2 x 4 pole
- Capacity: 1000 lb. per jack
- For use with 1" OD steel pipe

[2] Wind Hook Accessory Kit (2602) ↘

- Includes base plate and wind hook cable assembly
- Provides a complete wall lifting system when used in conjunction with the Wall Jack (Model #2601)

[3] Pee Vee (2605 & 2610) ↘

- Provides pushing & pulling power to move sill plate
- Assures proper alignment
- More precise than hammering

[4] Adjustable Wall Brace (2620) ↘

- All steel construction
- Powder coated for durability
- Adjustable from 10' 6" to 11' 6"
- Fast thread design makes for easy use

[5] Magnetic Sweeper (2680) ↘

- Ideal job site/workshop companion
- Picks up any ferrous metal
- Magnetic device removes debris
- Magnetic release for easy disposal

[6] Magnetic Stick (2685) ↘

- Easy to use & time saving
- Safe & practical
- Angled handle to get in hard to reach areas
- Permanent magnet
- Picks up any ferrous metals such as tools, bolts or nails
- Unique handle telescopes from 23" to 43"



jobsite construction equipment



SAWHORSES

| Part# | Height | Description |
|-------|--------|-------------------|
| TS27 | 27" | Standard Sawhorse |
| TS35 | 35" | Tall Sawhorse |



STEP 1



STEP 2



STEP 3

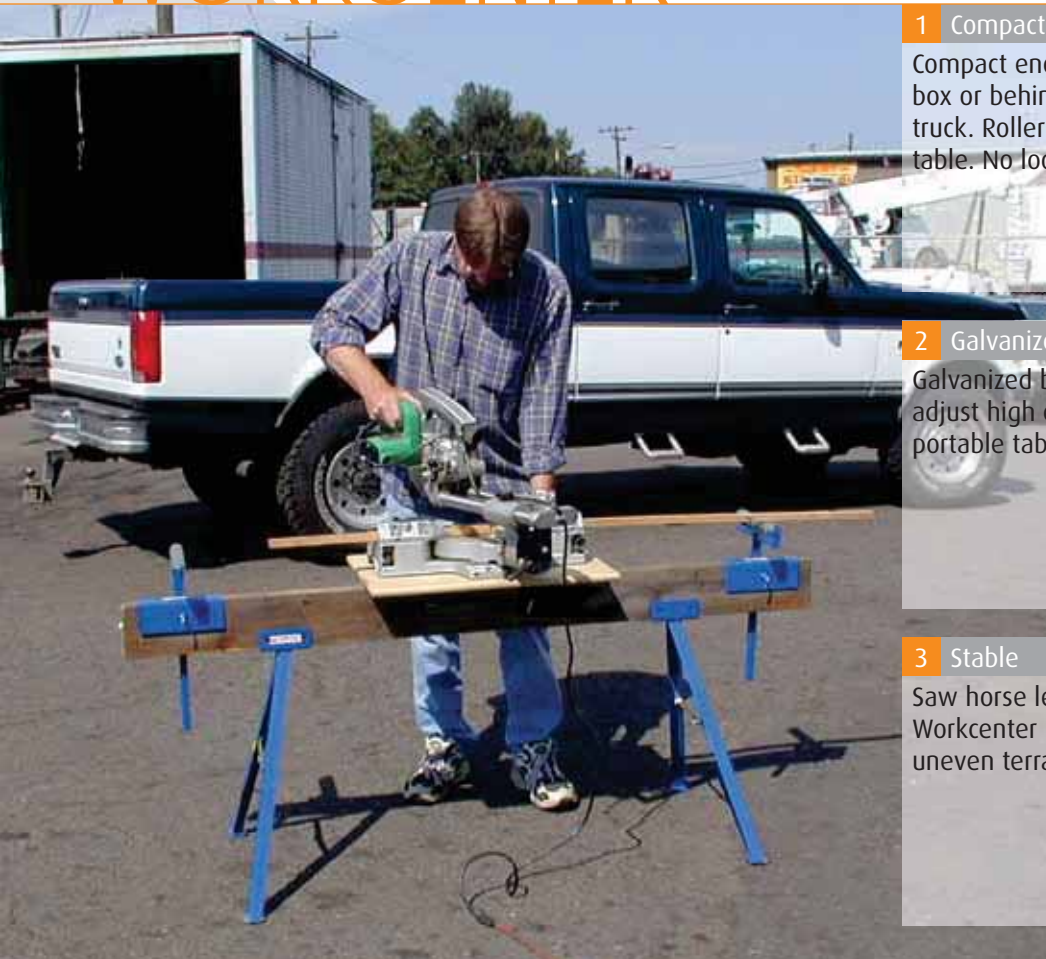


- Strongest, toughest, most rugged sawhorses on the market
- Simple design for fast & easy set up creates a sturdy horse in seconds
- Gripping teeth set up requires no screws or nails
- Make a sawhorse whatever length you want by using any 2 X lumber
- Ends worries about cutting into your sawhorse or ruining a blade
- 1/8" thick welded steel construction
- Folds for compact storage
- Two heights to choose from



Gripping Teeth

WORKCENTER



1 Compact

Compact enough to fit in a tool box or behind the seat of your truck. Rollers store with the table. No loose parts.

2 Galvanized Rollers

Galvanized ball bearing rollers adjust high enough even for portable table saws.



3 Stable

Saw horse legs self level so Workcenter is sturdy even on uneven terrain.



| Part# | Height | Description |
|-------|--------|---|
| TWC27 | 27" | Workcenter: 2 Standard Sawhorses, 2 Roller/Brackets, Saw Table & Brackets |
| TWC35 | 35" | Workcenter: 2 Tall Sawhorses, 2 Roller/Brackets, Saw Table & Brackets |
| TR10 | | Roller & Brackets |
| TT24 | | Saw Table & Brackets |



- Simple, versatile design for complete portability
- Rugged construction
- 16" X 30" MDF (Medium Density Fiberboard) tabletop
- Fast, easy set up in less than a minute
- Use with miter saws, table saws, planers & other bench top power tools
- Lightweight design ensures easy mobility without wasting valuable time to reset up your stand
- Sets up in a variety of configurations for different jobs, different tools
- Roller supports can be moved to any position quickly without resetting height (additional rollers available)
- Rollers adjust in height to work with chop saws, miter saws, planers or even table saws
- Length of material support is limited only by the length of cross member used
- Available in two sizes: standard & tall





WORK & PLAN TABLES



1 Construction

- Rugged Construction/Sturdy Design
- Plywood MDO table top
- 1" steel tube frame
- Powder coated finish
- Stable enough for mounting a vise



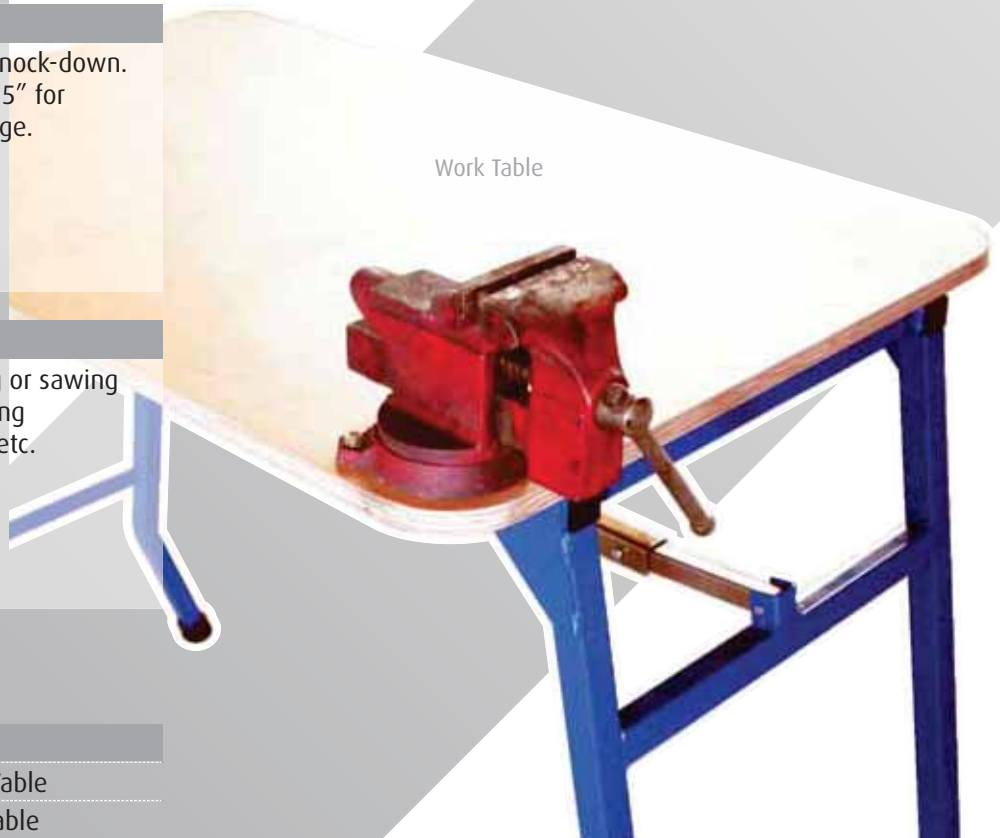
2 Compact

Quick to set-up & knock-down. Folds compactly to 5" for transport and storage.



3 Perfect for:

- Layout, clamping or sawing
- Barbecue, camping
- Hobbies, sports, etc.



| Part# | Dimensions | Description |
|--------|----------------|---------------------|
| WT2438 | ¾" x 24" x 38" | Portable Work Table |
| PT2640 | ½" x 26" x 40" | Portable Plan Table |

Portable Plan Table ↘

- Put it where you want
- Rugged construction
- Clamps to any open stud
- View plans at a comfortable height
- Powder coated steel frame
- Also can be screwed to metal studs





PORTABLE SAW STANDS

| Part# | Working Height | Description |
|----------|----------------|-------------|
| SC744 | 36" | Saw Caddy |
| RM36540U | 36" | Rip Master |



Saw Caddy

Saw Caddy ↘

- Steel tube construction
- 24" frame height
- Collapsible, foam padded handle
- Easy five minute assembly
- Durable powder coat finish lasts for years
- Designed for the DeWalt DW-744, but can be adapted for use with other bench-top table saws & equipment such as planers, etc.)
- Rugged 10" wheels move saws easily around the job

RipMaster ↘

- Fence adjusts easily to be exactly parallel with the blade for smooth, accurate cuts every time
- Steel tube construction
- 17 1/4" x 21" melamine table top
- Fits most direct-drive, bench-top table saws with a table size 26" to 27 1/2" wide by 17" to 23" deep
- 10" stair climbing wheels
- Legs adjust to uneven surfaces so the stand is always sturdy
- Sturdy cam lock fence



RipMaster



- [1] Optional outfeed system supports up to 8' lengths
- [2] Rolls like a hand truck around the job & upstairs
- [3] Easy storage including blade holder & cord wrap
- [4] Increase ripping capacity to 27" or more



PORTABLE MITER SAW STANDS

1 Available Accessory

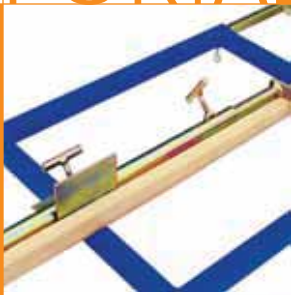
The MS-109 is a simple stop for repetitive cuts 0 to 9 feet long. Extension with second galvanized roller support and adjustable legs for easy feed of long, heavy material.

2 Compact

MS-2000 stores compactly with the basic unit for easy transport.

3 Fully Adjustable

Adjust wing and roller height one time when mounting your saw.



| Part# | Dimensions | Description |
|----------|------------------|--------------------------------------|
| MS2000 | 1/2" x 16" x 40" | Portable Miter Saw Stand – Standard |
| MS2008WB | 1/2" x 24" x 40" | Portable Miter Saw Stand – Wide Body |

The MS-2000 is without doubt one of the best and most thought-out miter stands on the market today. The simplicity of having all working parts contained in a single unit, able to fold and unfold in seconds, roll easily to the jobsite while actually "carting" your saw, and then provide full support for your material on top of it all, puts the MS-2000 in a league of its own.

The time you will save using this Trojan product over other stands out there will literally pay for the MS-2000 in a matter of weeks. Taller than most, it is 35" high table makes it a very comfortable stand to use too, something that will make your work more enjoyment day in and day out.

- Flared legs for improved stability
- Large 1/2" x 16" x 40" plywood table
- Fast set-up
- 10" pneumatic wheels
- Rugged .065" steel tube frame
- Durable powder coated finish
- Folds compactly with saw attached for easy transport & storage
- Both work with all MS accessories
- Once set up there is 13' of full material support
- Comes standard with galvanized rollers – will not rust
- "Ladder Frame" wings support different lengths of material
- Quickly move your saw station & save "back and forth" time

*Saw is not included.



PORTABLE MITERSAW STANDS



Wide Body Miter Saw Stand

- Oversized 1/2" x 24" x 40" plywood table accommodates bigger saws & provides extra big working surface
- Flared legs give a wide & stable stance
- Ball-bearing rollers help heavy stock feed smoothly
- Two wings provide over 13 feet of continuous support
- 10" pneumatic wheels roll easily around the job
- Fast & easy set-up takes less than a minute
- Rugged .065" steel tube construction
- Comfortable 35" table height
- Durable powder coated finish
- Cart your saw to the job

*Saw is not included.



jobsite construction equipment

NEW

ROLLER STANDS



| Part# | Size | Description |
|-------|------|--|
| RS12 | 12" | Industrial Grade Ball Bearing Roller Stand |
| RS15 | 15" | Roller Stand with Heavy Duty Base |
| BRS10 | 10" | Ball Roller Stand with 8 Ball Rollers |
| PS10 | 10" | Pipe Stand with 3" Ø Capacity |
| PS15 | 15" | Pipe Stand with 6" Ø Capacity & HD Base |
| BR10 | 10" | Roller with Mountable Bracket |

- All steel construction
- Adjust from 24" to 40" in height
- Unique design makes them very stable at any height
- Roller will not rust or stain wood
- Durable powder coated finish lasts for years
- Patented base design
- 1" x 1" steel tube feet allow for extra weight to be added to the base

- [1] Industrial Grade Ball Bearing Roller Stand
- [2] Ball Roller Stand with 8 Ball Rollers
- [3] Pipe Stand with 6" Ø Capacity & HD Base
- [4] Roller with Mountable Bracket



JOBSITE EQUIPMENT



[1] The Dolly-Cartin™ ↘

- Two Big 10" 4-ply pneumatic wheels for smooth rolling
- Turn-on-a-dime maneuverability
- Powder coated finish
- Rugged steel construction
- Perfect for transporting plywood, MDF, sheetrock, windows, doors, countertops, mattresses, etc. by yourself
- Side plates quickly adjust in-and-out from 0" to 9" wide

[2] Door Holder ↘

- Holds door panels up to 3" thick
- Great for routing, planing or sanding
- 24" wide base, 10" vertical support
- Fast to set up & easy to use
- Simple design & function
- Durable powder coated finish
- Compact for easy storage
- Rugged steel tube construction

** Note: The Trojan Pullers are discontinued because we have better pullers in the Qualcraft® line already at a better price.*

| Part# | Description |
|-------|-------------------|
| DC9 | The Dolly-Cartin™ |
| DH1 | Door Holder |

NEW

KNIVES & BLADES



3600



3601



3602



3603



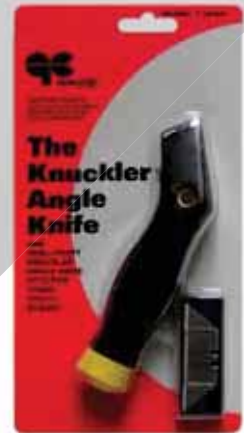
15051



15052



15053



15054

Folding Utility Knife (3600) ▾

- Durable pocket utility knife folds with the push of a button
- One-step blade release
- Metal belt clip
- Refill with Qualcraft utility blades #3619 & #3620

Quick Change Non-Retractable Knife (3601) ▾

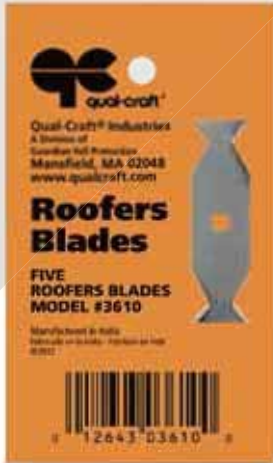
- Heavy-duty knife features easy-open knob to change blades
- Blade storage inside handle
- Comfortable rubber grip
- Refill with Qualcraft utility blades #3619 & #3620

Roofer's Knife (3602) ▾

- Constructed of plated heavy gauge steel casing
- Easily adjust blade position and depth of cut
- Refill with Qualcraft roofers blade #3610

2-in-1 Combination Knife (3603) ▾

- Utility blade locks open when in use
- Durable serrated blade provides "dry-shave" sharpness
- Push button blade change
- Refill with Qualcraft utility blades #3619 & #3620



3610



3613



3619



3614



3620

| Part# | Thickness | Description |
|-------|-----------|------------------------------------|
| 15051 | | Angle Knife |
| 15052 | | Non-Retractable Knife |
| 15053 | | Hi-Vis Utility Knife |
| 15054 | | The Knuckler Angle Knife |
| 3600 | | Folding Utility Knife |
| 3601 | | Quick Change Non-Retractable Knife |
| 3602 | | Roofer's Knife |
| 3603 | | 2-in-1 Combination Knife |
| 3610 | 0.024" | Roofer's Blade - 5 envelope |
| 3613 | 0.024" | English Hook Blade - 5 card |
| 3614 | 0.024" | English Hook Blade - 50 puck |
| 3619 | 0.024" | 92 Type Utility Blade - 5 card |
| 3620 | 0.024" | 92 Type Utility Blade - 50 puck |

Roofer's Blade (3610) ↘

- Four sharpened edges
- Use with Qualcraft Roofer's Knife #3602

English Hook Blades (3613/3614) ↘

- Cuts roofing materials, linoleum, carpet, fabric, cartons & sheet materials
- Fits most standard roofing & utility knives including Qualcraft #3600, #3601 & #3603

92 Type Utility Blades (3619/3620) ↘

- Most popular all-purpose utility blade
- Fits most standard utility knives including Qualcraft #3600, #3601 & #3603

Angle Knife (15051) ↘

- Retractable, ergonomic knife opens quickly for tool-less blade changes
- 3 position slider
- Store spare blades in handle
- Refill with Qualcraft blades #3619, #3620 or other standard utility blades

Non-Retractable Knife (15052) ↘

- Textured surface for better grip
- Store spare blades in handle
- Refill with Qualcraft blades #3619, #3620 or other standard utility blades

Hi-Vis Utility Knife (15053) ↘

- Classic knife in highly visible red
- 3 position slider
- Refill with Qualcraft blades #3619, #3620 or other standard utility blades

The Knuckler Angle Knife (15054) ↘

- Ergonomic handle opens quickly for tool-less blade changes
- Store spare blades in handle
- Refill with Qualcraft blades #3619, #3620 or other standard utility blades



TOOL HOOKS

1 Original Tool Hook (3630)

The Qualcraft® Tool Hook is a simple and efficient way to carry tools around when you work. Free up your hands to work and use Qualcraft® Tool Hooks to make you work faster.

2 Bungee Tool Hook (3631)

Durable hook is engineered to hold a variety of tools securely. Because it is constructed of aircraft grade aluminum it can take the rigors of the jobsite and come back for more. Its also flexible, so it can handle any sized tool.

3 Patented Bit Tote Tool Hook (3632)

No more digging through your pockets or trekking up and down a ladder to find or retrieve dropped bits. The Bit Tote Tool Hook conveniently stores up to four 1" bit-tips or two 2" bits at your side. Just drop the bits in the channel to load the tote. To get the bits out press down on the dispense tab and let gravity do all the work.



| Part# | Description |
|-------|----------------------|
| 3630 | Tool Hook – Original |
| 3631 | Tool Hook – Bungee |
| 3633 | Tool Hook – Bit Tote |

- 3630 Swivel hook rotates for left or right-handed use
- 3631 Push & lift to easily release bungee hook
- 3633 Bit holder takes either (2) 2" bits or (4) 1" bits

* All Tools Hooks come standard out of the box in a Velcro clip strip retail display.

Tool Hooks (3630/3631/3632) ↘

- Qualcraft Tool Hooks can be used in many ways to free up your hands to do the job fast and not carry your tools!
- Attaches to belt & holds almost any tool within arm's reach
- Constructed of strong spring steel & durable impact resistant plastic to provide you the strength you demand
- Use the Qualcraft® Tool Hook (3630) to hold drills/drivers, nail/staple guns, paint sprayer, work buckets, extension cords, paint buckets, hammers and many other items – even a trowel!
- The Bit Tote Tool Hook (3632) swivels from side to side allowing the hook to easily be moved out of the way when not in use. The innovative 4 position stops provide better tool stability.



LONG HANDLE TOOLS



- [1] 2530
- [2] 2531
- [3] 2532
- [4] 2533
- [5] 2534

| Part# | Gauge | Head | Handle | Grip Handle | Description | Qty. | Weight |
|-------|-------|-----------|---------|---------------------|--|------|--------|
| 2530 | 14 | 8½" x 12" | 48" Ash | | Tempered Steel Tab Socket Round Point | 6 | 5.00 |
| 2531 | 14 | 8½" x 12" | 48" Ash | | Tempered Steel Tab Socket Square Point | 6 | 5.00 |
| 2532 | 14 | 8½" x 12" | 24" Ash | Steel & Wood D-grip | Tempered Steel Tab Socket Round Point | 6 | 5.00 |
| 2533 | 14 | 8½" x 12" | 24" Ash | Steel & Wood D-grip | Tempered Steel Tab Socket Square Point | 6 | 5.00 |
| 2534 | | 14" x 18" | 24" Ash | Steel & Wood D-grip | #12 Steel Grain Sitebreaker Scoop | 3 | 5.67 |

Long Handle Digging Shovel (2530) ↘

- Ideal for digging & excavation in hard, rocky conditions
- Shank is constructed of steel for maximum strength & durability

Long Handle Transfer Shovel (2531) ↘

- Perfect for mixing concrete, moving sand & jobsite debris
- Smooth back blade minimizes dirt & mud build-up

Digging Shovel with D-Grip (2532) ↘

- Commercial grade 14 gauge blade
- 24" sturdy Northern white ash handle
- Steel & wood D-grip handle

Transfer Shovel with D-grip (2533) ↘

- Perfect for mixing concrete, moving sand & jobsite debris
- Industrial 14 gauge solid shank steel blade
- Steel & wood D-grip handle

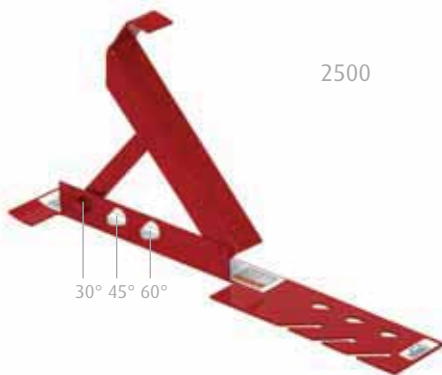
Sitebreaker Scoop with D-grip (2534) ↘

The Sitebreaker scoop has superior strength and durability. The sturdy steel scoop is ideal for cleaning up jobsite material, roofing shingles, sand, snow, mulch or even moving grain. It can also be used for general clean-up, leveling off areas or scraping debris from hard surfaces.

ADJUSTABLE ROOF BRACKETS

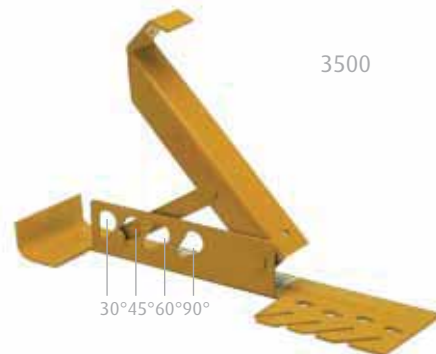
Adjustable Steel Roof Bracket (2500) ▾

- For use on variable pitched roofs
- 10" adjustable platform
- 3 position platform: 30°, 45°, 60°
- Commercial grade 12 gauge steel construction
- For easy installation & removal without damaging the shingle
- Capacity: 1 worker plus 40 lbs. per 8' staging
- Maximum 8' spacing between brackets



PRO-LINE Adjustable Steel Roof Bracket (3500) ▾

- 10" adjustable platform
- 4 position platform: 30°, 45°, 60°, 90°
- Commercial grade 10 gauge steel construction
- Powder coat paint finish
- Rounded corners eliminate shingle damage
- Capacity: 1 worker plus 40 lbs. per 8' staging
- Maximum 8' spacing between brackets



Adjustable Wood/Steel Roof Bracket (2510) ▾

- 2 position platform: 45° & 60°
- HD hardwood maple & 15 gauge galvanized steel construction
- 12" platform
- Platform retainer & locking mechanism for additional safety
- Designed to eliminate shingle damage
- Capacity: 1 worker plus 40 lbs. per 8' staging
- Maximum 8' spacing between brackets



Slater's Style Roof Bracket (2525) ▾

- 6 position locking adjustments
- Constructed of heavy duty galvanized steel
- 10" platform
- Can be repositioned & taken down w/o damaging shingles
- Folds flat for convenient storage and transport
- Replaceable 3 position tongue
- Capacity: 1 worker plus 40 lbs. per 8' staging
- Maximum 8' spacing between brackets



| Part# | Description | Weight |
|-------|------------------------------------|--------|
| 2500 | Adjustable Steel Roof Bracket | 2.40 |
| 2510 | Adjustable Wood/Steel Roof Bracket | 4.60 |
| 2525 | Slater's Style Roof Bracket | 8.00 |
| 3500 | PRO-LINE Adjustable Roof Bracket | 3.75 |

FIXED ROOF BRACKETS

Providing a complete range of roof brackets, Qualcraft® offers fixed and adjustable roof brackets for all roof pitches and materials including slate. Durable, easy-to-install and remove and designed to protect all roof surfaces, Qualcraft® is the only name you'll need to remember for professional roofing tools. Capacity is 1 worker plus 40 lbs. per 8' staging. Maximum 8' spacing between brackets.

Heavy Duty Fixed Roof Brackets ↘

- Commercial grade 11 gauge steel construction
- Heavy duty riveted construction
- Unit has slots for easy installation & removal without damaging the shingles

2503 – for use on 18/12 Fixed Pitch Roofs

2502/2505 – for use only as Slideguard or Material Support on low slope roofs

2501/2504 – for use on 12/12 Fixed Pitch Roofs

PRO-LINE Fixed Roof Brackets ↘

- All welded construction
- Commercial grade 10 gauge steel construction
- Powder coated paint finish
- Reinforced welded gusset
- Rounded corners eliminate shingle damage

3503 – for use on 18/12 Fixed Pitch Roofs

3502/3505 – for use only as Slideguard or Material Support on low slope roofs

3501/3504 – for use on 12/12 Fixed Pitch Roofs



2501 / 2504



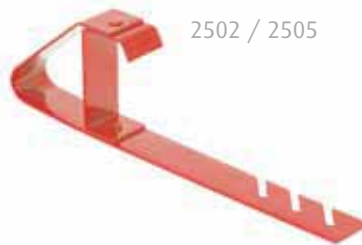
3501 / 3504



2503



3503



2502 / 2505



3502 / 3505

| Part# | Size | Description | Plank | Weight |
|-------|-----------|-----------------------------|--------|--------|
| 2501 | 10" x 45° | HD Fixed Roof Bracket | 2 x 10 | 2.30 |
| 2502 | 6" x 90° | HD Fixed Roof Bracket | 2 x 6 | 2.30 |
| 2503 | 6" x 60° | HD Fixed Roof Bracket | 2 x 6 | 2.30 |
| 2504 | 6" x 45° | HD Fixed Roof Bracket | 2 x 6 | 2.30 |
| 2505 | 4" x 90° | HD Fixed Roof Bracket | 2 x 4 | 2.30 |
| 3501 | 10" x 45° | PRO-LINE Fixed Roof Bracket | 2 x 10 | 3.75 |
| 3502 | 8" x 90° | PRO-LINE Fixed Roof Bracket | 2 x 8 | 3.25 |
| 3503 | 8" x 60° | PRO-LINE Fixed Roof Bracket | 2 x 8 | 3.25 |
| 3504 | 8" x 45° | PRO-LINE Fixed Roof Bracket | 2 x 8 | 3.10 |
| 3505 | 6" x 90° | PRO-LINE Fixed Roof Bracket | 2 x 6 | 2.75 |



SHINGLE SHARK



| Part# | Description | Weight |
|-------|---------------|--------|
| 1000 | Shingle Shark | 38.00 |

- Cuts both asphalt or fiberglass shingles at any angle
- Standard guide plus off-set guide for 18" architectural shingles
- Cold rolled steel construction with powder coated paint finish
- Patented action, no blade to sharpen or replace
- 180° degree capability; easily adjusted
- Self-cleaning arm
- Rubber feet
- Open mesh table
- Mounts on roof 3 different ways:
 - By using a cleat to prevent slippage*
 - By using a piece of 2 x 10 lumber & footing the tool against it*
 - By using a 6" x 90° roof bracket*

Patent No. 6595093 B1

NEW

EZ SHEAR SIDING CUTTER

| Part# | Cut Width | Description |
|-------|-----------|-------------------------------------|
| 113 | 13" | EZ Shear Siding Cutter |
| 113B | 13" | EZ Shear Siding Cutter Blade |
| 113AG | 13" | EZ Shear Siding Cutter Angle Kit |
| 100MK | 13" | EZ Shear Siding Cutter Mounting Kit |
| 709SS | 13" | EZ Shear Siding Cutter Stand |



EZ Shear Siding Cutter (113)



EZ Shear Siding Cutter Angle Kit (113AG)



EZ Shear Mounting Kit (100MK)



Shown 113 & 709SS

What Is EZ Shear? ↘

The EZ Shear gets you the professional results without the professional price. It is great for cutting fiber cement board and vinyl siding as well as laminate and engineered wood flooring. This shear will cut these products up to 13" wide and 5/8" thick.

- Cut width: up to 13"
- Cut depth: up to 5/8"
- 45° angle cut: on 9"
- Weight: 16½ lbs.

Core Benefits ↘

- No set-up or electricity required, works as simply as a paper cutter
- Cut without creating hazardous dust – save time & money on extensive clean-ups
- You achieve a factory-edge cut!
- Work day or night – does not create any noise
- Save 2 hours on an average size installation job because you cut where you work
- Versatile cutting platform
- Lightweight



THE SHINGLE HOG®

| Part# | Size | Description |
|--------|------|--------------------------------------|
| TSH001 | 15" | Shingle Hog Pneumatic Roofing Shovel |

The Shingle Hog® Pneumatic Shovel was designed by a roofer to help all roofers. It greatly reduces the time and physical pain of removing shingles while leaving more energy to put on the new roof. The result is a completed roof project in a shorter period of time and less aches and pains. Thoroughly tested on actual roofing projects, The Shingle Hog® proved to be highly durable.

The Shingle Hog® also reduced the time of tearing off a roof by 70% percent to 90% percent. As a result, a typical three-man crew can be reduced to a two-man crew, resulting in significant savings in wages, benefits and a quick payback. In addition, The Shingle Hog® always shows up for work.

- Height-adjustable handle for improved ergonomics & productivity
- Ergonomically designed activator trigger
- Durable heat-treated steel teeth
- Uniquely designed air exhaust to help keep inside of housing clean
- Uniquely designed bottom plate/wheel combination to reduce friction & increase ease of movement
- Lightweight design for ease of carrying & use
- Operates using standard two horsepower compressor
- Works on nailed & stapled roofs
- Removes one, two or three layer roofs
- Requires little maintenance, but engineered for ease of maintenance when needed



The Shingle Hog® - Savings/Payback Example (Results are based on actual field tests)

| Without The Shingle Hog® | | With The Shingle Hog® | |
|------------------------------|-------------------|---|-------------------|
| Quote per Square | \$250.00 | Quote per Square | \$250.00 |
| Costs | | Costs | |
| Shingles | \$90.00 | Shingles | \$90.00 |
| Disposal | \$8.00 | Disposal | \$8.00 |
| Tear-off Shingles (Labor) | \$40.00 | Tear-off Shingles with Hog 80% Labor Savings | \$8.00 |
| Replace Labor | \$40.00 | Replace with 10% Increased Labor Productivity | \$36.00 |
| Cost Totals | \$178.00 | Cost Totals | \$142.00 |
| Profits | | Profits | |
| Profit per Square | \$72.00 | Profit per Square | \$108.00 |
| Roof Size (squares) | 25 | Roof Size (squares) | 25 |
| Total Profit per Roof | \$1,800.00 | Total Profit per Roof | \$2,700.00 |
| | | Percentage Increased in Profit | 50% |
| | | Additional Dollars of Profit | \$900.00 |

SHINGLE REMOVERS

| Part# | Height | Teeth | Description | Weight |
|-------|--------|-------|------------------------------|--------|
| 2560 | 54" | 10 | Classic Shingle Remover | 7.00 |
| 2561 | 47" | 10 | Classic Shingle Remover | 6.70 |
| 2562 | 38" | 7 | Classic Shingle Remover | 6.34 |
| 2563 | 22½" | 4 | Classic Shingle Remover | 5.00 |
| 2570 | 47½" | | "Strip Fast" Shingle Remover | 5.90 |
| 2571 | 27½" | | "Strip Fast" Shingle Remover | 4.00 |
| 2572 | | | Skid Plate Replacement | 0.30 |
| 2573 | | | Blade Replacement | 1.00 |



Classic Shingle Removers ↘

- Vinyl grip handles
- Ergonomic design
- Lightweight
- Versatile
- Heat tempered work edge
- Rugged steel construction

- 2560 General purpose shingle remover
Pulls up to 16D nails
- 2561 For steeper pitch roofs
- 2562 For steep & hard-to-work areas
- 2563 For flashing, siding & tight areas

"Strip Fast" Shingle Removers (2570 & 2571) ↘

- Ideal tools for removing fiberglass or asphalt roof shingles
- All steel construction guarantees the toughness needed to perform the application
- D-grip handle for extra heavy duty service & comfort
- No heavier than competitive wood or fiberglass handle units
- Both shovels feature replaceable, serrated tempered carbon steel blades [1] & skid plates [2]



roofing tools



GUTTERBRUSH™

What Is GutterBrush™? ↘

GutterBrush™ is a simple “Twisted In Wire” brush, similar to a large heavy-duty bottle brush. Constructed from a galvanized steel core and double UV protected, durable polypropylene bristles.

How Does It Work? ↘

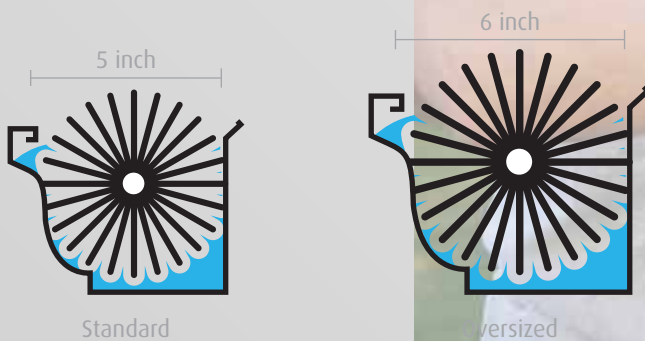
When installed, stiff GutterBrush™ bristles fill the gutter, blocking leaves and debris from entering. The entire gutter remains open, allowing water to flow freely through the brush and drain path.

Core Benefits ↘

- Simple to install & maintain – no tools required
- Affordable solution vs. most alternatives
- Versatile – can be used with almost any roof or gutter type
- Effective barrier to leaves & debris – 360° degree internal protection blocks leaves, branches, nesting birds, rodents & insects
- Made in the U.S.A.
- Lifetime Warranty against material defect or breakdown

What Size Do I Need? ↘

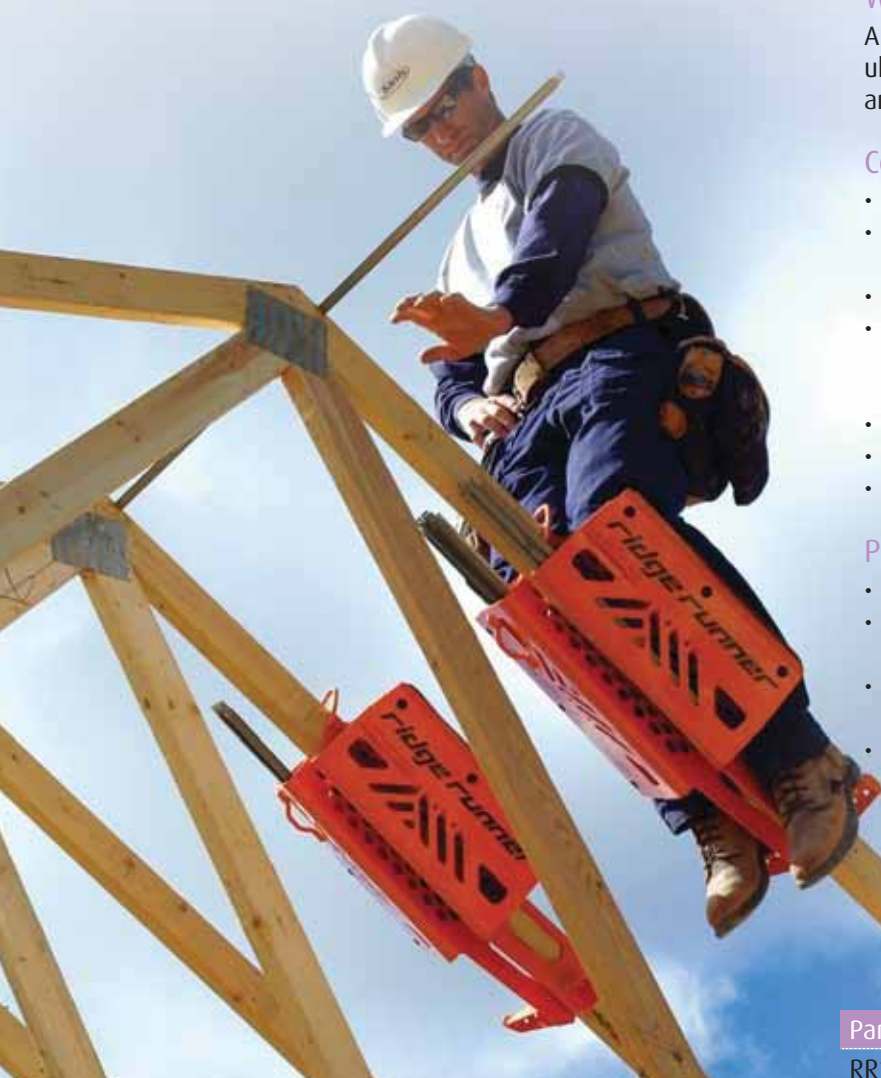
Measure your gutter opening from the back of the gutter to the front lip.



| Part# | Diameter | Description | Gutter | 36" Long | 18" Long |
|----------|----------|-------------------------|-------------|----------|----------|
| 4IN24FT | 3¼" | Small GutterBrush™ | Small | 7 pcs. | 2 pcs. |
| 5IN12FT | 4¼" | Standard GutterBrush™ | Standard | 4 pcs. | |
| 5IN30FT | 4¼" | Standard GutterBrush™ | Standard | 9 pcs. | 2 pcs. |
| 5IN60FT | 4¼" | Standard GutterBrush™ | Standard | 19 pcs. | 2 pcs. |
| 5IN120FT | 4¼" | Standard GutterBrush™ | Standard | 38 pcs. | 4 pcs. |
| 6IN12FT | 5¼" | Oversized GutterBrush™ | Oversized | 4 pcs. | |
| 6IN60FT | 5¼" | Oversized GutterBrush™ | Oversized | 19 pcs. | 2 pcs. |
| 7IN45FT | 6½" | Super GutterBrush™ | Extra Large | 14 pcs. | 2 pcs. |
| 8IN36FT | 8" | Industrial GutterBrush™ | Industrial | 11 pcs. | 2 pcs. |



RIDGE RUNNER™



What Is Ridge Runner™? ↘

A creation of Long View Enterprises, the Ridge Runner is the ultimate tool in truss setting equipment for both residential and commercial applications.

Core Benefits ↘

- Provides maximum safety
- Unique truss setting position increases efficiency by 40% over traditional truss setting
- Helps with tight budgets & tight time lines
- Comfortable, weather-resistant knee pads provide ideal posture support which helps in reducing fatigue when working for long periods of time
- Easy to install & store
- Stable
- Hands-free

Product Specifications ↘

- Durable, powder coated aluminum
- Thick black foam brace lining provides comfortable padding for knees & legs and stays dry during use
- Stores up to 160' of metal truss spacers/metal lateral restraint & offers hooks for safely hanging work tools
- Size: 15 3/4" x 29"

| Part# | Description | Weight |
|---------|-------------------------------------|--------|
| RR15SET | Ridge Runner™ Truss Setter (1 pair) | 14.00 |

Meeting OSHA Regulations ↘

The Ridge Runner™ has been designed to support a 250-pound man load. Testing was undertaken at the SBC Research Institute where a total of more than 1,000 pounds of load was applied without failure resulting in a safety factor of more than four.

The Ridge Runner™ meets the following safety guidelines for working on peaks and ridge beams:

OSHA Directives, STD 3-0.1A-Plain Language Revision OSHA Instruction STD 3.1, Interim Fall Protection Compliance Guidelines for Residential Construction. Workers at the peak, in the web of trusses, or on top of the ridge beam, shall work from a stable position. They must either sit on a ridge seat (or the equivalent) or position themselves in previously stabilized trusses or rafters and lean into, and reach through, the trusses or rafters.



FLEXASTEP® PRODUCTS



FLEXASTEP® products:

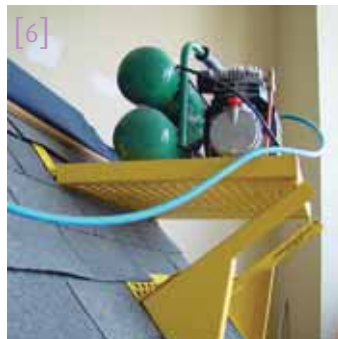
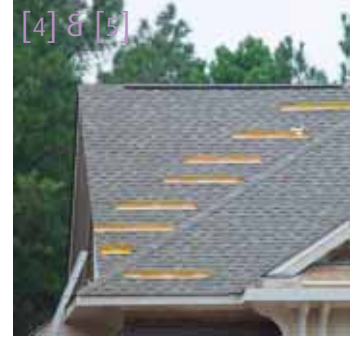
- [1] FLEXASTEP® ULTRA Roll-up Ladder
- [2] FLEXASTEP® PRO 26
- [3] FLEXASTEP® PRO 34
- [4] FLEXASTEP® PRO 50
- [5] FLEXASTEP® PRO 18
- [6] FLEXASTEP® 2026
- [7] Ladder Lock & Level

| Part# | Size | Description | Pack |
|-------|------|---------------------------------------|------|
| 3510 | 18 | FLEXASTEP® PRO | 1 |
| 3511 | 26 | FLEXASTEP® PRO | 1 |
| 3512 | 34 | FLEXASTEP® PRO | 1 |
| 3513 | 50 | FLEXASTEP® PRO | 1 |
| 3514 | | FLEXASTEP® 2026 Adjustable Platform | 1 |
| 3515 | | FLEXASTEP® Brackets for 2026 Platform | 1 |
| 3516 | 26" | FLEXASTEP® PRO Roof Anchors | 1 |
| 3517 | | FLEXASTEP® Ladder Lock | 1 |
| 3518 | 14" | FLEXASTEP® ULTRA Roll-up Ladder | 1 |
| 3519 | 18" | FLEXASTEP® ULTRA Roll-up Ladder | 1 |
| 3520 | 14" | FLEXASTEP® ULTRA Step – Replacement | 1 |
| 3521 | 14" | Roll-up Ladder Fabric – Replacement | 1 |
| 3522 | 18" | FLEXASTEP® ULTRA Step – Replacement | 1 |
| 3523 | 18" | Roll-up Ladder Fabric – Replacement | 1 |
| 3524 | | Roll-up Ladder Straps | 1 |

The FLEXASTEP® line of innovative products have been designed to make rooftop work safer and are the ultimate in roof access equipment. In addition to safety the multi-purpose product line offers several additional uses to secure tools, materials and equipment that no other safety products can offer.

FLEXASTEP® product line is offered in several sizes and uses (see our web site www.qualcraft.com for various applications) from Roll-up ladders, adjustable platforms, slide guards and Ladder locks.

FIELD OF APPLICATIONS



* Please correspond with numbers on page 64.

BUCKET OF SAFE-TIE KIT

Bucket of Safe-Tie Kit ↘

Includes:

- HUV Universal Harness (01101)
- 25' or 50' Vertical Lifeline Assembly with:
 - Shock Pack*
 - Positioning Device*
 - 18" Extension Lanyard*
- Your choice of anchors:
 - 5 Snappy Disposable Anchors (00710)*
 - 2 Stainless Steel Reusable Anchors (00470)*
 - 1 HD Temper Reusable Anchor (00455)*
 - 1 SP-Anchor (00460)*



| Part# | Description | Weight |
|-----------|---|--------|
| 00800 | HUV (01101), 5 Snappy Anchors (00710) & VLA-25' (01310) | 13.20 |
| 00803 | HUV (01101), 1 SP-Anchor (00460) & VLA-25' (01310) | 13.50 |
| 00805 | HUV (01101), 1 Temper Reusable (00455) & VLA-25' (01310) | 12.60 |
| 00805-QC | HUV (01101), 1 Temper Reusable (00455) & VLA-25' (01310) | 12.60 |
| 00810 | HUV (01101), 5 Snappy Anchors (00710) & VLA-50' (01320) | 15.30 |
| 00813 | HUV (01101), 1 SP-Anchor (00460) & VLA-50' (01320) | 15.15 |
| 00815 | HUV (01101), 1 Temper Reusable (00455) & VLA-50' (01320) | 17.30 |
| 00815-QC5 | HUV (01101), 1 Temper Reusable (00455) & VLA-50' (01320) | 17.30 |
| 00830 | HUV (01101), 2 Stainless Steel Reusable (00470) & VLA-25' (01310) | 10.70 |
| 00840 | HUV (01101), 2 Stainless Steel Reusable (00470) & VLA-50' (01320) | 12.95 |

BUCKET OF SAFE-TIE COMPONENTS



[1] Universal Harness (01101) ↘

- 5 points of adjustment
- Sizing adjusts from S to L
- Impact indicator
- Adjustable D-ring attachment
- Polyester webbing

[2] Snappy Anchor (00710) ↘

- Convenient & disposable
- Installed with nails
- Fits any pitch
- Fasteners provided

[3] Reusable Anchor (00470) ↘

- Durable stainless steel
- For wood rooftops
- Easy installation
- Fits any roof pitch
- Fasteners provided

[4] Temper Anchor (00455) ↘

- Temporary & reusable
- Installed w/ screws or nails
- Fits up to 12/12 roof pitch
- Durable steel construction

[5] SP-Anchor (00460) ↘

- Durable galvanized steel
- Disposable
- Installed with screws or nails
- Fits any pitch
- Fasteners provided

[6] Vertical lifeline ↘

- Heavy-duty safety rope
- 5/8" steel polyolefin
- Resists cuts & abrasions
- Includes Shock Pack
- Attached 18" lanyard

GUARDIAN KITS

| Part# | Name | Description | Weight |
|-------|--------------------|---|--------|
| 00720 | Sack of Safety | S - L HUV (01101), (3) Snappy Anchors (00710), VLA-25' (01310) & SOS Backpack | 11.40 |
| 00725 | Sack of Safety | S - L HUV (01101), Temper Anchor (00455), VLA-25' (01310) & SOS Backpack | 10.80 |
| 00730 | Sack of Safety | S - L HUV (01101), (3) Snappy Anchors (00710) VLA-50' (01320) & SOS Backpack | 15.00 |
| 00735 | Sack of Safety | S - L HUV (01101), Temper Anchor (00455), VLA-50' (01320) & SOS Backpack | 14.40 |
| 00740 | Sack of Safety | S - L HUV (01101), Ridge-It 2 Anchor (00510), VLA-25' (01310) & SOS Backpack | 8.90 |
| 00745 | Sack of Safety | S - L HUV (01101), Ridge-It 2 Anchor (00510), VLA-50' (01320) & SOS Backpack | 12.50 |
| 00870 | Li'L B of Safe-Tie | Bucket, S - L HUV (01101), 6' Single Leg Lanyard (01220) & Nylon Bag (00765) | 5.35 |
| 00875 | Li'L B of Safe-Tie | Bucket, XL HUV (01105), 6' Single Leg Lanyard (01220) & Nylon Bag (00765) | 6.00 |



Sack of Safety ↘

Includes:

- [1] HUV Universal Harness (01101)
- [2] 25' (01310) or 50' (01320) VLA
- [3] SOS Backpack

Truss Anchor options are available:

- [4] Temper Anchor (00455)
- [5] Snappy Anchor (00710)
- [6] Ridge-It 2 D-Ring Anchor (00510)

Li'L B of Safe-Tie ↘

Includes:

- [1] HUV Universal Harness (01101)
- [7] 6' Single Leg Lanyard (01220)
- [8] Nylon Sport Bag (00765)
- [9] 1 Gallon Bucket



ECO HORIZONTAL LIFELINE KITS

[1]



04639

[2]



30800

[3]



30801

| Part# | Size | Description |
|-------|------|--|
| 04633 | | Kit includes: 2-Person 60' Kernmantle HLL System (04639) & (2) EcoAnchors (30801) |
| 04634 | | Kit includes: 4-Person 82' Fiber HLL System (30800) & (2) EcoAnchors (30801) |
| 04639 | 60' | 2-Person Kernmantle HLL Kit: Tensioner / Shock Pack / 2 O-rings / 2 Cross Arm Straps / 2 Carabiners / Ultra Sack |
| 30800 | 82' | 4-Person Fiber Rope HLL Kit: Tensioner / 2 Carabiners / Storage Bag |
| 30801 | | EcoAnchor |

2-Person Eco HLL Kit (04633) ▾

Includes:

- [1] 60' Kernmantle HLL System (04639)
- [3] (2) EcoAnchors (30801)

4-Person Eco HLL Kit (04634) ▾

Includes:

- [2] 4-Person 82' Fiber HLL System (30800)*
- [3] (2) EcoAnchors (30801)

* Note: When used in conjunction with EcoAnchor or any other dead-weight anchor, only two workers may be on HLL.



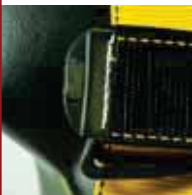
VELOCITY SERIES HARNESSSES



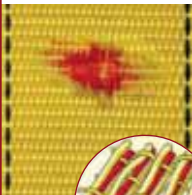
1 Break-Away Lanyard Keepers
Lanyard keepers reduce the risk of dragging and snagging lanyards. The keeper is on the chest to make the lanyard end more accessible.



2 Identification
Now your employees can personalize their harnesses without jeopardizing the integrity of the webbing.



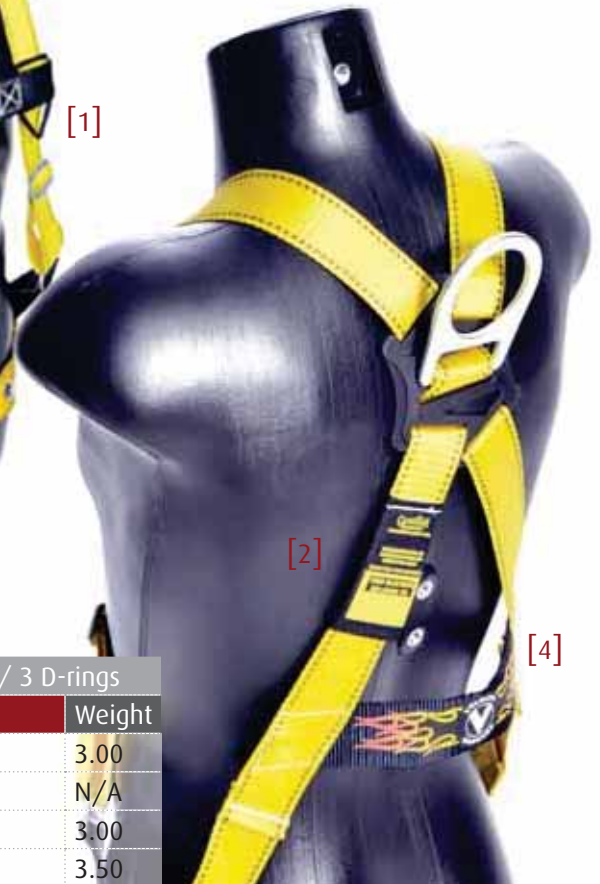
3 Finished Webbing Ends
Keeps the webbing ends from fraying or getting damaged as well as providing a clean and professional look.



4 Webbing Wear Indicator
Unique red webbing core provides a visual warning to the user that the webbing has been damaged and should be taken out of service.



[1]



[2]

[4]

| Size | Chest | Legs | Velocity HUV | | Velocity w/ 3 D-rings | |
|----------|-----------|---------------|--------------|--------|-----------------------|--------|
| | | | Part# | Weight | Part# | Weight |
| S - L | Pass-Thru | Pass-Thru | 01700 | 2.75 | 01702 | 3.00 |
| XL - 2XL | Pass-Thru | Pass-Thru | 01701 | 3.00 | N/A | N/A |
| S - L | Pass-Thru | Tongue Buckle | 01703 | 2.75 | 01705 | 3.00 |
| XL - 2XL | Pass-Thru | Tongue Buckle | 01704 | 3.00 | 01706 | 3.50 |

Your employees and customers will appreciate this higher quality economy harness for an incredible value. While other manufacturers look to cut costs by cheapening up their lower end products, Guardian Fall Protection proves that we will not sacrifice quality or the protection of your employees to save a few nickels and dimes.

The new Velocity Harness by Guardian Fall Protection brings the best economy harness to the market. Our engineers revamped the tired old basic harness into a higher quality product that your employees and customers will enjoy.

Dual Lanyard Keepers: Other manufacturers provide only one or none on their economy harness.

Identification: Now your employees can personalize their harnesses without jeopardizing the integrity of the webbing.

Finished Webbing Ends: Keeps the webbing ends from getting damaged as well as providing a clean and professional look.

Webbing Wear Indicator: The only economy harness on the market that provides a visual warning to the user and safety director that the webbing has been damaged and should be taken out of service.



SERAPH SERIES HARNESSSES

| Size | Part# | Weight | Part# | Weight |
|----------|-------------------------|--------|---------------------------------|--------|
| | Seraph HUV Harness | | Seraph HUV w/ Side D-rings | |
| M - L | 11160 | 3.10 | 11161 | 3.30 |
| XL - 2XL | 11162 | 3.70 | 11163 | 3.90 |
| | Seraph HUV with TB Legs | | HUV with TB Legs & Side D-rings | |
| M - L | 11164 | 3.50 | 11165 | 3.70 |
| XL - 2XL | 11166 | 4.10 | 11167 | 4.30 |
| | Seraph Construction | | Construction with Side D-rings | |
| M - L | 11170 | 4.80 | 11173 | 5.00 |
| XL - 2XL | 11172 | 5.40 | 11171 | 5.60 |

Seraph Universal Harness ▾

- Five points of adjustment
- Adjustable dorsal D-ring
- Impact indicator & inspection log tag
- Snap-on back pad
- Stretch ability in the shoulders & back
- "Quick-Adjust" friction torso buckles
- Lanyard keepers
- Web keepers
- Optional front & side positioning D-rings

Seraph Construction Harness ▾

- Six points of adjustment
- Adjustable dorsal D-ring
- Impact indicator & inspection log tag
- Snap-on back pad
- Stretch ability in the shoulders & back
- "Quick-Adjust" friction torso buckles
- Web keepers
- Optional front & side positioning D-rings
- Padded waist belt
- Hammer loops
- Tongue buckle leg straps
- Cradle seat





full body harnesses



CYCLONE HUV HARNESS

Designed with the unique X-back which leaves the harness straps tangle free. An ideal combination for fall arrest, work positioning, rescue and rope access applications.

Identification: Now your employees can personalize their harnesses without jeopardizing the integrity of the webbing.

Adaptability: Fully adjustable shoulder, chest strap & leg straps.

Convenience: Shoulder and leg straps have combination buckles for easy adjustment. Web keepers on shoulder straps for easy placement of free lanyards.

Ergonomics: Specially cushioned mesh net has been used for better shock absorption and comfort of the user. Ideally positioned sub-pelvic strap for extended comfort.



1 **Stitching Pattern**
Unique aesthetic stitch pattern for enhanced stitching strength with smart styling.



2 **Combination Buckle**
A unique pull-up grip allows the shoulder adjustment to tighten and loosen with one hand.



3 **Identification**
Now your employees can personalize their harnesses without jeopardizing the integrity of the webbing.



| Size | Chest | Legs | Cyclone HUV | | HUV w/ Side D-rings | | Cyclone Construction Harness | | |
|-------|---------------|---------------|-------------|--------|---------------------|--------|------------------------------|---------------|--------|
| | | | Part# | Weight | Part# | Weight | Part# | Waist | Weight |
| S | Pass-Thru | Tongue Buckle | 21052 | 8.00 | | | 21064 | Tongue Buckle | 9.50 |
| M - L | Pass-Thru | Tongue Buckle | 21053 | 8.50 | 21077 | 9.00 | 21065 | Tongue Buckle | 10.00 |
| XL | Pass-Thru | Tongue Buckle | 21054 | 9.00 | 21078 | 9.50 | 21066 | Tongue Buckle | 10.50 |
| 2XL | Pass-Thru | Tongue Buckle | 21055 | 9.50 | | | 21067 | Tongue Buckle | 11.00 |
| S | Quick-Connect | Quick-Connect | 21045 | 8.00 | | | 21033 | Tongue Buckle | 9.50 |
| M - L | Quick-Connect | Quick-Connect | 21046 | 8.50 | 21081 | 9.00 | 21034 | Tongue Buckle | 10.00 |
| XL | Quick-Connect | Quick-Connect | 21047 | 9.00 | | | 21035 | Tongue Buckle | 10.50 |
| 2XL | Quick-Connect | Quick-Connect | 21048 | 9.50 | | | 21036 | Tongue Buckle | 11.00 |
| S | Quick-Connect | Tongue Buckle | 21041 | 8.00 | | | 21029 | Tongue Buckle | 9.50 |
| M - L | Quick-Connect | Tongue Buckle | 21042 | 8.50 | | | 21030 | Tongue Buckle | 10.00 |
| XL | Quick-Connect | Tongue Buckle | 21043 | 9.00 | | | 21031 | Tongue Buckle | 10.50 |
| 2XL | Quick-Connect | Tongue Buckle | 21044 | 9.50 | | | 21032 | Tongue Buckle | 11.00 |

full body harnesses

CYCLONE

NEW

CYCLONE CONSTRUCTION HARNESS



* Bags sold separately (page 105).

** Refer to page 72 for part numbers.

The new Cyclone Construction harness is part of many new additions to our product offering. The overall comfort and styling of this harness is far superior than many other harnesses on the market. Match the quality with the pricing, and the everyday contractor can afford a high end harness that does not require an advanced degree to simply perform inspection.

Our design engineers took what makes a harness simple and made slight improvements so that you can work more comfortably and with added versatility without breaking the bank.

Ed Marquardt, President of Guardian Fall Protection, says: "We were after developing a great product that is safe and that is affordable for the everyday contractor... The Cyclone Series will deliver guaranteed satisfaction."

- Ultra-Flow padding helps to keep sweat away from the body
- Double grommeted tool belt for ultimate support
- Velcro waist belt for added support & custom fit
- Multiple buckle configurations are available
- Optional affordable & durable work bags
- Finished ends for a clean & professional look



CONSTRUCTION TUX™ HARNESSSES

| Construction Tux™ Vest Harnesses | | | | | | | | | | |
|----------------------------------|------------|--------|----------------|--------|------------|--------|-----------|--------|----------------|--------|
| Size | Hi-Viz | Weight | Fire Retardant | Weight | Surveyor's | Weight | Flotation | Weight | Blue Duck Flex | Weight |
| S | 02105 | 3.80 | 02500 | 3.10 | 02705 | 3.80 | N/A | N/A | 12305 | 2.80 |
| M | 02115 | 3.90 | 02510 | 3.20 | 02715 | 3.90 | 02810 | 6.00 | 12315 | 2.90 |
| L | 02125 | 4.00 | 02520 | 3.30 | 02725 | 4.00 | 02820 | 6.10 | 12325 | 3.00 |
| XL | 02135 | 4.10 | 02530 | 3.40 | 02735 | 4.10 | 02830 | 6.20 | 12335 | 3.10 |
| 2XL | 02145 | 4.20 | 02540 | 3.50 | 02745 | 4.20 | N/A | N/A | 12345 | 3.20 |
| Mesh Tux™ | | | | | | | | | | |
| Size | Orange | Green | Black | Red | Weight | | | | | |
| S | 02100 | 02200 | 02600 | 02700 | 3.00 | | | | | |
| M | 02110 | 02210 | 02610 | 02710 | 3.10 | | | | | |
| L | 02120 | 02220 | 02620 | 02720 | 3.20 | | | | | |
| XL | 02130 | 02230 | 02630 | 02730 | 3.30 | | | | | |
| 2XL | 02140 | 02240 | 02640 | 02740 | 3.40 | | | | | |
| Duck Tux™ | | | | | | | | | | |
| Size | Brown | Blue | Black | Camo | Weight | | | | | |
| S | 02205 | 02305 | 02405 | N/A | 3.80 | | | | | |
| M | 02215 | 02315 | 02415 | 03010 | 3.90 | | | | | |
| L | 02225 | 02325 | 02425 | 03020 | 4.00 | | | | | |
| XL | 02235 | 02335 | 02435 | 03030 | 4.10 | | | | | |
| 2XL | 02245 | 02345 | 02445 | 03040 | 4.20 | | | | | |
| Fleece Zip-in Liners | | | | | | | | | | |
| Size | Sleeveless | Weight | Long Sleeves | Weight | | | | | | |
| M | 02010 | 2.00 | 02015 | 3.90 | | | | | | |
| L | 02020 | 2.10 | 02025 | 4.00 | | | | | | |
| XL | 02030 | 2.20 | 02035 | 4.10 | | | | | | |
| 2XL | 02040 | 2.30 | 02045 | 4.20 | | | | | | |

Orange Mesh Tux™

Hi-Viz Tux™ Harness ↘

- Class II Hi-Visibility material
- Coated polyester material to resist fading from UV Rays
- Meets standards for ANSI/ISEA 107-2004 for roadside work
- Eliminates the hassle of wearing standard body harnesses over reflective garments
- Also available with zip on/off long sleeves

Fire Retardant Tux™ Harness ↘

- 100% cotton flame resistant Banox FR3 material
- Meets standards for OSHA regulation 29, ASTM 1506, NFPA 70E & 701
- Nomex Kevlar blend webbing
- Dielectric D-ring & powder-coated buckles

Surveyor's Tux™ Harness ↘

- Class II Hi-Visibility material
- Coated polyester material to resist fading from UV Rays
- Meets standards for ANSI/ISEA 107-2004 roadside work vest
- Includes a variety of pockets for radio, maps, cell phone, etc.

Flotation Tux™ Harness ↘

- Class II Hi-Visibility material
- Coated polyester material to resist fading from UV Rays
- Meets standards for ANSI/ISEA 107-2004 roadside work vest
- PFD automatically inflates within 5 seconds of immersion
- Can also be manually inflated with a pull cord
- Type II performance inflatable mechanism with CO₂ cartridge

full body harnesses



Hi-Viz Tux™



Green Mesh Tux™



FR Tux™



Fleece Zip-in Liner



Surveyor's Tux™



Flotation Tux™



Blue Duck Flex Tux™



Camo Tux™

Mesh Tux™ & Duck Tux™ Harnesses ↘

- No-tangle body wear system
- Leg straps zip into the back of the harness for storage
- Include dorsal & side positioning D-rings
- Impact indicator
- Notched pass-thru chest & leg buckles
- Made with reflective strips down the front for visibility
- Mesh Tuxes™ are made with comfortable & breathable mesh
- Duck Tuxes™ are made with durable cotton duck material
- Durable zipper
- Washable materials
- Available with shoulder D-rings for rescue & retrieval
- Available with custom embroidered or screened logos
- Available with our butterfly chest D-ring (02000)

Blue Duck Flex Tux™ Harness ↘

- Two lightweight flexible action panels provide increased mobility across the back
- Internal harness stretches with worker's movement
- Velcro pocket for cell phone
- Durable cotton duck material
- Made with a mesh or fleece lining



* Specific part numbers must be ordered.



NEW ANSI COMPLIANT LANYARDS



- **3.1.8.1** 6 ft. free fall personal energy absorbers and energy absorbing lanyards when tested in accordance with 4.4 and 4.5 shall have an average arrest force no greater than 900 pounds and a maximum deployment distance of 48 inches without exceeding 1,800 pounds maximum arrest force.





SHOCK ABSORBING LANYARDS

| 3' | 4' | 6' | Description |
|-------|-------|-------|---|
| 01214 | 01215 | 01220 | Shock Absorbing Lanyard – Single Leg w/ Snap Hooks |
| | 01217 | 01230 | Shock Absorbing Lanyard – Double Leg w/ High Strength Snap Hooks |
| | 01218 | 01231 | Shock Absorbing Lanyard – Double Leg w/ High Strength Steel Rebar Hooks & Steel Snap Hook |
| | | 21214 | Shock Absorbing Lanyard – Double Leg w/ High Strength Aluminum Rebar Hooks & Snap Hook |
| | | 01221 | Shock Absorbing Lanyard – Single Leg w/ Rebar Hook |



01220



01217



21214



01231

Shock Absorbing Lanyards ↘

Meeting the stringent requirements of the ANSI .13 standard, Guardian's shock absorbing lanyards limit the average arresting forces to 900 lb. or less. With 1 inch nylon webbing, and a variety of hook options, Guardian's ANSI and OSHA compliant lanyards are a valued selection of any personal fall arresting system.

- 1" Nylon Webbing
- Clear shock absorbing pack for easy inspection
- Always ANSI compliant 3,600 lb. Steel Rebar Snap hooks, Aluminum Rebar Snap hooks, Standard Steel Snap hooks or Standard Aluminum Snap hooks
- 100% of the lanyards meet the ANSI .13 requirements

EDGE SERIES MK SRL'S



1 Brake Pawls

The bolts for the MK SRL's pawls are heat treated grade 8 bolts. These bolts are 5 times stronger than stainless steel and are specifically engineered to absorb energy resulting from a fall.



2 Brake Ring

The brake ring is comprised of 100% brass making for an optimum energy absorbing system when engaging our stainless steel brake ring holder. We call this the T-LoK® combination.



3 Ergonomic Handle

The ergonomic handle is designed for comfort and provides the user with the ability to carry the retractable easily.



| 50' | 65' | Description |
|-------|-------|--|
| 10917 | 10918 | 3/16" MK Galvanized Cable SRL w/ Swivel Top & High Strength Snap Hook |
| 10937 | 10938 | 3/16" MK Stainless Steel Cable SRL w/ Swivel Top & High Strength Snap Hook |

Edge Series MK Self-Retracting Lifeline ↘

- Stainless steel & aluminum components
- Dual braking mechanism
- Limited nuisance lock up
- Lighter than most competitive models
- Dual-swivel design
- Simple design allows for quick inspection & turn around
- Includes:

Steel twist-lock carabiner

Tag line

Swivel top

High strength indicating swivel snap hook

Snap & Rebar Hooks ↘

All of our hooks are made with the finest quality materials and workmanship.

- Easy to use one-hand operation
- Securely attach lanyards or SRL's to anchorages
- Offer maximum strength of 5,000 lb.

EDGE SERIES SRL's



[1] 11' Web Self-Retracting Lifelines ↘

- Ergonomic frame makes handling more comfortable
- Durable aluminum housing
- Dependable performance
- Stainless steel & non-corrosive components
- New Technora webbing features a Kevlar core
- Quick-action braking system
- Cost effective & priced competitively
- Meets or exceeds all OSHA & ANSI standards
- Can be ordered with rebar hook
- No recertification required: considered a disposable unit

[2] & [3] 20'/25'/30' Web & Cable SRL's ↘

- Compact & lightweight design
- Durable aluminum housing
- Stainless steel & non-corrosive components
- Webbing: nylon
- Cable: 3/16" galvanized cable
- Quick-action braking system
- Cost effective & priced competitively
- Meets or exceeds all OSHA & ANSI standards
- Can be ordered with rebar hook
- Comes with swivel top, carabiner & tag line

[4] G-Link Connector Bracket (11001) ↘

- Constructed of stainless steel & aluminum
- Designed to integrate two (2) SRL's into a single unit
- Easy retractable replacement
- Lightweight system
- Simple design
- Attaches to dorsal D-ring on harness
- Provides 100% tie-off
- Cost-effective

1" Nylon Webbing with Snap Hook & Tag Line

| 6' | 11' | 20' | 25' | 30' | Description |
|-------|-------|----------|----------|----------|--|
| | 10900 | | | | 1" Technora Webbing w/ Carabiner, Swivel Top & Snap Hook |
| | 10901 | | | | 1" Technora Webbing w/ Carabiner, Swivel Top & Rebar Hook |
| | | 10909 | | | 1" Technora Webbing w/ Carabiner, Swivel Top, Snap Hook & Tag Line |
| | | 10910 | 10912 | 10915 | 3/16" Galvanized Cable w/ Carabiner, Swivel Top, Snap Hook & Tag Line |
| | | 10910-AR | 10912-AR | 10915-AR | 3/16" Galv. Cable w/ Carabiner, Swivel Top, HS Aluminum RH & Tag Line |
| | | 10930 | 10932 | 10935 | 3/16" Stainless Steel Cable w/ Carabiner, Swivel Top, Snap Hook & Tag Line |
| 10993 | 10994 | | | | G-Link Dual Retractable System with Aluminum Snap Hooks |
| 10996 | 10995 | | | | G-Link Dual Retractable System with Steel Rebar Hooks |
| 10998 | 10997 | | | | G-Link Dual Retractable System with Aluminum Rebar Hooks |

EDGE SERIES HEAVY DUTY SRL'S

| 20' | 25' | 30' | 50' | 65' | Description |
|-------|-------|-------|-------|-------|--|
| 10908 | | | | | 1" Technora Webbing w/ Carabiner, Swivel Top & Boot Cover |
| 10911 | 10913 | 10916 | | | 3/16" Galvanized Cable w/ Swivel Top, Swivel Snap Hook & Boot Cover |
| 10921 | 10923 | 10926 | | | Heavy Duty 3/16" Galvanized Cable w/ Swivel Top, Snap Hook & Boot Cover |
| 10931 | 10933 | 10936 | | | 3/16" Stainless Steel Cable w/ Swivel Top, Swivel Snap Hook & Boot Cover |
| 10920 | 10922 | 10925 | 10927 | 10928 | Heavy Duty SRL w/ HD Shock Pack & Removable Shock Pack Protective Cover |

Retractable Protective Boot Cover ↘

- Made of lightweight pliable neoprene
- Helps to prolong the life of your product
- Helps to protect the braking mechanisms when retractables are dropped or tossed onto the ground
- Fasteners & adhesive tape helps keep the protective boot in place in harsh & abusive environments
- Protective label cover helps maintain compliance with the ANSI labeling requirements
- Fits Guardian Edge Series Cable or Web 20'/25'/30' SRL's
- Must be ordered & installed prior to shipment. Cannot be added in the field



Boot Cover

Heavy Duty Edge Series SRL's ↘

The Guardian HD Retractable is designed to be used specifically for Leading Edge work. With an integrated shock pack attached to the cable lifeline, the retractable will keep the arresting forces below 900 lb. while at the same time reducing the amount of impact forces on the cable lifeline itself. The ideal position of a retractable, when used as a part of a PFAS, is directly overhead. Often, contractors will place a retractable on the deck and use it at foot level. Almost all retractables on the market are not allowed to be used in this manner if the worker is exposed to a leading edge hazard.

The integrated shock pack will help to reduce the impact forces of the cable as it comes into contact with the leading edge.



Heavy Duty SRL

Heavy Duty SRL with Boot Cover

* COMING SOON *

NEW

NEW YELLOW JACKET CABLE SRL



1 High Strength

The proprietary ABS housing is supported by an inside steel brace which increases the overall durability of this lightweight retractable.



2 Advanced Technology

The interior brake body is specifically designed to reduce the amount of debris that enters the braking mechanism. The partially sealed brake body helps protect the deceleration components.



3 Lightweight

The Yellow Jacket retractable has been machined and fabricated specifically to reduce the weight of the retractable. The Yellow Jacket retractable is small and compact making it easier to handle.

| Part# | Size | Description |
|-------|------|---|
| 10946 | 10' | Heavy Duty Yellow Jacket Cable SRL w/ Shock Pack |
| 10950 | 10' | Yellow Jacket Cable SRL w/ High Strength Swivel Snap Hook |
| 10952 | 10' | Yellow Jacket Cable SRL w/ Aluminum Rebar Hook |
| 10956 | 10' | Yellow Jacket Cable SRL w/ High Strength Non-Indicating Snap Hook |
| 10957 | 10' | Yellow Jacket Cable SRL w/ High Strength Indicating Snap Hook |

- Compact & lightweight design
- Durable ABS reinforced housing
- High strength composite cable guide
- Stainless steel & non-corrosive components
- Quick-action braking system
- Cost effective & priced competitively
- Meets or exceeds all OSHA & ANSI standards
- Comes with swivel top & carabiner
- Can be ordered with rebar hook
- Retractable is fully repairable

DAYTONA BIG BLOCK SRL



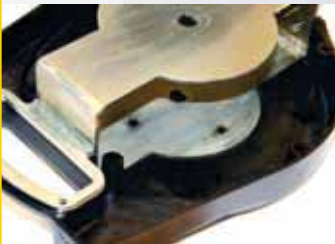
1 Quality

The internal components of this retractable lifeline are comprised of high-end materials. The special coated brake pawl bolts are heat treated, grade 8 and impervious to salt water contamination.



2 Value

Other retractables of this quality are priced at least 20% higher than ours. Guardian's Daytona Big Block brings our distributors and end users a better value than the competition, yet the quality is high-end.



3 Durability

The proprietary ABS housing is reinforced with an inner brace. Internal components are made of aluminum, treated steel, and stainless steel parts. Critical parts are machined and void of any plastic components.



| 50' | 65' | Description |
|-------|-------|---|
| 10968 | 10967 | Daytona Big Block SRL w/ Nylon Housing & Shock Pack |
| 10979 | 10980 | Daytona Big Block SRL w/ Nylon Housing, SS Cable & Shock Pack |

- Priced 20% less than like-in-kind units
- Lightweight & easy to carry
- High strength composite cable guide
- Stainless steel & non-corrosive components
- Quick-action braking system
- Reinforced nylon housing
- Meets or exceeds all OSHA & ANSI standards
- Comes with swivel top, shock pack for leading edge use, carabiner & tag line
- Can be ordered with rebar hook
- Reflective 3M stickers for easy recognition

AARDVARK SERIES CABLE SRL'S

| 16' | 20' | 25' | 50' | 80' | Description |
|-------|-------|-------|-------|-------|--|
| 10989 | 10984 | 10985 | 10987 | 11009 | Galvanized Cable SRL w/ Swivel Top, Swivel Snap Hook & Carabiner |

NOW AVAILABLE IN 80 FEET
*** BEST VALUE AWARD WINNER ***



1 Spring Loaded Absorber
 The spring loaded absorber limits the redundant locking up of the retractable that can create costly repairs and frustrated employees. This added flexibility makes the retractable easier to use.



2 Steel Framed Housing
 The steel plate insert molded into the ultra lightweight housing provides added strength and durability to the retractable. This superior, advanced manufacturing process is cost effective, yet delivers the dependability you require.



3 Triple Locking Device
 Our new pawl design creates a backup safety feature so that the retractable will lock up well within ANSI guidelines. The combination of the brass pawls and unique braking mechanisms create an energy absorbing system designed to limit fall arrest forces.

The Aardvark retractable series has been a very popular product line for Guardian. The Aardvark is durable, resilient, and able to handle those tough jobs that other, more expensive retractables just can't. The Aardvark line has now been expanded to include up to an 80' unit. The pricing is exceptional and we will offer a 10% discount guarantee if anyone can match this price from the factory.

- Lightweight
- Durable housing
- Swivel top
- Incorporates RFID Technology
- Cable grip
- Anti-nuisance lock-up feature





HAMMER MOBILE OPTIONS

| Part# | Description | Weight |
|-------|---------------------------------------|--------|
| 14001 | Mini-Hammer Mobile Fall Arrest System | 725.00 |
| 14002 | Dolly/Mini-Hammer Transporter | 32.00 |

HAMMER MOBILE FALL ARREST

*** COMING SOON ***



14001



14002

Mini-Hammer Mobile Fall Arrest System (14001) ↘

The new Guardian Mini-Hammer is a great addition to meet your fall protection needs. This system is easy to transport with removable counterweights and an attachment point for our dolly. The system is designed for one worker in fall arrest. Coming soon is the ability to connect multiple units with a rope horizontal lifeline for added mobility for workers as well as guardrail attachments.

Take advantage of our Mini-Hammer rental program when considering your fall protection needs. Guardian rents specific fall protection systems throughout the U.S. via our distribution network and regional warehouses.

Dolly/Mini-Hammer Transporter (14002) ↘

The new Guardrail Multi-Direction Base Plate/Mini-Hammer Dolly has a dual purpose for those working on a commercial roof. If you need to position your new Guardian Multi-Directional Base Plates, then the new dolly is ideal for proper placement of bases and less stress on your back. This device can also be used to maneuver the Mini-Hammer (see above).

* BEST VALUE AWARD *

RESIDENTIAL ANCHOR POINTS

| Part# | Length | Description | Application | Weight |
|-------|----------------------------------|---|-------------|--------|
| 00500 | 9 ³ / ₄ " | Ridge-It Anchor – 1 D-ring | Wood | 0.80 |
| 00510 | 17 ⁵ / ₈ " | Ridge-It Anchor – 2 D-rings | Wood | 1.10 |
| 00511 | 18" | Ridge-It SAFU Anchor – 2 D-rings | Wood | 1.10 |
| 00515 | 18" | Ridge-It Tile Anchor – 1 D-ring | Wood | 1.30 |
| 00710 | | Snappy Disposable Anchor – Carton of 25 | Wood | 25.00 |
| 00711 | | Snappy Disposable Anchor – Carton of 8 | Wood | 8.00 |

Snappy Disposable Anchors ↘

- Fits any roof pitch
- Easy to install by nailing into the truss
- Just hammer over the attachment point when the job is done & install roofing substrate over destroyed anchor point
- Fasteners provided
- Sold in cartons of 8 or 25
- Meets all applicable OSHA & ANSI standards

Ridge-It SAFU Anchor ↘

The new Ridge-It SAFU Anchor now comes with butyl as extra water tight protection. Butyl is a copolymer of isobutene and isoprene, used as a waterproofing material.

In addition, we are also adding spiral stainless steel fasteners with all SAFU anchors.



Ridge-It Anchors ↘

- For permanent use on wood rooftops
- Discreet design
- Stainless steel anchor
- Easy installation
- Meets all applicable OSHA & ANSI standards

[1] Ridge-It 1 D-ring Anchor (00500)

[2] Ridge-It 2 D-ring Anchor (00510)

[3] Ridge-It 2 D-ring SAFU Anchor (00511)



SKYHOOK™ & SKYHOOK™ SWIVEL TOP

| Part# | Description | Pitch | Weight |
|-------|-------------------------|---------------|--------|
| 00300 | Skyhook™ | Flat | 7.00 |
| 00310 | Skyhook™ | 1/12 - 3/12 | 7.00 |
| 00320 | Skyhook™ | 4/12 - 6/12 | 7.00 |
| 00330 | Skyhook™ | 7/12 - 9/12 | 7.00 |
| 00340 | Skyhook™ | 10/12 - 12/12 | 7.00 |
| 00342 | New Adjustable Skyhook™ | Flat - 12/12 | 7.00 |
| 00380 | Skyhook™ Swivel Top | | 7.00 |

10 FT.
FROM
EACH
EDGE



00380

MAXIMUM
SPACING
BETWEEN
SKYHOOKS



00342



00320

Skyhook™ Swivel Top (00380) ↘

- Mounts on top of the Skyhook™
- Easy installation
- Swivels 360° degrees
- Removable and reusable bolt-on application
- Cost effective accessory to the Skyhook™
- Great for first-worker-up system
- Does not include Skyhook™ or retractable

New Adjustable Skyhook™ (00342) ↘

- Can adjust from flat to 12/12 roof pitch
- Has 360° Swivel D-ring
- Powder-coated for a durable weather proof finish

Skyhook™ ↘

- Patented permanent anchor point for:
Wood: 3/4" CDX plywood or better
Metal: 20 gauge or thicker
- Powder-coated for a durable weather proof finish



SKYMAST SKYHOOK™ & SKYMAST



1 SkyMast (00271)

- Ideal for safely loading & installing tiles onto the rooftops
- Powder-coat finish is available
- Spanish instructions are available
- Does not include Skyhook™ or SRL's

2 Retractable Cradles

SkyMast system comes with three retractable cradles. These cradles rotate 360° degrees and are set in a position that allows the retractables to perform properly. SkyMast accommodates most SRL's up to 65 feet.

3 Mast

The mast of the system is manufactured out of schedule 80 pipe. The system is designed to take the load of three individuals falling at the same time when used as a personal fall arrest system.

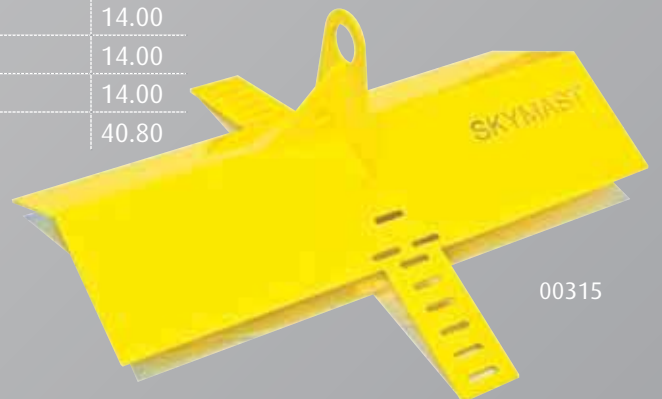
4 Steel Dowel Pins

Steel dowel pins secure retractables and legs to the system. The dowel pins are permanently secured to the system via a tether. The base plates provide further absorption to the system as they engage three trusses.

| Part# | Description | Pitch | Weight |
|-------|------------------------------|---------------|--------|
| 00315 | SkyMast Skyhook™ | 1/12 - 3/12 | 14.00 |
| 00325 | SkyMast Skyhook™ | 4/12 - 6/12 | 14.00 |
| 00335 | SkyMast Skyhook™ | 7/12 - 9/12 | 14.00 |
| 00345 | SkyMast Skyhook™ | 10/12 - 12/12 | 14.00 |
| 00271 | SkyMast (fasteners included) | Any | 40.80 |

SkyMast Skyhook™ ↘

The specially designed Skyhook™ allows for attachment down the center of a truss with screws. This is the stabilizer to the SkyMast.



00315

RESIDENTIAL ANCHOR POINTS



| Part# | Description | Pitch | Weight |
|-------|---|--------------|--------|
| 00420 | Truss Boss Anchor Kit: weather-proof cap & fasteners | | 2.00 |
| 00422 | Truss Boss Anchor Cap | | 0.50 |
| 00432 | Truss Boss Anchor | | 1.50 |
| 00440 | T-T Boss Anchor Kit (fasteners included) – grey | | 5.00 |
| 00441 | T-T Boss Anchor Kit (fasteners included) – terracotta | | 5.00 |
| 00442 | T-T Boss Anchor Kit (fasteners included) – black | | 5.00 |
| 00455 | Temper Reusable Anchor | Any | 3.50 |
| 00458 | Temper Reusable Anchor with Swivel Top | Any | 4.10 |
| 00460 | SP-Anchor | Any | 2.00 |
| 00470 | Stainless Steel Reusable Anchor | Any | 0.45 |
| 00480 | WA-Anchor (fasteners included) | 7/12 | 0.80 |
| 00481 | WA-Anchor (fasteners included) | 7/12 – 12/12 | 1.00 |
| 00482 | Halo Anchor (fasteners included) | Any | 0.80 |
| 00485 | Global Anchor (fasteners included) | | 6.00 |

[1] & [2] Temper Reusable Anchors ↘

- Meets all applicable OSHA & ANSI standards
- Can be installed with screws or duplex nails
- For temporary use on wood rooftops
- Fasteners provided
- Fits up to 12/12 roof pitch
- Offset holes down the center to avoid truss splitting
- Can be used between 2 trusses when all holes are filled
- Thicker plated metal for longer lasting life of the product
- Approved for use in metal deck 20g or better. Please contact Customer Service for fastener specifications

[3] SP-Anchor (00460) ↘

- Fits any pitch
- Disposable
- Easy to install by nailing or screwing into the truss
- Screws are included
- Meets all applicable OSHA & ANSI standards
- Durable galvanized steel

[4] Stainless Steel Reusable Anchor (00470) ↘

- For temporary use on wood rooftops
- Fits any roof pitch
- Meets all applicable OSHA & ANSI standards
- Durable & reusable
- Easy installation
- Fasteners provided

[5] WA-Anchor ↘

- Can be left in place or removed from service after construction is complete
- Attaches by drilling through the top chord & securing to the wall plate using four (4) 16d sinkers
- Provides safe vertical anchorage access when performing siding/external wall constructions
- Cost effective and versatile
- Attaches to 2 x 4 & 2 x 6 top plates
- Supplied with all necessary fasteners
- Used as fall arrest or fall restraint

[6] Truss Boss Anchor (00432) ↘

- Installs in less than a minute
- Extremely cost effective
- Attach Truss Boss Anchor to truss while on the ground
- Waterproof flashing for both composite & tile roof
- Non-corrosive materials

[7] T-T Boss Anchor Kit ↘

- Does not penetrate the top sheathing
- Comes with environmentally safe Aluminum flashing w/ vulcanized EPDM
- Cap is made of Luran-S which is highly durable unlike the competition & designed not to blow off
- Anchor can be put on the truss while the truss is on the ground
- Hassle-free flashing design makes it extremely easy to install
- Unique design absorbs energy in a fall registering impact forces below 900 lb.
- Used as fall arrest or fall restraint

[8] Halo Anchor (00482) ↘

- Reusable ¼" thick steel roof anchor
- Complete with zinc plated forged alloy steel O-ring
- Nail or bolt into the roof member
- Removable, it may be used again after an inspection
- 5,000 lb. minimum breaking strength
- Supplied with all necessary fasteners
- Used as fall arrest or fall restraint
- May also be used in conjunction with temporary Rope HLL

[9] Global Anchor (00485) ↘

- Universal anchor that gives you the choice of installing the anchor at the peak of the roof (up to a 12/12 pitch) or in the field using our hex head screws or duplex nails
- Fasteners included
- Used as fall arrest or fall restraint
- You can install through:

Sheathing only

Sheathing into the top chord

Existing roofing/sheathing



CB SERIES ANCHOR POINTS

| Standard | Swivel Top | Post | Base | Description | Weight |
|----------|------------|------|-----------|---|--------|
| 00645 | 00651 | 12" | 16" x 16" | CB-12 for Wood, Steel & Concrete | 35.00 |
| 00656 | 00652 | 18" | 12" x 12" | CB-18 for Concrete | 31.00 |
| 00690 | 00653 | 24" | 12" x 12" | CB-24 for Steel & Concrete | 48.00 |
| 00657 | 00654 | 18" | 16" x 16" | CB-18 for Wood & Steel | 35.00 |
| 10645 | 10651 | 12" | | CB-12 Weld-On Post | 35.00 |
| 10656 | 10652 | 18" | | CB-18 Weld-On Post | 31.00 |
| 10681 | | | 16" x 16" | Backer Plate for CB-12 | |
| 10683 | | | 12" x 12" | Backer Plate for CB-18 | |
| 00680 | | | | CB Swivel Top System for CB-12 or CB-18 | 12.00 |



CB-12 Welded to the I-Beam



CB Swivel Top System



CB-12 with Swivel Top



CB-12 & CB-18 Anchor Points ↘

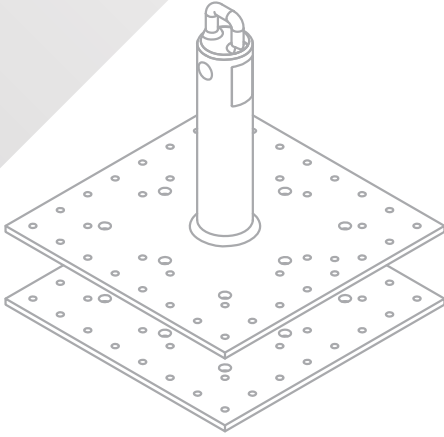
- CB-12 is for use on wood, steel or concrete
- CB-18 is for use on concrete, metal or plywood deck
- Durable galvanized finish
- Fasteners provided for wood & steel
- Post extends past roofing substrate to keep attachment point accessible
- Round post works with most off-the-shelf flashing kits
- Custom design & fabrication available
- Available in stainless steel
- Installation details are available upon request

CB Swivel Top System ↘

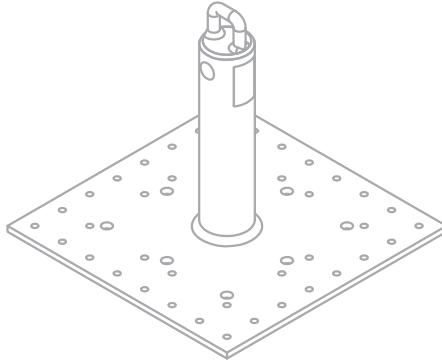
- Mounts on top of the CB-12 or CB-18
- Easy installation
- Swivels 360° degrees
- Removable & reusable bolt-on application
- Cost effective accessory to the CB
- Great for first worker up system
- Does not include CB or retractable

TYPES OF INSTALLATION

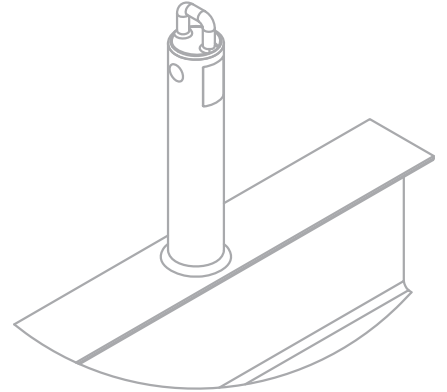
CB-12 ANCHOR POINTS



CB-12 AND CB-18 ANCHORS FOR CONNECTION WITH BACKER PLATE
(8) 1/2" BOLTS

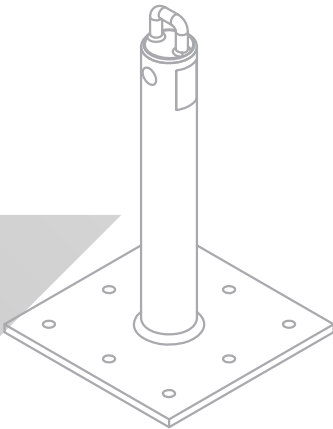


5/8" CDX PLYWOOD
22 GA METAL DECK
CONCRETE DECK
(40) METAL/WOOD
DECK SCREWS OR
(8) 1/2" BOLTS

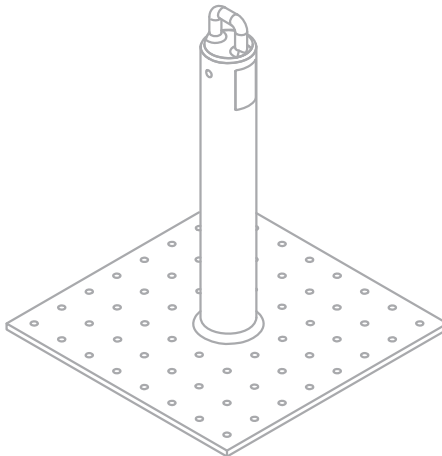


WELD-ON
5/16" FILLET WELD

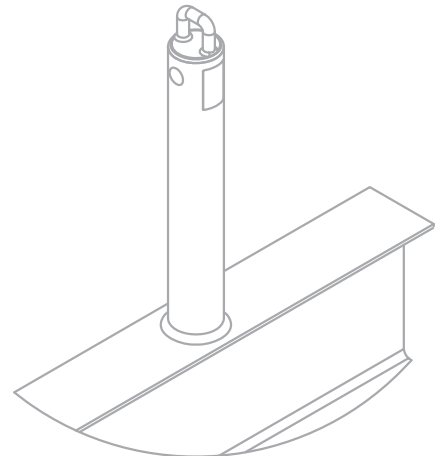
CB-18 ANCHOR POINTS



CONCRETE DECK WITH
(8) 1/2" BOLTS



5/8" CDX PLYWOOD
20 GA METAL DECK
(60) METAL/WOOD
DECK SCREWS



WELD-ON
5/16" FILLET WELD

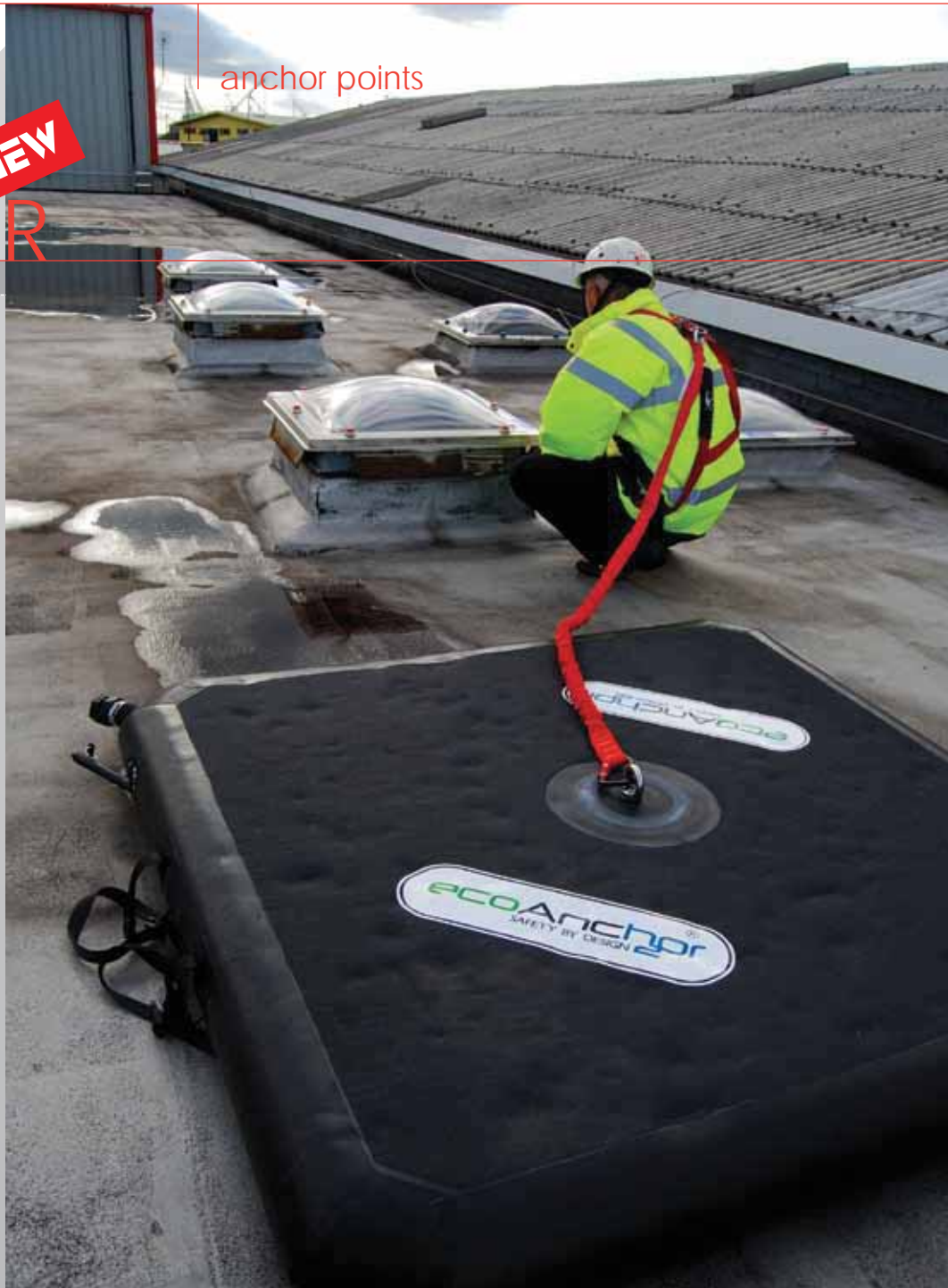
RENTAL

anchor points

NEW

EcoANCHOR

| Part# | Description |
|-------|-------------|
| 30801 | EcoAnchor |



- Material: Fire resistant neoprene
- Surface Contact Dimensions: 4'4" x 4'4"
- Weighs: Empty = 18 lb., Full = 948 lb.
- Pressure Loading: 50 lb. per square foot
- Puncture resistant
- Patent Pending No.0901634.6

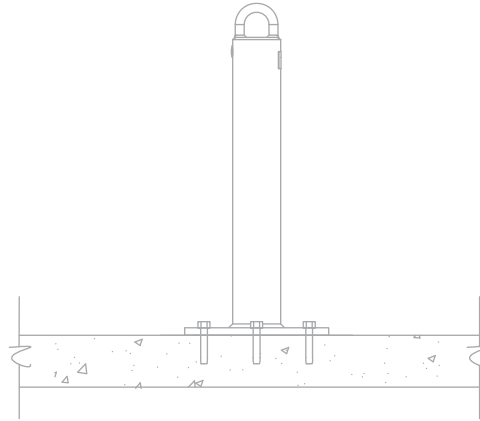
In direct partnership with CHECKMATE, an industry leading fall protection manufacturer in the UK, Guardian is excited to introduce the EcoAnchor. As a stocking supplier of the EcoAnchor, a distributor can expect quick turnaround to meet your customer and production needs.

The EcoAnchor, which is available for rent, offers end users an alternative to the heavy-to-transport system like our Angel Anchor. The EcoAnchor has the following features and benefits.

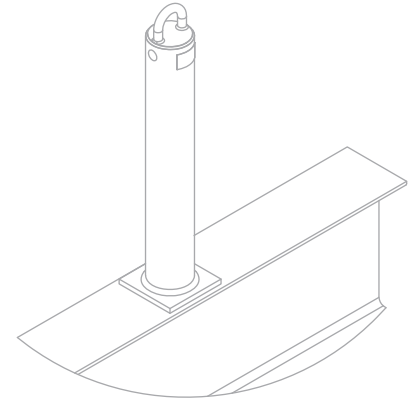
- Water filled neoprene counterweight fall arrest anchor system
- Sold individually as a single point fall arrest anchor or in a kit with Guardian's 4-Person 80' Temporary Horizontal Lifeline Fall Arrest Anchor System
- Tested & approved for use on a wide variety of low slope roof surfaces
- Weighs less than 20 lb. when empty & comes with a carry bag for stowing
- Requires no holes to be drilled in mounting surface
- Requires no heavy weights be lifted to mounting surface
- Installs faster (fills in 8 to 10 minutes) than traditional counterweight systems
- Less expensive than traditional rooftop counterweight systems



WINDOW WASHING ANCHOR



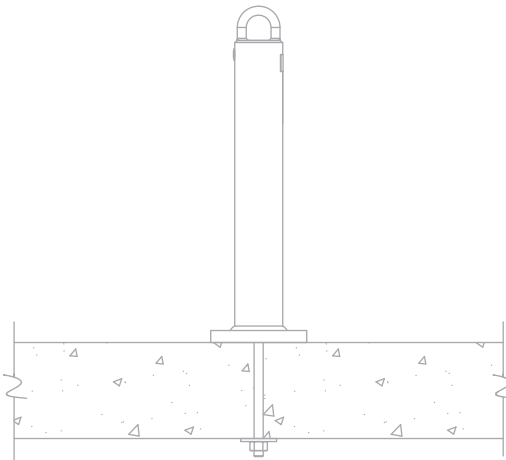
WINDOW WASHING TIE-BACK ANCHOR DETAIL (CONCRETE)



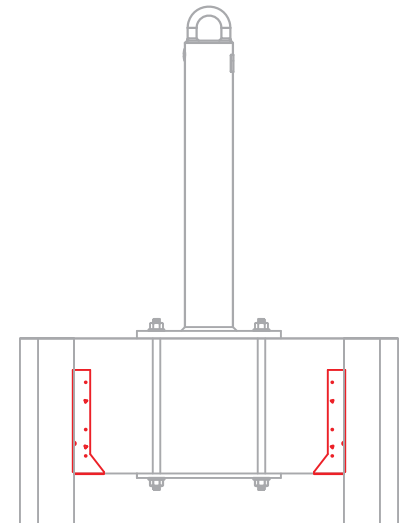
WINDOW WASHING TIE-BACK ANCHOR DETAIL (WELD-ON)

Design Load: 1,250 lb.
 Allowable Load (testing): 2,500 lb.
 Ultimate Load: 5,000 lb.

Window washing anchors must be inspected on a yearly basis and may be subjected to routine testing. Anchorages targeted for post installation testing shall be tested at a proof load of twice the intended design load per IWCA 8.1.3. The anchor must be capable of resisting this proof load without permanent deformation.



WINDOW WASHING TIE-BACK ANCHOR DETAIL (ONE-BOLT)



WINDOW WASHING TIE-BACK ANCHOR DETAIL (WOOD)

IWCA I-14.1 (International Window Cleaners Association) (9.1)

Anchorage shall be capable of sustaining a 5,000 lbs. minimum load or a minimum 4 to 1 factor of safety, whichever is greater in any direction the load is applied.

ROPE & CABLE ASSEMBLIES

01340



Custom VLA*



POLY STEEL ROPE ALSO AVAILABLE IN YELLOW



11331



01400



Poly Steel Rope ↘

Poly Steel rope is exclusive to Guardian. It is ideal for environments that are found to be damp or wet. Nylon rope, when wet, will become 10% - 15% weaker than dry ropes. While the strength does return when nylon rope dries out, the Poly Steel will hold up better overall in these types of environments as they do not absorb water. Poly Steel is particularly strong when it comes to ultraviolet light damage. The synthetic makeup of Poly Steel gives the rope excellent abrasion resistant characteristics resulting in a longer life. The Guardian exclusive Poly Steel is 10 X stronger than Polypropylene. While the rope will become fibrous, this does not mean it needs to be replaced. This is a result of normal everyday wear.

Polydac™ Rope ↘

Polydac™ rope is one of the strongest conventional ropes available today. The Polydac™ rope is 100% resistant to rot or mildew even if stored wet. Polydac™ rope absorbs more energy than any other type of rope available today, 12 times as much as Manila and 50% more than polyester. The working load elongation is 8%. Polydac™ rope has excellent resistance to alkalis and most solvents. Polydac™ rope provides good abrasion protection, but UV rays still degrade all synthetic fibers. Polydac™ rope has a melting point of over 300 degrees.

* Custom ropes are available upon request.

ROPE & CABLE ASSEMBLIES

| Part# | Size | Description | Weight |
|---------------------------------------|------|--|--------|
| Poly Steel Rope Assemblies | | | |
| 01310 | 25' | Vertical Lifeline Assembly w/ Shock Pack, Positioning Device & 18" Lanyard Extension | 5.00 |
| 01320 | 50' | Vertical Lifeline Assembly w/ Shock Pack, Positioning Device & 18" Lanyard Extension | 8.00 |
| 01323 | 75' | Vertical Lifeline Assembly w/ Shock Pack, Positioning Device & 18" Lanyard Extension | 10.00 |
| 01324 | 100' | Vertical Lifeline Assembly w/ Shock Pack, Positioning Device & 18" Lanyard Extension | 12.00 |
| 01325 | 130' | Vertical Lifeline Assembly w/ Shock Pack, Positioning Device & 18" Lanyard Extension | 14.00 |
| 01327 | 150' | Vertical Lifeline Assembly w/ Shock Pack, Positioning Device & 18" Lanyard Extension | 17.00 |
| 01326 | 200' | Vertical Lifeline Assembly w/ Shock Pack, Positioning Device & 18" Lanyard Extension | 19.20 |
| 11318 | 30' | No Tangle VLL Assembly w/ Swivel Snap Hook, Shock Pack, Positioning Device & 18" Lanyard Extension | 6.13 |
| 11320 | 50' | No Tangle VLL Assembly w/ Swivel Snap Hook, Shock Pack, Positioning Device & 18" Lanyard Extension | 8.23 |
| 01330 | 25' | Standard 5/8" Rope w/ Snap Hook end | 2.90 |
| 01340 | 50' | Standard 5/8" Rope w/ Snap Hook end | 5.00 |
| 01350 | 75' | Standard 5/8" Rope w/ Snap Hook end | 7.00 |
| 01360 | 100' | Standard 5/8" Rope w/ Snap Hook end | 9.00 |
| 01365 | 150' | Standard 5/8" Rope w/ Snap Hook end | 11.00 |
| 01345 | 200' | Standard 5/8" Rope w/ Snap Hook end | 13.00 |
| White Polydac™ Rope Assemblies | | | |
| 11321 | 25' | VLL Assembly w/ 3 Strand Polydac™ Rope, Shock Pack, Positioning Device & 18" Lanyard Extension | 3.90 |
| 11322 | 30' | VLL Assembly w/ 3 Strand Polydac™ Rope, Shock Pack, Positioning Device & 18" Lanyard Extension | 4.00 |
| 11323 | 50' | VLL Assembly w/ 3 Strand Polydac™ Rope, Shock Pack, Positioning Device & 18" Lanyard Extension | 5.00 |
| 11324 | 75' | VLL Assembly w/ 3 Strand Polydac™ Rope, Shock Pack, Positioning Device & 18" Lanyard Extension | 7.00 |
| 11325 | 100' | VLL Assembly w/ 3 Strand Polydac™ Rope, Shock Pack, Positioning Device & 18" Lanyard Extension | 9.00 |
| 11326 | 130' | VLL Assembly w/ 3 Strand Polydac™ Rope, Shock Pack, Positioning Device & 18" Lanyard Extension | 11.00 |
| 11327 | 150' | VLL Assembly w/ 3 Strand Polydac™ Rope, Shock Pack, Positioning Device & 18" Lanyard Extension | 13.00 |
| 11328 | 200' | VLL Assembly w/ 3 Strand Polydac™ Rope, Shock Pack, Positioning Device & 18" Lanyard Extension | 17.00 |
| 11329 | 25' | Polydac™ Rope w/ Snap Hook end | 3.50 |
| 11330 | 30' | Polydac™ Rope w/ Snap Hook end | 4.00 |
| 11331 | 50' | Polydac™ Rope w/ Snap Hook end | 5.00 |
| 11332 | 75' | Polydac™ Rope w/ Snap Hook end | 7.00 |
| 11333 | 100' | Polydac™ Rope w/ Snap Hook end | 9.00 |
| 11334 | 150' | Polydac™ Rope w/ Snap Hook end | 13.00 |
| 11335 | 200' | Polydac™ Rope w/ Snap Hook end | 17.00 |
| Wire Rope | | | |
| 01400 | 3/8" | Wire Rope – Tensile Strength 14,400 lbs. (cut to order by ft.) | 0.32 |
| 01410 | 3/8" | Drop Forged Clamp for Wire Rope | 0.50 |

CONSTRUCTION SAFETY NETTING



| Part# | Size | Description |
|-------|--------------------|--|
| 70001 | 48''(h) x 150'(l) | Orange Fire Retardant Debris Polyethylene (PE) Netting – Roll |
| 70002 | 48''(h) x 150'(l) | Blue Fire Retardant Debris Polyethylene (PE) Netting – Roll |
| 70003 | 48''(h) x 150'(l) | Black Fire Retardant Debris Polyethylene (PE) Netting – Roll |
| 70004 | 60''(h) x 150'(l) | Orange Fire Retardant Debris Polyethylene (PE) Netting – Roll |
| 70005 | 66''(h) x 150'(l) | Orange Fire Retardant Debris Polyethylene (PE) Netting – Roll |
| 70006 | 102''(h) x 150'(l) | Orange Fire Retardant Debris Polyethylene (PE) Netting – Roll |
| 70007 | 48''(h) x 150'(l) | Black Fire Retardant 70 Pro-Knit MM Polyethylene (PE) Netting – Roll |
| 70008 | 66''(h) x 150'(l) | Black Fire Retardant 70 Pro-Knit MM Polyethylene (PE) Netting – Roll |
| 70009 | 102''(h) x 150'(l) | Black Fire Retardant 70 Pro-Knit MM Polyethylene (PE) Netting – Roll |
| 70010 | 180''(h) x 150'(l) | Black Fire Retardant 70 Pro-Knit MM Polyethylene (PE) Netting – Roll |
| 70014 | | Netting Plate |
| 70015 | | Netting Clip |

CONSTRUCTION SAFETY NETTING

Standards ↘

1926.502(b)(4)

When the 200 pound (890 N) test load specified in paragraph (b)(3) of this section is applied in a downward direction, the top edge of the guardrail shall not deflect to a height less than 39 inches (1.0 m) above the walking/working level. Guardrail system components selected and constructed in accordance with the Appendix B to subpart M of this part will be deemed to meet this requirement.

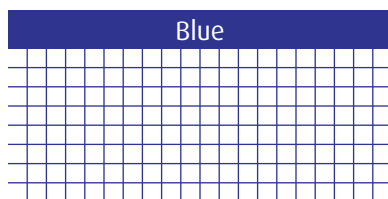
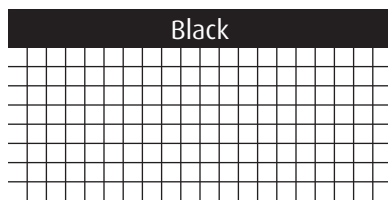
1926.502(b)(5)

Midrails, screens, mesh, intermediate vertical members, solid panels, and equivalent structural members shall be capable of withstanding, without failure, a force of at least 150 pounds (666 N) applied in any downward or outward direction at any point along the midrail or other member.

Specifications ↘

- UV resistant
- Reinforced border
- Stocked in regional warehouses
- Custom colors available

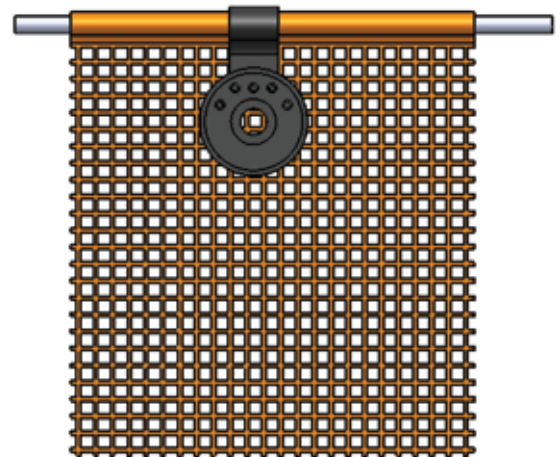
Color Options ↘



Netting Top Installation ↘

Step 1 Attach top of net to 1/4" aircraft cable with plastic clips.

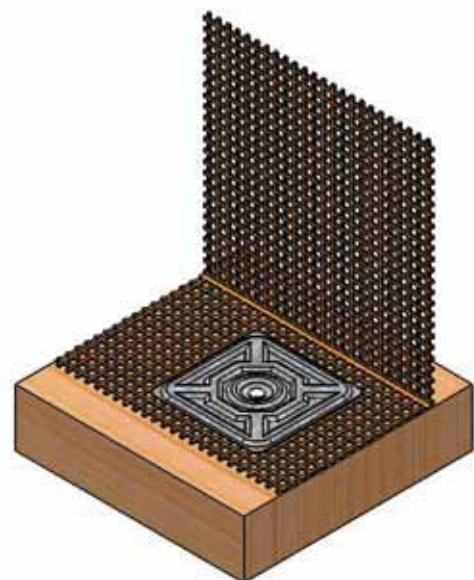
Step 2 Install plastic clips every 2 feet on center.



Netting Bottom Installation ↘

Step 1 Fasten bottom of net to floor slab with metal plates using 16 penny nails.

Step 2 Install metal plates every 2 feet on center.



RESIDENTIAL SAFETY NETTING

| Part# | Size | Description |
|-------|-----------|---|
| 61095 | 7' x 7' | Residential Safety Netting - Web w/ 8 Web Straps |
| 61085 | 12' x 12' | Residential Safety Netting - Web w/ 14 Web Straps |
| 61086 | 12' x 17' | Residential Safety Netting - Web w/ 16 Web Straps |
| 61087 | 12' x 22' | Residential Safety Netting - Web w/ 19 Web Straps |
| 61088 | 12' x 27' | Residential Safety Netting - Web w/ 22 Web Straps |
| 61089 | 17' x 17' | Residential Safety Netting - Web w/ 20 Web Straps |
| 61090 | 17' x 22' | Residential Safety Netting - Web w/ 22 Web Straps |
| 61091 | 17' x 27' | Residential Safety Netting - Web w/ 25 Web Straps |
| 61092 | 22' x 22' | Residential Safety Netting - Web w/ 24 Web Straps |
| 61093 | 22' x 27' | Residential Safety Netting - Web w/ 27 Web Straps |
| 61094 | 27' x 27' | Residential Safety Netting - Web w/ 30 Web Straps |



Style: Raschel Knotless Netting
Fiber: High Tenacity, Polypropylene (HTPP)
Cord Diameter: 3/16 inch (4.75 mm)
Mesh Size: 4" (100 mm) square opening measured between mesh joints
Mesh Break: 720 lb.
Dynamic Drop Test: 7,000 lb.
ANSI A10.11 test method, 350 lb. test weight dropped 20 ft into 17 x 24 ft bordered net without deformation
Weight: 0.034 lb/ft² (166 g/m²)
Melting Point: 320°F (160°C)
UV: Extra UV Stabilizers added
Color: Orange

CHOOSING YOUR NETTING

Knotless netting with a four inch square mesh. Knots are eliminated using a balanced knitted construction with filaments running continuously throughout the netting to enhance strength and durability. HTPP fiber is highly resistant to abrasion, lightweight, and is resistant to moisture and chemicals.

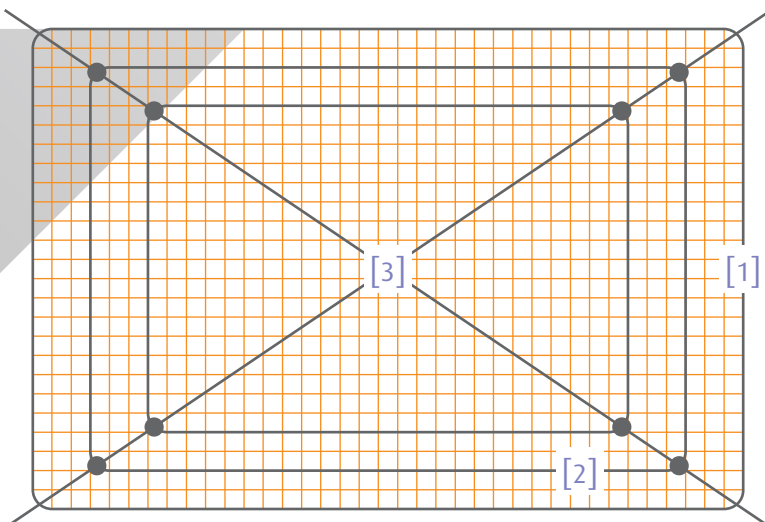
Residential Safety Netting System eliminates the need for interior scaffolding in clear story/balloon framed areas. The safety net is easy to setup, remove and store. Constructed of rugged high-strength fiber netting with integrated rope cording, the safety net is held in place over the work area with rope and adjustable cinch straps.

Choose the appropriate safety net by measuring the width and length of the work area to be protected. The net structure is supported with three sets of reinforcement ropes affording up to twenty-five dimensional adjustments in width and length. Lay the net on the floor and choose the appropriate perimeter rope to be used for fastening the net over the work area. **Custom sizes are made to order.**

Note: If plumb and line braces need to be removed to complete installation of the safety net, ensure that the Foreman for that job is present and that the braces are reinstalled properly.

Caution: Care must be taken not to draw the walls in toward the net when the straps are tightened. Temporary reinforcement of the frame work may be necessary, taking into consideration the weight and stress of the net in use. Safe practices must always be used when employing the use of ladders, hoists and scaffolding during installation and removal of the net.

| 17' x 22' (X x Y) | | | | |
|-------------------|-----------|-----------|-----------|-----------|
| 13' x 18' | 13' x 19' | 13' x 20' | 13' x 21' | 13' x 22' |
| 14' x 18' | 14' x 19' | 14' x 20' | 14' x 21' | 14' x 22' |
| 15' x 18' | 15' x 19' | 15' x 20' | 15' x 21' | 15' x 22' |
| 16' x 18' | 16' x 19' | 16' x 20' | 16' x 21' | 16' x 22' |
| 17' x 18' | 17' x 19' | 17' x 20' | 17' x 21' | 17' x 22' |
| 17' x 27' (X x Y) | | | | |
| 13' x 23' | 13' x 24' | 13' x 25' | 13' x 26' | 13' x 27' |
| 14' x 23' | 14' x 24' | 14' x 25' | 14' x 26' | 14' x 27' |
| 15' x 23' | 15' x 24' | 15' x 25' | 15' x 26' | 15' x 27' |
| 16' x 23' | 16' x 24' | 16' x 25' | 16' x 26' | 16' x 27' |
| 17' x 23' | 17' x 24' | 17' x 25' | 17' x 26' | 17' x 27' |
| 22' x 22' (X x Y) | | | | |
| 18' x 18' | 18' x 19' | 18' x 20' | 18' x 21' | 18' x 22' |
| 19' x 19' | 19' x 20' | 19' x 21' | 19' x 22' | |
| 20' x 20' | 20' x 21' | 20' x 22' | | |
| 21' x 21' | 21' x 22' | 22' x 22' | | |
| 22' x 27' (X x Y) | | | | |
| 18' x 23' | 18' x 24' | 18' x 25' | 18' x 26' | 18' x 27' |
| 19' x 23' | 19' x 24' | 19' x 25' | 19' x 26' | 19' x 27' |
| 20' x 23' | 20' x 24' | 20' x 25' | 20' x 26' | 20' x 27' |
| 21' x 23' | 21' x 24' | 21' x 25' | 21' x 26' | 21' x 27' |
| 22' x 23' | 22' x 24' | 22' x 25' | 22' x 26' | 22' x 27' |
| 27' x 27' (X x Y) | | | | |
| 23' x 23' | 23' x 24' | 23' x 25' | 23' x 26' | 23' x 27' |
| 24' x 24' | 24' x 25' | 24' x 26' | 24' x 27' | |
| 24' x 25' | 25' x 26' | 25' x 27' | | |
| 24' x 26' | 26' x 27' | 27' x 27' | | |



- [1] Perimeter Ropes (3) one feet apart
- [2] Knotted Cross Ropes (8 places)
- [3] Cross Ropes (2)

ROPE & CABLE GRABS

| Part# | Description | Weight |
|-------|--|--------|
| 01500 | Rope Grab with Attached 18" Extension Lanyard | 2.00 |
| 01503 | Rope Grab with Attached 3' Shock Absorbing Lanyard | 3.00 |
| 01505 | Rope Grab (no extension) | 1.30 |
| 01507 | Rope Grab with Attached Shock Pack | 2.60 |
| 01510 | Cable Grab for 3/8" Cable | 2.40 |
| 01515 | Cable Grab for 5/16" Cable | 2.30 |
| 01520 | Rope Positioning Device Assembly | 1.75 |
| 01521 | HS Rope Positioning Device Assembly with Attached 18" Extension & Shock Stop | 2.50 |

01505



01520



Cable Grab



Rope & Cable Grabs ↘

- Removable rope grabs are easy to install
- Fits 5/8" or 1/2" safety ropes
- Locks automatically when a fall occurs
- Available with or without 18" extension lanyard
- Stainless steel cable grabs fit 3/8" or 5/16" cable & travel in both directions automatically
- Squeeze to move positioning device, locks automatically
- Can be ordered with a shock absorber

HOOKS & CARABINERS

| Part# | Gate | Description | Weight |
|---------|------|---------------------------------------|--------|
| 01813-A | ¾" | Locking Aluminum Carabiner | 0.20 |
| 01813-S | ¾" | Locking Steel High Strength Carabiner | 0.40 |
| 01816 | | Swivel Forged Carabiner | 0.92 |
| 01823 | 2½" | Stamped Steel Rebar Hook | 1.74 |
| 01822-A | | Forged Aluminum Snap Hook | 0.50 |
| 01823-A | | Forged Aluminum Rebar Hook | 1.40 |
| 01825 | ¾" | Swivel Indicating Snap Hook | 1.20 |
| 01835 | ¾" | Forged Triple Lock Tie-Back Carabiner | 0.70 |
| 01830 | ¾" | Stamped Steel Snap Hook | 0.80 |
| 01850 | 2¼" | Forged Pompier Hook | 1.96 |



Hooks & Carabiners ▾

Our connector and snap hook options vary as you can see above. These provide you with versatility to get your job done safely. Remember the 3,600 lb. gate rule that ANSI Z359 requires when choosing your connector.

Guardian is one of only a few manufacturers that offers an aluminum rebar hook that is 3rd party tested for compliance with the ANSI Z359 standard.

- [1] Locking Aluminum Carabiner (01813-A)
- [2] Locking Steel Carabiner (01813-S)
- [3] Swivel Forged Carabiner (01816)
- [4] Stamped Steel Rebar Hook (01823)
- [5] Forged Aluminum Snap Hook (01822-A)
- [6] Forged Aluminum Rebar Hook (01823-A)
- [7] Swivel Indicating Snap Hook (01825)
- [8] Stamped Steel Snap Hook (01830)
- [9] Forged Triple Lock Tie-Back Carabiner (01835)
- [10] Forged Pompier Hook (01850)

CARRYING & STORAGE BAGS

| Part# | Description | Weight |
|--------------|---|--------|
| 00763 | Large Ultra-Sack Black Canvas Duffel Backpack | 3.00 |
| 00765 | Red Nylon Sport Bag | 1.00 |
| 00768 | Small Ultra-Sack Black Canvas Backpack | 1.50 |
| SOS-Backpack | SOS Backpack with Guardian Logo | 1.50 |



00765



SOS-Backpack

Ultra-Sack Backpacks ↘

These newly designed ultra premium equipment bags provide the ultimate in durability with more capacity than any other fall protection equipment bags available on the market today.

The Ultra-Sack is available in either our rugged canvas series or our rugged vinyl sack for the ultimate in durability. The backpack configuration makes climbing a ladder with your equipment a snap while staying in compliance with ladder standards.

Carrying & Storage Bags ↘

- Perfect for storage & daily transport to and from the job-site
- Durable & convenient
- Keeps equipment clean & organized
- Helps to protect equipment against UV rays
- ADD YOUR LOGO TO ANY BAG! Call for details 800.466.6385

HOLD ME ROPE ANCHOR



1 Tie Back

Can be used to choke off around a nonabrasive support member when a permanent anchor point is not available.



2 VLL Anchorage

Vertical lifelines with rope grabs are a common use for this anchor.



3 Anchor Termination

Can be used as a termination at the end of a rope to add an anchor point.



| Part# | Description | Weight |
|-------|---------------------|--------|
| 01300 | Hold Me Rope Anchor | 0.50 |

Hold Me Rope Anchor (01300) ↘

- Convenient lifeline connection point
- Safer than tying a knot
- Reusable lightweight aluminum
- Easy instructions for tie off
- Stays taut, but simple to untie
- Attach carabiner to top hole for attachment to anchor point

Dimensions: 10"(L) x 2"(W) x 5/16"(H)
 Holes: 1" (D)
 Material: 70.75 T6 Aluminum

ACCESSORIES

Skyhook™ Flashing Accessories ↘

- Flashing available in a pre-primed ready-to-paint finish
- Gaskets also available & sold separately



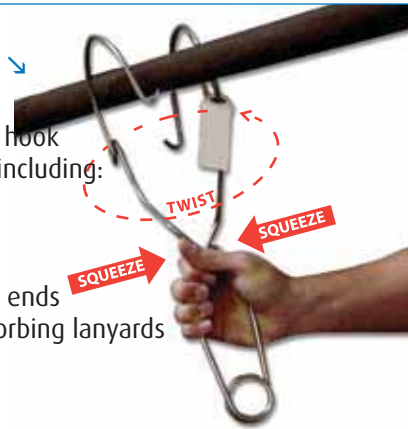
Tool Lanyards ↘

- Help reduce falling object related injuries
- Securely attach tools to wrist or tool belt
- Two connection options for ease & versatility



Wire Hook Anchorage (01860) ↘

- Stainless Steel
- Opens by squeezing spring loaded hook
- Connects to various anchor points including:
 - Scaffolding*
 - Railings*
 - Small I-beams*
- Double leg option has 2 wire hook ends
- Available with attached shock absorbing lanyards



Armadillo (00245) ↘

- Designed specifically for proper use of retractable
- Aluminum cradle makes the unit lightweight
- 360° degree casters make movement of Armadillo smooth
- Can be attached to our Horizontal Rope Lifeline System
- Can be attached to any roof anchor on the market
- Fits our 20'/30'/50'/65' retractables



| Part# | Description | Weight |
|-------|--|--------|
| 00245 | Armadillo | 11.00 |
| 00352 | Skyhook™ Flashing – Primer | 2.00 |
| 00358 | Neoprene Skyhook™ Gasket – Small | 1.00 |
| 00359 | Neoprene Skyhook™ Gasket – Large | 1.00 |
| 01860 | Wire Hook Anchorage | 0.90 |
| 10725 | Tool Lanyard with Mini Twist Locking Carabiner | 0.15 |
| 10726 | Tool Lanyard with Mini Carabiner | 0.10 |

HARNESSES ACCESSORIES

PRO Tool Bags ↘

- A variety of large & small pockets for storage versatility
- Covered pocket to store fasteners
- Tape measure rack



Shoulder Pads & G-Back Comfort System ↘

- Super comfortable padding
- Velcro or snap-on attachment
- Will greatly improve the comfort of your workers



Lanyard Keepers (01802) ↘

The Removable Lanyard Keepers can be put on most harnesses manufactured by Guardian as well as harnesses manufactured by others. Designed to tear away in the event of being snagged, these are an inexpensive way to make your workers more safe.

Butterfly Removable D-ring (02000) ↘

- Incorporates easily into the harness chest strap
- Must be used in compliance with OSHA standards
- Not for fall arrest attachment



- [1] PRO Tool Belt
- [2] 45° Degree Hammer Holder (10824)
- [3] PRO Dual Nail Holder (10822)
- [4] PRO Nail & Tool Holder (10823)

| Part# | Description | Weight |
|-------|--|--------|
| 01185 | Shoulder Pads | 1.50 |
| 01802 | Lanyard Keeper – Velcro with D-ring (1 pair) | 0.50 |
| 02000 | Butterfly Removable Chest D-ring | 0.50 |
| 10820 | PRO Tool Belt – Regular | 3.40 |
| 10821 | PRO Tool Belt – Large | 3.60 |
| 10822 | PRO Dual Nail Holder | 1.20 |
| 10823 | PRO Nail & Tool Holder | 1.20 |
| 10824 | 45° Degree Hammer Holder | 0.30 |
| 21150 | G-Back Comfort System | 1.00 |



BRAND X SAFETY GLASSES

Brand X1 Series Safety Glasses ↘

- Contemporary light-weight rectangular lens design
- Frame colors: Matte Black & Tortoise
- Lens tints: Clear, Amber, Gray, Brown, 10* Silver Mirror, HD Brown Mirror, Silver Mirror, Red Mirror, Gray Polarized & Brown Polarized

X1T08



Brand X2 Series Safety Glasses ↘

- Sporty wrap-around look
- Frame colors: Matte Black & Translucent Orange
- Lens tints: Clear, Amber, Gray, 10* Silver Mirror, Silver Mirror & Red Mirror

X2003



Brand X3 Series Safety Glasses ↘

- Edgy Euro Styling
- Frame colors: Matte Black & Tortoise
- Lens tints: Clear, Amber, Gray, Brown, 10* Silver Mirror, HD Brown Mirror, Silver Mirror, Gold Mirror & Brown Polarized

X3B05



Brand X4 Series Safety Glasses ↘

- Traditional twin lens look
- Frame colors: Matte Black & Tortoise
- Lens tints: Clear, Amber, Gray, 10* Silver Mirror, HD Brown Mirror, Silver Mirror, Gray Polarized & Brown Polarized

X4B03



Brand X5 Series Safety Glasses ↘

- Full framed contemporary sunglass design
- Frame colors: Glossy Black, Tortoise, & Black/Orange
- Lens tints: Clear, Amber, Gray, 10* Silver Mirror, HD Brown Mirror, Silver Mirror, Gold Mirror & Brown Polarized

X5012



Brand X6 Series Safety Glasses ↘

- Light, sporty wrap-around styling
- Frame colors: Matte Black, Champagne, & Silver
- Lens tints: Clear, Amber, Gray, Brown, 10* Silver Mirror, HD Brown Mirror, Silver Mirror & Gold Mirror

X6C01



* **Note:** 10 refers to an Indoor/Outdoor lens in industry. Worn by forklift operators moving from indoors to outdoors. It is a light mirror coating over a clear lens that reflects sunlight outdoors and still allows enough visual light transmission indoors to wear in bright work areas.

accessories

X1 describes the style

B (Black) T (Tortuous) O (Orange) C (Champagne) describes the frame color

The numbers below describe the lens type or color:

01 Clear

02 Amber

03 Gray

04 I/O Silver Mirror

05 Silver Mirror

06 Red Mirror

* Temple Rubber

07 Gray Polarized

08 Brown

09 Brown Mirror

10 Brown Polarized

11 Blue Mirror

12 Gold Mirror

| X1 | X2 | X4 | Frame Color | Lens Color | Lens Coating | Bridge | Temples | TR* | Qty. | |
|-------|-------|-------|--------------|-----------------------|-----------------------|--------------|--------------|------|------|----|
| X1B01 | X2B01 | X4B01 | Matte Black | Clear | Anti-Fog | Adjustable | Bayonet | Yes | 10 | |
| X1B02 | X2B02 | X4B02 | Matte Black | Amber | Anti-Fog | Adjustable | Bayonet | Yes | 10 | |
| X1B03 | X2B03 | X4B03 | Matte Black | Gray | Anti-Fog | Adjustable | Bayonet | Yes | 10 | |
| X1B04 | X2B04 | X4B04 | Matte Black | IO Silver Mirror | Anti-Fog | Adjustable | Bayonet | Yes | 10 | |
| X1B05 | X2B05 | X4B05 | Matte Black | Silver Mirror | Anti-Fog | Adjustable | Bayonet | Yes | 10 | |
| X1B06 | X2B06 | | Matte Black | Red Mirror | Anti-Fog | Adjustable | Bayonet | Yes | 10 | |
| X1B07 | | X4B07 | Matte Black | Gray Polarized | Anti-Fog | Adjustable | Bayonet | Yes | 10 | |
| X1T01 | | X4T01 | Tortoise | Clear | Anti-Fog | Adjustable | Bayonet | Yes | 10 | |
| | | X4T02 | Tortoise | Amber | Anti-Fog | Adjustable | Bayonet | Yes | 10 | |
| X1T08 | | | Tortoise | HD Brown | Anti-Fog | Adjustable | Bayonet | Yes | 10 | |
| X1T09 | | X4T09 | Tortoise | HD Brown/Flash Mirror | Anti-Fog | Adjustable | Bayonet | Yes | 10 | |
| X1T10 | | | Tortoise | Brown Polarized | Anti-Fog | Adjustable | Bayonet | Yes | 10 | |
| | X2003 | | Trans Orange | Gray | Anti-Fog | Adjustable | Bayonet | Yes | 10 | |
| | X2005 | | Trans Orange | Silver Mirror | Anti-Fog | Adjustable | Bayonet | Yes | 10 | |
| X3 | X6 | | Frame Color | Lens Color | Lens Coating | Bridge | Temples | TR* | Qty. | |
| X3B01 | X6B01 | | Matte Black | Clear | Anti-Fog | Fixed Rubber | Bayonet | Yes | 10 | |
| X3B02 | X6B02 | | Matte Black | Amber | Anti-Fog | Fixed Rubber | Bayonet | Yes | 10 | |
| X3B03 | X6B03 | | Matte Black | Gray | Anti-Fog | Fixed Rubber | Bayonet | Yes | 10 | |
| X3B04 | X6B04 | | Matte Black | IO Silver Mirror | Anti-Fog | Fixed Rubber | Bayonet | Yes | 10 | |
| X3B05 | | | Matte Black | Silver Mirror | Anti-Fog | Fixed Rubber | Bayonet | Yes | 10 | |
| | X6B05 | | Matte Black | Silver Mirror | Anti-Fog | Fixed Rubber | Bayonet | Yes | 10 | |
| | X6W06 | | White | Red Mirror | Anti-Fog | Fixed Rubber | Bayonet | Yes | 10 | |
| | X6C01 | | Champagne | Clear | Anti-Fog | Fixed Rubber | Bayonet | Yes | 10 | |
| | X6C05 | | Champagne | Silver Mirror | Anti-Fog | Fixed Rubber | Bayonet | Yes | 10 | |
| | X6C08 | | Champagne | Brown | Anti-Fog | Fixed Rubber | Bayonet | Yes | 10 | |
| X3T08 | | | Tortoise | HD Brown | Anti-Fog | Fixed Rubber | Bayonet | Yes | 10 | |
| X3T09 | | | Tortoise | HD Brown/Flash Mirror | Anti-Fog | Fixed Rubber | Bayonet | Yes | 10 | |
| | X6C09 | | Champagne | HD Brown/Flash Mirror | Anti-Fog | Fixed Rubber | Bayonet | Yes | 10 | |
| X3T10 | | | Tortoise | Brown Polarized | Anti-Fog | Fixed Rubber | Bayonet | Yes | 10 | |
| | X6C12 | | Champagne | Gold Mirror | Anti-Fog | Fixed Rubber | Bayonet | Yes | 10 | |
| X5 | | | Frame Color | Lens Color | Lens Coating | Bridge | Temples | TR* | Qty. | |
| | | | X5B01 | Glossy Black | Clear | Anti-Fog | Fixed Rubber | Bent | Yes | 10 |
| | | | X5B03 | Glossy Black | Gray | Anti-Fog | Fixed Rubber | Bent | Yes | 10 |
| | | | X5B04 | Glossy Black | IO Silver Mirror | Anti-Fog | Fixed Rubber | Bent | Yes | 10 |
| | | | X5B05 | Glossy Black | Silver Mirror | Anti-Fog | Fixed Rubber | Bent | Yes | 10 |
| | | | X5T01 | Tortoise | Amber | Anti-Fog | Fixed Rubber | Bent | Yes | 10 |
| | | | X5T09 | Tortoise | HD Brown/Flash Mirror | Anti-Fog | Fixed Rubber | Bent | Yes | 10 |
| | | | X5T10 | Tortoise | Brown Polarized | Anti-Fog | Fixed Rubber | Bent | Yes | 10 |
| | | | X5W03 | White | Gray | Anti-Fog | Fixed Rubber | Bent | Yes | 10 |
| | | | X5W11 | White | Blue Mirror | Anti-Fog | Fixed Rubber | Bent | Yes | 10 |
| | | | X5W12 | White | Gold Mirror | Anti-Fog | Fixed Rubber | Bent | Yes | 10 |
| | | | X5O03 | Black/Orange | Gray | Anti-Fog | Fixed Rubber | Bent | Yes | 10 |
| | | | X5O12 | Black/Orange | Gold Mirror | Anti-Fog | Fixed Rubber | Bent | Yes | 10 |

PRO LINE SAFETY GLASSES & HEARING



PROTECTION



PRO Line Safety Glasses ↘

- 100% UV protection
- Meet CE EN166 1F & ANSI Z87.1 ratings
- Protect your eyes with our extensive offering
- All glasses have anti-fog coating

PRO Line Hearing Protection ↘

- Comfortable design earmuffs
- Adjustable
- Meet CE EN352-1 & ANSI S3.19

7080 SNR: 21.2dB

NNR: 18dB

7081 NR: 27dB

NNR: 27.2dB

| P1 | P2 | P3 | P4 | P5 | HP | Frame | Lens Color | Description | Qty. |
|------|------|------|------|------|------|--------|---------------|---|------|
| 7000 | | | | | | Clear | Clear | Safety Goggles | 10 |
| | 7001 | | | | | Silver | Silver Mirror | Safety Glasses/Goggles with Arms & Headband | 10 |
| | 7002 | | | | | Blue | Smoke | Safety Glasses/Goggles with Arms & Headband | 10 |
| | 7003 | | | | | Gray | Yellow | Safety Glasses/Goggles with Arms & Headband | 10 |
| | 7004 | | | | | Gray | Red | Safety Glasses/Goggles with Arms & Headband | 10 |
| | | 7005 | 7009 | | | Clear | Clear | Safety Glasses | 10 |
| | | 7006 | 7010 | 7014 | | Gray | Silver Mirror | Safety Glasses | 10 |
| | | 7007 | 7011 | 7015 | | Gray | Smoke | Safety Glasses | 10 |
| | | 7008 | 7012 | 7016 | | Gray | Yellow | Safety Glasses | 10 |
| | | | 7013 | 7017 | | Gray | Red | Safety Glasses | 10 |
| | | | | | 7080 | | | Hearing Protection – Earmuffs | 10 |
| | | | | | 7081 | | | Hearing Protection – Folding Earmuffs | 10 |



IN STORE DISPLAYS



- [1] All PRO Display
- [2] Safe-T™ Ladder Extension Display
- [3] Quick Support Tool Display
- [4] Shingle Shark Display
- [5] Sawhorse Display
- [6] GutterBrush Display
- [7] Folding Utility Knife Display
- [8] Heavy Duty Utility Blades Display

TO ORDER, CALL CUSTOMER SERVICE (800) 231.5647

Competent Person ↘

16 hours (2 days). Up to 20 people. Cost \$895.00 per person.

The Qualcraft® Competent Person class provides the student with a key knowledge base, designed around the strict guidelines of OSHA 1926/1910 and ANSI A.10, A14 and Z359.

Upon completion, the student will be able to demonstrate knowledge of the following topics:

- Equipment Selection, Inspection & Donning
- Fall Prevention/Restraint/Arrest
- Fall Hazard Elimination
- Passive vs. Active Systems
- Fall Arrest Rescue Systems
- Selection & Usage of Non-Certified Anchorages
- Authorized Persons' Duties & Responsibilities
- Competent Persons' Duties & Responsibilities
- Testing of Fall Protection Equipment
- 'Hands-On' Scenario of Fall Protection Systems
- OSHA & ANSI Standards of Fall Protection

Authorized Person ↘

4 hours. Up to 20 people. Cost \$200.00 per person.

This class is designed for an Authorized User of fall protection. Most of our 'Authorized Person' classes are conducted on-site for a specific group. We can customize the course content for the end user's application/trade.

Competent Person Refresher ↘

8 hours. Up to 20 people. Cost \$495.00 per person.

This Competent Person Refresher course is to be taken two years after completion of the Qualcraft® Competent Person course. Topics highlight the key points of the Competent Person course as well as any updates to OSHA standards/regulations.

Authorized Rescue ↘

8 hours. Up to 5 people. Cost \$495.00 per person.

This course covers the key components to be an "Authorized Rescuer" per the ANSI and OSHA guidelines. Topics covered include:

- Selection, Inspection, Maintenance & Storage of Rescue Equipment
- Various types of 'Hands-On' Rescue Techniques
- Authorized Rescuers' Duties & Responsibilities
- Four Hours of 'Hands-On' Rescue Training Using Qualcraft® 'State-of-the-Art' Training Tower

Fall Protection Awareness ↘

1 - 2 hours. Up to 100 people. Cost \$50.00 per person.

This is what's traditionally referred to as a "drop presentation", "trailer presentation" or "on-site demo". Historically, fall protection manufactures have performed these demonstrations in about an hour with little to no site specific training held. If you choose Qualcraft® for this service, we will come to your jobsite and perform realistic, hands on site specific fall protection training. Topics covered include:

- ABC's of Fall Protection
- Selection, Inspection & Donning of Fall Protection
- Statistics
- Why Wear Fall Protection
- Site Specific Fall Protection Training



INDEX

| | | | | | |
|-------------|-----------|-------------|----------|----------|----------|
| 4IN24FT 62 | 00653 90 | 01365 95 | 02040 74 | 2477 34 | 02740 74 |
| 5IN12FT 62 | 00656 90 | 01400 95 | 2044 10 | 2480 32 | 02745 74 |
| 5IN30FT 62 | 00657 90 | 01410 95 | 02045 74 | 2481 32 | 02810 74 |
| 5IN60FT 62 | 00680 90 | 01500 100 | 2045 10 | 02500 74 | 02820 74 |
| 5IN120FT 62 | 00690 90 | 01503 100 | 2046 10 | 2500 56 | 02830 74 |
| 6IN12FT 62 | 70955 59 | 01505 100 | 02100 74 | 2501 57 | 3000 9 |
| 6IN60FT 62 | 00710 85 | 01507 100 | 02105 74 | 2502 57 | 3006 7 |
| 7IN45FT 62 | 00711 85 | 01510 100 | 02110 74 | 2503 57 | 03010 74 |
| 8IN36FT 62 | 00720 68 | 01515 100 | 02115 74 | 2504 57 | 3012 7 |
| 100MK 59 | 00725 68 | 01520 100 | 02120 74 | 2505 57 | 3018 7 |
| 113 59 | 00730 68 | 01521 100 | 02125 74 | 02510 74 | 03020 74 |
| 113AG 59 | 00735 68 | 01700 70 | 02130 74 | 2510 56 | 3024 7 |
| 113B 59 | 00740 68 | 01701 70 | 02135 74 | 02520 74 | 03030 74 |
| 00245 104 | 00745 68 | 01702 70 | 02140 74 | 2525 56 | 03040 74 |
| 00271 87 | 00763 102 | 01703 70 | 02145 74 | 02530 74 | 3500 56 |
| 00300 86 | 00765 102 | 01704 70 | 02200 74 | 2530 55 | 3501 57 |
| 00310 86 | 00768 102 | 01705 70 | 2200 12 | 2531 55 | 3502 57 |
| 00315 87 | 00800 66 | 01706 70 | 2201 12 | 2532 55 | 3503 57 |
| 00320 86 | 00803 66 | 01802 105 | 2204 13 | 2533 55 | 3504 57 |
| 00325 87 | 00805 66 | 01813 101 | 02205 74 | 2534 55 | 3505 57 |
| 00330 86 | 00810 66 | 01813-A 101 | 02210 74 | 02540 74 | 3510 64 |
| 00335 87 | 00813 66 | 01813-S 101 | 2210 12 | 2560 61 | 3511 64 |
| 00340 86 | 00815 66 | 01816 101 | 02215 74 | 2561 61 | 3512 64 |
| 00342 86 | 00830 66 | 01822-A 101 | 02220 74 | 2562 61 | 3513 64 |
| 00345 87 | 00840 66 | 01823 101 | 02225 74 | 2563 61 | 3514 64 |
| 00352 104 | 00870 68 | 01823-A 101 | 02230 74 | 2570 61 | 3515 64 |
| 00358 104 | 00875 68 | 01825 101 | 02235 74 | 2571 61 | 3516 64 |
| 00359 104 | 1000 58 | 01830 101 | 02240 74 | 2572 61 | 3517 64 |
| 00380 86 | 01185 105 | 01835 101 | 02245 74 | 2573 61 | 3518 64 |
| 00420 88 | 01214 77 | 01850 101 | 2300 13 | 02600 74 | 3519 64 |
| 00422 88 | 01215 77 | 01860 104 | 2301 13 | 2601 43 | 3520 64 |
| 00432 88 | 01217 77 | 02000 105 | 02305 74 | 2602 43 | 3521 64 |
| 00440 88 | 01218 77 | 2000 9 | 02315 74 | 2605 43 | 3522 64 |
| 00441 88 | 01220 77 | 2002 9 | 02325 74 | 02610 74 | 3523 64 |
| 00442 88 | 01221 77 | 2004 9 | 02335 74 | 2610 43 | 3524 64 |
| 00455 88 | 01230 77 | 2006 6 | 02345 74 | 02620 74 | 3600 53 |
| 00458 88 | 01231 77 | 2008 9 | 02405 74 | 2620 43 | 3601 53 |
| 00460 88 | 01300 103 | 2009 9 | 02415 74 | 02630 74 | 3602 53 |
| 00470 88 | 01310 95 | 02010 74 | 2420 32 | 02640 74 | 3603 53 |
| 00480 88 | 01320 95 | 2012 6 | 2420P 32 | 2680 43 | 3610 53 |
| 00481 88 | 01323 95 | 2013 9 | 2422 32 | 2685 43 | 3613 53 |
| 00482 88 | 01324 95 | 02015 74 | 02425 74 | 2688 42 | 3614 53 |
| 00485 88 | 01325 95 | 02020 74 | 2430 32 | 02700 74 | 3619 53 |
| 00500 85 | 01326 95 | 2024 6 | 2432 32 | 02705 74 | 3620 53 |
| 00510 85 | 01327 95 | 02025 74 | 02435 74 | 02710 74 | 3630 54 |
| 00511 85 | 01330 95 | 02030 74 | 02445 74 | 02715 74 | 3631 54 |
| 00515 85 | 01340 95 | 2034 10 | 2460 33 | 02720 74 | 3633 54 |
| 00645 90 | 01345 95 | 02035 74 | 2465 33 | 02725 74 | 04633 69 |
| 00651 90 | 01350 95 | 2035 10 | 2470 35 | 02730 74 | 04634 69 |
| 00652 90 | 01360 95 | 2036 10 | 2475 31 | 02735 74 | 04639 69 |

| | | | | | | | | | | | |
|--------------|-----|-----------------|-----|--------------|--------|--------------|----|--------------|------------|----------------|----|
| 7000 | 109 | 10822 | 105 | 10993 | 79 | 15014 | 18 | 21047 | 72 | 61158 | 21 |
| 7001 | 109 | 10823 | 105 | 10994 | 79 | 15015 | 18 | 21048 | 72 | 61161 | 21 |
| 7002 | 109 | 10824 | 105 | 10995 | 79 | 15016 | 18 | 21052 | 72 | 61163 | 21 |
| 7003 | 109 | 10825 | 35 | 10996 | 79 | 15017 | 18 | 21053 | 72 | 61164 | 21 |
| 7004 | 109 | 10826 | 35 | 10997 | 79 | 15026 | 26 | 21054 | 72 | 61171 | 21 |
| 7005 | 109 | 10827 | 35 | 10998 | 79 | 15051 | 53 | 21055 | 72 | 61181 | 21 |
| 7006 | 109 | 10900 | 79 | 11009 | 83 | 15052 | 53 | 21064 | 72 | 61182 | 21 |
| 7007 | 109 | 10901 | 79 | 11160 | 71 | 15053 | 53 | 21065 | 72 | 61183 | 21 |
| 7008 | 109 | 10908 | 80 | 11161 | 71 | 15054 | 53 | 21066 | 72 | 61184 | 21 |
| 7009 | 109 | 10909 | 79 | 11162 | 71 | 15104 | 34 | 21067 | 72 | 61185 | 21 |
| 7010 | 109 | 10910 | 79 | 11163 | 71 | 15158 | 27 | 21150 | 105 | 61191 | 11 |
| 7011 | 109 | 10910-AR | 79 | 11164 | 71 | 15159 | 26 | 21214 | 77 | 61192 | 11 |
| 7012 | 109 | 10911 | 80 | 11165 | 71 | 15163 | 28 | 30800 | 69 | 61206 | 21 |
| 7013 | 109 | 10912 | 79 | 11166 | 71 | 15167 | 28 | 30801 | 69, 92 | 61219 | 11 |
| 7014 | 109 | 10912-AR | 79 | 11167 | 71 | 15170 | 29 | 35189 | 82 | 61220 | 11 |
| 7015 | 109 | 10913 | 80 | 11170 | 71 | 15171 | 29 | 35190 | 82 | 61225 | 11 |
| 7016 | 109 | 10915 | 79 | 11171 | 71 | 15173 | 29 | 61002 | 11 | 61228 | 13 |
| 7017 | 109 | 10915-AR | 79 | 11172 | 71 | 15175 | 29 | 61006 | 20 | 61229 | 13 |
| 7080 | 109 | 10916 | 80 | 11173 | 71 | 15177 | 22 | 61007 | 21 | 61230 | 13 |
| 7081 | 109 | 10917 | 78 | 11318 | 95 | 15180 | 22 | 61027 | 26, 28 | 61231 | 13 |
| 8000 | 36 | 10918 | 78 | 11320 | 95 | 15181 | 22 | 61029 | 27 | 61308 | 11 |
| 8001 | 36 | 10920 | 80 | 11321 | 95 | 15182 | 22 | 61038 | 13 | 61308-S | 11 |
| 8002 | 36 | 10921 | 80 | 11322 | 95 | 15183 | 22 | 61060 | 20 | 61312 | 11 |
| 8003 | 36 | 10922 | 80 | 11323 | 95 | 15184 | 22 | 61066 | 20 | 61327 | 20 |
| 8004 | 36 | 10923 | 80 | 11324 | 95 | 15185 | 22 | 61074 | 15 | 61328 | 20 |
| 8005 | 36 | 10925 | 80 | 11325 | 95 | 15188 | 26 | 61075 | 15 | 61333 | 20 |
| 8006 | 36 | 10926 | 80 | 11326 | 95 | 15225 | 25 | 61076 | 15 | 61334 | 20 |
| 8007 | 36 | 10927 | 80 | 11327 | 95 | 15227 | 25 | 61085 | 98 | 70001 | 96 |
| 8008 | 36 | 10928 | 80 | 11328 | 95 | 15228 | 25 | 61086 | 98 | 70002 | 96 |
| 8009 | 36 | 10930 | 79 | 11329 | 95 | 15230 | 25 | 61087 | 98 | 70003 | 96 |
| 8010 | 36 | 10931 | 80 | 11330 | 95 | 15231 | 25 | 61088 | 98 | 70004 | 96 |
| 8011 | 36 | 10932 | 79 | 11331 | 95 | 15300 | 20 | 61089 | 98 | 70005 | 96 |
| 8012 | 36 | 10933 | 80 | 11332 | 95 | 15358 | 20 | 61090 | 98 | 70006 | 96 |
| 8013 | 36 | 10935 | 79 | 11333 | 95 | 15361 | 20 | 61091 | 98 | 70007 | 96 |
| 8014 | 36 | 10936 | 80 | 11334 | 95 | 15500 | 29 | 61092 | 98 | 70008 | 96 |
| 8015 | 36 | 10937 | 78 | 11335 | 95 | 15501 | 20 | 61093 | 98 | 70009 | 96 |
| 8016 | 36 | 10938 | 78 | 12305 | 74 | 21029 | 72 | 61094 | 98 | 70010 | 96 |
| 10645 | 90 | 10946 | 81 | 12315 | 74 | 21030 | 72 | 61095 | 98 | 70014 | 96 |
| 10656 | 90 | 10950 | 81 | 12325 | 74 | 21031 | 72 | 61128 | 15 | 70015 | 96 |
| 10681 | 90 | 10952 | 81 | 12335 | 74 | 21032 | 72 | 61129 | 15 | | |
| 10683 | 90 | 10956 | 81 | 12345 | 74 | 21033 | 72 | 61133 | 15, 27, 29 | B | |
| 10725 | 104 | 10957 | 81 | 14001 | 84 | 21034 | 72 | 61135 | 15, 27 | BR10 | 50 |
| 10726 | 104 | 10967 | 82 | 14002 | 22, 84 | 21035 | 72 | 61136 | 15, 27 | BRS10 | 50 |
| 10800 | 31 | 10968 | 82 | 15007 | 18 | 21036 | 72 | 61140 | 26 | | |
| 10804 | 31 | 10979 | 82 | 15008 | 18 | 21041 | 72 | 61141 | 26 | D | |
| 10808 | 35 | 10980 | 82 | 15009 | 18 | 21042 | 72 | 61142 | 15 | DC9 | 51 |
| 10811 | 35 | 10984 | 83 | 15010 | 18 | 21043 | 72 | 61146 | 15 | DH1 | 51 |
| 10812 | 35 | 10985 | 83 | 15011 | 18 | 21044 | 72 | 61148 | 15 | | |
| 10820 | 105 | 10987 | 83 | 15012 | 18 | 21045 | 72 | 61149 | 15 | E | |
| 10821 | 105 | 10989 | 83 | 15013 | 18 | 21046 | 72 | 61152 | 21 | EG03A | 16 |

INDEX

H

HB034 16

M

MS2000 48**MS2008WB** 48**MWB6** 16

P

PS10 50**PS15** 50**PT2640** 46

Q

QS40 38**QS50** 38**QS50M** 38**QS51** 38**QS52** 38**QS55** 41**QS60** 41**QS65** 36, 41**QS70** 38**QS71** 38**QS72** 41**QS73** 41**QS74** 41

R

RM36540U 47**RR15SET** 63**RS12** 50**RS15** 50

S

SB042 16**SC744** 47**SGSS** 55**SOS-****Backpack** 102**ST0314** 16

T

TR10 45**TRP48AH** 55**TRPSS** 55**TS27** 44**TS35** 44**TSP48AH** 55**TSPSS** 55**TT24** 45**TWC27** 45**TWC35** 45

W

WT2438 46**WW03644** 16**WW03844** 16

X

X1B01 107**X1B02** 107**X1B03** 107**X1B04** 107**X1B05** 107**X1B06** 107**X1B07** 107**X1T01** 107**X1T08** 107**X1T09** 107**X1T10** 107**X2B01** 107**X2B02** 107**X2B03** 107**X2B04** 107**X2B05** 107**X2B06** 107**X2003** 107**X2005** 107**X3B01** 107**X3B02** 107**X3B03** 107**X3B04** 107**X3B05** 107**X3T08** 107**X3T09** 107**X3T10** 107**X4B01** 107**X4B02** 107**X4B03** 107**X4B04** 107**X4B05** 107**X4B07** 107**X4T01** 107**X4T02** 107**X4T09** 107**X5B01** 107**X5B03** 107**X5B04** 107**X5B05** 107**X5003** 107**X5012** 107**X5T01** 107**X5T09** 107**X5T10** 107**X5W03** 107**X5W11** 107**X5W12** 107**X6B01** 107**X6B02** 107**X6B03** 107**X6B04** 107**X6B05** 107**X6C01** 107**X6C05** 107**X6C08** 107**X6C09** 107**X6C12** 107**X6W06** 107

Guardian Fall Protection

26609 79th Avenue South
Kent, WA 98032
(800) 466.6385 phone
(800) 670.7892 fax
www.guardianfall.com

Ed Marquardt
President
ed@guardianfall.com

Matt Vollmer
Vice President / Operations
matt@guardianfall.com

Tommy Lee
Training Manager
tommylee@guardianfall.com

Douglas Boehm
Training Instructor
doug@guardianfall.com



Qualcraft® Industries / Trojan Tools

60 Maple Street
Mansfield, MA 02048
(800) 231.5647 phone
(800) 257.6118 fax
www.qualcraft.com
www.wallwalker.com

Andrew Michelson
VP Sales / Marketing
amichelson@qualcraft.com

Frank Finlayson
Finance / Operations
ffinlayson@qualcraft.com

Ed Berzins
Inventory /
Purchasing Manager
eberzins@qualcraft.com



Engineered Services Group

667 Lakeview Plaza Blvd.
Suite F
Worthington, OH 43085
(614) 846.2525 phone
(866) 733.8170
www.guardianesg.com

Bradley Dillon
Vice President, Engineering
(360) 255.1609
bradleyd@guardianfall.com

Tony Young
Project Manager
tonyy@guardianfall.com

Brian Beaumont
Project Coordinator
brianb@guardianfall.com

Nathan Louws
Lead Design Engineer
nathanl@guardianfall.com

Stephanie Campagna
Design Engineer
stephaniec@guardianfall.com

Don Thompson
Engineered Solutions Specialist
Eastern U.S.
(614) 846.2525
dont@guardianfall.com

Julie Shoffner
Engineered Solutions Specialist
Western U.S.
(614) 846.2525
julies@guardianfall.com



contact

Customer Service

Vivian Craddick
Customer Service Manager
vivianc@guardianfall.com

Dan Usack
Technical Support
danu@guardianfall.com

Dawn Pollock
dawnp@guardianfall.com

Troy Mason
troym@guardianfall.com

Karen Taylor
ktaylor@qualcraft.com

Christine Stewart
cstewart@qualcraft.com

Diane Lombardo
sales@qualcraft.com

Nikkie Farrah
nfarrah@qualcraft.com

Marketing

Daniel Breyman
Marketing Communication
Manager
danielb@guardianfall.com

Anastassia Shelepov
Senior Designer
anastassia@guardianfall.com

Mike Arcari
Web Developer /
Usability Engineer
mikea@guardianfall.com

Field Support

Jasson Farrier
Vice President / Sales
jasson@guardianfall.com

Ken Hebert
National Sales Manager
(713) 480.4692
kenh@guardianfall.com

Sutton Maria Ignash
National Account Executive
(614) 846.2525
sutton@guardianfall.com

Amy Jack
Northwest Territory Manager
(253) 797. 3992
amyj@guardianfall.com

Cindy Kunitsugu
Northwest Account Manager
(206) 459.6918
cindyk@guardianfall.com

Nick Noble
Gulf Coast Territory Manager
(614) 571.6061
nickn@guardianfall.com

Jon Fickenworth
Midwest Territory Manager
(513) 446.8135
jonf@guardianfall.com

Scott Kingsbury
Account Manager
(614) 846.2525
scottk@guardianfall.com

Version: November, 2012