

Hardware Catalog

Drawer Slides | Shelving | Closet | Fixtures | TV Accessories



KNAP & VOGT®

Table of Contents



Drawer Slides4

For more than a century, we've studied and mastered the mechanics of motion hardware and drawer slides. We offer a wide variety of disconnects, extensions, movement designs, bearing options, and evolving choices for mounting, detent, finishes, and more. Our in-stock options are extensive with solutions at every price point and for every level of application duty.



Shelving and Storage62

Knape & Vogt's shelving hardware has been helping to store and support people's most important possessions for over a century. Standards, brackets, pilaster standards, clips, supports, and flanged brackets—we offer US-made solutions that range from elegant and decorative to oversized and heavy-duty.



Hardware and Storage Accessories90

Knape & Vogt is here to help you realize your cabinetry, storage, and woodworking projects—wherever they may take you. We've developed attractive and durable specialty hardware including: pulls, fasteners, catches, mirror clips, glass clips, door locks, and joint fasteners—in addition to the slides and functional hardware for which KV is famous.



Television Mounts and Swivels.110

Knape & Vogt offers products designed to complement contemporary television mounting and display trends, including wall brackets and flat panel TV lifts.

Product Index113

Knape & Vogt Return Policy114

Knape & Vogt's names and logos and all related trademarks, including series numbers (e.g., 85 and 185 series), trademarks and other intellectual property are the property of Knape & Vogt Manufacturing Company and cannot be used without its express prior written permission.



Drawer Slides

Specifying Knap & Vogt Drawer Slides 3
 Drawer Slide Reference and Application Matrices 4–6

Light-Duty Drawer Slides 7

1129 Drawer Slide 8
 1175 Drawer Slide 9
 1260/1265 Drawer Slides 10
 1275 Drawer Slides 11
 1284 Epoxy-Coated Drawer Slides 12
 1300/1305/1315/1375 Drawer Slides 13
 1805 Euro-Style Drawer Slides 14
 8300 Box Drawer Slide 15
 8350/8355/8357 Drawer Slides 16
 4400 Low Profile Full Extension Drawer Slide 17
 4430 Low Profile Full Extension Push-to-Open Drawer Slide 18
 4450 Low Profile Full Extension Soft-Close Drawer Slides 19

Medium Duty Drawer Slides 20

8400 Full Extension Box or File Drawer Slide 21–22
 8405 One Inch Over-travel Box or File Drawer Slide 23
 8407 Full Extension with Shelf Tabs Drawer Slide 24
 8414 Full Extension with Hold Out Drawer Slide 25
 8417/8419/8400RV Self-Closing Drawer Slides 26
 8430 Push-to-Open Drawer Slide 27
 8450FM/8455FM Soft-Close Drawer Slides 28

MuV Undermount Drawer Slides 29

MuV Full Extension Undermount Drawer Slide 30
 MuV34 Full Extension Undermount Drawer Slide 31
 MuV HD Heavy-Duty Full Extension Undermount Drawer Slide 32
 MuV34 HD Heavy-Duty Full Extension Undermount Drawer Slide 33
 MuV Metric Full Extension Undermount Drawer Slide 34

Heavy-Duty Drawer Slides 35

6500 Full Extension Box or File Drawer Slide 36
 6505 Over-Travel Box or File Slide with Quick Disconnect Rail 37
 8500/8505 File Drawer Slides 38
 8520/8525 Extra Heavy-Duty File or Lateral Drawer Slide 39
 8800 Heavy-Duty Full-Extension Drawer Slide 40
 8805 Heavy-Duty Over-Travel Drawer Slide 41
 8900 Extra Heavy-Duty Full-Extension Drawer Slide 42
 8908/8908/8910 Extra Heavy-Duty Locking Drawer Slide 43

Specialty Drawer Slides 44

6400 Stainless Steel Drawer Slide 45
 8000 Undermount Pantry Slide 46
 8500T/8505T/8520T/8525T Lateral File Drawer System 47

Overhead Door & Desk Slides 48

4461D 5/8 Variable Height Keyboard Slide 49
 8100 Keyboard Slide 50
 8150/8157 Variable-Height Keyboard Slides 51
 8200 Pencil or Center Drawer Slide 52
 8250 Variable-Height Pencil Drawer Slides 53
 8040, 8041, 8042, 8043, 8044, 8045 Hinged Door Slides 54
 8050 Hinged Door Slides 55

Door Slides & Hinge Kits 56

8070/8071/8072 Pivot Door Slide 57
 8080/8081/8082 Pivot Door Slides 58
 8091/8092 4x4 Pocket Door™ Slides 59
 4x4 Pocket Door™ Full Overlay Kit 60
 Salice Hinge Kits 61

How to Choose a Drawer Slide

Design Factors

Each drawer slide model has unique performance characteristics that are determined by the intended application for which it is designed. There are many different slides available for a variety of applications; choose the slide that best fits your application.

Length. Slide length is a key factor. Typically, the longer the slide, the less load it will carry and vice versa.

Travel. Travel is the maximum extension compared to the closed length. Most slides are either 3/4 or full travel. Special extension lengths are available with modified travel. In general, the longer the travel, the less load a slide can carry and vice versa.

- A 3/4 travel slide has extension to approximately 75% of its length.
- A full travel slide has extension approximately equal to its length.
- An over-travel slide extends beyond its length.

Width. Drawer width affects the rigidity of the installation. In wide drawers, the slides will rack from side to side. Excessive racking can degrade performance and shorten slide life.

Action. The type of mechanism used to carry the load affects slide performance, motion, noise, and the “fit and feel.” KV slides use rollers, ball bearings, friction fits, or any combination in achieving movement. In general, superior action requires more rollers or ball bearings to support and distribute large loads.

Size. In addition to a slide’s load rating, the physical size of the application is a consideration. Drawers having unusual width, depth, or height especially require careful consideration to determine which slide best suits the application.

Operating Clearance. Drawer slides operate within a specified clearance (the space between the drawer and the case). The clearance must be strictly held within the specified tolerances. When the clearance is too wide or too narrow, the slide will experience additional forces and stresses that will reduce its expected performance and life.

Case Goods Construction and Materials.

Slides perform better when mounted in rigidly constructed furniture. Construction with soft or thin materials often results in flexing. This causes the drawer to rack from side to side, placing considerable stress on the slides. Do not use drawer slides as support members carrying structural loads.

Application Factors

Location of Pull. The location of the drawer handle affects slide performance. Center pull positions are recommended because they permit a balanced pull force evenly carried by both slides. Side or edge pulls put more force directly on one slide than the other, causing the two slides to progress at different speeds. The additional force required to open and close the drawer hinders performance and shortens slide life.

Installation. Most slide designs require installation in a single position. Carefully study the application before installing the slides in different or abnormal positions.

1. **Orientation.** Slides should not be installed in an orientation other than for their intended usage. For example, a slide designed for side mounting may lose 75 percent or more of its load-carrying capacity if mounted flat underneath a drawer.
2. **Location.** Drawer construction, pull position, and type of load are all key considerations to determine the best location to fasten the slides.
3. **Balance.** Most slides are designed for use in pairs. For example, suspending a load from just one side (cantilevered load) causes excessive stress and may result in premature slide failure.

Fastening. For best performance, slides require proper fastening. Use the recommended fasteners in sufficient quantity to properly secure the slide. Too few fasteners can cause the slide to pull loose and cause damage. Abnormal fastening methods should be carefully evaluated, because methods such as gluing, riveting, or welding may have unanticipated effects.

Load Factors

Alignment. Slides run in a straight motion. The more precisely the slides are aligned, the less chance they will work against each other.

Load Ratings. KV designates drawer slides in “Pound Class” categories, and uses dynamic (rather than static) loading to determine load ratings.

The “Pound Class” categories are used within the slide industry as general guidelines for drawer slide selection. These categories are not the same as actual load ratings. Load ratings vary based on slide length, application, and case goods construction.

The categories provide a reference point in selecting which slide may fit a particular application. The Pound Class designations are not intended as a substitute for actual product testing. Proper slide selection may be significantly different from the Pound Class designation, depending on the application or other use factors.

Representative testing of the selected drawer slide in the fully configured application is the only way to assure proper performance, durability, and safety.

Static Loads. A static load is a resting load without any motion. Static load capacity is significantly higher than dynamic load capacity.

Dynamic Loads. A dynamic load is a load in motion. When a dynamic load gains momentum, it induces more stress and fatigue. Slides must withstand more forces when in motion than when still.

Dynamic loads affect the life and performance of any slide. Other load factors affecting performance are:

1. An evenly or unevenly distributed load
2. A centered or off-centered load
3. The load’s center-of-gravity relative to the slide’s centerline-of-travel
4. The number of cycles
5. The speed or frequency of cycles
6. The length of the cycle stroke
7. The percent of travel
8. The stopping force and distance

Abnormal Loads/Vibration.

Shipping, abusive loads, and impact loads — even in short duration — put large stresses on the slide and can cause immediate or premature failure. Excessive or continuous vibrations can also reduce slide performance and life.

Corrosion. Excessive humidity, salts, or other chemical agents can corrode the finish and attack metal or plastic components. The effects may be immediate, or they may develop over time.

Lubrication. Knapé & Vogt lubricates slides at the factory. However, contaminants such as dirt, filings, sawdust, paints, etc. can rapidly break down the effectiveness of the factory-applied lubricant.

Temperature. Extreme high or low temperatures can cause lubricants to thin or gel. Extreme temperatures caused by equipment such as finishing ovens can deteriorate a slide’s plastic and rubber components.

Finishing. Over-spray from stains, paints, varnishes, or other finishing agents may degrade the quality of a slide’s “fit and feel.” These types of chemical agents can also attack plastic, rubber, and metal slide components. It’s important to properly mask or otherwise protect installed slides before finishing furniture and cabinetry.

Proper slide specification and installation are keys to long and problem-free operation. To help you select the drawer slides best-suited to your specific applications, Knapé & Vogt offers a free consultation service. KV also offers a “no charge” testing service.

KV strongly recommends that manufacturers test representative samples of the complete application. Appropriate industry standards should be followed to assure proper performance, durability, and safety.

NOTE: Knapé & Vogt’s testing service does not include product cost nor freight cost to or from the KV test laboratory. Product is properly disposed of shortly after testing, unless otherwise requested.

Drawer Slides Quick Reference Guide

Page Number	Mounting Style	Load Class	Slide Type		Extension		Disconnect Type					Open/Close Features					V-Notch (Special Order)			
			Roller Bearing	Ball Bearing	Undermount	3/4 Extension	Full Extension	1" Over-Travel	No Disconnect	Friction Release	Lever Release	Lift Out	Quick Disconnect (QD RAIL)	Hold In Anti-Rebound	Hold Out/Open	Lock-In		Lock Open	Self-Close	Push-to-Open
Light Duty Slides																				
1129	8	Under	35	•		•			•											
1175	9	Under	50	•		•				•										
1260	10	Side	60	•		•				•		•								
1265	10	Side	60	•		•				•		•								•
1275	11	Side	60	•		•				•		•								
1284	12	Side	75	•		•				•		•								
1300	13	Side	75	•		•				•			•							
1305	13	Side	100	•		•				•			•							
1315	13	Side	75	•		•				•			•							•
1375	13	Side	75	•		•				•			•							
1805	14	Side	75	•		•				•		•			•	•				
8300	15	Side	75		•	•					•	•								
8350	16	Side	75	•		•				•		•								
8355	16	Side	75	•		•				•		•	•							
8357	16	Side	75	•		•				•		•	•						•	
4400	17	Side	65	•		•		•		•		•								
4430	18	Side	65	•		•				•							•			
4450	19	Side	65	•		•				•							•			
Medium Duty Slides																				
8400	22	Side	100	•		•				•		•								
8405	23	Side	90	•		•		•		•		•								
8407	24	Side	100	•		•				•		•							•	
8414	25	Side	100	•		•				•		•	•							
8417	26	Side	100	•		•				•		•				•				
8419	26	Side	90	•		•		•		•		•				•				
8400RV	26	Side	100	•		•				•		•				•				
8430	27	Side	100	•		•				•		•					•			
8450FM	28	Side	100	•		•				•		•				•			•	
8455FM	28	Side	90	•		•		•		•		•				•			•	
MuV	30	Under	75		•	•				•		•				•			•	
MuV34	31	Under	75		•	•				•		•				•			•	
MuV HD	32	Under	120		•	•				•		•				•			•	
MuV34 HD	33	Under	120		•	•				•		•				•			•	
MuV Metric	34	Under	34kg		•	•				•		•				•			•	
Heavy Duty Slides																				
6500	36	Side	125	•		•				•		•								
6505	37	Side	125	•		•		•		•		•								
8500	38	Side	150	•		•				•		•								
8505	38	Side	150	•		•		•		•		•								
8520	39	Side	175	•		•				•		•								
8525	39	Side	175	•		•		•		•		•								
8800	40	Side	200	•		•				•		•								
8805	41	Side	200	•		•				•		•								
8900	42	Side	150-500	•		•			•			•								
8908	43	Side	150-500	•		•			•					•	•					
8909	43	Side	150-500	•		•			•						•					
8910	43	Side	150-500	•		•			•					•						
Specialty Slides																				
6400	45	Side	75	•		•				•		•								
8000	46	Under	130	•		•		•		•		•								
8500T	47	Side	150	•		•				•		•								
8505T	47	Side	150	•		•		•		•		•								
8520T	47	Side	175	•		•				•		•								
8525T	47	Side	175	•		•		•		•		•								
4461D	49	Under	75	•		•				•		•								
8100	50	Under	75	•		•			•			•	•							
8150	51	Under	75	•		•				•		•	•							
8157	51	Under	75	•		•				•		•	•							
8200	52	Under	75	•		•				•		•								
8250	53	Under	75	•		•				•		•								



Light-Duty Drawer Slides

1129 Under-drawer Slide	8
1175 Under-drawer Slide	9
1260 3/4 Extension Drawer Slide	10
1265 3/4 Extension Drawer Slide	10
1275 3/4 Extension Drawer Slide	11
1284 3/4 Extension Drawer Slide	12
1300 3/4 Extension Drawer Slide	13
1305 3/4 Extension Drawer Slide	13
1315 3/4 Extension Drawer Slide	13
1375 3/4 Extension Drawer Slide	13
1805 3/4 Extension Euro-Style Drawer Slide	14
8300 3/4 Extension Box Drawer Slide	15
8350 3/4 Extension Box Drawer Slide	16
8355 3/4 Extension Box Drawer Slide	16
8357 3/4 Extension Box Drawer Slide	16
4400 Low Profile Drawer Slide	17
4430 Push-to-Open Drawer Slide	18
4450 Soft-Close Drawer Slide	19

	Mounting Style	Load Class	Type	Extension	Disconnect Type					Open/Close Features										
			Roller Bearing	Ball Bearing	3/4 Extension	Full Extension	1" Over-Travel	No Disconnect	Friction Release	Lever Release	Lift Out	Quick Disconnect	Hold In Anti-Rebound	Hold Out / Open	Lock Open	Self-Close	Push-to-Open	Soft-Close	Shelf Tabs	V-Notch Special Order
1129	Under	35		•	•				•											
1175	Under	50	•		•						•									
1260	Side	60			•					•			•							
1265	Side	60			•					•			•							•
1275	Side	60			•						•		•							
1284	Side	75			•						•		•							
1300	Side	75			•					•				•						
1305	Side	100			•									•						
1315	Side	75			•					•			•							•
1375	Side	75			•						•		•							
1805	Side	75			•						•		•	•	•	•				
8300	Side	75		•	•							•	•							
8350	Side	75		•	•					•			•							
8355	Side	75		•	•					•			•	•						
8357	Side	75		•	•					•			•	•						•
4400	Side	65		•		•				•			•							
4430	Side	65		•		•				•			•				•			
4450	Side	65		•		•				•			•					•		

1129 3/4 Extension Under Drawer Slide

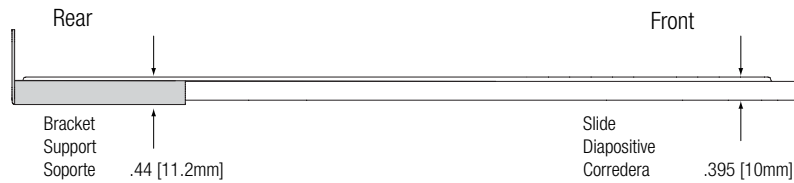
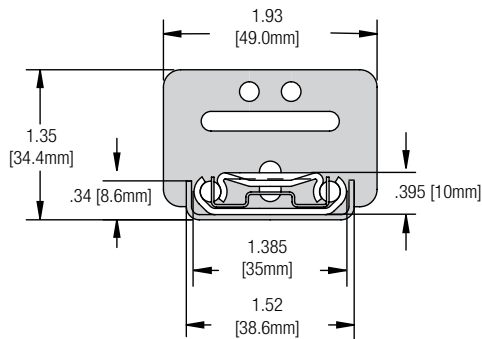


Features

- Ball-bearing movement
- Friction disconnect

Mounting: Under drawer
 Action: Ball bearing
 Load rating: 35-pound class
 Height: 0.395 inches
 Clearance: 1/2" + 1/32" – 0" on each side
 Finish: Zinc (ZC)

Profile:



Configurations

Poly (P)	1 set per bag; 10 sets per carton - with screws
----------	---

1129 Zinc (ZC) Finish	
Size	Poly (P)
12 inch	1129P ZC 12
14 inch	1129P ZC 14
16 inch	1129P ZC 16
18 inch	1129P ZC 18
20 inch	1129P ZC 20
22 inch	1129P ZC 22
24 inch	1129P ZC 24

1175 3/4 Extension Under Drawer Slide



Features

- Mounts with staples or screws
- Drawers lift out for easy removal

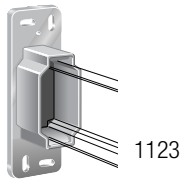
Mounting: Under drawer
 Action: Rollers
 Load rating: 50-pound class
 Height: 1 inches
 Finish: Zinc (ZC)

Configurations


Bulk (B)	50 sets per carton - no screws
Poly (P)	1 set per bag; 10 sets per carton - with screws

1175 Zinc (ZC) Finish		
Size	Bulk (B)	Poly (P)
18 inch	-	1175P ZC 18
20 inch	-	1175P ZC 20
22 inch	1175B ZC 22	-
22-5/8 inch	1175B ZC 24	1175P ZC 24
24 inch	-	1175P ZC 24

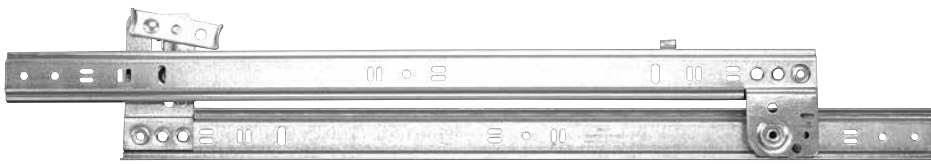
Mounting Brackets



Product	Pack
1123 PLAS	500 per carton

Recommended Fasteners		KV Part	Finish	Qty
	#6 x 1/2" Phillips Pan head	200106-5	Zinc (ZC)	1000

1260, 1265 3/4 Extension Drawer Slides

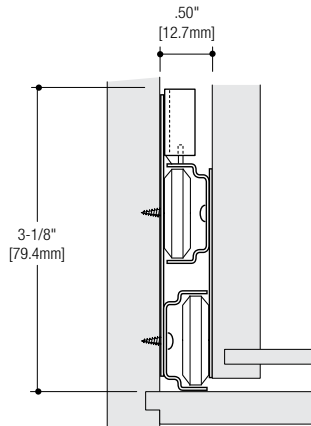


Features

- Positive stop
- Rollers operate on ball bearings
- Lever disconnect

1260: 3/4 extension slide
 1265: 3/4 extension V-Notch wraparound drawer slide
 Mounting: Side mount
 Action: Ball bearing rollers
 Load rating: 60-pound class
 Height: 3-1/8 inches
 Clearance: 1/2" + 1/32" – 0" on each side
 Finish: Almond (ALM), Brown (BRN), Zinc (ZC)

Profile:



Configurations

Bulk (B)	10 sets per carton - no screws
Poly (P)	1 set per bag; 10 sets per carton - with screws
Quantity (Q)	50 sets per carton; multiple cartons - no screws

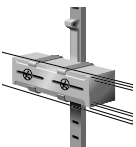
1260 Brown (BRN) Finish		
Size	Bulk (B)	Poly (P)
12 inch	1260B BRN 12	–
14 inch	1260B BRN 14	–
16 inch	1260B BRN 16	–
18 inch	1260B BRN 18	–
20 inch	1260B BRN 20	–
22 inch	1260B BRN 22	–
24 inch	1260B BRN 24	–

1260 Zinc (ZC) Finish		
Size	Bulk (B)	Poly (P)
12 inch	1260B 12	1260P 12
14 inch	1260B 14	1260P 14
16 inch	1260B 16	1260P 16
18 inch	1260B 18	1260P 18
20 inch	1260B 20	1260P 20
22 inch	1260B 22	1260P 22
24 inch	1260B 24	1260P 24

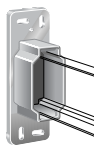
1260 Combinations		
Size	Product	Finish
18 inch x 19-3/4 inch	1260BSW18001975	Zinc (ZC)
18 inch x 20 inch	1260BSW18002000	Zinc (ZC)
18 inch x 22-3/4 inch	1260BSW20002275	Zinc (ZC)
18 inch x 20 inch	1260K ALM 18X20	Almond (ALM)
18 inch x 20 inch	1260K BRN 18X20	Brown (BRN)
18 inch x 22-3/4 inch	1260KBN2022-3/4	Brown (BRN)

1265 Slides Quantity (Q) Pack	
Size	1265 Zinc (ZC)
12 inch	1260Q ZC 12
14 inch	1260Q ZC 14
16 inch	1260Q ZC 16
18 inch	1260Q ZC 18
20 inch	1260Q ZC 20
22 inch	1260Q ZC 22
24 inch	1260Q ZC 24

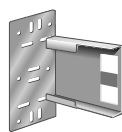
Mounting Brackets



1303
Vertically Adjustable
Side Mounting Bracket




1123 PLAS
Plastic Rear
Mounting Bracket



1304
Metal Rear
Mounting Bracket

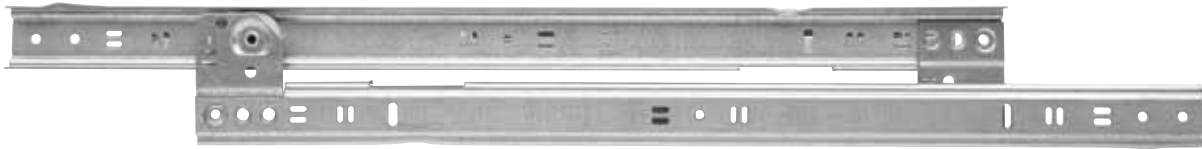
Product	Pack
1303	100 per carton
1123 PLAS	500 per carton
1304	100 per carton

Recommended Fasteners		KV Part	Finish	Qty
	#7 x 3/32" Phillips Pan head	1300-83	Zinc (ZC)	1000

☐ Non-stock item – minimum order quantities and additional lead time may apply.

- Optional bracket used with pilaster strips (KV# 255, 233) mounted within the cabinet.
- Allows slide to be adjusted vertically when changes in drawer height are necessary.
- For use with combination length slides.

1275 3/4 Extension Drawer Slide

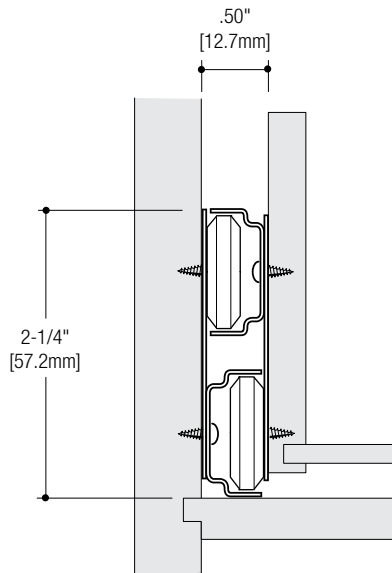


Features

- Stay close design
- Lift out disconnect
- Rollers operate on ball bearings

Mounting: Side mount
 Action: Ball bearing rollers
 Load rating: 60-pound class
 Height: 2-1/4 inches
 Clearance: 1/2" + 1/32" – 0" on each side
 Finish: Zinc (ZC)


Profile:



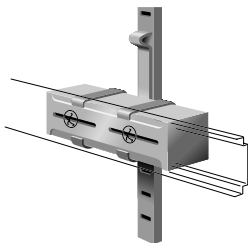
Configurations

Quantity (Q)	50 sets; multiple cartons - no screws
--------------	---------------------------------------

1275 Quantity (Q)	
Size	Quantity (Q)
14 inch	1275Q 14
16 inch	1275Q 16
18 inch	1275Q 18
20 inch	1275Q 20
22 inch	1275Q 22

Recommended Fasteners	KV Part	Finish	Qty
 #7 x 3/32" Phillips Pan head	1300-83	Zinc (ZC)	1000

Mounting Brackets



1303
 Vertically Adjustable
 Side Mounting Bracket

- Optional bracket used with pilaster strips (KV# 255, 233) mounted within the cabinet.
- Allows slide to be adjusted vertically when changes in drawer height are necessary.

Product	Pack
1303	100 per carton

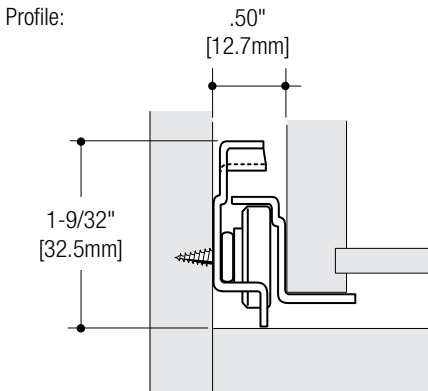
1284 Epoxy Coated Drawer Slide



Features

- Positive stop
- Stay close design
- Lift out disconnect

Mounting: Side mount
 Action: Ball bearing rollers
 Load rating: 75-pound class
 Height: 1-9/32 inches
 Clearance: 1/2" + 1/32" – 0" on each side
 Finish: Almond (ALM), Brown (BRN), White (WH)

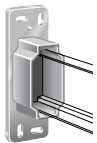


Configurations

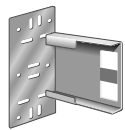
Bulk (B)	10 sets per carton - no screws
Poly (P)	1 set per bag; 10 sets per carton - with screws
Quantity (Q)	50 sets per carton; multiple cartons - no screws

1284 Almond (ALM) Finish			
Size	Bulk (B)	Poly (P)	Quantity (Q)
300 mm	1284B ALM 300	1284Q ALM 300	1284Q ALM 300
350 mm	1284B ALM 350	1284Q ALM 350	1284Q ALM 350
400 mm	1284B ALM 400	1284Q ALM 400	1284Q ALM 400
450 mm	1284B ALM 450	1284Q ALM 450	1284Q ALM 450
500 mm	1284B ALM 500	1284Q ALM 500	1284Q ALM 500
550 mm	1284B ALM 550	1284Q ALM 550	1284Q ALM 550
600 mm	1284B ALM 600	1284Q ALM 600	1284Q ALM 600
650 mm	1284B ALM 650	1284Q ALM 650	1284Q ALM 650
1284 Brown (BRN) Finish			
300 mm	–	–	1284Q BRN 300
350 mm	–	–	1284Q BRN 350
400 mm	–	–	1284Q BRN 400
450 mm	–	–	1284Q BRN 450
500 mm	–	–	1284Q BRN 500
550 mm	–	–	1284Q BRN 550
600 mm	–	–	1284Q BRN 600
650 mm	–	–	1284Q BRN 650
1284 White (WH) Finish			
300 mm	1284B WH 300	1284Q WH 300	1284Q WH 300
350 mm	1284B WH 350	1284Q WH 350	1284Q WH 350
400 mm	1284B WH 400	1284Q WH 400	1284Q WH 400
450 mm	1284B WH 450	1284Q WH 450	1284Q WH 450
500 mm	1284B WH 500	1284Q WH 500	1284Q WH 500
550 mm	1284B WH 550	1284Q WH 550	1284Q WH 550
600 mm	1284B WH 600	1284Q WH 600	1284Q WH 600
650 mm	1284B WH 650	1284Q WH 650	1284Q WH 650

Mounting Brackets



1123 PLAS
Plastic Rear
Mounting Bracket



1304
Metal Rear
Mounting Bracket

Product	Pack	Handed
1123 PLAS	500 per carton	–
1284LB-4R	500 brackets per carton	Right
1284LB-4L	500 brackets per carton	Left
1284-4R	200 brackets per carton	Right
1284-4L	200 brackets per carton	Left
1284HP-4R	4 bags of 25	Right
1284HP-4L	4 bags of 25	Left
1284-4WP	25 brackets per carton	Both

Recommended Fasteners	KV Part	Finish	Qty
	#6 x 7/16" Phillips Pan head	1284-80	Zinc (ZC) 1000
	#6 x 5/8" Phillips Pan head	8100-93 ZC	Zinc (ZC) 1000

☐ Non-stock item – minimum order quantities and additional lead time may apply.

1300, 1305, 1315, 1375 3/4 Extension Drawer Slides

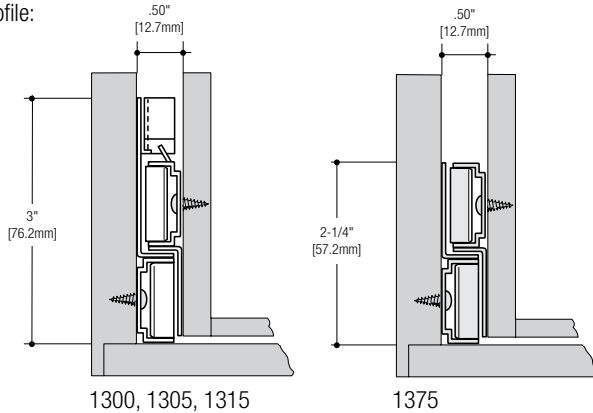


Features

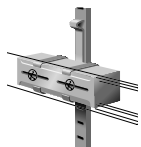
- Positive stop lever
- Stay close design

1300: 3/4 extension slide
 1305: 3/4 extension slide
 1315: 3/4 extension V-notch wraparound drawer slide
 1375: 3/4 extension self-closing V-notch wraparound slide
 Mounting: Side mount
 Action: Ball bearing rollers
 Load rating: 75-pound class: 1300, 1315, 1375
 100-pound class: 1305
 Height: 3 inches: 1300, 1305, 1315
 2-1/4 inches: 1375
 Clearance: 1/2" + 1/32" – 0" on each side
 Finish: Almond (ALM), White (WH), Zinc (ZC)

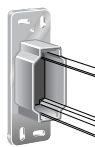
Profile:



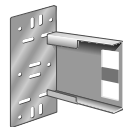
Mounting Brackets



1303
Vertically Adjustable
Side Mounting Bracket



1123 PLAS
Plastic Rear
Mounting Bracket



1304
Metal Rear
Mounting Bracket

Product	Pack
1303	100 per carton
1123 PLAS	500 per carton
1304	100 per carton

Configurations

Bulk (B)	10 sets per carton - no screws
Poly (P)	1 set per bag; 10 sets per carton - with screws

1300 Almond (ALM) Finish		
Size	Bulk (B)	Poly (P)
12 inch	1300B ALM 12	–
14 inch	1300B ALM 14	–
16 inch	1300B ALM 16	–
18 inch	1300B ALM 18	–
20 inch	1300B ALM 20	–
22 inch	1300B ALM 22	–
1300 White (WH) Finish		
14 inch	1300B WH 14	–
16 inch	1300B WH 16	–
18 inch	1300B WH 18	–
20 inch	1300B WH 20	–
22 inch	1300B WH 22	–
1300 Zinc (ZC) Finish		
12 inch	1300B ZC 12	1300P ZC 12
14 inch	1300B ZC 14	1300P ZC 14
16 inch	1300B ZC 16	1300P ZC 16
18 inch	1300B ZC 18	1300P ZC 18
20 inch	1300B ZC 20	1300P ZC 20
22 inch	1300B ZC 22	1300P ZC 22
24 inch	1300B ZC 24	1300P ZC 24
26 inch	1300B ZC 26	1300P ZC 26
28 inch	1300B ZC 28	1300P ZC 28
1300 Combinations Zinc (ZC) Finish		
Size	Product	
18 x 20 inch	1300BSW18002000	
20 x 22 inch	1300BSW20002200	
20 x 22-3/4 inch	1300BSW20002275	
Special Order Slides Zinc (ZC) Finish		
Product	Bulk (B)	
1305	Special Order	
1315	Special Order	
1375	Special Order	

Recommended Fasteners		KV Part	Finish	Qty
	#7 x 1/2" Phillips Pan head	8500-93	Zinc (ZC)	1000
		8500-93 EB	Ebony Black (EB)	1000

☐ Non-stock item – minimum order quantities and additional lead time may apply.

1805 Epoxy Coated Drawer Slide

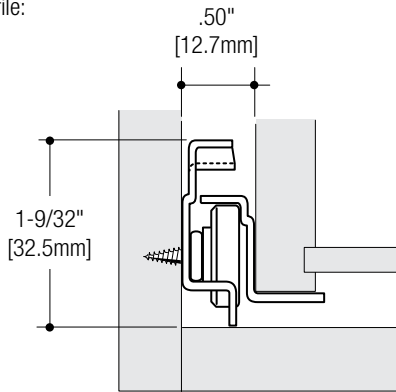


Features

- 32mm mounting hole pattern
- Lift out disconnect
- Shelf close design

Mounting: Side mount
 Action: Rollers
 Load rating: 75-pound class
 Height: 35.5 mm
 Clearance: 12.7 mm + 0.8 mm – 0 mm on each side
 Finish: Almond (ALM), Cream White (CW), White (WH)

Profile:

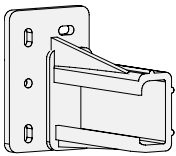


Configurations

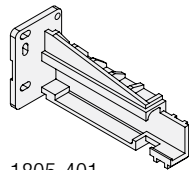
Hefty (H)	1 set per bag; 20 sets per carton - with screws
Quantity (Q)	100 sets per carton; multiple cartons - no screws
Taped Pair (T)	1 set taped together; 20 sets per cartons - no screws

1805 Almond (ALM) Finish			
Size	Hefty (H)	Quantity (Q)	Taped Pair (T)
300 mm	–	1805Q ALM 300	1805T ALM 300
350 mm	–	1805Q ALM 350	1805T ALM 350
400 mm	–	1805Q ALM 400	1805T ALM 400
450 mm	–	1805Q ALM 450	1805T ALM 450
500 mm	–	1805Q ALM 500	1805T ALM 500
550 mm	–	1805Q ALM 550	1805T ALM 550
600 mm	–	1805Q ALM 600	1805T ALM 600
1805 Cream White (CW) Finish			
300 mm	1805H CW 300	–	1805T CW 300
350 mm	1805H CW 350	–	1805T CW 350
400 mm	1805H CW 400	–	1805T CW 400
450 mm	1805H CW 450	–	1805T CW 450
500 mm	1805H CW 500	–	1805T CW 500
550 mm	1805H CW 550	–	1805T CW 550
600 mm	1805H CW 600	–	1805T CW 600
1805 White (WH) Finish			
300 mm	1805H WH 300	1805Q WH 300	1805T WH 300
350 mm	1805H WH 350	1805Q WH 350	1805T WH 350
400 mm	1805H WH 400	1805Q WH 400	1805T WH 400
450 mm	1805H WH 450	1805Q WH 450	1805T WH 450
500 mm	1805H WH 500	1805Q WH 500	1805T WH 500
550 mm	1805H WH 550	1805Q WH 550	1805T WH 550
600 mm	1805H WH 600	1805Q WH 600	1805T WH 600

Mounting Brackets




1805-101
 Left and right
 handed sockets
 (2-3/8" socket)

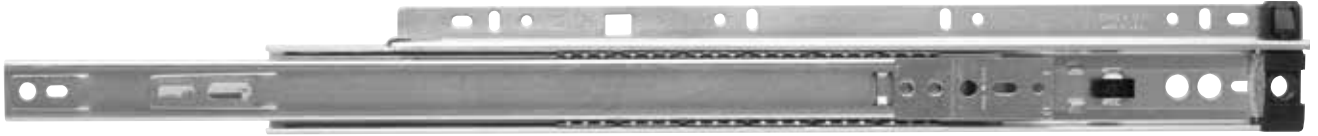


1805-401
 Left and right
 handed sockets
 (4" socket)

Product	Pack	Handed
1805-101L BP	50 per carton	Left
1805-101R BP	50 per carton	Right
1805-401L BP	50 per carton	Left
1805-401R BP	50 per carton	Right

Recommended Fasteners	KV Part	Finish	Qty
 #6 x 7/16" Phillips Flathead	1284-80	Zinc (ZC)	1000

8300 3/4 Extension Quick Disconnect Rail Box Drawer Slide

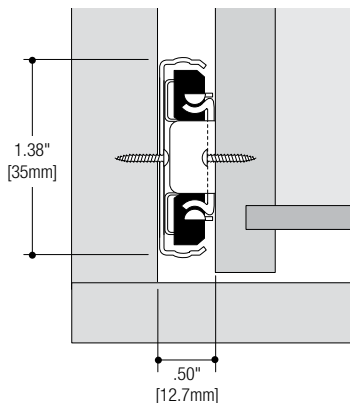


Features

- 32mm mounting hole pattern
- Non-handed quick disconnect drawer members

Mounting: Side mount
 Action: Ball bearing
 Load rating: 75-pound class
 Height: 2" (includes quick disconnect rails)
 Clearance: 1/2" + 1/32" – 0" on each side
 Finish: Anochrome (ANO), Ebony Black (EB)


Profile:



Configurations

Poly (P)	1 set per bag; 10 sets per carton - with screws
Quantity (Q)	20 sets per carton; multiple cartons - no screws

8300 Anochrome (ANO) Finish		
Size	Poly (P)	Quantity (Q)
12 inch	8300P 12	–
14 inch	8300P 14	8300Q 14
16 inch	8300P 16	8300Q 16
18 inch	8300P 18	8300Q 18
20 inch	8300P 20	8300Q 20
22 inch	8300P 22	8300Q 22
24 inch	8300P 24	8300Q 24
8300 Ebony Black (EB) Finish		
16 inch	–	8300Q EB 16
18 inch	–	8300Q EB 18
20 inch	–	8300Q EB 20
22 inch	–	8300Q EB 22

Recommended Fasteners		KV Part	Finish	Qty
	#7 x 1/2" Phillips Pan head	8500-93	Zinc (ZC)	1000
		8500-93 EB	Ebony Black (EB)	1000

8350, 8355, 8357 3/4 Extension Drawer Slides

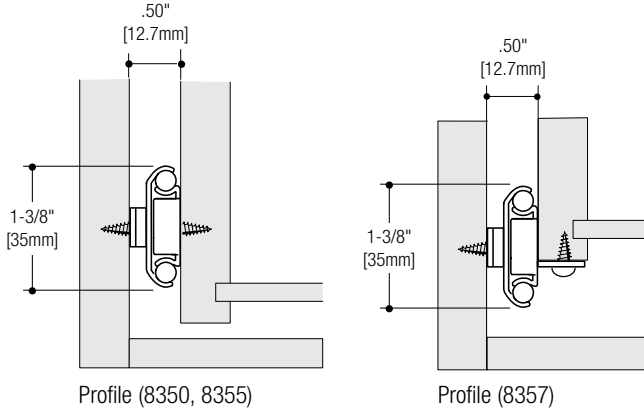


Features

- 32mm mounting hole pattern
- Lever disconnect permits easy drawer removal
- Non handed design

8350: 3/4 extension drawer slide
 8355: Drawer slide with hold-open feature
 8357: Drawer slide with shelf tabs and hold-open feature
 Mounting: Side mount
 Action: Ball bearing movement
 Load rating: 75-pound class
 Height: 1-3/8"
 Clearance: 1/2" + 1/32" – 0" on each side
 Finish: Anochrome (ANO), Ebony Black (EB)

Profile:



Configurations

Bulk (B)	10 sets per carton - no screws
Quantity (Q)	20 sets per carton; multiple cartons - no screws

8350 Anochrome (ANO) Finish		
Size	Bulk (B)	Quantity (Q)
12 inch	8350B 12	–
14 inch	8350B 14	–
16 inch	8350B 16	–
18 inch	8350B 18	–
20 inch	8350B 20	–
22 inch	8350B 22	–
24 inch	8350B 24	–
26 inch	8350B 26	–
28 inch	8350B 28	–
30 inch	8350B 30	–

8350 Ebony Black (EB) Finish		
12 inch	8350B EB 12	8350Q EB 12
14 inch	8350B EB 14	8350Q EB 14
16 inch	8350B EB 16	8350Q EB 16
18 inch	8350B EB 18	8350Q EB 18
20 inch	8350B EB 20	8350Q EB 20
22 inch	8350B EB 22	8350Q EB 22
24 inch	8350B EB 24	8350Q EB 24
26 inch	8350B EB 26	8350Q EB 26
28 inch	8350B EB 28	8350Q EB 28
30 inch	8350B EB 30	8350Q EB 30

8355 Anochrome (ANO) Finish		
12 inch	8355B 12	8355Q 12
14 inch	8355B 14	8355Q 14
16 inch	8355B 16	8355Q 16
18 inch	8355B 18	8355Q 18
20 inch	–	8355Q 20

8355 Ebony Black (EB) Finish		
12 inch	–	8355Q EB 12
14 inch	–	8355Q EB 14
16 inch	–	8355Q EB 16
18 inch	–	8355Q EB 18
20 inch	–	8355Q EB 20

8357 Anochrome (ANO) Finish		
14 inch	–	8357Q 14
16 inch	–	8357Q 16
18 inch	–	8357Q 18
20 inch	–	8357Q 20

Recommended Fasteners	KV Part	Finish	Qty
#7 x 1/2" Phillips Pan head	8500-93	Zinc (ZC)	1000

☐ Non-stock item – minimum order quantities and additional lead time may apply.

4400 Low Profile Full Extension Drawer Slide

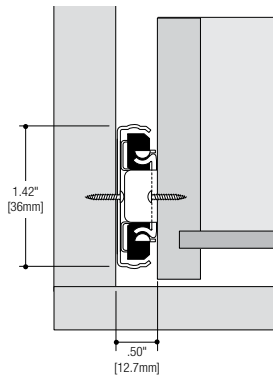


Features

- Lever release
- Hold-in detent
- Recommended maximum drawer width is 24 inches

Mounting: Side mount
 Action: Telescopic movement on ball bearings
 Load rating: 65-pound class
 Height: 1-13/32" (36 mm)
 Clearance: 1/2" + 1/32" – 0" on each side
 Finish: Zinc (ZC)


Profile:



Configurations

Bulk (B)	10 sets per carton - no screws
----------	--------------------------------

4400 Zinc (ZC) Finish	
Size	Bulk (B)
10 inch (250 mm)	4400B 10
12 inch (300 mm)	4400B 12
14 inch (350 mm)	4400B 14
16 inch (400 mm)	4400B 16
18 inch (450 mm)	4400B 18
20 inch (500 mm)	4400B 20
22 inch (550 mm)	4400B 22
24 inch (600 mm)	4400B 24
26 inch (650 mm)	4400B 26
28 inch (700 mm)	4400B 28

Recommended Fasteners	
	#6 x 1/2" Truss Head

Mounting Brackets



4101B
Rear mounting bracket



4104B
Front face frame bracket

- Non-handed snap-on design

Product	Pack
4101B	20 per carton
4104B	20 per carton

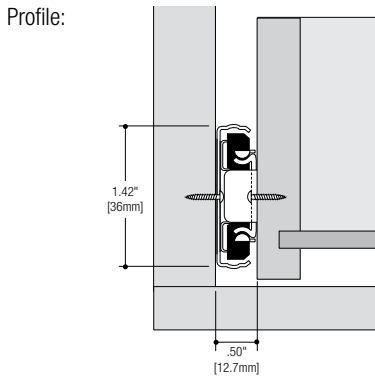
4430 Low Profile Push-to-Open Full Extension Drawer Slide



Features

- Lever release
- Push-to-open module
- Recommended maximum drawer width is 24 inches


Mounting: Side mount
 Action: Telescopic movement on ball bearings
 Load rating: 65-pound class
 Height: 1-13/32" (36 mm)
 Clearance: 1/2" + 1/32" – 0" on each side
 Finish: Zinc (ZC)



Configurations

Bulk (B)	10 sets per carton - no screws
----------	--------------------------------

4430 Zinc (ZC) Finish	
Size	Bulk (B)
10 inch (250 mm)	4430B 10
12 inch (300 mm)	4430B 12
14 inch (350 mm)	4430B 14
16 inch (400 mm)	4430B 16
18 inch (450 mm)	4430B 18
20 inch (500 mm)	4430B 20
22 inch (550 mm)	4430B 22
24 inch (600 mm)	4430B 24

Recommended Fasteners	
	#6 x 1/2" Truss Head

Mounting Brackets



4101B
Rear mounting bracket



4104B
Front face frame bracket

- Non-handed snap-on design

Product	Pack
4101B	20 per carton
4104B	20 per carton

4450 Low Profile Soft-Close Full Extension Drawer Slide

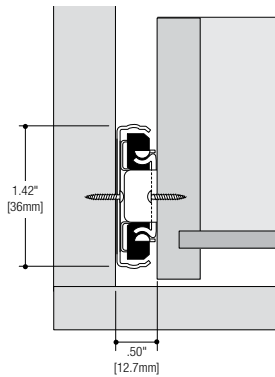


Features

- Lever release
- Soft-close module
- Recommended maximum drawer width is 24 inches

Mounting: Side mount
 Action: Soft-close
 Load rating: 65-pound class
 Height: 1-13/32" (36 mm)
 Clearance: 1/2" + 1/32" – 0" on each side
 Finish: Zinc (ZC)

Profile:



Configurations

Bulk (B)	10 sets per carton - no screws
----------	--------------------------------

4450 Zinc (ZC) Finish	
Size	Bulk (B)
10 inch (250 mm)	4450B 10
12 inch (300 mm)	4450B 12
14 inch (350 mm)	4450B 14
16 inch (400 mm)	4450B 16
18 inch (450 mm)	4450B 18
20 inch (500 mm)	4450B 20
22 inch (550 mm)	4450B 22
24 inch (600 mm)	4450B 24

Recommended Fasteners

	#6 x 1/2" Truss Head
---	----------------------

Mounting Brackets



4101B
Rear mounting bracket



4104B
Front face frame bracket

- Non-handed snap-on design

Product	Pack
4101B	20 per carton
4104B	20 per carton



Medium Duty Drawer Slides

8400 Full Extension Box or File Drawer Slide 22

8405 One Inch Over-travel Box or File Drawer Slide 23

8407 Drawer Slide 24

8414 Precision Drawer Slide 25

8417 Self-Closing Precision Drawer Slides 26

8419 Self-Closing Precision Drawer Slides 26

8400RV Self-Closing Precision Drawer Slides 26

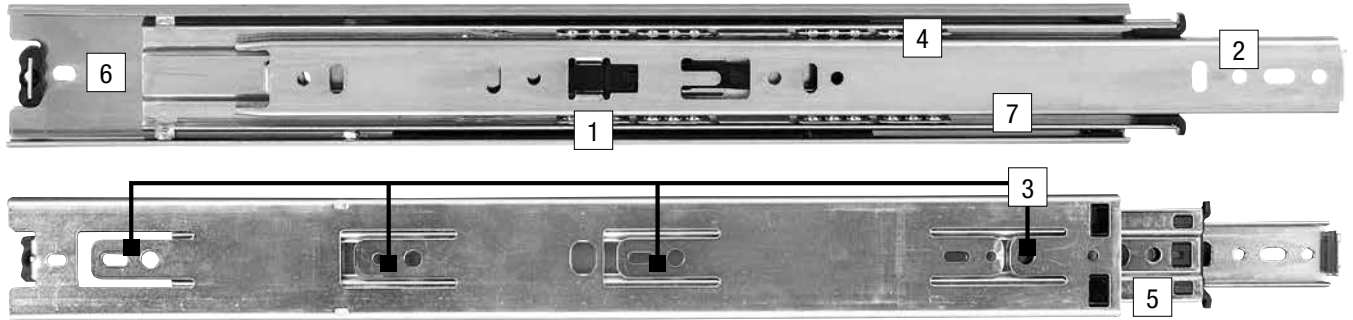
8430 Push-to-Open Drawer Slide 27

8450FM Soft-Close Drawer Slides 28

8455FM Soft-Close Drawer Slides 28

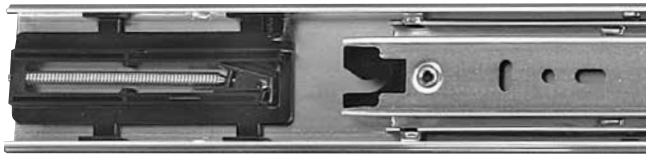
	Mounting Style	Load Class	Holler Bearing	Ball Bearing	3/4 Extension	Full Extension	1" Over-Travel	No Disconnect	Friction Release	Lever Release	Lift Out	Quick Disconnect	Open/Close Features					
													Hold In Anti-Rebound	Hold Out / Open	Lock Open	Self-Close	Push-to-Open	Soft-Close
8400	Side	100	•	•					•				•					
8405	Side	90	•				•			•			•					
8407	Side	100	•	•					•				•					•
8414	Side	100	•	•					•				•	•				
8417	Side	100	•	•					•				•					•
8419	Side	90	•				•		•				•					•
8400RV	Side	100	•	•					•				•					•
8430	Side	100	•	•					•									•
8450FM	Side	100	•	•					•				•					•
8455FM	Side	90	•				•		•				•					•

8400 Series Drawer Slides



1. Push-in button for drawer disconnect is ergonomically designed for easy drawer removal.
2. Traditional and 32mm hole pattern supports industry standards for safely fastening slide in place.
3. Reversed flex tabs allow improved slide performance with side clearance tolerance adjustments.
4. Rolled ball bearing raceway allows lateral loads to be carried by ball bearings and not transferred to bushings sliding on metal.
5. Mounting hole is provided for face frame applications to eliminate the need for a separate bracket.
6. Access holes allow for drawer adjustments at full extension without removing drawer.
7. Lacquer finish provides superior corrosion resistance.

Self-Close Series Drawer Slides



Self-close slides use spring technology to close a drawer.

Models and Descriptions:

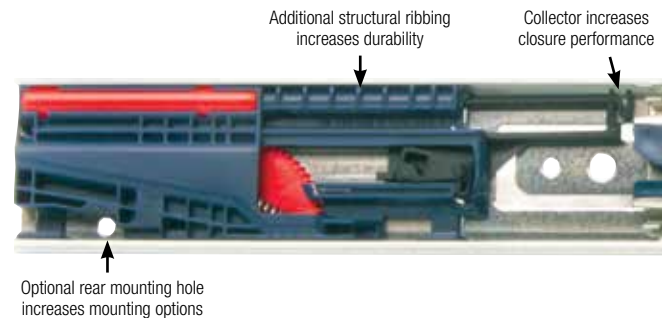
- 8417 — Self-closing full extension
- 8419 — Self-closing 1" over-travel drawer slide
- 8400RV — Heavy-duty self-closing full extension drawer slide

Features and Benefits:

- Self-close feature assist with the closing of a drawer and is fully integrated into the slide.
- RV version has stronger springs to ensure closure in mobile applications.

8450FM Soft-Close Drawer Slide

The new KV8450FM Series is a step forward in side-mounted ball-bearing drawer slides. The KV8450FM series incorporates state-of-the-art soft-close technology. The fully integrated Soft-close module brings drawer box to a smooth, quiet and secure closure.



8450FM Series Features and Benefits

- Patented KV design incorporates dampening cylinder with balanced spring technology
- Soft-close module is fully integrated into an KV8400 style slide with same side clearance allowing cabinet makers to migrate directly to KV8450FM series products with no set up changes
- Exceeds KCMA, BHMA and BIFMA standards of performance: over 50,000 cycles including the soft-close module

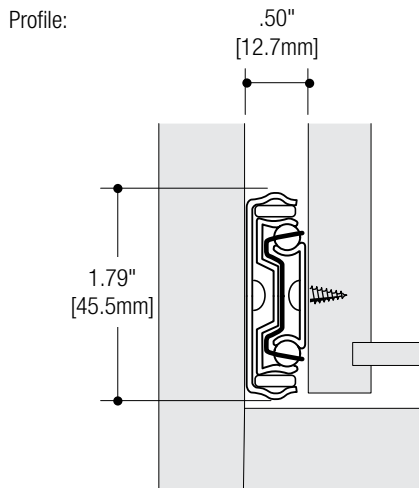
8400 Full Extension Box or File Drawer Slide



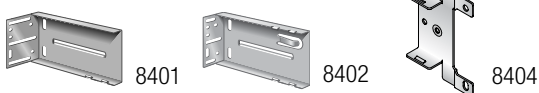
Features

- 32 mm hole pattern with direct access mounting
- Lever disconnect for easy drawer removal
- Non-handed design
- Recommended maximum drawer width 24 inches

Mounting: Side-mount
 Action: Telescopic movement on ball bearings
 Load rating: 100-pound class
 Height: 1-13/16 inches
 Clearance: 1/2" + 1/32" – 0" on each side
 Finish: Anochrome (ANO), Ebony Black (EB), White (WH)



Mounting Brackets



Product	Front or Rear	Finish	Pack
8401	Rear	Zinc (ZC)	20 brackets/carton
8402	Rear	Zinc (ZC)	20 brackets/carton
8402BBL	Rear	Zinc (ZC)	400 brackets/carton
8402WP	Rear	Zinc (ZC)	20 brackets/warehouse pack
8404	Front	Zinc (ZC)	20 brackets/carton
8404B	Front	Zinc (ZC)	400 brackets/carton
8404 WH	Front	White (WH)	20 brackets/carton
8404 EB	Front	Ebony Black (EB)	20 brackets/carton
8404BBL	Front	Zinc (ZC)	400 brackets/carton
8404B KIT	Both	Zinc (ZC)	2 [8403] + 2 [8404] + screws

Configurations

Bulk (B)	10 per carton - no screws
Poly (P)	1 set per bag; 10 sets per carton - with screws
Quantity (Q)	50 sets; multiple cartons - no screws
Warehouse (WP)	1 set per bag; 10 sets per warehouse pack - with screws

8400 Anochrome (ANO) Finish				
Size	Bulk (B)	Poly (P)	Quantity (Q)	Warehouse (WP)
8 inch	8400B 8	8400P 8	8400Q 8	–
10 inch	8400B 10	8400P 10	8400Q 10	–
12 inch	8400B 12	8400P 12	8400Q 12	–
14 inch	8400B 14	8400P 14	8400Q 14	–
16 inch	8400B 16	8400P 16	8400Q 16	8400WP 16
18 inch	8400B 18	8400P 18	8400Q 18	8400WP 18
20 inch	8400B 20	8400P 20	8400Q 20	8400WP 20
22 inch	8400B 22	8400P 22	8400Q 22	8400WP 22
24 inch	8400B 24	8400P 24	8400Q 24	8400WP 24
26 inch	8400B 26	8400P 26	8400Q 26	–
28 inch	8400B 28	8400P 28	8400Q 28	–
8400 Ebony Black (EB) Finish				
8 inch	8400B EB 8	8400P EB 8	8400Q EB 8	–
10 inch	8400B EB 10	8400P EB 10	8400Q EB 10	–
12 inch	8400B EB 12	8400P EB 12	8400Q EB 12	–
14 inch	8400B EB 14	8400P EB 14	8400Q EB 14	–
16 inch	8400B EB 16	8400P EB 16	8400Q EB 16	–
18 inch	8400B EB 18	8400P EB 18	8400Q EB 18	–
20 inch	8400B EB 20	8400P EB 20	8400Q EB 20	–
22 inch	8400B EB 22	8400P EB 22	8400Q EB 22	–
24 inch	8400B EB 24	8400P EB 24	8400Q EB 24	–
26 inch	8400B EB 26	8400P EB 26	8400Q EB 26	–
28 inch	8400B EB 28	8400P EB 28	8400Q EB 28	–
8400 White (WH) Finish				
8 inch	8400B WH 8	8400P WH 8	–	–
10 inch	8400B WH 10	8400P WH 10	–	–
12 inch	8400B WH 12	8400P WH 12	–	–
14 inch	8400B WH 14	8400P WH 14	–	–
16 inch	8400B WH 16	8400P WH 16	–	–
18 inch	8400B WH 18	8400P WH 18	–	–
20 inch	8400B WH 20	8400P WH 20	–	–
22 inch	8400B WH 22	8400P WH 22	–	–
24 inch	8400B WH 24	8400P WH 24	–	–
26 inch	8400B WH 26	8400P WH 26	–	–
28 inch	8400B WH 28	8400P WH 28	–	–

Recommended Fasteners		KV Part	Finish	Qty
	#7 x 1/2" Phillips Pan head	8500-93	Zinc (ZC)	1000
		8500-93 EB	Ebony Black (EB)	1000
		8500-93 WH	White (WH)	50

☐ Non-stock item – minimum order quantities and additional lead time may apply.

8405 1-Inch Over Travel Box or File Drawer Slide

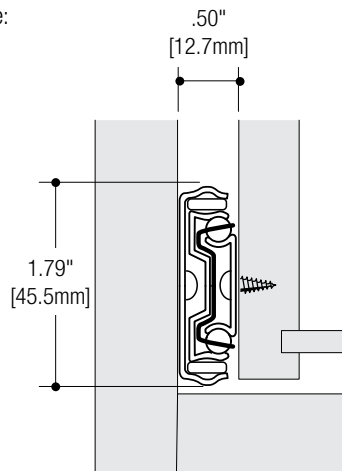


Features

- 1 inch over-travel for full access to drawer contents
- Lever disconnect for easy drawer removal
- Non-handed design
- Recommended maximum drawer width 24 inches

Mounting: Side-mount
 Action: Telescopic action on ball bearings
 Load rating: 90-pound class
 Height: 1-13/16 inches
 Clearance: 1/2" + 1/32" – 0" on each side
 Finish: Anochrome (ANO), Ebony Black (EB)

Profile:



Configurations

Bulk (B)	10 sets per carton - no screws
Poly (P)	1 set per bag; 10 sets per carton - with screws
Quantity (Q)	50 sets; Multiple cartons - no screws

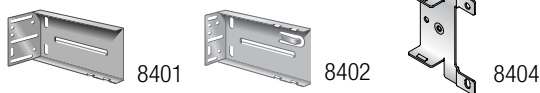
8405 Anochrome (ANO) Finish			
Size	Bulk (B)	Poly (P)	Quantity (Q)
10 inch	8405B 10	8405P 10	8405Q 10
12 inch	8405B 12	8405P 12	8405Q 12
14 inch	8405B 14	8405P 14	8405Q 14
16 inch	8405B 16	8405P 16	8405Q 16
18 inch	8405B 18	8405P 18	8405Q 18
20 inch	8405B 20	8405P 20	8405Q 20
22 inch	8405B 22	8405P 22	8405Q 22
24 inch	8405B 24	8405P 24	8405Q 24
26 inch	8405B 26	8405P 26	8405Q 26
28 inch	8405B 28	8405P 28	8405Q 28

8405 Ebony Black (EB) Finish			
10 inch	8405B EB 10	8405P EB 10	8405Q EB 10
12 inch	8405B EB 12	8405P EB 12	8405Q EB 12
14 inch	8405B EB 14	8405P EB 14	8405Q EB 14
16 inch	8405B EB 16	8405P EB 16	8405Q EB 16
18 inch	8405B EB 18	8405P EB 18	8405Q EB 18
20 inch	8405B EB 20	8405P EB 20	8405Q EB 20
22 inch	8405B EB 22	8405P EB 22	8405Q EB 22
24 inch	8405B EB 24	8405P EB 24	8405Q EB 24
26 inch	8405B EB 26	8405P EB 26	8405Q EB 26
28 inch	8405B EB 28	8405P EB 28	8405Q EB 28

Recommended Fasteners		KV Part	Finish	Qty
	#7 x 1/2" Phillips Pan head	8500-93	Zinc (ZC)	1000
		8500-93 EB	Ebony Black (EB)	1000

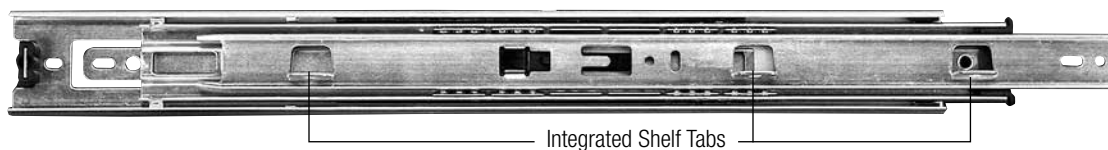
■ Non-stock item – minimum order quantities and additional lead time may apply.

Mounting Brackets



Product	Front or Rear	Finish	Pack
8401	Rear	Zinc (ZC)	20 brackets/carton
8402	Rear	Zinc (ZC)	20 brackets/carton
8402BBL	Rear	Zinc (ZC)	400 brackets/carton
8402WP	Rear	Zinc (ZC)	20 brackets/warehouse pack
8404	Front	Zinc (ZC)	20 brackets/carton
8404B	Front	Zinc (ZC)	400 brackets/carton
8404 WH	Front	White (WH)	20 brackets/carton
8404 EB	Front	Ebony Black (EB)	20 brackets/carton
8404BBL	Front	Zinc (ZC)	400 brackets/carton
8404B KIT	Both	Zinc (ZC)	2 [8403] + 2 [8404] + screws

8407 Full Extension Box or File Drawer Slide with Shelf Tabs



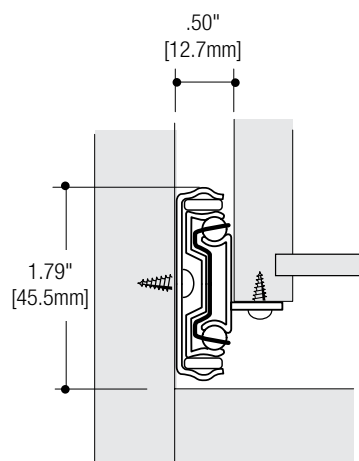
Tab Detail

Features

- 32 mm hole pattern with direct access mounting
- Lever disconnect for easy drawer removal
- Shelf tabs
- Recommended maximum drawer width 24 inches

Mounting: Side-mount
 Action: Telescopic movement on ball bearings
 Load rating: 100-pound class
 Height: 1-13/16 inches
 Clearance: 1/2" + 1/32" – 0" on each side
 Finish: Anochrome (ANO), Ebony Black (EB)

Profile:



Configurations

Bulk (B)	10 sets per carton - no screws
Poly (P)	1 set per bag; 10 sets per carton - with screws
Quantity (Q)	50 sets; Multiple cartons - no screws

8407 Anochrome (ANO) Finish			
Size	Bulk (B)	Poly (P)	Quantity (Q)
10 inch	8407B 10	8407P 10	8407Q 10
12 inch	8407B 12	8407P 12	8407Q 12
14 inch	8407B 14	8407P 14	8407Q 14
16 inch	8407B 16	8407P 16	8407Q 16
18 inch	8407B 18	8407P 18	8407Q 18
20 inch	8407B 20	8407P 20	8407Q 20
22 inch	8407B 22	8407P 22	8407Q 22
24 inch	8407B 24	8407P 24	8407Q 24
26 inch	8407B 26	8407P 26	8407Q 26
28 inch	8407B 28	8407P 28	8407Q 28
8407 Ebony Black (EB) Finish			
14 inch	8407B EB 14	–	–
16 inch	8407B EB 16	–	–
18 inch	8407B EB 18	–	–
20 inch	8407B EB 20	–	–
22 inch	8407B EB 22	–	–
24 inch	8407B EB 24	–	–

Recommended Fasteners		KV Part	Finish	Qty
	#7 x 1/2" Phillips Pan head	8500-93	Zinc (ZC)	1000
		8500-93 EB	Ebony Black (EB)	1000

Non-stock item – minimum order quantities and additional lead time may apply.

Mounting Brackets



Product	Front or Rear	Finish	Pack
8401	Rear	Zinc (ZC)	20 brackets/carton
8402	Rear	Zinc (ZC)	20 brackets/carton
8402BBL	Rear	Zinc (ZC)	400 brackets/carton
8402WP	Rear	Zinc (ZC)	20 brackets/warehouse pack
8404	Front	Zinc (ZC)	20 brackets/carton
8404B	Front	Zinc (ZC)	400 brackets/carton
8404 WH	Front	White (WH)	20 brackets/carton
8404 EB	Front	Ebony Black (EB)	20 brackets/carton
8404BBL	Front	Zinc (ZC)	400 brackets/carton
8404B KIT	Both	Zinc (ZC)	2 [8403] + 2 [8404] + screws

8414 Full Extension Hold-Out Precision Drawer Slide

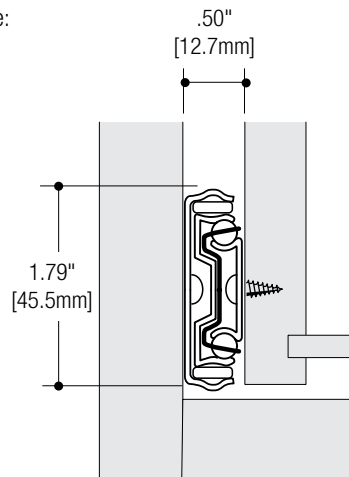


Features

- 32 mm hole pattern with direct access mounting
- Lever disconnect for easy drawer removal
- Hold-out feature holds slide in place when drawer is open
- Recommended maximum drawer width 24 inches

Mounting: Side-mount
 Action: Telescopic movement on ball bearings
 Load rating: 100-pound class
 Height: 1-13/16 inches
 Clearance: 1/2" + 1/32" – 0" on each side
 Finish: Anochrome (ANO), Ebony Black (EB)

Profile:





Configurations

Bulk (B)	10 sets per carton - no screws
Poly (P)	1 set per bag; 10 sets per carton - with screws
Quantity (Q)	50 sets; Multiple cartons - no screws

8414 Anochrome (ANO) Finish			
Size	Bulk (B)	Poly (P)	Quantity (Q)
10 inch	8414B 10	–	–
12 inch	8414B 12	8414P 12	8414Q 12
14 inch	8414B 14	8414P 14	8414Q 14
16 inch	8414B 16	8414P 16	8414Q 16
18 inch	8414B 18	8414P 18	8414Q 18
20 inch	8414B 20	8414P 20	8414Q 20
22 inch	8414B 22	8414P 22	8414Q 22
24 inch	8414B 24	8414P 24	8414Q 24

8414 Ebony Black (EB) Finish			
12 inch	–	–	8414Q EB 12
14 inch	–	–	8414Q EB 14
16 inch	–	–	8414Q EB 16
18 inch	–	–	8414Q EB 18
20 inch	–	–	8414Q EB 20
22 inch	–	–	8414Q EB 22
24 inch	–	–	8414Q EB 24

Recommended Fasteners		KV Part	Finish	Qty
	#7 x 1/2" Phillips Pan head	8500-93	Zinc (ZC)	1000
		8500-93 EB	Ebony Black (EB)	1000

 Non-stock item – minimum order quantities and additional lead time may apply.

Mounting Brackets



Product	Front or Rear	Finish	Pack
8401	Rear	Zinc (ZC)	20 brackets/carton
8402	Rear	Zinc (ZC)	20 brackets/carton
8402BBL	Rear	Zinc (ZC)	400 brackets/carton
8402WP	Rear	Zinc (ZC)	20 brackets/warehouse pack
8404	Front	Zinc (ZC)	20 brackets/carton
8404B	Front	Zinc (ZC)	400 brackets/carton
8404 WH	Front	White (WH)	20 brackets/carton
8404 EB	Front	Ebony Black (EB)	20 brackets/carton
8404BBL	Front	Zinc (ZC)	400 brackets/carton
8404B KIT	Both	Zinc (ZC)	2 [8403] + 2 [8404] + screws

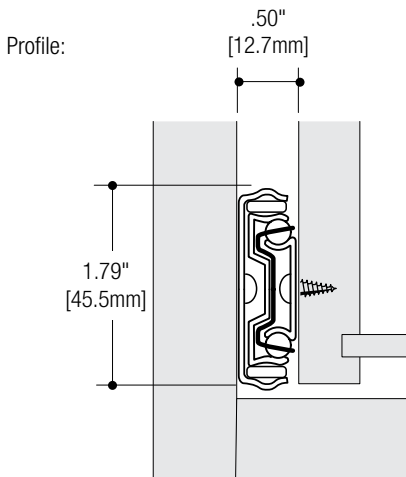
8417, 8419, 8400RV Self-Closing Drawer Slides



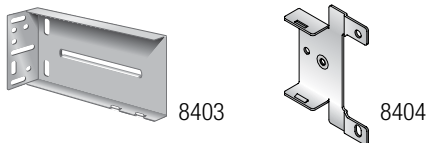
Features

- 32 mm hole pattern with direct access mounting
- Self-closing feature
- 8400RV features a stronger spring for mobile applications
- Recommended maximum drawer width 24 inches

- 8417: Self-closing full extension drawer slide
 8419: Self-closing 1" over-travel drawer slide
 8400RV: Heavy-Duty self-closing full extension drawer slide
 Mounting: Side-mount
 Action: Telescopic movement on ball bearings
 Load rating: 100-pound class (8417/8400RV); 90-pound class (8419)
 Height: 1-13/16 inches
 Clearance: 1/2" + 1/32" – 0" on each side
 Finish: Anochrome (ANO), Ebony Black (EB), White (WH)



Mounting Brackets



Product	Front or Rear	Finish	Pack
8403	Rear	Zinc (ZC)	20 brackets/carton
8403BBL	Rear	Zinc (ZC)	400 brackets/carton
8404	Front	Zinc (ZC)	20 brackets/carton
8404B	Front	Zinc (ZC)	400 brackets/carton
8404 WH	Front	White (WH)	20 brackets/carton
8404 EB	Front	Ebony Black (EB)	20 brackets/carton
8404BBL	Front	Zinc (ZC)	400 brackets/carton
8404B KIT	Both	Zinc (ZC)	2 [8403] + 2 [8404] + screws

Configurations

Bulk (B)	10 sets per carton - no screws
Poly (P)	1 set per bag; 10 sets per carton - with screws

8417 Anochrome (ANO) Finish		
Size	Bulk (B)	Poly (P)
12 inch	8417B 12	8417P 12
14 inch	8417B 14	8417P 14
16 inch	8417B 16	8417P 16
18 inch	8417B 18	8417P 18
20 inch	8417B 20	8417P 20
22 inch	8417B 22	8417P 22
24 inch	8417B 24	8417P 24
26 inch	8417B 26	8417P 26

8417 Ebony Black (EB) Finish		
12 inch	8417B EB 12	—
14 inch	8417B EB 14	—
16 inch	8417B EB 16	—
18 inch	8417B EB 18	—
20 inch	8417B EB 20	—
22 inch	8417B EB 22	—
24 inch	8417B EB 24	—
26 inch	8417B EB 26	—

8417 White (WH) Finish		
12 inch	8417B WH 12	—
14 inch	8417B WH 14	—
16 inch	8417B WH 16	—
18 inch	8417B WH 18	—
20 inch	8417B WH 20	—
22 inch	8417B WH 22	—
24 inch	8417B WH 24	—
26 inch	8417B WH 26	—

8419 Anochrome (ANO) Finish		
14 inch	8419B 14	8419P 14
16 inch	8419B 16	8419P 16
18 inch	8419B 18	8419P 18
20 inch	8419B 20	8419P 20
22 inch	8419B 22	8419P 22
24 inch	8419B 24	8419P 24
26 inch	8419B 26	8419P 26

8419 Ebony Black (EB) Finish		
14 inch	8419B EB 14	8419P EB 14
16 inch	8419B EB 16	8419P EB 16
18 inch	8419B EB 18	8419P EB 18
20 inch	8419B EB 20	8419P EB 20
22 inch	8419B EB 22	8419P EB 22
24 inch	8419B EB 24	8419P EB 24
26 inch	8419B EB 26	8419P EB 26

8400RV Anochrome (ANO) Finish		
10 inch	8400BRV 10	—
12 inch	8400BRV 12	—
14 inch	8400BRV 14	—
16 inch	8400BRV 16	—
18 inch	8400BRV 18	—
20 inch	8400BRV 20	—
22 inch	8400BRV 22	—
24 inch	8400BRV 24	—
26 inch	8400BRV 26	—
28 inch	8400BRV 28	—

8430 Push-to-Open Drawer Slide

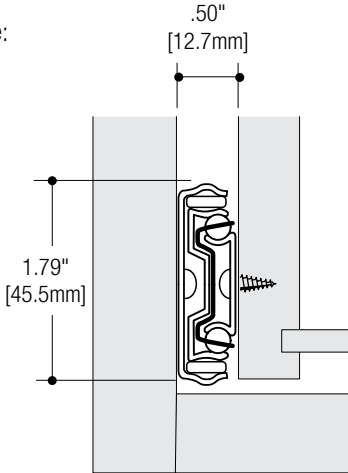


Features

- Push-to-open feature holds a drawer or tray in the closed position until activated by a slight push
- 1/2 inch side clearance with no set up change
- Non-handed design
- Recommended maximum drawer width 24 inches

Mounting: Side-mount
 Action: Telescopic movement on ball bearings
 Load rating: 100-pound class
 Height: 1-13/16 inches
 Clearance: 1/2" + 1/32" – 0" on each side
 Finish: Anochrome (ANO), Ebony Black (EB)

Profile:



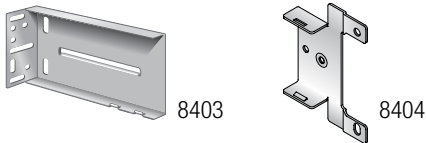
Configurations

Bulk (B)	10 sets per carton - no screws
Poly (P)	1 set per bag; 10 sets per carton - with screws

8430 Anochrome (ANO) Finish		
Size	Bulk (B)	Poly (P)
12 inch	8430B 12	8430P 12
14 inch	8430B 14	8430P 14
16 inch	8430B 16	8430P 16
18 inch	8430B 18	8430P 18
20 inch	8430B 20	8430P 20
22 inch	8430B 22	8430P 22
24 inch	8430B 24	8430P 24
26 inch	8430B 26	8430P 26
8430 Ebony Black (EB) Finish		
16 inch	–	8430P EB 16
18 inch	–	8430P EB 18
20 inch	–	8430P EB 20
22 inch	–	8430P EB 22
24 inch	–	8430P EB 24

Recommended Fasteners		KV Part	Finish	Qty
	#7 x 1/2" Phillips Pan head	8500-93	Zinc (ZC)	1000
		8500-93 EB	Ebony Black (EB)	1000

Mounting Brackets



Product	Front or Rear	Finish	Pack
8403	Rear	Zinc (ZC)	20 brackets/carton
8403BBL	Rear	Zinc (ZC)	400 brackets/carton
8404	Front	Zinc (ZC)	20 brackets/carton
8404B	Front	Zinc (ZC)	400 brackets/carton
8404 WH	Front	White (WH)	20 brackets/carton
8404 EB	Front	Ebony Black (EB)	20 brackets/carton
8404BBL	Front	Zinc (ZC)	400 brackets/carton
8404B KIT	Both	Zinc (ZC)	2 [8403] + 2 [8404] + screws

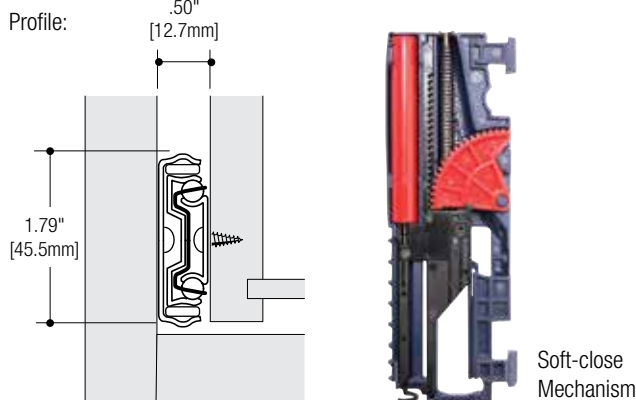
8450FM Soft-Close Drawer Slide



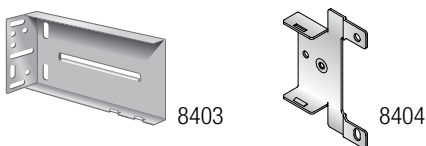
Features

- Patented Force Management (FM) soft-close mechanism
- 32 mm hole pattern with direct access mounting
- Lever disconnect for easy drawer removal
- Non-handed design
- Recommended maximum drawer width 24 inches
- Optional rear mount brackets

8450FM: Full extension
 8455FM: Over-travel
 Action: Telescopic movement on ball bearings
 Load rating: 8450FM - 100-pound class
 8455FM - 90-pound class
 Height: 1-13/16 inches
 Clearance: 1/2" + 1/32" – 0" on each side
 Finish: Anochrome (ANO), Ebony Black (EB)



Mounting Brackets



Product	Front or Rear	Finish	Pack
8403	Rear	Zinc (ZC)	20 brackets/carton
8403BBL	Rear	Zinc (ZC)	400 brackets/carton
8404	Front	Zinc (ZC)	20 brackets/carton
8404B	Front	Zinc (ZC)	400 brackets/carton
8404 WH	Front	White (WH)	20 brackets/carton
8404 EB	Front	Ebony Black (EB)	20 brackets/carton
8404BBL	Front	Zinc (ZC)	400 brackets/carton
8404B KIT	Both	Zinc (ZC)	2 [8403] + 2 [8404] + screws

Configurations

Bulk (B)	10 sets per carton - no screws
Poly (P)	1 set per bag; 10 sets per carton - with screws

8450FM Full-Extension Anochrome (ANO) Finish		
Size	Bulk (B)	Poly (P)
12 inch	8450FMB 12	8450FMP 12
14 inch	8450FMB 14	8450FMP 14
16 inch	8450FMB 16	8450FMP 16
18 inch	8450FMB 18	8450FMP 18
20 inch	8450FMB 20	8450FMP 20
22 inch	8450FMB 22	8450FMP 22
24 inch	8450FMB 24	8450FMP 24
26 inch	8450FMB 26	8450FMP 26
28 inch	8450FMB 28	8450FMP 28
8450FM Full-Extension Ebony Black (EB) Finish		
12 inch	8450FMB EB 12	–
14 inch	8450FMB EB 14	–
16 inch	8450FMB EB 16	–
18 inch	8450FMB EB 18	–
20 inch	8450FMB EB 20	–
22 inch	8450FMB EB 22	–
24 inch	8450FMB EB 24	–
26 inch	8450FMB EB 26	–
28 inch	8450FMB EB 28	–
8455FM Over-Travel Anochrome (ANO) Finish		
16 inch	8455FMB 16	8455FMP 16
18 inch	8455FMB 18	8455FMP 18
20 inch	8455FMB 20	8455FMP 20
22 inch	8455FMB 22	8455FMP 22
24 inch	8455FMB 24	8455FMP 24
26 inch	8455FMB 26	8455FMP 26
28 inch	8455FMB 28	8455FMP 28
8455FM Over-Travel Ebony Black (EB) Finish		
16 inch	8455FMB EB 16	–
18 inch	8455FMB EB 18	–
20 inch	8455FMB EB 20	–
22 inch	8455FMB EB 22	–
24 inch	8455FMB EB 24	–
26 inch	8455FMB EB 26	–
28 inch	8455FMB EB 28	–

Recommended Fasteners		KV Part	Finish	Qty
	#7 x 1/2" Phillips Pan head	8500-93	Zinc (ZC)	1000
		8500-93 EB	Ebony Black (EB)	1000

☐ Non-stock item – minimum order quantities and additional lead time may apply.



MuV Undermount Drawer Slides

MuV Full Extension Undermount Drawer Slide 30
 MuV34 Full Extension Undermount Drawer Slide 31
 MuV HD Heavy-Duty Full Extension Undermount Drawer Slide 32
 MuV34 HD Heavy-Duty Full Extension Undermount Drawer Slide 33
 MuV Metric Full Extension Undermount Drawer Slide 34

Mounting Style	Load Class	Type	Extension			Disconnect Type				Open/Close Features			
		Undermount	3/4 Extension	Full Extension	1" Over-Travel	No Disconnect	Friction Release	Lever Release	Lift Out	Quick Disconnect	Hold In Anti-Rebound	Hold Out / Open	Self-Close
MuV	Under	75	•	•				•		•		•	•
MuV34	Under	75	•	•				•		•		•	•
MuV HD	Under	120	•	•				•		•		•	•
MuV34 HD	Under	120	•	•				•		•	•	•	•
MuV Metric	Under	34kg	•	•				•		•		•	•

MuV Full Extension Undermount Drawer Slide

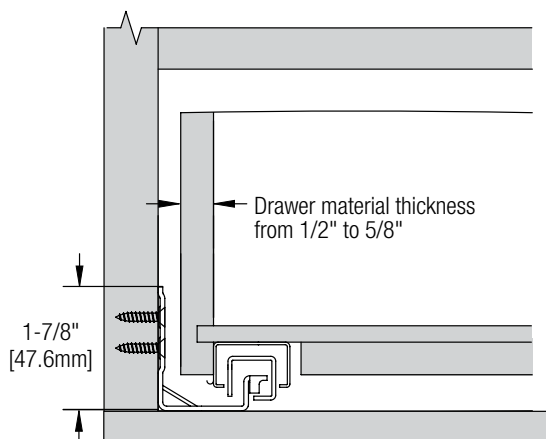


Features

- For use with drawer material thickness from 1/2" to 5/8"
- 32 mm hole pattern matches existing industry standards
- Full extension travel
- Integrated soft-close motion-dampening cylinder guides drawer into closed position
- Packaged complete with release levers

Mounting: Undermount
 Action: Telescopic action
 Load rating: 75-pound class
 Height: 1-7/8 inches
 Finish: Zinc (ZC)


Profile:



Configurations

Bulk (B)	9"–12": 4 sets per carton; includes front release levers - no screws
	14"–22": 6 sets per carton; includes front release levers - no screws

MuV Zinc (ZC) Finish	
Size	Bulk (B)
9 inch	MUVB 9
10 inch	MUVB 10
12 inch	MUVB 12
14 inch	MUVB 14
16 inch	MUVB 16
18 inch	MUVB 18
20 inch	MUVB 20
21 inch	MUVB 21
22 inch	MUVB 22

Recommended Fasteners	KV Part	Finish	Qty
 #7 x 5/8" Slide Mounting Screws	MUV-122	Zinc (ZC)	100
#6 x 1/2" Front Mounting Clip Screws	MUV-123	Zinc (ZC)	100

Optimal Operation Guidelines for Drawer Width Based on Drawer Height	
Drawer Height	Maximum Width
Up to 6 inches	Slide length + 10 inches
Greater than 6 inches	Slide length + 10 inches or 28 inches, whichever is less
Greater than 8 inches	Slide length + 10 inches or 24 inches, whichever is less
Greater than 10 inches	Slide length + 10 inches or 21 inches, whichever is less



Closed Position

Mounting Brackets



MUV-RBP Plastic Rear Mounting Bracket
 Sizes 9–12 inches



MUV-RBM Metal Rear Mounting Bracket
 Sizes 14+ inches



MUV-121 Installation Jig

Product	Description	Carton Quantity
MUV-RBP	Plastic rear mounting brackets (sizes 9–12 inches)	8 (4L, 4R)
MUV-RBM	Metal rear mounting brackets (sizes 14+ inches)	12 (non-handed)
MUV-121	Installation jig	1

MuV34 Full Extension Undermount Drawer Slide

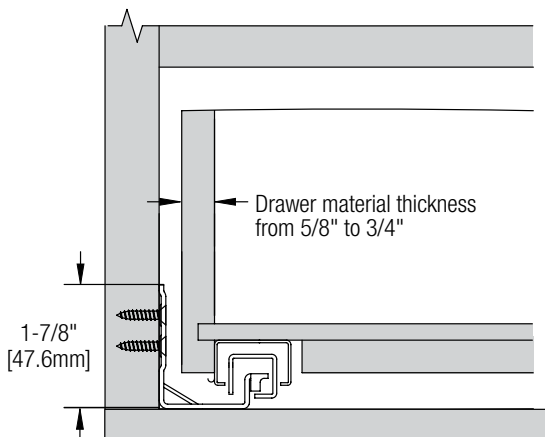


Features

- For use with drawer material thickness from 5/8" to 3/4"
- 32 mm hole pattern matches existing industry standards
- Full extension travel
- Integrated soft-close motion-dampening cylinder guides drawer into closed position
- Packaged complete with release levers

Mounting: Undermount
 Action: Telescopic action
 Load rating: 75-pound class
 Height: 1-7/8 inches
 Finish: Zinc (ZC)


Profile:



Configurations

Bulk (B)	9"–12": 4 sets per carton; includes front release levers - no screws
	14"–22": 6 sets per carton; includes front release levers - no screws

MuV34 Zinc (ZC) Finish	
Size	Bulk (B)
9 inch	MUV34B 9
10 inch	MUV34B 10
12 inch	MUV34B 12
14 inch	MUV34B 14
16 inch	MUV34B 16
18 inch	MUV34B 18
20 inch	MUV34B 20
21 inch	MUV34B 21
22 inch	MUV34B 22

Recommended Fasteners	KV Part	Finish	Qty
 #7 x 5/8" Slide Mounting Screws	MUV-122	Zinc (ZC)	100
#6 x 1/2" Front Mounting Clip Screws	MUV-123	Zinc (ZC)	100

Optimal Operation Guidelines for Drawer Width Based on Drawer Height	
Drawer Height	Maximum Width
Up to 6 inches	Slide length + 10 inches
Greater than 6 inches	Slide length + 10 inches or 28 inches, whichever is less
Greater than 8 inches	Slide length + 10 inches or 24 inches, whichever is less
Greater than 10 inches	Slide length + 10 inches or 21 inches, whichever is less



Closed Position

Mounting Brackets



MUV-RBP Plastic Rear Mounting Bracket
 Sizes 9–12 inches



MUV-RBM Metal Rear Mounting Bracket
 Sizes 14+ inches



MUV-121 Installation Jig

Product	Description	Carton Quantity
MUV-RBP	Plastic rear mounting brackets (sizes 9–12 inches)	8 (4L, 4R)
MUV-RBM	Metal rear mounting brackets (sizes 14+ inches)	12 (non-handed)
MUV-121	Installation jig	1

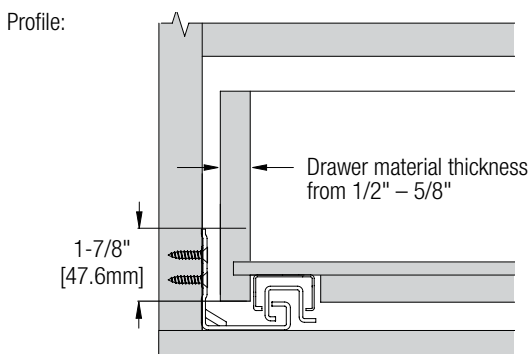
MuV HD Heavy-Duty Full Extension Undermount Drawer Slide



Features

- For use with drawer material thickness from 1/2" to 5/8"
- Stabilizing rollers keep closed drawer fronts aligned and true
- Hydraulic soft-close cylinder eliminates drawer bounce-back
- Industry standard 32 mm mounting hole pattern
- Optional bottom mount holes
- Recommended maximum drawer width 42 inches

Mounting: Undermount
 Travel: Full extension
 Load rating: 120-pound class
 Height: 1-7/8 inches
 Finish: Galvanized (GALV)




Note: MuV HD face frame applications must be blocked out.

Configurations

Bulk (B)	4 sets per carton; includes front release levers - no screws
----------	--

MuV HD Galvanized (GALV) Finish	
Size	Bulk (B)
18 inch	MUVHDB 18
20 inch	MUVHDB 20
21 inch	MUVHDB 21
22 inch	MUVHDB 22
24 inch	MUVHDB 24
27 inch	MUVHDB 27
30 inch	MUVHDB 30

Recommended Fasteners	KV Part	Finish	Qty
	#7 x 5/8" Flat Head Wood Screws	MUV-122	Zinc (ZC) 100
	#6 x 1/2" Truss Head Wood Screws	MUV-123	Zinc (ZC) 100

Mounting Brackets



MUV-121
Installation Jig

Product	Description	Carton Quantity
MUV-121	Installation jig	1

MuV34 HD Heavy-Duty Full Extension Undermount Drawer Slide

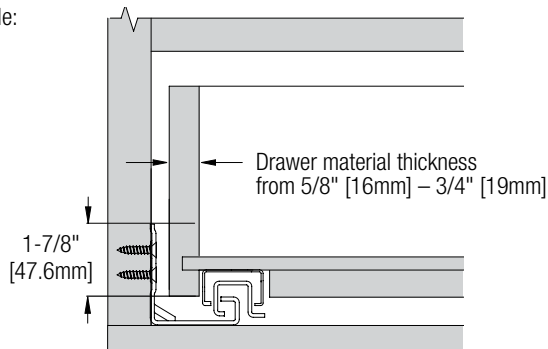


Features

- For use with drawer material thickness from 5/8" to 3/4"
- Stabilizing rollers keep closed drawer fronts aligned and true
- Hydraulic soft-close cylinder eliminates drawer bounce-back
- Industry standard 32 mm mounting hole pattern
- Optional bottom mount holes
- Recommended maximum drawer width 42 inches

Mounting: Undermount
 Travel: Full extension
 Load rating: 120-pound class
 Height: 1-7/8 inches
 Finish: Galvanized (GALV)

Profile:




Note: MuV HD face frame applications must be blocked out.

Configurations

Bulk (B)	4 sets per carton; includes front release levers - no screws
----------	--

MuV34 HD Galvanized (GALV) Finish	
Size	Bulk (B)
18 inch	MUV34HDB 18
20 inch	MUV34HDB 20
21 inch	MUV34HDB 21
22 inch	MUV34HDB 22
24 inch	MUV34HDB 24
27 inch	MUV34HDB 27
30 inch	MUV34HDB 30

Recommended Fasteners	KV Part	Finish	Qty
	#7 x 5/8" Flat Head Wood Screws	MUV-122	Zinc (ZC) 100
	#6 x 1/2" Truss Head Wood Screws	MUV-123	Zinc (ZC) 100

Mounting Brackets



MUV-121
Installation Jig

Product	Description	Carton Quantity
MUV-121	Installation jig	1

MuV Metric Full Extension Undermount Drawer Slide

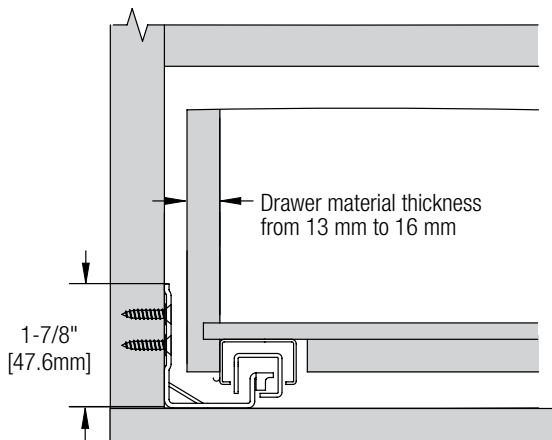


Features

- For use with drawer material thickness from 13 mm to 16 mm
- Ergonomically designed front release levers allow for tool-free height adjustment
- 32 mm hole pattern matches existing industry standards
- True full extension
- Integrated soft-close motion-dampening cylinder guides drawer into closed position
- Packaged complete with release levers

Mounting: Undermount
 Action: Telescopic action
 Load rating: 34 kg class
 Height: 48 mm
 Finish: Zinc (ZC)


Profile:



Configurations

Bulk (B)	250-320mm: 4 sets per carton; includes front release levers - no screws
	350-600mm: 6 sets per carton; includes front release levers - no screws

MuV Metric Zinc (ZC) Finish	
Size	Bulk (B)
250 mm	MUVB 250
270 mm	MUVB 270
300 mm	MUVB 300
320 mm	MUVB 320
350 mm	MUVB 350
380 mm	MUVB 380
400 mm	MUVB 400
420 mm	MUVB 420
450 mm	MUVB 450
480 mm	MUVB 480
500 mm	MUVB 500
520 mm	MUVB 520
550 mm	MUVB 550
600 mm	MUVB 600

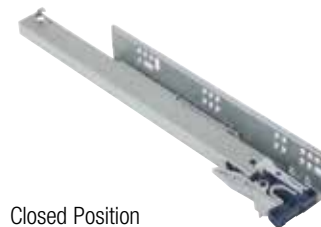
Recommended Fasteners		KV Part	Finish	Qty
	#7 x 5/8" Flat Head Wood Screws	MUV-122	Zinc (ZC)	100
	#6 x 1/2" Truss Head Wood Screws	MUV-123	Zinc (ZC)	100

Optimal Operation Guidelines for Drawer Width Based on Drawer Height	
Drawer Height	Maximum Width
Up to 152 mm	Slide length + 254 mm
Greater than 152 mm	Slide length + 254 mm or 711 mm, whichever is less
Greater than 203 mm	Slide length + 254 mm or 609 mm, whichever is less
Greater than 254 mm	Slide length + 254 mm or 533 mm, whichever is less

Mounting Brackets



MUV-121
Installation Jig



Closed Position

Product	Description	Carton Quantity
MUV-121	Installation jig	1



Heavy-Duty Drawer Slides

6500 Full Extension Box or File Drawer Slide 36

6505 Over Travel Box/File Slide with Quick Disconnect Rail..... 37

8500 Full Extension Heavy-Duty File/Lateral Drawer Slides 38

8505 1-1/2" Over-travel Heavy-Duty File/Lateral Drawer Slides 38

8520 Full Extension Extra Heavy-Duty File/Lateral Drawer Slides..... 39

8525 1-1/2" Extra Heavy-Duty File/Lateral Drawer Slides 39

8800 Heavy-Duty Full Extension Drawer Slide 40

8805 Heavy-Duty Over Travel Slide w/ Quick Disconnect 41

8900 Extra Heavy-Duty Full-Extension Drawer Slide..... 42

8908 Extra Heavy-Duty Full-Extension Lock-in/Lock-out Slide 43

8909 Extra Heavy-Duty Full-Extension Lock-out Slide 43

8910 Extra Heavy-Duty Full-Extension Lock-in Slide 43

	Mounting Style	Load Class	Type		Extension				Disconnect Type			Open/Close Features				
			Roller Bearing	Ball Bearing	3/4 Extension	Full Extension	1" Over-Travel	No Disconnect	Friction Release	Lever Release	Lift Out	Quick Disconnect	Hold In Anti-Rebound	Hold Out / Open	Lock Open	Lock Closed
6500	Side	125	•	•						•	•					
6505	Side	125	•	•						•	•					
8500	Side	150	•	•						•	•					
8505	Side	150	•	•						•	•					
8520	Side	175	•	•						•	•					
8525	Side	175	•	•						•	•					
8800	Side	200	•	•					•		•					
8805	Side	200	•	•							•	•				
8900	Side	150-500	•	•	•							•				
8908	Side	150-500	•	•	•										•	•
8909	Side	150-500	•	•	•										•	
8910	Side	150-500	•	•	•											•

6500 Full Extension Box or File Drawer Slide

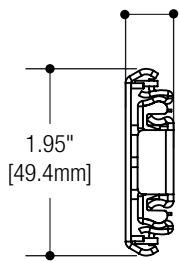


Features

- Lever disconnect for easy drawer removal
- Closed position hold-in detent
- Non-handed design
- Recommended maximum drawer width 30 inches

Mounting: Side mount
 Action: Telescopic movement on ball bearings
 Load rating: 125-pound class
 Height: 1.95" (49mm)
 Clearance: 1/2" + 1/32" – 0" on each side
 Finish: Zinc (ZC)

Profile: .50"
 [12.7mm]



Configurations

Bulk (B)	5 sets per carton - no screws
----------	-------------------------------

6500 Zinc (ZC) Finish	
Size	Bulk (B)
12 inch	6500B 12
14 inch	6500B 14
16 inch	6500B 16
18 inch	6500B 18
20 inch	6500B 20
22 inch	6500B 22
24 inch	6500B 24
26 inch	6500B 26
28 inch	6500B 28

Recommended Fasteners	
	#7 x 1/2" Wood Screws

6505 Over Travel Box / File Slide with Quick Disconnect Rail

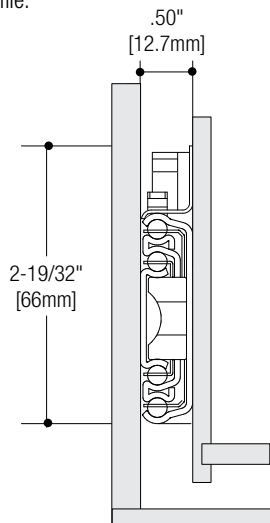


Features

- 1 inch over-travel for easy access to drawer contents
- Closed position hold-in detent
- Quick disconnect rail
- Recommended maximum drawer width 30 inches

Mounting: Side mount
 Action: Telescopic movement on ball bearings
 Load rating: 125-pound class
 Height: 2-19/32" (includes quick disconnect rail)
 Clearance: 1/2" + 1/32" – 0" on each side
 Finish: Zinc (ZC)

Profile:



Configurations

Bulk (B)	5 sets per carton - no screws
----------	-------------------------------

6505 Zinc (ZC) Finish	
Size	Bulk (B)
12 inch	6505B 12
14 inch	6505B 14
16 inch	6505B 16
18 inch	6505B 18
20 inch	6505B 20
22 inch	6505B 22
24 inch	6505B 24
26 inch	6505B 26
28 inch	6505B 28

Recommended Fasteners	
	#8 x 7/16" Wood Screws

8500, 8505 Heavy-Duty File / Lateral Drawer Slides

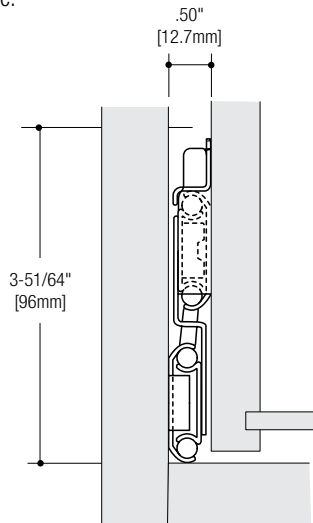


Features

- 32 mm hole pattern
- Non-handed quick disconnect drawer members
- Hold-in feature to prevent bounce back
- Recommended maximum drawer width 30 inches (8505) or 36 inches (8500)

8500: Full extension drawer slide
 8505: 1-1/4 inch overtravel drawer slide
 Mounting: Side mount
 Action: Progressive movement on ball bearings
 Load rating: 150-pound class
 Height: 3-51/64" (includes quick disconnect rail)
 Clearance: 1/2" + 1/32" – 0" on each side
 Finish: Anochrome (ANO), Ebony Black (EB)


Profile:



Configurations

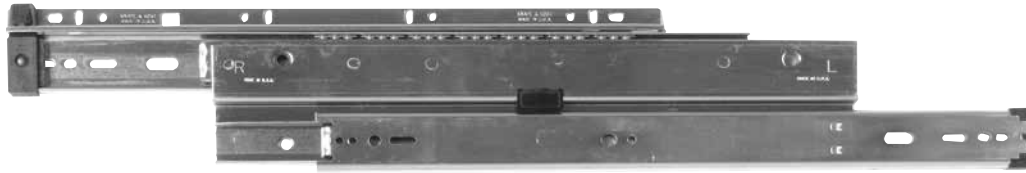
Bulk (B)	5 sets per carton - no screws
Poly (P)	1 set per bag; 5 sets per carton - with screws
Quantity (Q)	10 sets; multiple cartons - no screws

8500 Anochrome (ANO) Finish (Full Extension)			
Size	Bulk (B)	Poly (P)	Quantity (Q)
12 inch	8500B 12	8500P 12	8500Q 12
14 inch	8500B 14	8500P 14	8500Q 14
16 inch	8500B 16	8500P 16	8500Q 16
18 inch	8500B 18	8500P 18	8500Q 18
20 inch	8500B 20	8500P 20	8500Q 20
22 inch	8500B 22	8500P 22	8500Q 22
24 inch	8500B 24	8500P 24	8500Q 24
26 inch	8500B 26	8500P 26	8500Q 26
28 inch	8500B 28	8500P 28	8500Q 28
30 inch	8500B 30	8500P 30	8500Q 30
8505 Anochrome (ANO) Finish (Over-travel)			
12 inch	8505B 12	8505P 12	8505Q 12
14 inch	8505B 14	8505P 14	8505Q 14
16 inch	8505B 16	8505P 16	8505Q 16
18 inch	8505B 18	8505P 18	8505Q 18
20 inch	8505B 20	8505P 20	8505Q 20
22 inch	8505B 22	8505P 22	8505Q 22
24 inch	8505B 24	8505P 24	8505Q 24
26 inch	8505B 26	8505P 26	8505Q 26
28 inch	8505B 28	8505P 28	8505Q 28
30 inch	8505B 30	8505P 30	8505Q 30
8505 Ebony Black (EB) Finish (Over-travel)			
12 inch	8505B EB 12	–	8505Q EB 12
14 inch	8505B EB 14	–	8505Q EB 14
16 inch	8505B EB 16	8505P EB 16	8505Q EB 16
18 inch	8505B EB 18	8505P EB 18	8505Q EB 18
20 inch	8505B EB 20	8505P EB 20	8505Q EB 20
22 inch	8505B EB 22	8505P EB 22	8505Q EB 22
24 inch	8505B EB 24	8505P EB 24	8505Q EB 24
26 inch	8505B EB 26	–	8505Q EB 26
28 inch	8505B EB 28	–	8505Q EB 28
30 inch	8505B EB 30	–	8505Q EB 30

Recommended Fasteners	KV Part	Finish	Qty
 #7 x 1/2" Phillips Pin Head Screws	8500-93	Zinc (ZC)	1000
	8500-93 EB	Ebony Black (EB)	1000

☐ Non-stock item – minimum order quantities and additional lead time may apply.

8520, 8525 Extra Heavy-Duty File / Lateral Drawer Slides

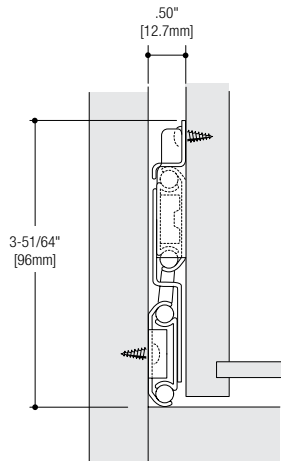


Features

- 32 mm hole pattern
- Non-handed quick disconnect drawer members
- Hold-in feature to prevent bounce back
- Recommended maximum drawer width 42 inches (8520) or 36 inches (8525)

8520: Full extension drawer slide
 8525: 1-1/4 inch overtravel drawer slide
 Mounting: Side mount
 Action: Progressive movement on ball bearings
 Load rating: 175-pound class
 Height: 3-51/64" (includes quick disconnect rail)
 Clearance: 1/2" + 1/32" – 0" on each side
 Finish: Anochrome (ANO)


Profile:



Configurations

Bulk (B)	5 sets per carton - no screws
Poly (P)	1 set per bag; 5 sets per carton - with screws
Quantity (Q)	10 sets; multiple cartons - no screws

8520 Anochrome (ANO) Finish (Full Extension)			
Size	Bulk (B)	Poly (P)	Quantity (Q)
16 inch	8520B 16	8520P 16	8520Q 16
18 inch	8520B 18	8520P 18	8520Q 18
20 inch	8520B 20	8520P 20	8520Q 20
8525 Anochrome (ANO) Finish (Over-travel)			
16 inch	8525B 16	8525P 16	–
18 inch	8525B 18	8525P 18	–
20 inch	8525B 20	8525P 20	–

Recommended Fasteners	KV Part	Finish	Qty
 #7 x 1/2" Phillips Pin Head Screws	8500-93	Zinc (ZC)	1000

8800 Heavy-Duty Full Extension Drawer Slide

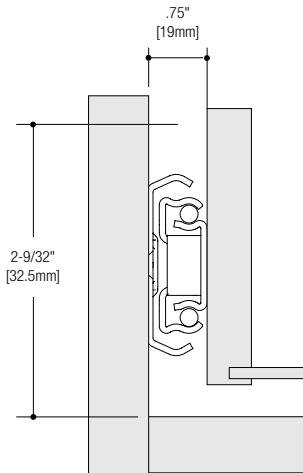


Features

- Non-handed design for easy installation
- Closed-position hold-in detent
- Lever disconnect
- Recommended maximum drawer width 42 inches

Mounting: Side mount
 Action: Telescopic movement on ball bearings
 Load rating: 200-pound class
 • 100-pound flat mount rating
 Height: 2-9/32 inches
 Clearance: 3/4" + 0.03" – 0" on each side
 Finish: Zinc (ZC)


Profile:



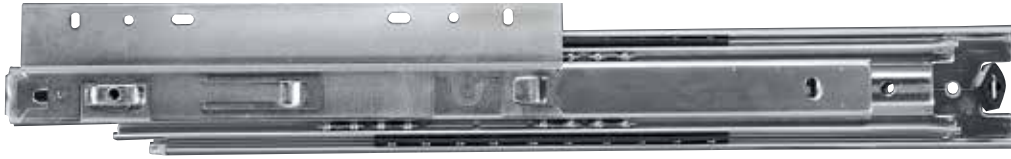
Configurations

Bulk (B)	5 sets per carton - no screws
----------	-------------------------------

8800 Zinc (ZC) Finish	
Size	Bulk (B)
12 inch	8800B 12
14 inch	8800B 14
16 inch	8800B 16
18 inch	8800B 18
20 inch	8800B 20
22 inch	8800B 22
24 inch	8800B 24
26 inch	8800B 26
28 inch	8800B 28

Recommended Fasteners	
	#10, 82-degree flat head machine screws on cabinet channel
	#10- 32 x 1/2" with #8 slotted truss head screws on drawer channel

8805 Heavy-Duty Over Travel Slide with Quick Disconnect

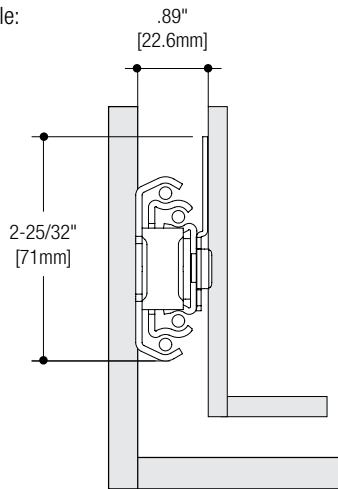


Features

- Non-handed design for easy installation
- Ideal for large storage drawer applications
- 1 inch over travel allows for easy access to drawer contents
- Quick disconnect rail for easy detachment
- Recommended maximum drawer width 42 inches

Mounting: Side mount
 Action: Telescopic movement on ball bearings
 Load rating: 200-pound class
 Height: 2-9/32 inches
 (2-25/32 inches with quick disconnect)
 Clearance: 57/64 inches
 Finish: Zinc (ZC)


Profile:



Configurations

Bulk (B)	5 sets per carton - no screws
----------	-------------------------------

8805 Zinc (ZC) Finish	
Size	Bulk (B)
12 inch	8805B 12
14 inch	8805B 14
16 inch	8805B 16
18 inch	8805B 18
20 inch	8805B 20
22 inch	8805B 22
24 inch	8805B 24
26 inch	8805B 26
28 inch	8805B 28

Recommended Fasteners	
	#8 Truss Head Screws

8900 Extra Heavy-Duty Full Extension Drawer Slide

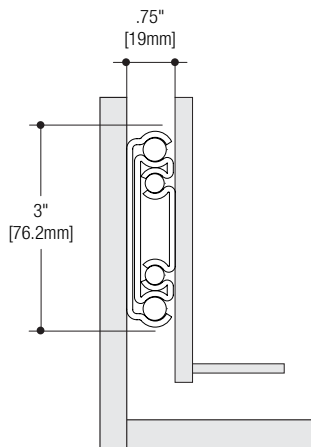


Features

- Heavy-Duty stops are designed to survive rough use
- Non-handed design for easy installation
- Full extension travel
- Non-disconnect

Mounting: Side mount
 Action: Telescopic movement on ball bearings
 Load rating: 100–500-pound class depending on application
 • 150-pound flat mount rating
 Height: 3 inches
 Clearance: 3/4"
 Finish: Zinc (ZC)


Profile:



Configurations

Bulk (B)	12" to 20" 4 sets per carton; 22" to 28" 3 sets per carton 30" to 36" 2 sets per carton; 40" to 60" 1 set per carton
Poly (P)	12" to 20" 4 sets per carton; 22" to 28" 3 sets per carton 30" to 36" 2 sets per carton

8900 Zinc (ZC) Finish		
Size	Bulk (B)	Poly (P)
10 inch	8900B 10	8900P 10
12 inch	8900B 12	8900P 12
14 inch	8900B 14	8900P 14
16 inch	8900B 16	8900P 16
18 inch	8900B 18	8900P 18
20 inch	8900B 20	8900P 20
22 inch	8900B 22	8900P 22
24 inch	8900B 24	8900P 24
26 inch	8900B 26	8900P 26
28 inch	8900B 28	8900P 28
30 inch	8900B 30	8900P 30
32 inch	8900B 32	8900P 32
34 inch	8900B 34	8900P 34
36 inch	8900B 36	8900P 36
40 inch	8900B 40	—
42 inch	8900B 42	—
44 inch	8900B 44	—
48 inch	8900B 48	—
60 inch	8900B 60	—

Recommended Fasteners	
	1/4" [M6 Euro] flat, hex or pan head screw for 0.26" [6.6mm] cabinet member hole
	1/4" [M6 Euro] hex or pan head screw for 0.26" [6.6mm] drawer member hole
	#10 [M5 Euro] flat, hex or pan head screw for 0.20" [5.2mm] cabinet member hole
	#10 [M5 Euro] hex or pan head screw for 0.20" [5.2mm] drawer member hole

Load Rating Chart		
Load Rating	Test Condition	Open/Close Cycle Tested
500-pound	18" slide in 18" width drawer	10,000
400-pound	18" slide in 42" width drawer	30,000
300-pound	18" slide in 36" width drawer	75,000
100-pound flat load	18" slide in 32" width drawer	10,000

Note: this slide must never be used as a pull-out step, platform, or any other application supporting human weight as injury may result.

8908, 8909, 8910 Extra Heavy-Duty Full Extension Locking Slides

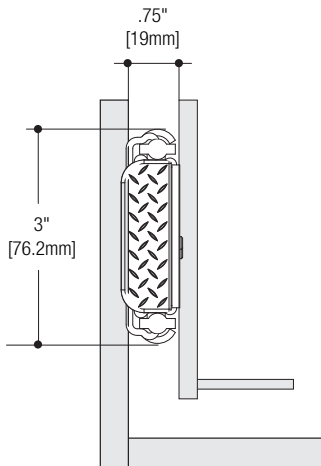


Features

- Automatic lock-in/lock-out feature
- Intuitive uni-directional release/closure
- Removable, ergonomic handle
- Spring-activate latches for vertical and horizontal mounting
- Non-disconnect

8908: Extra Heavy-Duty full extension lock-in/lock-out slide
 8909: Extra Heavy-Duty full extension lock-out only slide
 8910: Extra Heavy-Duty full extension lock-in only slide
 Mounting: Side or flat mount
 Action: Telescopic movement on ball bearings
 Load rating: 100–500-pound class depending on application
 • 150-pound flat mount rating
 Height: 3 inches (±0.02")
 Clearance: 3/4" (±0.03")
 Finish: Zinc (ZC)

Profile:



Configurations

Bulk (B)	10" to 20" - 8 slides per carton - no screws 22" to 28" - 6 slides per carton - no screws 30" to 36" - 4 slides per carton - no screws 40", 42", 44", 48", 60" - 2 slides per carton - no screws Each slide is poly-bagged with instructions included
----------	---

8908, 8909 & 8910 Zinc (ZC) Finish			
Size	8908 Lock-in/Lock-out	8909 Lock-out Only	8910 Lock-in Only
10 inch	–	8909B 10	8910B 10
12 inch	8908B 12	8909B 12	8910B 12
14 inch	8908B 14	8909B 14	8910B 14
16 inch	8908B 16	8909B 16	8910B 16
18 inch	8908B 18	8909B 18	8910B 18
20 inch	8908B 20	8909B 20	8910B 20
22 inch	8908B 22	8909B 22	8910B 22
24 inch	8908B 24	8909B 24	8910B 24
26 inch	8908B 26	8909B 26	8910B 26
28 inch	8908B 28	8909B 28	8910B 28
30 inch	8908B 30	8909B 30	8910B 30
32 inch	8908B 32	8909B 32	8910B 32
34 inch	8908B 34	8909B 34	8910B 34
36 inch	8908B 36	8909B 36	8910B 36
40 inch	8908B 40	8909B 40	8910B 40
42 inch	8908B 42	8909B 42	8910B 42
44 inch	8908B 44	8909B 44	8910B 44
48 inch	8908B 48	8909B 48	8910B 48
60 inch	8908B 60	8909B 60	8910B 60

Note: this slide must never be used as a pull-out step, platform, or any other application supporting human weight as injury may result.

Note: The 8908 slide is designed for applications in the 100-500-pound class based on application: modest use - 500-pounds; normal use - 400-pounds; vehicular use - 300-pounds; flat mount - 100-pounds.

☐ Non-stock item – minimum order quantities and additional lead time may apply.



Specialty Drawer Slides

6400 Stainless Steel Drawer Slide 45
 8000 Undermount Pantry Slide..... 46
 8500T Interlock™ Lateral File Drawer System 47
 8505T Interlock™ Lateral File Drawer System 47
 8520T Interlock™ Lateral File Drawer System 47
 8525T Interlock™ Lateral File Drawer System 47

	Mounting Style	Load Class	Type		Extension				Disconnect Type				Open/Close Features						
			Roller Bearing	Ball Bearing	3/4 Extension	Full Extension	1" Over-Travel	No Disconnect	Friction Release	Lever Release	Lift Out	Quick Disconnect	Hold In Anti-Rebound	Hold Out / Open	Lock Open	Self-Close	Push-to-Open	Soft-Close	Shelf Tabs
6400	Side	75	•									•							
8000	Under	130		•			•						•						
8500T	Side	150	•			•							•	•					
8505T	Side	150	•			•							•	•					
8520T	Side	175	•			•							•	•					
8525T	Side	175	•			•							•	•					

6400 Stainless Steel Drawer Slide

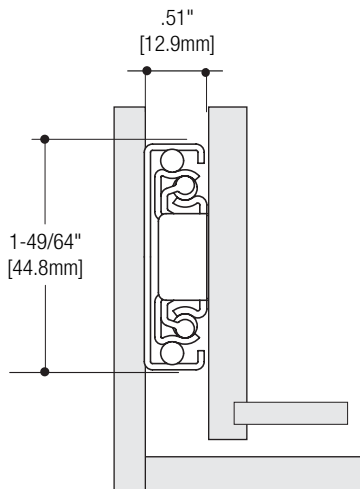


Features

- 304-Grade stainless steel
- Ideal for use in wet or corrosive environments
- USDA H-1 approved grease
- Lever disconnect
- Recommended drawer width 24 inches

Mounting: Side mount
 Action: Telescopic movement on ball bearings
 Load rating: 100-pound class
 Height: 1-49/64 inches
 Clearance: 0.51" + 0.03" – 0" each side
 Finish: Stainless Steel (SS)

Profile:




Configurations

Poly (P)	1 set per bag; 10 sets per carton - with screws
----------	---

6400 Stainless Steel (SS) Finish

Size	Poly (P)
16 inch	6400P SS 16
18 inch	6400P SS 18
20 inch	6400P SS 20
22 inch	6400P SS 22

Recommended Fasteners

	#7 x 1/2" Stainless Steel Pan Head Screws
---	---

8000 Over Travel Undermount Pantry Slide



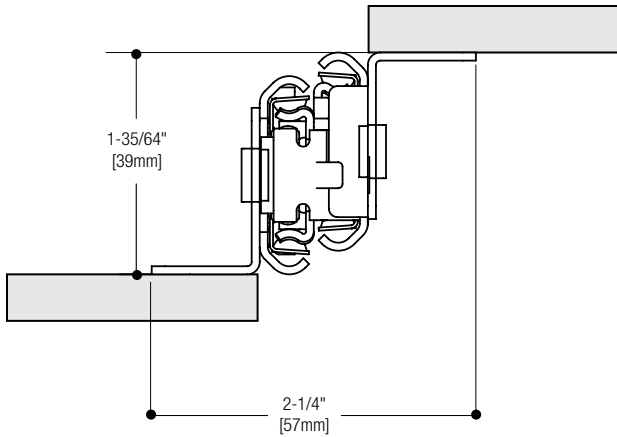
Removable Mounting Brackets

Features

- Removable mounting brackets
- Hold-in detent
- Key-hole style mounting holes
- 1 inch over-travel

Mounting: Bottom mount
 Action: Telescopic movement on ball bearings
 Load rating: 130-pound class
 Height: 1-35/64 inches
 Clearance: 3/4 inches (slide only); 2-1/4 inches (with brackets)
 Finish: Anochrome (ANO)


Profile:



Configurations

Poly (P)	1 set per bag; 10 sets per carton - with screws
----------	---

8000 Anochrome (ANO) Finish	
Size	Poly (P)
12 inch	8000P 12
14 inch	8000P 14
16 inch	8000P 16
18 inch	8000P 18
20 inch	8000P 20
22 inch	8000P 22
24 inch	8000P 24
26 inch	8000P 26
28 inch	8000P 28

Recommended Fasteners	KV Part	Finish	Qty
 #8 x 5/8" Phillips Pan head	200114-6	Zinc (ZC)	1000

8500T, 8505T, 8520T, 8525T Lateral File Drawer Systems

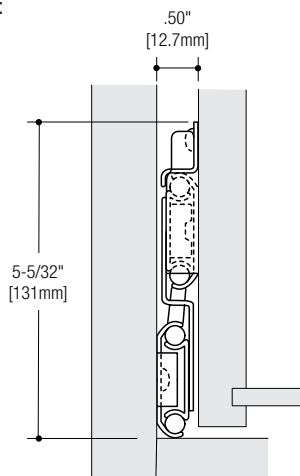


Features

- Patented integrated anti-tilt mechanism
- Uses high-strength cable that laces through the drawer slides and snaps into place, allowing only one drawer to open at a time.
- Accommodates drawers on 12 inch ($\pm 1/2$ inch) vertical centers
- Non-handed quick disconnect rail
- Designed for use on lateral file applications where a drawer anti-tilt feature is needed

8500T:	Full extension slide with maximum 36 inch drawer width
8505T:	1-1/4 inch over-travel slide max. 30 inch drawer width
8520T:	Full extension slide with maximum 42 inch drawer width
8525T:	1-1/2 inch over-travel slide max. 36 inch drawer width
Mounting:	Side mount
Action:	Progressive movement on ball bearings
Load rating:	8500T/8505T: 150-pound class 8520T/8525T: 175-pound class
Height:	5-5/32 inches
Clearance:	1/2" + 1/32" – 0" on each side
Finish:	Anochrome (ANO), Ebony Black (EB)


Profile:



Configurations

Quantity (Q)	20 sets; multiple cartons - no screws
--------------	---------------------------------------

8500T Anochrome (ANO) Finish	
Size	Quantity (Q)
16 inch	8500TQ 16
18 inch	8500TQ 18
20 inch	8500TQ 20
8505T Anochrome (ANO) Finish	
16 inch	8505TQ 16
18 inch	8505TQ 18
20 inch	8505TQ 20
Special Order Only	
8520T	Special Order
8525T	Special Order

Recommended Fasteners	KV Part	Finish	Qty
	#7 x 1/2" Phillips Pin Head Screws	8500-93	Zinc (ZC) 1000
		8500-93 EB	Ebony Black (EB) 1000

8500 Interlok™ Cable Accessory

Required for 8500T, 8505T, 8520T and 8525T Interlok anti-tilt systems.

Product	Size	Packed
8500T-11B 482	For 2-high lateral files	40 per carton
8500T-11B 789	For 3-high lateral files	40 per carton
8500T-11B 1095	For 4-high lateral files	40 per carton

Note: Custom length cables are available as special order. Consult Customer Service for information and availability.



Overhead Door and Desk Slides

4461D 5/8 Variable Height Keyboard Slide 49

8100 3/4 Extension Keyboard Slide 50

8150/8157 3/4 Extension Variable-Height Keyboard Slide 51

8200 3/4 Extension Pencil or Center Drawer Slide 52

8250 3/4 Extension Variable-Height Pencil Drawer Slide 53

8042 EZ Hinged Door Slide 54

8043 EZ Hinged Door Slide 54

8044 EZ Hinged Door Slide 54

8045 EZ Hinged Door Slide 54

8050 EZ Hinged Door Slide 55

	Mounting Style	Load Class	Extension				Disconnect Type				Open/Close Features							
			Ball Bearing	5/8 Extension	3/4 Extension	Full Extension	1" Over-Travel	No Disconnect	Friction Release	Lever Release	Lift Out	Quick Disconnect	Hold In Anti-Rebound	Hold Out / Open	Lock Open	Self-Close	Push-to-Open	Soft-Close
4461D	Under	75	•	•			•				•	•						•
8100	Under	75	•		•		•				•	•						
8150	Under	75	•		•			•			•	•						
8157	Under	75	•		•			•			•	•						•
8200	Under	75	•		•						•	•						
8250	Under	75	•		•			•			•	•						

4461D 5/8 Variable Height Keyboard Slide

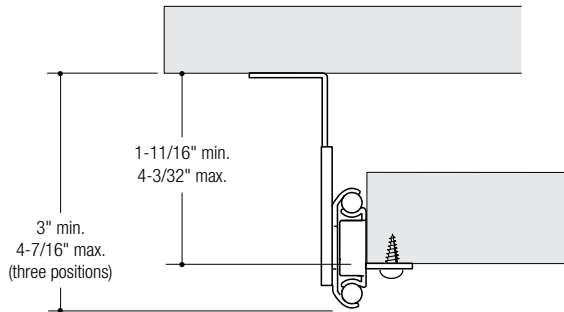


Features

- Mounting brackets adjust to three heights and can be reversed for in-board and out-board mounting
- Anti-rebound stay-close design holds pencil drawer in closed position yet allows for easy opening
- Integrated shelf tabs

Mounting: Under surface
 Action: Ball bearing movement
 Load rating: 75-pound class
 Height: Overall drop height 3-15/16 inches
 to 4-15/16 inches in 1/2 inch increments
 Finish: Black (BLK)


Profile:



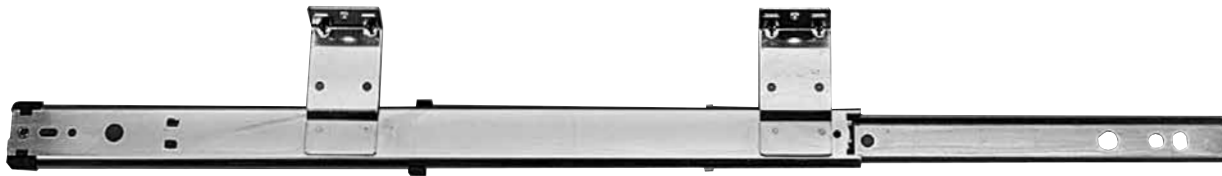
Configurations

Poly (P)	1 set per bag; 10 sets per carton - with screws
----------	---

4461D Black (BLK) Finish	
Size	Poly (P)
15 inch	4461D

Recommended Fasteners	
	#10 x 5/8" Phillips Pan head

8100 Extension Keyboard Slide

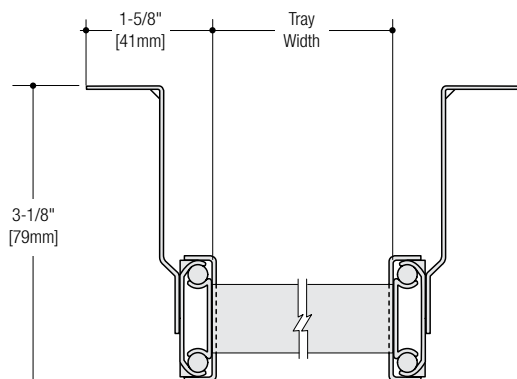


Features

- Hold-out feature keeps drawer securely in the open position
- Hold-in feature prevents keyboard tray bounce back

Mounting: Under surface
 Action: Ball bearing movement
 Load rating: 75-pound class
 Height: 3-1/8 inches overall drop height
 Clearance: 1-5/8 inches per side
 Finish: Anochrome (ANO)


Profile:



Configurations

Poly (P)	1 set per bag; 10 sets per carton - with screws
----------	---

8100 Anochrome (ANO) Finish	
Size	Poly (P)
14 inch	8100P 14
16 inch	8100P 16
18 inch	8100P 18
20 inch	8100P 20

Recommended Fasteners	KV Part	Finish	Qty
 #7 x 1/2" Phillips Pan head	8500-93	Zinc (ZC)	1000

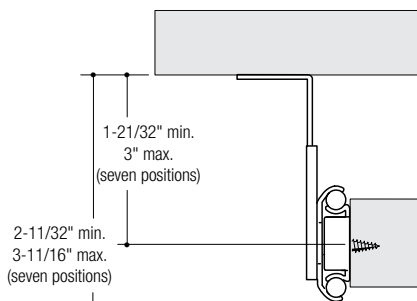
8150, 8157 3/4 Extension Variable Height Keyboard Slide



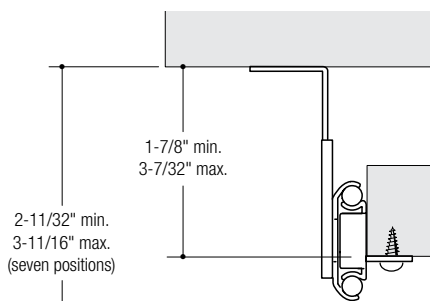
Features

- Mounting brackets adjust to seven different heights and can be reversed for in-board/out-board mounting
- Track member quickly disconnects using positive lever release, easing installation
- Hold-out feature keeps drawer securely in the open position
- Hold-in feature prevents keyboard tray bounce back

8150: 3/4 extension keyboard slide
 8157: 3/4 extension keyboard slide with shelf tabs
 Mounting: Under surface
 Action: Ball bearing movement
 Load rating: 75-pound class
 Height: Overall drop height adjusts from 2-11/32 inches to 3-11/16 inches in 7/32 inch increments
 Clearance: 1-5/8 inches per side out-board
 5/8 inches per side in-board
 Finish: Anochrome (ANO), Ebony Black (EB)
 Profile:



8150



8157

Configurations


Poly (P)	1 set per bag; 10 sets per carton - with screws
Quantity (Q)	20 sets; multiple cartons - no screws

8150 Anochrome (ANO) Finish		
Size	Poly (P)	Quantity (Q)
12 inch	8150P 12	8150Q 12
14 inch	8150P 14	8150Q 14
16 inch	8150P 16	8150Q 16
18 inch	8150P 18	8150Q 18
20 inch	8150P 20	8150Q 20
22 inch	—	8150Q 22

8150 Ebony Black (EB) Finish		
Size	Poly (P)	Quantity (Q)
12 inch	8150P EB 12	—
14 inch	8150P EB 14	8150Q EB 14
16 inch	8150P EB 16	8150Q EB 16
18 inch	8150P EB 18	8150Q EB 18
20 inch	8150P EB 20	8150Q EB 20

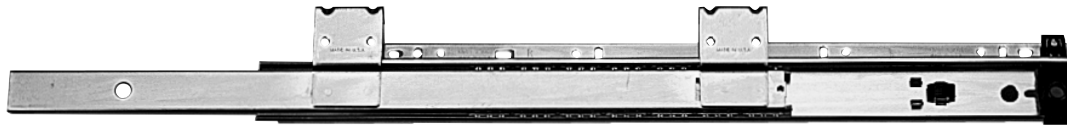
8157 Anochrome (ANO) Finish		
Size	Poly (P)	Quantity (Q)
14 inch	8157P 14	—
16 inch	8157P 16	—
18 inch	8157P 18	—
20 inch	8157P 20	—

8157 Ebony Black (EB) Finish		
Size	Poly (P)	Quantity (Q)
14 inch	8157P EB 14	—
16 inch	8157P EB 16	—
18 inch	8157P EB 18	—
20 inch	8157P EB 20	—

Recommended Fasteners	KV Part	Finish	Qty
 #7 x 1/2" Phillips Pan head	8500-93	Zinc (ZC)	1000

☐ Non-stock item – minimum order quantities and additional lead time may apply.

8200 3/4 Extension Pencil / Center Drawer Slides

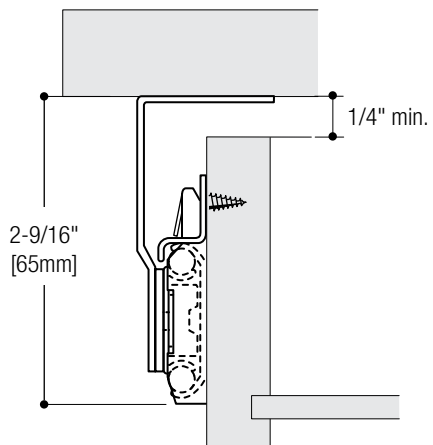


Features

- Quick disconnect drawer members
- Anti-rebound stay-close design holds pencil drawer in closed position yet allows for easy opening

Mounting: Under surface
 Action: Ball bearing movement
 Load rating: 75-pound class
 Height: 2-9/16 inches overall
 Clearance: 1-5/8 inches per side out-board
 5/8 inches per side in-board
 Finish: Anochrome (ANO), Ebony Black (EB)


Profile:



Configurations

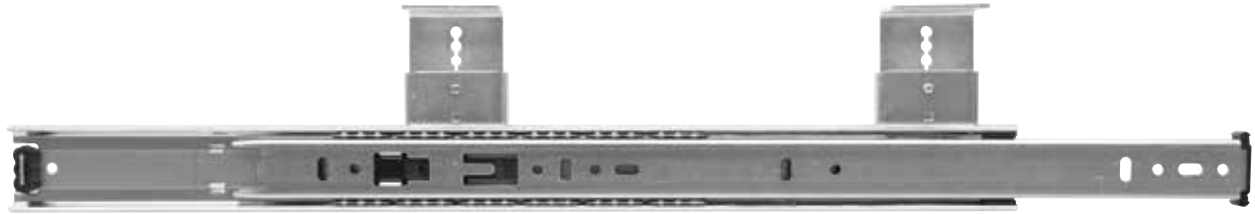
Poly (P)	1 set per bag; 10 sets per carton - with screws
Quantity (Q)	20 sets; multiple cartons - no screws

8200 Anochrome (ANO) Finish		
Size	Poly (P)	Quantity (Q)
12 inch	8200P 12	8200Q 12
14 inch	8200P 14	8200Q 14
16 inch	8200P 16	8200Q 16
18 inch	8200P 18	8200Q 18
20 inch	8200P 20	8200Q 20
22 inch	8200P 22	8200Q 22
24 inch	8200P 24	8200Q 24
8200 Ebony Black (EB) Finish		
12 inch	—	8200Q EB 12
14 inch	—	8200Q EB 14
16 inch	—	8200Q EB 16
18 inch	—	8200Q EB 18
20 inch	—	8200Q EB 20
22 inch	—	8200Q EB 22
24 inch	—	8200Q EB 24

Recommended Fasteners		KV Part	Finish	Qty
	#7 x 1/2" Phillips Pan head	8500-93	Zinc (ZC)	1000

☐ Non-stock item – minimum order quantities and additional lead time may apply.

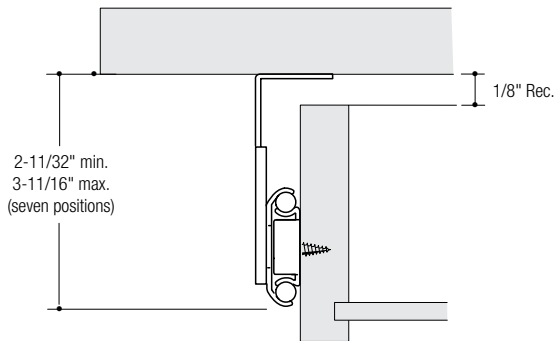
8250 3/4 Extension Variable Height Keyboard Slide



Features

- Mounting brackets adjust to seven heights and can be reversed for in-board and out-board mounting
- Anti-rebound stay-close design holds pencil drawer in closed position yet allows for easy opening
- Track member quickly disconnects using positive lever releases


Mounting: Under surface
 Action: Ball bearing movement
 Load rating: 75-pound class
 Height: Overall drop height 2-11/32 inches to 3-11/16 inches in 7/32 inch increments
 Clearance: 1-5/8 inches per side out-board
 17/32 inches per side in-board
 Finish: Anochrome (ANO), Ebony Black (EB)
 Profile:



Configurations

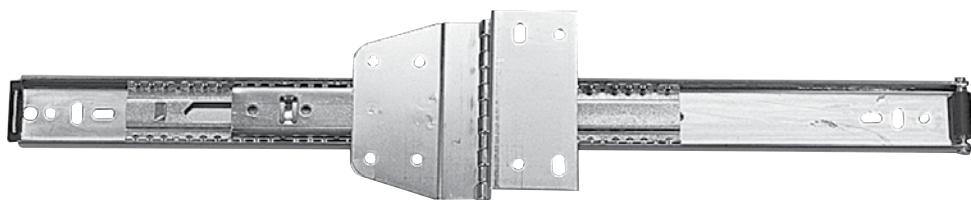
Poly (P)	1 set per bag; 10 sets per carton - with screws
Quantity (Q)	20 sets; multiple cartons - no screws

8250 Anochrome (ANO) Finish		
Size	Poly (P)	Quantity (Q)
10 inch	8250P 10	8250Q 10
12 inch	8250P 12	8250Q 12
14 inch	8250P 14	8250Q 14
16 inch	8250P 16	8250Q 16
18 inch	8250P 18	8250Q 18
20 inch	8250P 20	8250Q 20
22 inch	8250P 22	8250Q 22
8250 Ebony Black (EB) Finish		
12 inch	—	8250Q EB 12
14 inch	—	8250Q EB 14
16 inch	—	8250Q EB 16
18 inch	—	8250Q EB 18
20 inch	—	8250Q EB 20
22 inch	—	8250Q EB 22
24 inch	—	8250Q EB 24

Recommended Fasteners		KV Part	Finish	Qty
	#7 x 1/2" Phillips Pan head	8500-93	Zinc (ZC)	1000

☐ Non-stock item – minimum order quantities and additional lead time may apply.

8040, 8041, 8042, 8043, 8044, 8045 Hinged Door Slides

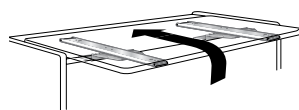
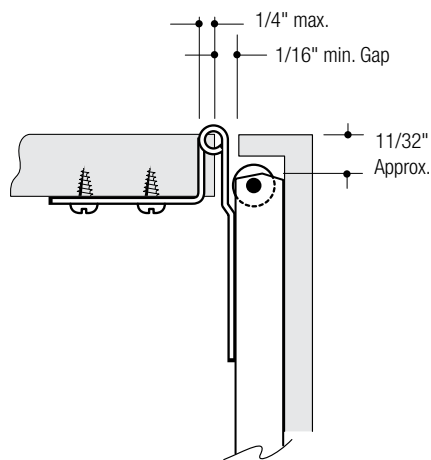


Features

- One piece, non-marring roller
- Permanently staked hinge pin

- 8040EZ: 3/4 inch offset hinge
 8041EZ: 3/4 inch offset hinge and mounting brackets
 8042EZ: 1 inch offset hinge
 8043EZ: 1 inch offset hinge and mounting brackets
 8044EZ: 3/4 inch straight hinge
 8045EZ: 3/4 inch straight hinge and mounting brackets
 Mounting: Hinge mounts to top of case, and the slide mounts to backside of door
 Action: Ball bearing movement
 Load rating: 20-pound class
 Clearance: 3/8 inch low profile mounts to rear side of door
 Finish: Anochrome (ANO), Ebony Black (EB)

Profile:




Up and over application

Configurations

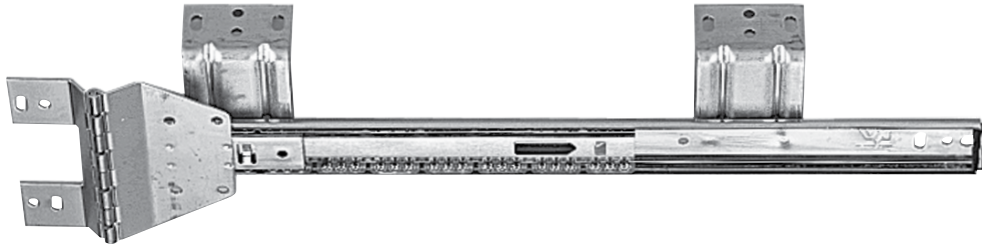
Bulk (B)	20 sets per carton - no screws
Poly (P)	1 set per bag; 10 sets per carton - with screws

8040 Anochrome (ANO) Finish				
Size	Bulk (B)	Poly (P)		
12 inch	8040BEZ 12	8040PEZ 12		
14 inch	8040BEZ 14	8040PEZ 14		
16 inch	8040BEZ 16	8040PEZ 16		
18 inch	8040BEZ 18	8040PEZ 18		
20 inch	8040BEZ 20	8040PEZ 20		
22 inch	8040BEZ 22	8040PEZ 22		
24 inch	8040BEZ 24	8040PEZ 24		
8040 Ebony Black (EB) Finish				
12 inch	8040BEZ EB 12	8040PEZ EB 12		
14 inch	8040BEZ EB 14	8040PEZ EB 14		
16 inch	8040BEZ EB 16	8040PEZ EB 16		
18 inch	8040BEZ EB 18	8040PEZ EB 18		
20 inch	8040BEZ EB 20	8040PEZ EB 20		
22 inch	8040BEZ EB 22	8040PEZ EB 22		
24 inch	8040BEZ EB 24	8040PEZ EB 24		
8041-8045 Anochrome (ANO) Special Order Products				
8041EZ	8042EZ	8043EZ	8044EZ	8045EZ
8041-8045 Ebony Black (EB) Special Order Products				
8041EZ EB	8042EZ EB	8043EZ EB	8044EZ EB	8045EZ EB

Recommended Fasteners	KV Part	Finish	Qty
 #7 x 1/2" Phillips Pan head	8500-93	Zinc (ZC)	1000

☐ Non-stock item – minimum order quantities and additional lead time may apply.

8050 Hinged Door Slide

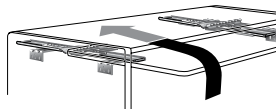
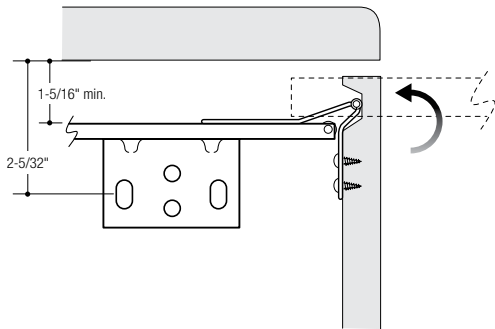


Features

- One-piece, non-marring roller
- Permanently staked hinge pin

Mounting: Under surface
 Action: Ball bearing movement
 Load rating: 20-pound class
 Clearance: 1-5/16 inches minimum
 Finish: Anochrome (ANO)

Profile:




Up and over application

Configurations

Poly (P)	1 set per bag; 10 sets per carton - with screws
Quantity (Q)	20 sets; multiple cartons - no screws

8050 Anochrome (ANO) Finish		
Size	Poly (P)	Quantity (Q)
12 inch	8050PEZ 12	8050QEZ 12
14 inch	8050PEZ 14	8050QEZ 14
16 inch	8050PEZ 16	8050QEZ 16
18 inch	8050PEZ 18	8050QEZ 18
20 inch	8050PEZ 20	8050QEZ 20
22 inch	8050PEZ 22	8050QEZ 22
24 inch	8050PEZ 24	8050QEZ 24

Recommended Fasteners		KV Part	Finish	Qty
	#7 x 1/2" Phillips Pan head	8500-93	Zinc (ZC)	1000

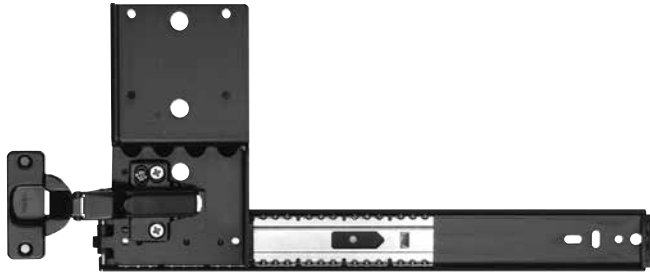
Non-stock item – minimum order quantities and additional lead time may apply.



Door Slides and Hinge Kits

8070 Pivot Door Slide	57
8071 Pivot Door Slide	57
8072 Pivot Door Slide	57
8080 Pivot Door Slide	58
8081 Pivot Door Slide	58
8082 Pivot Door Slide	58
8091 4X4 Pocket Door Slide	59
8092 4X4 Pocket Door Slide	59
4X4 Pocket Door Slide Full Overlay Kit	60
Salice Door Hinges	61

8070, 8071, 8072 Pivot Door Slides



Features

- Cabinet acts as installation log
- Cushioned stops and door hold-out
- Three-way adjustable door hinge

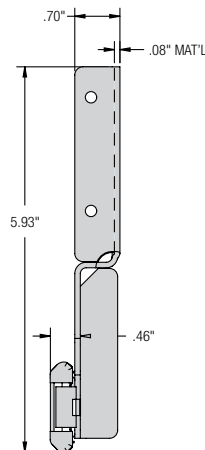
8070: 3/4 extension slide with self-close 35 mm hinge
 8071: 3/4 extension slide without hinge and base
 8072: 3/4 extension slide with attached hinge base
 Mounting: Side mount
 Action: Ball bearing movement
 Load rating: 30-pound class
 Maximum Dimensions:

Horizontal pivot doors: 24" high x 48" wide
 Vertical doors: 42" high x 24" wide

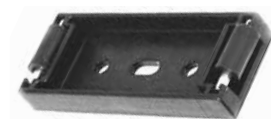
Clearance:

Maximum Slide Width Including Hinges		
Type	Standard	Salice
Self-close hinge	1-23/32 inch	1-21/32 inch
Free-swing hinge	1-23/32 inch	1-21/32 inch
Overlay hinge	1-23/32 inch	1-7/8 inch
Thick door hinge	2-3/32 inch	—
Extra-thick door hinge	2-13/32 inch	2-5/16 inch

Finish: Ebony Black (EB)
 Profile:



8090P CR Raised Panel Cassette Roller



Additional protection for raised panel doors

Product	Pack
8090P CR	1 per poly pack with screws

Configurations

Poly (P)	1 set per bag; 10 sets per carton - with screws
----------	---

8070EZ Ebony Black (EB)		8071EZ Ebony Black (EB)		8072EZ Ebony Black (EB)	
Includes standard 3/4 inset hinge and baseplate		Hinges and baseplates are not included		Baseplate attached; Must order hinges separately	
Size	Poly (P)	Size	Poly (P)	Size	Poly (P)
12 inch	8070PEZ EB 12	12 inch	8071PEZ EB 12	12 inch	8072PEZ EB 12
14 inch	8070PEZ EB 14	14 inch	8071PEZ EB 14	14 inch	8072PEZ EB 14
16 inch	8070PEZ EB 16	16 inch	8071PEZ EB 16	16 inch	8072PEZ EB 16
18 inch	8070PEZ EB 18	18 inch	8071PEZ EB 18	18 inch	8072PEZ EB 18
20 inch	8070PEZ EB 20	20 inch	8071PEZ EB 20	20 inch	8072PEZ EB 20
22 inch	8070PEZ EB 22	22 inch	8071PEZ EB 22	22 inch	8072PEZ EB 22
24 inch	8070PEZ EB 24	24 inch	8071PEZ EB 24	24 inch	8072PEZ EB 24

Recommended Fasteners	KV Part	Finish	Qty
#6 x 13/32" Phillips Pan head	1300-83	Zinc (ZC)	1000

Hinge Kit Options



Hinge Kit (K)	2 hinges per kit; 10 kits per carton
---------------	--------------------------------------

Nickel Hinges (For Use with 8072)		
Kit (K)	Hinge Cup Size	Door Thickness
8080 HKEZS	35 mm	3/4 inch inset
8080 HKEZL	40 mm	3/4 inch overlay
8080 HKEZF	35 mm	3/4 inch free swinging inset
8085 HKEZT	40 mm	1 inch thick inset
8086 HKEZX	40 mm	1-1/4 inch extra thick inset
Ebony Black (EB) Hinges (For Use with 8072)		
Kit (K)	Hinge Cup Size	Door Thickness
8080 HKEZS EB	35 mm	3/4 inch inset
8080 HKEZL EB	40 mm	3/4 inch overlay
8085 HKEZT EB	40 mm	1 inch thick inset
8086 HKEZX EB	40 mm	1-1/4 inch extra thick inset
Salice Hinges (For Use with 8071P EZ) Nickel Finish		
Kit (K)	Hinge Cup Size	Door Thickness
8080 HKS SAL	35 mm	3/4 inch inset
8080 HKF SAL	35 mm	3/4 inch overlay
8080 HKL SAL	40 mm	3/4 inch free swinging inset
8086 HKX SAL	40 mm	1 inch thick inset
Salice Hinges (For Use with 8071P EZ) Ebony Black (EB) Finish		
Kit (K)	Hinge Cup Size	Door Thickness
8080 HKS SAL EB	35 mm	3/4 inch inset
8080 HKF SAL EB	40 mm	3/4 inch overlay
8086 HKL SAL EB	40 mm	1-1/4 inch extra thick inset

For additional information on our salice hinge offerings please see page 61.

8080, 8081, 8082 Pivot Door Slides



Features

- Cushioned stops and door hold-out
- Three-way adjustable door hinge

8080: 3/4 extension slide with self-close 35 mm hinge

8081: 3/4 extension slide without hinge and base

8082: 3/4 extension slide with attached hinge base

Mounting: Side mount

Action: Ball bearing movement

Load rating: 30-pound class

Maximum Dimensions:

Horizontal pivot doors: 24" high x 48" wide

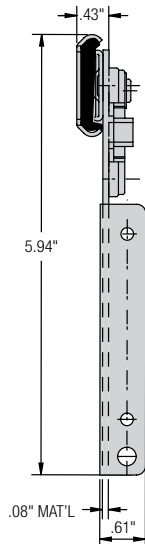
Vertical doors: 42" high x 24" wide

Clearance:

Maximum Slide Width Including Hinges		
Type	Standard	Salice
Self-close hinge	1-23/32 inch	1-21/32 inch
Free-swing hinge	1-23/32 inch	1-21/32 inch
Overlay hinge	1-23/32 inch	1-7/8 inch
Thick door hinge	2-3/32 inch	—
Extra-thick door hinge	2-13/32 inch	2-5/16 inch

Finish: Anochrome (ANO) Ebony Black (EB)

Profile:



8090P CR Raised Panel Cassette Roller



Additional protection for raised panel doors

Product	Pack
8090P CR	1 per poly pack with screws

Configurations

Poly (P)	1 set per bag; 10 sets per carton - with screws				
8080EZ Anochrome (ANO)		8081EZ Anochrome (ANO)		8082EZ Anochrome (ANO)	
Includes hinges and bases		No hinges or bases		Hinge base only	
Size	Poly (P)	Size	Poly (P)	Size	Poly (P)
12 inch	8080PEZ EB 12	12 inch	8081PEZ EB 12	12 inch	8082PEZ EB 12
14 inch	8080PEZ EB 14	14 inch	8081PEZ EB 14	14 inch	8082PEZ EB 14
16 inch	8080PEZ EB 16	16 inch	8081PEZ EB 16	16 inch	8082PEZ EB 16
18 inch	8080PEZ EB 18	18 inch	8081PEZ EB 18	18 inch	8082PEZ EB 18
20 inch	8080PEZ EB 20	20 inch	8081PEZ EB 20	20 inch	8082PEZ EB 20
22 inch	8080PEZ EB 22	22 inch	8081PEZ EB 22	22 inch	8082PEZ EB 22
24 inch	8080PEZ EB 24	24 inch	8081PEZ EB 24	24 inch	8082PEZ EB 24
8080EZ Ebony Black (EB)		8081EZ Ebony Black (EB)		8082EZ Ebony Black (EB)	
12 inch	8080PEZ EB 12	12 inch	8081PEZ EB 12	12 inch	8082PEZ EB 12
14 inch	8080PEZ EB 14	14 inch	8081PEZ EB 14	14 inch	8082PEZ EB 14
16 inch	8080PEZ EB 16	16 inch	8081PEZ EB 16	16 inch	8082PEZ EB 16
18 inch	8080PEZ EB 18	18 inch	8081PEZ EB 18	18 inch	8082PEZ EB 18
20 inch	8080PEZ EB 20	20 inch	8081PEZ EB 20	20 inch	8082PEZ EB 20
22 inch	8080PEZ EB 22	22 inch	8081PEZ EB 22	22 inch	8082PEZ EB 22
24 inch	8080PEZ EB 24	24 inch	8081PEZ EB 24	24 inch	8082PEZ EB 24

Recommended Fasteners	KV Part	Finish	Qty
#6 x 13/32" Phillips Pan head	1300-83	Zinc (ZC)	1000

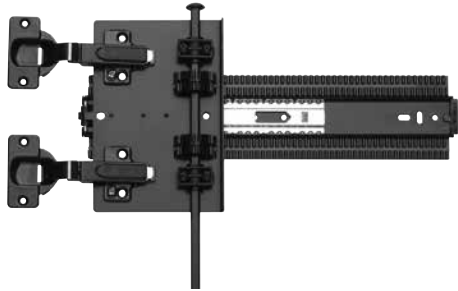
Hinge Kit Options



Hinge Kit (K)	2 hinges per kit; 10 kits per carton		
Hinge Pack (P)	40 hinges per carton		
Nickel Hinges (For Use with 8082P and 8082Q)			
Kit (K)	Hinge Pack (P)	Hinge Cup Size	Door Thickness
8080 HKEZS	8080 HPEZS	35 mm	3/4 inch inset
8080 HKEZL	8080 HPEZL	40 mm	3/4 inch overlay
8080 HKEZF	8080 HPEZF	35 mm	3/4 inch free swinging inset
8085 HKEZT	8085 HPEZT	40 mm	1 inch thick inset
8086 HKEZX	8086 HPEZX	40 mm	1-1/4 inch extra thick inset
Ebony Black (EB) Hinges (For Use with 8082P and 8082Q)			
Kit (K)	Hinge Pack (P)	Hinge Cup Size	Door Thickness
8080 HKEZS EB	8080 HPEZS EB	35 mm	3/4 inch inset
8080 HKEZL EB	8080 HPEZL EB	40 mm	3/4 inch overlay
8085 HKEZT EB	8085 HPEZT EB	40 mm	1 inch thick inset
8086 HKEZX EB	8086 HPEZX EB	40 mm	1-1/4 inch extra thick inset
Salice Hinges (For Use with 8081P) Nickel Finish			
Kit (K)	Hinge Pack (P)	Hinge Cup Size	Door Thickness
8080 HKS SAL	—	35 mm	3/4 inch inset
8080 HKF SAL	—	35 mm	3/4 inch overlay
8080 HKL SAL	—	40 mm	3/4 inch free swinging inset
8086 HKX SAL	—	40 mm	1 inch thick inset
Salice Hinges (For Use with 8081P) Ebony Black (EB) Finish			
Kit (K)	Hinge Pack (P)	Hinge Cup Size	Door Thickness
8080 HKS SAL EB	—	35 mm	3/4 inch inset
8080 HKL SAL EB	—	40 mm	3/4 inch overlay
8086 HKX SAL EB	—	40 mm	1-1/4 inch extra thick inset

For additional information on our salice hinge offerings please see page 61.

8091, 8092 Pivot Door Slides



Features

- Rack and pinion design
- Multiple hinge options
- Greatly reduces door sag
- Requires partition installation

8091: Hinge and baseplate not included
 8092: Baseplate attached; hinge must be ordered separately
 Mounting: Side mount
 Action: Ball bearing movement
 Load rating: 75-pound class
 Maximum Dimensions:

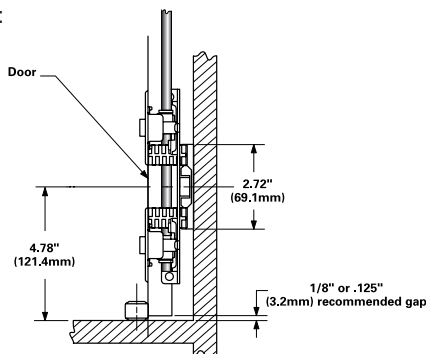
Vertical doors: 72" high x 26" wide

Clearance:

Maximum Slide Width Including Hinges		
Type	Standard	Salice
Self-close hinge	1-23/32 inch	1-21/32 inch
Free-swing hinge	1-23/32 inch	1-21/32 inch
Overlay hinge	1-23/32 inch	1-7/8 inch
Thick door hinge	2-3/32 inch	-
Extra-thick door hinge	2-13/32 inch	2-5/16 inch

Finish: Ebony Black (EB)

Profile:



8090P CR Raised Panel Cassette Roller



Additional protection for raised panel doors

Product	Pack
8090P CR	1 per poly pack with screws

Configurations

Poly (P)	1 set per bag; 6 sets per carton - with screws
----------	--

8091 Ebony Black (EB)		8092 Ebony Black (EB)	
Size	Poly (P)	Size	Poly (P)
12 inch	8091P EB 12	12 inch	8092P EB 12
14 inch	8091P EB 14	14 inch	8092P EB 14
16 inch	8091P EB 16	16 inch	8092P EB 16
18 inch	8091P EB 18	18 inch	8092P EB 18
20 inch	8091P EB 20	20 inch	8092P EB 20
22 inch	8091P EB 22	22 inch	8092P EB 22
24 inch	8091P EB 24	24 inch	8092P EB 24
26 inch	8091P EB 20	26 inch	8092P EB 20
28 inch	8091P EB 22	28 inch	8092P EB 22
30 inch	8091P EB 24	30 inch	8092P EB 24

Recommended Fasteners	KV Part	Finish	Qty
#6 x 13/32" Phillips Pan head	1300-83	Zinc (ZC)	1000

Hinge Kit Options



Hinge Kit (K)	2 hinges per kit; 10 kits per carton
Hinge Pack (P)	40 hinges per carton

Nickel Hinges (For Use with 8092)

Kit (K)	Hinge Pack (P)	Hinge Cup Size	Door Thickness
8080 HKEZS	8080 HPEZS	35 mm	3/4 inch inset
8080 HKEZL	8080 HPEZL	40 mm	3/4 inch overlay
8080 HKEZF	8080 HPEZF	35 mm	3/4 inch free swinging inset
8085 HKEZT	8085 HPEZT	40 mm	1 inch thick inset
8086 HKEZX	8086 HPEZX	40 mm	1-1/4 inch extra thick inset

Ebony Black (EB) Hinges (For Use with 8092)

8080 HKEZS EB	8080 HPEZS EB	35 mm	3/4 inch inset
8080 HKEZL EB	8080 HPEZL EB	40 mm	3/4 inch overlay
8085 HKEZT EB	8085 HPEZT EB	40 mm	1 inch thick inset
8086 HKEZX EB	8086 HPEZX EB	40 mm	1-1/4 inch extra thick inset

Salice Hinges (For Use with 8091) Nickel Finish

8080 HKS SAL	-	35 mm	3/4 inch inset
8080 HKF SAL	-	35 mm	3/4 inch overlay
8080 HKL SAL	-	40 mm	3/4 inch free swinging inset
8086 HKX SAL	-	40 mm	1 inch thick inset

Salice Hinges (For Use with 8091) Ebony Black (EB) Finish

8080 HKS SAL EB	-	35 mm	3/4 inch inset
8080 HKL SAL EB	-	40 mm	3/4 inch overlay
8086 HKX SAL EB	-	40 mm	1-1/4 inch extra thick inset

For additional information on our salice hinge offerings please see page 61.

8090B Pinion Shafts for 4x4 Pocket Door Slides

SB Pack (SB) - 1 pair of shafts	Bulk Pack (B) - 10 each
---------------------------------	-------------------------

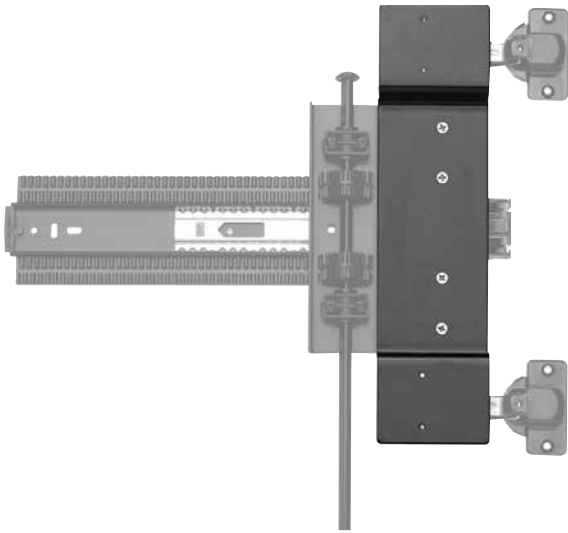
8090B Pinion Shaft Ebony Black (EB) Finish

Size	Bulk (B)	Quantity	Door Thickness
36 inch	8090B EB 36	10	3/4 inch inset
48 inch	8090B EB 48	10	3/4 inch overlay
72 inch	8090B EB 72	10	3/4 inch free swinging inset

8092SB Pinion Shaft Ebony Black (EB) Finish

36 inch	8092SB EB 36	2	3/4 inch inset
48 inch	8092SB EB 48	2	3/4 inch overlay
72 inch	8092SB EB 72	2	3/4 inch free swinging inset

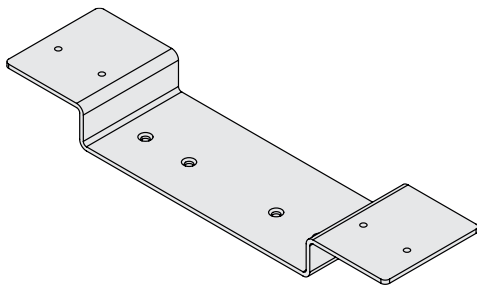
4x4 Pocket Door Full Overlay Kit



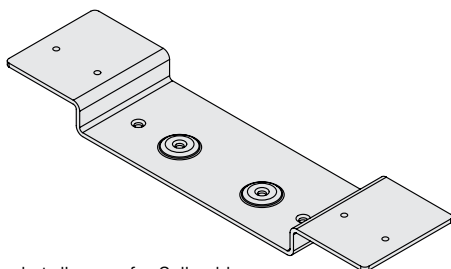
Features

- Provides a full door overlay on doors up to 3/4 inch thick
- Does not compromise key performance features of 4x4 pocket door system
- Systems for both Mepla and Salice hinges

Mounting: Mounts directly to KV 8091 series slide
 Load rating: 75-pound class
 Finish: Black



Bracket diagram for Mepla hinge



Bracket diagram for Salice hinge

Configurations

	Brackets	Overlay Hinges	Hinge Bases	Hinge Cover Base	Protective Felt Pads	Packed
Poly (P)	Qty: 2	Qty: 4	Qty: 4	Qty: 4	Qty: 4	6 kits/ carton

8091 Full Overlay Pocket Door Kit Black (BLK) Finish	
Poly (P)	Hinge Compatibility
8091FULL3/4 M	Mepla
8091FULL3/4 S	Salice

8091 Full Overlay Pocket Door Kit Black (BLK) Finish		
Door Thickness	Amount of Overlay	Pocket Width
3/4 inch	3/4 inch	1-3/4 inch
13/16 inch	11/16 inch	1-13/16 inch
7/8 inch	5/8 inch	1-7/8 inch
15/16 inch	9/16 inch	1-15/16 inch
1 inch	1/2 inch	2 inch
1-1/16 inch	7/16 inch	2-1/16 inch
1-1/8 inch	3/8 inch	2-1/8 inch
1-3/16 inch	5/16 inch	2-3/16 inch
1-1/4 inch	1/4 inch	2-1/4 inch

Full Overlay Kit Installation Requirements

- Overlay kits require the use of a KV 8091 series slide
- Overlay kits require the use of a pinion shaft
- Overlay kits require the use of a partition wall within the cabinet

Salice Hinge Kits



1. **Depth Adjustment Cam**
The horizontal (lateral) adjustment range is 6 mm.
The depth adjustment range is 3.1 mm (–0.5 mm to +2.8 mm) for all hinge bases.
2. **Horizontal (Lateral) Adjustment Cam**
The horizontal (lateral) adjustment range is 6 mm (–1.5 mm to +4.5 mm for 35 mm cup hinges; –0.5 mm to +5.5 mm for 40 mm cup hinges), while maintaining a constant gap behind the door.
3. **Vertical (Height) Adjustment Cam**
The vertical (height) adjustment range is 4 mm (–2 mm to +2 mm).

Features

- Three-way cam hinges for easy adjustment
- Horizontal, vertical and depth changes can be made without loosening any screws
- Four types of hinges for a variety of application

Clearance:	8080 HKS standard hinge - 1-21/32 inches
	8080 HKF free swing hinge - 1-21/32 inches
	8080 HKL partial overlay hinge - 1-37/64 inches
	8080 HKX extra thick door hinge - 1-37/64 inches
Finish:	Black (BLK), Nickel (NP)

Configurations

Pack Configurations		Hinge Base	Hinges	Screws	Cover Caps
Kit (K)	2 per bag; 10 bags per carton	Yes	Yes	Yes	Yes

Nickel (NP) Finish Salice Hinges for Use with 8071, 8081, 8091 Pocket Door Slides		
Kit (K)	Hinge Cup Size	Door Thickness
8080 HKS SAL	35 mm	3/4 inch
8080 HKF SAL	35 mm	3/4 inch free swing
8080 HKL SAL	40 mm	3/4 inch overlay
8080 HKX SAL	40 mm	1-1/4 inch extra thick
Black (EB) Finish Salice Hinges for Use with 8071, 8081, 8091 Pocket Door Slides		
8080 HKS SAL EB	35 mm	3/4 inch
8080 HKL SAL EB	40 mm	3/4 inch overlay
8080 HKX SAL EB	40 mm	1-1/4 inch extra thick



Shelving and Storage

Adjustable Wall-Mounted Shelving Systems

Standards and Brackets Quick Reference Guide 63

Pilaster Adjustable Shelving Systems

255 Series Mortise-Mount Pilaster Shelving System 64–65
 233 Series Surface-Mount Pilaster Shelving System 66

Regular-Duty Adjustable Shelving Systems

70/170 Series Standard and Bracket System 67
 71/170 Series Standard and Bracket System 67
 80/180 Series Standard and Bracket System 68–69
 160LL/179/181 Series Brackets 70
 79/7980 Series Hangrail System 71

Heavy-Duty Adjustable Shelving Systems

82/182 Series Standard and Bracket System 72–73
 79/7982 Series Hangrail System 73
 83/183 Series Standard and Bracket System 74–75
 161LL Series Lock Lever Bracket 75

Extra-Duty Adjustable Shelving System

85/185 Standard and Bracket System 76–77

Super-Duty Adjustable Steel Shelving System

87/186LL/187LL Series Standard and Bracket System 78–79
 1987 Series Galvanized Steel Shelves 80
 87/186LL/187LL Series Stainless Steel Standard and Bracket System 80–81
 1987 Series Stainless Steel Shelves 80

Built-in Shelving Accessories

335 Series Plastic Shelf Supports 82
 338 Series Plastic Shelf Supports 82
 345 Series Shelf Supports 82
 346 Series Shelf Supports 82
 Misc. Shelf Supports 83

Utility Shelving Brackets

204 Series L-Bracket 84
 206 Series Extra-Duty Folding L-Bracket 84
 208 Series Ultimate L-Bracket 85
 221 Series Utility L-Bracket 85

Decorative Shelving Brackets

88/ 888 Series Wood Shelf Anchor® 86
 215 Series Slim-Line™ Shelf Bracket 86
 216 Series Simplicity™ Shelf Bracket 86
 217 Series Silhouette™ Shelf Bracket 86
 200 Series Designer Shelf Brackets 87–88

Shelf Board

1980 Series 5/8 inch Shelf Board 89
 1990 Series 3/4 inch Shelf Board 89

Shelving Quick Reference Guide

Knappe and Vogt pioneered the development of the modern standards and bracket system of wall shelving, and we're still the leader in selection, quality, and innovation. With one of the industry's widest selection of systems and component accessories, chances are we make a shelving system just right for you. To aid your selection process, we've created a comparison chart that lists the vital characteristics of our standards and bracket systems, as well as available finishes and accessories. If you still have questions or need more details, please contact KV Customer Service.

Part	Description	Features						Finish Options										Pack Options							
		1 inch Center Adjustment	1-1/4 inch Center Adjustment	2 inch Center Adjustment	Single Track	Double Track	Lock Lever	Almond (ALM)	Anochrome (ANO)	Black (BLK)	Brass-look (BR)	Brown (BRN)	Clear (CL)	Stainless Steel (SS)	Galvanized Steel (GALV)	Titanium (TI)	White (WH)	Zinc (ZC)	Economy Zinc (E)	Standard Pack	Builders Pack (BP)	Display Pack (DP)	Heavy Pack (HP)	Warehouse Pack (WP)	
70/170 Regular-Duty Adjustable Standard and Bracket System																									
70	Standard	•		•															•	•					
170 E	Bracket	•		•															•	•					
71/170 Regular-Duty Adjustable Standard and Bracket System																									
71	Narrow Faced Standard	•		•				•												•					
170 ANO	Bracket	•		•				•												•					
80/180 Regular-Duty Adjustable Standard and Bracket System																									
79/7980	Hang Rail & Standard Link			•											•	•							•		
80	Standard	•		•			•	•	•	•	•				•	•				•	•				
180	Bracket	•		•			•	•	•	•	•				•	•				•	•			•	
181	Lipless Bracket	•		•			•													•					
160LL	Lock Lever Bracket	•		•		•		•												•					
179	Adjustable Angle Bracket	•		•				•												•					
80-88	Screws/Anchors						•	•	•	•	•				•	•				•	•	•			
82/182 Heavy-Duty Adjustable Standard and Bracket System																									
79/7982	Hang Rail & Standard Link			•											•	•							•		
82	Standard	•		•			•	•	•						•	•				•	•				
182	Bracket	•		•			•	•							•	•				•	•				
182BE	Bookend	•		•												•				•					
82DP Screw	Screws/Anchors																	•					•		
182DP LCTR/JNR	Shelf Locater/Joiner	•									•												•		
182DP LOCK	Bracket Lock Tab	•		•				•															•		
83/183 Oversized Heavy-Duty Adjustable Standard and Bracket System																									
83 ANO	Oversized Standard	•		•				•												•					
183	Flange Bracket	•		•				•												•					
161LL	Lock Lever Bracket	•		•		•		•												•					
85/185 Extra-Duty Adjustable Standard and Bracket System																									
85	Standard	•		•				•								•				•					
185	Bracket	•		•				•								•				•					
106 ANO	Shelf Rest	•						•												•					
107 ANO	Hang Rod Clamp	•						•												•					
87/187 Super-Duty Adjustable Standard and Bracket System																									
87	Standard			•	•			•					•		•					•					
186LL	Lock Lever Bracket			•	•			•					•		•					•					
187LL	Lock Lever Bracket			•	•			•					•		•					•					
1987	Steel Shelves												•	•						•					

255™/256™ Series Mortise-Mount Pilaster Shelving System

Features

- Holds up to 500 pounds per shelf
- Mortise-mount system
- 1/2 inch vertical slot adjustment
- BHMA grade 1 compliant
- Wide selection of finishes and sizes
- Numbered slots for fast, accurate clip insertion
- Countersunk nail and screw holes
- Limited lifetime warranty
- Made in the USA

255 Series Steel Standards

Dimensions: 5/8 inch width x 3/16 inch deep x selected length

Material: 23 gauge high strength steel

Finish: Almond (ALM), Brass-look (BR), Brown (BRN), White (WH), Zinc (ZC), Economy Zinc (E)

Pack Configurations						
Standard	12 – 60 inch, packed 100 standards per carton; 72 – 96 inch, packed 50 standards per carton					
Retail (P)	20 standards per carton					
255 Steel Standards Standard Pack						
Size	Almond (ALM)	Brass-look (BR)	Brown (BRN)	Economy Zinc (E)	White (WH)	Zinc (ZC)
12 inch	255 ALM 12	255 BR 12	255 BRN 12	255 E 12	255 WH 12	255 ZC 12
18 inch	255 ALM 18	255 BR 18	255 BRN 18	–	255 WH 18	255 ZC 18
24 inch	255 ALM 24	255 BR 24	255 BRN 24	255 E 24	255 WH 24	255 ZC 24
30 inch	255 ALM 30	–	255 BRN 30	–	255 WH 30	255 ZC 30
36 inch	255 ALM 36	255 BR 36	255 BRN 36	255 E 36	255 WH 36	255 ZC 36
42 inch	–	–	–	–	–	255 ZC 42
48 inch	255 ALM 48	255 BR 48	255 BRN 48	255 E 48	255 WH 48	255 ZC 48
60 inch	255 ALM 60	255 BR 60	255 BRN 60	255 E 60	255 WH 60	255 ZC 60
72 inch	255 ALM 72	255 BR 72	255 BRN 72	255 E 72	255 WH 72	255 ZC 72
84 inch	255 ALM 84	255 BR 84	255 BRN 84	255 E 84	255 WH 84	255 ZC 84
96 inch	255 ALM 96	255 BR 96	255 BRN 96	255 E 96	255 WH 96	255 ZC 96
255 Steel Standards Retail Pack (PK)						
24 inch	–	PK255 BR 24	PK255 BRN 24	–	PK255 WH 24	PK255 ZC 24
36 inch	PK255 ALM 36	PK255 BR 36	PK255 BRN 36	–	PK255 WH 36	PK255 ZC 36
48 inch	PK255 ALM 48	PK255 BR 48	PK255 BRN 48	–	PK255 WH 48	PK255 ZC 48
60 inch	PK255 ALM 60	PK255 BR 60	PK255 BRN 60	–	PK255 WH 60	PK255 ZC 60
72 inch	PK255 ALM 72	PK255 BR 72	PK255 BRN 72	–	PK255 WH 72	PK255 ZC 72



255 Series Aluminum Standards

Dimensions: 5/8 inch width x 3/16 inch deep x selected length

Material: 17 gauge aluminum

Finish: Brass-look (BR), Brown (BRN), Natural (AL), Walnut (WAL)

Pack Configurations						
Standard	12 – 60 inch, packed 100 standards per carton; 72 – 96 inch, packed 50 standards per carton					
Retail (P)	20 standards per carton					
255 Aluminum Standards Standard Pack				255 Standards Retail Pack (PK)		
Size	Natural (AL)	Brass-look (BR)	Brown (BRN)	Walnut (WAL)	Size	Walnut (WAL)
12 inch	255AL 12	255AL BR 12	255AL BRN 12	255AL WAL 12	36 inch	PK255AL WAL 36
18 inch	255AL 18	255AL BR 18	–	255AL WAL 18	48 inch	PK255AL WAL 48
24 inch	255AL 24	255AL BR 24	255AL BRN 24	255AL WAL 24	60 inch	PK255AL WAL 60
30 inch	255AL 30	255AL BR 30	–	255AL WAL 30	72 inch	PK255AL WAL 72
36 inch	255AL 36	255AL BR 36	255AL BRN 36	255AL WAL 36		
42 inch	255AL 42	–	–	–		
48 inch	255AL 48	255AL BR 48	255AL BRN 48	255AL WAL 48		
60 inch	255AL 60	255AL BR 60	255AL BRN 60	255AL WAL 60		
72 inch	255AL 72	255AL BR 72	255AL BRN 72	255AL WAL 72		
84 inch	255AL 84	255AL BR 84	255AL BRN 84	255AL WAL 84		
96 inch	255AL 96	255AL BR 96	255AL BRN 96	255AL WAL 96		



Plated finish products only

□ Non-stock item – minimum order quantities and additional lead time may apply.

255™/256™ Series Mortise-Mount Pilaster Shelving System

256 Series Pilaster Shelf Support

Material: High-strength steel, Aluminum (AL)
 Origin: Made in the USA
 Finish: Almond (ALM), Natural Aluminum (AL NAT), Brass-look (BR), Walnut (WAL), White (WH), Zinc (ZC)
 Features: 256 WAL for use with 255 BRN pilaster standards
 Patented design

Pack Configurations	
Standard Pack	100 pieces per carton
Bulk (B)	1000 pieces per carton
Barrel (BBL)	9000 pieces per carton
Poly (P)	12 supports and 28 nails per bag; 10 bags per carton
Warehouse (WP)	12 supports and 28 nails per bag; 50 bags per carton

256 Shelf Supports Almond (ALM) Finish				
Standard	Bulk (B)	Barrel (BBL)	Poly (P)	Warehouse (WP)
256S ALM	-	-	256S P ALM	256S WP ALM
256 Shelf Supports Brass-look (BR) Finish				
256 BR	256B BR	256BBL BR	256P BR	256WP BR
256 Shelf Supports Walnut (WAL) Finish				
256 WAL	256B WAL	256BBL WAL	256P WAL	256WP WAL
256 Shelf Supports White (WH) Finish				
256S WH	-	-	256S P WH	256S WP WH
256 Shelf Supports Zinc (ZC) Finish				
256 ZC	256B ZC	256BBL ZC	256P ZC	256WP ZC
256 Shelf Supports Natural Aluminum (AL NAT) Finish				
256 AL NAT	-	-	-	-

ALM



AL NAT



BR



WAL



WH



ZC



Specialty Pilaster Shelf Supports

Part #: **256R ZC:** Support with Rubber Cushion
239 ZC: Shelf Support
243 ZC: 3 inch Shelf Bracket (non-handed)
244 ANO: For wire shelves
757 ANO: Flange for 1-1/16 inch OD closet rod

Material: High-strength steel, cold rolled steel
 Origin: Made in the USA
 Finish: Anochrome (ANO), Zinc (ZC)
 Packed: 100 per carton

256R



239



244



243



757



229 Series Support Bracket

Finish: Anochrome (ANO)
 Packed: 25 per carton

229 Bracket	
Size	Anochrome (ANO)
4 inch	229 ANO 4
6 inch	229 ANO 6
8 inch	229 ANO 8
10 inch	229 ANO 10

229



233™ /237™ Series Surface Mount Pilaster Shelving System

Features

- Holds up to 500 pounds per shelf
- Surface mount system
- 1/2 inch vertical slot adjustability
- BHMA Grade 1 compliant
- Numbered slots for quick, accurate clip insertion
- Countersunk nail, screw and staple holes
- Limited lifetime warranty
- Made in the USA

233 Surface Mount Steel Pilaster Standards

Dimensions: 13/16 inch width x 3/16 inch deep x selected height

Material: 23 gauge high-strength steel

Finish: Brass-look (BR), Steel (STL), Zinc (ZC)

Pack Configurations	
Standard	12–60 inch packed 100 standards per carton; 72–96 inch packed 50 standards per carton
Retail (P)	20 standards per carton

233 Series Steel Standards Standard Pack				233 Series Steel Standards Poly Pack (P)	
Size	Brass-look (BR)	Steel (STL)	Zinc (ZC)	Size	Zinc (ZC)
12 inch	233 BR 12	233 STL 12	233 ZC 12	48 inch	PK233 ZC 48
18 inch	–	–	233 ZC 18	72 inch	PK233 ZC 72
24 inch	–	233 STL 24	233 ZC 24		
30 inch	–	–	233 ZC 30		
36 inch	233 BR 36	233 STL 36	233 ZC 36		
42 inch	–	–	233 ZC 42		
48 inch	233 BR 48	233 STL 48	233 ZC 48		
60 inch	233 BR 60	233 STL 60	233 ZC 60		
72 inch	233 BR 72	233 STL 72	233 ZC 72		
84 inch	–	233 STL 84	233 ZC 84		
96 inch	233 BR 96	233 STL 96	233 ZC 96		

BR



ZC

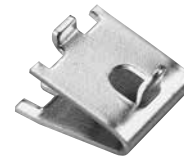


Pilaster Shelf Supports

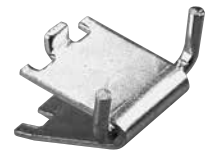
- Part #: **237 ZC:** Shelf support for 233 pilaster
238 ANO: Shelf support with locator tab
242 ANO: Wire shelf support
- Finish: Anochrome (ANO), Zinc (ZC)
- Packed: 100 pieces per carton



237



238



242

Nails for 255 and 233 Series Standards

Pack Configurations	
Standard	Approximately 650 nails per bag; 5 bags per carton

255 and 233 Nails		
Part	Finish	Use with:
255-81N ALM	Almond (ALM)	255 ALM
255-81N BR	Brass-look (BR)	255BR, 233BR, 255AL BR
255-81N STB	Bronzed (STB)	255BRN, 255 AL BRN, 255 WAL
255-81N WH	White (WH)	255WH
255-81N ZC	Zinc (ZC)	255ZC, 233ZC, 255E, 255AL



255-81N

□ Non-stock item – minimum order quantities and additional lead time may apply.

70™ / 71™ / 170™ Regular-Duty Standard and Bracket System

70 Series Standards

Dimensions: 5/8 inch wide x 13/32 inch deep x selected height

Material: 16 gauge steel

Finish: Economy Zinc (E)

Pack Configurations	
Retail (P)	10 per carton, screws not included, UPC label applied

70 Series Standards	
Size	Economy Zinc (E)
24 inch	P70 E 24
36 inch	P70 E 36
48 inch	P70 E 48
72 inch	P70 E 72

170E Series Brackets

Material: 16 gauge steel

Finish: Economy Zinc (E)

Pack Configurations	
Standard	50 per carton, no UPC
Retail (P)	20 per carton, UPC label applied

170 Series Brackets		
Size	Standard	Poly (P)
8 inch	170E 8	P170E 8
10 inch	170E 10	P170E 10
12 inch	170E 12	P170E 12
48 inch	170E 48	—

71 Series Narrow Standards

Dimensions: 5/16 inch wide x 13/32 inch deep x selected height

Material: 16 gauge steel

Finish: Anochrome (ANO)

Pack Configurations	
Standard	10 per carton

71 Series Standards	
Size	Anochrome (ANO)
48 inch	71 ANO 48
60 inch	71 ANO 60
72 inch	71 ANO 72
84 inch	71 ANO 84
96 inch	71 ANO 96

170 ANO Series Brackets

Material: 16 gauge steel

Finish: Anochrome (ANO)

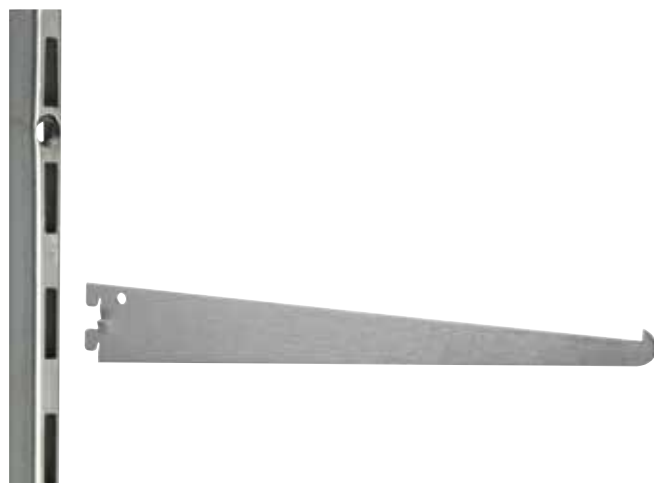
Pack Configurations	
Standard	10 per carton

170 Series Brackets	
Size	Anochrome (ANO)
10 inch	170 ANO 10
12 inch	170 ANO 12
14 inch	170 ANO 14



Features

- Holds up to 200 pounds per pair*
- Regular-Duty system
- Single slot system
- 1 inch vertical slot adjustment
- BHMA Grade 2 compliant
- Limited Lifetime warranty
- Made in the USA



Features

- Holds up to 210 pounds per pair*
- Regular-Duty system
- Single slot system
- 1 inch vertical slot adjustment
- BHMA Grade 2 compliant
- Limited Lifetime warranty
- Made in the USA

80™/180™ Regular-Duty Standard and Bracket System

Features

- Holds up to 320 pounds per pair*
- Regular-Duty system
- Single slot design
- 1 inch vertical slot adjustability
- BHMA Grade 2 compliant
- Spring clip for stability and friction lock
- Shelf retaining lip on bracket
- Two locking teeth
- Limited lifetime warranty
- Made in the USA

80 Series Standards

Dimensions: 5/8 inch wide x 13/32 inch deep x selected length

Material: 16 gauge steel

Finish: Almond (ALM), Anochrome (ANO), Black (BLK), Brass-look (BR), Brown (BN), Titanium (TI), White (WH)

Pack Configurations	
Standard	10 standards per carton, with UPC labels
Builders Pack (BP)	20 standards per carton, no UPC labels

80 Series Standards Standard Pack							
Size	Almond (ALM)	Anochrome (ANO)	Black (BLK)	Brown (BN)	Brass-look (BR)	Titanium (TI)	White (WH)
12 inch	80 ALM 12	80 ANO 12	80 BLK 12	80 BN 12	80 BR 12	80 TI 12	80 WH 12
18 inch	–	80 ANO 18	–	–	–	–	–
24 inch	80 ALM 24	80 ANO 24	80 BLK 24	80 BN 24	80 BR 24	80 TI 24	80 WH 24
36 inch	80 ALM 36	80 ANO 36	80 BLK 36	80 BN 36	80 BR 36	80 TI 36	80 WH 36
48 inch	80 ALM 48	80 ANO 48	80 BLK 48	80 BN 48	80 BR 48	80 TI 48	80 WH 48
60 inch	80 ALM 60	80 ANO 60	80 BLK 60	80 BN 60	80 BR 60	80 TI 60	80 WH 60
72 inch	80 ALM 72	80 ANO 72	80 BLK 72	80 BN 72	80 BR 72	80 TI 72	80 WH 72
84 inch	–	80 ANO 84	–	–	–	–	–
96 inch	–	80 ANO 96	80 BLK 96	–	80 BR 96	80 TI 96	80 WH 96

80™ Series Standards Builder Pack (BP)	
Size	Anochrome (ANO)
24 inch	80BP ANO 24
36 inch	80BP ANO 36
48 inch	80BP ANO 48
60 inch	80BP ANO 60
72 inch	80BP ANO 72

*Standards and brackets meet or exceed ANSI performance standards as established by BHMA testing requirements.



80™/180™ Regular-Duty Standard and Bracket System

180 Series Brackets

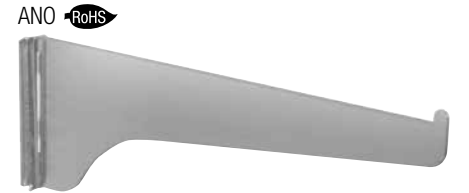
Material: 14 and 16 gauge steel
 Origin: Made in the USA
 Finish: Almond (ALM), Anochrome (ANO), Black (BLK), Brass-look (BR), Brown (BN), Titanium (TI), White (WH)

Pack Configurations	
Standard	10 brackets per carton with UPC labels attached
Hefty Pack (HP)	40 brackets per display carton, with UPC labels
Builders Pack (BP)	100 brackets per carton, no UPC labels

180 Series Brackets Standard Pack							
Size	Almond (ALM)	Anochrome (ANO)	Black (BLK)	Brown (BN)	Brass-look (BR)	Titanium (TI)	White (WH)
4 inch	–	180 ANO 4	180 BLK 4	–	–	–	180 WH 4
6 inch	180 ALM 6	180 ANO 6	180 BLK 6	180 BN 6	180 BR 6	180 TI 6	180 WH 6
8 inch	180 ALM 8	180 ANO 8	180 BLK 8	180 BN 8	180 BR 8	180 TI 8	180 WH 8
10 inch	180 ALM 10	180 ANO 10	180 BLK 10	180 BN 10	180 BR 10	180 TI 10	180 WH 10
12 inch	180 ALM 12	180 ANO 12	180 BLK 12	180 BN 12	180 BR 12	180 TI 12	180 WH 12
14 inch	180 ALM 14	180 ANO 14	180 BLK 14	–	180 BR 14	–	180 WH 14
16 inch	180 ALM 16	180 ANO 16	180 BLK 16	180 BN 16	180 BR 16	180 TI 16	180 WH 16
18 inch	–	180 ANO 18	–	–	–	–	180 WH 18
20 inch	–	180 ANO 20	–	–	–	–	180 WH 20

180 Series Brackets Hefty Pack (HP)							
6 inch	–	180HP ANO 6	180HP BLK 6	–	–	180HP TI 6	180HP WH 6
8 inch	180HP ALM 8	180HP ANO 8	180HP BLK 8	180HP BN 8	180HP BR 8	180HP TI 8	180HP WH 8
10 inch	180HP ALM 10	180HP ANO 10	180HP BLK 10	180HP BN 10	180HP BR 10	180HP TI 10	180HP WH 10
12 inch	180HP ALM 12	180HP ANO 12	180HP BLK 12	180HP BN 12	180HP BR 12	180HP TI 12	180HP WH 12
16 inch	180HP ALM 16	180HP ANO 16	180HP BLK 16	180HP BN 16	180HP BR 16	180HP TI 16	180HP WH 16
18 inch	–	–	–	–	–	–	180HP WH 18

180 Series Brackets Builders Pack (BP)		
6 inch	–	180BP ANO 6
8 inch	–	180BP ANO 8
10 inch	–	180BP ANO 10
12 inch	–	180BP ANO 12
14 inch	–	180BP ANO 14
16 inch	–	180BP ANO 16
18 inch	–	180BP ANO 18

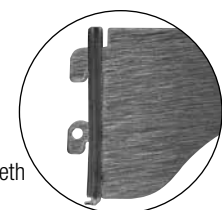


Screws and Anchors

Dimensions: #6 head, #8 body, 1-1/2 inch length
 Finish: Almond (ALM), Anochrome (ANO), Black (BLK), Brass-look (BR), Brown (BN), Titanium (TI), White (WH), Zinc (ZC)

Pack Configurations	
Standard Pack	50 screws per pack, no anchors
Display Pack (DP)	20 poly bags per carton; each poly bag contains 6 screws and 6 screw anchors
Bulk Pack (BP)	1000 bulk screws per poly; 6000 per carton

80 Series Screw Packs					
Part	Finish	Part	Finish	Part	Finish
80-88DP ALM	Almond (ALM)	80-80 ALM	Almond (ALM)	200239-4 ALM	Almond (ALM)
80-88DP ANO	Anochrome (ANO)	80-80 BLK	Black (BLK)	200230-7 BLK	Black (BLK)
80-88DP BLK	Black (BLK)	80-80 BR	Brass-look (BR)	200231-0 BR	Brass-look (BR)
80-88DP BR	Brass-look (BR)	80-80 WH	White (WH)	200241-1	Titanium (TI)
80-88DP BN	Brown (BN)	80-80 ZC	Zinc (ZC)	200235-2 WH	White (WH)
80-88DP TI	Titanium (TI)			200234-9 ZC	Zinc (ZC)
80-88DP WH	White (WH)				



Locking Teeth Side View

80™/180™ Series Regular-Duty Standard and Bracket System

160LL™ Series Lock Lever Bracket


- For use with 1 inch adjustable standards
- Two locking teeth
- Lever lock for extra secure mounting
- Made in the USA

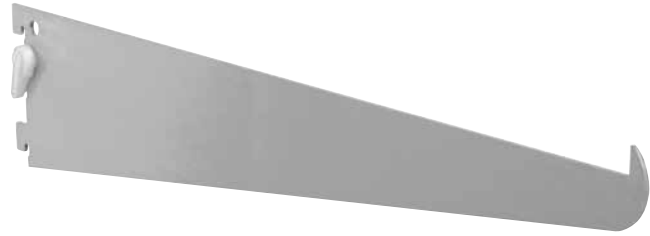
Material: 14 gauge steel

Finish: Anochrome (ANO), Brass-look (BR)

Pack Configurations	
Standard	10 per carton, no UPC labels

160 Series Brackets		
Size	Anochrome (ANO)	Brass-look (BR)
6 inch	160LL ANO 6	–
8 inch	160LL ANO 8	160LL BR 8
10 inch	160LL ANO 10	160LL BR 10
12 inch	160LL ANO 12	160LL BR 12
14 inch	160LL ANO 14	–
16 inch	160LL ANO 16	160LL BR 16
18 inch	160LL ANO 18	–

160LL 



179™ Series Adjustable Slant Brackets

- For use with 1 inch adjustment standards
- Spring clip for stability and friction locking
- 179 brackets adjust to 15°, 30°, 45°, and level

Material: 14 and 16 gauge steel

Finish: Anochrome (ANO)

Pack Configurations	
Standard	10 per carton, no UPC labels

179 Series Brackets	
Size	Anochrome (ANO)
10 inch	179 ANO 10
12 inch	179 ANO 12
14 inch	179 ANO 14

179 



181™ Series Lipless Brackets

- For use with 1 inch adjustment standards
- Spring clip provides stability and a friction lock
- Lipless version of the 180 series bracket

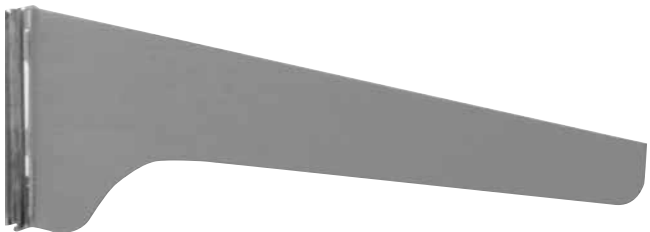
Material: 14 and 16 gauge steel


Finish: Anochrome (ANO)

Pack Configurations	
Standard	10 per carton, no UPC labels

181 Series Brackets	
Size	Anochrome (ANO)
8 inch	181 ANO 8
10 inch	181 ANO 10
12 inch	181 ANO 12
14 inch	181 ANO 14
16 inch	181 ANO 16

181 



 Non-stock item – minimum order quantities and additional lead time may apply.

80™/180™ Series Regular-Duty Standard and Bracket System

79 Series Easy Installation Hang Rail

- Holds up to 2,700 pounds per 80 inch hang rail, and up to 1,700 pounds per 48 inch hang rail
- Holds up to 200 pounds per standard link
- Rail has screw holes every 8 inches for 16 inch and 24 inch stud centers
- Rigid profile design prevents twisting and bowing
- Mounts to most wall types and bare studs
- Anti-dislodge safety features

Dimensions: 2 inches tall x 1/2 inch deep

Material: Hardened steel

Finish: Titanium (TI), White (WH)

Pack Configurations	
Standard	10 per carton

79 Series Easy Installation Hang Rail		
Size	Titanium (TI)	White (WH)
48 inch	79 TI 48	79 WH 48
80 inch	79 TI 80	79 WH 80

79 WH



79 TI



7980 TI



7980 WH



7980 Standard Links

Dimensions: 6-5/8 inches tall x 3/4 inch wide x 4/5 inch deep

Material: Cast aluminum

Finish: Titanium (TI), White (WH)

Pack Configurations	
Standard	12 pairs per carton, with screws

7980 Series Standard Links	
Titanium (TI)	White (WH)
7980 TI	7980 WH

Accessories

- 101 PLAS:** Clear plastic back rest with divider
 - 102 PLAS:** Clear plastic front rest with divider
 - 103 PLAS:** Clear plastic front rest
 - 103-1/2L PLAS:** Clear plastic front rest left
 - 103-1/2R PLAS:** Clear plastic front rest right
 - 104 PLAS:** Clear plastic back rest
 - 104-1/2 ANO:** Anochrome (ANO) steel back rest
 - 104-1/2 PLAS:** Clear plastic back rest
 - 119 RUB:** Gray (GRY) rubber cushion use with metal rests
 - 129 RUB:** Gray (GRY) rubber cushion use with plastic rests
 - 104 ANO:** Anochrome (ANO) steel back rest
 - 136 ANO:** Socket-#80 standard bottom socket
 - 137 ANO:** Socket-#80 standard top socket
 - 153 ANO:** Standard fastener floor mount (bolt and nut not included)
 - 154 ANO:** Shelf-fastener (fastens shelf to bracket)
- Packed: 100 per carton

101 PLAS



102 PLAS



103 PLAS



103-1/2



104 PLAS



104-1/2



119 RUB



129 RUB



104 ANO



136



137



153



154



82™/182™ Series Heavy-Duty Standard and Bracket System

Features

- Holds up to 450 pounds per pair of brackets*
- Heavy-Duty system
- Double slot design
- 1-1/4 inch vertical slot adjustability
- BHMA Grade 2 compliant
- Four locking teeth
- Limited lifetime warranty
- Holds up to 2,700 pounds per 80 inch hang rail and 1,700 pounds per 48 inch hang rail
- Hang rail has screw holes every 8 inches for 16 and 24 inch stud centers
- Hang rail has a rigid profile design that prevents twisting and bowing
- Mounts to most wall types and bare studs
- Anti-dislodge safety features

82 Series Standards

Dimensions: 1.05 inches wide x 0.69 inch deep x selected length
 Material: 14 gauge steel
 Origin: Made in the USA
 Finish: Almond (ALM), Black (BLK), Titanium (TI), White (WH)

Pack Configurations	
Standard	10 standards per carton with UPC labels
Builders Pack (BP)	10 standards per carton, no UPC labels

82 Series Standards Standard Pack				
Size	Almond (ALM)	Black (BLK)	Titanium (TI)	White (WH)
16.5 inch	82 ALM 16.5	82 BLK 16.5	82 TI 16.5	82 WH 16.5
28 inch	82 ALM 28	82 BLK 28	82 TI 28	82 WH 28
39 inch	82 ALM 39	82 BLK 39	82 TI 39	82 WH 39
48 inch	82 ALM 48	82 BLK 48	82 TI 48	82 WH 48
63 inch	82 ALM 63	82 BLK 63	82 TI 63	82 WH 63
78 inch	82 ALM 78	82 BLK 78	82 TI 78	82 WH 78
94 inch	82 ALM 94	82 BLK 94	82 TI 94	82 WH 94
82 Series Standards Builders Pack (BP)				
16.5 inch	82BP ALM 16.5	82BP BLK 16.5	–	82BP WH 16.5
28 inch	82BP ALM 28	82BP BLK 28	–	82BP WH 28
39 inch	82BP ALM 39	82BP BLK 39	–	82BP WH 39
48 inch	82BP ALM 48	82BP BLK 48	–	82BP WH 48
63 inch	82BP ALM 63	82BP BLK 63	–	82BP WH 63
78 inch	82BP ALM 78	82BP BLK 78	–	82BP WH 78
94 inch	82BP ALM 94	82BP BLK 94	–	82BP WH 94

*Standards and brackets meet or exceed ANSI performance standards as established by BHMA testing requirements.

Accessories

182BE Bookend

Finish: White (WH)
 Origin: Made in the USA
 Packed: 10 pairs per carton

82 Series Bookend Standard Pack

Size	White (WH)
7 inch	182BE WH 7
9 inch	182BE WH 9
10.5 inch	182BE WH 10.5

82DP SCREW ZC

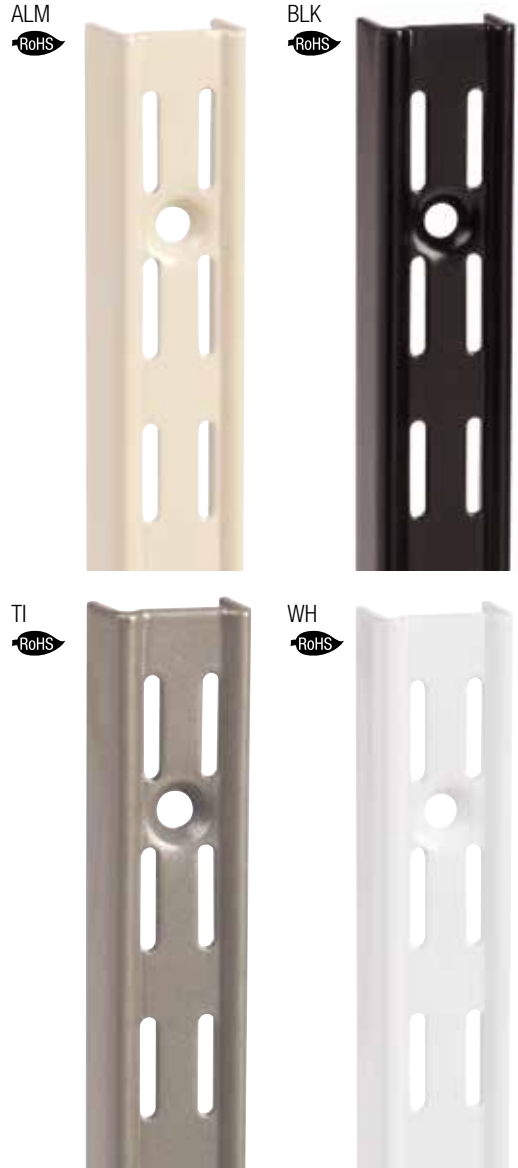
Finish: Zinc (ZC)
 Packed: 20 bags per carton (6 screws + 6 anchors per bag)

182DP LCTR/JNR Shelf Locator Joiner

Finish: Clear plastic (CL)
 Packed: 20 bags per carton (4 joiners + 8 screws per bag)

182DP LOCK Bracket Lock

Finish: Black rubber (BLK)
 Packed: 20 bags per carton (6 locks per bag)



82DP SCREW ZC



182DP LCTR/JNR



182DP LOCK



82™/182™ Series Heavy-Duty Standard and Bracket System

182 Series Brackets

Material: 16 gauge steel
 Origin: Made in the USA
 Finish: Almond (ALM), Black (BLK), Titanium (TI), White (WH)

Pack Configurations	
Standard	10 brackets per carton with UPC labels
Builders Pack (BP)	10 brackets per carton, no UPC labels

182 Series Brackets Standard Pack				
Size	Almond (ALM)	Black (BLK)	Titanium (TI)	White (WH)
5 inch	–	182 BLK 5	–	182 WH 5
7 inch	182 ALM 7	182 BLK 7	–	182 WH 7
9 inch	182 ALM 9	182 BLK 9	182 TI 9	182 WH 9
10.5 inch	182 ALM 10.5	182 BLK 10.5	182 TI 10.5	182 WH 10.5
12.5 inch	182 ALM 12.5	182 BLK 12.5	182 TI 12.5	182 WH 12.5
14.5 inch	182 ALM 14.5	182 BLK 14.5	182 TI 14.5	182 WH 14.5
18.5 inch	182 ALM 18.5	182 BLK 18.5	182 TI 18.5	182 WH 18.5
24 inch	182 ALM 24	182 BLK 24	182 TI 24	182 WH 24
182 Series Brackets Builders Pack (BP)				
5 inch	–	182BP BLK 5	–	182BP WH 5
7 inch	182BP ALM 7	182BP BLK 7	–	182BP WH 7
9 inch	182BP ALM 9	182BP BLK 9	182BP TI 9	182BP WH 9
10.5 inch	182BP ALM 10.5	182BP BLK 10.5	182BP TI 10.5	182BP WH 10.5
12.5 inch	182BP ALM 12.5	182BP BLK 12.5	182BP TI 12.5	182BP WH 12.5
14.5 inch	182BP ALM 14.5	182BP BLK 14.5	182BP TI 14.5	182BP WH 14.5
18.5 inch	182BP ALM 18.5	182BP BLK 18.5	182BP TI 18.5	182BP WH 18.5
24 inch	182BP ALM 24	182BP BLK 24	182BP TI 24	182BP WH 24

ALM



BLK



TI



WH

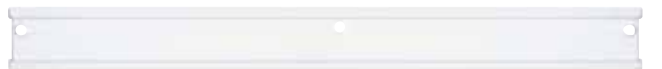


79 Easy Installation Hang Rail

Dimensions: 2 inches tall x 1/2 inch deep x selected length
 Material: Hardened steel
 Finish: Titanium (TI), White (WH)

Pack Configuration		
Standard	10 per carton	
Size	Titanium (TI)	White (WH)
48 inch	79 TI 48	79 WH 48
80 inch	79 TI 48	79 WH 50

79 WH



79 TI



7982 Standard Links

Dimensions: 4-7/8 inches tall x 1-1/4 inches wide x 3/4 inch deep
 Material: Cast aluminum
 Finish: Titanium (TI), White (WH)

Pack Configuration	
Standard	12 pairs per carton
Titanium (TI)	White (WH)
7982 TI	7982 WH

7982 TI

7982 WH



83™/183™ Series Heavy-Duty Standard and Bracket System

Features

- Holds up to 460 pounds per pair of brackets*
- Heavy-Duty system
- Single slot design
- 1 inch vertical slot adjustability
- Bracket flanges allow simple attachment to wooden shelves
- Brackets may also be used with 85 series standards for added support on long shelves
- BHMA Grade 2 compliant
- Limited lifetime warranty
- Made in the USA

83 ANO



83 Series Oversized Standards

Dimensions: 3/4 inch wide x 1/2 inch deep x selected length

Material: 16 gauge steel

Finish: Anochrome (ANO)

Pack Configurations	
Standard	10 brackets per carton, no UPC labels

83 Series Standards Standard Pack	
Size	Anochrome (ANO)
24 inch	83 ANO 24
36 inch	83 ANO 36
48 inch	83 ANO 48
60 inch	83 ANO 60
72 inch	83 ANO 72
84 inch	83 ANO 84
96 inch	83 ANO 96

*Standards and brackets meet or exceed ANSI performance standards as established by BHMA testing requirements.

Accessories

113L ANO: Left-hand Anochrome (ANO) Panel Clip
113R ANO: Right-hand Anochrome (ANO) Panel Clip
 Finish: Anochrome (ANO)
 Packed: 50 per carton; Left and right clips packed separately
 Application: Used to attach display and wall panels into vertical position

119 RUB: Grey (GRY) rubber cushion for use with 183 series brackets
 Packed: 100 per carton

134 ANO: Socket-#83 Standard Bottom Socket

135 ANO: Socket-#83 Standard Top Socket

Packed: 100 per carton

159LL: Lock Lever Heavy-Duty Support Bracket

Finish: Anochrome (ANO)

Packed: 100 per carton

Benefit: Provides extra support for shelves with heavy loads

191 ANO: Hang Rod Saddle

192 ANO: Hang Rod Saddle

Finish: Anochrome (ANO)

Packed: 10 per carton

Features: 191 bolts to 183 or 185 brackets to hold 1-1/16 inch O.D. tubing
 192 bolts to 183 or 185 brackets to hold 1-5/16 inch O.D. tubing

113



119 RUB



134



135



159



191, 192



83™/183™ Series Heavy-Duty Standard and Bracket System

183 Series Brackets


Part #: 183R: Right Flange Bracket
 183L: Left Flange Bracket
 183C: Center Flange Bracket
 Material: 16 gauge steel
 Finish: Anochrome (ANO)

Pack Configurations	
Standard	10 brackets per carton, no UPC labels


183 Series Brackets Standard Pack - Anochrome (ANO) Finish			
Size	Right	Left	Center
8 inch	183R ANO 8	183L ANO 8	183C ANO 8
10 inch	183R ANO 10	183L ANO 10	183C ANO 10
12 inch	183R ANO 12	183L ANO 12	183C ANO 12
14 inch	183R ANO 14	183L ANO 14	183C ANO 14
16 inch	183R ANO 16	183L ANO 16	183C ANO 16
18 inch	183R ANO 18	183L ANO 18	183C ANO 18
20 inch	183R ANO 20	183L ANO 20	183C ANO 20

183R 



183L 



183C 



161LL Lock Lever Bracket

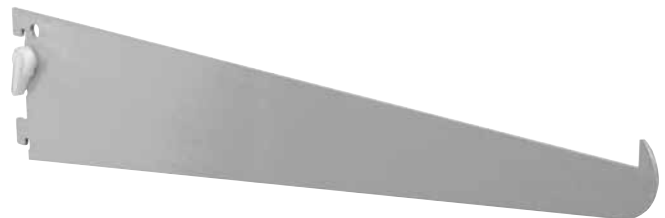
- 3 locking teeth
- Lever lock for extra secure mounting

Material: 14 gauge steel
 Origin: Made in the USA
 Finish: Anochrome (ANO)

Pack Configurations	
Standard	10 per carton, no UPC labels

161LL Brackets	
Size	Anochrome
14 inch	161LL ANO 14
16 inch	161LL ANO 16
18 inch	161LL ANO 18
20 inch	161LL ANO 20
22 inch	161LL ANO 22
24 inch	161LL ANO 24

161LL



Non-stock item – minimum order quantities and additional lead time may apply.

85™/185™ Series Extra-Duty Standard and Bracket System

Features

- Holds up to 680-pounds per pair of brackets*
- Extra-duty system
- Single slot design
- 1 inch vertical slot adjustability
- Shelf retaining lip on brackets
- BHMA Grade 2 compliant
- Made in the USA

85 Series Standards

Dimensions: 1-1/4 inch wide x 1/2 inch deep x selected length

Material: 16 gauge steel

Finish: Anochrome (ANO), White (WH)

Pack Configurations	
Standard	10 brackets per carton, no UPC labels
Retail Pack (B)	10 brackets per carton with UPC labels

85 Series Standards Standard Pack			85 Series Standards Retail Pack	
Size	Anochrome (ANO)	White (WH)	Size	Anochrome (ANO)
24 inch	85 ANO 24	85 WH 24	24 inch	–
36 inch	85 ANO 36	85 WH 36	36 inch	–
48 inch	85 ANO 48	85 WH 48	48 inch	85B ANO 48
60 inch	85 ANO 60	85 WH 60	60 inch	–
72 inch	85 ANO 72	85 WH 72	72 inch	85B ANO 72
84 inch	85 ANO 84	85 WH 72	84 inch	–
96 inch	85 ANO 96	85 WH 96	96 inch	85B ANO 96

*Standards and brackets meet or exceed ANSI performance standards as established by BHMA testing requirements.

Accessories

106 ANO: Shelf Rest
 Finish: Anochrome (ANO)
 Packed: 100 per carton
 Application: Used to join two shelves at one bracket

107 ANO: Hang Rod Clamp
 Finish: Anochrome (ANO)
 Packed: 20 per carton
 Application: Bolts to 183 and 185 brackets to hold rods securely

113L ANO: Left-hand Anochrome (ANO) Panel Clip
113R ANO: Right-hand Anochrome (ANO) Panel Clip

Finish: Anochrome (ANO)
 Packed: 50 per carton; Left and right clips packed separately
 Application: Used to attach display and wall panels into vertical position

119 RUB: Grey (GRY) rubber cushion for use with metal rests
 Packed: 100 per carton

159LL: Lock Lever Heavy-Duty Support Bracket
 Finish: Anochrome (ANO)
 Packed: 100 per carton
 Benefit: Provides extra support for shelves with heavy loads



106



107



113



129 RUB



153



154



159



191, 192



191 ANO: Hang Rod Saddle
192 ANO: Hang Rod Saddle
 Finish: Anochrome (ANO)
 Packed: 10 per carton
 Features: 191 bolts to 183 or 185 brackets to hold 1-1/16 inch O.D. tubing
 192 bolts to 183 or 185 brackets to hold 5/16 inch O.D. tubing

85™/185™ Series Extra-Duty Standard and Bracket System

185 Brackets

Material: 14 and 16 gauge steel

Finish: Anochrome (ANO), White (WH)

Configurations	
Standard	10 brackets per carton, no UPC labels
Retail Pack (B)	10 brackets per carton with UPC labels

185 Series Brackets Standard Pack		
Size	Anochrome (ANO)	White (WH)
8 inch	185 ANO 8	185 WH 8
10 inch	185 ANO 10	185 WH 10
12 inch	185 ANO 12	185 WH 12
14 inch	185 ANO 14	185 WH 14
16 inch	185 ANO 16	185 WH 16
18 inch	185 ANO 18	185 WH 18
20 inch	185 ANO 20	185 WH 20
22 inch	185 ANO 22	185 WH 22
24 inch	185 ANO 24	185 WH 24
185 Series Brackets Retail Pack (B)		
10 inch	185B ANO 10	
12 inch	185B ANO 12	
14 inch	185B ANO 14	
16 inch	185B ANO 16	
18 inch	185B ANO 18	
20 inch	185B ANO 20	
22 inch	185B ANO 22	
24 inch	185B ANO 24	

Note: 180 Anochrome (ANO) brackets and all other KV 1 inch adjustable brackets can be used with 85 series double-slotted standards.



87™/187™ Series Super-Duty Standard and Bracket System

Features

- Holds up to 1,060 pounds per pair of brackets*
- Super-duty system
- Single slot design
- 2 inch vertical slot adjustability
- Limited lifetime warranty
- BHMA Grade 2 compliant
- 186LL and 187LL brackets feature an easy-to-install unique cam lock that secures brackets to the standard
- Made in the USA

87 Series Standards

Dimensions: 7/8 inch wide x 11/16 inch deep x selected height
 Material: 12 gauge steel
 Finish: Anochrome (ANO), White (WH)

Pack Configurations	
Standard	5 per carton, no UPC labels

87 Series Standards Standard Pack		
Size	Anochrome (ANO)	White (WH)
24 inch	87 ANO 24	87 WH 24
36 inch	87 ANO 36	87 WH 36
48 inch	87 ANO 48	87 WH 48
60 inch	87 ANO 60	87 WH 60
72 inch	87 ANO 72	87 WH 72
84 inch	87 ANO 84	87 WH 72
96 inch	87 ANO 96	87 WH 96

*Standards and brackets meet or exceed ANSI performance standards as established by BHMA testing requirements.



1987 Series Galvanized Steel Shelving

Material: Galvanized steel
 Finish: Galvanized Steel (GALV)

Pack Configurations	
Standard	10 per carton

1987 Series Shelving Standard Pack	
Size	Galvanized (GALV)
8 x 32 inch	1987 GALV 8X32
10 x 32 inch	1987 GALV 10X32
12 x 32 inch	1987 GALV 12X32
16 x 32 inch	1987 GALV 16X32
20 x 32 inch	1987 GALV 20X32

GALV



87™/187™ Series Super-Duty Standard and Bracket System

186LL and 187LL Series Lock Lever Brackets

Material: 12 gauge steel
 Finish: Anochrome (ANO), White (WH)

Pack Configurations	
Standard	10 per carton, no UPC labels

186 Series Brackets Standard Pack		
Size	Anochrome (ANO)	White (WH)
8 inch	186LL ANO 8	186LL WH 8
10 inch	187LL ANO 10	186LL WH 10
187 Series Brackets Standard Pack		
12 inch	187LL ANO 12	187LL WH 12
14 inch	187LL ANO 14	187LL WH 14
16 inch	187LL ANO 16	187LL WH 16
18 inch	187LL ANO 18	187LL WH 18
20 inch	187LL ANO 20	187LL WH 20
22 inch	187LL ANO 22	187LL WH 22
24 inch	187LL ANO 24	187LL WH 24

Accessories

87-10 WH

Sizes: #10 x 2-3/4 inch screw
 Finish: White (WH)
 Packed: 100 per bag

119 RUB: Gray (GRY) rubber cushion for use with metal rests
 Packed: 100 per carton

129 RUB: Gray (GRY) rubber cushion for use with plastic rests
 Packed: 100 per carton

210 ANO: Anochrome (ANO) End Rest
210 WH: White (WH) End Rest
211 ANO: Anochrome (ANO) Center Rest
211 WH: White (WH) Center Rest
212 ANO: Anochrome (ANO) Front Rest
212 WH: White (WH) Front Rest
213C ZC: Zinc (ZC) Snap-In Center Rest
 Finish: Anochrome (ANO), White (WH), Rubber
 Packed: 100 per carton

Recommended for use with 186 and 187 series brackets for anchoring shelf to brackets

87-10



119 RUB



129 RUB



210



211



212



213



186LL ANO



186LL WH



187LL ANO



187LL WH



87™/186™/187™ Super-Duty Stainless Steel Standard and Bracket System

Features

- Holds up to 560 pounds per pair of brackets*
- Super-duty system
- Single slot design
- 2 inch vertical slot adjustability
- Limited lifetime warranty
- BHMA Grade 2 compliant
- Lever lock for easy installation, stability, and safety
- Shelves are shipped with protective vinyl wrap
- Made in the USA

87 Series Standards

Dimensions: 7/8 inch wide x 11/16 inch deep
 Material: 14 gauge, 304 grade stainless steel
 Finish: Stainless Steel (SS)

Pack Configurations	
Standard	5 per carton, no UPC labels

87 Series Standards Standard Pack	
Size	Stainless Steel (SS)
24 inch	87 SS 24
36 inch	87 SS 36
48 inch	87 SS 48
60 inch	87 SS 60
72 inch	87 SS 72

*Brackets meet or exceed ANSI performance standards as established by BHMA testing requirements.

87SS



1987 Series Stainless Steel Shelving

Material: 14 gauge, 304 grade stainless steel
 Finish: Stainless Steel (SS) 304 SS with brushed finish

Configurations	
Standard	10 per carton

1987 Series Stainless Steel Shelving Standard Pack	
Size	Stainless Steel (SS)
8 x 32 inch	1987 SS 8X32
10 x 32 inch	1987 SS 10X32
12 x 32 inch	1987 SS 12X32
16 x 32 inch	1987 SS 16X32
20 x 32 inch	1987 SS 20X32

1987 SS



87™/186™/187™ Super-Duty Stainless Steel Standard and Bracket System

186LL and 187LL Series Stainless Steel Lock Lever Brackets

Material: 14 gauge 304 grade stainless steel

Finish: Stainless Steel (SS)

Pack Configurations	
Standard	10 per carton, no UPC labels

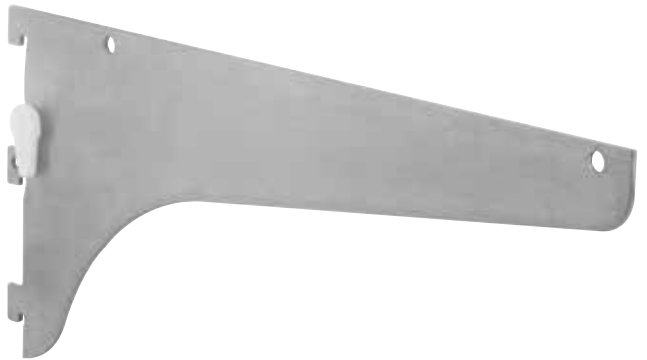
186 Series Brackets Standard Pack	
Size	Stainless Steel (SS)
8 inch	186LL SS 8
10 inch	186LL SS 10
187 Series Brackets Standard Pack	
12 inch	187LL SS 12
14 inch	187LL SS 14
16 inch	187LL SS 16
18 inch	187LL SS 18
20 inch	187LL SS 20
24 inch	187LL SS 24

- Stainless Steel brackets do not work with 87 steel standards.

186LL SS



187LL SS



Supports for Built-In Shelving

335 Series Plastic Shelf Support Pins

Pin Diameter: Designed for 1/4 inch holes
 Pin Length: 7/16 inch (11mm)
 Shelf Rest: 1/2 inch (13mm) wide x 17/32 inch (14mm) long
 Finish: Clear Plastic (CL), Plastic (PLAS), White (WH)

338 Series Plastic Shelf Support Pins

Pin Diameter: Designed for 5 mm holes
 Pin Length: 5/16 inch (8mm)
 Shelf Rest: 7/16 inch (11mm) wide x 13/32 inch (10mm) long
 Finish: Almond (ALM), Brown (BRN), Clear Plastic (CL), White (WH)

Pack Configurations	
Standard	10 pieces per carton
Poly (P)	12 supports per bag; 10 bags per carton
Warehouse Pack (WP)	12 supports per bag; 50 bags per carton

335 Series Shelf Support			
Pack Configuration	Clear Plastic (CL)	Plastic (PLAS)	White (WH)
Standard Pack	335 CL	335 PLAS	335 WH
Poly (P) Pack	335P CL	335P PLAS	335P WH
Warehouse Pack (WP)	335WP CL	–	335WP WH

338 Series Shelf Support				
Pack Configuration	Almond (ALM)	Brown (BRN)	Clear Plastic (CL)	White (WH)
Standard Pack	338 ALM	338 BRN	338 CL	338 WH
Poly (P) Pack	–	–	338P CL	338P WH
Warehouse Pack (WP)	–	–	338WP CL	338WP WH

335



338



345 Series Metal Shelf Pins

Pin Diameter: Designed for 5mm holes
 Pin Length: 5/16 inch (8mm)
 Shelf Rest: 1/2 inch (13mm) wide x 11/16 inch (17mm) long
 Finish: Nickel Plated (NP), Brass-Look (BR), Walnut (WAL)

346 Series Metal Shelf Pins

Pin Diameter: Designed for 1/4 inch holes
 Pin Length: 3/8 inch (9mm)
 Shelf Rest: 1/2 inch (13mm) wide x 11/16 inch (17mm) long
 Finish: Anochrome (ANO), Brass-Look (BR), Walnut (WAL)

Pack Configurations	
Standard	100 pieces per carton
Poly (P)	12 supports per bag; 10 bags per carton
Barrel (BBL)	9000 supports per barrel

345 Series Shelf Support			
Pack Configuration	Nickel Plated (NP)	Brass-Look (BR)	Walnut (WAL)
Standard Pack	345 NP	345 BR	345 WAL
Poly (P) Pack	345P NP	345P BR	345P WAL

346 Series Shelf Support			
Pack Configuration	Anochrome (ANO)	Brass-Look (BR)	Walnut (WAL)
Standard Pack	346 ANO	346 BR	346 WAL
Poly (P) Pack	346P ANO	346P BR	346P WAL
Warehouse Pack (WP)	346WP ANO	346WP BR	346WP WAL

345



346



Supports for Built-In Shelving

325 ANO and 325 BR Grommets

Dimensions: Grommet diameter for 9/32 inch (7.143mm) hole and Pin diameter is 1/4 inch
 Finish: Anochrome (ANO), Brass-look (BR)
 Packed: 1000 per bag, 4 bags per carton

326 ANO and 326 BR Grommets

Dimensions: Grommet diameter for 7/32 inch (5.556mm) hole and Pin diameter is 5 mm
 Finish: Anochrome (ANO), Brass-look (BR)
 Packed: 1000 per bag, 4 bags per carton

330 ANO and 330 STB Shelf Supports

Dimensions: Pin diameter for 13/64 inch (5mm) hole
 Finish: Anochrome (ANO), Statuary Bronze (STB)
 Packed: 2000 per bag, 4 bags per carton

331 ANO and 331 BR Shelf Supports

Dimensions: Pin diameter for 1/4 inch hole; pin length 3/8 inch (9mm)
 Shelf Rests: 3/8 inch (9mm) wide x 1/2 inch (13mm) long
 Finish: Anochrome (ANO), Brass-look (BR)
 Standard Pack: 1000 per bag, 4 bags per carton
 Warehouse Pack: 12 supports per bag, 50 bags per carton

331 Series Shelf Support		
Pack Configuration	Anochrome (ANO)	Brass-look (BR)
Standard Pack	331 ANO	331 BR
Warehouse Pack (WP)	331WP ANO	331WP BR

333 ZC and 333 BR Shelf Supports

Dimensions: Pin diameter 7/32 inch; Use 15/64 inch diameter drill; Pin length is 1/2 inch (13mm)
 Shelf Rest: 9/16 inch (14mm) wide x 7/16 inch (11mm) long
 Finish: Zinc (ZC), Brass-look (BR)
 Packed: 1000 per carton

332 ANO and 332 BR Shelf Supports

Dimensions: Pin diameter for 5mm hole; Pin length is 5/16 inch (8mm)
 Shelf Rest: 5/16 inch (8mm) wide x 7/16 inch (11mm) long
 Finish: Anochrome (ANO), Brass-look (BR)
 Standard Pack: 1000 per bag, 4 bags per carton
 Warehouse Pack: 12 supports per bag, 50 bags per carton

332 Series Shelf Support		
Pack Configuration	Anochrome (ANO)	Brass-look (BR)
Standard Pack	332 ANO	332 BR
Warehouse Pack (WP)	332WP ANO	332WP BR

339 ALM and 339 WH Plastic Locking Shelf Support for 3/4 inch Shelves

Dimensions: Pin diameter for 13/64 inch (5mm) hole; Pin length is 1/4 inch
 Finish: Almond (ALM), White (WH)
 Packed: 100 per bag, 25 bags per carton

340 WH Plastic Locking Shelf Supports for 1 inch shelves

Dimensions: Pin diameter for 13/64 inch (5mm) hole; Pin length is 1/4 inch
 Finish: White (WH)
 Packed: 100 per bag, 5 bags per carton

348 ALM, 347 BRN and 348 WH Vinyl Coated Shelf Supports

Dimensions: Pin diameter for 5mm hole; Use 13/64 inch diameter drill bit; Pin length is 5/16 inch (8mm)
 Shelf Rest: 1/2 inch (13mm) wide x 11/16 inch (17mm) long
 Finish: Almond (ALM), Brown (BRN), White (WH)
 Packed: 1000 pieces per carton



Utility Shelving Brackets

204 Series L-Bracket

- Heavy-duty bracket
- BHMS Grade 2
- Mounts directly to the wall

Material: 12 gauge steel
 Origin: Made in the USA
 Finish: Anochrome (ANO)

Pack Configurations	
Standard	24 per carton

204 Series Brackets	
Size	Anochrome (ANO)
4 inch	204 ANO 4
6 inch	204 ANO 6
8 inch	204 ANO 8
10 inch	204 ANO 10
12 inch	204 ANO 12

204



206 Series Extra-Duty Folding L-Bracket

- Holds up to 750-pounds per pair*
- Extra-duty bracket
- BHMA Grade 2 compliant
- 4 adjustable positions: 90°, 80°, 70°, and 0° (closed position)**
- Durable steel construction with spring-loaded release lever

Finish: Zinc (ZC), White (WH)

Pack Configurations	
Standard	10 per display carton with UPC labels attached

206 Series Folding L-Brackets		
Size	Zinc (ZC)	White (WH)
12 inch	206 ZC 12	206 WH 12
16 inch	206 ZC 16	206 WH 16

206 ZC



206 WH



*Brackets meet or exceed ANSI performance standards as established by BHMA testing requirements.

**Angle has a tolerance of +1°. May need to shim for level installations.

Utility Shelving Brackets

208 Series Ultimate L-Bracket

- Holds up to 1,200-pounds per pair*
- Super-duty bracket
- BHMA Grade 2 compliant
- Mounts directly to the wall
- Corrosion resistant epoxy coated finish
- 5mm steel bar and 3/4 inch steel strut

Finish: Black (BLK), Titanium (TI), White (WH)

Pack Configurations	
Standard	10 per display carton with UPC labels

208 Series Bracket			
Size	Black (BLK)	Titanium (TI)	White (WH)
300mm	208 BLK 300	208 TI 300	208 WH 300
400mm	208 BLK 400	208 TI 400	208 WH 400
500mm	208 BLK 500	208 TI 500	208 WH 500
550mm	208 BLK 550	208 TI 550	208 WH 550

*Brackets meet or exceed ANSI performance standards as established by BHMA testing requirements.

208 BLK



208 TI



208 WH



221 Series Utility Bracket

- Regular-Duty
- Durable powder coat finish
- Holds up to 120-pounds per pair*

Finish: Gray (GRY), White (WH)

Pack Configurations	
Standard	20 per carton with UPC labels

221 Series Bracket		
Size	Gray (GRY)	White (WH)
5 x 6 inch	221 GRY 5X6	221 WH 5X6
6 x 8 inch	221 GRY 6X8	221 WH 6X8
8 x 10 inch	221 GRY 8X10	221 WH 8X10
10 x 12 inch	221 GRY 10X12	221WH 10X12
12 x 14 inch	221 GRY 12X14	221 WH 12X14

*Brackets meet or exceed ANSI performance standards as established by BHMA testing requirements.

221 WH



221 GRY

Decorative Shelf Brackets

88 and 888 Series Wood Shelf Anchor

- Regular-duty bracket
- 88 anchors for use with 5/8 inch thick shelves (KV1980)
- 888 anchors for use with 3/4 inch thick shelves (KV1990)
- An almost invisible shelf support
- All hardware included

Finish: Almond (ALM), Black (BLK), White (WH)

Pack Configurations	
Standard	5 per carton

88 Series Anchor Standard Pack			
Size	Almond (ALM)	Black (BLK)	White (WH)
24 inch	88 ALM 24	88 BLK 24	88 WH 24
36 inch	88 ALM 36	88 BLK 36	88 WH 36
48 inch	88 ALM 48	88 BLK 48	88 WH 48
888 Series Anchor Standard Pack			
24 inch	—	888 BLK 24	888 WH 24
36 inch	—	888 BLK 36	888 WH 36



215 Series Slim-Line™ Shelf Bracket

- BHMA Grade 2 compliant
- Accented with decorative plastic trim that hides mounting hardware

Finish: Black (BLK), White (WH)

Pack Configurations	
Special Pack	10 per carton (all sizes)
Standard	8 inch - 30 per carton; 10 inch - 24 per carton; 12 inch - 18 per carton

215 Series Bracket Standard Pack		
Size	Black (BLK)	White (WH)
8 inch	215 BLK 8	215 WH 8
10 inch	215 BLK 10	215 WH 10
12 inch	215 BLK 12	215 WH 12
215 Series Bracket Special (SP) Pack		
8 inch	215SP BLK 8	215SP WH 8
10 inch	215SP BLK 10	215SP WH 10
12 inch	215SP BLK 12	215SP WH 12



216 Series Simplicity™ Series Shelf Bracket

- BHMA Grade 2 compliant
- Heavy-duty steel
- Accented with decorative plastic trim that hides mounting hardware

Finish: White (WH)

Pack Configurations	
Poly	10 pair per carton (all sizes) with header card

216 Series Bracket Poly Pack	
Size	White (WH)
8 inch	216P WH 8
10 inch	216P WH 10

217 Series Silhouette™ Shelf Bracket

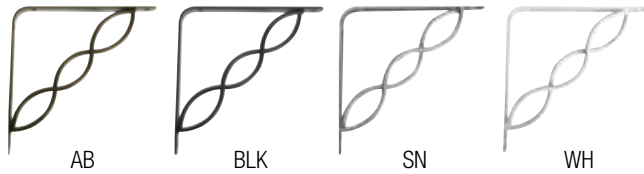
- BHMA Grade 2 compliant
- Heavy-duty steel

Finish: Black (BLK), White (WH)

Pack Configurations	
Special Pack	10 per carton (all sizes)
Standard	8 inch - 30 per carton; 10 inch - 24 per carton; 12 inch - 18 per carton

217 Series Bracket Standard Pack		
Size	Black (BLK)	White (WH)
8 inch	217 BLK 8	217 WH 8
10 inch	217 BLK 10	217 WH 10
12 inch	217 BLK 12	217 WH 12
217 Series Bracket Special Pack (SP)		
8 inch	217SP BLK 8	217SP WH 8
10 inch	217SP BLK 10	217SP WH 10
12 inch	217SP BLK 12	217SP WH 12

200 Series Designer Decorative Shelf Brackets



Concord 200C Series Decorative Brackets

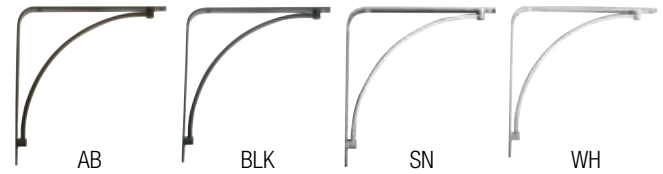
- Holds up to 50-pounds per pair*
- BHMA Grade 1 compliant
- Distinct traditional styles fit any decor
- Screw holes for easy mounting
- 6 inch size for 6–8 inch deep shelves; 8 inch size for 8–12 inch shelves

Finish: Antique Bronze (AB), Black (BLK), Satin Nickel (SN), White (WH)

Pack Configurations	
Standard	10 carded pieces per carton

200C Series Concord Decorative Shelf Bracket				
Size	Antique Bronze (AB)	Black (BLK)	Satin Nickel (SN)	White (WH)
6 inch	200C AB 6	200C BLK 6	200C SN 6	200C WH 6
8 inch	200C AB 8	200C BLK 8	200C SN 8	200C WH 8

*Brackets meet or exceed ANSI performance standards as established by BHMA testing requirements.



Manchester 200M Series Decorative Brackets

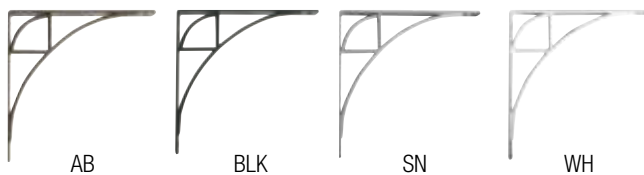
- Holds up to 50-pounds per pair*
- BHMA Grade 1 compliant
- Distinct traditional styles fit any decor
- Screw holes for easy mounting
- 6 inch size for 6–8 inch deep shelves; 8 inch size for 8–12 inch shelves

Finish: Antique Bronze (AB), Black (BLK), Satin Nickel (SN), White (WH)

Pack Configurations	
Standard	10 carded pieces per carton

200M Series Manchester Decorative Shelf Bracket				
Size	Antique Bronze (AB)	Black (BLK)	Satin Nickel (SN)	White (WH)
6 inch	200M AB 6	200M BLK 6	200M SN 6	200M WH 6
8 inch	200M AB 8	200M BLK 8	200M SN 8	200M WH 8

*Brackets meet or exceed ANSI performance standards as established by BHMA testing requirements.



Oak Park 2000P Series Decorative Brackets

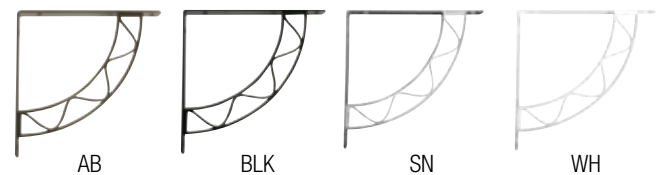
- Holds up to 100-pounds per pair*
- BHMA Grade 1 compliant
- Distinct contemporary styles fit any decor
- Screw holes for easy mounting
- 6 inch size for 6–8 inch deep shelves; 8 inch size for 8–12 inch shelves
- Cast zinc insets

Finish: Antique Bronze (AB), Black (BLK), Satin Nickel (SN), White (WH)

Pack Configurations	
Standard	10 carded pieces per carton

2000P Series Oak Park Decorative Shelf Bracket				
Size	Antique Bronze (AB)	Black (BLK)	Satin Nickel (SN)	White (WH)
6 inch	2000P AB 6	2000P BLK 6	2000P SN 6	2000P WH 6
8 inch	2000P AB 8	2000P BLK 8	2000P SN 8	2000P WH 8

*Brackets meet or exceed ANSI performance standards as established by BHMA testing requirements.



Stockton 200S Series Decorative Brackets

- Holds up to 100-pounds per pair*
- BHMA Grade 1 compliant
- Distinct contemporary styles fit any decor
- Screw holes for easy mounting
- 6 inch size for 6–8 inch deep shelves; 8 inch size for 8–12 inch shelves
- Cast zinc insets

Finish: Antique Bronze (AB), Black (BLK), Satin Nickel (SN), White (WH)

Pack Configurations	
Standard	10 carded pieces per carton

200S Series Stockton Decorative Shelf Bracket				
Size	Antique Bronze (AB)	Black (BLK)	Satin Nickel (SN)	White (WH)
6 inch	200S AB 6	200S BLK 6	200S SN 6	200S WH 6
8 inch	200S AB 8	200S BLK 8	200S SN 8	200S WH 8

*Brackets meet or exceed ANSI performance standards as established by BHMA testing requirements.



200 Series Designer Decorative Shelf Brackets



Baton Rouge 200BR Series Decorative Brackets

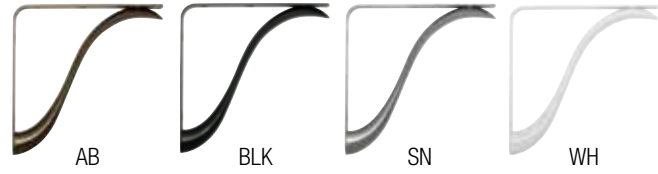
- Holds up to 200-pounds per pair*
- BHMA Grade 2 compliant
- Distinct elegant styles fit any decor
- Screw holes for easy mounting
- 8 inch size for 8–12 inch shelves
- Cast zinc insets

Finish: Antique Bronze (AB), Black (BLK), Satin Nickel (SN), White (WH)

Pack Configurations	
Standard	10 carded pieces per carton

200BR Series Baton Rouge Decorative Shelf Bracket				
Size	Antique Bronze (AB)	Black (BLK)	Satin Nickel (SN)	White (WH)
8 inch	200BR AB 8	200BR BLK 8	200BR SN 8	200BR WH 8

*Brackets meet or exceed ANSI performance standards as established by BHMA testing requirements.



Charleston 200CH Series Decorative Brackets

- Holds up to 200-pounds per pair*
- BHMA Grade 2 compliant
- Distinct elegant styles fit any decor
- Screw holes for easy mounting
- 8 inch size for 8–12 inch shelves
- Cast zinc insets

Finish: Antique Bronze (AB), Black (BLK), Satin Nickel (SN), White (WH)

Pack Configurations	
Standard	10 carded pieces per carton

200CH Series Charleston Decorative Shelf Bracket				
Size	Antique Bronze (AB)	Black (BLK)	Satin Nickel (SN)	White (WH)
8 inch	200CH AB 8	200CH BLK 8	200CH SN 8	200CH WH 8

*Brackets meet or exceed ANSI performance standards as established by BHMA testing requirements.



All Purpose Shelf Board

1980 Series All Purpose Shelf Board

- Holds up to 200 pounds when properly installed
- 5/8 inch thick with square corners
- Scratch and stain resistant for long life
- Easy to clean surface

Finish: Black (BLK), Cherry (CHY), Espresso (ESP), Maple (MPL),
Oak (OK), Walnut (WAL), White (WH)

Pack Configurations	
Standard	5 per carton, with the some exceptions: 10x60, 12x60, 16x48, 10x72, 12x72, 16x60 are packed 3 per carton.

1980 Series Shelving Standard Pack							
Size	Black (BLK)	Cherry (CHY)	Espresso (ESP)	Maple (MPL)	Oak (OK)	Walnut (WAL)	White (WH)
6 x 24 inch	–	–	–	–	–	–	1980 WH 6X24
6 x 36 inch	–	–	–	–	–	–	1980 WH 6X36
6 x 48 inch	–	–	–	–	–	–	1980 WH 6X48
8 x 24 inch	1980 BLK 8X24	1980 CHY 8X24	1980 ESP 8X24	1980 MPL 8X24	1980 OK 8X24	1980 WAL 8X24	1980 WH 8X24
8 x 36 inch	1980 BLK 8X36	1980 CHY 8X36	1980 ESP 8X36	1980 MPL 8X36	1980 OK 8X36	1980 WAL 8X36	1980 WH 8X36
8 x 48 inch	–	1980 CHY 8X48	1980 ESP 8X48	1980 MPL 8X48	1980 OK 8X48	1980 WAL 8X48	1980 WH 8X48
8 x 60 inch	–	–	–	–	–	–	1980 WH 8X60
10 x 24 inch	–	1980 CHY 10X24	1980 ESP 10X24	1980 MPL 10X24	1980 OK 10X24	1980 WAL 10X24	1980 WH 10X24
10 x 36 inch	1980 BLK 10X36	1980 CHY 10X36	1980 ESP 10X36	1980 MPL 10X36	1980 OK 10X36	1980 WAL 10X36	1980 WH 10X36
10 x 48 inch	1980 BLK 10X48	1980 CHY 10X48	1980 ESP 10X48	1980 MPL 10X48	1980 OK 10X48	1980 WAL 10X48	1980 WH 10X48
10 x 60 inch	–	–	–	–	1980 OK 10X60	–	1980 WH 10X60
10 x 72 inch	–	–	–	–	1980 OK 10X72	–	1980 WH 10X72
12 x 24 inch	–	1980 CHY 12X24	1980 ESP 12X24	1980 MPL 12X24	1980 OK 12X24	1980 WAL 12X24	1980 WH 12X24
12 x 36 inch	1980 BLK 12X36	1980 CHY 12X36	1980 ESP 12X36	1980 MPL 12X36	1980 OK 12X36	1980 WAL 12X36	1980 WH 12X36
12 x 48 inch	1980 BLK 12X48	1980 CHY 12X48	1980 ESP 12X48	1980 MPL 12X48	1980 OK 12X48	1980 WAL 12X48	1980 WH 12X48
12 x 60 inch	–	–	–	–	1980 OK 12X60	–	1980 WH 12X60
12 x 72 inch	–	–	–	–	1980 OK 12X72	–	1980 WH 12X72
16 x 36 inch	–	–	–	–	–	–	1980 WH 16X36
16 x 48 inch	–	–	–	–	–	–	1980 WH 16X48
16 X 60 inch	–	–	–	–	–	–	1980 WH 16X60

1980 BLK



1980 CHY



1980 ESP



1980 MPL



1980 OK



1980 WAL



1980 WH



1990 Heavy-Duty Designer Shelf Board

- Holds up to 300 pounds when properly installed
- 3/4 inch thick with rounded front corners
- Scratch and stain resistant for long life
- Easy to clean surface

Finish: Oak (OK), White (WH)

Pack Configurations	
Standard	4 per carton; 20x36 inch packed 3 per carton

1990 Series Shelving Standard Pack		
Size	OAK (OK)	White (WH)
8 x 24 inch	1990 OK 8X24	1990 WH 8X24
8 x 36 inch	1990 OK 8X36	1990 WH 8X36
10 x 24 inch	1990 OK 10X24	1990 WH 10X24
10 x 36 inch	1990 OK 10X36	1990 WH 10X36
12 x 36 inch	1990 OK 12X36	1990 WH 12X36
12 x 48 inch	1990 OK 12X48	1990 WH 12X48
20 X 36 inch	1990 OK 20X36	1990 WH 20X36

1990 WH & OK





Hardware and Storage Accessories

Door & Mirror Hardware

Magnetic and Bullet Catches	91
Sliding Door Pulls.	91
Mirror Clips, Glass Clips and Fittings.	92

Drawer Accessories

Index Followers, Locks and Pulls.	93
Fasteners and Locks	94–95
Rollers and Sheaves.	95–96

Sliding Door Hardware

Plastic Tracks and Guides.	97–98
Roll-Ezy Ball Bearing Tracks	99–100

Closet Rod

660 Series Heavy-Duty Round Closet Rods	101
750 Series Heavy-Duty Round Closet Rods	101
770 Series Extra-Duty Round Closet Rods	101
Mounting Flanges and Accessories	102
880 Series Extra-Duty Oval Closet Rod and Accessories	103
KV2 Adjustable Closet Rod	103
Closet Max™ Series Heavy-Duty Adjustable Closet Rods.	104

Closet Brackets

1180 Series Closet Shelf Brackets	105
1190 Series Closet Rod and Shelf Brackets	106-108

Closet Storage Aids

Utility Hooks	109
Coat Hooks	109
Extension Hang Rods	110
Three-Bar Towel Bars.	110

Magnetic and Bullet Catches

Magnetic Catches

915 BR Economy Magnetic Catch

Size: 2 inch x 1 inch, pull strength 5 to 11 pounds

Finish: Tan Plastic (TN)

Packed: 100 per carton

918 ALUM Heavy-Duty Aluminum Magnetic Catch

Size: 2-1/16 inch x 1 inch pull strength, approximately 7 pounds

Finish: Aluminum (ALUM)

Packed: 10 per carton, packed in a clear envelope with screws

Bullet Catches

901 BR DIP Varnish-Proof Steel Catch with Barrel and Spring

Size: 3/8 inch diameter, 1/2 inch long, 5/8 inch diameter strike

Finish: Brass-look (BR)

Packed: 100 per carton

902 BR DIP Steel Catch with Barrel and Spring

Size: 21/64 inch diameter, 3/8 inch long, 5/8 inch diameter strike

Finish: Brass-look (BR)

Packed: 100 per carton

903 BR DIP Adjustable brass catch

Size: 3/8 inch diameter; 5/8 inch long;
9/16 inch x 1-1/16 inch diameter strike

Finish: Brass-look (BR)

Packed: 100 per carton

905 BR DIP Adjustable Brass-look Catch

Size: 1/2 inch diameter; 1-1/32 inch long;
5/8 inch x 1-1/4 inch diameter strike

Finish: Brass-look (BR)

Packed: 50 per carton with screws

915



918



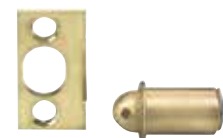
901



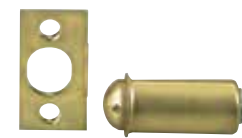
902



903



905



Sliding Door Pulls

Knob Pulls

813 ANO

Size: Over-flange 3/16 inch x 2-7/8 inch

Bore 51/64 inch x 2-1/2 inch x 25/64 inch deep

Finish: Anochrome (ANO)

Origin: Made in the USA

Packed: 100 per carton

1088 ANOD

Finish: Zinc plated steel (ANOD)

Packed: In sets: 2 knobs, screws, and rubber bumpers per envelope.
50 sets per carton

Features: Mounts to 1095 shoe (1092 assembly)

Finger Pulls

801X BR, 801X NP, 803X BR and 803X NP Flush Finger Pull

Size: 801-1/4 inch depth; 803-3/8 inch depth

Origin: Made in the USA

Finish: Nickel Plate (NP), Brass-look (BR)

Packed: 100 per carton

806 ANO and 806 BR Flush Finger Pull

Size: 2-1/16 inch diameter over flange

Bore 1-3/4 inch diameter hole, 13/32 inch deep

Origin: Made in the USA

Finish: Anochrome (ANO), Brass-look (BR)

Packed: 10 per carton

836 ANO and 836 BR Threaded Finger Pull

Size: 1-3/4 inch x 3-1/4 inch x 9/16 inch deep with beveled edges

Origin: Made in the USA

Finish: Anochrome (ANO), Brass-look (BR)

Packed: 50 per carton

Features: Two-piece screw-together pull for glass 3/16 inch to 5/16 inch thick; 1-1/16 inch OD rim

Drill 13/16 inch hole in glass for installation

813



1088



801X/803X



806



836



Mirror Clips, Glass Clips and Fittings

6092 PLAS and 6094 PLAS

Size: 6092 for 1/4 inch glass; 6094 for 1/8 inch glass
 Finish: Clear Plastic (PLAS)
 Packed: 100 per carton with screws

PK6092 PLAS

Finish: Clear Plastic (PLAS)
 Packed: 6 per poly bag with screws; 24 bags per carton

6875 PLAS

Size: 1-1/8 inch diameter
 Finish: Clear Plastic (PLAS)
 Packed: 100 per carton with screws

266 CHR for 1/4 inch glass

Size: 1-1/16 inch long x 3/4 inch wide
 Finish: Chrome (CHR)
 Packed: 12 per carton with screws

268 CHR for 1/4 inch glass

Size: 1-1/4 inch long x 11/16 inch wide
 Finish: Chrome (CHR)
 Packed: 12 per carton with screws

277 ANO

Size: 1-1/2 inch wide x 1 inch high
 Origin: Made in the USA
 Finish: Anochrome (ANO)
 Packed: 10 per carton
 Features: Screw attached upper flange for snug mounting

278 ANO

Size: 1-1/2 inch wide x 1-1/8 inch high
 Origin: Made in the USA
 Finish: Anochrome (ANO)
 Packed: 10 per carton
 Features: Screw attached upper flange for snug mounting

288 ANO for 1/4 inch glass

Size: 1/2 inch wide
 Origin: Made in the USA
 Finish: Anochrome (ANO)
 Packed: 100 per carton

306 ANO

Size: 9/16 inch wide x 1-1/4 inch long
 Origin: Made in the USA
 Finish: Anochrome (ANO)
 Packed: 100 per carton
 Features: Countersunk for #4 screws

309 ANO for 5/16 inch glass

Size: 9/16 inch wide x 1-1/4 inch long
 Origin: Made in the USA
 Finish: Anochrome (ANO)
 Packed: 100 per carton
 Features: Countersunk for #4 screws

313 ANO 1/2 (1/2 inch opening) and 313 ANO 3/4 (3/4 inch opening)

Size: 9/16 inch wide
 Origin: Made in the USA
 Finish: Anochrome (ANO)
 Packed: 100 per carton

318 ANO for 5/16 inch glass

Size: 9/16 inch wide x 1-1/4 inch long
 Origin: Made in the USA
 Finish: Anochrome (ANO)
 Packed: 100 per carton
 Features: Countersunk slot for #5 flat head screws

537 ZC

Size: Two 3/16 inch screw holes
 Origin: Made in the USA
 Finish: Zinc (ZC) plated steel
 Packed: 100 per carton

6092/6094



6875



266



268



277



278



288



306



309



313



318



537



Index Followers, Locks, and Pulls

Index Followers and Track

475F ZC Card Sized Index Follower

Size: Mounted plate is 2-11/16 inches from track and 4-3/4 inches wide
 Origin: Made in the USA
 Finish: Anochrome (ANO)
 Packed: 10 per carton

476F ZC Letter Sized Index Follower

Size: Mounted plate is 7-5/8 inches from track and 10-3/4 inches wide
 Origin: Made in the USA
 Finish: Anochrome (ANO)
 Packed: 10 per carton

476T ZC Index Follower Track

475 Size: 26 inches long; may be recessed 1-3/4 inches x 1/4 inch slot
 476 Size: 26 inches long; may be recessed 2-1/4 inches x 1/4 inch slot
 Origin: Made in the USA
 Finish: Anochrome (ANO)
 Packed: 10 per carton with screws

Label Holders

701 ANO Label Holder

Size: 2-5/8 inches x 1-7/16 inches for card dimension of 2 inches x 1 inch
 Origin: Made in the USA
 Finish: Anochrome (ANO)
 Packed: 100 per carton

704 ANO Label Holder

Size: 3-1/2 inches x 1-3/4 inches for card dimension of 2-15/16 inches x 1-1/2 inches
 Origin: Made in the USA
 Finish: Anochrome (ANO)
 Packed: 100 per carton

Drawer Locks

986 Series Drawer Lock

986 NP (mounts to material up to 7/8 inch thick)

Size: Mounting flange: 1-1/2 inches x 2 inches wide with screw holes on 1-7/16 inch centers; Barrel OD: 7/8 inch;
 Bolt Travel: 3/8 inch
 Origin: Made in the USA
 Finish: Polished Nickel (NP)
 Packed: 12 per carton
 Features: Available keyed alike or with up to 4 key changes

986 Series Drawer Locks		
Product	Finish	Keyed
986KA 70 NP	Nickel (NP)	Alike
986KD 71 NP	Nickel (NP)	Different
986KD 72 NP	Nickel (NP)	Different
986KD 73 NP	Nickel (NP)	Different
986KD 74 NP	Nickel (NP)	Different

Drawer Pulls

819X Flush Drawer Pull

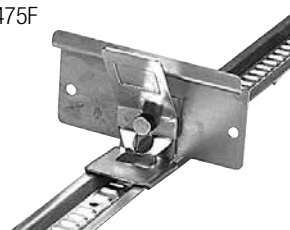
Size: 1-3/4 inches x 3-1/4 inches x 9/16 inch deep with beveled edges
 Finish: Anochrome (ANO), Dull Brass (BR), Polished Brass (PB)
 Packed: 12 per carton with screws

986 Drawer Locks	
Product	Finish
819X ANO	Anochrome (ANO)
819X BR	Dull Brass (BR)
819X PB	Polished Brass (PB)

822 ALUM Extruded Aluminum Pull

Size: 3-7/8 inch long
 Finish: Aluminum (AL)
 Packed: 12 per carton

475F



476F



476T



701



704



986



819X



822



Fasteners and Locks

Fasteners

320 STL Table Top Fastener, 1 inch width
 323 STL Table Top Fastener, 5/8 inch width
 324 STL Table Top Fastener, 3/4 inch width
 Origin: Made in the USA
 Finish: Steel (STL)
 Packed: 100 per carton

341 ZC and 342 ZC Corner Brace
 Size: 341: 1 inch x 1 inch installed; 342: 2 inches x 2 inches installed
 Origin: Made in the USA
 Finish: Zinc (ZC)
 Packed: 100 per carton

1547 STL Desk Top Fastener
 Origin: Made in the USA
 Finish: Steel (STL)
 Packed: 100 per carton

1548 ZC Desk Top Fastener
 Origin: Made in the USA
 Finish: Zinc (ZC)
 Packed: 500 per carton

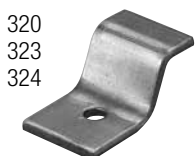
521 ZC Hanger Plate (1/16 inch steel)
 Size: 13/16 inch x 2 inches
 Origin: Made in the USA
 Finish: Zinc (ZC)
 Packed: 100 per carton
 Screws: Use with 3/4 inch #10 flathead wood screws

Hinges

472 ANO Steel Support Hinge
 Size: 6 inches or 10 inches
 Origin: Made in the USA
 Finish: Anochrome (ANO)

Pack Configurations	
Standard	12 pair (left and right handed) per carton with screws
Optional	Left or right hand packaged separately in cartons of 24

472 Support Hinges Standard Pack		472 Support Hinges Optional Pack		
Standard	Finish	Product	Finish	Handed
472 ANO 6	Anochrome (ANO)	472L ANO 6	Anochrome (ANO)	Left
472 ANO 10	Anochrome (ANO)	472L ANO 10	Anochrome (ANO)	Left
		472R ANO 6	Anochrome (ANO)	Right
		472R ANO 10	Anochrome (ANO)	Right



Door Locks

962KA 440 CHR Adjustable Ratchet Lock for 3/4 inch glass
 963KA 440 CHR Adjustable Ratchet Lock for 1/4 inch glass
 Size: Adjustable 3/4 inch to 3-3/8 inch
 Finish: Chrome (CHR)
 Packed: 12 per carton
 Features: 962 fits any door to 3/4 inch with thumbscrew adjustment
 963 fits 1/4 inch sliding glass doors

965KA 50 NP, 965KD 50 NP, 965KD 51 NP, 965KD 52 NP, 965KD 53 NP, and 965KD 54 NP Adjustable Locks
 Size: Adjustable from 1 inch to 3-3/8 inches
 Finish: Polished Nickel (NP)
 Packed: 12 per carton
 Features: Adjustable lock for 1/4 inch sliding glass doors

984KA 90 NP Plunger Lock
 Size: Mounting flange: 7/8 inch x 2 inches with screw holes on 1-1/2 inch centers; Barrel: 7/8 inch outside diameter; Plunger travel: 15/32 inch; Plunger receptacle: 1/2 inch (outside diameter) x 7/16 inch
 Finish: Polished Nickel (NP)
 Packed: 12 per carton
 Features: Keyed alike only

989 SPR BR and 989 ALUM Secret Gate Latch
 Size: 2 inches x 2-3/8 inches
 Finish: Sprayed Brass-look (SPR BR), Aluminum (ALUM)
 Packed: 12 per carton
 Features: Interchangeable left or right hand mounting



Fasteners and Rollers

Tite-Joint® Fastener

516 ZC designed for 3/4 inch wood

Size: Center-to-center 2 inches to 3-1/2 inches

Origin: Made in the USA

Finish: Zinc (ZC)

Features: Applies an even, controlled pressure between joint members to eliminate twisting and buckling

Pack Configurations	
Standard	25 per carton
Builders (BP)	100 per carton

516 Fasteners Zinc (ZC)		516 Joint Fastener Accessory Parts		
Standard	Builders (BP)	Product	Description	Packed
516/25 ZC	516/100 ZC	516-1	Draw Bolt	1 per carton
		516-60	Locking Sleeve	1 per carton
		516-62	Tightening Rod	1 per carton
		516-63	Drill Guide	1 per carton
		516-64	Drill	1 per carton
		516-80 100	Tightening Assembly	1 per carton

Bolt Style Fastener

510 ZC

Size: 4 inch bolt with plate 5/16 inch x 5/8 inch x 1-1/2 inches

Finish: Zinc (ZC)

Packed: 100 per carton

Features: An economical fastener, easy to install

513 ZC

Size: 4 inch bolt with flat bar plate 7/16 inch x 3/16 inch x 1-1/4 inches

Finish: Zinc (ZC)

Packed: 100 per carton

517 ZC

Size: 3-1/2 inch bolt with flat bar plate 7/16 inch x 3/16 inch x 1-1/4 inches

Finish: Zinc (ZC)

Packed: 100 per carton

516



516-1



516-60



516-62



516-63



516-64



516-80 100



Door Rollers

420 STL

Size: Frame: 7/16 inch x 1-7/8 inches; nylon roller: 9/16 inch diameter; 5/16 inch wide

Finish: Steel (STL)

Packed: 100 per carton

422 STL

Size: Frame: 5/8 inch x 1-13/16 inches; nylon roller: 9/16 inch diameter; 1/2 inch wide

Finish: Steel (STL)

Packed: 100 per carton

423 STL

Size: Frame: 5/8 inch x 1-13/16 inches; steel roller: 5/8 inch diameter; 1/2 inch wide

Finish: Steel (STL)

Packed: 100 per carton

424 STL

Size: Frame: 1 inch x 2 inches; steel roller: 5/8 inch diameter; 7/8 inch wide

Finish: Steel (STL)

Packed: 50 per carton

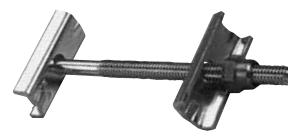
627 SS

Size: Frame: 9/16 inch x 3/4 inch; steel roller: 1/2 inch diameter; Fits 9/16 inch groove in door rail. Held in place by flared points.

Finish: Brass-lock (BR) case with Stainless Steel (SS) roller

Packed: 100 per carton

510



513, 517



420



422, 423



424



627



Sheaves

413X BR for use with KV tracks 455, 467, and 469
 Size: Frame: 2-15/16 inches x 7/16 inch; Wheel: 1-3/16 inches diameter
 Finish: Bronze wheel with a Brass-look (BR) frame
 Packed: 50 per carton with screws
 Features: Brass wheel on self-lubricating bearing

427 STL for use with KV tracks 455, 467, and 469
 Size: Frame: 2-15/16 inches x 1/2 inch; Wheel: 1-3/16 inches diameter
 Finish: Steel (STL)
 Packed: 50 per carton
 Features: Ball-bearing round groove sheave

429 STL for use with KV tracks 455, 467, and 469
 Size: Frame: 2-1/4 inches x 3/8 inch; Wheel: 1 inch diameter
 Finish: Steel (STL)
 Packed: 100 per carton
 Features: Round groove sheave

430 STL For use with KV tracks 455, 467, and 469
 Size: Frame: 2-3/4 inches x 1/2 inch; Wheel: 1-3/8 inches diameter
 Origin: Made in the USA
 Finish: Steel (STL)
 Packed: 50 per carton
 Features: Ball-bearing round groove sheave

430 N STL used without track
 Size: Frame: 2-3/4 inches x 1/2 inch; Wheel: 1-3/8 inches diameter
 Finish: Steel (STL)
 Packed: 50 per carton
 Features: Flat neoprene tire, ball-bearing sheave

592 STL for use with inverted KV track 455
 Size: Frame: 9/32 inch x 2-1/4 inches; Wheel: 1-3/16 inches diameter
 Finish: Steel (STL)
 Packed: 100 per carton
 Features: Nylon convex wheel for thin doors

594 NYLON for use with all KV tracks
 Size: Frame: 2-15/16 inches x 1/2 inch; Wheel: 1-3/16 inches diameter
 Finish: Steel (STL)
 Packed: 50 per carton
 Features: For doors to 1-1/8 inches thick; nylon round groove wheel

607 ZC for use with KV tracks 455, 467, and 469
 Size: Frame: 2-5/16 inches x 1-5/16 inches; Wheel: 1-3/8 inches diameter
 Finish: Steel (STL)
 Packed: 50 per carton
 Features: Heavy-duty ball-bearing sheave with side fastening plate

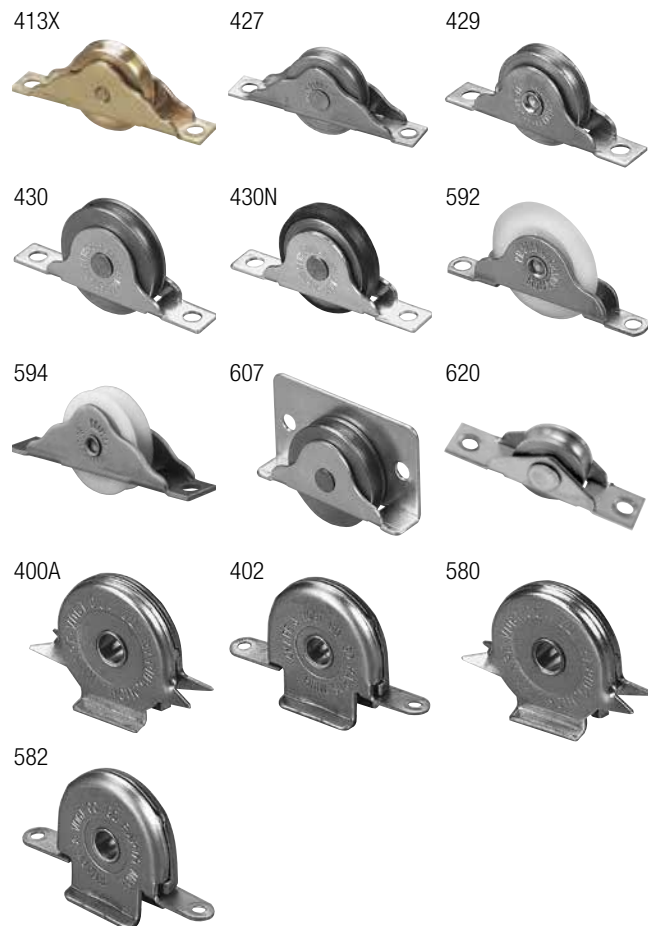
620 STL for use with KV tracks 455, 467, and 469
 Size: Frame: 7/16 inch x 1-7/8 inches; Wheel: 11/16 inch x 9/32 inch
 Finish: Steel (STL)
 Packed: 100 per carton
 Features: Axle bearing grooved steel roller

400A STL for use with KV tracks 455, 467, and 469
 Size: Case: 1-1/4 inches x 5/16 inch
 Finish: Steel (STL)
 Packed: 100 per carton
 Features: Ball-bearing sheave drive type

402 STL for use with KV tracks 455, 467, and 469
 Size: Frame: 1-1/4 inches x 5/16 inch; Flange: 2-1/4 inches x 5/16 inch
 Finish: Steel (STL)
 Packed: 100 per carton
 Features: Ball-bearing sheave

580 STL for use with KV tracks 455, 467, and 469
 Size: Case: 1-1/4 inches x 5/16 inch
 Finish: Steel (STL)
 Packed: 100 per carton
 Features: Nylon round groove sheave for light doors

582 STL for use with KV tracks 455, 467, and 469
 Size: Case: 1-1/4 inches x 5/16 inch; Flange: 2-1/4 inches x 5/16 inch
 Finish: Steel (STL)
 Packed: 100 per carton
 Features: Nylon round groove sheave



Plastic Tracks and Guides for Sliding Doors

Fiber Track

2401 FIBRE 72

Size: 1/8 inch width x 1/2 inch height x 72 inch length

Finish: Black

Packed: 1 each

Plastic Track and Upper Guides for 1/4" Doors

2412 TAN 144, 2412 GRAY 144, and 2412 WAL 144 Upper Guides

Size: 27/32 inch width x 9/16 inch height x 144 inch length

Finish: Tan (TAN), Gray (GRY), and Walnut (WAL)

Packed: 1 each

2416 TAN 144, 2416 GRAY 144, and 2416 WAL 144 Tracks

Size: 27/32 inch width x 5/16 inch height x 144 inch length

Finish: Tan (TAN), Gray (GRY), and Walnut (WAL)

Packed: 1 each

Plastic Track and Upper Guides for 3/4 Inch Doors

2418 TAN 144 Upper Guide

Size: 1-15/16 inch width x 3/4 inch height x 144 inch length

Finish: Tan (TAN)

Packed: 1 each

2420 TAN 144 Track

Size: 1-15/16 inch width x 3/8 inch height x 144 inch length

Finish: Tan (TAN)

Packed: 1 each

Nylon Guides

2406 Nylon Guide

Size: 1 inch length x 1/4 inch width

Packed: 50 per carton

2407 Nylon Guide

Size: 1-3/8 inch length x 3/8 inch width

Packed: 50 per carton

Packaged Assemblies

P2413 1/8 inch, P2417 1/4 inch, P2419 3/4 inch, and P2421 1/2 inch Door Assembly Kits

Size: 48 inch, 60 inch and 72 inch lengths

Finish: Tan (TAN), Walnut (WAL), White (WH)

Packed: 10 sets per carton

Door Assembly Kits							
Product	Finish	Length	Door Size	Product	Finish	Length	Door Size
P2413 TAN 48	Tan (TAN)	48 inch	1/8 inch	P2419 TAN 48	Tan (TAN)	48 inch	3/4 inch
P2413 TAN 60	Tan (TAN)	60 inch	1/8 inch	P2419 TAN 60	Tan (TAN)	60 inch	3/4 inch
P2413 TAN 72	Tan (TAN)	72 inch	1/8 inch	P2419 TAN 72	Tan (TAN)	72 inch	3/4 inch
P2413 WH 48	White (WH)	48 inch	1/8 inch	P2419 WH 48	White (WH)	48 inch	3/4 inch
P2413 WH 60	White (WH)	60 inch	1/8 inch	P2419 WH 60	White (WH)	60 inch	3/4 inch
P2417 WH 72	White (WH)	72 inch	1/8 inch	P2419 WH 72	White (WH)	72 inch	3/4 inch
P2417 TAN 48	Tan (TAN)	48 inch	1/4 inch	P2421 TAN 48	Tan (TAN)	48 inch	1/2 inch
P2417 TAN 60	Tan (TAN)	60 inch	1/4 inch	P2421 TAN 60	Tan (TAN)	60 inch	1/2 inch
P2417 TAN 72	Tan (TAN)	72 inch	1/4 inch	P2421 TAN 72	Tan (TAN)	72 inch	1/2 inch
P2417 ALM 48	Almond (ALM)	48 inch	1/4 inch	P2421 WH 48	White (WH)	48 inch	1/2 inch
P2417 ALM 60	Almond (ALM)	60 inch	1/4 inch	P2421 WH 60	White (WH)	60 inch	1/2 inch
P2417 ALM 72	Almond (ALM)	72 inch	1/4 inch	P2421 WH 72	White (WH)	72 inch	1/2 inch
P2417 WH 48	White (WH)	48 inch	1/4 inch				
P2417 WH 60	White (WH)	60 inch	1/4 inch				
P2417 WH 72	White (WH)	72 inch	1/4 inch				

2401

2412

2416

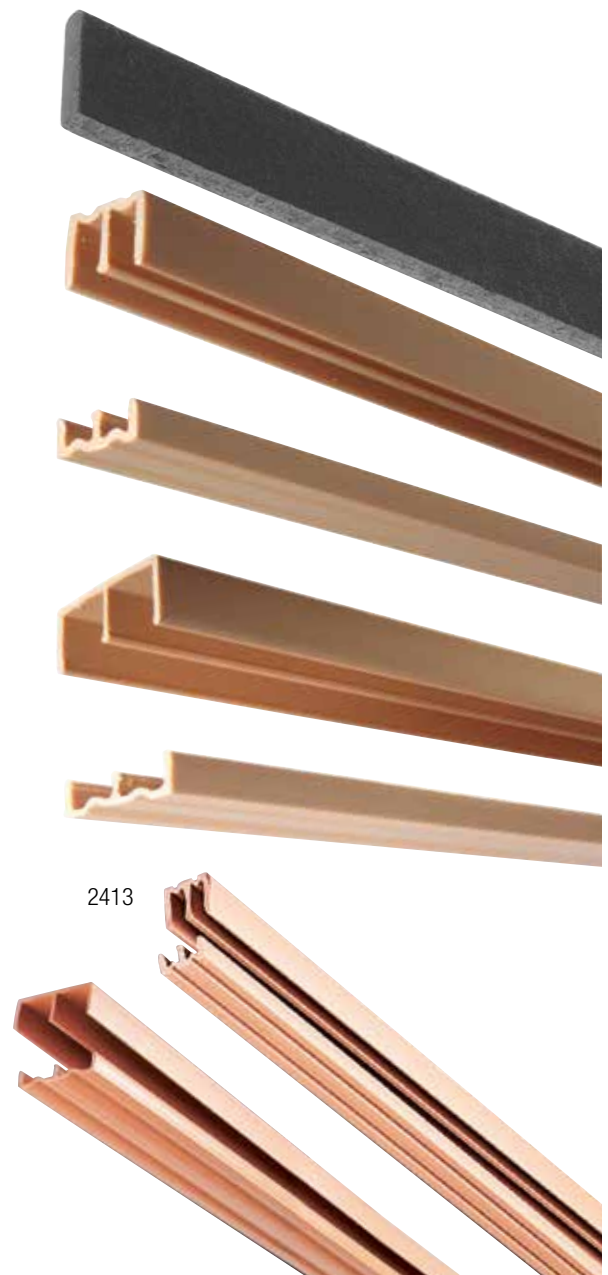
2418

2420

2413

2419

2406
2407

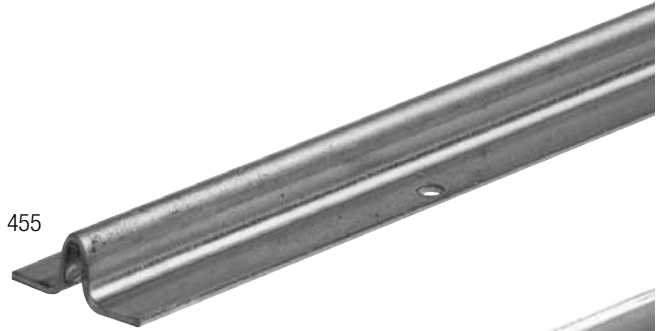


Steel Tracks and Guides for Sliding Doors

455 STL 144 Lower Track

Size: 5/16 inch height x 21/32 inch width x 144 inch length
 Origin: Made in the USA
 Finish: Wrought Steel (STL)
 Packed: 1 each
 Features: 1/2 inch nails included

455



455 SS 144 Lower Track

Size: 5/16 inch height x 21/32 inch width x 144 inch length
 Origin: Made in the USA
 Finish: Stainless Steel (SS)
 Packed: 1 each
 Features: 1/2 inch nails included

467



467 STL 144 Lower Track

Size: 5/16 inch height x 21/32 inch width x 144 inch length
 Origin: Made in the USA
 Finish: Steel (STL)
 Packed: 1 each
 Features: 1/2 inch nails included

469



469 ZC 72, 469 ZC 96, and 469 ZC 144 Double Lower Track

Size: Double track 1/4 inch height x 1 inch width;
 72 inch, 96 inch, and 144 inch lengths
 Origin: Made in the USA
 Finish: Zinc (ZC)
 Packed: 1 each
 Features: 1/2 inch #5 flat head wood nails included

953



953 ZC 144 Top Door Divider

Size: 5/8 inch height x 5/8 inch width x 144 inch length
 Origin: Made in the USA
 Finish: Pre-coated Steel (ZC)
 Packed: 1 per carton
 Features: Upper T-guide separates the sliding door at the top

Roll-Ezy Ball Bearing Track System

953 ZC Top Door Divider — for use with 1/4 inch glass doors only

Size: 5/8 inch width x 5/8 inch height x 144 inch length
 Origin: Made in the USA
 Finish: Zinc (ZC)
 Packed: 1 each
 Features: Pre-coated steel upper T-guide for wood framed installations

993 ZC 144 Upper Channel

Size: 15/16 inch wide x 5/8 inch height x 144 inch length
 Origin: Made in the USA
 Finish: Zinc (ZC)
 Packed: 1 each
 Features: Upper channel for top and ends of opening; wide divider maintains door position

995 ZC 144 Door Shoe — for 1/4 inch glass, scant or full

Size: 7/16 inch height x 144 inch length
 Origin: Made in the USA
 Finish: Zinc (ZC)
 Packed: 1 each
 Features: Lightly curved bottom for free rolling position on ball bearings

997 ZC 144 Ball Carrier

Size: 144 inch lengths
 Origin: Made in the USA
 Finish: Zinc (ZC)
 Packed: 1 each
 Features: Ball bearing carrier has free rolling balls on 3 inch centers; unique design creates two point suspension between shoe and lower rack

999 ZC 144 Lower Track

Size: 1 inch wide x 1 inch high x 144 inch length
 Origin: Made in the USA
 Finish: Zinc (ZC)
 Packed: 1 each
 Features: Balls ride freely on curved anvil with no contact against sides of lower track

Note: For each foot of opening use 1 foot of upper channel and lower track and shoe (plus 1 inch per door for overlap), with 1-1/2 foot of carrier (1-1/2 times door width for each door). Glass is cut 1-1/4 inch lower than height of opening.

Complete Assembly

P992 Large Glass Door Kit

Includes: (1) 993 Upper Channel, (2) 995 Shoe, (2) 997 Carrier, (1) 999 Lower Track

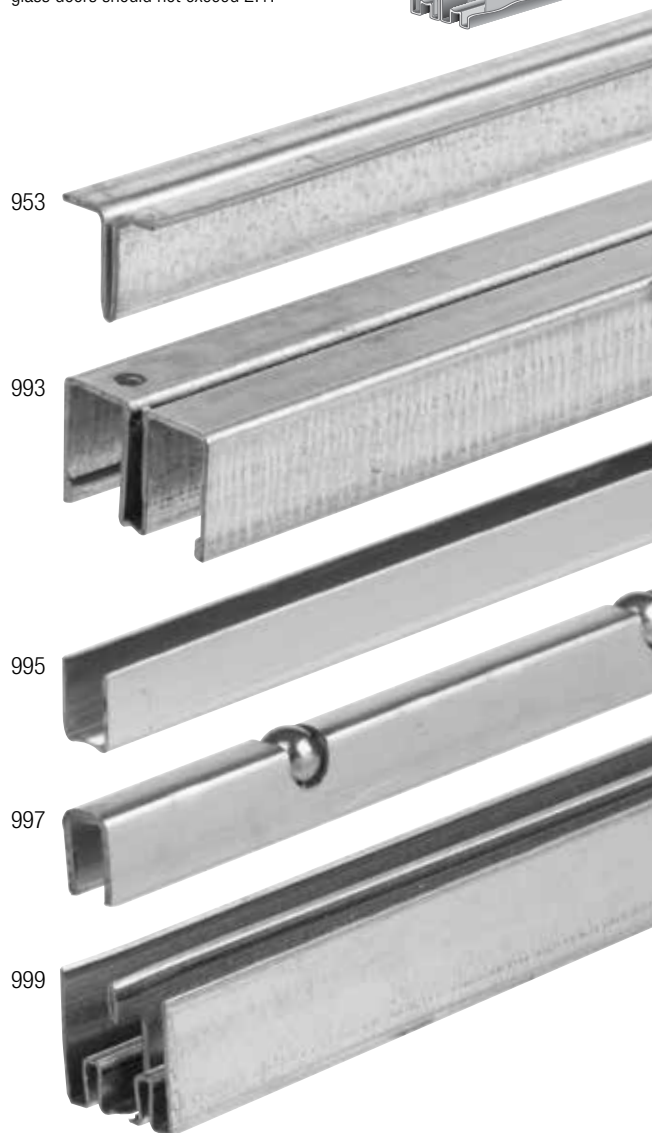
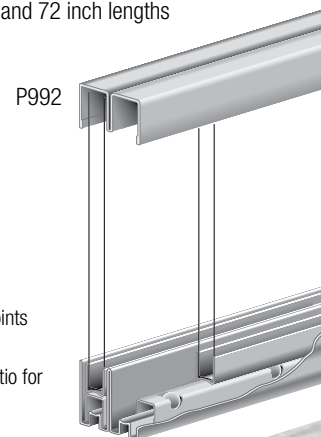
Origin: Made in the USA
 Stocked: 36 inch, 48 inch, 60 inch, and 72 inch lengths
 Packed: 1 set per carton

Complete Assemblies	
Product	Length
P992 ZC 36	36 inch
P992 ZC 48	48 inch
P992 ZC 60	60 inch
P992 ZC 72	72 inch

Installation Notes & Recommendations:

Knape & Vogt does not recommend butt-joints and/or openings longer than 12 feet.

We recommend that the height to width ratio for glass doors should not exceed 2:1.



Roll-Ezy Aluminum Track System

1093 144 Upper Channel — For use with 1/4 inch glass only
 Size: 1-3/16 inch width x 9/16 inch height x 144 inch length
 Finish: Aluminum (AL)
 Packed: 1 each
 Features: Double channel for tops, bottoms, and ends.

1095 144 Door Shoe — For use with 1/4 inch glass
 Size: 1 inch height x 144 inch length
 Finish: Aluminum (AL)
 Packed: 1 each
 Features: Rollers to be inserted in the bottom

1096 144 Single Lower Track
 Size: 31/64 inch width x 15/32 inch height x 144 inch length
 Finish: Aluminum (AL)
 Packed: 1 each
 Features: For single doors, or may be used with 1093 double channel for covered installation
 Note: Cut glass 1-1/2 inch lower than opening when using 1096/1093 tracks

1099 144 Double Lower Track
 Size: 1-1/16 inch width x 1/4 inch height x 144 inch length
 Finish: Aluminum (AL)
 Packed: 1 each
 Note: Cut glass 1-3/16 inch lower than opening when using 1099 track

1085 VINYL Guide
 Size: 7/8 inch length
 Finish: Vinyl (VINYL)
 Packed: 100 per carton
 Features: Vinyl guide fits over the top of glass for noiseless operation in upper channel

1087 RUB Rubber Bumper
 Finish: Rubber (RUB)
 Packed: 100 per carton
 Features: Rubber bumper installs in jambs to cushion glass

1097 NYLON Nylon Rollers
 Finish: Nylon (NYLON)
 Packed: 100 per carton
 Features: Rubber roller press fits into bottom of 1095 shoe

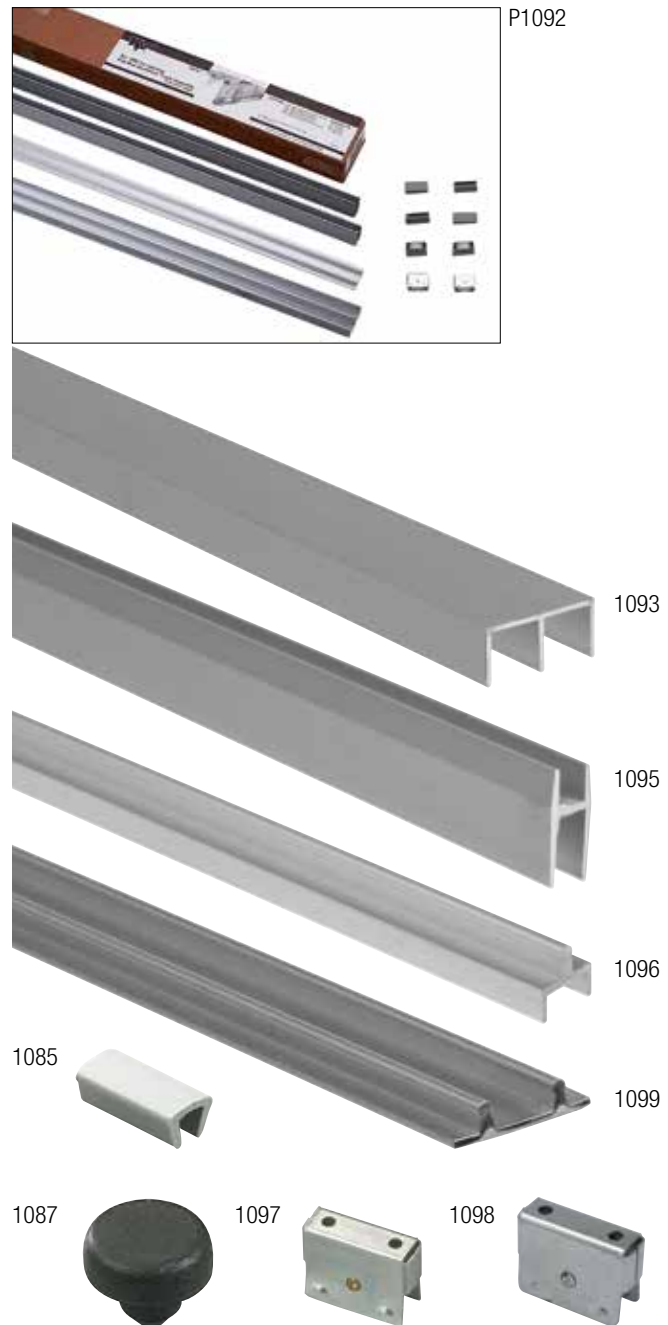
1098 ZC Steel Ball Bearing Roller
 Finish: Zinc (ZC)
 Packed: 20 per carton
 Features: Steel ball bearing roller press fits into bottom of 1095 shoe

Complete Assembly

P1092 Small to Medium Glass Door Kit
 Includes: (1) 1093 Upper Channel, (4) 1097 Rollers,
 (4) 1085 Vinyl Guides, (2) 1095 Shoe, (1) 1099 Lower Track
 Stocked: 36 inch, 48 inch, 60 inch, and 72 inch lengths
 Packed: 1 set per carton

Complete Assemblies	
Product	Length
P1092 ANOD 36	36 inch
P1092 ANOD 48	48 inch
P1092 ANOD 60	60 inch
P1092 ANOD 72	72 inch

Installation Notes & Recommendations:
 Knap & Vogt does not recommend butt-joints and/or openings longer than 12 feet.
 We recommend that the height to width ratio for glass doors should not exceed 2:1.



Round Closet Rods

660 Series Heavy-Duty Round Closet Rod

660 Series Heavy-Duty Round Closet Rod

Diameter: Outside 1-1/16 inches; Inside 29/32 inch; Wall thickness 0.087 inch

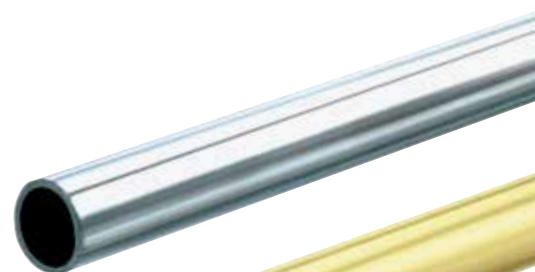
Origin: Made in the USA

Finish: Brass (BR), Stainless Steel (SS)

Packed: 6 per carton

Features: Steel core with solid stainless steel or brass wrap

660 Series Heavy-Duty Round Closet Rods		
Length	Brass (BR)	Stainless Steel (SS)
48 inch	660 BR 48	660 SS 48
60 inch	660 BR 60	660 SS 60
72 inch	660 BR 72	660 SS 72
96 inch	660 BR 96	660 SS 96
120 inch	660 BR 120	660 SS 120
144 inch	660 BR 144	660 SS 144



660 SS



660 BR

750 Series Heavy-Duty Round Closet Rod

750 1 Heavy-Duty Round Closet Rod

Diameter: Outside 1-1/16 inches; Inside: 29/32 inch; Wall thickness: 0.075 inch

Finish: Chrome (CHR)

Packed: 6 per carton

750 5 Heavy-Duty Round Closet Rod

Diameter: Outside 1-5/16 inches; Inside 1-5/32 inches; Wall thickness 0.075 inch

Finish: Chrome (CHR)

Packed: 6 per carton

750 Series Heavy-Duty Round Closet Rods		
Length	750 1 Series	750 5 Series
72 inch	750 1 72	750 5 72
96 inch	750 1 96	750 5 96
120 inch	750 1 120	750 5 120
144 inch	750 1 144	750 5 144



750 CHR

770 Series Extra-Duty Round Closet Rods

770 1 Extra-Duty Round Closet Rod

Diameter: Outside: 1-1/16 inches; Inside: 27/32 inch; Wall thickness: 0.106 inch

Finish: Chrome (CHR)

Packed: 6 per carton

770 5 Extra-Duty Round Closet Rod

Diameter: Outside: 1-5/16 inches; Inside: 1-13/64 inches; Wall thickness: 0.106 inch

Finish: Chrome (CHR)

Packed: 6 per carton

770 Series Extra-Duty Round Closet Rods		
Length	770 1 Series	770 5 Series
48 inch	770 1 48	—
60 inch	770 1 60	—
72 inch	770 1 72	770 5 72
96 inch	770 1 96	770 5 96
120 inch	770 1 120	770 5 120
144 inch	770 1 144	770 5 144



770 CHR

Mounting Flanges and Accessories

734 BR and 734 CHR Closed Wall-Mount Flange for 660, 750 1 and 770 1 Series Closet Rods

Finish: Brass (BR), Chrome (CHR)
 Packed: 50 per carton with screws
 Holes: 2 screw holes on 2 inch centers

734 BR



735 BR



735 BR and 735 CHR Open Wall-Mount Flange for 660, 750 1 and 770 1 Series Closet Rods

Finish: Brass (BR), Chrome (CHR)
 Packed: 50 per carton with screws
 Holes: 2 screw holes on 2 inch centers

734 CHR



735 CHR



764 CHR Closed Wall-Mount Flange for 750 5 and 770 5 Series Closet Rods

Finish: Chrome (CHR)
 Packed: 12 per carton with screws
 Holes: 3 holes spaced 1-1/8 inch from center

764 CHR



766 CHR



766 CHR Open Wall-Mount Flange for 750 5 and 770 5 Series Closet Rods

Finish: Chrome (CHR)
 Packed: 12 per carton with screws
 Holes: 2 holes on 2-1/4 inch centers, one at 90°

730 ANO End Cap for use with 660 Series Closet Rods

Finish: Anochrome (ANO)
 Packed: 50 per carton

730 ANO



731 ANO



732 ANO



731 ANO End Cap for 750 1 and 770 1 Series Closet Rods

Finish: Anochrome (ANO)
 Packed: 50 per carton
 Note: May need to modify prongs for 750 1 installation

732 ANO End Cap for 750 5 and 770 5 Series Closet Rods

Finish: Anochrome (ANO)
 Packed: 50 per carton
 Note: May need to modify prongs for 750 5 installation

742 CHR Three-Tier Wall Mount Flange for 660, 750 1 and 770 1 Series Closet Rods

Finish: Chrome (CHR)
 Packed: 12 per carton with screws
 Holes: 3 screw holes

742 CHR



757 ANO



760 ANO 24"



757 ANO Pilaster Flange for 660, 750 1 and 770 1 Series Closet Rods

Finish: Anochrome (ANO)
 Packed: 100 per carton
 Features: Fits 255 or 233 series pilaster

760 ANO 24 for 660, 750 1 and 770 1 Series Closet Rods

Finish: Anochrome (ANO)
 Packed: 12 per carton with screws
 Features: Center support 24" can be cut to size

632 CHR



632 CHR Line Bore Flange for use with 750 1 and 770 1 Series Closet Rods

Finish: Chrome (CHR)
 Packed: 100 per carton
 Features: Screw hole for extra mounting strength; two 5mm pins

880 Series Extra-Duty Oval Closet Rod

880 Series Oval Closet Rod

Size: 30mm high x 15mm width; wall thickness 1.2 mm
 Lengths: 96 inch and 144 inch lengths
 Finish: Chrome (CHR)
 Packed: 10 per carton lengths
 Features: Heavy gauge, invisible welded seam

Length	Chrome (CHR)
96 inch	880 1 96
144 inch	880 1 144



880

Mounting Flanges

881 CHR Mounting Flange for use with 880 oval tubing

Finish: Chrome (CHR)
 Packed: 50 per carton
 Holes: Screw hole for extra mounting strength; two 5mm pins



881

Extension Closet Rods

KV2 Series Adjustable Closet Rod

Finish: White (WH), Zinc (ZC)

Pack Configurations	
Standard Pack	10 per carton up to 60"-96" size; 5 per carton for 72"-120" and above
Builders Pack (BP)	20 per carton

Length	KV2 White (WH)		KV2 Zinc (ZC)	
	Standard Pack	Builders Pack (BP)	Standard Pack	Builders Pack (BP)
18"-30"	KV2 WH 18		KV2 ZC 18	KV2BP ZC 18
30"-48"	KV2 WH 30		KV2 ZC 30	KV2BP ZC 30
48"-72"	KV2 WH 48		KV2 ZC 48	-
60"-96"	KV2 WH 60		KV2 ZC 60	-
72"-120"	KV2 WH 72		KV2 ZC 72	-

KV2 WH

KV2 ZC

29201



29201 ANO Center Hanger Support

Finish: Anochrome (ANO)
 Packed: 12 per carton
 Features: Use with installations over 72 inch in width

Extension Closet Rods

0020 Series Closet Max™ Heavy-Duty Adjustable Closet Rods

Diameter: Outside 1-1/4 inch

Finish: Brushed Nickel (BN), Bronze (BRZ), Chrome (CH), Warm White (WT)

Packed: 6 per carton

Features: Adjustable heavy-duty closet rods are quick and simple to install and create a quality finished look. The rod quickly attaches to included flanges for easy installation, no cutting necessary

Closet Max™ Heavy-Duty Adjustable Closet Rods				
Length	Brushed Nickel (BN)	Bronze (BRZ)	Chrome (CH)	Warm White (WT)
30–48 inch	RP0020-30/48BN	RP0020-30/48BRZ	RP0020-30/48CH	RP0020-30/48WT
48–72 inch	RP0020-48/72BN	RP0020-48/72BRZ	RP0020-48/72CH	RP0020-48/72WT
72–120 inch	RP0020-72/120BN	RP0020-72/120BRZ	RP0020-72/120CH	RP0020-72/120WT



1180 Series Closet Shelf Brackets

1186BP WT 12 Regular-Duty Adjustable Shelf Bracket

1186

Size: 10-1/4 inch to 10-3/4 inch depth shelving
 Finish: Warm White (WT)
 Packed: 10 per carton
 Features: Holds up to 150-pounds per pair;
 Install with or without wall cleat; 13 gauge steel platform;
 16 gauge steel support strut



1187 Heavy-Duty Non-adjustable Shelf Bracket

Size: 12 inch, 16 inch, 20 inch
 Finish: Chrome (CH), Warm White (WT)
 Packed: 10 per carton
 Features: Holds up to 500-pounds per pair; 14 gauge steel construction

1187

Size	Chrome (CH) Finish	Warm White (WT) Finish
12 inch	1187BP CHR 12	1187BP WT 12
16 inch	–	1187BP WT 16
20 inch	–	1187BP WT 20



1188 Heavy-Duty Non-adjustable Shelf Bracket

Size: 16 inch, 20 inch
 Finish: Warm White (WT)
 Packed: 10 per carton
 Features: Holds up to 500-pounds per pair;
 Optional rod hook (1188BP WT HOOK);
 14 gauge steel construction

Size	Warm White (WT) Finish
16 inch	1188BP WT 16
20 inch	1188BP WT 20

1188



1188BP WT HOOK Closet Rod Hook for use with 1188 Bracket

Finish: Warm White (WT)
 Packed: 20 per carton
 Features: For 1-1/4 inch to 1-5/16 inch closet rod

1188 WT HOOK



1190 Series Adjustable Closet Rod and Shelf Brackets

1190BP WT 12 Economy Rod and Shelf Bracket

Size: 12 inch
 Finish: Warm White (WT)
 Packed: 10 per carton
 Hook Depth: 2-1/2 inch
 Features: Holds up to 150-pounds per pair; KV2 compatible; Use with up to 11–14 inch deep shelves; Must be installed with wall cleat; 12 gauge steel platform

1190

1191BP WT 12 Regular-Duty Adjustable Rod and Shelf Bracket

Size: 12 inch
 Finish: Warm White (WT)
 Packed: 10 per carton
 Hook Depth: 2-1/2 inch
 Features: Holds up to 300-pounds per pair; KV2 compatible; Use with up to 1-3/8 inch OD closet rods; For 11–14 inch deep shelves; install with or without wall cleat; Shelf platform is 10 inch without cleat; 14 gauge steel platform

1191

1192BP WT 12 Regular-Duty Adjustable Rod and Shelf Bracket

Size: 12 inch
 Finish: Warm White (WT)
 Packed: 10 per carton
 Hook Depth: 3 inch
 Features: Holds up to 300-pounds per pair; Use with up to 1-3/8 inch OD closet rods; For 11–14 inch deep shelves; install with or without wall cleat; Shelf platform adjusts from 10-1/4 – 10-3/4 inch; 14 gauge steel construction

1192

1194 Heavy-Duty Adjustable Rod and Shelf Bracket

Size: 12 inch
 Finish: Cream White (CREAM), Bright White (WH)
 Packed: 10 per carton
 Hook Depth: 3 inch
 Features: Holds up to 500-pounds per pair; Use with up to 1-3/8 inch OD closet rods; For 11–14 inch deep shelves; install with or without wall cleat; Shelf platform adjusts from 10-1/4 – 10-3/4 inch; Low profile; 13 gauge steel construction

1194

1194 Heavy-Duty Adjustable Rod and Shelf Bracket	
Cream White (CREAM) Finish	Bright White (WH) Finish
1194 CREAM	1194 WH



1190 Series Fixed Closet Rod and Shelf Brackets

1193BP WT 12 Regular-Duty Fixed Rod and Shelf Bracket

Size: 11 inch
 Finish: Warm White (WT)
 Packed: 10 per carton
 Hook Depth: 2-1/2 inch
 Features: Holds up to 400-pounds per pair; KV2 compatible;
 Use with up to 1-3/8 inch OD closet rods;
 For 11–14 inch deep shelves; 10-7/8 inch shelf platform;
 One-piece design provides superior strength;
 16 gauge steel construction

1193



1195 Heavy-Duty Fixed Rod and Shelf Bracket

Size: 11 inch
 Finish: Cream White (CREAM), Bright White (WH)
 Packed: 10 per carton
 Hook Depth: 2-1/2 inch
 Features: Holds up to 500-pounds per pair; KV2 compatible; Use with up
 to 1-3/8 inch OD closet rods; For 11–14 inch deep shelves;
 11 inch shelf platform; 9/32 inch wire strut; 12 gauge steel
 construction

1195

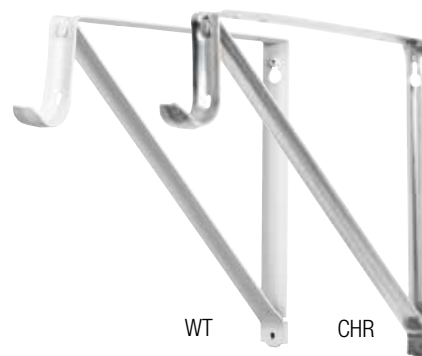


Cream White (CREAM) Finish	Bright White (WH) Finish
1195 CREAM	1195 WH

1196 Heavy-Duty Fixed Rod and Shelf Bracket

Size: 10-3/4 inch
 Finish: Chrome (CHR), Warm White (WT)
 Packed: 10 per carton
 Hook Depth: 3 inch
 Features: Holds up to 500-pounds per pair; Use with up to 1-3/8 inch OD
 closet rods; For 11–14 inch deep shelves; 11 inch shelf
 platform; One-piece design provides superior strength;
 14 gauge steel construction

1196



Chrome (CHR) Finish	White (WT) Finish
1196BP CHR 12	1196BP WT 12

1197BP WT 12 Heavy-Duty Fixed Rod and Shelf Bracket

Size: 10-3/4 inch
 Finish: Warm White (WT)
 Packed: 10 per carton
 Hook Depth: 3 inch
 Features: Holds up to 500-pounds per pair; Use with up to 1-3/8 inch OD
 closet rods; For 10-1/2 – 14 inch deep shelves; 10-5/16 inch
 shelf platform; Patented Slide-Thru™ feature; 14 gauge steel
 construction

1197



1190 Series Fixed Closet Rod and Shelf Brackets

1198 Extra-Duty Fixed Rod and Shelf Bracket

Size: 11-1/4 inch
 Finish: Brushed Nickel (BN), Bronze (BRZ), Chrome (CHR), Warm White (WT)
 Packed: 10 per carton
 Hook Depth: 3 inch
 Features: Holds up to 1,000-pounds per pair; For 11-1/2 –14 inch deep shelves; Snap-in pole feature for 1-1/4 – 1-5/16 inch OD closet rods; 11-1/4 inch shelf platform; Patented Slide-Thru™ feature; 10 gauge steel construction

Brushed Nickel (BN)	Bronze (BRZ)	Chrome (CHR)	White (WT)
1198BP BN 12	1198BP BRZ 12	1198BP CHR 12	1198BP WT 12

1198 BN



1198 BRZ



1198 CHR



1198 WT



1199 WT



1199 BP WT 16 Heavy-Duty Fixed Rod and Shelf Bracket

Size: 14 inch
 Finish: Warm White (WT)
 Packed: 10 per carton
 Hook Depth: 3-3/4 inch
 Features: Holds up to 500-pounds per pair; For 14–18 inch deep shelves; Snap-in pole feature for 1-1/4 – 1-5/16 inch OD closet rods; 14 inch shelf platform; Patented Slide-Thru™ feature; 13 gauge steel construction

Utility Hooks

1132 ANO Utility Hook

Size: 3 inch, 4 inch, 6 inch and 10 inch
 Origin: Made in the USA
 Finish: Anochrome (ANO)
 Packed: 12 per carton with screws
 Features: Sturdy hook for commercial use

Length	SKU Number
3 inch	1132 ANO 3
4 inch	1132 ANO 4
6 inch	1132 ANO 6
10 inch	1132 ANO 10

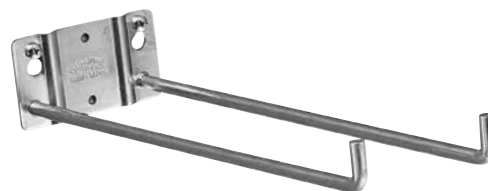
1132



P1198 ANO Utility Hook

Size: 11-3/4 inch long; 3/8 inch diameter prongs; spaced 2.7 inch
 Origin: Made in the USA
 Finish: Anochrome (ANO)
 Packed: 10 per carton
 Features: Double prong utility hooks for storing mops, brooms, shovels, rakes, and more

P1198



2038 CHR and P2038 CHR Coat Hook

Finish: Chrome (CHR)
 Packed: 2038 CHR – 12 units per carton with screws
 P2038 CHR – 1 per poly bag with header; 10 per carton
 Features: Classic institutional garment hook, coat and hat hook

2038



PKV3 ANO Utility Hook

Size: 5-1/2 inch and 10 inch lengths
 Finish: Anochrome (ANO)
 Packed: 10 units per carton with screws
 Features: Sturdy steel rod for extra hanging space

Length	SKU Number
5-1/2 inch	PKV3 ANO 5-1/2
10 inch	PKV3 ANO 10

PKV3



Hang Rods, Clothing Carriers, and Towel Bars

Hang Rod

753

753 ANO Extension Hang Rod

Size: 7/16 inch diameter rod, extends 5/8 inch to 8-1/4 inches

Origin: Made in the USA

Finish: Anochrome (ANO)

Packed: 1 per carton with screws; 12 per carton



Clothing Carrier

KV1 ANO Clothing Carrier

Size: 10 inch – fits 10 inch shelf only

12 inch – fits 12 to 16 inch depth shelves

16 inch – fits 16 to 20 inch depth shelves

20 inch – fits 20 to 24 inch depth shelves

Origin: Made in the USA

Finish: Anochrome (ANO)

Packed: 1 per bag with screws, 12 bags per carton

Features: Mounts under closet shelves, greatly increasing capacity, and makes garments more accessible

KV1



SKU Number	Travel
KV1 ANO 10	10 inch
KV1 ANO 12	12 inch
KV1 ANO 16	16 inch
KV1 ANO 20	20 inch

Towel Bar

793

P793 ANO Three-Bar Towel Bar

Size: 18 inch length x 5 inch width

Finish: Anochrome (ANO)

Packed: 10 units per carton

Features: Side mounts to either left or right hand side of the cabinet; Rack mounts with 4 screws





Television Mounts and Swivels

Wall-Mounted Flat Panel TV Mounts

MM VESA Compliant Monitor and TV Arms	112
MM-3300 Flat Panel TV Wall Mount	112
MM-4400 Articulated Flat Panel TV Wall Mount.	112

Heavy-Duty TV Swivels

1388 Heavy-Duty TV Swivel	113
1389 Heavy-Duty TV Swivel	113

Wall-Mounted Flat Panel TV Mounts

VESA Compliant Mounting Arms

MM-100

Finish: Aluminum (ALUM)
 Size: VESA 75/100 compliant TV size rating
 Weight: 40-pounds max.
 Packed: 1 per carton; 12 per master pack
 Features: Built-in level; cable management system; extends 2-3/4 inch from wall

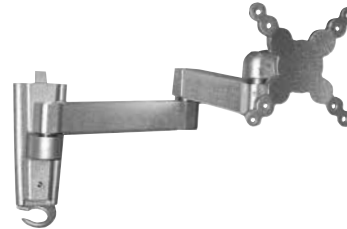
MM-100



MM-200

Finish: Aluminum (ALUM)
 Size: VESA 75/100 compliant TV size rating
 Weight: 40-pounds max.
 Packed: 1 per carton; 12 per master pack
 Features: Tilt/swivel; built-in level; cable management system; extends from 2-3/4 inch to 16-1/2 inch from wall

MM-200



MM-300

Finish: Aluminum (ALUM)
 Size: VESA 100/200 compliant TV size rating
 Weight: 40-pounds max.
 Packed: 1 per carton; 10 per master pack
 Features: Built-in level; extends from 2-1/2 inch from wall

MM-300



MM-3300 Flat Panel Mount

MM-3300

Finish: Cold-rolled steel (STL)
 Size: 37–50 inch TV size rating
 Weight: 190-pounds max.
 Packed: 1 per carton; 2 per master pack
 Features: Tilt adjustable; built-in level; safety bar

MM-3300



MM-4400 Articulated Flat Panel Mount

MM-4400

Finish: Cold-rolled steel (STL)
 Size: 37–60 inch TV size rating
 Weight: 132-pounds max.
 Packed: 1 per carton; 1 per master pack
 Features: Articulating wall-mount; built-in level; safety bar; extends from 4-1/2 inch to 15-1/4 inch from wall

MM-4400



Heavy-Duty TV Swivels

1388 Heavy-Duty TV Swivel

1388

1388 BLK

Extension: 7/8 inch extension

Slide: Ball bearing slide assembly

Swivel: Swivels 360°

Load: 225-pound class load rating

Action: Ball bearing movement

Size: 17-5/16 inch width x 2-7/16 inch high

Plate dimensions – 16 inch x 16 inch

Plate diagonal dimensions – 22 inch

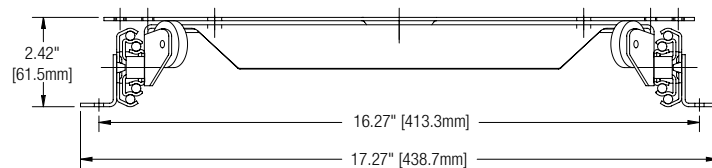
Slide length – 15-1/2 inch

Slide travel – 14 inch

Finish: Black (BLK)

Packed: 1 unit per carton with mounting hardware

Profile:



1389 Heavy-Duty TV Swivel

1389

1389 BLK

Extension: 7/8 inch extension

Slide: Ball bearing slide assembly

Swivel: Swivels 180°

Load: 225-pound class load rating

Action: Ball bearing movement

Size: 17-5/16 inch width x 2-7/16 inch high

Plate dimensions – 16 inch x 25-1/2 inch

Plate diagonal dimensions – 30-3/8 inch

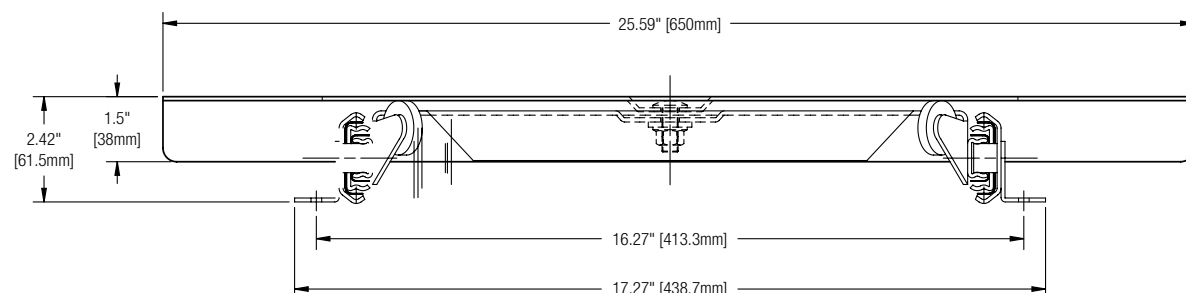
Slide length – 15-1/2 inch

Slide travel – 14 inch

Finish: Black (BLK)

Packed: 1 unit per carton with mounting hardware

Profile:



Index

Product	Page	Product	Page	Product	Page	Product	Page	Product	Page	Product	Page
0020.	104	191.	74	339.	83	760.	102	1196.	107	8092.	59
70.	67	192.	74	340.	83	764.	102	1197.	107	8100.	50
71.	67	200BR	88	341.	94	766.	102	1198.	108	8150.	51
79.	71,73	200C	87	345.	82	770.	101	1198.	109	8200.	52
80.	68	200CH	88	346.	82	806.	91	1199.	108	8250.	53
82.	72	200M	87	347.	83	813.	91	1260.	10	82DP	72
83.	74	200OP	87	348.	83	819X.	93	1265.	10	8300.	15
85.	76	200S.	87	400A	96	822.	93	1275.	11	8350.	16
87.	78,79,80	2038.	109	402.	96	836.	91	1284.	12	8355.	16
88.	86	204.	84	413.	96	880.	103	1300.	13	8357.	16
101.	71	206.	84	420.	95	881.	103	1305.	13	8400.	22
102.	71	208.	85	422.	95	888.	86	1315.	13	8400RV.	26
103.	71	210.	79	423.	95	901.	91	1375.	13	8405.	23
103-1/2L	71	211.	79	424.	95	902.	91	1980.	89	8414.	25
103-1/2R	71	212.	79	427.	96	903.	91	1987.	78	8417.	26
104.	71	213C	79	429.	96	905.	91	1987.	80	8419.	26
104-1/2	71	215.	86	430.	96	915.	91	1990.	89	8430.	27
106.	76	216.	86	455.	98	918.	91	2401.	97	8450FM	28
107.	76	217.	86	467.	98	953.	98-99	2406.	97	8455FM	28
113.	74,76	221.	85	469.	98	962KA	94	2407.	97	8500.	38
119.	71,74,76,79	229.	65	472.	94	963KA	94	2412.	97	8500T.	47
129.	71	233.	66	475.	93	965.	94	2416.	97	8505.	38
129.	79	237.	66	476.	93	984.	94	2418.	97	8505T.	47
134.	74	238.	66	510.	95	986.	93	2420.	97	8520.	39
135.	74	239.	65	513.	95	989.	94	29201.	103	8520T.	47
136.	71	242.	66	516.	95	993.	99	4400.	17	8525.	39
137.	71	243.	65	517.	95	995.	99	4430.	18	8525T.	47
153.	71	244.	65	521.	94	997.	99	4450.	19	8800.	40
154.	71	255.	64	537.	92	999.	99	4461D	49	8805.	41
1547.	94	256.	65	580.	96	1085.	100	6092.	92	8900.	42
1548.	94	266.	92	582.	96	1087.	100	6400.	45	8908.	43
159LL.	74	268.	92	592.	96	1088.	91	6500.	36	8909.	43
159LL.	76	277.	92	594.	96	1093.	100	6505.	37	8910.	43
160LL.	70	278.	92	607.	96	1095.	100	6875.	92	KV1.	110
161LL.	75	288.	92	620.	96	1096.	100	7980.	71	KV2.	103
170.	67	306.	92	627.	95	1097.	100	7982.	73	MUV	30
170E.	67	309.	92	632.	102	1098.	100	8000.	46	MUV HD	32
179.	70	313.	92	660.	101	1099.	100	801X.	91	MUV Metric	34
180.	69	318.	92	701.	93	1129.	8	803X.	91	MUV34	31
1805.	14	320.	94	704.	93	1132.	109	8042.	54	MUV34 HD	33
181.	70	323.	94	730.	102	1175.	9	8043.	54	P1092.	100
182.	73	324.	94	731.	102	1186.	105	8044.	54	P2413.	97
182BE.	72	325.	83	732.	102	1187.	105	8045.	54	P2421.	97
182DP	72	326.	83	734.	102	1188.	105	8050.	55	P793.	110
183.	75	330.	83	735.	102	1190.	106	8070.	57	P992.	99
185.	77	331.	83	742.	102	1191.	106	8071.	57	PKV3.	109
186LL.	79	332.	83	750.	101	1192.	106	8072.	57		
186LL.	81	333.	83	753.	110	1193.	107	8080.	58		
187LL.	79	335.	82	757.	102	1194.	106	8082.	58		
187LL.	81	338.	82	757.	65	1195.	107	8091.	59		

Knappe and Vogt Limited Warranty

Limited Lifetime Warranty for Commercial Business Products 15 Year Limited Warranty for Ergonomics Products

This warranty is given to the initial purchaser of new commercial and ergonomic products purchased from Knappe & Vogt Manufacturing Company and its subsidiaries. The warranty covers defects in materials and workmanship. The warranty does not apply to defects resulting from misuse, damage or abuse, normal wear and tear, accident, modification, improper installation or maintenance, third party materials or damage during shipping. The warranty is not transferable and does not cover any subsequent purchasers of the products.

Definitions of the specific warranty time periods by product can be obtained from Customer Service at 800-253-1561. The warranty time period begins on the date of purchase for all products. Applicable warranty time periods are based on one 8-hour shift per day usage, and warranty time periods are adjusted and shortened proportionally for any multiple shift or excess usage.

During the warranty period, Knappe & Vogt, will, at its option, repair or replace any defective product with a comparable product or component. This limited warranty is for repair or replacement of defective products only and does not cover any other costs such as removal, installation, or other related expenses.

For warranty service, please contact Knappe & Vogt Manufacturing Company, 2700 Oak Industrial Drive, Grand Rapids, MI 49505, Attention: Customer Service. Information regarding the claimed defect and date of purchase of the product must be provided. Any defective product must be returned postage or freight prepaid to Knappe & Vogt.

THIS LIMITED WARRANTY CONSTITUTES THE ONLY WARRANTY FOR THE PRODUCTS AND ALL OTHER WARRANTIES OR REPRESENTATIONS, EXPRESS OR IMPLIED, BY OPERATION OF LAW OR OTHERWISE, INCLUDING BUT NOT LIMITED TO ANY IMPLIED WARRANTY OF MERCHANTABILITY OR FITNESS FOR A PARTICULAR PURPOSE, ARE EXPRESSLY DISCLAIMED (some states do not allow limitations on how long an implied warranty lasts).

THIS LIMITED WARRANTY CONSTITUTES THE SOLE REMEDY AVAILABLE WITH REGARD TO ANY DEFECTIVE PRODUCTS. KNAPE & VOGT SHALL NOT BE LIABLE FOR ANY INCIDENTAL, INDIRECT, CONSEQUENTIAL OR SPECIAL DAMAGES, INCLUDING WITHOUT LIMITATION, LOSS OF TIME, INCONVENIENCE, OR LOST REVENUES OR PROFITS (some states do not allow the exclusion or limitation of incidental or consequential damages).

Copyright ©2015 Knappe & Vogt Manufacturing Company, all rights reserved.

Standard KV Commercial Warranty

Return Policy

Return Policy for special order or nonstock items:

We're sorry, we cannot accept returns on nonstock products or special order products unless there is a Knapé & Vogt error — which we will be happy to correct. To return product(s), please follow these procedures:

Please contact Knapé & Vogt Customer Service at

1-800-253-1561. A Customer Service Representative will assist you with getting a Return Goods Authorization (RGA) number. The original P.O. is required to receive a RGA number. Please return product within 30 days of issuance of the RGA number.

Restocking Fees:

- All resalable product returned in original resalable packaging will be assessed a 20% fee for restocking and handling.
- Minimum fee is \$25.
- All resalable products returned not in resalable original packaging will be assessed a 20% fee for repackaging in addition to the 20% restocking and handling fee.
- Above referenced fees will be waived on returns resulting from a Knapé & Vogt error.

Shipping:

You are responsible for all return shipping charges to return the product unless we made an error in shipping your order, i.e., the product we shipped is not the one you ordered, or is defective.

In the US, please ship to: Knapé & Vogt

Return Goods Department, 2700 Oak Industrial Dr., N.E., Grand Rapids, MI 49505

In Canada, please ship to:

Knapé and Vogt/ Vanguard, Attn: Return Goods Department, 265 Export Blvd, Mississauga, ON L5S 1Y4

- Ensure the product(s) are properly packaged to prevent shipping damage.
- Include RGA number with return.
- Ensure all products returned match quantities and products listed on the assigned RGA.

Credit:

- A credit memo will be issued upon inspection and approval of the returned product.
- Upon receipt and inspection Knapé & Vogt will determine credit amount and notify you of any discrepancies.
- DO NOT make any financial adjustments to your account prior to Knapé and Vogt issuing a credit memo for returned goods.
- Please allow a minimum of 14 days for us to receive and process your return.
- We will credit or refund the value of the product total and any taxes you were charged less applicable fees. (excluding delivery charges).
- Refunds will be given in the same form of payment. Adjustments to credit cards should appear within two billing cycles.

Replacement Orders:

- Any replacement orders will be charged to your account.
- A credit memo will be issued for returned products that have been approved.

RGA Status Information:

- Visit www.customercareconnection.com.
- Enter your account information.
- If you do not already have your account set up for this free service, please register at www.customercareconnection.com.
- Your satisfaction is our priority. We are happy to accept returns or exchanges for any resalable or defective products within 60 days of the shipping date.



KNAPE & VOGT®

2700 Oak Industrial Dr. NE
Grand Rapids, MI 49505-6026 USA
Tel: 1.800.253.1561 | 616.459.3311
Fax: 877.636.3290
www.kv.com