



Formerly A. O. Smith Electrical Products Company



# Stock Motor Catalog

1100

A Regal Brand

**REGAL**



*Formerly A. O. Smith Electrical Products Company*

**Our product brand name has changed.**

**A. O. Smith Distribution Motors  
will now carry the Century® brand name.**

***We are still....***

- **People you know and Trust**
- **Service You Expect**
- **Industry Excellence**
- **US Owned and Operated**



A. O. Smith Electrical Products Company is proud to now be a part of Regal.

Century is still committed to the people you know, the service you expect and industry excellence. We are a global company that is U.S. owned and operated and now offer even greater product breadth & technology.

For more information on Century HVACR Distribution Motors,  
visit our website at [www.hvac-motors.com](http://www.hvac-motors.com)



1325 Heil Quaker Blvd. • LaVergne, TN 37086 • 800-672-6495 • Fax: 800-468-2062

A Regal Brand

**REGAL**



Regal Beloit EPC, Inc.

LaVergne, Tennessee 37086

www.regalbeloit.com



Dear Valued Customer:

We are pleased to announce that A. O. Smith Electrical Products Company (EPC) is now branded Century®! As a result of Regal Beloit Corporation's ("Regal") acquisition of A. O. Smith EPC in August 2011, we now are transitioning EPC's aftermarket motors to the Century brand. Although we now are Regal, rest assured, we remain as committed as ever to the people you know, the service you expect, and industry excellence. We are a global company that is U. S. owned and operated and now offer greater product breadth and technology than ever before. We have redefined A. O. Smith's established Century brand to include a comprehensive range of aftermarket HVACR motors for contractors.

Why rebrand to Century? The Century Electric Company was established in 1903 in St. Louis, Missouri, with its first patented single phase, repulsion start, induction motor. From there, the Century name has been synonymous with quality and a successful history. As we transition from A. O. Smith to Century, we want to assure our customers of the on-going consistency of our products and services.

As stated, Century is an established and respected brand, indicating reliability, stability and innovation. Through our transition from the A. O. Smith to the Century brand, the products remain unchanged. Our global reach and range of products will strengthen our position as a global leader. Our customers will now have the benefit of greater resources, broader product categories and the combination of two cultures dedicated to innovation and industry leadership.

Sincerely,

James B. Mosman  
Business Leader, Regal Distribution  
1325 Heil Quaker Blvd.  
LaVergne, TN 37086

# Table of Contents

## 3-3/8" DIAMETER HVAC STOCK MOTORS

Draft Inducer Motors (with switch) .....	28-29
Draft Inducer Motors (without switch) .....	29
GE 11 Frame Replacements .....	35
Open Fan Cooled .....	34-34
Open Ventilated Fan and Blower Duty .....	30-31
Room Air Conditioning and Double Blowers .....	33
Totally Enclosed Fan and Blower Duty .....	32
Totally Enclosed Fan Cooled .....	36
3-in-1™ PSC Motor .....	37

## 4-5/16" DIAMETER HVAC STOCK MOTORS

Fan Coil Units .....	39
Heating Ventilating and Welding Units .....	38

## 5" DIAMETER HVAC STOCK MOTORS

ECM Fan Coil Replacement .....	44
Fan Coils - Dual Wheel Blowers (less base) .....	41-43
Fan Coils - Dual Wheel Blowers (with base) .....	45-47
Furnace Blower - Attic Ventilators .....	48-54
- Air Handlers - Fan Coils	
GE 21/29 Frame Replacements .....	40
Unit Heater .....	55
MultiFit® Condenser Fan .....	56

## 5-5/8" DIAMETER HVAC STOCK MOTORS

Deluxe Commercial Condenser Fan .....	83
Direct Drive Fan and Blower Motors .....	67-68, 72
(1 and 2 speed, PSC)	
Direct Drive Fan and Blower Motors .....	69-72, 74
(3 speed, PSC)	
Fleximount - Furnace - Air Handler - Blowers (PSC) .....	66
Four in 1 Multi-horsepower and HeatMaster® .....	75
Furnace and Air Conditioner, Shaded Pole .....	57-58
MasterFit® Pro Multiple Horse Power Replacement .....	73-74
4-in-1 Condenser Fan Motor .....	75
Outdoor Sleeve and Ball Bearing Open Lead End .....	76-78
- Condensers - Heat Pumps - Refrigeration	
Outdoor Totally Enclosed Sleeve and Ball Bearing Motors .....	79-82
- Condensers - Heat Pumps - Refrigeration	
Room Air Conditioner Motors - Double Shaft (PSC) .....	62-66
Shaded Pole Replacement Motors .....	58
Unit Heater .....	59-61
HeatMaster® High Ambient Condensers .....	75, 79-83

## 6-1/2" DIAMETER HVAC STOCK MOTORS

Base Mounted Outdoor Condenser Fan Motors .....	86
(single and three-phase)	
Vertical Condenser Fan Motors (single-phase) .....	84
Vertical Condenser Fan Motors (three-phase) .....	85

## C FRAME MOTORS

Replacement Motors .....	9-11
Fireplace Fans .....	11

## CENTRIFUGAL BLOWERS

Blower Reference Dimensions .....	23
Blower Reference Diagrams .....	24
General Purpose Centrifugal Blower .....	19-20
CFM Specifications for Blowers .....	25-26
Crossflow/Tangential Blower .....	27
Crossflow Blower .....	27
OEM Direct Replacement Blowers .....	21-22

## DC MOTORS

Industrial DC Elevator Door Motors .....	227
Industrial DC Carpet Cleaning Motors .....	227

Industrial DC T-PAK Motor Tachometer Packages .....	230
Industrial Direct Current Motors .....	229-230
Industrial Permanent Magnet Direct Current Motors .....	229
Industrial PMDC Washdown Motors .....	226
V-PAK PMDC Adjustable Speed Packages .....	228

## FARM RATED AND AGRI-BUSINESS MOTORS

Aeration Farm Motors .....	190
Auger Drive Motors .....	191
Centrifugal Fan Farm Motors .....	189
Cow Cooler Motors .....	185
Crop Dryer Motors .....	190
Farm Building Belted Fan Motors .....	185
Farm Building Direct Drive Fan Motors .....	184
Farm Building Pedestal Motors .....	89
Farm Duty Motors .....	149, 187
Farm Rated Motors .....	188
Grain Stirring Farm Motors .....	191
High Torque Farm Equipment Motors .....	187
Instant Reverse Farm Motors .....	186
Milk Pump Farm Motors .....	192
Poultry Duty Motors .....	186
Zero Milk Tank Farm Motors .....	192

## GENERAL PURPOSE MOTORS, CAPACITOR START

C-Face, Dripproof, No Base, Industrial .....	145, 147
C-Face, Dripproof, Rigid Base, Industrial .....	145-146
C-Face, TEFC, No Base .....	147
C-Face, TEFC, Rigid Base .....	148
Enclosed, Rigid Base .....	149
Open, Resilient Base .....	141-142
Open, Rigid Base .....	143-144
Resilient Base, 2 Speed .....	138

## GENERAL PURPOSE MOTORS, SPLIT PHASE

C-Face Ventilator Motors .....	140
Resilient Base, Open, TEAO, TEFC .....	133-135
Resilient Base, 2 Speed .....	138
Rigid Base, Open .....	137
Quick-Fit™ Motors .....	136

## GENERAL PURPOSE MOTORS, THREE PHASE

Multi-Speed .....	178-180
No Base, C-Face, TEFC .....	153-154
No Base, C-Face, Dripproof .....	157-158
Removable Base, C-Face, Dripproof .....	158
Removable Base, C-Face, TEFC .....	155
Resilient Base, Open .....	150-151
Resilient Base, 2-Speed .....	139
Resilient Base, Totally Enclosed .....	152
Rigid Base, Dripproof .....	159-167
Rigid Base, Dripproof, C-Face .....	157-158
Rigid Base, TEFC, C-Face .....	155-156
Rigid Base, TEFC .....	168-175
Severe Duty, High Efficiency E-Plus 3 .....	176-177

## OEM DIRECT REPLACEMENT MOTORS

Air Moving .....	94-132
Pump .....	210
Swim Pool .....	208-211
Unit Bearing .....	16-18
C-Frame .....	9-11

## PUMP MOTORS

C-Face, Commercial	216
Carbonator Pump	222
Close-Coupled, Open Dripproof, Capacitor Start	221
Close-Coupled, Open Dripproof, Three Phase	217-218
Close-Coupled, TEFC, Three Phase	219-220
Hot Water Circulator Pump Motors	92-93
Jet Pump, C-Face, Open Dripproof	214
Jet Pump, Square Flange, Open Dripproof	215
Jet Pump, Special Direct Replacements	210
Sump Pump	222

## SPECIAL PURPOSE MOTORS

Air Compressor Motors	182
Convection and Pizza Oven Motors	90
Elevator Motors - Submersible	224
Elevator Motors - Belt Drive	223
Evaporative Cooler Motors	87
High Efficiency Belted or Direct Drive Motors	88
High Pressure Washer Motors	181
Hot Water Circulator Pump Motors	92-93
Industrial Inverter-duty motors	225
Nesbitt Replacement Motors	90
Oil Burner Motors	91
Pedestal Fan Motors	89
Quad Plus Motors	183
Transformer Cooling Fan Motors	88

## SWIM POOL PUMP MOTORS

Above Ground Flex 48 Pool and Spa Motors	205
Centurion - C-Face and Spa Pump Motors	198-200
Centurion - Square Flange Pool and Spa Motors	203-204
ECM Variable Speed Pool Motors	194
Guardian Single-Speed SVRS Motors	195
Hayward Northstar Replacement Motors	211
Hayward Tri-star Replacement Motors	211
Hoffinger (Doughboy/Lomart) Replacement Motors	208
Pentair/Pac Fab Direct Replacement Motors	209
Pool Cleaner Motors	208
Purex Direct Replacement Motors	209
Single Phase Jet Pump Motors	214-215
Special Direct Replacement Pump Motors	210
Sta-Rite Direct Replacement Spa Motors	207
Three Phase Pool Pump Motors	212
Three Phase (Squirrel Cage) Pool Pump Motors	213
Three Phase Square Flange Pool and Spa Motors	212
Two Compartment - C-Face Pool Motors	196-197
Two Compartment - Square Flange Pool Motors	201-202
2Green™ Two-Speed Pool Motors with Integrated Timer	193
Waterway Replacement Spa Motors	206

## UNIT BEARING FAN MOTORS

Special Unit Bearing Motors	16-18
- OEM Direct Replacements	
Two Through 75 Watts	12-15
ECM Motor	13

## REFERENCES & PARTS AND ACCESSORIES

Bases	238, 243
Capacitor Brackets and Covers	237-239
Capacitors Start/Run	234
Conduit Accessories	239
Conduit Boxes	239, 242
DC Motor Adjustable Speed Control Dimensions	233
Drip Cover Kits	243

Fans	235
Flange Conversion Kits	241-242
Length Adapters	240-241
Metric Motor Dimensions	249
Mounting Accessories and Kits	236-241
Rain Shields	236
Resilient Base Mounting Accessories	238-241
Resilient Rings	238-241
Shaft Adapter	235, 237, 243
Speed Control Accessories	232
Speed Controls	231-232
Thermal Protection Kit	243

<b>Footnote Cross Reference</b>	6-7
---------------------------------	-----

<b>Index</b>	256-283
--------------	---------

<b>Motor Selection Help</b>	285
-----------------------------	-----

<b>Nema Mounting Dimensions</b>	247-249
---------------------------------	---------

<b>Rush Center - Motor Modifications</b>	244-246
--	---------

<b>Square Flange Mounting Dimensions</b>	247
--	-----

<b>Close Coupled Pump Mounting Dimensions</b>	250
---	-----

<b>DC Motor Dimensions</b>	251-255
----------------------------	---------

<b>Terms and Conditions</b>	284
-----------------------------	-----

<b>Warranty Policy</b>	286
------------------------	-----



Motors specially designed, tested and warranted to be **Corona-Free** for compatible inverter duty are marked in this catalog with a .



E-Plus®  
Speed Engineered®  
Inverter Duty Motor

## Why Specify Speed Engineered® Inverter Duty Motors?

Variable frequency drives (VFDs), while offering advantages of greater control and energy savings to commercial and industrial motor users, can also cause premature winding failure in motors not designed specifically for inverter duty. Now Century engineers have developed a solid solution...Speed Engineered® Inverter Duty Motor.

Speed Engineered Inverter Duty Motors are specially designed and constructed to eliminate the destructive forces that can occur when motors are applied with drives. The Speed Engineered "Corona-Free" solution eliminates the causes of premature winding failure.

All Speed Engineered motors meet or exceed NEMA MG1-31 performance standards, in addition to carrying Century's Speed Engineered warranty for inverter duty applications.

## The Causes of Premature Motor Failure

Research we conducted identified why motors can fail when used with variable frequency drives under certain operating conditions. The results were published in a white paper, *The Simple Truth About Motor/Drive Compatibility*, which is available from Century. Our findings revealed that "corona" as well as other potential hazards, can materialize and eventually damage motors applied with a drive.

## What is Corona?

VFDs create high voltage pulses at the motor, especially when the motor and drive are separated by long power leads. Those high voltage pulses (or voltage spikes) develop voltage potential between adjacent conductors in the motor winding.

When the voltage generated in the air between the conductors is high enough, the air breaks down.

This breakdown is known as "corona." The discharge that is created forms ozone, which causes the motor's magnet wire insulation to disintegrate, causing premature failure.

This phenomenon has been around for a long time and affects a limited number of earlier vintage motor/drive applications. But with drives becoming more sophisticated, inverter switching rates increasing and the percentage of motors operating with drives growing rapidly, incidents of downtime are also growing, and corona is now getting a lot of attention in the motor/drive industry.

There are several techniques employed in the market to increase motor tolerance to corona. Although simpler and less costly, these practices are not always effective since corona is not cured...only bandaged. The only way to be sure the destructive efforts of corona will not compromise your motor/drive application is to eliminate corona altogether. This is easily accomplished by specifying Century Speed Engineered motors on your next project.

## What Makes Corona-Free Speed Engineered® Motors Best For Motor-Drive Compatibility?

There are several solutions to the problem of motor insulation stress caused by inverters. Rather than just squelching the voltage overshoot which leads to corona, as mentioned earlier, the preferred method and the approach used by Century is to design the motor to be corona free at expected peak voltage. We begin with a design premise of understanding the magnet wire corona inception voltage (CIV) and distribution of voltage in the motor.

From that, our design approach becomes simply to:

**Choose a winding layout that minimizes the proximity voltage differences and reliably positions insulation materials to improve dielectrics above the threshold of corona...**

You may recognize this as the design approach for any motor, regardless if it is line operated or driven by an inverter. The difference is that with an inverter you must anticipate a much higher peak voltage and the rapid rise times of these potentially harmful pulses.



**E-Plus® 3  
Speed Engineered®  
Inverter Duty Motor**



**Speed Plus® Motor**

At Century®, we build a motor able to withstand voltage peaks 3.5 times what is stated on the motor nameplate. Therefore we design additional insulation (tape, sleeving, phase paper, etc.) and strategically locate this added insulation in a manner that will yield the necessary protection against the high voltage pulses that may occur between magnet wire strands. This approach yields the desired design integrity.

With the design for insulation and winding layout determined, the success of each motor now depends on placing the insulation properly during production. To provide final assurance for our customers, Century uses a proprietary CIV tester that employs a unique procedure to detect and measure corona for each and every Speed Engineered motor we produce...before that motor leaves our factory!

## **Because Motor/Drive Applications Are so Varied, Century Offers Three Distinct Families of Speed Engineered® Motors:**

**E-Plus®** motors, the industry's first high efficiency, energy-saving motor, meets 1997 EPACT standards. Now, E-Plus Motors also carry the protection of the Speed Engineered design and is warranted to offer the best performance available to inverter duty applications.

**E-Plus® 3** motors offer even heartier energy-efficient performance and savings, exceeding most utility conservation initiatives, in addition to meeting the 1997 EPACT standards. All E-Plus 3 motors are Speed Engineered rated for compatible inverter duty applications.

Both E-Plus® and E-Plus® 3 motors are available in a variety of application configurations including: variable or constant torque loads, PWM, sensorless or sensed vector and with limited or broad speed ranges.

Speed Engineered motors are rated for 4:1 speed ratio at constant torque or 6:1 at variable torque.

In addition to being corona free, Century **Speed Plus®** motors offer many additional benefits such as:

### **Wide Speed Ranges to fit your application:**

- 20:1 at constant torque, standard
- 1000:1 at constant torque with the addition of a blower kit

### **Standard Features provide operational flexibility and dependability:**

- Totally-enclosed severe duty
- All cast-iron construction
- VPI corona-free Class F insulation system
- F-1 mounted conduit box
- Dual foot holes
- Normally closed thermostats
- Encoder provisions

### **Highly Adaptable to address more specific process specifications:**

- Provisions for mounting a wide range of encoders:
  - Dynapar HS35
  - Avtron M285
  - Lakeshore SL56
  - BEI HS 35
- 120-volt A/C blower kits
- Drive end C-Face
- Drive end D-Flange
- Field convertible to F-2 conduit box location
- Brake kits

# Index of Footnotes

No.	Footnote Description	No.	Footnote Description	No.	Footnote Description
1	Item to be discontinued when stock is depleted	71	No hubs on either end	135	Shaft has no flat
2	Ball Bearing	72	No brake kit available	136	Shaft dim. = 9 X 1/2 X 8 1/2
3	Special OEM replacement motor	73	No base	137	Shaft dim. = 8-1/2 X 1/2 X 9 1/8
4	Supplied with lead and plug assembly	74	Nema design A available until current stock is depleted, then will become Nema design B	138	Shaft dim. = 9 X 1/2 X 7-1/2
5	\$ Energy efficient two value capacitor start, capacitor run motor	75	Mounting rings not included	139	Shaft dim. = 10-3/4 X 1/2 X 10-15/16
6	60/50 HZ	76	Motors shipped with thru bolts out shaft end - See photos above. May be reversed for vertical applications	140	Shaft diameter is 1/2, N=2
7	Resilient mounting rings included	77	Molex Terminal Plug	141	Shaft diameter is 1/2, N=1.94 with .04 deep flat
8	Nema design A	78	Moderate start torque	142	Service factor amps
9	Reversing plug	79	Leadless design	143	Service factor 1.00 under inverter power (sine wave power only 60 HZ) as shown above
10	Reversible. Quick connect terminals	80	Large capacitor/terminal box construction	144	Service factor 1.0 used on non-sinusoidal voltage wave forms
11	C Flange kit available	81	Includes base	145	Run capacitor mounted on motor shell
12	303 Stainless steel shaft	82	Horizontal mount only	146	Round frame
13	Six lead motor suitable for part winding start	83	Extended thru bolts - 5/8	147	Resilient mounting rings included for refrigeration applications
14	Totally enclosed non-ventilated	84	Energy efficient with split phase start, capacitor run with mounted capacitor	148	Replacement for Carrier HD52AK652
15	56HZ = 7/8 keyed X 2 5/16 shaft	85	Energy efficient \$ - capacitor start/run	149	Reconnect for separate speeds
16	\$ E-Plus energy efficient motor complying with EPact	86	Cord and plug with pull chain	150	Rated 50/60 HZ
17	Suitable for 208 volts @ 1.0 service factor	87	Class F insulation	151	Quick connect design bracket, auto overload protector
18	Includes 1/4 - 5/16 bushing	88	C & D flange kit adaptable, ODP, EMI Series 850000	152	Pump series: L
19	C & D flange kit available	89	60" leads	153	Pump series: C
20	\$ Energy efficient capacitor start, capacitor run Conservationist motor	90	50 degree C ambient	154	Previous stock numbers with X suffix are the same as current models
21	Terminal in bracket construction	91	5/8 extended thru bolts, 1 7/8 shaft length and 1/2 shaft dia.	155	Polaris Vac-sweep (shaft adapter not required)
22	3 thru bolts, 4.42 dia. Bolt circle	92	48/56 FR = 1/2 X 1 1/2 shaft with 5/8 shaft adapter - 48/56 slotted 3 height base	156	Open shaft end bracket
23	Suitable for 200/400 volt and 50 HZ	93	36" cord	157	Open construction
24	Mounting accessories packaged with motor	94	30" leads (minimum)	158	Open motor construction, overload protector mounted at 12 O'clock
25	Has hex mounting hub on both ends for cradle base mounting	95	3/8 flattened shaft	159	Open dripproof
26	Extended thru bolts, shaft end only	96	2 thru bolts, 4.42 dia. Bolt circle	160	Non-reversible, connected for CW facing end opposite shaft
27	Extended thru bolts, both ends	97	182T and 184T mounting holes, 4.5 shaft height	161	No side bosses
28	Blower kit adaptable, TEFC	98	1/2 hub on shaft end and slinger	162	No resilient rings. 12 leads with Molex terminal
29	60 degree C ambient	99	1/2 extended thru bolts, shaft end	163	No keyway, double flat
30	56,140 frame combination base (12 mounting holes)	100	1/2 diameter shaft	164	No hub on lead end end frame
31	40 degree C ambient	101	1.5 service factor	165	No extended thru bolts
32	24" leads (minimum)	102	1.15 service factor	166	No conduit box
33	Roller bearings	103	When using U. E. base, add (2) 1221A adapter rings to EACH mounting ring	167	New Quad-Plus model - removable base (RMOV), vertical shaft up or down and steel frame construction
34	Rigid base	104	Vertical mount	168	Nema 42/48 C-face, 1/2 diameter keyed shaft, 1 5/16 long
35	Quick connect design bracket	105	Use with 1805A or 2099A bracket	169	Motors produced before June, 2003 are E+
36	Lug mount	106	Use 4MFD/370V capacitor	170	Motors may be rewired to run CW
37	Lead reversible, no plug	107	Up-rated - low service factor	171	Motor is thermally protected
38	Includes conduit box, mounting screws, gasket, shipped detached	108	Two-speed motor	172	Motor is center mounted
39	Gasketed conduit box	109	Two side bosses	173	Motor has 4 studs
40	Four mounting holes in shell	110	Two mounting holes in each bracket for a 9 and for a 10.18 bolt circle	174	Motor fits torque mount
41	Extended thru bolts, lead end only	111	Totally enclosed version of OCC1026	175	Molex lead connection plug, 12 long leads
42	Eight mounting holes in shell	112	Totally enclosed fan cooled	176	Moisture proof stator
43	Class A insulation	113	Totally enclosed	177	Meets the requirements of the energy policy act of 1992
44	CCWLE rotation only	114	Threaded shaft with Acme threads	178	Low speed 1/2 HP
45	Capacitor start	115	This motor is rated for operation on 60 or 50 HZ power, full load amps listed at 60 HZ	179	Low amps
46	Adapt-a-Lug motors (See lugs)	116	Temperature sensitive thermostat with two leads for connection to external control	180	Low amp replacement for a variety of OEM Special and SPL 5 horsepower requirements
47	3/8 diameter shaft	117	TEAO gasketed conduit box	181	Loose lead construction
48	1.0 Service factor at 50 HZ	118	TEAO	182	Locked bearing on drive end
49	1.0 Service factor	119	Suitable replacement for Aaon	183	Lifting provisions
50	Use with 5MFD/370V @ 230 volt, 7.5MFD/370 volt @ 208 volt	120	Suitable replacement for 1/12 HP and 1/10 HP	184	Lead exit is on shaft end
51	Use downsize 250 Frame C & D flange kits (D-flange kit part # 800289-01, C-flange kit part # 800288-01	121	Stronger 3/4 HP required for some applications	186	Item to be discontinued when stock is depleted. Discontinued items available form Graham Transmission, Inc.
52	Two-speed connection: white-common, red-low, black-high	122	Stock number 91 has a stainless steel shaft and 20 leads for use on ice machines	187	Includes mounting bracket and shaft bushing
53	Twelve lead, wye delta	123	Stock no. 684 BA dimension was 4, motors built after 4/98 will have a BA dim. Of 3 3/4	188	Includes split bushing and key for 5/8 shafts. 3 thru bolts on a 4.42 dia. Bolt circle
54	Triple build wire for greater high voltage insulation	124	Stainless steel shaft	189	Includes split bushing and key for 5/8 shafts
55	Terminal board	125	Special pivot style rigid base	190	Includes pilot light detector
56	TEAO gasketed conduit box - 3/4 extended thru bolts	126	Special mounting bracket	191	Includes mounting bracket
57	Tapped holes for Coleman mount	127	Special Hayward replacement for SP-1515-Z24-EBK, EBKC, C48MZA16A1	192	Includes four (4) 10-32 mounting holes
58	Supplied with resilient mounting rings	128	Special Doughboy replacement, less base, 40 degree C ambient, Al. Windings	193	Includes former GE brand equipment
59	Suitable for use with low ambient speed control	129	Special Canadian motor, external relay is required	194	Includes fan blade
60	Stock no. 1218A adapter and rings supplied for base mounting	130	Sleeve bearing	195	Includes 6' cord and switch
61	Start capacitor inside	131	Single flat on shaft	196	Includes 5/8 adapter and key
62	Split Phase	132	Shaft sleeve and key supplied for 5/8 diameter	197	Includes 2 speed plug
63	Speck pump replacement motor	133	Shaft N-W = 2.50 with two flats .04 deep, 2.16 long, 90 degrees apart	198	Impedance protected
64	Spade connector	134	Shaft N-W = 2.50 with 5/8 diameter and keyway	199	Horizontal rigid base
65	Six lead, Wye Delta			200	Has special 3.15 bolt circle
66	Sealed switch design				
67	Rewire for second speed				
68	PSC motor				
69	Pin hole in shaft				
70	Permanent Split Capacitor				



# Index of Footnotes

No.	Footnote Description	No.	Footnote Description	No.	Footnote Description
201	Four studs on a 5.15 diameter bolt circle	258	6 MFD/370V @ 230V, 8MFD/370V @ 280V	326	Cast Iron
202	For motor only, use J375	259	575 volt brake coil	327	Carrier Sensor Assembly (50HJ 401 484) not included
203	For motor only, use J373	260	56Z = 1/2" flatted shaft	328	Square Frame
204	For motor only, use J372	261	56Z = 1/2" flat X 1-1/2" shaft, 3 1/2 shaft height	329	For use with adjustable base
205	For motor only, use J370	262	56Z = 1/2" flat X 1.62" shaft, with 56 FR. Base	330	56Z = 1/2" shaft with flat, 1.62" long
206	MasterFit motor, for additional information see page 73	263	53" leads	331	Cannot be mounted with rings – ring to ring dimension is body length
207	Fleximount arms are not attached to motor - bellyband with arms is packed with motor	264	50/60 HZ 1.4/1.7 Amps	332	No connector plug, leads only
208	Fits most 38GS Series	265	50 leads, 2 1/2 resilient rings	333	Aluminum shell
209	FB1106 & FR1106 also replaces motor used on Kramer Trenton units DD661, DD791 (use FR1106 for vertical applications)	266	50 HZ, 190/380 volt, 925 RPM	334	Reversible
210	FB1076/FR1076 also replaces Kramer Trenton 045-004 and Universal HF3W0R8K, HF3W052N	267	50 HZ - 1.00 service factor, 190/380 volt	335	Energy Efficient, cap start, low speed, PSC high speed
211	FB1056 is the same as FB1056X	268	50 HZ	336	Capacitor start, low speed, PSC high speed
212	FB1056 also replaces Dunham Bush motor MTR-226	269	50 cycle only	337	Connection diagram may be #23, old #125 or new #125 depending on date of manufacture
213	Farm duty - gasketed conduit box and capacitor cover	270	5/8 keyed shaft with flat	338	Taco replacement
214	F2 Assembly	271	5/8 keyed shaft	339	Armstrong replacement
215	Eyelet terminals on the leads	272	5/16 diameter shaft	340	Bell and Gosset replacement
216	Equipped with rotation switch for easy reversibility	273	48Z = 5/8 dia. X 2 shaft, with 3 height	341	1/2" dia. - shaft 2.25" long
217	Equipped with provisions for mounting 4 X 4 conduit box	274	48Z = 1/2 flat X 1.88 shaft, with 48 FR base	342	5/8" dia. - shaft 2.37" long
218	Energy efficient \$ - split phase start/capacitor run	275	48-56 frame mounting - 3 shaft height, sleeve and key adapter to 5/8 shaft	343	5/8" keyed shaft - 3.88" long
219	Dual voltage connection: black-common, white-120 volt, red-240 volt	276	48-56 frame mounting - 3 1/2 shaft height, sleeve and key adapter to 5/8 shaft	344	5/8" keyed shaft - 2.31" long
220	Dripcover kit available (Part # 103017-03)	277	47" leads	345	Rigid base - wall mount
221	Does not have conduit box	278	40" leads	346	65 degree C ambient
222	Does not have aluminum adapter bracket	279	4 thru bolts and 4 dummy studs on a 5.16 diameter bolt circle	347	3 thru bolts, 4.62 dia, bolt circle
223	Direct replacement for Surge milk pumps, Babson motor #27732, requires 30MFD/370VAC capacitor, separately - not supplied	280	4 in 1 multi-horsepower motor, replaces 1/3, 1/4, 1/5, 1/6 HP	348	6-1/2" diameter body
224	Direct replacement for GE WB26X24, WB26X40 and WB26X45	281	36" leads	349	2-1/4" mounting rings
225	Direct replacement for gaffer and saddler and dyna vent	282	3450 RPM for 60 HZ and 2875 RPM for 50 HZ	350	Conduit connector included
226	Direct replacement for Carlin 27490S	283	31" line leads, 5 capacitor leads	351	eMod equipped motor
227	Direct replacement for Beckett 21805U	284	31" leads (minimum)	352	Pentair, almond paint, direct replacement motor
228	CWSE not reversible	285	3/8-16, Left hand threads, CWPE rotation	353	56Z = 5/8" diameter keyed shaft, 2-1/8" long
229	CWLE rotation	286	3.5 shaft height	354	56Z = 7/8" diameter keyed shaft, 2-1/4" long
230	CSA approvable not applicable	287	3 shaft height	355	Base 805C290H04 and Clamps 165B674A01 available
231	Includes 8/32 mounting studs	288	26" leads (minimum)	356	3 rear mounting holes
232	Closed main frame, 2 1/2 rings, 14 leads	289	12-1/4" leads	357	4 thru bolts, 4.42" dia. bolt circle
233	Class B insulation	290	230V and 208V connection, same torque	358	4 thru bolts, on 4.62 dia. bolt circle
234	Century nameplated product	291	208 Volt @ 1.0 Service factor	359	4 studs with spacer and nut on a 3.87 diameter bolt circle
235	Centurion II motors are switchless. Designed in a 48 frame shell diameter that is .80 inches smaller than the 56 frame Centurion and Centurion SE designs	292	20" leads	360	4 thru bolts on a 5.15 dia. bolt circle
236	CCW rotation facing opposite shaft end	293	9" leads	361	9 leads
237	Carrier replacement for HD60FK651, special BA dim. = 4.12	294	2.6" shaft height	362	12 lead – capability for Y Start-Delta Run
238	Carrier replacement for HD60FK652, special BA dim. = 4.12	295	2 shaft length and 1/2" shaft diameter, sleeve and key adapter to 5/8"	363	Double shielded bearings with no regreasing provisions
239	Capacitor attached	296	2-Speed shipped less hi-lo switch for remote control	364	Open bearings with regreasing provisions
241	Capacitor and rain shield included	297	184T base, 4.5 shaft height	365	3 leads
242	BX connector	298	2-1/4 X 7/8 keyed shaft	366	6 leads
243	Base & clamp included, 9.44 ring to ring dimension	299	15" leads	367	12 leads
244	Ball/sleeve construction	301	115 volt tap off main winding to power gear drive unit	368	Inverter Duty
245	Ball Bearing, for motor only, use J320	302	11" leads (minimum)	369	Automatic Protector
246	B668 fits pump #LA01N manufactured March, 1997 to present	303	11" leads	370	48" leads
247	B667 fits pump #LA01 manufactured March, 1997 and prior	304	10.19 bolt circle, .28 diameter mounting holes	371	Removable 56H rigid base
248	B14 mount	305	10-1/2" leads	372	VCM™ Feature (Voltage Change Module)
249	Arneson Pool Sweep	306	1/4-20 UNC-2B tapped holes on a 4.67 diameter bolt circle	373	Motors specially designed, tested and warranted to be Corona-Free for compatible inverter duty
250	Also 1/10 Hp at 1050 RPM	307	1/2" shaft, sleeve and key adapter to 5/8 shaft	374	55 degree ambient
251	All 1 HP and 1 1/2 HP motor supplied with conversion kit allowing motor to be used in most 56 frame applications	308	1/2" hub on shaft end frame with slinger. Grommet on lead exits.	375	5" leads
252	8.5 foot conductor cord and plug with strain relief attached	309	1/2" extended thru bolts	376	Open fan cooled
253	5/8" dia. keyed and flatted shaft 6" long	310	1/2" double flat shaft, 2 1/2 rings		
254	8.26" bolt circle, .28" diameter mounting holes	311	1/2" dia. Shaft - single flat		
255	70 degree C ambient	312	1.40 Service factor		
256	7-3/8" diameter bolt circle	313	1" extended thru bolts each end		
257	60 HZ only	314	1" extended thru bolts		
		315	1-7/8" shaft end, 1/2 lead end extended thru bolts		
		316	1-5/8" shaft end, 7/8 lead end extended thru bolts		
		317	1-5/8" extended thru bolts		
		318	1-1/2" extended thru bolts		
		319	C Dimension is the total length including shaft		
		320	56Y = 7/8" diameter keyed shaft, 2.25 long		
		321	Bohn/Heatcraft mounting hardware and OEM fan blade included.		
		322	Mechanically Reversible		
		323	Kit includes three fans: 4" blade, 5.50" dia., CCW rot., 5" blade, 5.50" dia. CCW rot. 5" blade, 4.00" dia. CW rot.		
		324	Motor fits tongue mount		
		325	Can be mounted vertically by adding 10301702 cover (sold separately)		

# Product Line

## C Frame

Pages 9-11



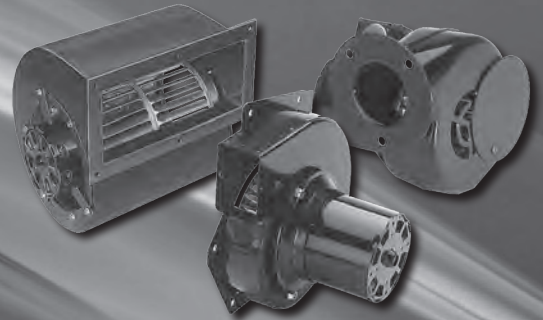
## 2-75W Unit Bearing Motors

Pages 12-18



## Centrifugal Blowers

Pages 19-27



## 3<sup>3</sup>/<sub>8</sub>" Motors

Pages 28-36



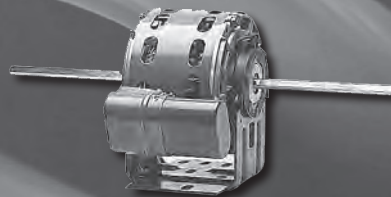
## 4<sup>5</sup>/<sub>16</sub>" Motors

Pages 38-39



## 5" Motors

Pages 40-56



## 5<sup>5</sup>/<sub>8</sub>" Motors

Pages 57-83



## 6<sup>1</sup>/<sub>2</sub>" Motors

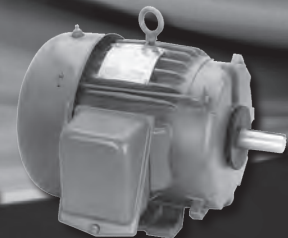
Pages 84-85



## NEMA 48-449T Frame —

## Single and Three-phase ODP and Totally Enclosed Motors

Pages 133-192



## Pool & Spa Motors

Page 193-215



## Commercial Pump Motors

Page 216-222



## Parts and Accessories

Pages 231-243



## Capacitors

Page 234

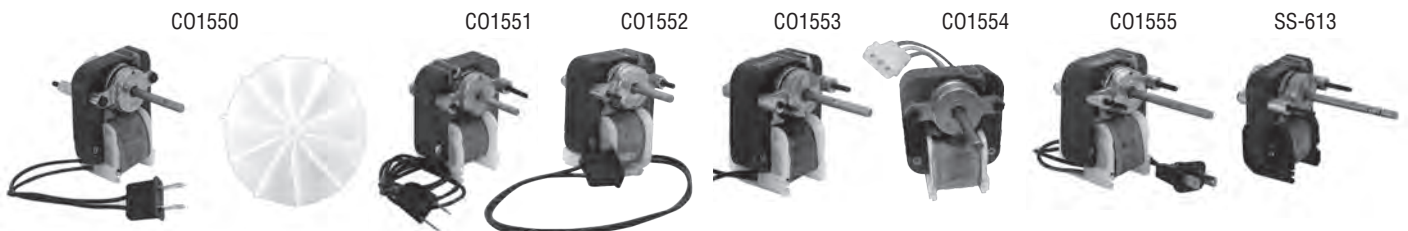


U|P|P|C|O | Universal Electric®

# Century®

# C Frame Motors

## Direct Replacement Motors



UL LISTED AND CSA CERTIFIED

### Nutone

Stack Size	RPM/Speeds	Volts	Amps	Stock Number	Shaft Dia. and Length	Rotation Shaft End	Nutone No.	Industry Reference			Notes
								Gem	Robertshaw	Supco	
1/2"	3000/1	120	0.51	SS-613	.217" x 2.51"	CCW	82230				
1/2"	3000/1	120	0.89	C01550	.217" x 1.75"	CCW	C65878	EM550	VFM-100	SM-550	194
5/8"	3000/1	120	1.08	C01555	.217" x 2.34"	CCW	C68627	EM555	VFM-106	SM-555	
3/4"	3000/1	120	0.93	C01553	.217" x 1.80"	CCW	C66582	EM553	VFM-104	SM-553	215
3/4"	3000/1	120	0.96	C01552	.217" X 1.20"	CCW	C63675	EM552	VFM-103	SM-552	
7/8"	3000/2	120	1.15	C01551	.217" x 1.36"	CW	C52367	EM551	VFM-101	SM-551	52,197
7/8"	3000/2	120	1.47	C01554	.217" x 1.29"	CCW	C27987	EM554	VFM-105	SM-554	52,197



### Bohn

Stack Size	RPM	Volts	Amps	Stock Number	Shaft Dia. and Length	Rotation Shaft End	Stand-offs	Bohn	Industry Reference	
									Gem	Uppco
5/8"	3000	120	0.80	C01691	.18 x 1.8	CW	5036F & 5018S	5007S	EM691	85
5/8"	3000	240	0.32	C01692	.18 x 1.8	CW	5036G & 5018T	5007T	EM692	1,86



### Broan

Stack Size	RPM/Speeds	Volts	Amps	Stock Number	Shaft Dia. and Length	Rotation Shaft End	Broan	Industry Reference		Notes
								Electrohome	Rotom	
1/2"	2850/1	120	0.80	CBR216	.181" x 1.3"	CCW	10940969			
3/4"	2850/2	120	1.04	BR052000	.217" x 1.2"	CCW	30080072			
7/8"	2850/1	120	1.40	BR0675	.217" x 1.2"	CCW	10940056			

**Notes:**

- 1. Item to be discontinued once stock is depleted
- 52. Two-Speed Connection: White-common, Red-low, Black-high
- 176. Moisture Proof Stator
- 194. Includes Fan Blade
- 197. Includes 2-Speed Plug
- 215. Eyelet Terminals on the Leads

# C Frame Motors

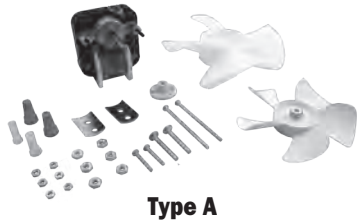
## Direct Replacement Motors

### Features:

- CSA Certified
- Fan Blades
- Mounting Hardware
- Mechanically reversible
- Single & Two-Speed
- Shaded Pole
- UL Recognize



C-Frame motor fans sold separately.  
See page 233.



**Type A**



**Type B**



**Type C**



**Type D**



**Type E**

Designed to replace many 3.3" diameter & "C" Frame Motors, used on commercial & domestic refrigeration applications, as well as exhaust fans, range hoods, heaters, ventilators, evaporators and many other air moving applications.

Stack Size	RPM/Speeds	Volts	Amps	Stock Number	Shaft Dia. and Length	Rotation	Motor Type	Industry Reference			
								Gem	Robertshaw	Acme	Notes
1/2"	3000/1	120	0.42	<b>C01678</b>	.187" X 1.50"	Rev.	B	EM678	14015		322
5/8"	3000/1	115	0.51	<b>C01316</b>	.187" X 1.00"	CWSE*	B				135,322
5/8"	3000/1	120	0.30	<b>C01677</b>	.187" X 1.28"	Rev.	B	EM677	14013		1
5/8"	3000/1	120	0.60	<b>C01375</b>	.181" X 1.50"	CCWSE*	B				4,322
3/4"	3000/1	120	0.90	<b>C01330</b>	.217" X 2.37"	CCWSE*	B				4,171,322
5/8"	2750/1	115	0.47	<b>C01323</b>	.217" x 2.37"	CWSE	D				
5/8"	3000/1	120	0.40	<b>C01670</b>	.187" X 1.42"	Rev.	A	EM670	14001	600/700/710	322
5/8"	3000/1	120	0.40	<b>C01671</b>	.187" X 1.42"	Rev.	B	EM671	14003		322
5/8"	3000/1	120	0.45	<b>C01700</b>	.187" x 1.63"	CWSE*	E			700	321,322,323
5/8"	3000/1	120	0.48	<b>C01679</b>	.217" X 1.38"	Rev.	A	EM679	14017		322
5/8"	3000/1550/2	120	0.71/0.34	<b>C01673</b>	.187" X 1.33"	Rev.	A	EM673	14007		52,322
5/8"	3000/1	240	0.25	<b>C01672</b>	.187" X 1.48"	Rev.	A	EM672	14005	602/702	6,322
7/8"	3000/1	120	1.05	<b>C01326</b>	.217" X 1.24"	CCWSE	B				
1"	3000/1550/2	120	0.73/0.36	<b>C01682</b>	.187" X 1.29"	Rev.	B	EM682	14023		52,322
1"	3000/1550/2	120	0.82/0.21	<b>C01684</b>	.218" X 2.25"	Rev.	B	EM684			1,4
1"	3000/1	120/240	1.0/0.50	<b>C01675</b>	.187" X 2.07"	Rev.	A	EM675		7502	219,322
1"	3000/1	240	0.30	<b>C01683</b>	.187" X 1.15"	Rev.	B	EM683	14025		322
1-1/8"	3000/1	120	0.70	<b>C01680</b>	.187" X 1.46"	Rev.	B	EM680	14019	750	322
1-1/8"	3000/1	240	0.60	<b>C01329</b>	.217" x 1"	CCWSE	D				
1-1/5"	3000/1	115	1.10	<b>C01322</b>	.250" X 2.00"	REV	B				2,171,322

### Notes:

- Item to be discontinued once stock is depleted
- Supplied with lead and plug assembly
- 50/60 HZ
- Two-speed connection: white-common, red-low, black-high
- Shaft has no flat
- Motor is thermally protected
- Dual voltage connection: black-common, white-120 volt, red-240 volt
- Bohn/Heatcraft mounting hardware and OEM fan blade included
- Mechanically reversible
- Kit includes three fans: 4 blade, 5.50 dia. CCW rot., 5 blade, 5.50 dia. CCW rot., 5 blade, 4.00 dia. CW rot

\*To reverse the rotation of a C-Frame motor, remove the shaft from one side of the stack and re-install it back on the opposite side of the stack.

## Direct Replacement Motors



**Type A**



**Type B**



**Type C**

### 120 VOLT, EVAPORATIVE FAN MOTORS

Stack Size	RPM/Speeds	Volts	Amps	Stock Number	Shaft Dia. and Length	Rotation	Motor Type	Gem	Industry Reference	Notes
1/2"	3000	120	.20	<b>C01336</b>	.125" x 1.30"	CWSE	C	<b>EM336</b>	For Gibson/Frigidaire	77
1/2"	3000	120	.30	<b>C01334</b>	.187" x 1.66"	CWSE	B	<b>EM334</b>	For Admiral	64
5/8"	3000	115	.40	<b>C01335A</b>	.187" x 1.67"	CWSE	A	<b>EM335</b>	For Admiral	64

**Notes:**

64. Spade Connector

77. Molex Plug

## Fireplace Fan

**Features:**

- Mounting Brackets fit 5.83" B.C.D.
- Universal Fireplace Fan Replacement
- 100 CFM



C01574

Stack Size	RPM	Speeds	Volts	Hz	Amps	Stock Number	Alternate	Shaft Dia. and Length	Rotation	Protection	Cross Reference	Notes
1/2"	3000	1	120	60	.46	<b>C01574</b>			CWSE	Impedance	Rotom RF100 J574	

# Unit Bearing Fan Motors

## Features:

- Aluminum & Cast Iron
- All Models Include Vibration Dampening Hub Washer, Speed Nut and 4 Mounting Screw
- Continuous Duty, Air Over
- 60/50 Hz
- Shaded Pole
- 115 & 230 Volt
- Totally Enclosed
- UL & CSA Recognized
- Horizontal and shaft up mounting only



## CAST IRON - TWO MOUNTING FEET

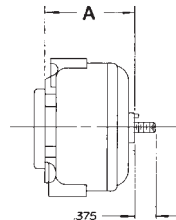
Watts Output	RPM	Volts	Amps	Stock Number	Rotation	Rear Mounting Holes	"A" Dim.	Emerson Number	Notes
2	1550	115	0.22	UB02CWL2F	CWLE	3	2.52		
4	1550	115	0.29	UB04CWL2F	CWLE	3	2.52	2115	
4	1550	115	0.29	UB04CCL2F	CCWLE	3	2.52	2103	
4	1550	230	0.15	UB04CWH2F	CWLE	3	2.52	2123	
4	1550	230	0.15	UB04CCH2F	CCWLE	3	2.52	2122	
5	1550	115	0.34	UB05CWL2F	CWLE	3	2.52	2119	
6	1550	115	0.40	UB06CWL2F	CWLE	3	2.74	2117	
6	1550	115	0.40	UB06CCL2F	CCWLE	3	2.74	2116	
9	1550	115	0.55	UB09CWL2F	CWLE	3	2.74	2108	
9	1550	115	0.55	UB09CCL2F	CCWLE	3	2.74	2118	
9	1550	230	0.27	UB09CWH2F	CWLE	3	2.74	2110	
9	1550	230	0.27	UB09CCH2F	CCWLE	3	2.74	2109	
16	1550	115	1.0	UB16CWL12F	CWLE	3	3.11	2112	
16	1550	115	1.0	UB16CCL12F	CCWLE	3	3.11	2111	
16	1550	230	0.50	UB16CWH12F	CWLE	3	3.11	2114	
16	1550	230	0.50	UB16CCH12F	CCWLE	3	3.11	2113	

## ALUMINUM - TWO MOUNTING FEET

Watts Output	RPM	Volts	Amps	Stock Number	Rotation	Rear Mounting Holes	"A" Dim.	Emerson Number	Notes
4	1550	115	0.29	UB04CLA2F	CCWLE	5	2.25	D555	1
5	1550	115	0.34	UB05CLA2F	CCWLE	5	2.25	D583	
6	1550	115	0.40	UB06CWA2F	CWLE	5	2.50	D558	1
6	1550	115	0.40	UB06CLA2F	CCWLE	5	2.50	D559	1
9	1550	115	0.50	UB09CLA2F	CCWLE	5	2.50	D563	1
9	1550	230	0.25	UB09CWA2F	CWLE	5	2.50	D564	1
9	1550	230	0.25	UB09CHA2F	CCWLE	5	2.50	D565	1

### Notes:

1. Item to be discontinued when stock is depleted  
See Parts & Accessories starting on page 231



**Features:**

- Advanced ECM Design
- Up to 65% Efficiency
- Rain Shielded
- Cast Iron
- 13" Leads
- Lyall Plug
- UL Approved E128044
- Wide temperature range oil for use in evaporators and condensers.
- Tapped & Drilled Mounting Holes
  - Evaporator Mount - Standard 3-hole, 4-hole Hussmann Style
  - Condenser Mount - Double boss



**Breakthrough motor design offers huge energy savings for the refrigeration market.**

Replaces 6, 9, 12 and 14, 15, 16 watt PSC and low efficiency shaded pole motors in evaporators and condenser units.

**Direct Drop-in Replacement for supermarket case evaporator fans and condenser units**



9207F2,  
9208F2,  
9211



9214L,  
9214H



9209L,  
9210L,  
9209H,  
9210H



9215L,  
9215H,  
9216L,  
9216H



9212,  
9213

Watts	RPM	Volts	Amps	Stock No.	ROT OSE	Mounting Holes	"A" Dim.	Notes
6, 9, 12	1550	115	.2-.3	<b>9207F2</b>	CW	5 rear mounting holes	2.93	
14, 15, 16	1550	115	.47-.58	<b>9208F2</b>	CW	5 rear mounting holes	2.93	
13	1725	115	0.47	<b>9211</b>	CW	5 rear mounting holes	2.93	<b>New!</b>
6,9,12	1550	115	0.31	<b>9212</b>	CW	7 rear mounting holes	3.03	<b>New!</b>
14,15,16	1550	115	0.41	<b>9213</b>	CW	7 rear mounting holes	3.03	<b>New!</b>
HP	RPM	Volts	Amps	Stock No.	ROT OSE	Mounting Holes	"A" Dim.	Notes
1/15, 1/20, 1/25	1550	115	1.3	<b>9214L</b>	Reversible	4 studs each end	3.58	<b>New!</b>
1/15, 1/20, 1/25	1550	208-230	0.63	<b>9214H</b>	Reversible	4 studs each end	3.58	<b>New!</b>
1/15, 1/20, 1/25	1550	115	1.25	<b>9209L</b>	CCW	4 studs SE	3.20	<b>New!</b>
1/15, 1/20, 1/25	1550	115	1.25	<b>9210L</b>	CW	4 studs SE	3.20	<b>New!</b>
1/15, 1/20, 1/25	1550	230	0.77	<b>9209H</b>	CCW	4 studs SE	3.20	<b>New!</b>
1/15, 1/20, 1/25	1550	230	0.77	<b>9210H</b>	CW	4 studs SE	3.20	<b>New!</b>
1/15, 1/20, 1/25	1625	120	1.2	<b>9215L</b>	CCW	4 studs each end	2.85	<b>New!</b>
1/15, 1/20, 1/25	1625	230	0.7	<b>9215H</b>	CCW	4 studs each end	2.85	<b>New!</b>
1/15, 1/20, 1/25	1625	120	1.2	<b>9216L</b>	CW	4 studs each end	2.85	<b>New!</b>
1/15, 1/20, 1/25	1625	230	0.7	<b>9216H</b>	CW	4 studs each end	2.85	<b>New!</b>

Replaces 1/15, 1/20, 1/25 HP PSC and low efficient shaded pole designs.

# Unit Bearing Fan Motors

## Features:

- Aluminum & Cast Iron
- All Models Include Vibration Dampening Hub Washer, Speed Nut and 4 Mounting Screw
- Continuous Duty, Air Over
- 60/50 Hz
- Shaded Pole
- 115 & 230 Volt
- Totally Enclosed
- UL & CSA Recognized
- Horizontal and shaft up mounting only



## CAST IRON - ONE MOUNTING FOOT

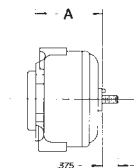
Watts Output	RPM	Volts	Amps	Stock Number	Rotation	Rear Mounting Holes	"A" Dim.	GE No.	Notes
2.5	1550	115	0.26	UB025CWL	CWLE	3	2.39	5111	
4	1550	115	0.29	UB04CWL	CWLE	3	2.39	5211	1
4	1550	115	0.29	UB04CCL	CCWLE	3	2.39	5212	1
4	1550	230	0.15	UB04CWH	CWLE	3	2.39	5221	1
4	1550	230	0.15	UB04CCH	CCWLE	3	2.39	5222	1
6	1550	115	0.40	UB06CWL	CWLE	3	2.93	5311	1
6	1550	115	0.40	UB06CCL	CCWLE	3	2.93	5312	1
9	1550	115	0.55	UB09CWL	CWLE	3	2.93	5411	1
9	1550	115	0.55	UB09CCL	CCWLE	3	2.93	5412	1
9	1550	230	0.27	UB09CWH	CWLE	3	2.93	5421	1
9	1550	230	0.27	UB09CCH	CCWLE	3	2.93	5422	1
16	1550	115	1.0	UB16CWL1	CWLE	3	3.19	5811	1
16	1550	115	1.0	UB16CCL1	CCWLE	3	3.19	5812	1
16	1550	230	0.50	UB16CWH1	CWLE	3	3.19	5821	1
16	1550	230	0.50	UB16CHV1	CCWLE	3	3.19	5822	1

## ALUMINUM - ONE MOUNTING FOOT

Watts Output	RPM	Volts	Amps	Stock Number	Rotation	Rear Mounting Holes	"A" Dim.	GE No.	Notes
2	1550	115	0.22	UB02CWLA	CWLE	3	2.47	5109	1,161
2.3	1550	115	0.25	UB023CWLA	CWLE	3	2.47		161
4	1550	115	0.29	UB04CWLA	CWLE	3	2.47	5213	1
4	1550	115	0.29	UB04CCLA	CCWLE	3	2.47	5214	1
4	1550	230	0.15	UB04CWHA	CWLE	3	2.47	5223	1
4	1550	230	0.15	UB04CCHA	CCWLE	3	2.47	5224	1
6	1550	115	0.40	UB06CWLA	CWLE	3	2.91	5313	1
6	1550	115	0.40	UB06CCLA	CCWLE	3	2.91	5314	1
9	1550	115	0.50	UB09CWLA	CWLE	3	2.91	5413	1
9	1550	115	0.50	UB09CCLA	CCWLE	3	2.91	5414	1
9	1550	230	0.25	UB09CWHA	CWLE	3	2.91	5423	1
9	1550	230	0.25	UB09CCHA	CCWLE	3	2.91	5424	1
16	1550	115	1.0	UB16CWLA	CWLE	3	3.19	5813	1
16	1550	115	1.0	UB16CCLA	CCWLE	3	3.19	5814	1
16	1550	230	0.50	UB16CWHA	CWLE	3	3.19	5823	1

### Notes:

1. Item to be discontinued when stock is depleted
161. No side bosses  
See Parts & Accessories starting on page 231

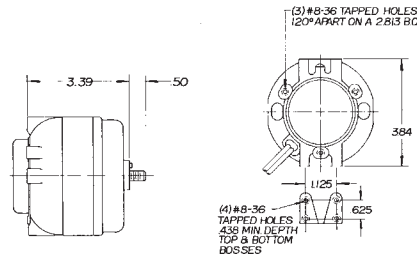




## 16-25-35 WATT (1/50 to 1/20 HP)

### Features:

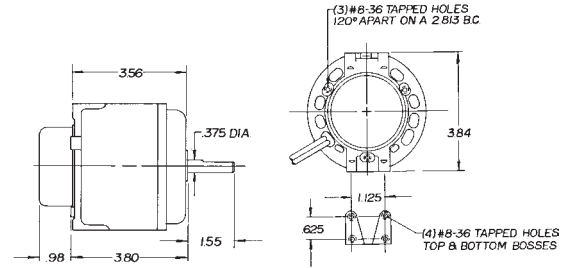
- High Efficiency
- Cast Iron
- Fan Motors
- Horizontal and Shaft Up mounting only



## 50-75 WATT (1/15 HP)

### Features:

- High Efficiency
- Cast Iron
- Fan Motors
- Horizontal and Shaft Up mounting only



Watt Output	RPM	Volts	Amps	Stock Number	Shaft Diameter & Length	Rotation	EMS Number	OEM Part Number	Notes
15	1500	115	.60	277	5/16 x 7	CCWLE	ESPOL15EMJR11	24-0366	3
15	1500	115	.60	292	5/16 x 5	CCWLE	ESP-L15EMJR1B2		
15	1500	115	.60	296	5/16 x 9	CCWLE	ESP-L15EMJR17		69
16	1500	115	.80	246	1/4 x 20THD	CWLE	ESPL16EM1		
16	1500	115	.80	247	1/4 x 20THD	CCWLE	ESPL16EMR1		
16	1500	230	.40	248	1/4 x 20THD	CWLE	ESPL16EM2		
16	1500	230	.40	249	1/4 x 20THD	CCWLE	ESPL16EMR2		
25	1500	115	1.1	297	5/16 x 7	CCWLE	ESPL25MJR1B1		3,69
25	1500	115	1.1	250	1/4 x 20THD	CWLE	ESPL25EM1		
25	1500	115	1.1	251	1/4 x 20THD	CCWLE	ESPL25EMR1		
25	1500	230	.60	252	1/4 x 20THD	CWLE	ESPL25EM2		
25	1500	230	.60	253	1/4 x 20THD	CCWLE	ESPL25EMR2		
35	1500	115	1.4	254	1/4 x 20THD	CWLE	ESPL35EM1	810M035A29	
35	1500	115	1.4	255	1/4 x 20THD	CCWLE	ESPL35EMR1		
35	1500	230	.70	256	1/4 x 20THD	CWLE	ESPL35EM2	810M035A21 & A28	
35	1500	230	.70	257	1/4 x 20THD	CCWLE	ESPL35EMR2		
50	1500	115	1.7	258	3/8 x 1-1/2	CWLE	ESPOL50EM1	050-0244-01	
50	1500	115	1.7	291	5/16 x 3	CWLE	ESPOL50EM1B1	134350000	3
50	1500	115	1.7	259	3/8 x 1-1/2	CCWLE	ESPOL50EMR1		3,6
50	1500	115	1.7	289	3/8 x 1-1/2	CWLE	ESPOL50EM13	998-1008-00	3,187
50	1500	230	.85	260	3/8 x 1-1/2	CWLE	ESPOL50EM2	050-0244-00	6
50	1500	208-230	1.2	9200	3/8 x 1-1/4	CWLE	ESPOL60EM2		
50	1500	230	.85	261	3/8 x 1-1/2	CCWLE	ESPOL50EMR2		3,6
50	1500	230	.85	276	5/16 x 2-1/2	CCWLE	ESPOL50EMJR21	810M050A62	3
50	1500	230	.85	285	5/16 x 1-1/2	CWLE	ESPOL50EM2B		3
50	1500	230	.85	288	3/8 x 1-1/2	CWLE	ESPOL50EM26	998-1007-00	3,187
50	1500	460	.44	290	3/8 x 1-1/2	CWLE	ESPOL50EM461	050-0244-02	3
75	1500	230	1.5	298	3/8 x 1-1/2	CWLE	ESPOL75EM2		

### Notes:

- 3. Special OEM Replacement Motor (See Pages 16-18)
  - 6. 60/50 HZ
  - 69. Pin hole in shaft
  - 187. Includes Mounting Bracket and Shaft Bushing
- See Parts & Accessories starting on page 231

# Special Unit Bearing Replacement Motors

## Bally



285

Watt Output	RPM	Speeds	Volts	Amps	Motor Dia.	Stock Number	Shaft Dia. & Length	Rotation	Capacitor	"A" Dim	Cross Reference	Notes
50	1500	1	230	.85	3-7/8"	285	5/16 x 1-1/2	CWLE	Shaded Pole	3.77	ESPOL50EM2B	

## Copeland



254



258, 260, 290



276



288, 289

Watt Output	RPM	Speeds	Volts	Amps	Motor Dia.	Stock Number	Shaft Dia. & Length	Rotation	Capacitor	"A" Dim	Cross Reference	Notes
35	1500	1	115	1.4	3-7/8"	254	1/4"-20 THD.	CWLE	Shaded Pole	3.39	050-0267-0	
50	1500	1	115	1.7	3-7/8"	258	3/8 x 1-1/2	CWLE	Shaded Pole	3.78	050-0244-01	
50	1500	1	230	.85	3-7/8"	260	3/8 x 1-1/2	CWLE	Shaded Pole	3.78	050-0244-00	
50	1500	1	115	1.7	3-7/8"	289	3/8 x 1-1/2	CWLE	Shaded Pole	3.78	998-1008-00	
50	1500	1	230	.85	3-7/8"	288	3/8 x 1-1/2	CWLE	Shaded Pole	3.78	050-0244-00	
50	1500	1	230	.85	3-7/8"	276	5/16 x 2-1/2	CCWLE	Shaded Pole	3.75	050-0264-0	
50	1500	1	460	.44	3-7/8"	290	3/8 x 1-1/2	CWLE	Shaded Pole	3.63	050-0244-02	

## Crystal Tips



246

Watt Output	RPM	Speeds	Volts	Amps	Motor Dia.	Stock Number	Shaft Dia. & Length	Rotation	Capacitor	"A" Dim	Cross Reference	Notes
16	1550	1	115	.80	3-7/8"	246	1/4"-20 THD.	CWLE	Shaded Pole	3.39	879-386857	

## Gibson/Kelvinator



277

Watt Output	RPM	Speeds	Volts	Amps	Motor Dia.	Stock Number	Shaft Dia. & Length	Rotation	Capacitor	"A" Dim	Cross Reference	Notes
15	1500	1	115	.60	3-7/8"	277	5/16 x 7	CCWLE	Shaded Pole	3.32	24-0366	

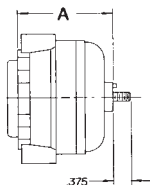
## Hill Refrigeration



UB05CWL2F

Watt Output	RPM	Speeds	Volts	Amps	Motor Dia.	Stock Number	Shaft Dia. & Length	Rotation	Capacitor	"A" Dim	Cross Reference	Notes
5	1550	1	115	.34	3-1/2"	UB05CWL2F	1/4"-20 THD.	CWLE	Shaded Pole	2.50	PP7577M	

Notes:  
See Parts & Accessories starting on page 231



# Special Unit Bearing Replacement Motors

## Hussmann



9211

Watt Output	RPM	Speeds	Volts	Amps	Stock Number	Rotation	"A" Dim	Cross Reference	Notes
13	1725	1	115	.47	9211	CW	2.93	4410547, 441-547	<b>NEW!</b>

## Ice-O-Matic



246, 254, 256



260

Watt Output	RPM	Speeds	Volts	Amps	Motor Dia.	Stock Number	Shaft Dia. & Length	Rotation	Capacitor	"A" Dim	Cross Reference	Notes
16	1500	1	115	.80	3-7/8"	246	1/4"-20 THD.	CWLE	Shaded Pole	3.39	9161045-04	
35	1500	1	115	1.4	3-7/8"	254	1/4"-20 THD.	CWLE	Shaded Pole	3.39	9161078-01	
35	1500	1	230	.70	3-7/8"	256	1/4"-20 THD.	CWLE	Shaded Pole	3.39	9161078-03 309316-000	
50	1500	1	230	.85	3-7/8"	260	3/8" x 1-1/2"	CWLE	Shaded Pole	3.78	319357-000	

## IMI Cornelius



297



256



260, 291

Watt Output	RPM	Speeds	Volts	Amps	Motor Dia.	Stock Number	Shaft Dia. & Length	Rotation	Capacitor	"A" Dim	Cross Reference	Notes
25	1500	1	115	1.1	3-7/8"	297	5/16" x 7"	CCWLE	Shaded Pole	3.17	31-0154	69
35	1500	1	230	.70	3-7/8"	256	1/4"-20 THD.	CWLE	Shaded Pole	3.39	30-9316	
50	1500	1	115	1.7	3-7/8"	291	5/16" x 3"	CWLE	Shaded Pole	3.80	13435-0000	
50	1500	1	230	.85	3-7/8"	260	3/8" x 1-1/2"	CWLE	Shaded Pole	3.78	319352-000	

## Kelvinator

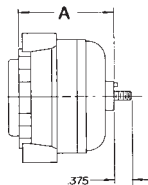


277

Watt Output	RPM	Speeds	Volts	Amps	Motor Dia.	Stock Number	Shaft Dia. & Length	Rotation	Capacitor	"A" Dim	Cross Reference	Notes
15	1500	1	115	.60	3-7/8"	277	5/16" x 7"	CCWLE	Shaded Pole	3.32	5.024-0366	

### Notes:

69. Pin hole in shaft  
See Parts & Accessories starting on page 231



# Special Unit Bearing Replacement Motors

## Larkin Coil



Watt Output	RPM	Speeds	Volts	Amps	Motor Dia.	Stock Number	Shaft Dia. & Length	Rotation	Capacitor	"A" Dim	Cross Reference	Notes
15	1500	1	115	.60	3-7/8"	277	5/16 x 7	CCWLE	Shaded Pole	3.32	24-0366	

## Manitowoc



Watt Output	RPM	Speeds	Volts	Amps	Motor Dia.	Stock Number	Shaft Dia. & Length	Rotation	Capacitor	"A" Dim	Cross Reference	Notes
25	1500	1	115	1.1	3-7/8"	250	1/4" x 20 THD	CWLE	Shaded Pole	3.39	002412283	
35	1500	1	115	1.4	3-7/8"	254	1/4" x 20 THD	CWLE	Shaded Pole	3.39	002401591 002412373	
50	1500	1	230	.85	3-7/8"	260	3/8" x 1-1/2	CWLE	Shaded Pole	3.78	002412353	

## Scotsman



Watt Output	RPM	Speeds	Volts	Amps	Motor Dia.	Stock Number	Shaft Dia. & Length	Rotation	Capacitor	"A" Dim	Cross Reference	Notes
25	1500	1	115	1.1	3-7/8"	250	1/4" x 20 THD	CWLE	Shaded Pole	3.39	18-7200-01	
50	1500	1	115	1.7	3-7/8"	258	3/8" x 1-1/2	CWLE	Shaded Pole	3.78	18-5105-11	
50	1500	1	230	.85	3-7/8"	260	3/8" x 1-1/2	CWLE	Shaded Pole	3.78	18-5105-02	

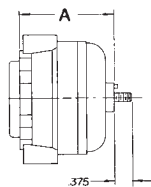
## Tecumseh



Watt Output	RPM	Speeds	Volts	Amps	Motor Dia.	Stock Number	Shaft Dia. & Length	Rotation	Capacitor	"A" Dim	Cross Reference	Notes
35	1500	1	115	1.4	3-7/8"	254	1/4" x 20 THD	CWLE	Shaded Pole	3.39	810M035A29 TFM-351 ESPL35EM111-C1	
35	1500	1	230	.70	3-7/8"	256	1/4" x 20 THD	CWLE	Shaded Pole	3.39	810M035A28 TFM-352 ESPL35EM21-C1	
50	1500	1	230	.85	3-7/8"	276	5/16" x 2-1/2	CCWLE	Shaded Pole	3.75	810M050A62	

**Notes:**

See Parts & Accessories starting on page 231




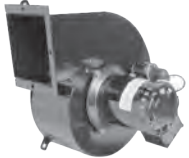









# General Purpose Centrifugal Blowers

<p><b>55 CFM STOCK NO. 12</b></p> <ul style="list-style-type: none"> <li>• 1/200-115-60/50-1-1550 • AMPS 0.25</li> <li>• Sleeve Bearing</li> </ul> 	<p><b>60 CFM STOCK NO. 9443</b></p> <ul style="list-style-type: none"> <li>• 1/100-208-240-60/50-1-3000</li> <li>• AMPS .3/3 • Sleeve Bearing</li> <li>• Replaces: Fasco 50747-D230, WWG 2C914</li> </ul> 	<p><b>60 CFM STOCK NO. 9461</b></p> <ul style="list-style-type: none"> <li>• 1/100-115-60-1-3000 • AMPS 0.5</li> <li>• Sleeve Bearing</li> <li>• Replaces: Fasco 50747-D500</li> </ul> 	<p><b>60 CFM STOCK NO. 9470</b></p> <ul style="list-style-type: none"> <li>• 1/100-115-60/50-1-3200 • AMPS 0.6/0.8</li> <li>• Sleeve Bearing • Includes Damper</li> <li>• Replaces: W.W.G. 4C440, Fasco 50747-D401</li> </ul> 
<p><b>65 CFM STOCK NO. 9462</b></p> <ul style="list-style-type: none"> <li>• 1/70-115-60-1-3200 • AMPS 0.8</li> <li>• Sleeve Bearing</li> <li>• Replaces Fasco 50748-D500, W.W.G. 4C443</li> </ul> 	<p><b>70 CFM STOCK NO. 9460</b></p> <ul style="list-style-type: none"> <li>• 1/70-120-60-1-3200 • AMPS 0.7</li> <li>• Sleeve Bearing • Molded Cord &amp; Plug</li> <li>• Replaces Fasco A071, 7021-7371</li> </ul> 	<p><b>85-55 CFM STOCK NO. 414</b></p> <ul style="list-style-type: none"> <li>• 1/70-115-60-1-2800/1800</li> <li>• AMPS 0.65/0.45 • Sleeve Bearing</li> <li>• 2 Speed</li> </ul> 	<p><b>90 CFM STOCK NO. 13</b></p> <ul style="list-style-type: none"> <li>• 1/40-115-60-1-3000 • AMPS 1.0</li> <li>• Sleeve Bearing</li> </ul> 
<p><b>90 CFM STOCK NO. 383</b></p> <ul style="list-style-type: none"> <li>• 1/40-115-60-1-3000 • AMPS 1.0</li> <li>• Sleeve Bearing</li> </ul> 	<p><b>90 CFM STOCK NO. 408</b></p> <ul style="list-style-type: none"> <li>• 1/40-115/208-230-60/50-1-3000</li> <li>• AMPS 0.86/0.43 • Ball Bearing</li> <li>• Replaces: York, Fasco B23618</li> </ul> 	<p><b>135 CFM STOCK NO. 9468</b></p> <ul style="list-style-type: none"> <li>• 1/25-115-60/50-1-2600 • AMPS 1.3</li> <li>• Sleeve Bearing</li> <li>• Replaces: Fasco B24220</li> </ul> 	<p><b>140 CFM STOCK NO. 9492</b></p> <ul style="list-style-type: none"> <li>• 1/50-115-60/50-1-3000 • AMPS 1.0</li> <li>• Sleeve Bearing</li> <li>• Replaces: WWG 4C442, Fasco 50752-D500</li> </ul> 
<p><b>140 CFM STOCK NO. 9493</b></p> <ul style="list-style-type: none"> <li>• 1/50-208-240-60/50-1-3000</li> <li>• AMPS 0.5 • Sleeve Bearing</li> <li>• Replaces: WWG 2C915, Fasco 50752-D230</li> </ul> 	<p><b>148 CFM STOCK NO. 9413</b></p> <ul style="list-style-type: none"> <li>• 1/20-115-60/50-1-3160/2630</li> <li>• AMPS 1.5/1.8 • Sleeve Bearing</li> <li>• Replaces: Fasco 7021-3469, WWG 4C446</li> </ul> 	<p><b>150 CFM STOCK NO. 9483</b></p> <ul style="list-style-type: none"> <li>• 1/30-115-60-1-3000 • AMPS 1.1</li> <li>• Sleeve Bearing</li> </ul> 	<p><b>160 CFM STOCK NO. 458</b></p> <ul style="list-style-type: none"> <li>• 1/45-115-60/50-1-1595/1355</li> <li>• AMPS 1.2/1.4 • Sleeve Bearing</li> <li>• Replaces: WWG 1C982, Fasco 50755-D500</li> </ul> 
<p><b>180 CFM STOCK NO. 9471</b></p> <ul style="list-style-type: none"> <li>• 1/22-115-60-1-1500 • AMPS 2.0/1.3/1</li> <li>• Three-Speed • Replaces: Fasco B47120, W.W.G. 4C754</li> </ul> 	<p><b>250 CFM STOCK NO. 9437</b></p> <ul style="list-style-type: none"> <li>• 1/20-120-60-1-3000 • AMPS 1.8</li> <li>• Double Blower • Single Speed</li> <li>• Plastic Housing</li> </ul> 	<p><b>265 CFM STOCK NO. 459A</b></p> <ul style="list-style-type: none"> <li>• 1/25-115-60/50-1-1630/1400</li> <li>• AMPS 1.9/2.1 • For Motor Only Use Stock Motor No. 562 • Sleeve Bearing</li> <li>• Replaces: Fasco B45227, W.W.G. 4C447</li> </ul> 	<p><b>265 CFM STOCK NO. 9411</b></p> <ul style="list-style-type: none"> <li>• 1/25-230-60/50-1-1650/1375</li> <li>• AMPS 0.9/1.1 • Sleeve Bearing</li> <li>• Replaces: W.W.G. 4C869, Fasco B45227-2</li> </ul> 

**Note:**

For mounting dimensions see pages 23-24, for CFM data see pages 25-26.

# General Purpose Centrifugal Blowers

<p><b>320 CFM STOCK NO. 9486</b></p> <ul style="list-style-type: none"> <li>• 1/25 • 115-60-1-1500 • AMPS 1.3</li> <li>• Sleeve Bearing • Includes Mounting Flanges • Replaces: Fasco 50756-D500</li> </ul> 	<p><b>326 CFM STOCK NO. 9467</b></p> <ul style="list-style-type: none"> <li>• 1/12-115-60/50-1-1600 • AMPS 1.1</li> <li>• PSC – Capacitor Supplied • Ball Bearing</li> <li>• Includes Mounting Plate</li> <li>• Replaces: W.W.G. 4C943</li> </ul> 	<p><b>350 CFM STOCK NO. 9466</b></p> <ul style="list-style-type: none"> <li>• 1/10-115-60/50-1-1570/1320</li> <li>• AMPS 3.0-2.8 • Sleeve Bearing</li> <li>• Replaces: W.W.G. 4C444</li> </ul> 	<p><b>400 CFM STOCK NO. 9448</b></p> <ul style="list-style-type: none"> <li>• 1/10-120-60-1-3000 • AMPS 3.8</li> <li>• Sleeve Bearing • Plastic Double Blower</li> </ul> 
<p><b>455 CFM STOCK NO. 9478</b></p> <ul style="list-style-type: none"> <li>• 1/10-115-60/50-1-1550/1200</li> <li>• AMPS 1.5 • PSC • Two-Speed</li> <li>• Capacitor Included • Replaces: Fasco A455</li> </ul> 	<p><b>460 CFM STOCK NO. 460</b></p> <ul style="list-style-type: none"> <li>• 1/12-115-60/50-1-1550/1345</li> <li>• AMPS 2.7/3.3 • Sleeve Bearing</li> <li>• Replaces: Fasco B45267, W.W.G. 4C448</li> </ul> 	<p><b>460 CFM STOCK NO. 9412</b></p> <ul style="list-style-type: none"> <li>• 1/15-230-60/50-1-1550/1300</li> <li>• AMPS 1.6/1.18</li> <li>• Sleeve Bearing • Replaces: W.W.G. 5C507</li> </ul> 	<p><b>495 CFM STOCK NO. 9465</b></p> <ul style="list-style-type: none"> <li>• 1/10-115-60/50-1-1570/1300</li> <li>• AMPS 3.4/3.8</li> <li>• Sleeve Bearing</li> <li>• Replaces: W.W.G. 4C445A</li> </ul> 
<p><b>500 CFM STOCK NO. 9491</b></p> <ul style="list-style-type: none"> <li>• 1/10-115-60/50-1-1550/1200</li> <li>• AMPS 3.5/2.2 • Sleeve Bearing</li> <li>• Two-Speed • Replaces: Fasco 50769-D500</li> </ul> 	<p><b>760/545 CFM STOCK NO. 9459</b></p> <ul style="list-style-type: none"> <li>• 1/5-115-60/50-1-1450/1200 • AMPS 3.2</li> <li>• PSC • Two-Speed • Capacitor Included</li> <li>• Replaces: W.W.G. 5C508</li> </ul> 	<p><b>1000 CFM STOCK NO. 9477</b></p> <ul style="list-style-type: none"> <li>• 1/4-115/230-60-1-1100/950</li> <li>• AMPS 4.0/2.0 • Two-Speed</li> <li>• PSC • Replaces: Fasco A1000</li> </ul> 	

**Note:**

For mounting dimensions see pages 23-24, for CFM data see pages 25-26.


# OEM Direct Replacement Centrifugal Blowers

<p><b>Armstrong Air</b> <b>85 CFM STOCK NO. 9495</b></p> <ul style="list-style-type: none"> <li>• 1/30-115-60-1-3000 • AMPS 1.2</li> <li>• Sleeve Bearing • Replaces: JAIN111, Armstrong Air, 41445-001</li> </ul> 	<p><b>Armstrong Air</b> <b>105 CFM STOCK NO. 9430</b></p> <ul style="list-style-type: none"> <li>• 1/30-208-230-60-1-3000 • AMPS 0.6</li> <li>• Ball Bearing • Replaces: UE JB1N075NS, Armstrong 42250-001</li> </ul> 	<p><b>Bradford White</b> <b>150 CFM STOCK NO. 9458</b></p> <ul style="list-style-type: none"> <li>• 1/25-115-60-1-3300 • AMPS 1.8</li> <li>• Sleeve Bearing • Replaces: Fasco A149, 7021-7761</li> </ul> 	<p><b>Consolidated Industries</b> <b>90 CFM STOCK NO. 9619</b></p> <ul style="list-style-type: none"> <li>• 1/30-115-60-3200 • AMPS 1.35</li> <li>• Sleeve Bearing • Replaces: JAIN107, Consolidated Industries 490950, 4246100</li> </ul> 
<p><b>Consolidated Industries</b> <b>90 CFM STOCK NO. 9620</b></p> <ul style="list-style-type: none"> <li>• 1/20-115-60-3200 • AMPS 1.73</li> <li>• Sleeve Bearing • Replaces: JAIN114, Consolidated Industries 422030, 4246101</li> </ul> 	<p><b>Consolidated Industries</b> <b>90 CFM STOCK NO. 9621</b></p> <ul style="list-style-type: none"> <li>• 1/30-115-60-3200 • AMPS 1.35</li> <li>• Sleeve Bearing • Replaces: JAIN117, Consolidated Industries 430580, 4311200</li> </ul> 	<p><b>Consolidated Industries</b> <b>90 CFM STOCK NO. 9622</b></p> <ul style="list-style-type: none"> <li>• 1/20-115-60-3200 • AMPS 1.73</li> <li>• Sleeve Bearing • Replaces: JAIN118, Consolidated Industries 430590, 4311201</li> </ul> 	<p><b>Consolidated Industries</b> <b>95 CFM STOCK NO. 959</b></p> <ul style="list-style-type: none"> <li>• 1/30-115-60-1-3300 • AMPS 0.9</li> <li>• Sleeve Bearing • Special mounting holes</li> <li>• Lead and plug assembly included</li> <li>• Replaces: UE JA1P082, Consolidated 401570</li> </ul> 
<p><b>Consolidated Industries</b> <b>105 CFM STOCK NO. 960</b></p> <ul style="list-style-type: none"> <li>• 1/30-115-60-1-3300 • AMPS 1.41</li> <li>• Sleeve Bearing • Replaces: UE JA1P090, Consolidated 401450</li> </ul> 	<p><b>Evcon</b> <b>100 CFM STOCK NO. 961</b></p> <ul style="list-style-type: none"> <li>• 1/50-115-60-1-3300 • AMPS 0.9</li> <li>• Sleeve Bearing • Direct OEM Replacement</li> <li>• Lead and plug assembly included</li> <li>• Replaces: UE JA1P092, Evcon 2702-3201A</li> </ul> 	<p><b>Goodman</b> <b>100 CFM STOCK NO. 577</b></p> <ul style="list-style-type: none"> <li>• 1/50-115-60-1-3000 • AMPS 1.0</li> <li>• Sleeve Bearing • Replaces: Rheem 21504-03-04, 21496-03-01, Goodman B185900 Fasco A079, 7021-6804, UE JA1M106, JA1M137</li> </ul> 	<p><b>Heil Quaker</b> <b>64 CFM STOCK NO. 997</b></p> <ul style="list-style-type: none"> <li>• 1/100-115-60-1-3150 • AMPS .6</li> <li>• Sleeve Bearing • Replaces: Fasco A064, Heil Quaker 610672, Johnstone X89-455</li> </ul> 
<p><b>Heil Quaker</b> <b>65 CFM STOCK NO. 776</b></p> <ul style="list-style-type: none"> <li>• 1/50-230-60-1-3200 • AMPS .4</li> <li>• Sleeve Bearing • Replaces: Fasco A151, Heil Quaker/Intercity Products No. HQ1050144UN, Whirlpool</li> </ul> 	<p><b>Heil Quaker</b> <b>75 CFM STOCK NO. 9446</b></p> <ul style="list-style-type: none"> <li>• 1/50-208-230-60-1-3000 • AMPS .61</li> <li>• Sleeve Bearing • Replaces: Fasco A148, 7021-7617</li> </ul> 	<p><b>Heil Quaker</b> <b>90 CFM STOCK NO. 582</b></p> <ul style="list-style-type: none"> <li>• 1/40-115/230-60-1-3000</li> <li>• AMPS 1.0/0.5 • Ball Bearing • Replaces: Arkla, Tappan SJC, Heil-Quaker No. HQ601073UN, Janitrol 11429-32, Fasco A073</li> </ul> 	<p><b>Intercity Products</b> <b>65 CFM STOCK NO. 776</b></p> <ul style="list-style-type: none"> <li>• 1/50-230-60-1-3200 • AMPS .4</li> <li>• Sleeve Bearing • Replaces: Fasco A151, Heil Quaker/Intercity Products No. HQ1050144UN, Whirlpool</li> </ul> 
<p><b>Intercity Products</b> <b>75 CFM STOCK NO. 9446</b></p> <ul style="list-style-type: none"> <li>• 1/50-208-230-60-1-3000 • AMPS .61</li> <li>• Sleeve Bearing • Replaces: Fasco A148, 7021-7617</li> </ul> 	<p><b>Janitrol</b> <b>90 CFM STOCK NO. 582</b></p> <ul style="list-style-type: none"> <li>• 1/40-115/230-60-1-3000</li> <li>• AMPS 1.0/0.5 • Ball Bearing • Replaces: Arkla, Tappan SJC, Heil-Quaker No. HQ601073UN, Janitrol 11429-32, Fasco A073</li> </ul> 	<p><b>Johnson Furnace</b> <b>90 CFM STOCK NO. 464</b></p> <ul style="list-style-type: none"> <li>• 1/60-208-230-60-1-3000 • AMPS 0.55</li> <li>• Ball Bearing • Replaces: Johnson Furnace 8973C, 80280 (Requires mounting flange No. 1631A), York No. 026-22239B</li> </ul> 	<p><b>Lennox</b> <b>130 CFM STOCK NO. 9496</b></p> <ul style="list-style-type: none"> <li>• 1/10-208-230-60-1-3000 • AMPS 0.55</li> <li>• Ball Bearing • PSC Motor • Replaces: JF1E021, Lennox 28G6601</li> </ul> 

**Note:**

For mounting dimensions see pages 23-24, for CFM data see pages 25-26.

# OEM Direct Replacement Centrifugal Blowers

<p><b>Nordyne</b> <b>60 CFM</b>      <b>STOCK NO. 9444</b></p> <ul style="list-style-type: none"> <li>• 1/100-115-60-1-3000 • AMPS 0.6</li> <li>• Sleeve Bearing • Replaces: Fasco 50747-D600, Nordyne</li> </ul> 	<p><b>Nordyne</b> <b>85 CFM</b>      <b>STOCK NO. 9454</b></p> <ul style="list-style-type: none"> <li>• 1/50-115-60-1-3000 • AMPS 1.1</li> <li>• Sleeve Bearing • Replaces: Fasco A131, 7021-9132, Nordyne</li> </ul> 	<p><b>Nordyne</b> <b>90 CFM</b>      <b>STOCK NO. 512A</b></p> <ul style="list-style-type: none"> <li>• 1/50-115-60/50-1-3000 • AMPS 1.0/0.77 • Ball Bearing • Replaces: Nordyne/Miller No. 303875000, UE JA1M151</li> </ul> 	<p><b>Nordyne</b> <b>90 CFM</b>      <b>STOCK NO. 965</b></p> <ul style="list-style-type: none"> <li>• 1/20-115-60-1-3400 • AMPS 0.7</li> <li>• Sleeve Bearing • Direct OEM Replacement</li> <li>• Includes Lead and Plug Assembly</li> <li>• Capacitor Included</li> <li>• Replaces: UE JE1C003, Nordyne 6216490, 6214080</li> </ul> 
<p><b>Nordyne</b> <b>120 CFM</b>      <b>STOCK NO. 9445</b></p> <ul style="list-style-type: none"> <li>• 1/55-120-60-1-3100 • AMPS 0.8</li> <li>• Sleeve Bearing • Replaces: Fasco 50746-D500, Nordyne</li> </ul> 	<p><b>Rheem</b> <b>90 CFM</b>      <b>STOCK NO. 9438</b></p> <ul style="list-style-type: none"> <li>• 1/50-115-60-1-2975 • AMPS 1.1</li> <li>• Sleeve Bearing • Replaces: Fasco A090, 7021-5239, UE JA1M102, Rheem 7021496-01</li> </ul> 	<p><b>Rheem</b> <b>100 CFM</b>      <b>STOCK NO. 577</b></p> <ul style="list-style-type: none"> <li>• 1/50-115-60-1-3000 • AMPS 1.0</li> <li>• Sleeve Bearing • Replaces: Rheem 21504-03-04, 21496-03-01, Goodman B185900 Fasco A079, 7021-6804, UE JA1M106, JA1M137</li> </ul> 	<p><b>Trane</b> <b>69 CFM</b>      <b>STOCK NO. 774</b></p> <ul style="list-style-type: none"> <li>• 1/50-208-240-60-1-3000 • AMPS 0.42</li> <li>• Sleeve Bearing • Replaces: UE JA1C161, UE JA1C158, Packard 82252, Fasco A069, Trane X3804-0252-02</li> </ul> 
<p><b>Trane</b> <b>70 CFM</b>      <b>STOCK NO. 989</b></p> <ul style="list-style-type: none"> <li>• 1/80-115-60-1-3000 • AMPS 0.50</li> <li>• Sleeve Bearing • O.E.M. Replacement</li> <li>• Replaces: Fasco B75, Trane, Johnstone X89-308</li> </ul> 	<p><b>Trane</b> <b>75 CFM</b>      <b>STOCK NO. 775</b></p> <ul style="list-style-type: none"> <li>• 1/50-230-60-1-3000 • AMPS .50</li> <li>• Ball Bearing • Replaces: UE JB1C061, Packard 82005, Fasco A075, Trane X38050005</li> </ul> 	<p><b>Trane</b> <b>85 CFM</b>      <b>STOCK NO. 9457</b></p> <ul style="list-style-type: none"> <li>• 1/20-115-60-1-3350 • AMPS 0.7</li> <li>• Plastic Housing • Sleeve Bearing</li> <li>• Replaces: Fasco A130, 7062-3956, Trane</li> </ul> 	<p><b>Trane</b> <b>98 CFM</b>      <b>STOCK NO. 9447</b></p> <ul style="list-style-type: none"> <li>• 1/30-208-230-60-1-3000 • AMPS 0.6</li> <li>• Ball Bearing • Replaces: Fasco A150, 7021-7833</li> </ul> 
<p><b>Trane</b> <b>100 CFM</b>      <b>STOCK NO. 577</b></p> <ul style="list-style-type: none"> <li>• 1/50-115-60-1-3000 • AMPS 1.0</li> <li>• Sleeve Bearing • Replaces: Rheem 21504-03-04, 21496-03-01, Goodman B185900 Fasco A079, 7021-6804, UE JA1M106, JA1M137</li> <li>• Trane B1W24, WG94X167</li> </ul> 	<p><b>Trane</b> <b>100 CFM</b>      <b>STOCK NO. 673</b></p> <ul style="list-style-type: none"> <li>• 1/25-115-60-1-3000 • AMPS 1.0</li> <li>• Sleeve Bearing • OEM Replacement For Rheem 51-21504-01</li> <li>• Trane</li> </ul> 	<p><b>Williamson Furnace</b> <b>80 CFM</b>      <b>STOCK NO. 999</b></p> <ul style="list-style-type: none"> <li>• 1/15-115-60-1-3000 • AMPS 1.1</li> <li>• Sleeve Bearing • Replaces: Fasco A080, 7021-5510, Williamson 02-568, Johnstone S88-841</li> </ul> 	<p><b>Williamson Furnace</b> <b>80 CFM</b>      <b>STOCK NO. 998</b></p> <ul style="list-style-type: none"> <li>• 1/15-115-60-1-3000 • AMPS 1.8</li> <li>• Sleeve Bearing • Replaces: Fasco A118, 7021-6999, 7021-7042, Williamson, Johnstone X89-520</li> </ul> 
<p><b>York</b> <b>65 CFM</b>      <b>STOCK NO. 771</b></p> <ul style="list-style-type: none"> <li>• 1/70-208-230-60-1-3000 • AMPS .49</li> <li>• Ball Bearing • Replaces: UE JB1C071, UE JB1C072, Packard 82239, Fasco A063, York 026-22239700</li> </ul> 	<p><b>York</b> <b>83 CFM</b>      <b>STOCK NO. 770</b></p> <ul style="list-style-type: none"> <li>• 1/70-208-230-60-1-3000 • AMPS .49</li> <li>• Ball Bearing • Replaces: UE JB1C029, Fasco A083, 7021-1373, York 026-20224700, York 026-16323-0000</li> </ul> 	<p><b>York</b> <b>90 CFM</b>      <b>STOCK NO. 408</b></p> <ul style="list-style-type: none"> <li>• 1/40-115/208-230-60/50-1-3000</li> <li>• AMPS 0.86/0.43 • Ball Bearing</li> <li>• Replaces: York, Fasco B23618</li> </ul> 	<p><b>York</b> <b>90 CFM</b>      <b>STOCK NO. 9455</b></p> <ul style="list-style-type: none"> <li>• 1/30-208-230-60-1-3000 • AMPS 0.6</li> <li>• Sleeve Bearing • Lead and plug assembly included • Replaces: Fasco A144, 7021-6770, York</li> </ul> 

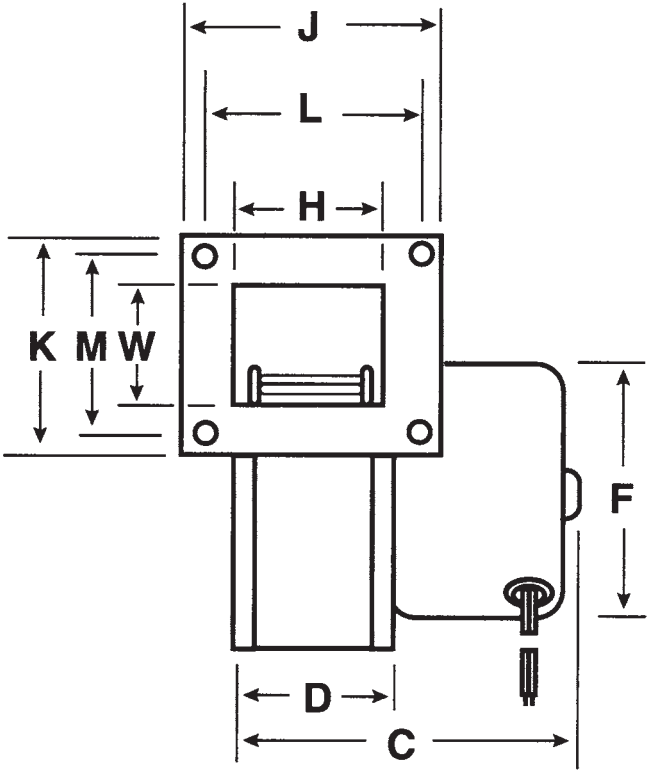
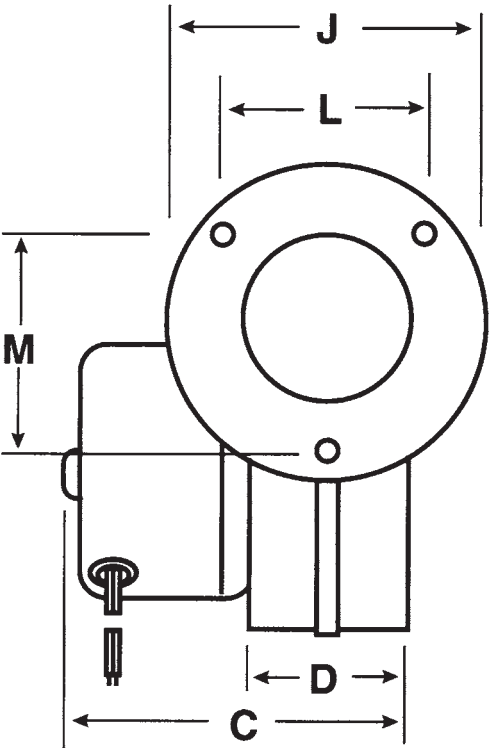
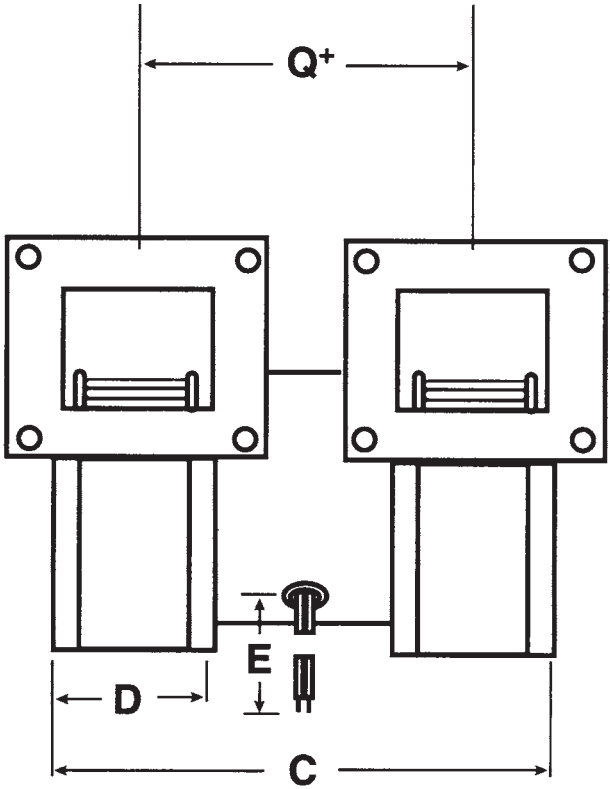
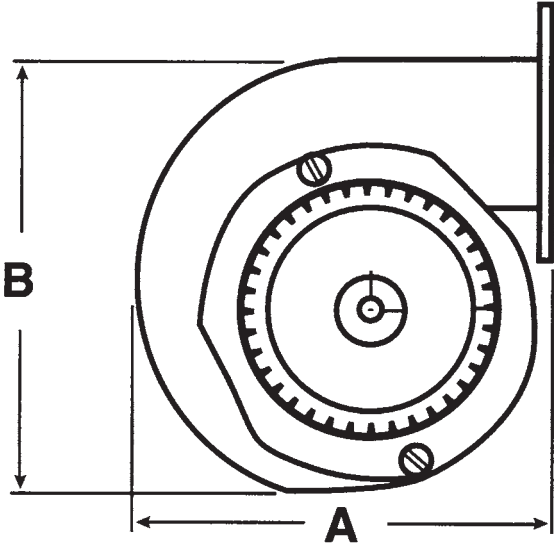
**Note:**  
For mounting dimensions see pages 23-24, for CFM data see pages 25-26.



# Blower Reference Dimensions

Stock No.	A	B	C	D	E	F	J	K	L	M	H	W
12	6.27	5.72	4.50	2.33	12.00	3.38					2.21 Dia	
13	6.27	5.72	5.34	2.33	12.00	3.38					2.21 Dia	
383	6.39	5.72	5.36	2.33	12.00	3.38	3.00	3.00	2.12	2.12	2.21 Dia.	
408	6.27	5.72	8.53	2.33	12.00	3.38					2.21 Dia	
414	6.27	5.72	6.14	2.33	74.00	3.38					2.21 Dia	
458	7.84	8.00	6.61	3.38	12.00	3.38	4.75	4.80	4.12	1.47		
459A	8.51	9.27	7.48	4.22	12.00	3.38	5.50	5.00	4.87	4.37		
460	8.56	9.31	9.49	8.00	12.00	3.38	9.43	5.00	8.81	4.38		
464	6.27	5.72	6.75	2.33	24.00	3.38					2.21 Dia	
512A	6.27	5.72	7.68	2.33	6.00	3.38					2.21 Dia	
577	7.10	7.60	5.89	1.75	23.00	3.38					1.75	2.71
582	6.27	5.72	5.04	2.33	36.00	3.38					2.21 Dia	
673	7.09	7.60	5.89	1.75	23.00	3.38					1.75	2.71
770	6.39	5.72	9.17	2.33	30.00	3.38	4.00		2.30	2.77		
771	6.39	5.72	6.68	2.33	30.00	3.38	4.00		2.30	2.77		
774	6.39	5.72	5.74	2.33	80.00	3.38	3.00	3.00	1.94	1.94		
775	6.39	5.72	7.15	2.33	60.00	3.38	3.00	3.00	1.94	1.94		
776	6.39	5.72	5.49	2.33	25.00	3.38	3.00	3.00			2.00 Dia.	
959	7.10	7.60	6.20	1.75	12.00	3.38	2.47	3.75	1.13	3.25	1.75	2.72
960	7.10	7.60	6.35	1.75	12.00	3.38	2.47	3.75	1.13	3.25		
961	7.10	7.60	6.15	1.75	5.00	3.38					1.75	2.71
965	9.27	8.77	6.16	2.62	12.00	3.38					2.17 Dia.	
989	5.25	5.54	5.92	2.75	12.00	3.38	4.00	3.50	3.38	2.88		
997	7.10	7.60	5.71	1.75	29.00	3.38					1.75	2.71
998	8.59	9.31	5.93	1.50	12.00	3.38					1.50	3.62
999	7.09	7.60	5.71	1.75	11.00	3.38					1.75	2.71
9411	8.56	9.31	7.38	4.22	12.00	3.38	5.50	5.00	4.87	4.37		
9412	8.51	9.27	9.49	8.00	12.00	3.38	9.43	5.00	8.81	4.38		
9413	5.25	5.54	6.61	3.31	8.50	3.38	4.60	3.50	3.97	2.88		
9430	7.13	7.49	6.09	1.75	20.00	3.38					1.75	2.71
9437	4.47	5.00	13.88	4.10	30.00	3.38	13.88	4.00	13.25	3.50	Q=8.25	
9438	7.10	7.60	5.71	1.75	30.00	3.38					1.75	2.71
9443	6.32	5.72	5.10	2.33	7.00	3.38	4.00		2.30	2.77		
9444	6.15	5.72	5.09	2.33	19.00	3.38						
9445	6.32	5.72	8.48	2.33	19.00	3.38	4.00		2.38	2.81	Q=6.13	
9446	7.13	7.61	5.71	1.75	6.00	3.38					1.75	2.71
9447	7.10	7.61	5.54	1.75	25.50	3.38					1.75	2.73
9448	5.51	6.54	13.78	4.10	24.00	3.38	13.78	5.34	6.59	4.37	Q=8.26	
9454	7.10	7.60	5.90	1.84	12.00	3.38					1.75	2.598
9455	7.10	7.60	7.75	1.75	34.00	3.38					1.75	2.71
9457	9.27	8.77	6.16	2.62	14.00	3.38					2.17 Dia.	
9458	7.10	7.60	6.87	2.42	12.00	3.38					2.42	2.71
9459	10.18	11.68		8.21	13.00	3.38	9.33	5.63	8.80	5.00		
9460	6.32	5.72	5.89	2.33	73.00	3.38	3.00	3.00	2.30	2.30		
9461	6.32	5.72	5.10	2.33	7.00	3.38	4.00		2.30	2.77		
9462	6.39	5.72	6.83	2.33	7.50	3.38	4.00		2.31	2.81		
9465	10.18	11.03	9.05	5.13	13.00	4.31	6.60	5.63	6.00	5.00		
9466	10.18	11.03	7.77	3.90	13.00	4.31	5.30	5.60	4.70	5.30		
9467	10.18	11.66	8.75	3.90	13.00	3.38	4.42	5.63			4.00	4.37
9468	7.07	7.56	6.88	3.00	7.50	3.38	4.40	4.00	3.76	3.40		
9470	6.32	5.71	5.37	2.33	7.00	3.38	4.00		2.30	2.77		
9471	10.18	10.51	4.10	2.65	13.00	3.38					2.65	4.37
9477	13.34	15.09	11.70	7.25	7.00	5.00					7.25	5.91
9478	10.18	11.03	10.92	5.13	13.00	3.38	6.60	5.63	6.00	5.00		
9483	6.27	5.72	8.76	2.33	12.00	3.38					Q=6.43	
9486	7.84	8.00	10.85	3.38	20.00	3.38	4.75	4.80	4.12	1.47		
9491	10.18	11.03	9.25	5.13	13.00	4.31	6.60	5.63	6.00	5.00		
9492	6.41	6.81	6.12	2.60	7.50	3.38	5.13	4.00	4.11	1.50	2.54	2.5
9493	6.41	6.81	6.12	2.60	7.50	3.38	5.13	4.00	4.11	1.50	2.54	2.5
9495	7.13	7.61	5.71	1.75	35.00	3.38					1.75	2.71
9496	7.10	7.61	8.33	1.75	29.00	3.38					1.75	2.71
9619	9.27	8.77	5.98	2.62	20.00	3.38	2.62				2.17 dia.	
9620	9.27	8.77	5.98	2.62	19.00	3.38	2.62				2.17 dia.	
9621	9.27	8.77	5.98	2.62	20.00	3.38	2.62				2.17 dia.	
9622	9.27	8.77	5.98	2.62	20.00	3.38	2.62					

# Blower Reference Diagrams



# CFM Specifications for Blowers

CFM	NAMEPLATE STATIC PRESSURE (INCHES OF WATER)										Cutoff	Volts	Hertz	Speeds	AMPS@ Free air	Stock #
	0.1	0.2	0.3	0.4	0.5	0.6	0.7	0.8	0.9	1.0						
55	53	51	49	45	42	38						115	60/50	1	0.3	12
90	79	76	72	68	64	59	54	48	38	24		115	60	1	1.0	13
90	80	74	68	65	63	57	52	48	40	19		115	60	1	1.0	383
90	68	65	62	54	50	46	41	35	23			115/208-230	60/50	1	0.9/0.4	408
85/55	63	59	53	49	45	39	26	19				115	60	2	0.7/0.5	414
160												115	60/50	1	1.2/1.4	458
265												115	60/50	1	2.1/1.9	459A
460												115	60/50	1	3.3/2.7	460
90	78	75	71	68	65	60	54	46	38	22		208-230	60	1	0.6	464
90	77	73	70	67	63	59	53	47	38	24		115	60/50	1	1.0/.8	512A
100	83	79	76	72	69	66	63	61	57	53		115	60	1	1.0	577
90												115/230	60	1	1.0/0.5	582
90	90	86	80	77	73	71	67	64	60	56		115	60	1	1.0	673
83	62	60	56	52	48	43	39	32	20	0		208-230	60	1	0.5	770
65	75	70	66	62	58	55	51	46	39	27		208-230	60	1	0.5	771
69	70	67	63	60	56	52	46	40	32	19		208-240	60	1	0.4	774
75	72	70	67	62	59	54	49	43	32	22		230	60	1	0.5	775
65	58	54	50	48	43	39	34	27	17	12		230	60	1	0.4	776
95												115	60	1	0.9	959
105												115	60	1	1.4	960
100												115	60	1	0.9	961
75												115	60	1	0.9	962
90												115	60	1	0.7	965
105												115	60	1	1.7	967
70	61	55	51	43	19							115	60	1	0.5	989
159	152	142	131	109	78							230	60	1	0.5	996
64	57	55	53	53								115	60	1	0.6	997
118	120	117	114	110	109	105	102	100	97	95		115	60	1	1.8	998
80	79	77	75	73	72	70	68					115	60	1	1.1	999
160	139	126	114									230	60/50	1	0.8/0.7	9410
265	223	205	181	175								230	60/50	1	1.1/0.9	9411
460	447	411	368	300	281							230	60/50	2	1.18/1.6	9412
148	14	109	104	97	90	82	69					115	60/50	1	1.8/1.5	9413
90												115	60	1	1.4	9429
105	118	113	110	108	104	101	98	96	93	90		208-230	60	1	0.6	9430
80	79	78	77	75	73	71	68					115	60	1	1.0	9436
250												120	60	1	1.8	9437
90	88	85	82	79	76	73	70	69				115	60	1	1.1	9438
70	72	69	66	63	58							120	60	1	1.1	9441
60	38	35										208-240	60/50	1	0.3/0.3	9443
60	53	50	49	47	45	43						115	60	1	0.6	9444
120	78	71	64	52								120	60	1	0.8	9445
75	93	90	87	84	81	78	75	72				208-230	60	1	0.6	9446
98	85	82	79	76	73	71	68					208/230	60	1	0.6	9447
400	390	368	356	340	323	305	288	270				120	60	1	3.8	9448
60	65	64	63	62	61	60	58	55	50			115	60/50	1	1.1/0.9	9453
85	85	83	81	78	77	75	73	71				115	60	1	1.1	9454
90	87	84	82	81	78	77	74	72				208-230	60	1	0.6	9455
85	85	84	82	81	80	78	77	75	74			115	60	1	0.7	9457
150	135	130	128	128	126							115	60	1	1.8	9458
760/545	697	681	655	620	583	544	490	390				115	60/50	2	3.2	9459
70	62	60	56	53								120	60	1	0.7	9460
60	41	35										115	60	1	0.5	9461
65	55	54	53	51	50	49	48					115	60	1	0.8	9462
65	54	53	51	49	47	44						115	60	1	0.8	9463
495	410	374	335	285	270							115	60/50	1	3.4/3.8	9465
350	314	299	282	263	243	227						115	60/50	1	3.0/2.8	9466
326	264	250	222	198	190							115	60/50	1	1.1	9467
135	125	126	126	122	121							115	60/50	1	1.3	9468

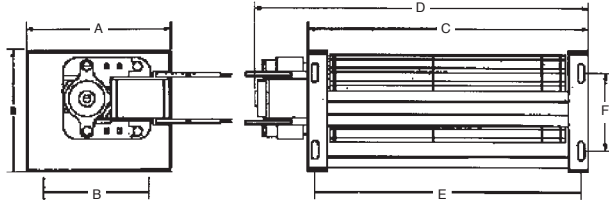
# CFM Specifications for Blowers

CFM	NAMEPLATE STATIC PRESSURE (INCHES OF WATER)										Cutoff	Volts	Hertz	Speeds	AMPS@ Free air	Stock #
	0.1	0.2	0.3	0.4	0.5	0.6	0.7	0.8	0.9	1.0						
60	42	40	39	38								115	60/50	1	0.6/0.8	9470
180	158	146	134	125	120							115	60	3	2/1.3/1	9471
1000	928	890	853	828	789	739	682	528	458			115/230	60	1	4.0/2.0	9477
455	412	391	369	346	316	294						115	60/50	2	1.5	9478
160	142	127	118	106								230	60	1	0.6	9479
105	83	68	46									115	60	1	0.6	9480
80	66	45										115	60	2	0.6/1.4	9482
150	132	125	118	113								115	60	1	1.1	9483
320												115	60	1	1.3	9486
500	399	379	358	331	306							230	60/50	2	1.6/1.0	9490
500	409	381	354	330	299							115	60/50	2	3.5/2.2	9491
140	100	96	92	87	83	77	71	70				115	60/50	1	1.0	9492
140	99	95	90	85	80	73	67	64				208-240	60/50	1	0.5	9493
85												115	60	1	1.2	9495
130												208-230	60	1	.55	9496
320												230	60/50	1	0.7	9497
250												115	60/50	1	0.6	9498
90	78	77	76	74	73	71	70	69	67	65		115	60	1	1.35	9619
90	81	80	78	77	75	74	72	71	69	68		115	60	1	1.73	9620
90	78	77	76	74	73	71	70	69	67	65		115	60	1	1.35	9621
90	81	80	78	77	75	74	72	71	69	68		115	60	1	1.73	9622

## Crossflow/Tangential Blower

- Features:**
- Sleeve Bearing (Lubricant range from -40° to 400°F)
  - UL Listed and CSA Certified
  - 16 Mounting slots allow for Top, Bottom, Front, and Back Mounting (slot size .218 x .562 long)

- Applications:**
- Refrigeration, Food Service, Gas and Wood Burning Stoves and Fireplaces.
  - Recommended Temp.: 30-150°F



J504



J507, J510, J513

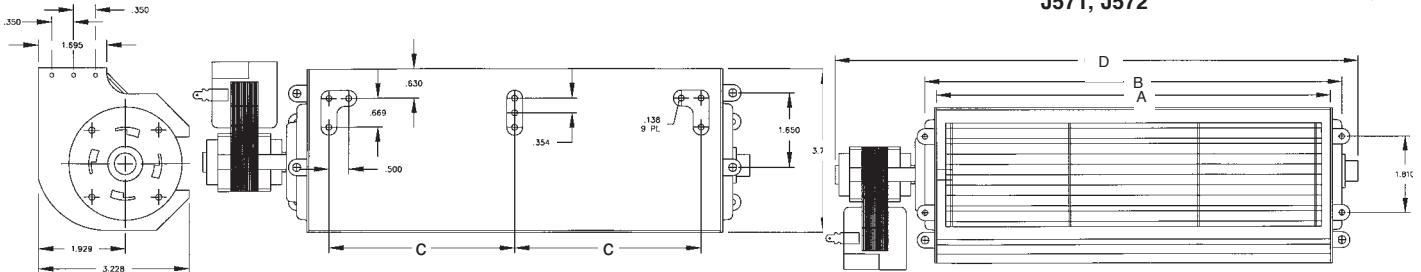
Stack Size	CFM	RPM	Volts	Amps	Stock No.	Wheel Length	Dimensions				Mounting Slots		
							A	B	C	D	E	F	G
7/8"	80	2600	120	0.50	J504	4.5"	4-1/4	3-1/2	6-1/8	7-9/16	5-3/4	2-1/4	3
7/8"	120	2600	120	0.90	J507	7"	4-1/4	3-1/2	8-5/8	11	8-1/4	2-1/4	3
1-1/8"	160	2600	120	1.15	J510	10"	4-1/4	3-1/2	11-5/8	13-15/16	11-1/4	2-1/4	3
1-1/2"	220	2600	120	1.25	J513	13"	4-1/4	3-1/2	14-5/8	17-5/8	14-1/4	2-1/4	3

## Crossflow Blower

- Features:**
- UL Listed and CSA Certified
  - Sleeve Bearing (Lubricant range from -40° to 400°F)
- Applications:**
- J571 and J572 are 180mm for Use in Electric Heat Applications
  - J591 and J592 are 240mm for Use in Gas and Wood Fireplace Applications



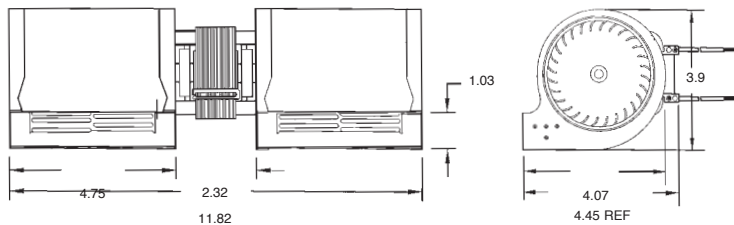
J591, J592,  
J571, J572



Stack Size	CFM	RPM	Volts	Amps	Stock No.	Wheel Length	A	B	C	D
1/2"	73	1800	120	0.38	J571	7"	7-1/8	7-9/16	3	9-13/16
1/2"	64/73	1800	208-240	0.16-0.2	J572	7"	7-1/8	7-9/16	3	9-13/16
1-1/8"	116	3100	120	1.1	J591	9.4"	9-17/32	10	4-3/16	12-7/8
1-1/8"	116	3100	240	0.64	J592	9.4"	9-17/32	10	4-3/16	12-7/8

## Centrifugal Blower

- Features:**
- Motors are UL Listed and CSA Certified
  - Sleeve Bearing (Lubricant range from -40° to 400°F)
  - Mounting Accessories Package with Blower
  - Recommended Application Temp. 30-150°F
  - Capable of Higher Static Pressure than Crossflow Type Blowers



J573

Stack Size	CFM	RPM	Volts	Amps	Stock No.
1-1/8"	130	2700	120	1.1	J573

# 3-3/8" Diameter Stock Motors

## Draft Inducer Motors (With Switch)

### Features:

- Draft Inducer Motors
- Fan & Blower Duty
- Shaded Pole

OEM replacement for Lear Siegler-Miller, Intertherm, Coleman, Carrier, York, Johnson, Mid-Continent, Duotherm, Preway and others.



349  
(Coleman)  
2.63 B.C.



335 (Miller)



553



357  
(Mid Continent)

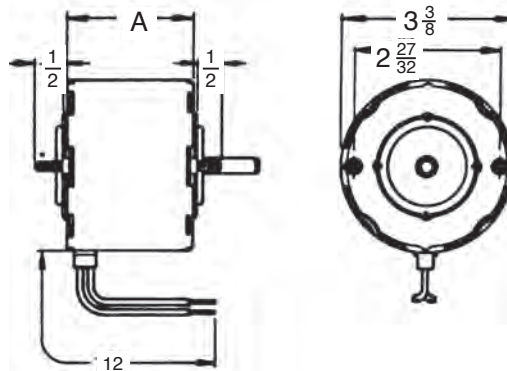


570 (Carrier)  
571 (Carrier)  
660 (Rheem) (Carrier)  
653 (Rheem)  
9409 (York)

HP	RPM	Speeds	Volts	Amps	Stock Number	Shaft Dia. & Length	Rotation	"A" Dim.	Notes
1/125	3000	1	115	.46	349	1/4 x 2-1/2	CWSE	4-3/4	3,18
1/50	3000	1	115/230	.81/.46	553	1/4 x 1-1/2	CWSE	5-3/8	2
1/40	3000	1	115	.83	335	5/16 x 1-1/2	CCWSE	4-3/4	3
1/30	3000	1	115	1.1	357	1/4 x 1-1/2	CWSE	4-3/4	3
1/20	3000	1	115/230	1.8/.92	570	1/4 x 2-1/2	CWSE	6	2,3,18
1/20	3000	1	115/230	1.8/.92	571	1/4 x 2-1/2	CCWSE	6	2,3,18
1/20	3000	1	230/460	1.0/.51	653	1/4 x 2-1/4	CCWSE	6	2,3,18
1/15	3000/3430	1	230/460	1.0/.51	660	1/4 x 2-1/4	CWSE	6	2,3,18
1/15	3000	1	460	.7	9409	1/4 x 2-1/2	CCWSE	6-1/8	2,3

### Notes:

2. Ball Bearings
3. Special OEM Replacement Motor (see pages 94-132)
18. Includes 1/4 - 5/16" Bushing



# 3-3/8" Diameter Stock Motors

## Draft Inducer Motors (With Switch)

### Features:

- Fan & Blower Duty
- Permanent Split Capacitor

OEM replacement for Carrier, Trane, York and others.



371, 374, 433



778 (CARRIER)



9525 (YORK)



9526 (YORK)

HP	RPM	Speeds	Volts	Amps	Stock Number	Shaft Dia. & Length	Rotation	Capacitor	"A" Dim.	Notes
1/20	1550	1	115/208-230	.71/.34-.38	433	1/4 x 4-1/4	REV	Included	6-3/8	2,18
1/16	3450	1	208-230	.41	778	1/4 x 3-3/4	CWSE	Included	6	2,3,18
1/8	3000	1	115	1.8	374	1/4 x 3-3/4	REV	Included	6-1/2	2,18
1/8	3000	1	208-230	.89	371	1/4 x 3-3/4	REV	Included	6-1/2	2,18
1/10	3400	1	460	.36	9526	3/8 x 8-3/4	CCWSE	Included	7-1/8	2,3,166
1/12	3400	1	460	.30	9525	1/4 x 2-1/2	CCWSE	Included	7	2,3,166

## Draft Inducer Motors (Without Switch)

### Features:

- Fan & Blower Duty
- Shaded Pole & Permanent Split Capacitor
- 60 Hz

OEM replacement for: Lear Siegler-Miller, Intertherm, Coleman, Carrier, York, Trane Miller, Johnson, Mid-Continent, Duotherm, Preway and others.



773 (TRANE)



579, 580 BDP/CARRIER

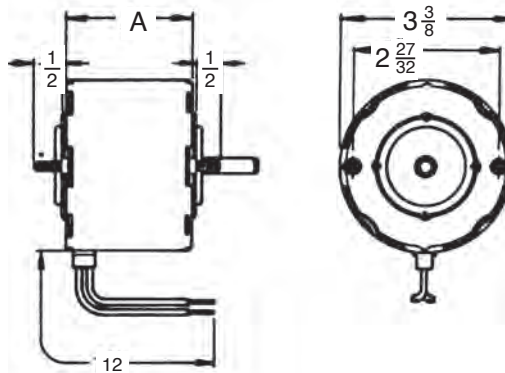


964 LENNOX/TRANE

HP	RPM	Speeds	Volts	Amps	Stock Number	Shaft Dia. & Length	Rotation	Capacitor	"A" Dim.	Notes
1/50	3300	1	115	1.4	579	5/16 x 2-1/4	CWSE	Shaded Pole	3-1/4	3,4
1/20	3300	1	115	1.8	580	5/16 x 2-1/8	CWSE	Shaded Pole	3-3/4	3,4
1/15	3400	1	120	0.85	964	5/16 x 1-1/2	CWSE	3MFD 300V	4-5/8	2,3

### Notes:

2. Ball Bearings
3. Special OEM Replacement Motor (see pages 94-132)
4. Supplied with Lead & Plug Assembly
18. Includes 1/4 - 5/16" Bushing
166. No Conduit Box



# 3-3/8" Diameter Stock Motors

## Open Ventilated Fan & Blower Duty

### Features:

- Continuous Duty, Air Over
- Shaded Pole

OEM replacement for Nutone, Broan, Fedders, McQuay, Bohn, Witt Coil, American Standard, Miami Carey, Duotherm, Coleman, Phil Rich, Chrysler and others.

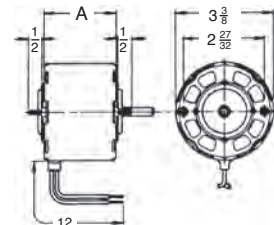


HP	RPM	Speeds	Volts	Amps	Stock Number	Shaft Diameter & Length	Rotation	"A" Dim.	Notes
1/100	3000	1	115	.55	308	1/4 x 3-1/2	CCWSE	2-1/8	
1/100	3000	1	120	.69	985	1/4 x 3-1/2	CCWSE	2-1/8	
1/88	1320	1	115	.60	636	1/4 x 1-1/4	CWSE	2	3,4
1/80	3000	1	115	.55	541	1/4 x 2	CWSE	2-1/2	3
1/75	1550	1	115	.60	540	1/4 x 2-1/2	CWSE	2	
1/75	1550	1	115	.62	370	1/4 x 2-1/2	CCWSE	2-1/8	
1/70	1550	1	115	.70	14	1/4 x 2-1/2	CWSE	2-1/8	
1/70	1550	1	115	.60	15	1/4 x 2-1/2	CCWSE	2-1/8	
1/70	3000	1	115	.62	32	1/4 x 2-1/2	CWSE	2-1/2	
1/70	3000	1	115	.62	33	1/4 x 2-1/2	CCWSE	2-1/2	
1/60~1/100~1/150	900	3	115	1.3-.95-.65	369	5/16 x 2-1/2	CCWSE	3-3/8	
1/50	1400	1	120	.73	633	5/16 x 1-5/16	CWSE	2-1/2	3
1/50	1550	1	115	.75	18	1/4 x 2-1/2	CWSE	2-1/2	
1/50	1550	1	115	.75	19	1/4 x 2-1/2	CCWSE	2-1/2	
1/45	1625	1	120	1.3	632	1/4 x 1-1/2	CCWSE	2-3/4	3
1/40	1550	1	115	1.1	26	5/16 x 2-1/2	CWSE	2-1/2	
1/40	1550	1	115	1.0	27	5/16 x 2-1/2	CCWSE	2-1/2	
1/40~1/60	1550	2	115	1.0-.70	81	5/16 x 2-1/2	CCWSE	2-1/2	
1/40	1500	1	230	0.7	949	1/4 x 2-1/4	CWSE	2-1/4	6
1/40	3000	1	115	.92	36	1/4 x 2-1/2	CWSE	3-1/8	
1/30	1550	1	115	1.1	28	5/16 x 2-1/2	CWSE	2-1/2	
1/30	1550	1	115	1.2	29	5/16 x 2-1/2	CCWSE	2-1/2	
1/30~1/50~1/75	3000	3	115	1.6-.74-.43	462	1/4 x 2-1/2	CCWSE	2-1/2	

### Notes:

3. Special OEM Replacement Motor (see pages 94-132)
4. Supplied with Lead & Plug Assembly
6. 60/50 HZ

Continues on next page



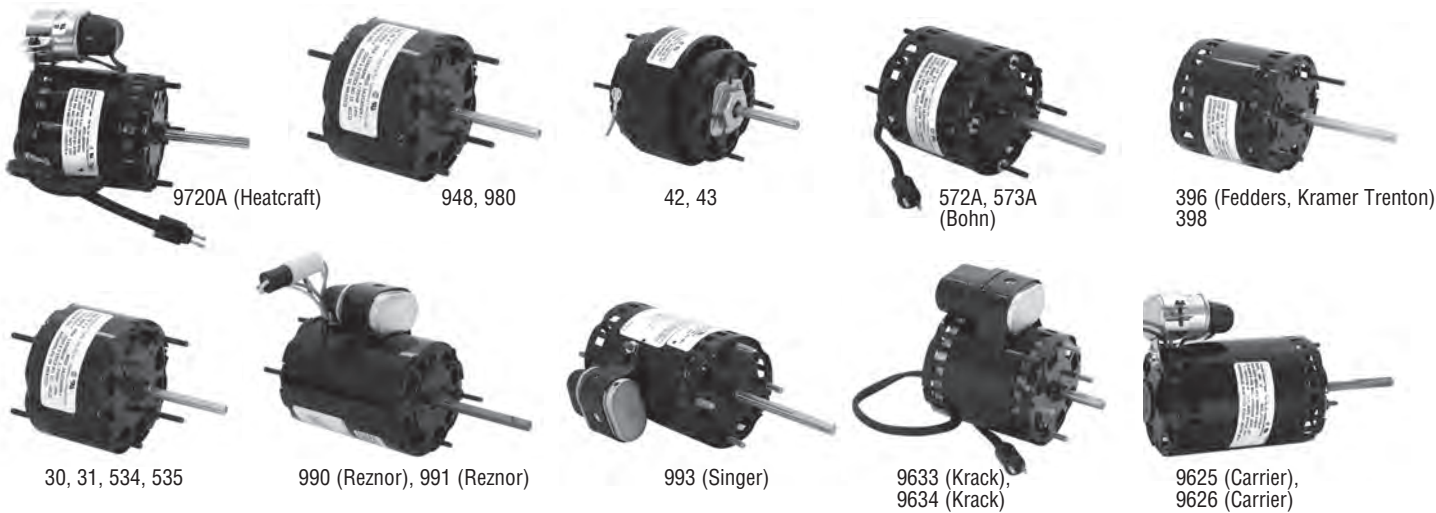
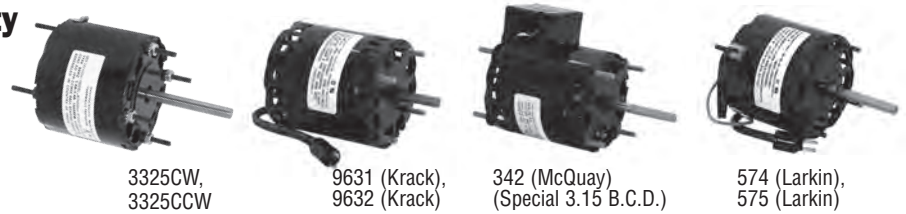


## Open Ventilated Fan & Blower Duty

### Features:

- Continuous Duty, Air Over
- Shaded Pole & PSC

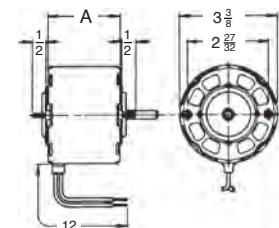
OEM replacement for American Standard, Bohn, Broan, Chrysler, Coleman, Duotherm, Fedders, McQuay, Miami Carey, Nutone, Phil Rich, Whitt Coil and others.



HP	RPM	Speeds	Volts	Amps	Stock Number	Shaft Diameter & Length	Rotation	"A" Dim.	Notes
1/25	1550	1	115	1.6	30	5/16 x 2-1/2	CWSE	2-5/8	
1/25	1550	1	115	1.9	31	5/16 x 2-1/2	CCWSE	2-5/8	
1/25-1/50	1550	1	115	1.6-1.4	3325CW	5/16 x 2-1/2	CWSE	2.75	<b>NEW!</b>
1/25-1/50	1550	1	115	1.6-1.4	3325CCW	5/16 x 2-1/2	CCWSE	2.75	<b>NEW!</b>
1/25~1/30~1/40	1550	3	115	1.8-1.3-1.0	534	5/16 x 2-1/2	CWSE	3	2
1/25~1/30~1/40	1550	3	115	1.8-1.3-1.0	535	5/16 x 2-1/2	CCWSE	3	2
1/25	3000	1	230	.67	980	1/4 x 2-1/4	CWSE	3	
1/20	1550	1	115	1.9	572A	5/16 x 3	CWSE	3	3,4
1/20	1550	1	115	1.6	574	5/16 x 2-1/2	CCWSE	2-3/4	3,4,150
1/20	1450	1	208-230	1.1	396	5/16 x 2-1/2	CWSE	3-1/4	3,4
1/20	1450	1	208-230	1.1	398	5/16 x 2-1/2	CCWSE	3-1/8	
1/20	1550	1	208-230	.90	575	5/16 x 2-1/2	CCWSE	2-3/4	3,4,150
1/16	3450	1	208-230	0.48	9626	5/16 x 3-1/4	CCWSE	4-7/8	2,3,68,239,327
1/16	3450	1	460	0.25	9625	5/16 x 3-1/4	CCWSE	4-7/8	2,3,68,150,239,327
1/15	1550	1	115	2.2	42	5/16 x 2-1/2	CWSE	3-1/8	
1/15	1550	1	115	2.3	43	5/16 x 2-1/2	CCWSE	3-1/8	
1/15	1630	1	115	2.1	9631	5/16 x 1-1/2	CWSE	3-5/8	3,4,150
1/15	1640	1	115	0.7	9633	5/16 x 1-1/2	CWSE	3-5/8	3,4,68,150
1/15	1550	1	115/230	1.9/90	342	5/16 x 2-1/2	CWSE	3-3/4	3,200
1/15	1550	1	208-230	1.2	9632	5/16 x 1-1/2	CWSE	3-5/8	3,4,150
1/15	1550	1	208-230	1.3	573A	5/16 x 3	CWSE	3-5/8	3,4
1/15	1640	1	208-230	0.3	9634	5/16 x 1-1/2	CWSE	3-5/8	3,4,68,150
1/15	3000	1	230	1.2	948	1/4 x 2-1/4	CWSE	3	150
1/12	1550	1	208-230	0.5	9720A	5/16 x 2-5/8	CCWSE	3-5/8	3,4,68,150
1/10	1550	1	230	1.0	993	5/16 x 3-3/4	REV	4-7/8	3,68,239
1/10	3200	1	115	1.5	991	5/16 x 3-1/4	REV	4-1/4	2,3,68,239
1/10	3200	1	208-230	0.63	990	5/16 x 3-1/4	REV	4-3/8	2,3,68,239

### Notes:

2. Ball bearings
3. Special OEM Replacement Motor (see pages 94-132)
4. Supplied with lead & plug assembly
68. PSC motor
150. Rated 50/60 HZ
200. Has special 3.15" bolt circle
239. Capacitor attached
327. Carrier Sensor Assembly (50HJ 401 484) not included



# 3-3/8" Diameter Stock Motors

## Totally Enclosed Fan & Blower Duty

### Features:

- Continuous Duty, Air Over
- Dependable Quiet Sleeve Bearings
- Shaded Pole • Totally Enclosed Construction • 60 Hz
- Single Shaft • 115 & 230 V

**Applications:** Where high humidity or dust might cause open ventilated motors to fail.

- Vent Hood • Refrigeration Application • Electric Unit Heaters • Humidifiers • Dehumidifiers

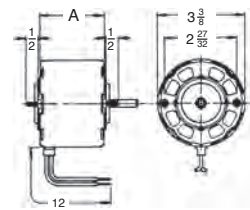
OEM replacement for: Nutone, Tyler, Broan, Bohn, Preway, Miami Carey, Duotherm, Ventrola, Markel, Mid-Continent, Federal Pacific, Chromalox and other fan and blower duty applications.



HP	RPM	Speeds	Volts	Amps	Stock Number	Shaft Diameter & Length	Rotation	"A" Dim.	Notes
1/150	1550	1	115	.42	674	1/4-20 THD	CCWSE	2-1/2	3
1/100	1550	1	115	.38	16	1/4 x 2-1/2	CWSE	2-1/8	
1/100	1550	1	115	.38	17	1/4 x 2-1/2	CCWSE	2	
1/100	1550	1	115	.73	692	1/4 x 2-1/4	CWSE	2	3,4
1/100	1550	1	115	.73	693	1/4 x 2-1/4	CCWSE	2	3,4
1/75	1550	1	115	.60	637	1/4 x 1-3/16	CCWSE	2-1/8	3,4
1/75	1650	1	115	.50	683	1/4-20THD	CWSE	2	3
1/70	1550	1	115	.60	509	1/4 x 1-1/4	CCWSE	2-1/8	3,4
1/70	1550	1	115	.60	510	1/4 x 2-1/4	CCWSE	2-1/8	3,4
1/70	3000	1	115	.62	616	1/4 x 1	CCWSE	2-1/4	4
1/60~1/75	1550	2	115	.74-.50	597	5/16 x 1-1/4	CWSE	2-1/4	3
1/60	3000	1	115	.75	983	1/4 x 2-1/4	CCWSE	2-1/4	
1/60	3000	1	115	.85	986	1/4 x 1-3/4	CWSE	2-1/4	
1/50	1550	1	115	.90	20	1/4 x 2-1/2	CWSE	2-1/2	
1/50	1550	1	115	.90	21	1/4 x 2-1/2	CCWSE	2-1/2	
1/50~1/100	2800	2	115	.65-.44	496	1/4 x 1-1/4	CWSE	2-1/2	3
1/30	1550	1	115	.97	400	5/16 x 3-1/4	CCWSE	2-3/4	3
1/25	1550	1	115	1.2	431	5/16 x 2-1/2	CWSE	3	150
1/25	1550	1	115	1.3	9627	5/16 x 1-3/4	CWSE	3-1/4	3,4,150
1/25	1550	1	115	1.3	9629	5/16 x 1-3/4	CWSE	3-1/4	3,150
1/25	1550	1	115/230	1.6/.8	9523	5/16 x 2-1/2	CWSE	3-1/8	3
1/25	1550	1	208-230	.60	432	5/16 x 2-1/2	CWSE	3	
1/25	1550	1	208-230	0.7	9630	5/16 x 1-3/4	CWSE	3-1/4	3,150
1/20	1550	1	200-230	0.9	9628	5/16 x 1-1/2	CWSE	3-1/2	3,4,150

### Notes:

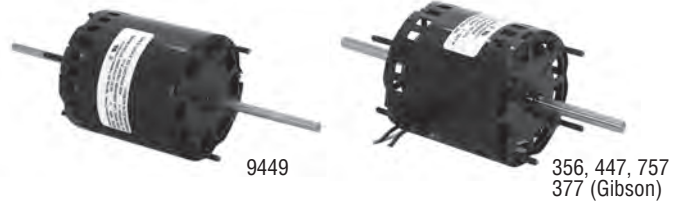
3. Special OEM Replacement Motor (see pages 94-132)
4. Supplied with lead & plug assembly
150. Rated 50/60 HZ



## Room Air Conditioning & Double Blowers

### Features:

- Continuous Duty, Air Over
- Double Shaft
- Open and Closed Construction Applications
- Thermally Protected
- Shaded Pole & PSC
- 60 Hz



### Applications: Double Blower • Room Air Conditioning • Heaters

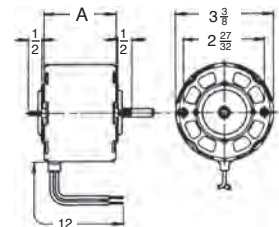
OEM replacement for Day & Night, Carrier, Trade Wind, Thermador, Gibson, Sears, Whirlpool, etc.



HP	RPM	Speeds	Volts	Amps	Stock Number	Shaft Diameter & Length	Capacitor	"A" Dim.	Notes
1/125~1/200	1550	2	115	.57-.34	10	1-3/4 x 1/4 x 1-3/4	Shaded Pole	1-7/8	
1/50~1/70	1550	2	208-230	.40-.20	378	2-1/2 x 1/4 x 2-1/2	Shaded Pole	2-1/4	
1/40	1550	1	115	.90	314	2-3/8 x 5/16 x 2-3/8	Shaded Pole	2-1/2	
1/40~1/60	1550	2	115	1.0-.70	350	1-3/4 x 5/16 x 1-3/4	Shaded Pole	2-1/2	
1/40~1/70	3000	2	115	1.2-.6	9419	3 x 1/4 x 3	Shaded Pole	2-7/8	
1/30	3000	1	115	1.1	11	1-1/2 x 1/4 x 1-1/2	Shaded Pole	2-7/8	
1/30	3000	1	115	1.4	9449	3-1/4 x 1/4 x 3-1/4	Shaded Pole	3-5/8	
1/30	3000	1	230	.55	979	2-1/4 x 1/4 x 2-1/4	Shaded Pole	2-3/4	
1/25	1550	1	115	2.1	324	2 x 5/16 x 2	Shaded Pole	3	3
1/20~1/30	1550	2	115	2.7-1.4	359	4 x 5/16 x 4	Shaded Pole	3-1/8	3
1/15~1/25~1/35	1000	3	115	1.5-1.0-.8	9400	5-5/8 x 3/8 x 5-5/8	4MFD-370V	4-5/8	3
1/15	1550	1	115	3.0	02	2 x 5/16 x 2	Shaded Pole	3	3
1/15	1600	1	120	2.1	634	2-1/2 x 5/16 x 2-1/2	Shaded Pole	3-3/8	3
1/15~1/25~1/30	1550	3	115	2.7-1.9-1.6	356	2-3/4 x 5/16 x 2-1/2	Shaded Pole	3-1/4	
1/15~1/25~1/30	1550	3	115	2.7-1.9-1.6	377	6-1/2 x 5/16 x 6-1/2	Shaded Pole	3-3/8	3
1/12~1/20~1/30	1550	3	115	3.0-2.1-1.7	757	5-3/4 x 5/16 x 5-3/4	Shaded Pole	3-5/8	
1/12~1/20~1/25	1550	3	115	1.4-.90-.70	447	6 x 5/16 x 6	5MFD-370V	4	

### Notes:

3. Special OEM Replacement Motor (see pages 94-132)



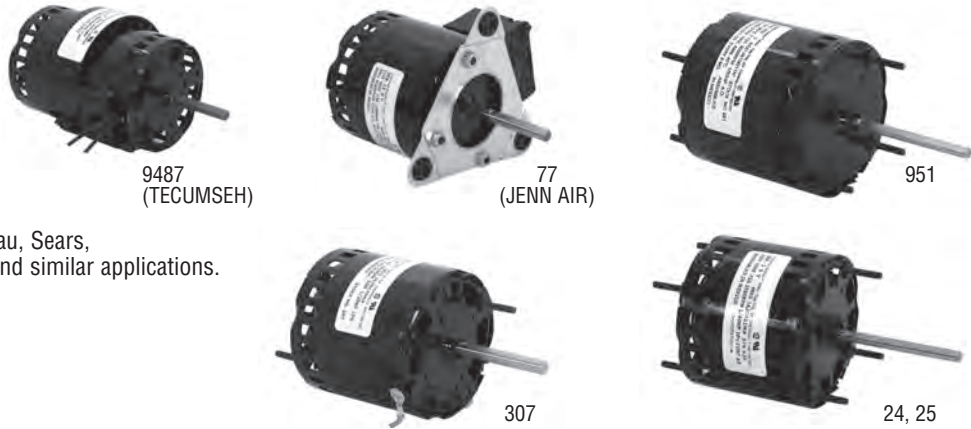
# 3-3/8" Diameter Stock Motors

## Open Fan Cooled

### Features:

- Internally Fan Cooled
- Shaded Pole
- 60 Hz and 60/50 Hz
- 77 for Jenn Air 70 CR

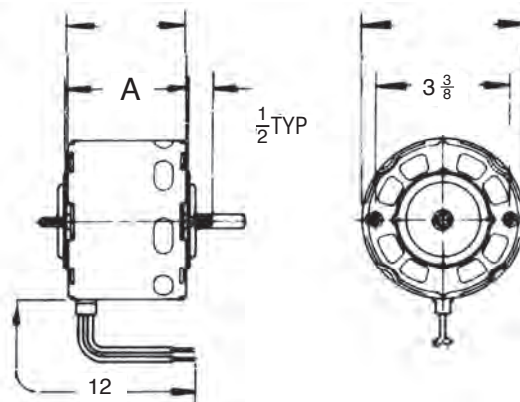
OEM replacement for Tecumseh, Lau, Sears, Jenn Air, Lear Siegler humidifiers and similar applications.



HP	RPM	Speeds	Volts	Amps	Stock Number	Shaft Diameter & Length	Rotation	"A" Dim.	Notes
1/60	1550	1	115	.73	24	1/4 x 3	CWSE	2-7/8	
1/60	1550	1	115	.73	25	1/4 x 3	CCWSE	2-7/8	
1/30	1550	1	115	1.0	77	5/16 x 2-1/2	CWSE	3-1/4	2,3,126
1/30	3000	1	115	1.12	951	1/4 x 3	CWSE	3-1/4	
1/25	1550	1	115	1.2	307	5/16 x 2-1/2	CWSE	3-1/4	
1/12	1500	1	230	1.3	9487	5/16 x 2-1/8	CCWSE	4-7/8	3,6,126

### Notes:

2. Ball Bearing
3. Special OEM Replacement Motor (see pages 94-132)
6. 60/50 Hz
126. Special Mounting Bracket



## GE 11 Frame Replacements

### Features:

- All Angle Sleeve Bearing
- Insulation Class B
- Open Fan Cooled (9439 is Air Over)
- Shaded Pole
- Single Speed
- Thermally Protected
- UL, CSA Approved
- 1-3/4" Resilient Rings (except 981 9336, and 9439)
- 2.84 B.C. 8-32 Tapped Holes for Shaft End Mounting
- 40°C Ambient



9653, 9654, 9655,  
9656, 9657, 9658,  
9659, 9660, 9661,  
9662, 9664, 9665,  
671B, 672B



9336



9663



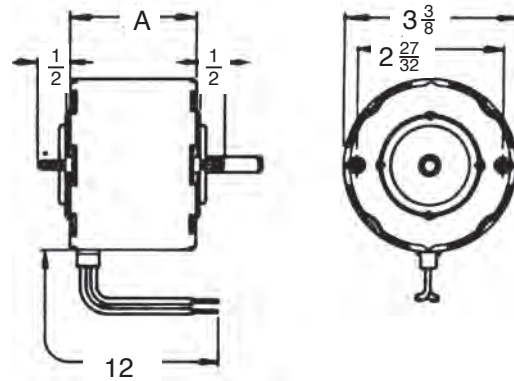
981  
(Tecumseh)

HP	RPM	Volts	Amps	Stock Number	Shaft Diameter & Length	Rotation Opposite Shaft End	Ring to Ring Dimension	Industry Number	Notes
1/40	1550	115	1.2	9656	5/16 x 1-1/4	CW	4-1/2	1531	184
1/40	1550	115	1.2	9657	5/16 x 1-1/4	CCW	4-1/2	1541	184,231
1/40	1550	208-230	0.6	9658	5/16 x 1-1/4	CW	4-1/2	1532	184
1/40	1550	208-230	0.6	9659	5/16 x 1-1/4	CCW	4-1/2	1542	184
1/30	1550	115	1.6	9653	5/16 x 1-1/4	CW	4-5/8	1431	184
1/30	1550	208-230	0.8	9654	5/16 x 1/14	CW	4-5/8	1432	184
1/30	1550	208-230	0.8	9655	5/16 x 1-1/4	CCW	4-5/8	1442	184
1/20	1550	115	2.0	9660	5/16 x 2	CW	4-3/4	1331	184
1/20	1550	115	2.0	9661	5/16 x 2	CCW	4-3/4	1341	184,231
1/20	1550	208-230	1.0	9662	5/16 x 2	CCW	4-3/4	1342	184
1/20	1550	208-230	1.0	9663	5/16 x 1-1/4	CW	4-1/2	1016	75,184
1/20	1550	208-230	1.0	9664	5/16 x 2	CW	4-3/4	1332	184,231
1/20	1550	230	1.1	9336	5/16 x 2-5/8	CW	4-7/8	1336	2,75,150, 184,331,231
1/15	1550	115/208-230	2.1/1.1	671B	5/16 x 2	CW	4-7/8	1231	2,184,231
1/15	1550	115/208-230	2.1/1.1	672B	5/16 x 2	CCW	4-7/8	1441	2,184,231
1/15	1550	208-230	1.1/1.0	9665	5/16 x 1-1/4	CW	4-3/4	1232	150,184,231
1/15	1550	460	0.6	981	5/16 x 2-1/2	CW	4-1/4		3,184,331,231

### Notes:

2. Ball bearing
3. Special OEM Replacement Motor (see pages 94-132)
75. Mounting Rings not included
150. Rated 50/60 Hz
184. Lead exit is on shaft end
231. Includes 8/32 mounting studs
331. Cannot be mounted with rings – ring to ring dimension is body length

**Stock No. 2064A**  
8-32 x 3/4"  
(8 screws per pack)  
Sold Separately



# 3-3/8" Diameter Stock Motors

## Totally Enclosed Fan Cooled

### Features:

- Shaded Pole & PSC
- 60 Hz

OEM replacement for Coleman, Tjerlund, Trane, Frigidaire, McQuay and similar applications.



994, 995, 9450



982, 988



351



91, 418, 419



38

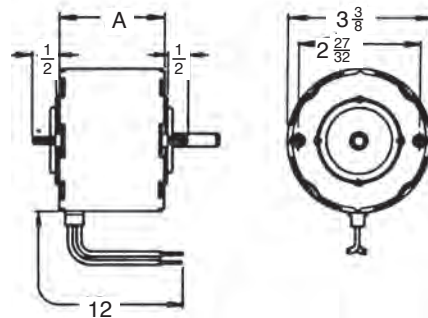


40, 41

HP	RPM	Speeds	Volts	Amps	Stock Number	Shaft Diameter & Length	Capacitor	Rotation	"A" Dim.	Notes
1/25	1550	1	115	1.2	38	5/16 x 2-1/2	Shaded Pole	CWSE	4-1/8	
1/20	1550	1	115	1.5	40	5/16 x 2-1/2	Shaded Pole	CWSE	4-1/8	
1/20	1550	1	115	1.5	41	5/16 x 2-1/2	Shaded Pole	CCWSE	4-1/8	
1/20	1550	1	115/230	1.5/1.74	351	5/16 x 4-1/2	Shaded Pole	CWSE	4-1/4	2
1/20	1550	1	115/230	1.48/.74	419	5/16 x 2-1/4	Shaded Pole	CCWSE	4-1/4	2
1/20	3000	1	115/230	2.0/1.0	9450	5/16 x 6-1/2	Shaded Pole	CCWSE	4-3/8	2,173
1/20	3000	1	115/230	1.9/.90	994	5/16 x 6-1/2	Shaded Pole	CCWSE	4-3/8	2,173
1/20	3000	1	115/230	1.9/.90	995	5/16 x 6-1/2	Shaded Pole	CWSE	4-3/8	173
1/20	3200	1	115	0.64	988	5/16 x 2-1/4	Included	REV	4-1/2	2
1/15	3000	1	115/230	2.0/1.0	91	5/16 x 5	Shaded Pole	CWSE	4-1/2	2,122
1/15	3000	1	115/230	2.0/1.0	418	5/16 x 5	Shaded Pole	CCWSE	4-1/2	2
1/8	3000	1	115	2.0	982	5/16 x 2-1/4	Included	REV	5-1/4	2

### Notes:

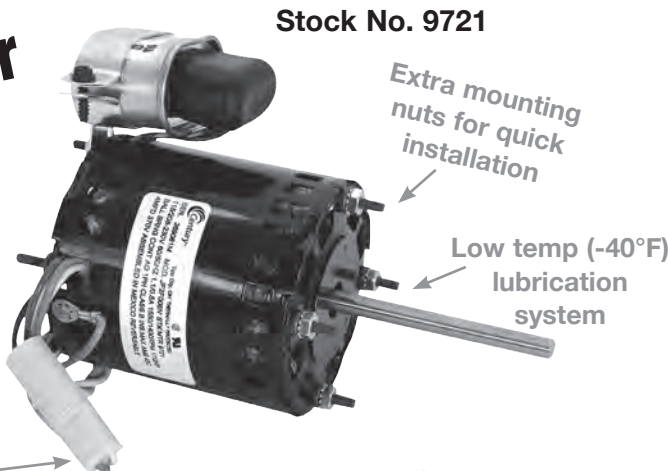
- 2. Ball Bearings
- 122. Stock No. 91 has a stainless steel shaft and 20" leads for use on ice machines
- 173. Motor has four studs



**HEATCRAFT REPLACEMENT MOTORS  
BOHN, CHANDLER, CLIMATE CONTROL AND LARKIN**

**3-in-1™ Motor**

Replaces 1/12, 1/15, 1/20 HP  
PSC and Low Efficient  
Shaded Pole Designs

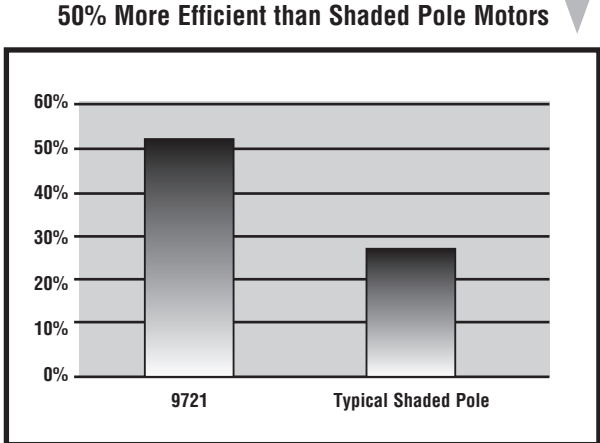


**ENERGY  
SAVINGS  
PSC  
DESIGN**

**Direct Drop-in  
Replacement for  
walk-in cooler  
evaporator fans**

**Features:**

- ✓ Easy-to-Read Connection Diagram Attached to White Lead Wire
- ✓ Now! Four Studs on Each End
- ✓ 40°C Ambient
- ✓ Class B Insulation
- ✓ 60/50 HZ
- ✓ UL and CSA Recognized



\$ Less efficient shaded pole motors are often used in original equipment to cut costs. While they do allow some small savings in purchase price, the savings are quickly eaten up in electric bills at today's high power costs.

Stock No.	HP	Volts	Amps	RPM	Speeds	BM DIM	Shaft Dia. & Length	Rotation	Wt.
9721•\$	1/12,1/15,1/20	115/208-230	1.1/0.5	1550	1	3.60	5/16x3-1/4	Rev.	4.75

•Ball Bearing      \$ Energy Efficient

Use of a permanent split capacitor design allows the motor to deliver more power with a lower amp draw. Cooler operation results in fewer failures. Ball bearings provide smooth, quiet operation and extended motor life.

# 4-5/16" Diameter Stock Motors

## Heating, Ventilating & Welding Units

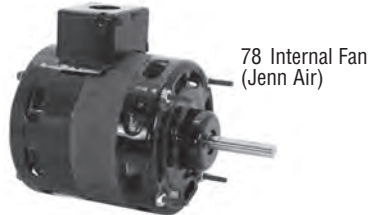
### Features:

- Auto Protector
- Continuous Duty, Air Over
- Shaded Pole & PSC
- 3/8" Diameter Shaft
- 60 Hz

### Applications:

- Roof & Wall Ventilators • Condenser Fans • Direct Drive Blowers
- Unit Heaters • 78 For use on Jenn Air 80 CR • Furnace Fan
- Ventilating Units • 97 For use on Intertherm Furnaces TAC 900, 950, 1033, 1043, 1050 R70 & M7G

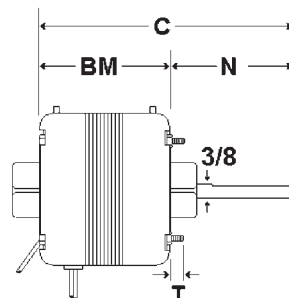
OEM replacement for Luxaire, Home, Lau, Taylor Freezer, Slirpy, Duotherm, Loren Cook, Lennox, Bohn, Wagner, Reznor, Lincoln, Miller, Hobart, Westinghouse, Intertherm, Jenn Air and similar applications.



HP	RPM	Speeds	Volts	Amps	Stock Number	Capacitor	Rotation	Dim. Ref.	Notes
1/40~1/65	1050	2	115	1.1-.70	<b>305</b>	Shaded Pole	CWSE	3	272
1/20	1050	1	115	2.1	<b>48</b>	Shaded Pole	CWSE	3	
1/20~1/30	1000	2	115	2.2-1.1	<b>332</b>	Shaded Pole	CWSE	2	3
1/15	1050	1	115	2.5	<b>50</b>	Shaded Pole	CWSE	1	
1/15	1050	1	115	2.2	<b>394</b>	Shaded Pole	CWSE	4	2,3
1/15~1/20~1/40	1060	3	115	1.2-.9-.7	<b>793</b>	6 MFD-370V	REV	6	3,100
1/15	1550	1	115	2.3	<b>44</b>	Shaded Pole	CWSE	7	
1/15	1550	1	115	2.1	<b>78</b>	Shaded Pole	CWSE	8	2,3,150
1/15	1550	1	115	2.3	<b>484</b>	Shaded Pole	CCWSE	7	3
1/12~1/25	1050	2	115	4.0-1.6	<b>97</b>	Shaded Pole	CWSE	5	3,4
1/12	1550	1	115	2.6	<b>46</b>	Shaded Pole	CWSE	3	
1/12	1550	1	208-230	1.3	<b>472</b>	Shaded Pole	CWSE	1	
1/10	850	1	115	4.0	<b>84</b>	Shaded Pole	CWSE	1	250
1/10	850	1	115	4.0	<b>85</b>	Shaded Pole	CCWSE	1	250
1/10	850	1	230	2.2	<b>309</b>	Shaded Pole	CCWSE	1	250
1/10	1550	1	115	2.4	<b>781</b>	Shaded Pole	CCWSE	9	3

### Notes:

2. Ball Bearings
  3. Special OEM Replacement Motor (see pages 94-132)
  4. Supplied with Lead & Plug Assembly
100. 1/2" diameter shaft  
 150. Rated 50/60 HZ  
 250. Also 1/10 HP at 1050 RPM  
 272. 5/16" diameter shaft



### Approximate Dimensions

Ref.	BM	C	N	T
1	4.00	6.54	2.54	.56
2	4.00	7.67	3.67	
3	3.50	6.04	2.54	.58
4	4.92	7.92	3.00	.40
5	4.00	6.92	2.92	
6	4.09	6.45	2.36	
7	3.00	5.54	2.54	.56
8	4.42	6.92	2.50	.64
9	3.60	5.33	1.73	



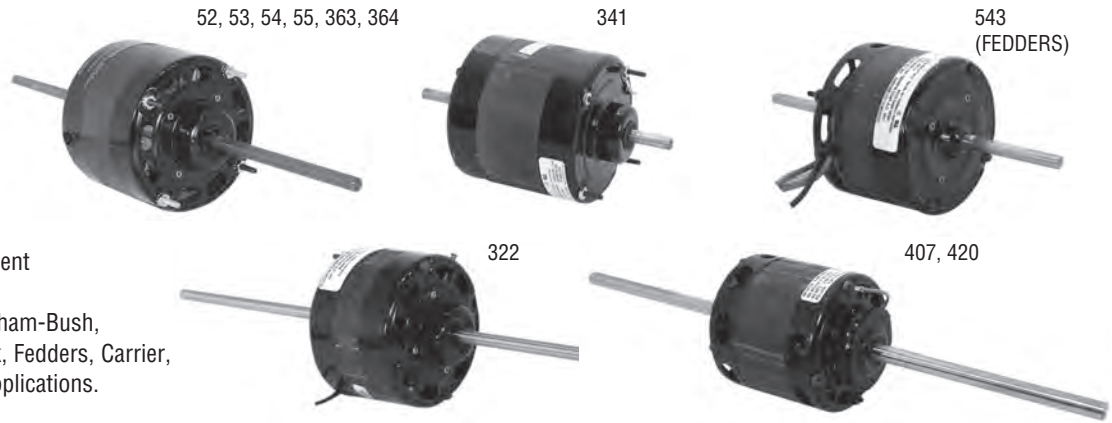
# 4-5/16" Diameter Stock Motors

## Fan Coil Units

### Features:

- Auto Protector
- Continuous Duty, Air Over
- Shaded Pole
- 60 Hz
- Direct Drive Blowers
- 341 for use on welding equipment

OEM replacement for Trane, Dunham-Bush, American Standard, Nesbitt, York, Fedders, Carrier, U.S. Air and other fan coil unit applications.



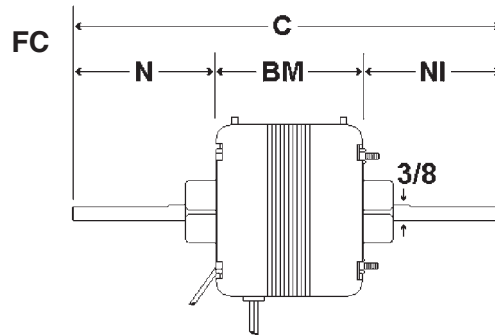
HP	RPM	Speeds	Volts	Amps	Stock Number	Dim Ref.	Notes
1/25	1550	1	115	1.4	322	3	
1/20	1050	1	115	1.8	54	1	
1/20~1/30~1/40~1/60	1550	4	115	1.8-1.3-.95-.70	363	4	
1/20~1/30~1/40~1/60	1550	4	115	1.8-1.3-.95-.70	364	5	100
1/15	1050	1	115	2.5	55	2	
1/15	1550	1	115	2.2	52	1	
1/15~1/20~1/25	1550	3	115	2.8-2.0-1.6	543	6	3
1/12	1550	1	115	2.6	53	7	
1/10	1650	1	115/230	2.2/1.1	341	10	2
1/10~1/15~1/20	1550	3	115	3.3-2.4-1.7	420	8	7,100
1/6~1/9~1/12~1/15	1550	4	115	4.8-3.1-2.6-2.3	407	9	7,100

### Notes:

2. Ball Bearings
3. Special OEM Replacement Motor (see pages 94-132)
7. Resilient Mounting Rings Included
100. 1/2" diameter shaft

### Approximate Dimensions

Ref.	BM	FC	N	N1
1	3.50	15.50	6.00	6.00
2	4.00	16.00	6.00	6.00
3	3.00	17.50	7.25	7.25
4	3.25	18.25	7.50	7.50
5	3.25	19.25	8.00	8.00
6	3.24	9.75	3.25	3.26
7	3.85	16.38	6.26	6.27
8	3.25	16.75	6.75	6.75
9	4.00	19.00	7.50	7.50
10	4.00	8.00	2.00	2.00



# 5" Diameter Stock Motors

## Refrigeration - Unit Heaters - Space Heaters, GE 21/29 Frame Replacements - Mechanically Reversible

### Features:

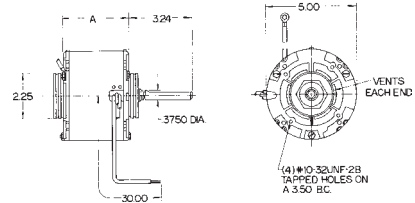
- Air Conditioners
- Base Mounting Available
- Commercial Condenser Units
- Continuous Duty, Air Over
- Designed for Easy Mechanical Reversing
- Drain Holes
- Extra Long 30" Leads
- Fits G.E. Base
- Mounting Rings Included
- Lead Exit on Shaft End
- For 1/2" Shaft Applications use Stock No 1306 Shaft Bushing
- Holes Provided for Conduit Connector
- Refrigeration Cabinets
- Replaces Most G.E. 21/29 Frame Motors
- Replaces Universal Stock 401-406
- Shaded Pole
- Sleeve Bearing



**STOCK NO. 2087A  
MOUNTING STUDS**  
10-32 X 1"  
4 per set  
(available separately)



- Thermally Protected
- Unit Cooler Fans & Blowers
- Unit Heaters
- 2-1/4" Mounting Rings Included
- 4 Tapped 10-32 Holes for Shaft End Mounting
- 60 Hz



HP	RPM	Speeds	Volts	Amps	Stock Number	Shaft Dia. & Length	Rotation	"A" Dim.	Cross Reference	Base Number	Notes
1/20	1050	1	115/230	2.8/1.4	604	3/8 x 3-1/4	CWSE	4-1/4	2321 & 2322	1207	103
1/20	1550	1	115/230	2.4/1.2	610	3/8 x 3-1/4	CWSE	4-1/4	2341 & 2342	1207	103
1/20	1550	1	115/230	2.4/1.2	611	3/8 x 3-1/4	CCWSE	4-1/4	2331 & 2332	1207	103
1/15	1050	1	115/230	3.8/1.9	606	3/8 x 3-1/4	CWSE	4-1/2	2223		103
1/15	1550	1	115/208-230	2.8/1.4	612A	3/8 x 3-1/4	CWSE	4-1/2	2241 & 2242		103
1/15	1550	1	115/208-230	2.8/1.4	613A	3/8 x 3-1/4	CCWSE	4-1/2	2231 & 2232		103
1/12	1050	1	115	1.8	9667	3/8 x 2	Rev.	5-3/4	2928		6,70,118
1/12	1050	1	208-230	0.61	9669	3/8 x 2	Rev.	5-3/4	2954		6,70,118
1/12	1550	1	115	1.6	9666	3/8 x 2	Rev.	5-3/4	2927		6,70,118
1/12	1550	1	208-230	0.65	9668	3/8 x 2	Rev.	5-3/4	2953		6,70,118
1/10	1050	1	115/230	4.6/2.3	608	3/8 x 3-1/4	CWSE	4-3/4	2121 & 2122	2089	103
1/10	1050	1	115/230	4.6/2.3	609	3/8 x 3-1/4	CCWSE	4-3/4	2113	2089	103
1/10	1550	1	115/230	4.4/2.2	614	3/8 x 3-1/4	CWSE	4-3/4	2141 & 2142	2089	103
1/10	1550	1	115/230	4.4/2.2	615	3/8 x 3-1/4	CCWSE	4-3/4	2131 & 2132	2089	103

Used on many popular commercial condensing units (Copeland, Tecumseh, Hussmann, Tyler, etc.) as well as unit cooler fans and blowers, refrigeration cabinets; also used on unit heaters, space heaters, remote air conditioners, blower units and other air moving applications. 4 ratings replace 21 of G.E.'s 21/29 frame designs.

### Features:

- All angle sleeve bearings
- Auto protector
- Base and mounting clamps included
- Grommeted lead exit
- Mounting rings included
- Mechanically reversible in the field
- Open enclosure
- Shaded pole
- UL and C.S.A. approved
- Lead exit on shaft end
- 3/8" shaft diameter, 1/2" adapter
- 2-1/4" rubber rings; base mounting
- 30" color coded leads
- 42 Frame (5.0" Dia.)
- 60 HZ

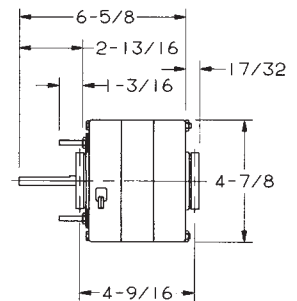


HP	RPM	Voltage	Amps	Frame	Stock Number	Rotation	Notes
1/10	1050	115/208-230	4.0/2.0	42Y	RF6402	CWSE	6,154
1/10	1050	115/208-230	4.0/2.0	42Y	RF6403	CCWSE	6,154
1/10	1550	115/208-230	4.0/2.0	42Y	RF4400	CWSE	6,154
1/10	1550	115/208-230	4.0/2.0	42Y	RF4401	CCWSE	6,154

### Notes:

- 6. 60/50 HZ
  - 70. Permanent Split Capacitor
  - 103. When using U.E. Base, add (2) 1221A Adapter Rings to EACH Mounting Ring
- Also see page 35 for G.E. 11 Frame Replacements

- 118. TEAO
- 154. Previous stock numbers with "X" suffix are as current models



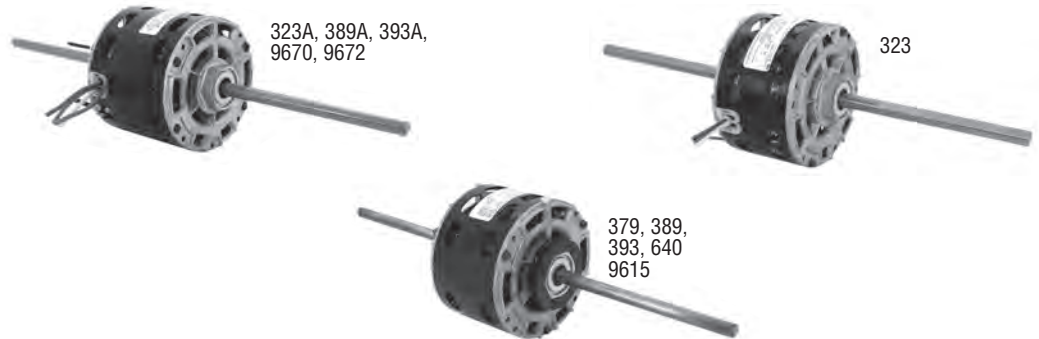
4 mounting bolts 3-1/2 dia. B.C.  
(Mounting Washers and Nuts Included)

# 5" Diameter Double Shaft Fan/Blower Motors Less Base

## Fan Coils - Dual Wheel Blower

### Features:

- Auto Protector
- 1/2" Dia. - Flatted Shafts
- 42 Frame (5.0 Dia.)
- 60 HZ only
- Open Construction
- 2-1/2" Dia. Rings
- Sleeve Bearing
- Shaded Pole
- 40° C Ambient



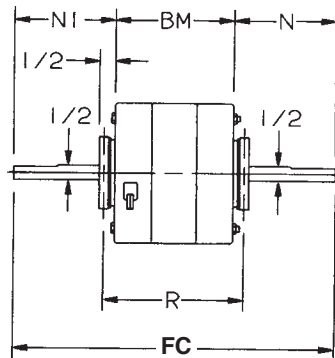
HP	RPM	Speeds	Volts	Amps	Stock Number	Rotation	Dim. Ref.	Notes
<b>SHADED POLE</b>								
1/20~1/40~1/50	1050	3	115	2.6-1.5-1.0	9615	CWLE	6	7,47
1/20~1/40~1/50	1050	3	115	2.6-1.5-1.0	640	CWLE	6	7
1/15~1/20~1/30~1/50	1050	4	115	2.4-1.6-1.1-0.8	389	CWLE	7	7
1/15~1/20~1/30~1/50	1050	4	115	2.4-1.6-1.1-0.8	389A	CCWLE	1	6,24
1/15~1/20~1/30~1/50	1050	4	115	2.4-1.6-1.1-0.8	393	CWLE	8	6,7,47
1/15~1/20~1/30~1/50	1050	4	115	2.4-1.6-1.1-0.8	393A	CCWLE	2	6,24,47
1/15~1/25~1/40	1050	3	208-230	1.3-0.7-0.5	9670	CCWLE	3	6,24
1/12~1/15~1/20	1050	3	115	4.0-2.7-2.3	9672	CCWLE	5	24
1/12~1/15~1/20	1050	3	277	1.1-.80-.60	379	CCWLE	9	7
1/12~1/20~1/30	1550	3	115	3.2-1.8-1.3	323	CWLE	10	75
1/12~1/20~1/30	1550	3	115	3.2-1.8-1.3	323A	CCWLE	4	24

### Notes:

- 6. 60/50 HZ
- 7. Resilient mounting, rings included
- 24. Mounting accessories packaged with motor
- 47. 3/8" Shaft
- 75. Mounting rings not included

### Approximate Dimensions

Ref.	BM	R	FC	N1	N
1	3-1/2	4 - 5	25	10-1/2	11
2	3-1/2	4 - 5-1/8	20-1/2	8-1/2	8-1/2
3	3-1/4	3-3/4 - 4-3/4	24-3/4	10-1/2	11
4	3-1/4	3-3/4 - 4-3/4	17	6-7/8	6-7/8
5	3-1/4	3-3/4 - 4-3/4	20	8-1/4	8-1/4
6	3	3-1/2	17-5/8	7-5/16	7-5/16
7	3-1/2	4	24-7/8	10-11/16	10-11/16
8	3-1/2	4	19-7/8	8-3/16	8-3/16
9	3-1/2	4	17-3/4	7-1/8	7-1/8
10	3-1/4		17	6-7/8	6-7/8

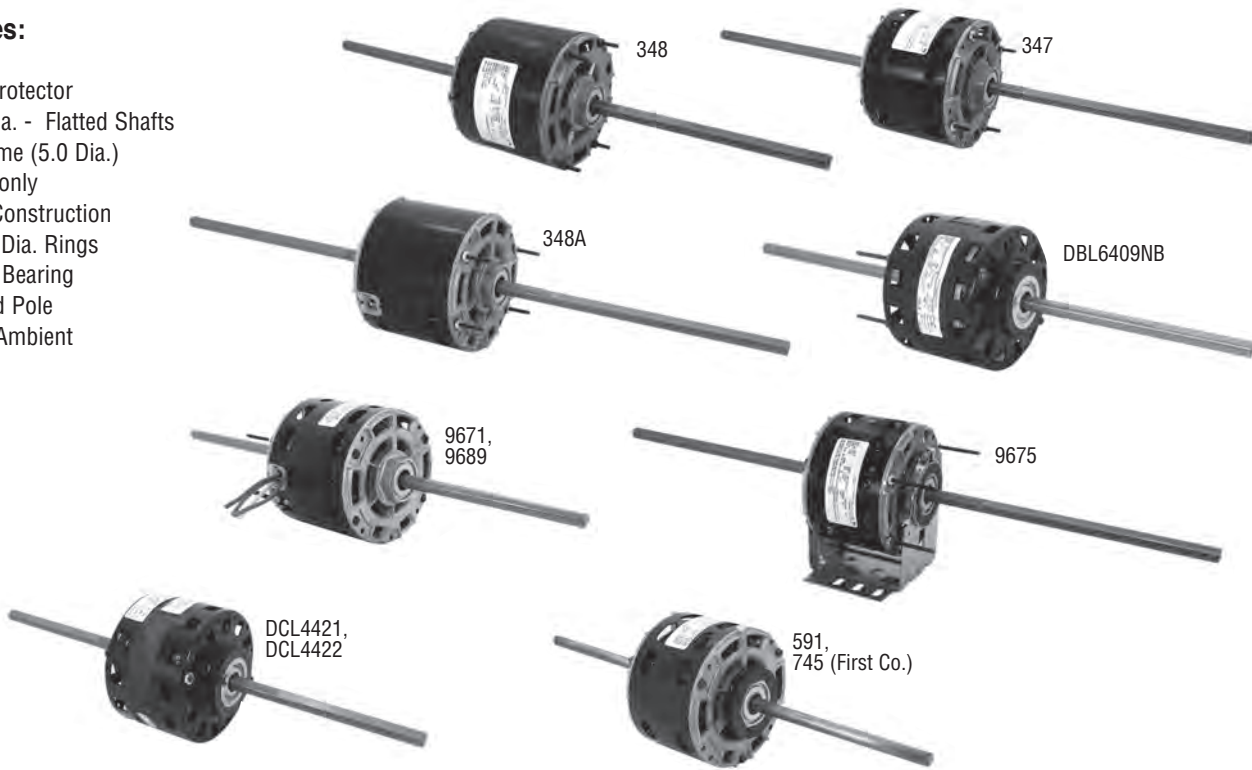


# 5" Diameter Double Shaft Fan/Blower Motors Less Base

## Fan Coils - Dual Wheel Blower

### Features:

- Auto Protector
- 1/2" Dia. - Flatted Shafts
- 42 Frame (5.0 Dia.)
- 60 HZ only
- Open Construction
- 2-1/2" Dia. Rings
- Sleeve Bearing
- Shaded Pole
- 40° C Ambient



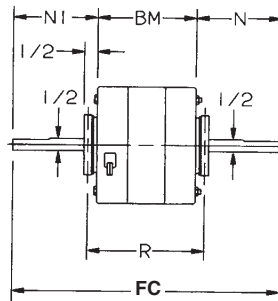
HP	RPM	Speeds	Volts	Amps	Stock Number	Rotation	Dim. Ref.	Notes
<b>SHADED POLE</b>								
1/10~1/20~1/30	1050	3	115	3.0-1.9-1.4	591	CWLE	8	6,7
1/10~1/15~1/20~1/25~1/30	1050	5	115	3.5-2.8-2.2-1.9-1.6	DBL6409NB	CCWLE	1	24,349
1/10~1/12~1/15~1/20~1/25	1000	5	208-230	2.3-1.7-1.3-1.2-1.1	9689	CCWLE	7	24
1/10~1/15~1/25	1550	3	115	3.5	DCL4421	CCWLE	2	7,263
1/8~1/10~1/12	1500	3	115	5.5-4.8-3.0	9671	CCWLE	9	6,24,47
1/8~1/12~1/20~1/30	1550	4	115	3.3-2.3-1.7-1.2	347	CWLE	4	
1/8~1/12~1/20~1/30	1550	4	115	3.3-2.3-1.7-1.2	9675	CCWLE	4	81
1/6~1/8~1/10	1050	3	230	2.9-2.1-1.6	348	CCWLE	5	
1/6~1/8~1/10	1050	3	230	2.9-2.1-1.6	348A	CCWLE	10	24
1/6~1/10~1/12~1/15	1550	4	115	4.0	DCL4422	CCWLE	3	7,32
1/6~1/8~1/10~1/12	1550	4	120	5.0-3.3-2.9-2.4	745	CCWLE	6	3,7

### Notes:

- 3. Special OEM Replacement Motor (see pages 94-132)
- 6. 60/50 HZ
- 7. Resilient mounting, rings included
- 24. Mounting accessories packaged with motor
- 32. 24" leads (minimum)
- 47. 3/8" Shaft
- 81. Includes base
- 263. 53" leads
- 349. 2-1/4" mounting rings

### Approximate Dimensions

Ref.	BM	R	FC	N1	N
1	3-3/8	3-7/8 - 4-7/8	24	10-1/4	10-3/8
2	3-5/16	4-1/16	18	7-5/16	7-5/16
3	3-7/8	4-9/16	18-1/4	7-3/16	7-3/16
4	4		23-3/4	9-7/8	9-7/8
5	4-1/4		21-1/4	8-1/2	8-1/2
6	4-1/4	4-3/4	19-1/2	7-5/8	7-5/8
7	3-1/2	4 - 5-1/8	25-1/2	11	11
8	3-1/2	4	24-7/8	10-11/16	10-11/16
9	4	4-1/2 - 5-1/2	20-3/4	8-3/8	8-3/8
10	4-1/4	4-3/4 - 5-3/4	25-1/4	10-1/2	10-1/2

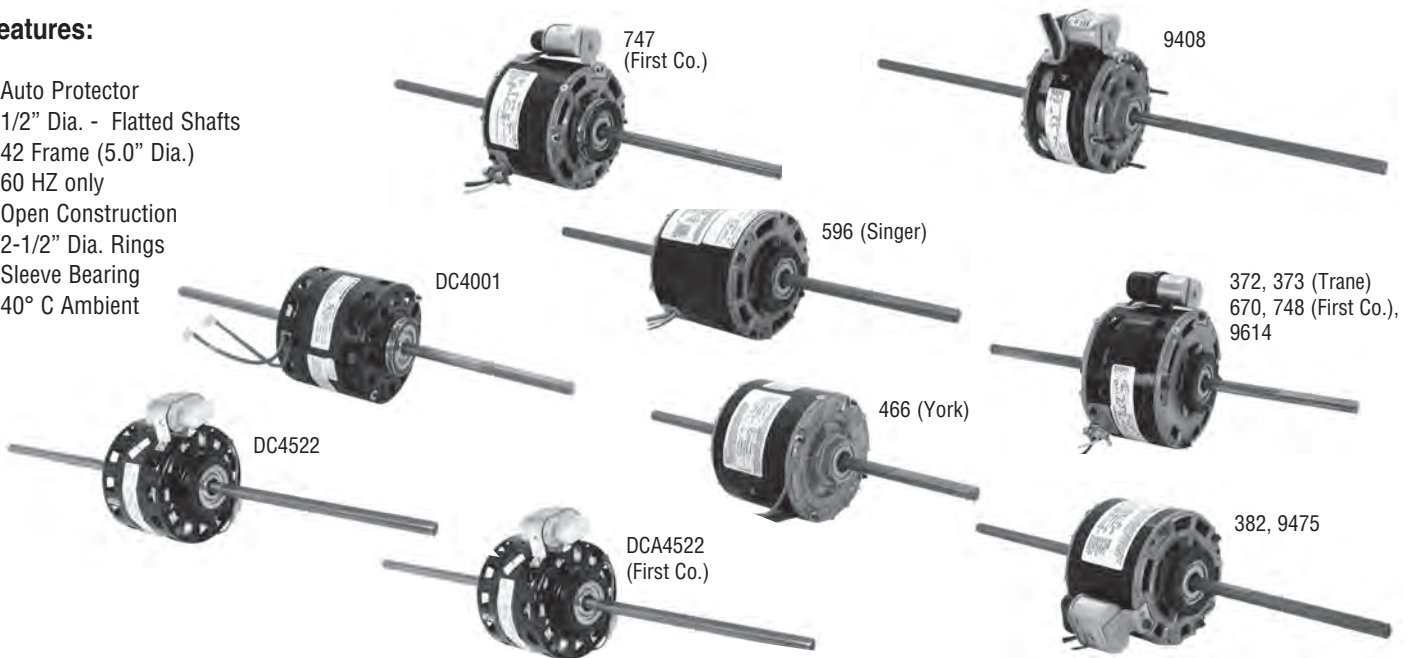


# 5" Diameter Double Shaft Fan/Blower Motors Less Base

## Fan Coils - Dual Wheel Blower

### Features:

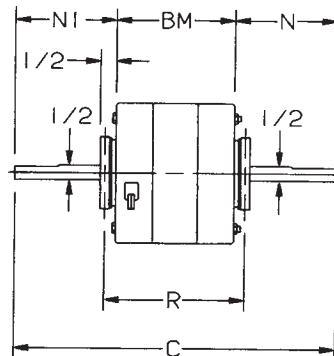
- Auto Protector
- 1/2" Dia. - Flatted Shafts
- 42 Frame (5.0" Dia.)
- 60 HZ only
- Open Construction
- 2-1/2" Dia. Rings
- Sleeve Bearing
- 40° C Ambient



HP	RPM	Speeds	Volts	Amps	Stock Number	Rotation	Capacitor	Dim. Ref.	Notes
<b>PERMANENT SPLIT CAPACITOR</b>									
1/30	1100	2	115	.60/.64	373	CWLE	Included	1	3,7
1/25	1060	2	115	.60/.64	372	CWLE	Included	2	3,7
1/25~1/40~1/50	1625	3	115	.73-.49-.37	382	CWLE	Included	3	7
1/8~1/12~1/14	1075	3	277	.83-.59-.49	596	CCWLE	5MFD-370V	7	3,7
1/8~1/10~1/15~1/20	1550	4	115	2.1-1.6-1.3-.9	9408	CWLE	Included	8	75
1/6~1/10~1/20	1075	3	115	2.7-1.6-1.0	670	CWLE	Included	9	7
1/6~1/8~1/10~1/12	1550	4	120	3.7-1.9-1.7-1.4	748	CCWLE	Included	11	3,7
1/6~1/8~1/12	1550	3	230	1.0-.7-.5	9475	CCWLE	Included	12	6
1/5~1/10	1550	2	208-230	2.8	DC4522	CCWLE	Included	5	7,94
1/5~1/10	1550	2	208-230	2.8-1.3	9614	CCWLE	Included	12	7
1/5	1550	3	208-230	1.9	DCA4522	CCWLE	Included	13	3,7
1/4~1/8	1075	2	208-230	1.4-1.2	466	CWLE	5MFD-370V	10	3,6,118
1/4~1/8	1625	2	208-230	2.0-0.8	747	CCWLE	Included	12	3,7
1/3	1625	1	208-230	2.3	DC4001	CCWLE	6MFD-370V	6	283,349

### Notes:

- 3. Special OEM Replacement Motor (see pages 94-132)
- 6. 60/50 HZ
- 7. Resilient mounting, rings included
- 75. Mounting rings not included
- 94. 30" leads (minimum)
- 118. TEAO
- 283. 31" line leads, 5" capacitor leads
- 349. 2-1/4" mounting rings



### Approximate Dimensions

Ref.	BM	R	FC	N1/N
1	4-1/4	4-13/16	25-1/4	10-1/2
2	3-1/2	4-1/16	25-1/2	11
3	3-1/2	4-1/16	16-3/4	6-5/8
4	4-1/16	4-13/16	20-11/16	8-5/16
5	3-9/16	4-5/16	24	10-3/16
6	4-1/8	4-13/16	18-1/2	7-3/16
7	3-1/2	4-11/16	21-1/2	9
8	3-1/4	3-3/4	24	10-3/8
9	4-1/4	4-3/4	20-3/4	8-1/4
10	4-1/14		16-1/2	6-1/8
11	3-1/2	4-1/16	19-3/4	8-1/8
12	3-3/4	4-5/16	19-1/2	7-7/8
13	3-7/8	4-5/8	17	6-5/8

# 5" Diameter Double Shaft Fan/Blower Motors

## ECM Fan Coil Replacement Motor

### Features:

- Drop-in replacement
- Single phase
- Brushless DC
- 5 1/8" diameter
- 54" lead length



CS89

**Applications:** Fan Coils, Air Conditioners, Blowers, Shaded Pole, PSC Retrofit, Trane, Carrier, Amana, GE, Fan Coil & PTAC Units.

HP	RPM	Speeds	Volts	Amps	Stock Number	Rotation	Shaft Dia. & Length	Notes
1/10	1100,900,700	3	120	1.5	CS89	CWLE	9.3 x 1/2" x 9.3	New!

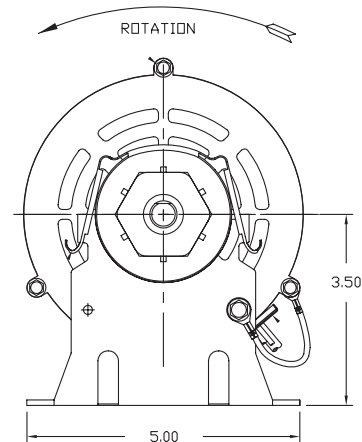
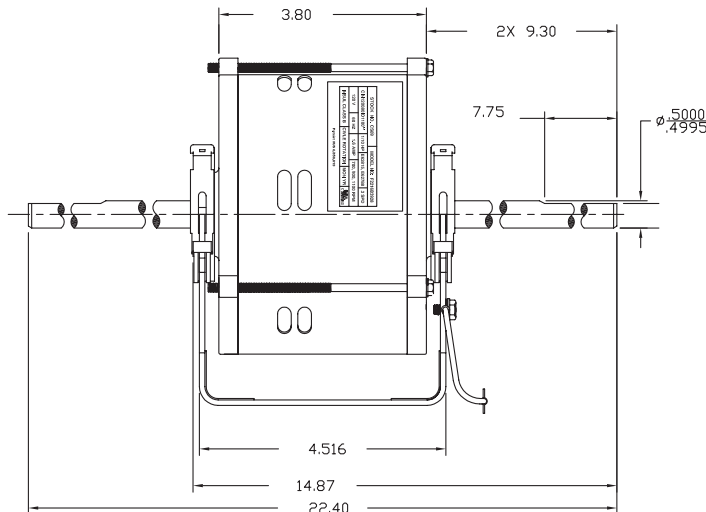
## Energy Saving Comparison

Motor Reference	Amp	Volts	Input Watts	Hours of Operation	kWh Per Day	kWh Per Year	Cost Per kWh	Annual cost to operate	% kWh Saved	Annual Savings
Shaded Pole	3.07	120	197.00	8	1.58	575.24	\$0.10	\$57.52		
CS89 High	1.56	120	94.00	8	0.75	274.48	\$0.10	\$27.45	52%	\$30.08
Shaded Pole	2.61	120	188.50	8	1.51	550.42	\$0.10	\$55.04		
CS89 MED	0.86	120	49.00	8	0.39	143.08	\$0.10	\$14.31	74%	\$40.73
Shaded Pole	2.14	120	151.90	8	1.22	443.55	\$0.10	\$44.35		
CS89 LOW	0.55	120	30.00	8	0.24	87.60	\$0.10	\$8.76	80%	\$35.59

kWh= KiloWatt hours

**Average Annual Savings: | 69% | \$106.40**

Total Building Savings	Single Unit Savings	(X)	Number of Units	(=)
CS89 Replacing Shaded Pole	\$106.40		95	\$10,108.46

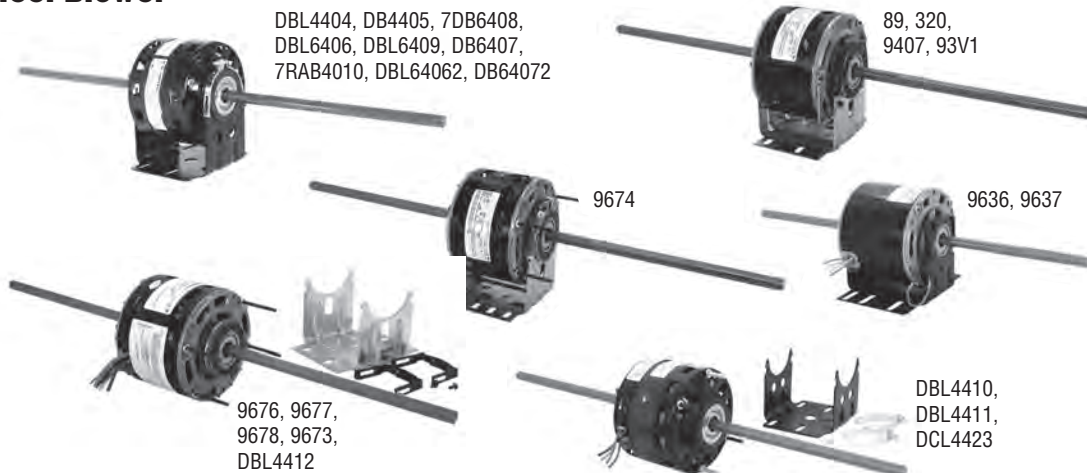


# 5" Diameter Double Shaft Fan/Blower Motors Resilient Base

## Fan Coils - Dual Wheel Blower

### Features:

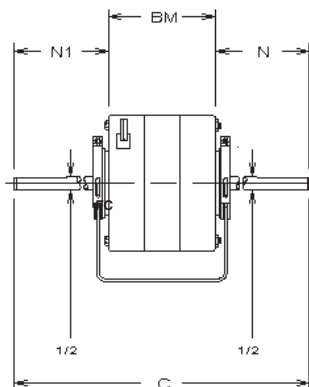
- Auto Protector
- Continuous Air Over
- Open Construction
- Resilient Base
- Sleeve Bearing
- 1/2" Dia.- Flatted Shafts
- 40° C Ambient
- 3-1/2" Shaft Height
- 60 HZ only
- 42 Frame (5.0" Dia.)



HP	RPM	Speeds	Volts	Amps	Stock Number	Rotation	Dim. Ref.	Notes
<b>SHADED POLE</b>								
1/35~1/60~1/100~1/150	1050	4	115	2.0-1.1-.88-.67	<b>9673</b>	CCWLE	12	24
1/15~1/20~1/30~1/50	1050	4	115	2.4-1.6-1.1-0.8	<b>9674</b>	CWLE	6	6,47
1/15~1/25~1/40	1050	3	208-230	1.3-.71-.50	<b>320</b>	CWLE	5	6
1/10~1/15	1050	2	115	3.7-2.6	<b>DBL64062</b>	CCWLE	9	294
1/10~1/15~1/20~1/25	1050	4	115	3.4-2.0-1.7-1.5	<b>DBL6406</b>	CCWLE	2	
1/10~1/15~1/20~1/25~1/30	1050	5	115	3.5-2.8-2.2-1.9-1.6	<b>DBL6409</b>	CCWLE	3	
1/10~1/20~1/30~1/40~1/70	1050	5	115	3.2-2.3-1.7-1.4-.96	<b>93V1</b>	CWLE	8	47,150
1/10~1/20~1/30~1/40~1/70	1050	5	115	3.2-2.3-1.7-1.4-.96	<b>89</b>	CWLE	7	6
1/10~1/15	1050	2	208-230	1.9	<b>DB64072</b>	CCWLE	1	294
1/10~1/15~1/20~1/25	1050	4	208-230	1.6-0.9-0.8-0.7	<b>DB6407</b>	CCWLE	1	
1/10~1/15~1/20~1/25	1050	4	277	1.3.08-.07-.06	<b>7DB6408</b>	CCWLE	1	
1/10~1/15~1/20~1/25	1050	4	277	1.6-1.1-.83-.74	<b>7RAB4010</b>	CCWLE	11	288,294
1/10~1/15~1/20	1550	3	115	3.5-1.7-1.4	<b>DBL4404</b>	CCWLE	1	
1/10~1/15~1/20	1550	3	115	4.0-2.5-1.7	<b>9407</b>	CCWLE	4	
1/10~1/12~1/20~1/25	1550	4	115	3.5-2.6-1.9-1.6	<b>DBL4410</b>	CCWLE	1	24
1/10~1/12~1/20~1/25	1550	4	115	3.5-2.6-1.9-1.6	<b>DBL4411</b>	CCWLE	1	24,47
1/10~1/15~1/20	1550	3	230	1.8-0.9-0.7	<b>DB4405</b>	CCWLE	2	
1/10~1/12~1/15~1/20	1550	4	208-230	2.1-1.5-1.2-1.0	<b>DBL4412</b>	CCWLE	13	24,47
1/8~1/12~1/15~1/20	1050	4	115	4.4-3.0-2.3-2.1	<b>9676</b>	CCWLE	14	24
1/6~1/8	1050	2	115	5.8-3.6	<b>9636</b>	CCWLE	10	
1/6~1/10~1/12~1/15	1050	4	115	8.6-4.2-3.1-2.6	<b>9677</b>	CCWLE	10	24
1/6	1050	2	230	2.9	<b>9637</b>	CCWLE	10	
1/6~1/10~1/12~1/15	1550	4	115	4.0-2.4-1.9-1.6	<b>DCL4423</b>	CCWLE	13	24
1/4~1/8~1/10~1/12	1050	4	115	8.5-4.7-3.8-3.4	<b>9678</b>	CCWLE	15	24

### Notes:

- 6. 60/50 HZ
- 24. Mounting accessories packaged with motor
- 47. 3/8" dia. shaft
- 150. Rated 50/60 HZ
- 288. 26" leads (minimum)
- 294. 2.6" shaft height



### Approximate Dimensions

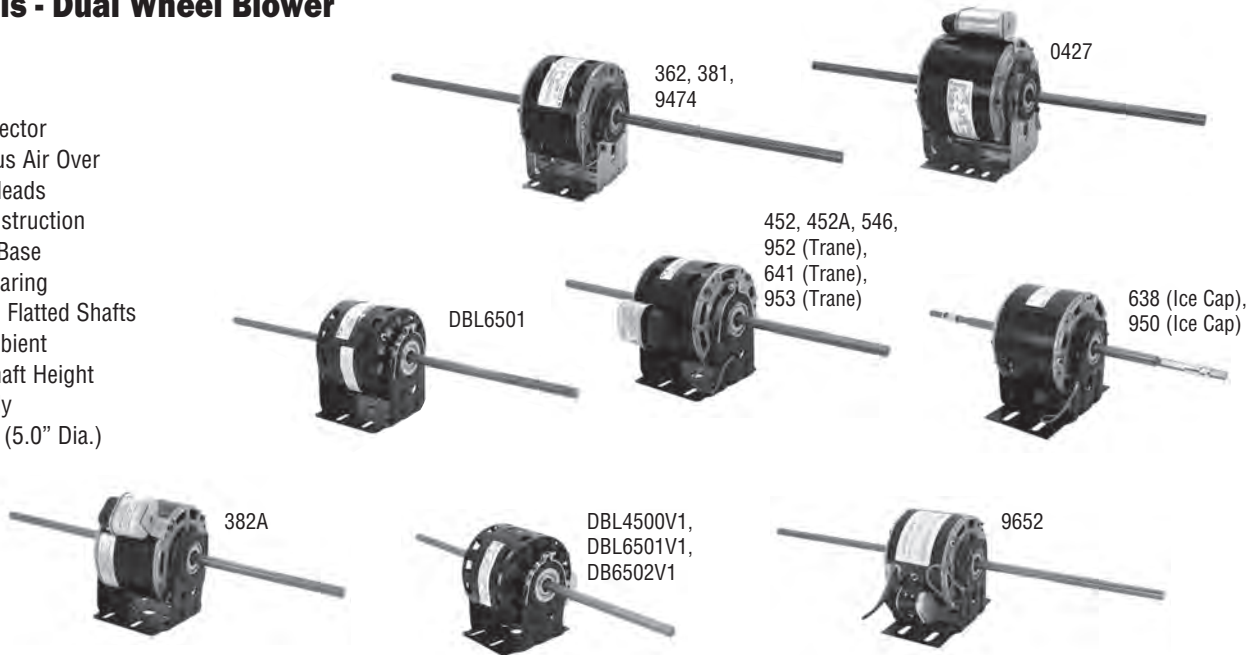
Ref.	BM	FC	N1/N
1	3-3/8	22	9-5/16
2	3-3/8	24	10-5/16
3	3-3/8	24	10-5/16
4	3-3/4	22-1/2	9-3/8
5	3-1/4	20-7/8	8-7/8
6	3-1/2	19-7/8	8-3/16
7	3-1/2	24-7/8	10-11/16
8	3-1/2	23-1/2	10
9	3-3/8	24	9-3/4
10	4-1/4	21-1/4	8-1/2
11	3-13/16	21-1/2	8-13/16
12	3-3/4	20-3/4	8-1/2
13	4	21	8-1/2
14	4	25	10-1/2
15	5-1/4	22-3/4	8-3/4

# 5" Diameter Double Shaft Fan/Blower Motors Resilient Base

## Fan Coils - Dual Wheel Blower

### Features:

- Auto Protector
- Continuous Air Over
- Min. 36" leads
- Open Construction
- Resilient Base
- Sleeve Bearing
- 1/2" Dia. - Flatted Shafts
- 40° C Ambient
- 3-1/2" Shaft Height
- 60 HZ only
- 42 Frame (5.0" Dia.)



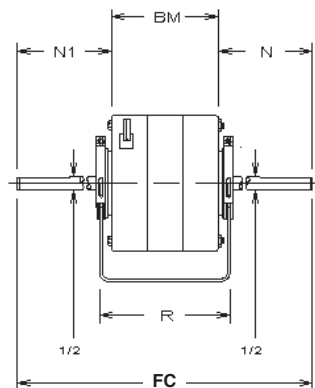
HP	RPM	Speeds	Volts	Amps	Stock Number	Rotation	Capacitor	Dim. Ref.	Notes
<b>PERMANENT SPLIT CAPACITOR</b>									
1/30~1/100~1/200	1100	3	115	.74-.31-.22	952	CWLE	Included	3	3
1/30~1/60~1/125	1075	3	115	.5-.4-.3	641	CWLE	Included	7	3,198
1/25~1/40~1/50	1625	3	115	.73-.49-.37	382A	CWLE	Included	4	
1/20~1/30~1/50~1/75	1075	4	115	.78-.55-.36-.27	546	CWLE	Included	6	
1/20~1/25~1/35~1/50	1075	4	115	.8-.62-.45-.38	452	CWLE	Included	6	47
1/20~1/25~1/35~1/50	1075	4	115	.80-.62-.45-.38	452A	CWLE	Included	4	
1/20~1/30	1320	2	277	.48-.38	0427	CCWLE	Included	8	
1/15~1/45~1/60	1100	3	115	.8-.5-.35	953	CWLE	Included	9	3
1/15~1/20~1/25~1/35	1075	4	115	1.2-.8-.7-.6	9474	CCWLE	5MFD-370V	10	32
1/10~1/15~1/25~1/35	1075	4	115	1.7-1.3-.85-.62	362	CWLE	5MFD-370V	6	
1/10~1/12~1/15~1/20	1075	4	115	1.7-1.6-0.9-0.8	DBL6501	CCWLE	5MFD-370V	2	
1/10~1/12~1/15~1/20	1075	4	115	1.7-1.6-0.9-0.8	DBL6501V1	CCWLE	Included	1	
1/10~1/15~1/20	1075	3	208-230	.81-.56-.44	381	CWLE	5MFD-370V	6	
1/10~1/15~1/20~1/25	1075	4	208-230	0.7-0.5-0.4-0.3	DB6502V1	CCWLE	Included	1	
1/10~1/20~1/35	1695	3	115	.87-.7-.5	638	CWLE	4MFD-370V	11	3,47,284
1/10~1/12~1/15	1625	3	115	1.3-1.0-.7	DBL4500V1	CCWLE	Included	1	
1/10~1/20~1/35	1500	3	208-230	.7-.5-.4	950	CWLE	4MFD-370V	11	3,284
1/10~1/20~1/35	1500	3	208-230	.7-.5-.4	9652	CCWLE	Included	5	284

### Notes:

- 3. Special OEM Replacement Motor (see pages 94-132)
- 32. 24" leads
- 47. 3/8" dia. shaft
- 198. Impedance protected
- 284. 31" leads

Continues on next page

### Approximate Dimensions



Ref.	BM	R	FC	N1	N
1	3-3/8	4-1/8	22	9-5/16	9-5/16
2	3-3/8	4-1/8	24	10-5/16	10-5/16
3	3-1/4	3-3/4	21	8-1/2	9-1/8
4	3-1/2	4	23	9-3/4	9-3/4
5	3-3/4	4-1/2	23-1/4	9-3/4	9-3/4
6	3-1/2	4	24-7/8	10-11/16	10-11/16
7	3-1/2	4	21	9	8-1/2
8	4-1/4	4-3/4	21	8-3/8	8-3/8
9	3-3/4	4-1/4	25-3/8	10-3/4	10-15/16
10	3-3/4	4-1/4	25-3/4	11	11
11	3-3/4	4-1/4	16-3/4	6-1/2	6-1/2

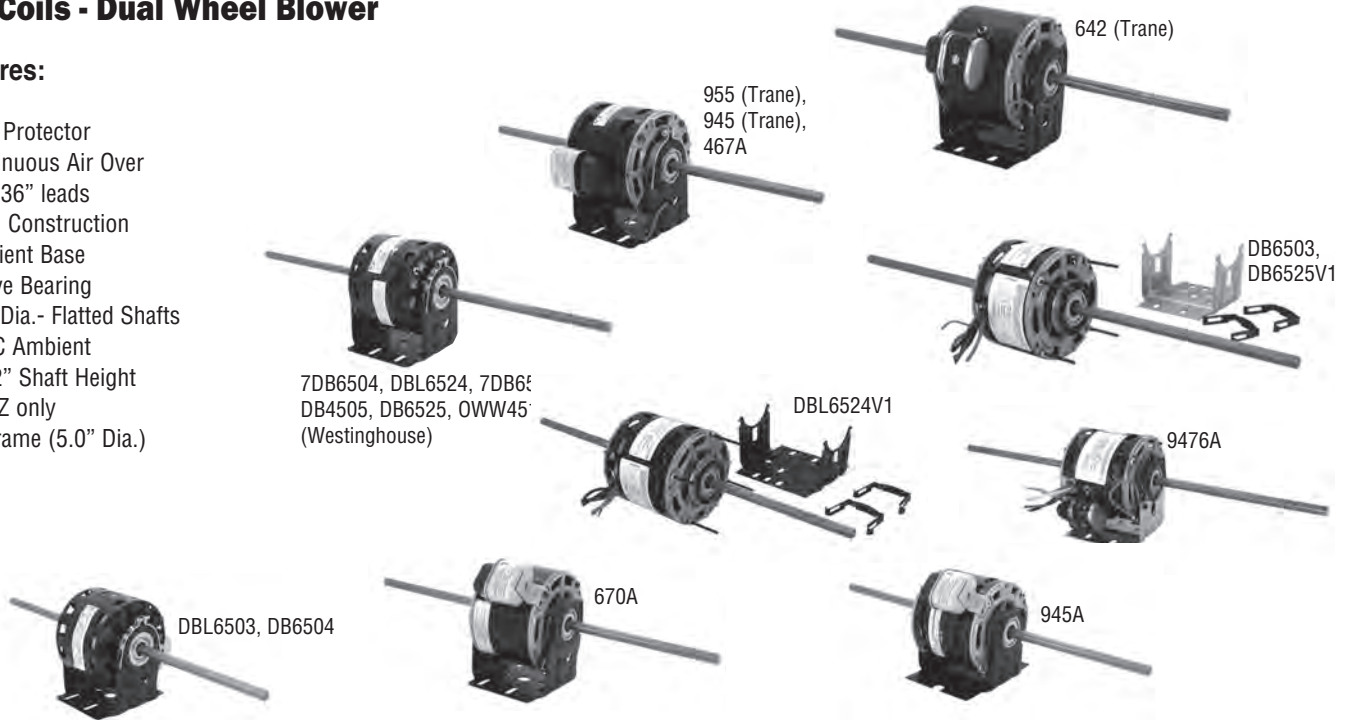


# 5" Diameter Double Shaft Fan/Blower Motors Resilient Base

## Fan Coils - Dual Wheel Blower

### Features:

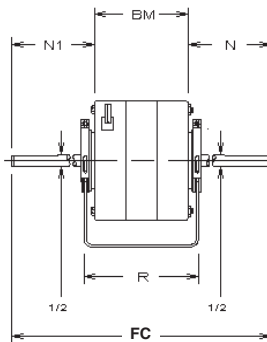
- Auto Protector
- Continuous Air Over
- Min. 36" leads
- Open Construction
- Resilient Base
- Sleeve Bearing
- 1/2" Dia. - Flatted Shafts
- 40° C Ambient
- 3-1/2" Shaft Height
- 60 HZ only
- 42 Frame (5.0" Dia.)



HP	RPM	Speeds	Volts	Amps	Stock Number	Rotation	Capacitor	Dim. Ref.	Notes
<b>PERMANENT SPLIT CAPACITOR</b>									
1/8~1/10~1/15	1075	3	115	2.4-1.4-.92	<b>DBL6503</b>	CCWLE	Included	12	302
1/8~1/10~1/12~1/15	1075	4	208-230	1.2-.81-.68-.55	<b>DB6503</b>	CCWLE	5MFD-370V	3	288
1/8~1/10~1/12	1075	3	277	0.8-0.7-0.5	<b>7DB6503</b>	CCWLE	5MFD-370V	1	
1/8~1/20~1/30	1500	3	115	1.2-.7-.4	<b>945</b>	CWLE	Included	13	3
1/8~1/20~1/30	1500	3	115	1.2-0.7-0.4	<b>945A</b>	CCWLE	Included	9	
1/6~1/10~1/20	1075	3	115	2.7-1.6-1.0	<b>670A</b>	CWLE	Included	11	
1/6~1/8~1/10	1075	3	208-230	1.4-1.2-.81	<b>DB6504</b>	CCWLE	Included	9	150,302
1/6~1/8~1/10	1075	3	277	0.9-0.7-0.5	<b>7DB6504</b>	CCWLE	5MFD-370V	1	
1/6~1/12~1/20	1500	3	115	2.0-1.1-.7	<b>955</b>	CWLE	Included	8	3
1/6~1/8~1/10~1/15	1625	4	115	2.2-1.6-1.1-0.9	<b>9476A</b>	CCWLE	Included	10	288
1/5~1/10~1/20	1500	3	230	1.5	<b>DB4505</b>	CCWLE	5MFD-370V	1	
1/5~1/8~1/10	1625	3	208-230	1.0-.76-.61	<b>467A</b>	CCWLE	Included	6	3
1/4~1/6~1/10	1050	3	115	5.6	<b>DBL6524</b>	CCWLE	7.5MFD-370V	4	
1/4~1/6~1/8~1/10	1075	4	115	4.1-2.7-2.2-1.8	<b>DBL6524V1</b>	CCWLE	7.5MFD-370V	2	288
1/4~1/6~1/10	1075	3	208-230	2.0	<b>DB6525</b>	CCWLE	7.5MFD-370V	4	
1/4~1/6~1/8~1/10	1075	4	208-230	1.6-1.2-.90-.71	<b>DB6525V1</b>	CCWLE	7.5MFD-370V	2	288
1/4~1/8~1/20	1475	3	277	1.1-1.0-0.7	<b>642</b>	CWLE	Included	7	3
1/3	1625	1	208-230	2.3	<b>OWW4517</b>	CCWLE	6MFD-370V	5	3,150,287

### Notes:

- 3. Special OEM Replacement Motor (see pages 94-132)
- 150. Rated 50/60 HZ
- 287. 3" shaft height
- 288. 26" leads
- 302. 11" leads (minimum)



### Approximate Dimensions

Ref.	BM	FC	N1	N
1	3-3/8	22	9-5/16	9-5/16
2	4-3/4	21-3/4	8-1/2	8-1/2
3	3-1/2	24-1/2	10-1/2	10-1/2
4	4-1/16	24	10	10
5	4-1/16	18-7/16	7-3/16	7-3/16
6	4	23-1/4	9-5/8	9-5/8
7	3-3/8	20	8	8
8	3-1/2	24-7/8	10-3/8	10-3/8
9	4	23-1/2	9-3/4	9-3/4
10	4-1/2	24	9-3/4	9-3/4
11	4-1/4	22-3/4	9-1/4	9-1/4
12	3-1/2	23-1/8	9-3/4	9-3/4
13	4	20-1/2	7-1/2	9

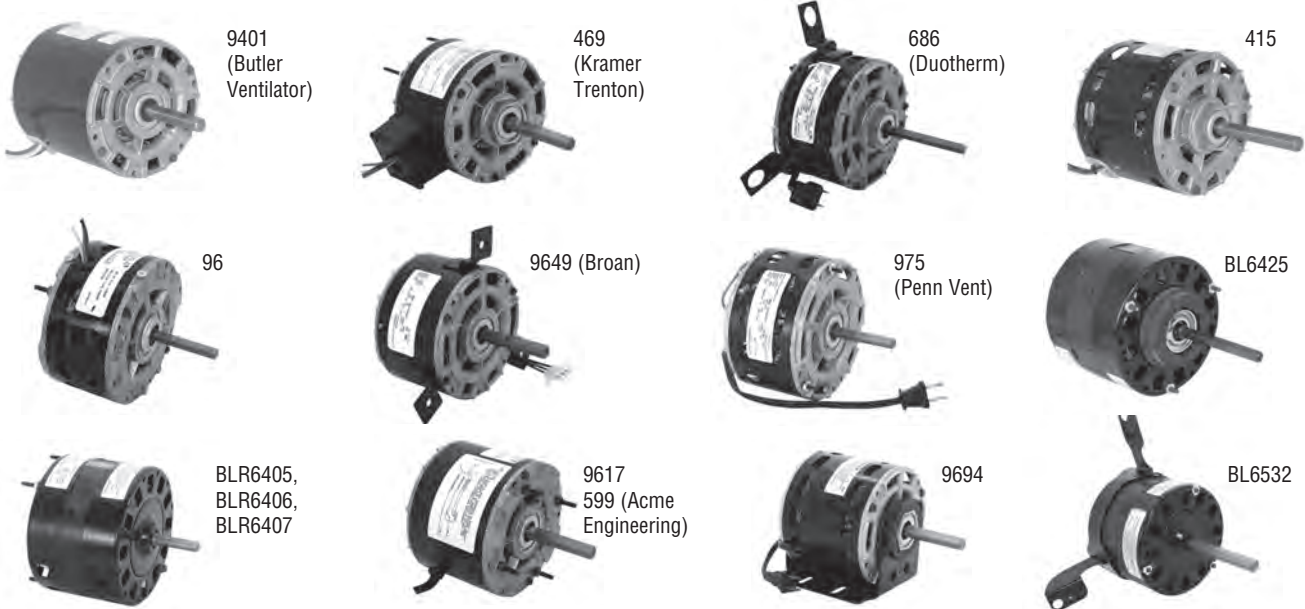
# 5" Diameter Single Shaft Open Fan/Blower Motors

## Furnace Blowers - Attic Ventilators - Air Handlers - Fan Coils

### Features:

- Continuous Duty, Air Over • Shaded Pole • 60 Hz • Auto Protector • 40°C Ambient

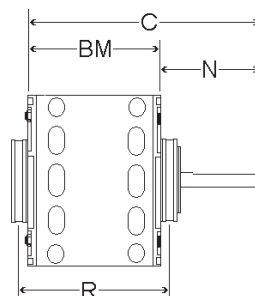
OEM replacement for: Intertherm, Triangle Engineering, Butler Ventimatic, Tuttle & Bailey, Leigh Products, Nutone, Kool-O-Matic, Luxaire, Duotherm, Lennox, Coleman, Lear Siegler, Bryant, Janitrol, Westinghouse, American Standard, Miller, Johnson, Preway, etc.



HP	RPM	Speeds	Volts	Amps	Stock Number	Bearings	Rotation	Dim. Ref.	Notes
1/20	1045	1	115	2.3	975	Sleeve	CCWLE	1	3,4,26,47
1/15	1000	1	115	3.2	686	Sleeve	CCWLE	2	3,4,47
1/15	1000	1	115	3.2	9694	Sleeve	CCWLE	10	81
1/15	1050	1	115	2.8	BLR6407	Sleeve	CCWLE	9	41,47,357
1/15~1/25	1050	2	115	3.5-1.8	BLR6405	Sleeve	CCWLE	9	41,47,357
1/15~1/30	1050	2	115	3.0-1.4	96	Sleeve	CCWLE	3	41,47,358
1/12	1050	1	115	2.9	9649	Sleeve	CCWLE	5	3,77
1/12	1050	1	115	2.5	415	Ball	CCWLE	4	41,47
1/12	1050	1	115/230	2.7/1.3	469	Sleeve	CCWLE	4	3,41,100,358
1/10	1050	1	115	3.4	9401	Sleeve	CCWLE	5	3,100
1/10	1050	1	115	4.3	9617	Sleeve	CCWLE	6	27,100,359
1/10	1050	1	115	4.0	BLR6406	Sleeve	CCWLE	12	41,47,357
1/10~1/12~1/15	1050	3	115	3.2	BL6425	Sleeve	CCWLE	8	22,26,47,58
1/10~1/12~1/15	1050	3	115	3.2-2.6-2.0	BL6532	Sleeve	CCWLE	11	
1/10~1/20~1/30	1550	3	115	3.0-1.7-1.0	599	Ball	CWLE	7	3,26,100,359

### Notes:

3. Special OEM Replacement Motor (see pages 94-132)
4. Supplied with lead & plug assembly
22. 3 thru bolts, 4.42 dia. bolt circle
26. Extended thru bolts, shaft end only
27. Extended thru bolts, both ends
41. Extended thru bolts, lead end only
47. 3/8" flattened shaft
58. Supplied with resilient mounting rings
77. Molex terminal plug
81. Includes base
100. 1/2" diameter shaft
357. 4 thru bolts, on 4.42" dia. bolt circle
358. 4 thru bolts, on 4.62" dia. bolt circle
359. 4 studs with spacer and nut on a 3.87" dia. bolt circle



Continues on next page

### Approximate Dimensions

Ref.	BM	C	N	R
1	3.00	5.25	2.25	
2	3.00	6.71	3.71	
3	2.75	5.09	2.34	
4	3.50	6.83	3.33	
5	3.25	5.96	2.71	
6	3.00	7.50	4.50	
7	3.75	6.34	2.59	
8	3.84	7.71	3.87	4.40
9	3.34	5.22	1.88	
10	3.50	7.21	3.71	
11	3.84	8.84	5.00	
12	3.84	6.00	1.88	

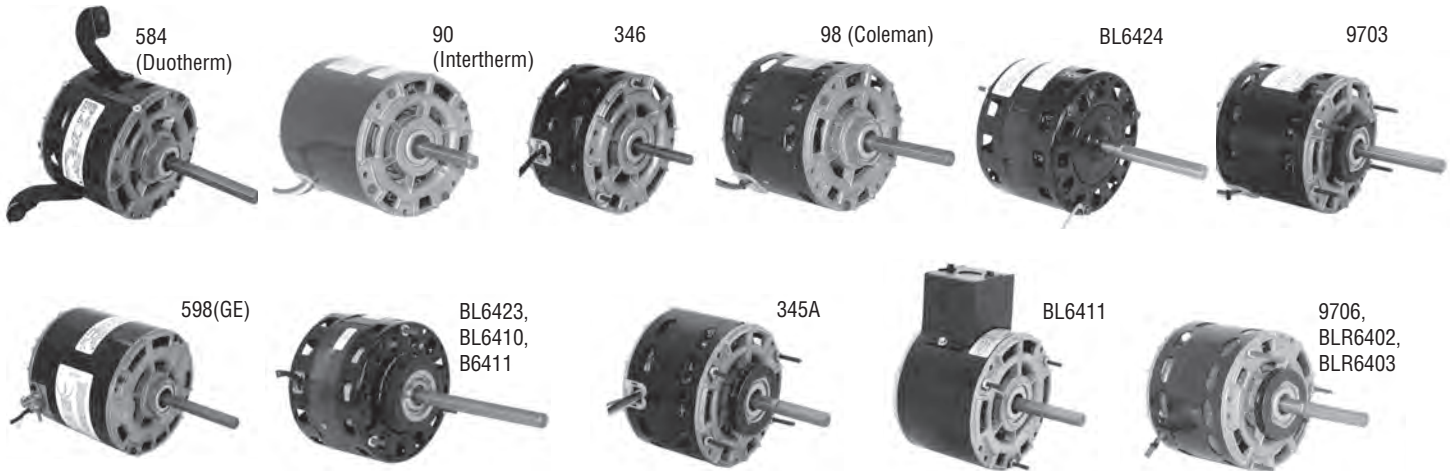
## 5" Diameter Single Shaft Open Fan/Blower Motors

### Furnace Blowers - Attic Ventilators - Air Handlers - Fan Coils

**Features:**

- Continuous Duty, Air Over • Shaded Pole • 60 Hz • Auto Protector • 40°C Ambient • 1/2" Dia. Flatted Shaft

OEM replacement for: Intertherm, Triangle Engineering, Butler Ventimatic, Tuttle & Bailey, Leigh Products, Nutone, Kool-O-Matic, Luxaire, Duotherm, Lennox, Coleman, Lear Siegler, Bryant, Janitrol, Westinghouse, American Standard, Miller, Johnson, Preway, etc.



HP	RPM	Speeds	Volts	Amps	Stock Number	Bearings	Rotation	Dim. Ref.	Notes
1/8	1050	1	115	4.2	<b>584</b>	Sleeve	CCWLE	1	3
1/8	1050	1	115	5.2	<b>BL6410</b>	Sleeve	CCWLE	8	7,22,26
1/8	1050	1	115	5.2	<b>BLR6403</b>	Sleeve	CCWLE	8	7,22,26
1/8	1050	1	115	5.2	<b>9706</b>	Sleeve	CCWLE	10	7,26
1/8~1/11	1050	2	115	5.0	<b>BL6423</b>	Sleeve	CCWLE	6	7,26,57,347
1/8~1/11	1050	2	115	5.0	<b>BL6424</b>	Sleeve	CCWLE	7	22,41,57
1/8~1/10	1050	2	115	5.2-3.5	<b>90</b>	Sleeve	CCWLE	2	3,4
1/8~1/10	1050	2	115	4.8-3.3	<b>346</b>	Sleeve	CCWLE	3	57
1/8~1/10~1/12	1050	3	115	5.1-3.5-3.0	<b>98</b>	Sleeve	CCWLE	4	3,57
1/8~1/10~1/12	1050	3	115	5.1-3.5-3.0	<b>9703</b>	Sleeve	CCWLE	9	7,26
1/8	1050	1	208-230	2.6	<b>B6411</b>	Sleeve	CCWLE	8	7,22,26
1/8	1550	1	230	1.9	<b>598</b>	Sleeve	CCWLE	5	3
1/6	1000	1	115	5.7	<b>BL6411</b>	Sleeve	CCWLE	12	347
1/6	1050	1	115	5.5	<b>BLR6402</b>	Sleeve	CCWLE	11	7,26
1/6	1050	1	115	7.0	<b>345A</b>	Sleeve	CCWLE	13	7,26

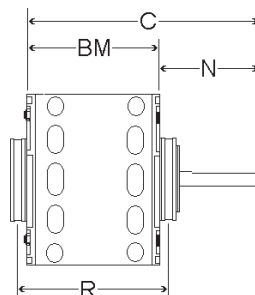
**Notes:**

- 3. Special OEM Replacement Motor (see pages 94-132)
- 4. Supplied with Lead & Plug Assembly
- 7. Resilient mounting rings included
- 22. 3 thru Bolts, 4.42 dia. Bolt Circle
- 26. Extended thru bolts, shaft end only
- 41. Extended thru bolts, lead end only
- 57. Tapped holes for Coleman mount
- 347. 3 thru bolts, 4.62 dia. bolt circle

Continues on next page

**Approximate Dimensions**

Ref.	BM	C	N	R
1	3.75	7.83	4.08	
2	3.75	7.46	3.71	
3	4.00	8.46	4.46	
4	4.25	7.96	3.71	
5	4.25	7.33	3.08	
6	3.34	7.13	3.80	4.00
7	3.90	7.67	3.77	
8	3.34	8.88	5.54	3.88
9	4.25	7.96	3.71	4.81
10	4.25	8.75	4.50	4.81
11	3.84	7.92	3.54	4.58
12	4.00	6.50	2.50	
13	4.00	7.71	3.71	4.47



# 5" Diameter Single Shaft Open Fan/Blower Motors

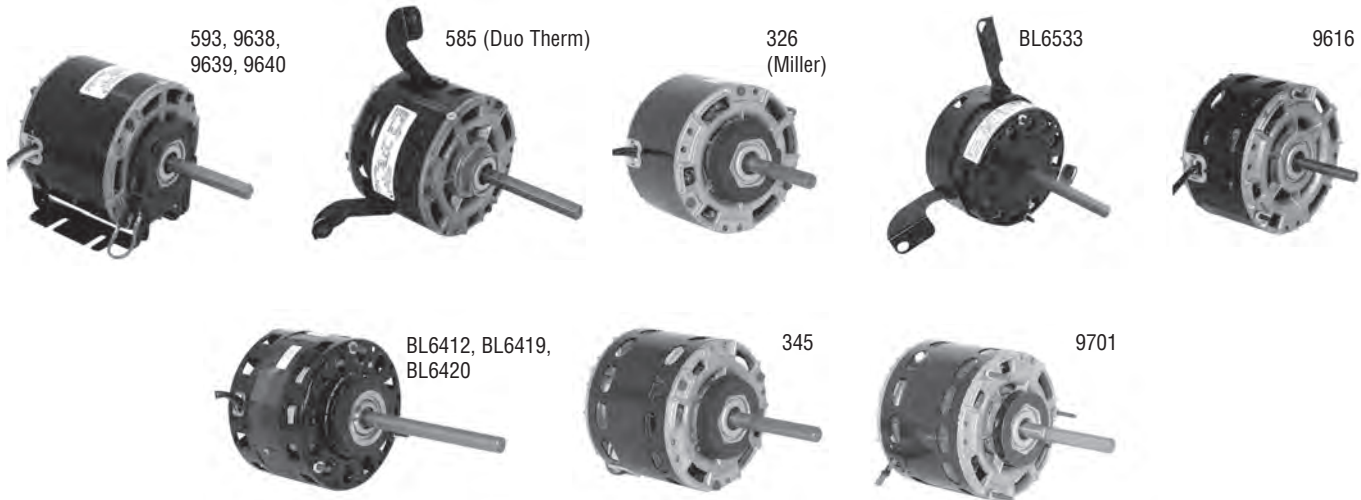
Continued from previous page

## Furnace Blowers - Attic Ventilators - Air Handlers - Fan Coils

### Features:

- Continuous Duty, Air Over • Shaded Pole • 60 Hz • Auto Protector • 40°C Ambient • 1/2" Flatted Shaft

OEM replacement for: Intertherm, Triangle Engineering, Butler Ventimatic, Tuttle & Bailey, Leigh Products, Nutone, Kool-O-Matic, Luxaire, Duotherm, Lennox, Coleman, Lear Siegler, Bryant, Janitrol, Westinghouse, American Standard, Miller, Johnson, Preway, etc.

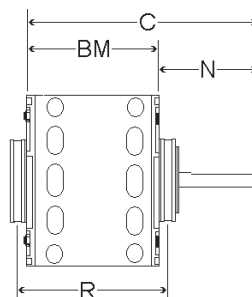


HP	RPM	Speeds	Volts	Amps	Stock Number	Bearings	Rotation	Dim. Ref.	Notes
1/10	1550	1	115	5.0	9639	Sleeve	CWLE	5	81
1/10	1550	1	230	2.9	9638	Sleeve	CWLE	5	81
1/7	1050	1	115	5.2	326	Sleeve	CCWLE	1	3,4,7
1/6	1050	1	115	7.0	345	Sleeve	CCWLE	2	7
1/6	1050	1	115	7.9	585	Sleeve	CCWLE	3	3
1/6	1050	1	115	5.5	BL6412	Sleeve	CCWLE	6	7,22,26
1/6~1/9	1050	2	115	5.6	BL6420	Sleeve	CCWLE	7	7,22,26
1/6~1/12~1/15	1050	3	115	5.3-2.8-2.2	BL6533	Sleeve	CCWLE	8	
1/6~1/8~1/10	1050	3	115	6.3-3.7-3.0	9701	Sleeve	CCWLE	9	7,26
1/6~1/8~1/10~1/12	1050	4	115	5.5	BL6419	Sleeve	CCWLE	7	7,22,26
1/6	1550	1	115	6.4	9640	Sleeve	CWLE	5	81
1/6	1550	1	115	7.1	9616	Sleeve	CCWLE	4	41
1/6	1550	1	208-230	3.2	593	Sleeve	CWLE	5	81

### Notes:

- Special OEM Replacement Motor (see pages 94-132)
- Supplied with Lead & Plug Assembly
- Resilient Mounting Rings Included
- 3 Thru Bolts, 4.42 dia. Bolt Circle
- Extended thru bolts, shaft end only
- Extended thru bolts, lead end only
- Includes base

Continues on next page



### Approximate Dimensions

Ref.	BM	C	N	R
1	3.50	6.96	3.46	4.33
2	4.00	7.71	3.71	4.47
3	4.25	8.21	3.96	
4	4.50	6.80	2.30	
5	4.00	7.33	3.33	
6	3.84	7.50	3.66	4.58
7	3.84	8.25	4.41	4.40
8	3.84	8.74	4.62	
9	4.09	8.59	4.50	4.58

## 5" Diameter Single Shaft Open Fan/Blower Motors

### Furnace Blowers - Attic Ventilators - Air Handlers - Fan Coils

**Features:**

- Continuous Duty, Air Over • Shaded Pole • 60 Hz • Auto Protector • 40°C Ambient
- 1/2" Flatted Shaft

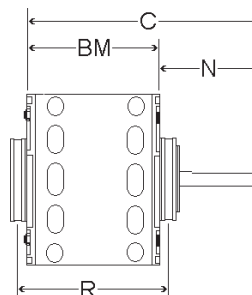
OEM replacement for: Intertherm, Triangle Engineering, Butler Ventimatic, Tuttle & Bailey, Leigh Products, Nutone, Kool-O-Matic, Luxaire, Duotherm, Lennox, Coleman, Lear Siegler, Bryant, Janitrol, Westinghouse, American Standard, Miller, Johnson, Preway, etc.



HP	RPM	Speeds	Volts	Amps	Stock Number	Bearings	Rotation	Dim. Ref.	Notes
1/5	1050	1	115	6.7	9690	Sleeve	CCWLE	9	7,26
1/5	1050	1	115	6.0	BL6413	Sleeve	CCWLE	6	7,22,26
1/5~1/8	1050	2	115	6.8-4.2	684	Sleeve	CCWLE	2	7,26,123
1/5~1/6~1/8	1050	3	115	6.8-5.3-4.2	385	Sleeve	CCWLE	3	7,26
1/5~1/6~1/8	1050	3	115	6.8-5.3-4.2	9695	Sleeve	CCWLE	10	7,26
1/5~1/6~1/8	1075	3	115	6.4-4.8-3.7	9403	Sleeve	CCWLE	5	3,7
1/5~1/8~1/10	1050	3	115	6.5-4.0-3.0	BL6414	Sleeve	CCWLE	7	7,22,26
1/5~1/7~1/9~1/12	1050	4	115	7.9-5.8-4.3-3.5	559	Sleeve	CCWLE	4	7,26
1/5~1/8~1/10~1/15	1050	4	115	7.1	BL6416	Sleeve	CCWLE	8	7,22,26
1/5~1/8~1/10	1050	3	208-230	3.2-2.1-1.5	B6415	Sleeve	CCWLE	7	7,22,26
1/5~1/6~1/8	1050	3	208-230	3.4-2.7-2.2	429	Sleeve	CCWLE	3	7,26
1/5~1/6~1/8	1050	3	208-230	3.4-2.7-2.2	9696	Sleeve	CCWLE	10	7,26
1/4	1050	1	115	8.9	BL6531	Sleeve	CCWLE	11	
1/4	1050	1	115	9.4	BLR640S	Sleeve	CCWLE	12	7,26,357
1/4	1050	1	115	12.3	BLR6401	Sleeve	CCWLE	13	7,26
1/4~1/6~1/8	1050	3	115	8.2-4.3-3.4	BL6534	Sleeve	CCWLE	11	
1/4~1/6~1/8	1050	3	115	8.2-4.2-3.4	BLR6404	Sleeve	CCWLE	12	7,26,357

**Notes:**

- 3. Special OEM Replacement Motor (see pages 94-132)
- 7. Resilient Mounting Rings Included
- 22. 3 Thru Bolts, 4.42" dia. Bolt Circle
- 26. Extended thru bolts, shaft end only
- 123. Stock 684 "BM" dimension was 4", motors built after 4/98 will have an "BM" dimension of 3-3/4")
- 357. 4 thru bolts, 4.42" dia. bolt circle



**Approximate Dimensions**

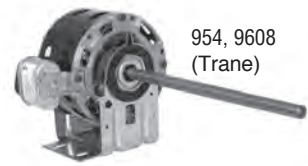
Ref.	BM	C	N	R
1	4.00	7.75	3.75	
2	3.75	7.59	3.84	4.22
3	4.00	7.84	3.84	4.56
4	4.00	8.08	4.08	4.56
5	4.00	6.97	2.97	4.56
6	3.34	8.88	5.54	4.08
7	3.84	9.38	5.54	4.58
8	3.84	6.50	2.66	4.58
9	4.00	7.75	3.75	4.56
10	5.00	10.50	5.50	5.56
11	4.09	8.59	4.50	
12	4.34	8.84	4.50	5.08
13	5.00	8.13	3.13	5.56

# 5" Diameter Single Shaft Open Fan/Blower Motors

## Furnace Blowers - Air Handlers - Fan Coils - Air Conditioning

### Features:

- Auto Protector
- Continuous Air Over
- Open Construction
- Permanent Split Capacitor
- 1/2" Dia. Flatted Shaft
- 42 Frame
- 60 Hz
- Sleeve Bearing



OEM Replacements for: Reznor, Luxaire, Armstrong, Payne, Day & Night, Bryant, Bohn, Intertherm, Kodair, Dole, Coleman, Janitrol, Steward Warner, International Heater Etc.



HP	RPM	Speeds	Volts	Amps	Stock Number	Rotation	Capacitor	Dim. Ref.	Notes
1/30~1/150 ~1/200	1100	3	115	.6-.2-.2	954	CCWSE	Included	1	3,81
1/30~1/150 ~1/200	1100	3	115	.6-.2-.2	9643	REV	5MFD-370V	5	7,26
1/20~1/35	1050	2	115	.94-.54	485	REV	4MFD-370V	2	3
1/20~1/75~1/120	1100	3	115	.6-.3-.23	9608	REV	Included	3	3,81
1/10~1/15~1/30	1075	3	115	1.6-.84-.53	9709	REV	5MFD-370V	6	7,27
1/10~1/15~1/25~1/35	1075	4	115	1.7-1.3-.85-.62	669	REV	Included	4	7
1/10~1/12~1/15	1075	3	230	.7-.48-.36	9711	REV	5MFD-370V	6	7,27
1/10~1/15~1/30	1625	3	115	2.1-1.0-.63	9708	REV	5MFD-370V	6	7,27
1/10~1/20~1/30	1625	3	208-230	.84-.37-.25	9710	REV	5MFD-370V	6	6,7,27

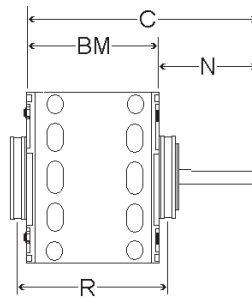
### Notes:

3. Special OEM Replacement Motor (see pages 94-132)
6. 60/50 HZ
7. Resilient mounting rings included
26. Extended thru bolts, shaft end
27. Extended thru bolts, both ends
81. Includes base

Continues on next page

### Approximate Dimensions

Ref.	BM	C	N	R
1	4.00	12.50	8.50	
2	3.25	5.96	2.71	
3	3.25	13.10	9.85	
4	3.50	12.08	8.58	4.06
5	4.00	12.50	8.50	4.47
6	4.25	10.00	5.75	4.81

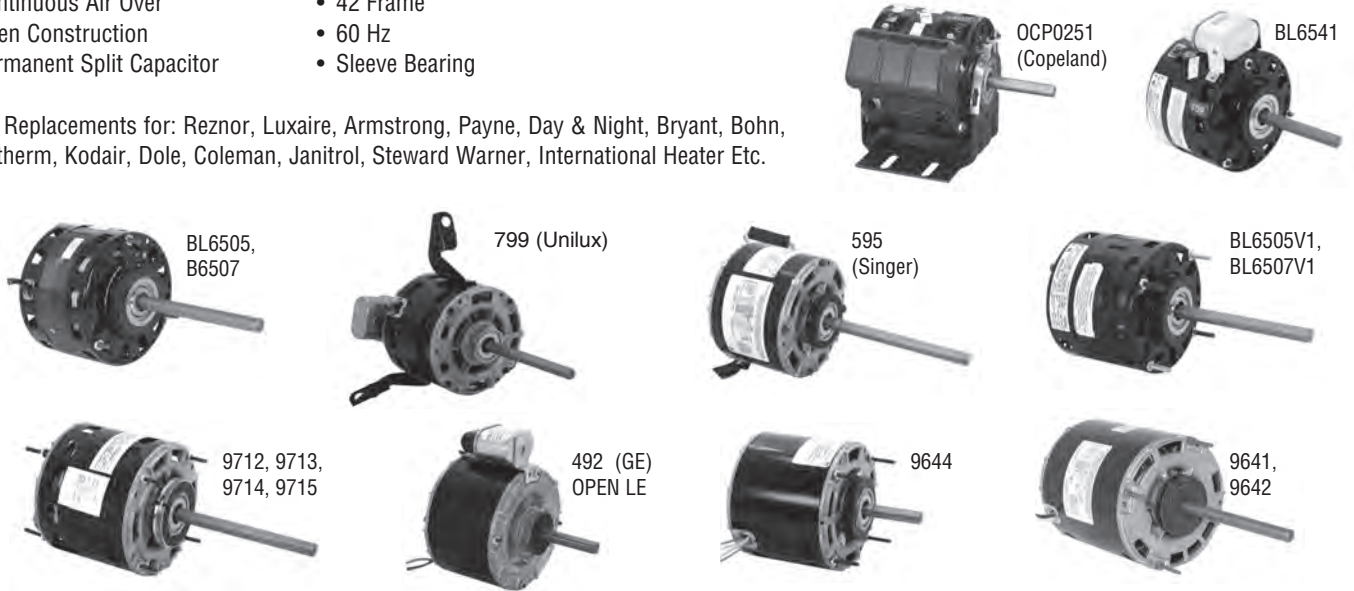


## Furnaces - Air Handlers - Fan Coils - Air Conditioning

### Features:

- Auto Protector
- Continuous Air Over
- Open Construction
- Permanent Split Capacitor
- 1/2" Dia. Flatted Shaft
- 42 Frame
- 60 Hz
- Sleeve Bearing

OEM Replacements for: Reznor, Luxaire, Armstrong, Payne, Day & Night, Bryant, Bohn, Intertherm, Kodair, Dole, Coleman, Janitrol, Steward Warner, International Heater Etc.

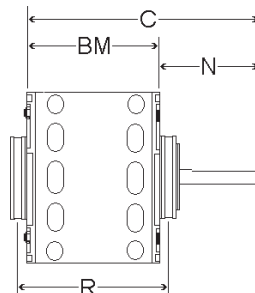


HP	RPM	Speeds	Volts	Amps	Stock Number	Rotation	Capacitor	Dim. Ref.	Notes
1/8	1075	1	115	2.7	9641	REV	5MFD-370V	1	7,9,26
1/8~1/12~1/20	1075	3	115	2.2-1.2-.93	9713	REV	5MFD-370V	6	7,27
1/8~1/12~1/14	1075	3	115	.2.5-1.6-1.3	9644	REV	5MFD-370V	1	7,9,26
1/8~1/10~1/15~1/20	1075	4	115	2.2	BL6541	CCWLE	Included	3	7
1/8~1/10~1/15~1/20~1/30	1000	5	115	2.6-2.1-1.8-1.0-0.7	799	CWSE	Included	2	3
1/8~1/12~1/14	1075	3	277	.83-.59-.49	595	REV	5MFD-370V	1	3,7
1/8~1/15~1/40	1625	3	115	1.9-.94-.56	9712	REV	5MFD-370V	6	7,27
1/8	1550	1	230	1.1	492	CWSE	Included	4	3
1/6~1/8~1/12	1075	3	115	3.1-2.0-1.4	9715	REV	5MFD-370V	7	7,27
1/6~1/8~1/12	1625	3	115	2.4-1.7-1.1	9714	REV	5MFD-370V	7	7,27
1/6	1625	1	230	1.5	OCP0251	CCWSE	Included	9	3,150
1/5	1075	1	115	3.3	9642	REV	7.5MFD-370V	8	7,9,26
1/5~1/8~1/10	1075	3	115	3.2-2.1-1.7	BL6505	REV	7.5MFD-370V	5	7,22,26
1/5~1/8~1/10	1075	3	115	3.2-2.1-1.7	BL6505V1	REV	7.5MFD-370V	5	7,26
1/5~1/6~1/10	1075	3	230	1.3-.9-.7	B6507	REV	7.5MFD-370V	5	7,22,26
1/5~1/6~1/10	1075	3	230	1.3-0.9-0.7	B6507V1	REV	7.5MFD-370V	5	7,26,357

### Notes:

- 3. Special OEM Replacement Motor (see pages 94-132)
- 7. Resilient mounting rings included
- 9. Reversing plug
- 22. 3 Thru bolts, 4.42 dia. bolt circle
- 26. Extended thru bolts, shaft end
- 27. Extended thru bolts, both ends
- 150. Rated 50/60 HZ
- 357. 4 thru bolts, 4.42 dia. bolt circle

Continues on next page



### Approximate Dimensions

Ref.	BM	C	N	R
1	3.75	10.21	6.46	4.22
2	3.75	8.83	5.08	
3	3.59	7.47	3.88	4.33
4	3.50	6.46	2.96	
5	3.84	9.38	5.54	4.38
6	4.50	10.25	5.75	5.06
7	4.75	10.50	5.75	5.31
8	4.25	10.25	6.00	4.72
9	3.84	6.88	3.04	

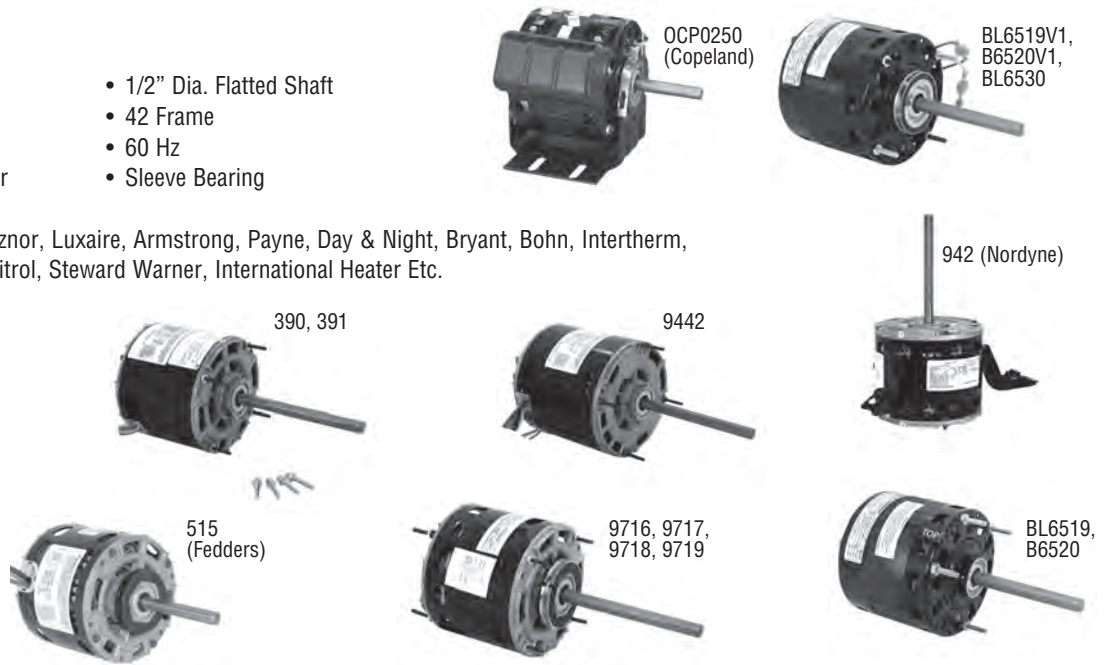
# 5" Diameter Single Shaft Open Fan/Blower Motors

## Furnaces - Air Handlers - Fan Coils - Air Conditioning

### Features:

- Auto Protector
- Continuous Air Over
- Open Construction
- Permanent Split Capacitor
- 1/2" Dia. Flatted Shaft
- 42 Frame
- 60 Hz
- Sleeve Bearing

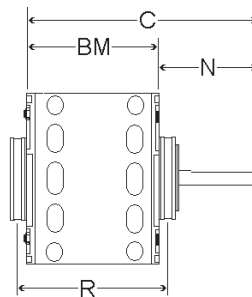
OEM Replacements for: Reznor, Luxaire, Armstrong, Payne, Day & Night, Bryant, Bohn, Intertherm, Kodair, Dole, Coleman, Janitrol, Steward Warner, International Heater Etc.



HP	RPM	Speeds	Volts	Amps	Stock Number	Rotation	Capacitor	Dim. Ref.	Notes
1/4	1050	1	115	6.2	942	CWSE	7.5MFD-370V	2	3
1/4~1/5~1/7	1050	3	115	3.7-3.1-2.4	390	REV	7.5MFD-370V	1	9,26
1/4~1/5~1/7	1075	3	115	4.8-3.1-2.2	9717	REV	7.5MFD-370V	6	7,27,358
1/4~1/5~1/6	1075	3	115	4.7-3.7-3.1	BL6519V1	REV	5MFD-370V	5	7,26,357
1/4~1/5~1/6	1075	3	115	4.7	BL6519	REV	5MFD-370V	3	22
1/4	1100	1	208-230	1.5	515	CWSE	5MFD-370V	4	3,
1/4~1/5~1/7	1050	3	208-230	1.5-1.2-1.0	391	REV	7.5MFD-370V	1	9,26
1/4~1/5~1/6	1075	3	208-230	2.0-1.4-.9	9719	REV	5MFD-370V	7	7,27
1/4~1/5~1/6	1075	3	230	2.0	B6520	REV	5MFD-370V	3	22
1/4~1/5~1/6	1075	3	230	2.0-1.2-.9	B6520V1	REV	5MFD-370V	5	7,26,358
1/4~1/5~1/6~1/8	1050	4	277	1.5-1.2-1.0-0.8	9442	REV	7.5MFD-370V	1	9,26
1/4~1/6~1/10	1625	3	115	4.0-2.3-1.5	9716	REV	7.5MFD-370V	6	7,27,358
1/4~1/6~1/10	1625	3	208-230	1.8-.98-.64	9718	REV	5MFD-370V	6	7,27,358
1/4	1625	1	230	1.5	OCP0250	CCWSE	Included	8	3,150
1/3~1/4~1/6	1075	3	115	6.3-3.6-2.5	BL6530	REV	15MFD-370V	5	7,26

### Notes:

- 3. Special OEM Replacement Motor (see pages 94-132)
- 7. Resilient Mounting rings Included
- 9. Reversing plug
- 22. 3 Thru bolts, 4.42 dia. bolt circle
- 26. Extended thru bolts, shaft end
- 27. Extended thru bolts, both ends
- 150. Rated 50/60 HZ
- 357. 4 thru bolts, 4.42 dia. bolt circle
- 358. 4 thru bolts, 4.62 dia. bolt circle



### Approximate Dimensions

Ref.	BM	C	N	R
1	4.25	10.25	6.00	
2	4.00	7.75	3.75	
3	4.09	8.75	4.66	
4	4.25	8.21	3.96	4.83
5	4.09	8.75	4.66	4.83
6	5.25	11.00	5.75	5.81
7	4.75	10.50	5.75	5.31
8	3.84	6.88	3.04	

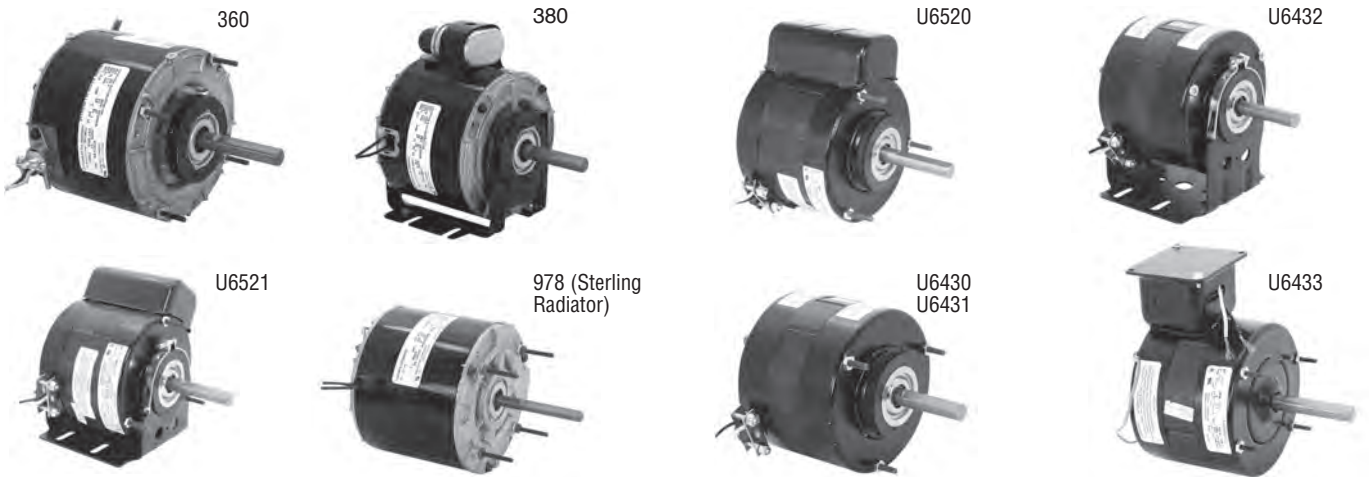


# 5" Diameter Totally Enclosed Fan/Blower Motors

## Unit Heater

### Features:

- Continuous Duty, Air Over • PSC and Shaded Pole • 60 Hz • Auto Protector • Sleeve Bearing • 40°C Ambient • 42 Frame • 1/2" Dia. Flatted Shaft



### PSC

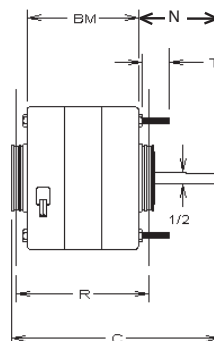
HP	RPM	Speeds	Volts	Amps	Stock Number	Rotation	Capacitor	Dim. Ref.	Notes
1/8	1075	1	115	2.6	U6520	REV	Included	1	22,89
1/8	1075	1	115	2.6	U6521	REV	Included	1	22,89,294
1/6	1075	1	115	2.6	360	CWSE	5MFD-370V	2	7,358
1/6	1075	1	115	2.8	380	CWSE	Included	3	294

### SHADED POLE

HP	RPM	Speeds	Volts	Amps	Stock Number	Rotation	Capacitor	Dim. Ref.	Notes
1/20	1050	1	115	1.7	978	CWSE	SHADED POLE	4	3,47,359
1/15	1050	1	115	3.3	U6430	CWSE	SHADED POLE	5	22,281
1/15	1050	1	115	3.3	U6432	CWSE	SHADED POLE	5	286
1/15	1050	1	115	3.3	U6433	CWSE	SHADED POLE	7	
1/8	1050	1	115	4.5	U6431	CWSE	SHADED POLE	6	22,281

### Notes:

- 3. Special OEM Replacement Motor (see pages 94-132)
- 7. Resilient mounting rings Included
- 22. 3 Thru Bolts on a 4.42 dia. bolt circle
- 47. 3/8" flatted shaft
- 89. 60" leads
- 281. 36" leads
- 286. 3.5" shaft height
- 294. 2.6" shaft height
- 358. 4 thru bolts on a 4.62 dia. bolt circle
- 359. 4 studs with spacer and nut on a 3.87 diameter bolt circle



### Approximate Dimensions

Ref.	BM	R	C	N	T
1	3.84	4.58	7.30	2.92	.79
2	4.00	4.56	7.43	2.96	.71
3	4.00		7.18	2.71	
4	4.25		7.25	3.00	1.02
5	3.59	4.33	6.79	2.67	.5
6	4.09	4.83	7.89	3.25	.5
7	3.59		6.72	2.81	.5

# 5" Diameter MultiFit® Condenser Fan Motors

## Replaces Hundreds of 1/4 - 1/12 HP Applications

### Features:

- All angle mount
- Ball bearing
- Class B insulation
- Double sealed ball bearings
- Energy efficient PSC design \$
- Reversing plug
- Single speed
- 60° C ambient
- 60 HZ
- 36" leads
- 1/2" Dia. flatted shaf
- Totally enclosed
- Multi-horsepower, one simple connection
- Multi-mounting system

One simple connection eliminates having to select various speeds or change capacitor sizes.



HP	RPM	Speeds	Volts	Amps	Stock Number	Capacitor	Dim. Ref.	Notes
1/8, 1/10, 1/12	1075	1	208-230	0.9	9722	5MFD/370V	1	\$
1/4, 1/5, 1/6	1075	1	208-230	2.0	9723	7.5MFD/370V	2	\$
1/4, 1/5, 1/6	1625	1	208-230	1.6	9724	5MFD/370V	2	\$

## 3-in-1 Design

### Approximate Speeds and Amps in Application

Stock Number 9722			Stock Number 9723			Stock Number 9724 NEW!		
HP	Approximate RPM	Approximate Amps	HP	Approximate RPM	Approximate Amps	HP	Approximate RPM	Approximate Amps
1/8	1075	0.9	1/4	1075	2.0	1/4	1625	1.6
1/10	1135	0.6	1/5	1145	1.2	1/5	1715	1.0
1/12	1155	0.5	1/6	1165	1.0	1/6	1759	0.7

## MultiFit Multi-Mounting System Replaces:

### 4.42BC

Century/Westinghouse Design  
Emerson 42-Frame (5" dia.)

### 4.62BC

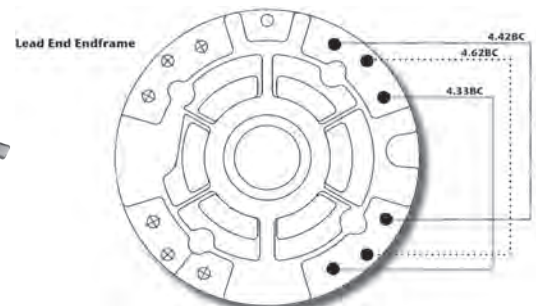
GE 42-Frame (5" dia.)  
Fasco 42-Frame (5" dia.)

### 4.33BC

Emerson Clam-Shell  
GE Cap-Can  
Century/Universal Electric Design

### Approximate Dimensions

Ref.	BM	C	N	T
1	4.0	7.5	3.0	.50
2	4.5	7.5	3.0	.50

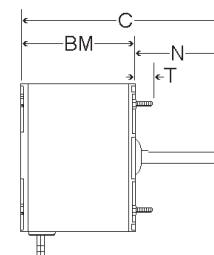


Stock No. 2118

## MultiFit® Adapter Plate

Adapts to a 48-Frame 5.15BC  
Or 42-Frame 3-Point 4.42BC

(Available Separately)



## Heating & Air Conditioning

### Features:

- Continuous Duty, Air Over
- Mechanically Reversible
- PSC
- Sleeve Bearing
- Thermally Protected
- 60 Hz

### Applications:

- Condenser Fans
- Direct Drive Blowers
- 1/2" Flatted Shaft
- Energy Efficient \$

OEM replacement for Lennox, Luxaire, Chrysler, Johnson, Armstrong, Heil Quaker, Miller, Lear Siegler, Tappan, Modernaire and other air conditioning and heating applications.



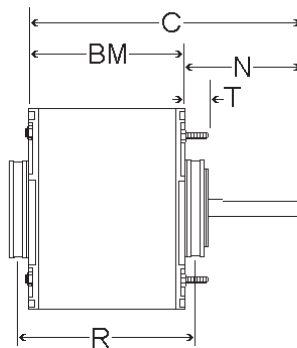
HP	RPM	Speeds	Volts	Amps	Stock Number	Rotation.	Capacitor	Dim. Ref.	Notes
1/8	1050	1	115	1.8	153A	CWSE	5MFD/370V	1	3
1/6	1050	1	115	3.3	146A	CWSE	5MFD/370V	3	7
1/6	1050	1	115/208-230	3.3/1.5-1.7	494B	CWSE	5MFD/370V	3	7 \$
1/6-1/8	1050	2	208-230	1.0-0.6	446A	CWSE	5MFD/370V	2	7
1/4~1/5~1/6~1/8	1050	4	115	3.2-2.5-2.0-1.6	144A	CWSE	5MFD/370V	5	7
1/4	1050	1	115/208-230	4.4/2.0-2.2	495B	CCWLE	5MFD/370V	4	7

### Notes:

- 3. Special OEM Replacement Motor (see pages 94-132)
- 7. Resilient Mounting Rings Included

### Approximate Dimensions

Ref.	BM	R	C	N	T
1	4.00		7.02	3.02	.61
2	3.75	4.22	7.77	4.02	
3	4.00	4.47	8.02	4.02	
4	4.25	4.72	8.27	4.02	
5	4.25	4.72	10.77	6.52	



# 5-5/8" Diameter Single Shaft Fan/Blower Motors

## Furnaces - Air Handlers - Fan Coils

### Features:

- Auto Protector
- Continuous Air Over
- Energy Efficient **\$**
- Multiple Mount
- Open Construction
- Sleeve Bearing
- 1/2" Dia. - Flatted Shaft
- 26" Leads (Minimum)
- 48 Frame (5-5/8" Dia.)
- 40° C Ambient
- 60 HZ only
- Shaded Pole Replacement



### HI EFFICIENCY - PSC - CAPACITOR INTERNALLY MOUNTED

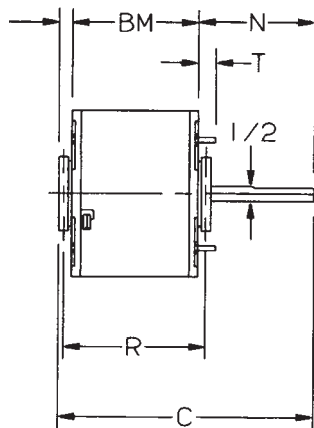
HP	RPM	Speeds	Volts	Amps		Stock Number	Rotation	Encl.	Dim. Ref.	Notes
				Rated	Max.					
1/8	1050	1	115	2.4	2.5	FSP4006S	CCWLE	Open	2	7, \$
1/8	1050	3	115	2.2	2.4	FSP4006	CCWLE	Semi-Encl	1	7, \$
1/5	1050	1	115	3.2	4.0	FSP4016S	CCWLE	Semi-Encl	1	7, \$
1/5	1050	3	115	3.2	4.0	FSP4016	CCWLE	Semi-Encl	7	7, \$
1/5	1050	3	208-230	1.5	2.0	FSP4016H	CCWLE	Semi-Encl	7	7, \$
1/4	1050	1	115	4.0	4.2	FSP4026S	CCWLE	Open	4	7, \$
1/4	1000	3	115	3.3	3.6	FSP4026	REV.	Open	3	7, \$
1/4	1050	1	230	2.4	2.5	FSP4026SH	CCWLE	Open	5	7, \$
1/4	1050	3	230	2.5	2.7	FSP4026H	CCWLE	Open	3	7, \$
1/3	1050	4	115	5.7	6.0	OCB4036SP	CCWLE	Open	6	3,162, \$

### Notes:

3. Special OEM Replacement Motor (see pages 94-132)
7. Resilient mounting rings included
162. No resilient rings. 12" leads with Molex terminal.

### Approximate Dimensions

Ref.	BM	R	C	N	T
1	4-3/8	4-15/16	9-5/8	4-3/4	-
2	4-3/8	4-15/16	10-5/16	5-7/16	5/8
3	5	5-1/2	11	5-1/2	5/8
4	4-7/8	5-3/8	10-7/8	5-1/2	1/2
5	4-3/4	5-5/16	10-3/4	5-1/2	1/2
6	5-3/8	-	10	4-5/8	-
7	4-3/8	4-15/16	9-5/8	4-3/4	5/8

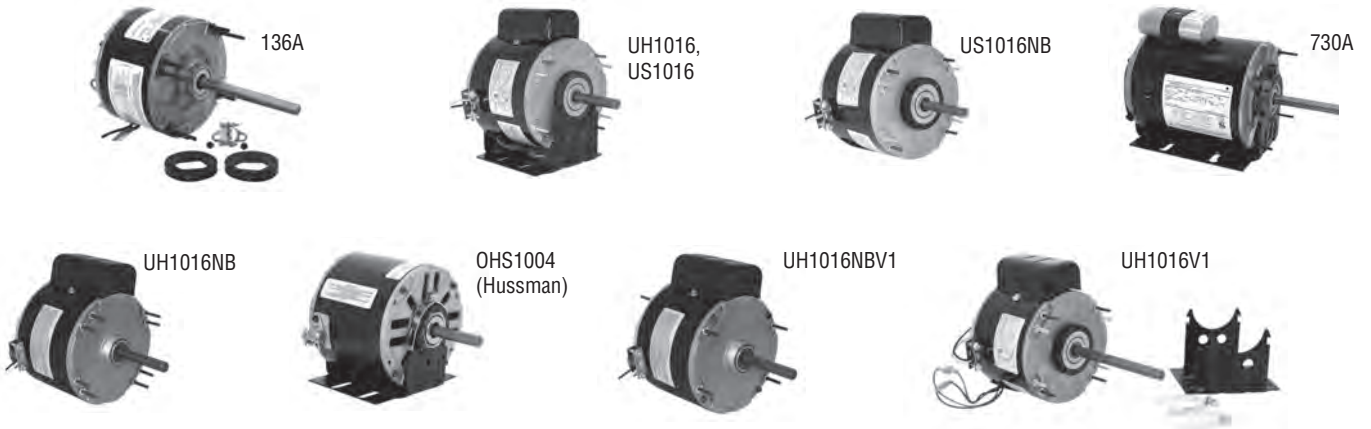


# 5-5/8" Totally Enclosed Fan/Blower Motors

## Unit Heater Fan Motors

### Features:

- Continuous Duty, Air Over
- Permanent Split Capacitor
- Sleeve & Ball Bearing Models
- Thermally Protected
- 60 Hz
- 48Y Frame



HP	RPM	Speeds	Volts	Amps	Stock		Bearings	Rotation	Capacitor	Encl.	Base	Dim.	
					Number	Ref.						Notes	
1/8	1550	1	230	1.0	OHS1004	5	Sleeve	CWLE	5MFD/370V	Semi-encl.	Resilient	5	3,31
1/6	1075	1	115	2.8	US1016	1	Sleeve	REV.	Included	TE	Resilient	1	31,89,279,286
1/6	1075	1	115	2.8	US1016NB	6	Sleeve	REV.	Included	TE	None	6	31,89,279
1/6	1075	1	115	2.2	UH1016	2	Ball	REV.	Included	TE	Resilient	2	29,89,279,286
1/6	1075	1	115	2.2	UH1016NB	7	Ball	REV.	Included	TE	None	7	29,89
1/6	1075	1	115	2.2	UH1016NBV1	7	Ball	REV.	Included	TE	None	7	29,89
1/6	1075	1	115	2.2	UH1016V1	8	Ball	REV.	Included	TE	Resilient	8	29,89,286
1/6	1075	2	115	2.4	136A	3	Ball	REV.	7.5MFD-370V	TE	None	3	7,29,279
1/6	1140	1	115/208-230	2.1/1.1	730A	4	Ball	REV.	Included	TE	Resilient	4	26,29,189

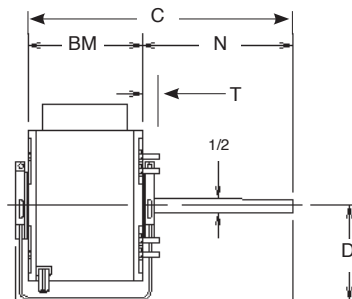
### Notes:

- 3. Special OEM Replacement Motor (see pages 94-132)
- 7. Resilient mounting rings included
- 26. Extended thru bolts, shaft end only
- 29. 60°C Ambient
- 31. 40°C Ambient
- 89. 60" leads
- 189. Includes split bushing and key for 5/8" shafts
- 279. 4 thru bolts and 4 dummy studs on a 5.15 dia. bolt circle
- 286. 3.5" Shaft Height

Continues on next page

### Approximate Dimensions

Ref.	BM	R	C	N	T	D
1	4.36	4.92	7.35	2.49	0.65	3.50
2	4.24	4.80	8.02	3.28	0.88	3.50
3	3.75		9.23	5.48	1.50	
4	6.00		11.05	5.05	0.88	3.00
5	3.74		5.74	2.00		3.50
6	4.36		7.35	2.99	0.65	
7	4.24		8.02	3.78	0.88	
8	4.24	4.80	9.74	5.50	0.88	

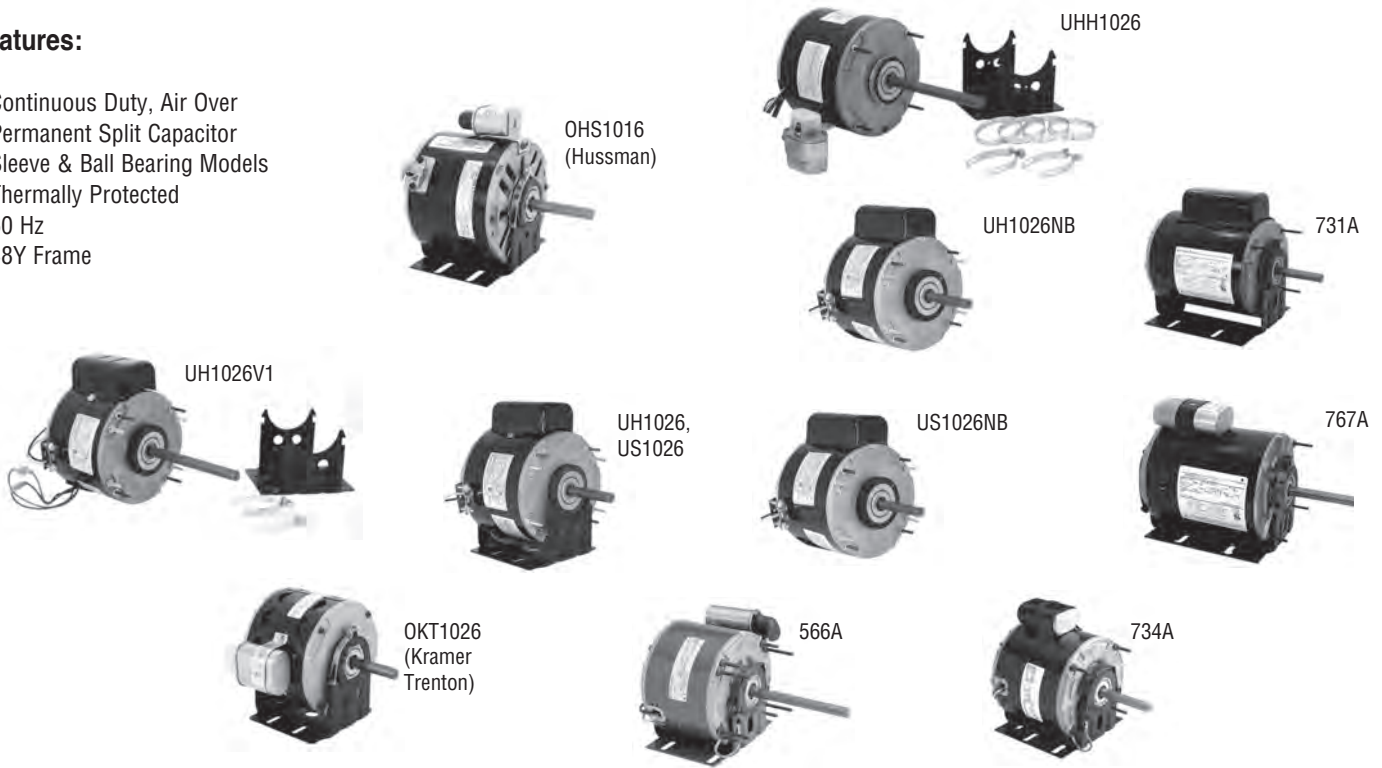


R = Ring to Ring Dim.

## Unit Heater Fan Motors

### Features:

- Continuous Duty, Air Over
- Permanent Split Capacitor
- Sleeve & Ball Bearing Models
- Thermally Protected
- 60 Hz
- 48Y Frame



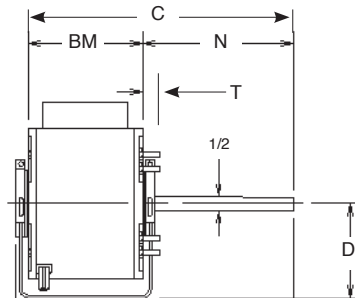
HP	RPM	Speeds	Volts	Amps	Stock						Dim.	
					Number	Bearings	Rotation	Capacitor	Encl.	Base	Ref.	Notes
1/5	1075	1	230	1.6	<b>OHS1016</b>	Sleeve	CWLE	5MFD/370V	Semi-encl.	Resilient	1	3,29
1/4	1075	1	115	3.3	<b>566A</b>	Sleeve	CCWLE	Included	TE	Resilient	3	29
1/4	1075	1	115	4.9	<b>US1026</b>	Sleeve	REV.	Included	TE	Resilient	2	31,279,286
1/4	1075	1	115	4.9	<b>US1026NB</b>	Sleeve	REV.	Included	TE	None	2	31,89,279
1/4	1075	1	115	4.9	<b>UH1026</b>	Ball	REV.	Included	TE	Resilient	2	31,89,279,286
1/4	1075	1	115	4.9	<b>UH1026NB</b>	Ball	REV.	Included	TE	None	10	31,89
1/4	1075	1	115	4.9	<b>UH1026V1</b>	Ball	REV.	Included	TE	Resilient	7	31,89
1/4	1135	1	115	4.5	<b>734A</b>	Sleeve	CCWLE	Included	TE	Resilient	4	29
1/4	1075/900	1	115/208-230	3.0/1.5	<b>OKT1026</b>	Ball	CCWLE	Included	Semi-Encl.	Resilient	9	3,31,150
1/4	1140	1	115/208-230	3.1/1.6	<b>731A</b>	Ball	REV.	Included	TE	Resilient	5	29,189
1/4	1075	1	208-230	1.8	<b>UHH1026</b>	Ball	REV.	4MFD/370V	TE	Resilient	7	6,31,286
1/4	1725	1	115/230	3.0/1.6	<b>767A</b>	Ball	REV.	Included	TE	Resilient	6	29,189

### Notes:

- 3. Special OEM Replacement Motor (see pages 94-132)
- 6. 60/50 HZ
- 29. 60°C Ambient
- 31. 40°C Ambient
- 89. 60" leads
- 150. Rated 50/60 HZ
- 189. Includes split bushing and key for 5/8" shafts
- 279. 4 thru bolts and 4 dummy studs on a 5.15 dia. bolt circle
- 286. 3.5" Shaft Height

### Approximate Dimensions

Ref.	BM	R	C	N	T	D
1	4.24		7.24	3.00		3.50
2	4.36	4.92	7.35	2.49	0.65	3.50
3	4.25		9.77	5.52	1.51	3.00
4	5.00		8.39	3.39	0.86	3.00
5	6.25		11.33	5.08	0.88	3.00
6	6.75		11.83	5.08	0.88	3.50
7	4.36	4.92	9.86	5.50	0.65	3.00
8	4.36		7.34	2.97	0.65	3.00
9	4.86		7.33	2.50		3.00
10	4.36		7.34	2.97	0.65	



R = Ring to Ring Dim.

# 5-5/8" Totally Enclosed Fan/Blower Motors

## Unit Heater Fan Motors

### Features:

- Continuous Duty, Air Over
- Permanent Split Capacitor
- Sleeve & Ball Bearing
- Thermally Protected
- 60 Hz
- 48Y Frame



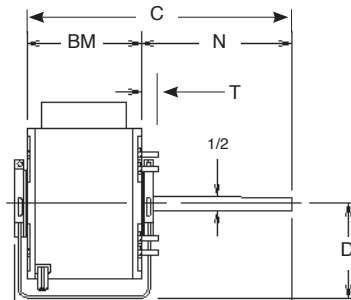
HP	RPM	Speeds	Volts	Amps	Stock			Rotation	Capacitor	Encl.	Base	Dim.	
					Number	Bearings	Bearings					Ref.	Notes
1/3	1075	1	115	5.3	<b>US1036</b>	Sleeve	REV.	Included	TE	Resilient	3	31,89,279	
1/3	1075	1	115	5.3	<b>US1036NB</b>	Sleeve	REV.	Included	TE	None	7	31,279	
1/3	1075	1	115	5.3	<b>UH1036</b>	Ball	REV.	Included	TE	Resilient	3	31,89,279	
1/3	1075	1	115	5.3	<b>UH1036V1</b>	Ball	REV.	Included	TE	Resilient	9	31,89,279	
1/3	1140	1	115/208-230	3.3/1.7	<b>732A</b>	Ball	REV.	Included	TE	Resilient	4	29,189	
1/3	1075	1	208-230	2.2	<b>UHH1036</b>	Ball	REV.	Included	TE	Resilient	9	6,31	
1/3	1100	2	230	1.7-1.1	<b>UHH1036NB</b>	Ball	REV.	Included	TE	None	8	9,31,360	
1/3	1100	2	115	4.3-1.8	<b>UH1036NB</b>	Ball	REV.	Included	TE	None	8	9,31,360	
1/3	1725	1	115/230	2.9/1.5	<b>768A</b>	Ball	REV.	Included	TE	Resilient	1	29,189	
1/2	1140	1	115/208-230	5.6/2.8	<b>733A</b>	Ball	REV.	Included	TE	Resilient	5	29	
1/2	1725	1	115/230	5.4/2.7	<b>769A</b>	Ball	REV.	Included	TE	Resilient	6	29	

### Notes:

- 6. 60/50 HZ
- 9. Reversing plug
- 29. 60°C Ambient
- 31. 40°C Ambient
- 89. 60" leads
- 189. Includes split bushing and key for 5/8" shafts
- 279. 4 thru bolts and 4 dummy studs on a 5.15 dia. bolt circle
- 360. 4 thru bolts in a 5.15 dia. bolt circle

### Approximate Dimensions

Ref.	BM	R	C	N	T	D
1	6.75		11.83	5.08	0.88	3.00
2	4.25		9.80	5.55	1.52	3.00
3	4.61		7.60	2.99	0.65	3.50
4	6.50		11.58	5.08	0.88	3.00
5	7.25		12.28	5.03	0.88	3.00
6	7.50		12.58	5.08	0.88	3.00
7	4.61		7.60	2.99	0.65	
8	5.11	5.67	10.61	5.50	2.56	
9	4.61	5.17	10.11	5.50	0.65	3.50



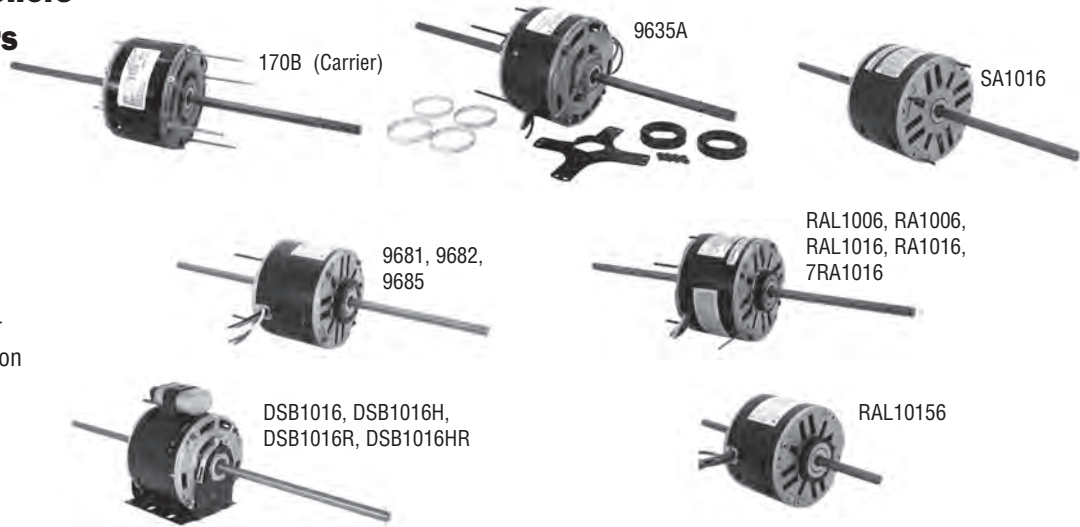
R = Ring to Ring Dim.

# 5-5/8" Diameter Double Shaft Fan/Blower Motors

## Room Air Conditioners - Fan Coils - Blowers

### Features:

- Auto Protector
- Sleeve Bearing
- CCWLE Rotation
- Continuous Air Over
- Energy Efficient \$
- Permanent Split Capacitor
- Semi-enclosed Construction
- 60 HZ
- 1/2" Dia. Flatted Shafts



### "CONSERVATIONIST™" (CAPACITOR NOT INCLUDED)

HP	RPM**	Speeds	Volts	Amps Rated	Stock Number	Capacitor	Dim. Ref.	Notes
1/15	1075	3	115	.63	<b>RAL10156</b>	3-5MFD/370V	5	\$
1/8	1075	3	115	2.0	<b>RAL1006</b>	5MFD-370V	1	6,24,29,\$
1/8	1075	3	208-230	.75	<b>RA1006</b>	5MFD-370V	1	6,24,31,\$
1/8	1550	3	115	2.3	<b>9681</b>	7.5MFD/370V	8	6,24,31,\$
1/8	1550	3	208-230	1.1	<b>9682</b>	7.5MFD/370V	8	6,24,31,\$
1/6	1075	3	115	2.2	<b>RAL1016</b>	5MFD-370V	2	6,24,31,\$
1/6	1075	3	115	3.1	<b>DSB1016</b>	Included	6	31,81,\$
1/6	1075	3	208-230	.96	<b>RA1016</b>	5MFD-370V	1	24,31,\$
1/6	1075	3	208-230	.96	<b>SA1016</b>	5MFD-370V	1	31,\$
1/6	1075	3	230	1.2	<b>DSB1016H</b>	Included	6	31,81,\$
1/6	1075	3	277	.8	<b>7RA1016</b>	5MFD-370V	3	24,31,\$
1/6	1550	3	115	2.7	<b>9685</b>	10MFD/370V	9	6,24,31,\$
1/6	1625	3	115	1.9	<b>9635A</b>	5MFD-370V	4	24,29,\$
1/6	1625	2	115	2.4	<b>DSB1016R</b>	Included	7	31,81,334,\$
1/6	1625	3	208-230	1.1	<b>170B</b>	5MFD-370V	4	3,29,\$
1/6	1625	2	230	1.3	<b>DSB1016HR</b>	Included	7	31,81,334,\$

### Notes:

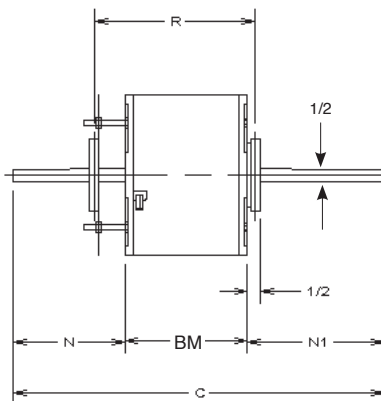
- 3. Special OEM Replacement Motor (see pages 94-132)
  - 6. 60/50 HZ
  - 24. Mounting Accessories Packaged with Motor
  - 29. 60°C Ambient
  - 31. 40°C Ambient
  - 81. Includes base
  - 334. Reversible
- \*\*Approximately 150 RPM difference between speeds

Continues on next page

### Approximate Dimensions

Ref.	BM	FC	N	N1
1	3.74	20	8.26	8
2	3.86	20	8.14	8
3	3.86	20	8.02	8.12
4	3.75	20.75	8.50	8.50
5	3.61	15.25	5.82	5.82
6	3.86	18.86	7.50	7.50
7	4.11	19.11	7.50	7.50
8	3.86	19.37	7.51	8.00
9	3.99	20	7.51	8.50

Minimum R = BM + 3/4"  
Maximum R = BM + 2"



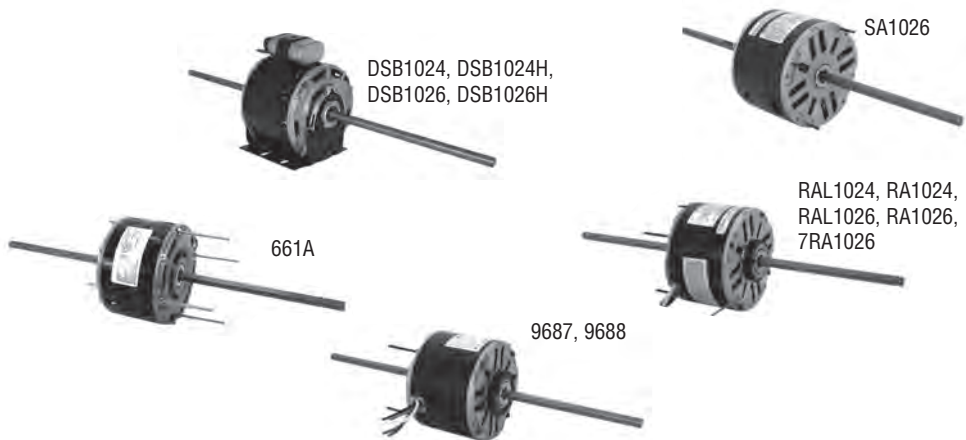


# 5-5/8" Diameter Double Shaft Fan/Blower Motors

## Room Air Conditioners - Fan Coils - Blowers

### Features:

- Auto Protector
- Sleeve Bearing
- CCWLE Rotation
- Continuous Air Over
- Energy Efficient \$
- Permanent Split Capacitor
- Semi-enclosed Construction
- 60 HZ
- 1/2" Dia. Flatted Shafts



"CONSERVATIONIST™" (CAPACITOR NOT INCLUDED)

HP	RPM**	Speeds	Volts	Amps Rated	Stock Number	Capacitor	Dim. Ref.	Notes
1/4	1075	2	115	4.4	<b>DSB1026</b>	Included	2	31,81,\$
1/4	1075	3	115	3.4	<b>RAL1026</b>	5MFD-370V	4	6,24,31,\$
1/4	1075	3	208-230	1.5	<b>RA1026</b>	5MFD-370V	5	24,29,\$
1/4	1075	3	208-230	1.5	<b>SA1026</b>	5MFD-370V	5	29,\$
1/4	1075	2	230	1.9	<b>DSB1026H</b>	Included	2	29,81,\$
1/4	1075	3	277	1.3	<b>7RA1026</b>	5MFD-370V	6	24,31,\$
1/4	1625	2	115	2.4	<b>DSB1024</b>	Included	1	31,81,\$
1/4	1550	3	115	4.9	<b>9687</b>	4MFD-370V	9	6,24,31,\$
1/4	1625	3	115	3.0	<b>661A</b>	5MFD-370V	8	29,\$
1/4	1625	3	115	3.4	<b>RAL1024</b>	5MFD-370V	3	24,31,\$
1/4	1550	3	208-230	2.2	<b>9688</b>	4MFD-370V	9	6,24,31,\$
1/4	1625	3	208-230	1.9	<b>RA1024</b>	5MFD-370V	3	6,24,31,\$
1/4	1625	2	230	1.3	<b>DSB1024H</b>	Included	1	31,81,\$

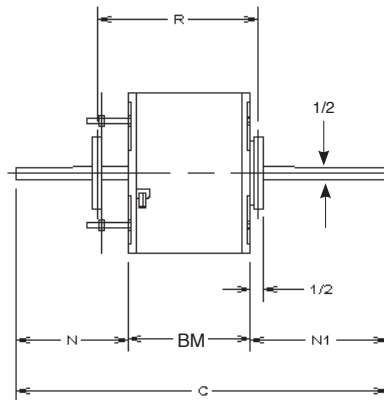
**Notes:**

- 6. 60/50 HZ
  - 24. Mounting Accessories Packaged with Motor
  - 29. 60°C Ambient
  - 31. 40°C Ambient
  - 81. Includes base
- \*\*Approximately 150 RPM difference between speeds.

Continues on next page

### Approximate Dimensions

Ref.	BM	FC	N	N1
1	4.11	19.11	7.50	7.50
2	3.99	18.99	7.50	7.50
3	4.36	20	7.64	8
4	4.24	20	7.76	8
5	4.11	20	7.89	8
6	3.99	20	7.89	8.12
7	4.00	23	9.50	9.50
8	4.00	21	8.50	8.50
9	4.49	20	7.51	8



Minimum R = BM + 3/4"  
Maximum R = BM + 2"

## Room Air Conditioners - Fan Coils - Blowers

### Features:

- Auto Protector
- Continuous Duty, Air Over
- Energy Efficient **\$**
- Permanent Split Capacitor
- 1/2" Dia. Flatted Shafts
- CCWLE Rotation
- Sleeve Bearing
- Semi-Enclosed Construction
- 60 Hz

- Lugs available separately
- Use Kit No. 1327 - 1/4" Slot  
1328 - 3/4" Slot  
1329 - Length Adapter

OEM replacement for Chrysler, Sears, Whirlpool, Gibson, Carrier, Quiet Kool, Delco, Singer, American Standard, Fedders, Tappan, York and others.



DSB1034H,  
DSB1036H



RAL1034, RA1034,  
RAL1036, RA1036,  
7RA1036



RAB1036



SA1036V1



RA1036WB

HP	RPM**	Speeds	Volts	Amps Rated	Stock Number	Capacitor	Dim. Ref.	Notes
1/3	1075	3	115	5.0	<b>RAL1036</b>	5MFD-370V	2	6,24,31,\$
1/3	1075	3	208-230	1.9	<b>RA1036</b>	5MFD-370V	3	24,29,\$
1/3	1075	3	208-230	1.9	<b>RA1036WB</b>	5MFD-370V	8	29,81,\$
1/3	1075	3	208-230	2.2	<b>SA1036V1</b>	5MFD-370V	4	31,\$
1/3	1075	3	230	1.9	<b>RAB1036</b>	5MFD-370V	6	31,118,\$
1/3	1075	3	230	3.1	<b>DSB1036H</b>	Included	7	31,81,\$
1/3	1075	3	277	1.9	<b>7RA1036</b>	7.5MFD-370V	5	24,31,\$
1/3	1625	3	115	4.0	<b>RAL1034</b>	5MFD-370V	1	6,24,31,\$
1/3	1625	3	208-230	2.0	<b>RA1034</b>	5MFD-370V	1	24,90,\$
1/3	1625	3	230	2.0	<b>DSB1034H</b>	Included	9	31,81,\$

### Notes:

- 6. 60/50 HZ
- 24. Mounting accessories packaged with motor
- 29. 60°C Ambient
- 31. 40°C Ambient
- 81. Includes base
- 90. 50°C Ambient
- 118. TEAO

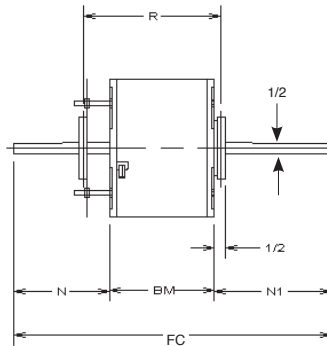
\*\*Approximately 150 RPM difference between speeds.

Continues on next page

### Approximate Dimensions

Ref.	BM	FC	N	N1
1	4.61	20.00	7.39	8.00
2	4.86	20.00	7.89	7.25
3	4.61	20.00	8.14	7.25
4	4.11	20.00	7.95	7.94
5	4.61	20.00	7.64	7.75
6	4.49	13.49	4.00	5.00
7	4.36	19.36	7.50	7.50
8	4.61	20.11	6.50	9.00
9	4.49	19.49	7.50	7.50

Minimum R = BM + 3/4"  
Maximum R = BM + 2"



# 5-5/8" Diameter Double Shaft Fan/Blower Motors

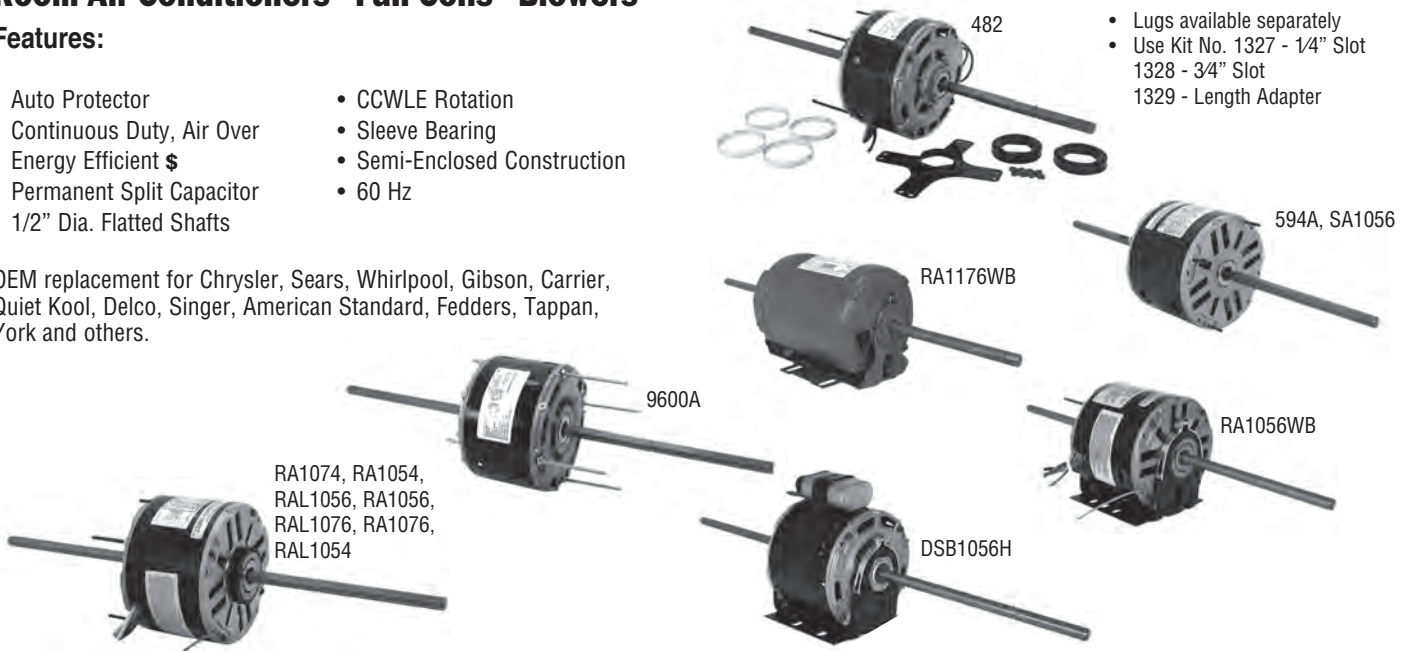
## Room Air Conditioners - Fan Coils - Blowers

### Features:

- Auto Protector
- Continuous Duty, Air Over
- Energy Efficient \$
- Permanent Split Capacitor
- 1/2" Dia. Flatted Shafts
- CCWLE Rotation
- Sleeve Bearing
- Semi-Enclosed Construction
- 60 Hz

OEM replacement for Chrysler, Sears, Whirlpool, Gibson, Carrier, Quiet Kool, Delco, Singer, American Standard, Fedders, Tappan, York and others.

- Lugs available separately
- Use Kit No. 1327 - 1/4" Slot
- 1328 - 3/4" Slot
- 1329 - Length Adapter

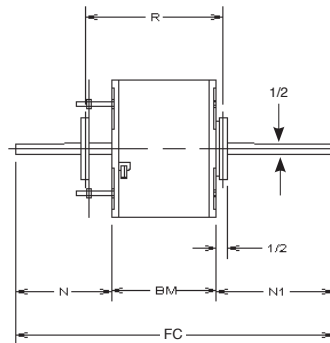


HP	RPM**	Speeds	Volts	Amps Rated	Stock Number	Capacitor	Dim. Ref.	Notes
1/2	1075	3	115	5.2	<b>RAL1056</b>	10MFD-370V	4	24,31,\$
1/2	1075	3	115	6.8	<b>594A</b>	10MFD-370V	2	29,\$
1/2	1075	3	208-230	2.7	<b>RA1056</b>	7.5MFD-370V	3	24,29,\$
1/2	1075	3	208-230	2.7	<b>SA1056</b>	7.5MFD-370V	3	29,\$
1/2	1075	3	208-230	2.7	<b>RA1056WB</b>	7.5MFD-370V	6	29,81,\$
1/2	1075	2	230	4.0	<b>DSB1056H</b>	Included	8	31,81,\$
1/2	1625	3	115	6.0	<b>RAL1054</b>	5MFD-370V	3	24,31,\$
1/2	1625	3	208-230	3.2	<b>RA1054</b>	5MFD-370V	3	6,24,31,\$
3/4	1075	3	115	12.6	<b>9600A</b>	10MFD-370V	1	31,\$
3/4	1075	3	115	8.2	<b>RAL1076</b>	15MFD-370V	4	24,31,\$
3/4	1075	1	200-230	4.4-4.2	<b>RA1176WB</b>	25MFD-370V	7	2,29,81,159,348,\$
3/4	1075	3	208-230	3.6	<b>RA1076</b>	7.5MFD-370V	4	24,31,\$
3/4	1625	3	208-230	3.8	<b>RA1074</b>	7.5MFD-370V	5	24,31,\$
3/4	1625	3	208-230	4.2	<b>482</b>	7.5MFD-370V	2	1,24,31,\$

### Notes:

1. Item to be discontinued when stock is depleted
  2. Ball bearing
  6. 60/50 HZ
  24. Mounting Accessories Packaged with Motor
  29. 60°C Ambient
  31. 40°C Ambient
  81. Includes base
  159. Open drip proof
  348. 6-1/2" diameter
- \*\*Approximately 150 RPM difference between speeds.

Minimum R = BM + 3/4"  
Maximum R = BM + 2"



### Approximate Dimensions

Ref.	BM	FC	N	N1
1	5.50	21.50	8.00	8.00
2	5.25	20.25	7.50	7.50
3	5.11	20.00	7.64	7.25
4	5.36	20.00	7.39	7.25
5	5.61	20.00	7.14	7.25
6	5.11	21.74	8.63	8.00
7	10.26	23.88	6.81	6.81
8	4.86	19.86	7.50	7.50

# 5-5/8" Diameter Fan/Blower Motors

## Room Air Conditioners - Fan Coils - Blowers

### Features:

- Auto Protector
- Continuous Air Over
- Energy Efficient \$
- Fleximount
- Open Construction
- Permanent Split Capacitor
- Reversible
- Sleeve Bearing
- 1/2" Dia. - Flatted Shaft
- 24" Leads Minimum
- 40°-50°-60° C Ambient
- 48 Frame (5-5/8" Dia.)
- 60 HZ
- 2 hole lugs replace both 9" and 10" bolt circle



9421V1, 9422V1, 754A, 9431A, 9432A, 9647



9435V1A (Titus)



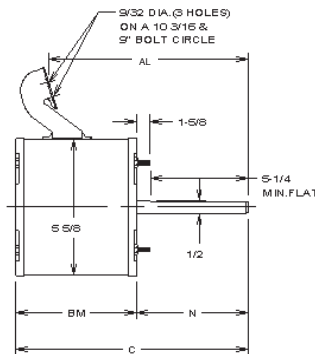
FML1026, FM1026, FML1036, FM1036, FML1056, FM1056, 753A, FM1076, FML1076V1, 9433A, 9434A, 752A

### "FLEXIMOUNT" DESIGNED FOR 9" AND 10" SHAFT MOUNTED BLOWER WHEELS (CAPACITOR NOT INCLUDED)

HP	RPM	Speeds	Volts	Amps		Stock Number	Capacitor	Dim. Ref.	Notes
				Rated	Max.				
1/6	1075	3	115	2.7		9647	5MFD-370V	13	9,31,\$
1/6	1075	3	277	.78		9431A	5MFD-370V	5	10,29,\$
1/4	1075	3	115	3.5	3.6	FML1026	7.5MFD-370V	1	9,90,\$
1/4	1075	4	115	3.9		752A	5MFD-370V	5	9,90,\$
1/4	1075	3	208-230	1.4	1.5	FM1026	5MFD-370V	1	6,9,90,\$
1/4	1075	3	277	1.2		9432A	5MFD-370V	13	10,29,\$
1/3	1075	3	115	6.0	7.6	FML1036	10MFD-370V	2	9,90,\$
1/3	1075	4	115	5.6		753A	5MFD-370V	7	9,31,\$
1/3	1075	3	208-230	2.7	3.7	FM1036	7.5MFD-370V	2	6,9,90,\$
1/3	1075	3	277	1.9		9433A	7.5MFD-370V	8	9,31,\$
1/2	1075	3	115	8.0	12.3	FML1056	10MFD-370V	3	9,90
1/2	1075	4	115	8.9		754A	7.5MFD-370V	9	9,31,\$
1/2	1075	3	208-230	3.4	4.9	FM1056	10MFD-370V	3	9,90,\$
1/2	1075	1	277	2.8		9435V1A	10MFD-370V	10	3,9,31,79,\$
1/2	1075	3	277	2.1		9434A	7.5MFD-370V	9	9,29
1/2	1075	2	460	1.51		9421V1A	7.5MFD-370V	11	9,31,302,\$
3/4	1075	4	115	10.9		FML1076V1	15MFD-370V	4	6,9,90,207,\$
3/4	1075	3	208-230	4.9	5.9	FM1076	10MFD-370V	4	9,90,207
3/4	1075	2	460	2.2		9422V1A	10MFD-440V	12	9,31,302,\$

### Notes:

- Special OEM Replacement Motor (see pages 94-132)
- 60/50 HZ
- Reversing plug
- Reversible/quick connect terminals
- 60°C Ambient
- 40°C Ambient
- Leadless Design
- 50°C Ambient
- Fleximount arms are not attached to motor – bellyband with Fleximount arms is packed with motor
- 11" Leads min.



### Approximate Dimensions

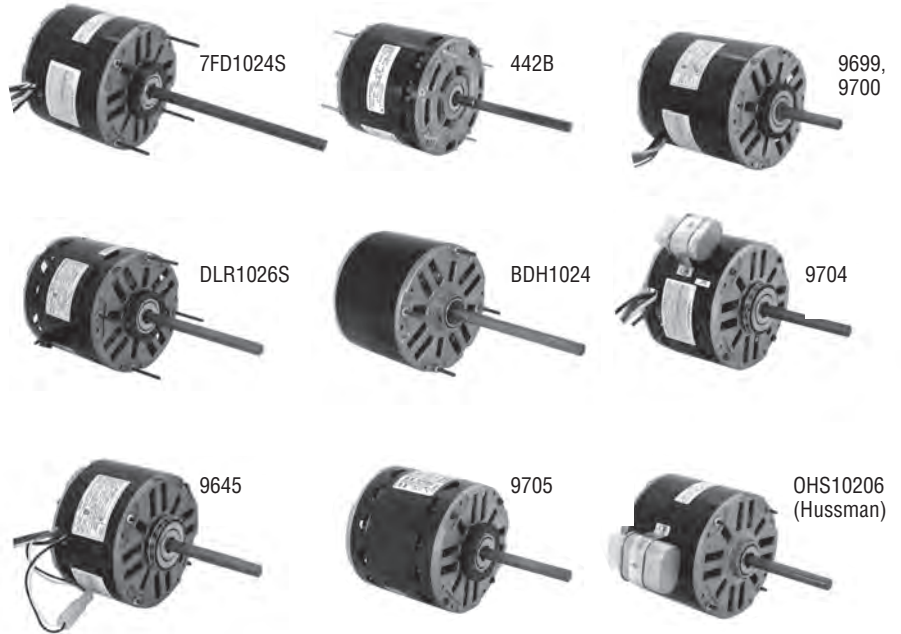
Ref.	BM	C	N	AL
1	4.11	10.11	6	9
2	4.36	10.36	6	9
3	4.86	10.86	6	9
4	5.36	11.36	6	9
5	4.25	9.77	5.52	8.03
6	4.50	9.00	4.50	9.18
7	4.75	10.27	5.52	8.33
8	4.75	10.27	5.52	8.03
9	5.50	11.02	5.52	8.45
10	5	9.50	4.50	7.70
11	5	9.50	4.50	8.48
12	5.50	10.00	4.50	8.48
13	4.24	9.74	5.50	8.50

## Direct Drive Fan & Blower Motors

### Features:

- Auto Protector
- Continuous Duty, Air Over
- Energy Efficient \$
- Electrically Reversible
- Permanent Split Capacitor
- Sleeve & Ball Bearing

OEM replacement for Bard, Chrysler, York, Armstrong, Johnson, Janitrol, Bohn, Lennox, Copeland, Fedders, Heil Quaker, American Standard, Bryant, Westinghouse, Carrier, Peerless and others.

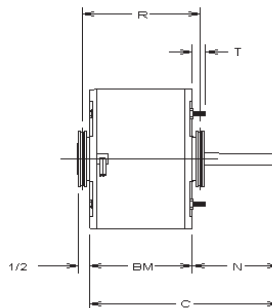


### SINGLE AND TWO SPEED – ELECTRICALLY REVERSIBLE

HP	RPM**	Speeds	Volts	Amps	Stock Number	Capacitor	Bearings	Enclosure	Dim. Ref.	Notes
1/8	1550	1	115/208-230	2.7/1.2-1.4	9704	Included	Sleeve	Open	3	6,7,31,44,239,\$
1/8	1550	1	208-230	.96	9705	7.5MFD-370V	Sleeve	Open	4	6,7,31,44,\$
1/6	1075	1	208-230	.91	442B	5MFD-370V	Sleeve	Semi-encl.	1	27,29,\$
1/6	1075	1	208-230	.95	442C	5MFD-370V	Sleeve	Open	1	7,27,29,\$
1/6	1550	1	115/208-230	2.8/1.4-1.4	9699	10MFD-370V	Sleeve	Semi-encl.	5	6,7,31,44,\$
1/6	1625	1	208-230	1.0	9645	5MFD-370V	Sleeve	Semi-encl.	10	7,9,31,\$
1/5	1075	1	208-230	1.3-1.4	OHS10206	Included	Ball	Semi-encl.	11	3,31,229,239,\$
1/4	1075	1	115	3.6	DLR1026S	Included	Sleeve	Open	9	7,31,44,\$
1/4	1075	1	208-230	1.5	443B	5MFD-370V	Sleeve	Open	8	7,9,29,\$
1/4	1550	1	115/208-230	4.9/2.5-2.5	9700	4MFD-370V	Sleeve	Semi-encl.	7	7,31,44,\$
1/4	1625	1	277	1.35	7FD1024S	3MFD-370V	Sleeve	Semi-encl.	2	90,232,\$
1/4~1/6	1625	2	460	0.9-0.7	BDH1024	Included	Ball	Semi-encl.	6	9,25,29,75,\$

#### Notes:

- Special OEM Replacement Motor (see pages 94-132)
  - 60/50 HZ
  - Resilient mounting rings Included
  - Reversing plug
  - Has hex mounting hub on both ends for cradle base mounting
  - Extended thru bolts, both ends
  - 60°C Ambient
  - 40°C Ambient
  - CCWLE rotation only
  - Mounting rings not included
  - 50°C Ambient
  229. CWLE rotation
  232. Closed main frame, 2-1/2" rings, 14" leads
  239. Capacitor attached
- \*\*Approx 150 RPM between speeds



Continues on next page

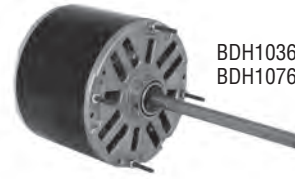
### Approximate Dimensions

Ref.	BM	R	C	N	T
1	3.50		9.03	5.53	.55
2	4.49	5.05	12.49	8.00	1.50
3	4.11	4.67	8.61	4.50	
4	3.61	4.17	8.11	4.00	
5	3.86	4.42	8.36	4.00	
6	4.86		11.30	6.44	1.63
7	4.49	5.05	8.99	4.50	
8	4.00	4.56	9.52	5.52	.58
9	4.11	4.67	7.11	3.00	.70
10	3.61	4.17	8.11	4.50	
11	4.11		7.11	3.00	.70

## Direct Drive Fan & Blower Motors

### Features:

- Auto Protector
- Continuous Duty, Air Over
- Electrically Reversible
- Permanent Split Capacitor
- Energy Efficient \$
- Sleeve & Ball Bearing
- 60°C Ambient



BDH1036, BDH1054,  
BDH1076

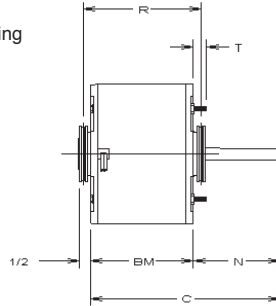
OEM replacement for Bard, Chrysler, York, Armstrong, Johnson, Janitrol, Bohn, Lennox, Copeland, Fedders, Heil Quaker, American Standard, Bryant, Westinghouse, Carrier, Peerless and others.

### SINGLE AND TWO SPEED – ELECTRICALLY REVERSIBLE

HP	RPM**	Speeds	Volts	Amps	Stock Number	Capacitor	Bearings	Enclosure	Dim. Ref.	Notes
1/3~1/4	1075	2	460	1.2-.86	<b>BDH1036</b>	Included	Ball	Semi-encl.	3	9,25,75,149,\$
1/2~1/3	1625	2	460	1.4-1.3	<b>BDH1054</b>	Included	Ball	Semi-encl.	1	6,9,25,75,\$
3/4~1/2	1075	2	460	2.2-1.1	<b>BDH1076</b>	Included	Ball	Semi-encl.	2	9,25,75,149,\$

#### Notes:

- 6. 60/50 HZ
- 9. Reversing plug
- 25. Has hex mounting hub on both ends for cradle base mounting
- 75. Mounting rings not included
- 149. Reconnect for separate speeds
- \*\*Approx 150 RPM between speeds



### Approximate Dimensions

Ref.	BM	R	C	N	T
1	5.36		11.80	6.44	1.63
2	5.74		12.18	6.44	1.63
3	5.11		11.11	6.44	1.63

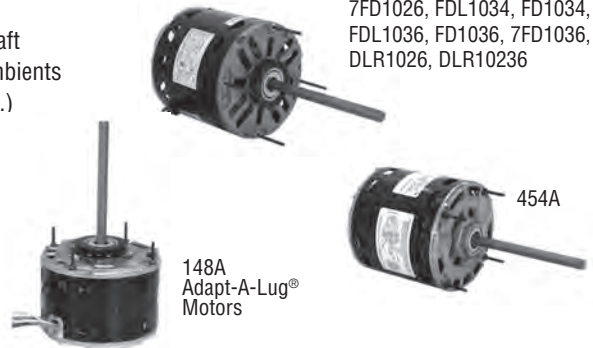
# 5-5/8" Diameter (High Efficiency) Indoor Blower Motors

## Direct Drive Fan & Blower Motors

### Features:

- Auto Protector
- Continuous Air Over
- 23" Leads (Minimum)
- 60 HZ
- Resilient Mounting Ring Included
- Open Construction
- Permanent Split Capacitor
- High Efficient \$
- Multiple Mount
- 1/2" Dia.- Flatted Shaft
- 40°, 50° and 60°C Ambients
- 48 Frame (5-5/8" Dia.)
- Reversible

FDL1016, 7FD1016, FDL1024, FD1024, FDL1026, FD1026, 7FD1026, FDL1034, FD1034, FDL1036, FD1036, 7FD1036, DLR1026, DLR10236



### THREE SPEED – ELECTRICALLY REVERSIBLE (CAPACITOR NOT INCLUDED)

HP	RPM	Speeds	Volts	Amps		Stock Number	Capacitor	Bearings	Dim. Ref.	Notes
				Rated	Max.					
1/6	1075	3	115	2.5	3.0	FDL1016	7.5MFD-370V	Sleeve	7	9,90,\$
1/6	1075	3	277	0.8	0.9	7FD1016	5MFD-370V	Sleeve	6	9,90,\$
1/4	1075	3	115	3.2	4.1	FDL1026	7.5MFD-370V	Sleeve	2	9,90,\$
1/4	1075	3	115	3.5		DLR1026	Included	Sleeve	9	31,\$
1/4	1075	3	208-230	1.5	1.9	FD1026	5MFD-370V	Sleeve	2	9,90,\$
1/4	1075	3	277	1.3	1.6	7FD1026	5MFD-370V	Sleeve	7	9,90,\$
1/4	1625	3	115	3.0	5.0	FDL1024	10MFD-370V	Sleeve	1	9,31,\$
1/4	1625	3	208-230	1.8	3.2	FD1024	5MFD-370V	Sleeve	1	9,31,\$
1/3	1075	3	115	4.2	6.0	FDL1036	7.5MFD-370V	Sleeve	3	9,90,\$
1/3	1075	3	115	4.9		DLR10236	Included	Sleeve	5	9,31,\$
1/3	1075	3	115	5.3		148A	5MFD-370V	Ball	4	9,29,\$
1/3	1075	3	208-230	2.1	3.0	FD1036	5MFD-370V	Sleeve	3	9,90,\$
1/3	1075	3	277	1.9	2.1	7FD1036	7.5MFD-370V	Sleeve	8	9,90,\$
1/3	1625	3	115	4.0	6.2	FDL1034	15MFD-370V	Sleeve	3	9,31,\$
1/3	1625	3	208-230	2.0	3.4	FD1034	5MFD-370V	Sleeve	3	9,90,\$
1/3	1625	3	208-230	2.1		454A	5MFD-370V	Ball	6	9,29,72,\$

### Notes:

- 9. Reversing plug
- 29. 60°C Ambient
- 31. 40°C Ambient
- 72. No brake kit available
- 90. 50°C Ambient

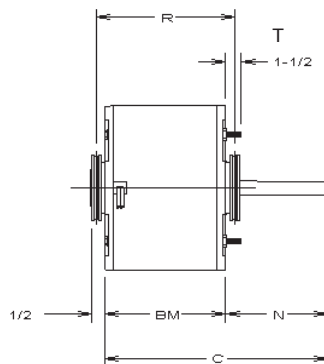
Continues on next page

### Approximate Dimensions

Ref.	BM	R	C	N	T
1	4.36	4.92	10.80	6.44	1.62
2	4.11	4.67	10.55	6.44	1.62
3	4.61	5.17	11.05	6.44	1.62
4	4.25	4.72	9.77	5.52	1.38
5	4.50	4.97	10.02	5.52	0.61
6	3.74	4.31	10.18	5.94	1.63
7	3.86	4.42	10.30	6.44	1.62
8	4.49	5.05	10.93	6.44	1.62
9	4.11	4.67	9.61	5.50	1.00



Adapter Kit  
619432-174  
for Fleximount

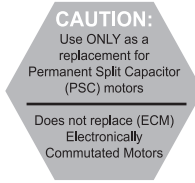


## Comfort Select™~FB

### High Efficient Furnace Blower Motors Utilizing ECM Technology

#### Features:

- Peak efficiency of 82%
- Automatic detection of correct rotation for both backward and forward curved blowers
- Learn mode that provides improved efficiency and greater flexibility for matching PSC motor performance in a furnace/air-handler unit



CSL1056,  
CSL1106,  
CS1056,  
CS1106

HP	RPM	Speeds	Volts	Amps	Stock Number	Frame Size	Insulation	Shaft Dia. & Length	Motor Length	Notes
1/2	1100-600	5	115	6.3	CSL1056	48	F	1/2 x 4"	5.72"	\$, New!
1	1100-600	5	115	11.6	CSL1106	48	F	1/2 x 4"	7.21"	\$, New!
1/2	1100-600	5	208-277	3.6-3.0	CS1056	48	F	1/2 x 4"	5.72"	\$, New!
1	1100-600	5	208-277	6.9-5.7	CS1106	48	F	1/2 x 4"	7.21"	\$, New!

## Fan Coils - Dual Wheel Blower

#### Features:

- Auto Protector
- Continuous Air Over
- High Efficient \$
- Open Construction
- Multiple Mount
- Resilient Mounting Rings Included
- Reversible
- Permanent Split Capacitor
- 1/2" Dia. - Flatted Shaft
- 23" Leads (Minimum)
- 40°, 50° and 60°C Ambient
- 48 Frame (5-5/8" Dia.)
- 60 HZ



FDL1054, FD1054,  
FDL1056, FD1056,  
7FD1056

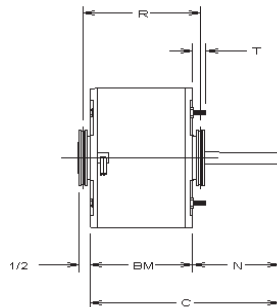
OEM replacement for Bard, Chrysler, York, Armstrong, Johnson, Janitrol, Bohn, Lennox, Copeland, Fedders, Heil Quaker, American Standard, Bryant, Westinghouse, Carrier, Peerless and others.

### THREE SPEED – ELECTRICALLY REVERSIBLE (CAPACITOR NOT INCLUDED)

HP	RPM**	Speeds	Volts	Amps	Stock Number	Capacitor	Bearings	Dim. Ref.	Notes
1/2	1075	3	115	5.6	FDL1056	10MFD-370V	Sleeve	2	9,90,\$
1/2	1075	3	208-230	2.7	FD1056	7.5MFD-370V	Sleeve	2	9,90,\$
1/2	1075	3	208-230	3.0	149A	7.5MFD-370V	Ball	1	9,29,\$
1/2	1075	3	277	2.2	7FD1056	10MFD-370V	Sleeve	3	9,90,\$
1/2	1625	3	115	7.6	FDL1054	15MFD-370V	Sleeve	2	9,31,\$
1/2	1625	3	208-230	2.8	FD1054	7.5MFD-370V	Sleeve	2	9,31,\$

#### Notes:

- 9. Reversing plug
- 29. 60° C Ambient
- 31. 40° C Ambient
- 90. 50° C Ambient
- \*\*Approx 150 rpm between speeds



Continues on next page

### Approximate Dimensions

Ref.	BM	R	C	N	T
1	5.00	5.47	9.98	4.98	0.61
2	5.11	5.67	11.55	6.44	1.62
3	5.36	5.92	11.80	6.44	1.62

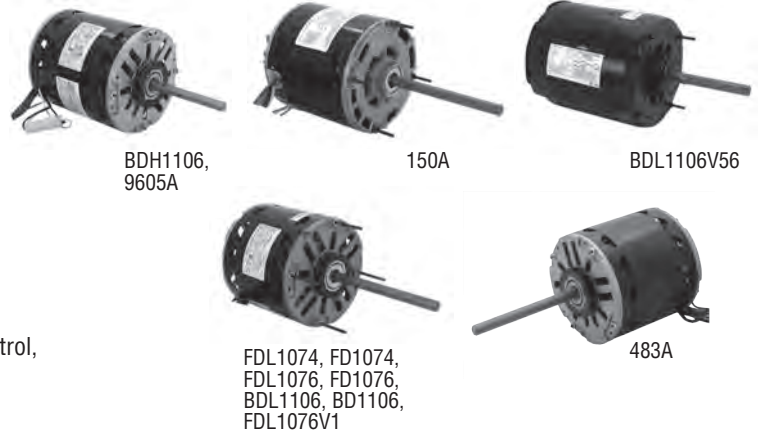


## 5-5/8" Diameter Stock Motors (High Efficiency)

### Direct Drive Fan & Blower Motors

#### Features:

- Auto Protector
- Continuous Air Over
- High Efficient \$
- Open Construction
- Multiple Mount
- Reversible
- Permanent Split Capacitor
- 1/2" Dia. - Flatted Shaft
- 22" Leads (Minimum)
- 48 Frame (5-5/8" Dia.)
- 60 HZ
- 40°, 50°, 60° C Ambients



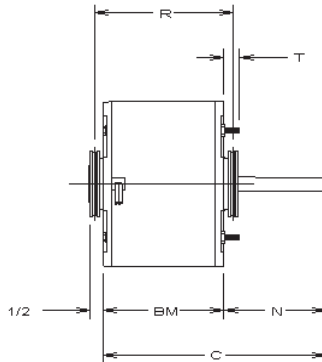
OEM replacement for Bard, Chrysler, York, Armstrong, Johnson, Janitrol, Bohn, Lennox, Copeland, Fedders, Heil Quaker, American Standard, Bryant, Westinghouse, Carrier, Peerless and others.

#### THREE SPEED – ELECTRICALLY REVERSIBLE (CAPACITOR NOT INCLUDED)

HP	RPM**	Speeds	Volts	Amps	Stock Number	Capacitor	Bearings	Dim. Ref.	Notes
3/4	1075	3	115	9.8	<b>FDL1076</b>	15MFD-370V	Sleeve	3	7,9,90,\$
3/4	1075	5	115	8.0	<b>FDL1076V1</b>	40MFD-370V	Sleeve	3	7,9,31,\$
3/4	1075	3	208-230	4.9	<b>FD1076</b>	10MFD-370V	Sleeve	4	7,9,90,\$
3/4	1075	3	208-230	4.7	<b>150A</b>	10MFD-370V	Ball	2	9,31,75,\$
3/4	1075	3	277	3.9	<b>9605A</b>	20MFD-370V	Sleeve	1	7,9,165,\$
3/4	1625	3	115	8.5	<b>FDL1074</b>	15MFD-370V	Sleeve	3	7,9,31,\$
3/4	1625	3	208-230	4.0	<b>FD1074</b>	7.5MFD-370V	Sleeve	3	7,9,31,\$
3/4	1625	3	208-230	4.9	<b>483A</b>	7.5MFD-370V	Ball	7	7,9,31,165,\$
1	1075	3	115	12.3	<b>BDL1106</b>	20MFD-370V	Ball	5	7,9,31,310,\$
1	1075	3	208-230	5.1	<b>BD1106</b>	20MFD-370V	Ball	3	7,9,31,310,\$
1	1100	3	460	3.2	<b>BDH1106</b>	15MFD-370V	Ball	6	7,9,31,149,165,\$

#### Notes:

- 7. Resilient Mounting Rings Included
- 9. Reversing plug
- 31. 40° C Ambient
- 75. Mounting rings not included
- 90. 50° C Ambient
- 149. Reconnect for separate speeds
- 165. No extended thru bolts
- 310. 1/2" Double flat shaft, 2-1/2" rings
- \*\*Approx 150 rpm between speeds



#### Approximate Dimensions

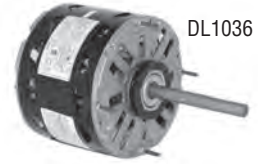
Ref.	BM	R	C	N	T
1	5.50	6.00	11.00	5.50	—
2	5.50	6.00	11.50	6.00	0.98
3	5.61	6.17	12.05	6.44	1.62
4	5.36	5.92	11.80	6.44	1.63
5	6.00	6.50	11.92	5.92	0.61
6	5.86	6.42	12.30	6.44	1.55
7	5.36	5.92	11.36	6.00	—
8	5.25	5.75	11.25	6.00	—
9	5.50	6.00	11.48	5.98	0.61
10	8.84	9.34	15.84	6.00	0.88

# 5-5/8" Diameter (Standard Efficiency) Indoor Blower Motors

## Fan Coils - Dual Wheel Blower

### Features:

- Auto Protector
- Class B Insulation
- Continuous Air Over
- Lead Reversible
- Open Construction
- Permanent Split Capacitor
- 40° C Ambient
- Sleeve Bearing
- Standard Efficiency
- 2-1/4" Rings with 2-1/2" Adapters included
- 26" Leads
- 48 Frame (5-5/8" Dia.)
- 60 HZ only



### STANDARD EFFICIENCY, REPLACES GE 3583, 84, 85, 86, 87, 88, 89, 90 (CAPACITOR NOT INCLUDED)

HP	RPM**	Speeds	Volts	Amps		Stock Number	Capacitor	Bearings	Dim. Ref.	Notes
				Rated	Max.					
1/4	1075	3	115	3.5	4.6	DL1026	5MFD/370V	Sleeve	1	
1/4	1075	3	208-230	1.8	2.2	D1026	5MFD/370V	Sleeve	1	
1/3	1075	3	115	4.9	6.4	DL1036	7.5MFD/370V	Sleeve	3	
1/3	1075	3	208-230	2.6	3.1	D1036	5MFD/370V	Sleeve	2	
1/2	1075	3	115	6.5	9.0	DL1056	10MFD/370V	Sleeve	6	
1/2	1075	3	208-230	3.2	4.3	D1056	7.5MFD/370V	Sleeve	4	
3/4	1075	3	115	8.9	10.3	DL1076	15MFD/370V	Sleeve	5	90
3/4	1075	3	208-230	4.0	5.0	D1076	10MFD/370V	Sleeve	5	

### 2 SPEED-STANDARD EFFICIENCY, REPLACES GE 3383, 84, 85, 86, 87, 88, 89, 90 (CAPACITOR NOT INCLUDED)

HP	RPM**	Speeds	Volts	Amps		Stock Number	Capacitor	Bearings	Dim. Ref.	Notes
				Rated	Max.					
1/4	1075	2	115	3.5	4.6	DL001	5MFD/370V	Sleeve	1	
1/4	1075	2	208-230	1.8	2.2	D0002	5MFD/370V	Sleeve	1	
1/3	1075	2	115	4.9	6.4	DL003	7.5MFD/370V	Sleeve	2	
1/3	1075	2	208-230	2.6	3.1	D0004	5MFD/370V	Sleeve	2	
1/2	1075	2	115	6.5	9.0	DL005	10MFD/370V	Sleeve	4	
1/2	1075	2	208-230	3.2	4.3	D0006	7.5MFD/370V	Sleeve	4	
3/4	1075	2	115	8.9	10.3	DL007	15MFD/370V	Sleeve	5	90
3/4	1075	2	208-230	4.0	5.0	D0008	10MFD/370V	Sleeve	5	

#### Notes:

90. 50°C Ambient

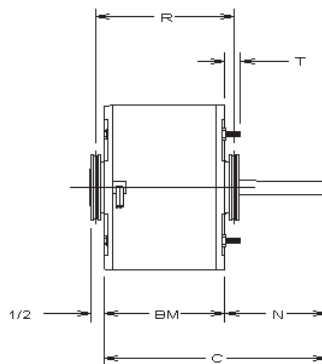
\*\*Approximately 150 RPM difference between speeds.

### Approximate Dimensions

Ref.	BM	R	C	N	T
1	4.11	4.67	8.61	4.50	0.64
2	4.36	4.92	8.86	4.50	0.64
3	4.49	5.05	8.99	4.50	0.64
4	4.86	5.42	9.36	4.50	0.64
5	5.61	6.17	10.11	4.50	1.50
6	4.99	5.55	9.49	4.50	0.64



**Adapter Kit  
619432-174  
for Fleximount**



# 5-5/8" Diameter (MasterFit® Pro) Multi-horsepower Replacement Motors

## Features:

- Energy Efficient \$
- 60 HZ
- Permanent Split Capacitor
- Reversible
- Extended Thru Bolts
- 40° C Ambient, Class B Insulation for Blower Motors
- 70° C Ambient, Class F Insulation for Condenser Fan Motors
- Rheem Mounting Holes in Shell
- All Purpose Capacitor Included



All purpose capacitor included



2116, Cap Bracket available on page 238



FD6000A



FE6001F

## Condenser Fan Motor • Totally Enclosed

Stock Number	HP	Capacitor 370 Volts		Speeds to Use	Amps	RPM	Volts	Bearings	Ambient	Lead Lengths	Shell Dimension	Shaft Length	Notes
		208V	230V										
FE6001F	1/3	10 mfd	7.5	High	1.9	825	208-230	Ball	70°C	48"	5.24"	1/2" x 6.5"	\$,NEW!
	1/4	10 mfd	7.5	High	1.5								
	1/5	10 mfd	7.5	Low	1.2								
	1/6	10 mfd	7.5	Low	1.0								
FE6003F	1/2	12.5 mfd	10	High	2.4	825	208-230	Ball	70°C	48"	5.74"	1/2" x 6.5"	\$,NEW!
	1/3	12.5 mfd	10	High	1.7								
	1/4	12.5 mfd	10	Low	1.4								
	1/5	12.5 mfd	10	Low	1.1								
FE6000F	1/3	7.5 mfd	5	High	2.6	1075	208-230	Ball	70°C	48"	4.74"	1/2" x 6.5"	\$,NEW!
	1/4	7.5 mfd	5	High	2.5								
	1/5	7.5 mfd	5	Low	2.0								
	1/6	7.5 mfd	5	Low	1.8								
FE6002F	1/2	12.5 mfd	10	High	3.9	1075	208-230	Ball	70°C	48"	5.36"	1/2" x 6.5"	\$,NEW!
	1/3	12.5 mfd	10	High	2.2								
	1/4	12.5 mfd	10	Low	1.6								
	1/5	12.5 mfd	10	Low	1.3								
FE6004F	3/4	15 mfd	12.5	High	5.8	1075	208-230	Ball	70°C	48"	5.99"	1/2" x 6.5"	\$,NEW!
	1/2	15 mfd	12.5	High	3.9								
	1/3	15 mfd	12.5	Low	2.5								
	1/4	15 mfd	12.5	Low	1.8								

## Direct Drive Fan & Blower Motors • Open Dripproof

Stock Number	HP	Capacitor 370 Volts		Speeds to Use	Amps	RPM	Volts	Bearings	Ambient	Lead Lengths	Shell Dimension	Shaft Length	Notes
		208V	230V										
FDL6001A	1/2	10 mfd		All	7.0	1075	115	Sleeve	40°C	36"	4.86"	1/2" x 5"	\$,NEW!
	1/3	5 mfd	7.5*	All	6.7								
	1/4	5 mfd	7.5*	Lo, Med-Lo, Med-Hi	4.4								
	1/5	5 mfd	7.5*	Lo, Med-Lo	3.2								
	1/6	5 mfd	7.5*	Lo	2.4								
FD6000A	1/2	10 mfd		All	3.9	1075	208-230	Sleeve	40°C	36"	4.86"	1/2" x 5"	\$,NEW!
	1/3	5 mfd	7.5*	All	3.6								
	1/4	5 mfd	7.5*	Lo, Med-Lo, Med-Hi	2.5								
	1/5	5 mfd	7.5*	Lo, Med-Lo	1.8								
	1/6	5 mfd	7.5*	Lo	1.3								
7FD6000A	1/2	10 mfd		All	3.3	1075	277	Sleeve	40°C	36"	4.86"	1/2" x 5"	\$,NEW!
	1/3	5 mfd	7.5*	All	2.3								
	1/4	5 mfd	7.5*	Med-Hi, Med-Lo, Lo	1.7								
	1/5	5 mfd	7.5*	Med-Lo, Lo	1.3								
	1/6	5 mfd	7.5*	Lo	1.0								
FDL6002A	3/4	10 mfd		All	9.1	1075	115	Ball	40°C	36"	4.86"	1/2" x 5"	\$,NEW!
	1/2	10 mfd		All	6.8								
	1/3	5 mfd	7.5*	All	5.5								
	1/4	5 mfd	7.5*	Lo, Med-Lo, Med-Hi	3.0								
	1/5	5 mfd	7.5*	Lo, Med-Lo	2.3								
FD6001A	3/4	10 mfd		All	4.0	1075	208-230	Ball	40°C	36"	4.86"	1/2" x 5"	\$,NEW!
	1/2	10 mfd		All	3.6								
	1/3	5 mfd	7.5*	All	3.0								
	1/4	5 mfd	7.5*	Lo, Med-Lo, Med-Hi	2.3								
	1/5	5 mfd	7.5*	Lo, Med-Lo	2.0								
7FD6001A	3/4	10 mfd		All	3.6	1075	277	Ball	40°C	36"	4.86"	1/2" x 5"	\$,NEW!
	1/2	10 mfd		All	2.3								
	1/3	5 mfd	7.5*	All	1.7								
	1/4	5 mfd	7.5*	Med-Hi, Med-Lo, Lo	1.3								
	1/5	5 mfd	7.5*	Med-Lo, Lo	1.0								

\* Motor is approximately 10% stronger and has higher starting torque for 1/6, 1/5, 1/4, and 1/3 HP rating with the 7.5 mfd 370 volt capacitor.

# 5-5/8" Diameter Multi-horsepower Replacement Motors

## Features:

- Energy Efficient \$
- Different Capacitor/ Speed Combinations
- Designed for 370V Capacitor (not furnished)
- Permanent Split Capacitor
- Ball and Sleeve Bearing
- Rotation Reversible
- Resilient Rings on Blower Motors
- Extended Thru Bolts
- Automatic Protector
- Class B Insulation
- 48 Frame
- Single Phase
- Continuous Duty – Air Over
- Mounts by Belly Band, Thru Bolts or Shell Holes

- Rheem Mounting Holes in Shell
- 60 Hertz

## Benefits:

- Less Inventory Required
- Versatile
- Time Saver
- Easy Installations



## Condenser Fan Motors • Totally Enclosed Air Over

Stock Number	HP	Capacitor 370 Volts		Speeds to Use	Amps	RPM	Volts	Bearings	Lead Ambient	Shell Lengths	Shaft Dimension	Shaft Length	Notes
		208V	230V										
FSE6000	1/3	7.5 mfd	5	High (black)	2.8	1075	208-230	Sleeve	60°C	36"	4.86"	1/2" x 6"	\$
	1/4	7.5 mfd	5	High (black)	2.0	1135							
	1/5	7.5 mfd	5	Low (red)	1.7	1075							
	1/6	7.5 mfd	5	Low (red)	1.5	1125							

## Direct Drive Fan & Blower Motors • Open Dripproof

Stock Number	HP	Capacitor 370 Volts		Speeds to Use	Amps	RPM	Volts	Bearings	Lead Ambient	Shell Lengths	Shell Dimension	Shaft Length	Notes
		208V	230V										
FDL6001	1/2	10 mfd		All	7.0	1075	115	Sleeve	40°C	26"	4.86"	1/2" x 5"	
	1/3	5 mfd	7.5 <sup>n</sup>	All	6.7								
	1/4	5 mfd	7.5 <sup>n</sup>	Lo,Med-Lo,Med-Hi	4.4								
	1/5	5 mfd	7.5 <sup>n</sup>	Lo,Med-Lo	3.2								
	1/6	5 mfd	7.5 <sup>n</sup>	Lo	2.4								
FD6000	1/2	10 mfd		All	3.9	1075	208-230	Sleeve	40°C	26"	4.86"	1/2" x 5"	
	1/3	5 mfd	7.5 <sup>n</sup>	All	3.6								
	1/4	5 mfd	7.5 <sup>n</sup>	Lo,Med-Lo,Med-Hi	2.5								
	1/5	5 mfd	7.5 <sup>n</sup>	Lo,Med-Lo	1.8								
	1/6	5 mfd	7.5 <sup>n</sup>	Lo	1.3								
FDL6002	3/4	10 mfd		All	9.1	1075	115	Ball	40°C	38"	4.86"	1/2" x 5"	
	1/2	10 mfd		All	6.8								
	1/3	5 mfd	7.5 <sup>n</sup>	All	5.5								
	1/4	5 mfd	7.5 <sup>n</sup>	Lo,Med-Lo,Med-Hi	3.0								
	1/5	5 mfd	7.5 <sup>n</sup>	Lo,Med-Lo	2.3								
FD6001	3/4	10 mfd		All	3.9	1075	208-230	Ball	40°C	38"	4.86"	1/2" x 5"	
	1/2	10 mfd		All	3.6								
	1/3	5 mfd	7.5 <sup>n</sup>	All	3.0								
	1/4	5 mfd	7.5 <sup>n</sup>	Lo,Med-Lo,Med-Hi	2.3								
	1/5	5 mfd	7.5 <sup>n</sup>	Lo,Med-Lo	2.0								

# 5-5/8" Diameter (4-in-1®) Multi-horsepower Replacement Motor

## 4-in-1® and HeatMaster® Condenser Fan Motor

### Features:

- All Angle Mounting
- Energy Efficient PSC Design \$
- Removable Drain Plugs Each End
- Rheem Mounting Holes (Screws Included)
- Totally Enclosed
- 48Y Frame
- Class B or F Insulation
- Multi-application, Condenser Fans
- Reversible
- 60° or 70° C Ambient
- Sleeve or Ball Bearing
- UL and CSA Approved
- 36" Leads or 48" Leads



Easy installation, one simple connection and a 5, 7.5, or 10 mfd 370 Volt capacitor is all that is needed. Replaces hundreds of 1/8 - 1/2 HP applications.

### 60 Degree C Ambient, 4-in-1® Fan Motor (Economy Models)

HP	RPM	Speeds	Volts	Amps	Insulation Class	Ambient	Stock Number	Bearings	Capacitor	Dim. Ref.	Notes
1/3-1/8	825	1	208-230	2.1	B	60° C	ORM5488	Sleeve	7.5MFD/370V	2	\$
1/3-1/8	825	1	208-230	2.1	B	60° C	ORM5488B	Ball	7.5MFD/370V	2	\$
1/3-1/6	1075	1	208-230	2.0	B	60° C	ORM5458	Sleeve	7.5MFD/370V	1	\$
1/3-1/6	1075	1	208-230	2.0	B	60° C	ORM5458B	Ball	7.5MFD/370V	1	\$

### 70 Degree C Ambient, 4-in-1® HeatMaster® Fan Motor (Deluxe Models)

HP	RPM	Speeds	Volts	Amps	Insulation Class	Ambient	Stock Number	Bearings	Capacitor	Dim. Ref.	Notes
1/8-1/15	825	1	208-230	0.8	F	70° C	ORM5484F	Sleeve	5MFD/370V	3	\$
1/8-1/15	825	1	208-230	0.8	F	70° C	ORM5484BF	Ball	5MFD/370V	3	\$
1/8-1/15	1075	1	208-230	0.8	F	70° C	ORM5454F	Sleeve	5MFD/370V	5	\$
1/8-1/15	1075	1	208-230	0.8	F	70° C	ORM5454BF	Ball	5MFD/370V	5	\$
1/3-1/8	825	1	208-230	2.1	F	70° C	ORM5488F	Sleeve	7.5MFD/370V	2	\$
1/3-1/8	825	1	208-230	2.1	F	70° C	ORM5488BF	Ball	7.5MFD/370V	2	\$
1/3-1/8	825	1	460	1.0	F	70° C	ORM4688BF	Ball	7.5MFD/370V	4	\$
1/3-1/6	1075	1	208-230	2.0	F	70° C	ORM5458F	Sleeve	7.5MFD/370V	1	\$
1/3-1/6	1075	1	208-230	2.0	F	70° C	ORM5458BF	Ball	7.5MFD/370V	1	\$
1/3-1/6	1075	1	460	1.2	F	70° C	ORM4658BF	Ball	7.5MFD/370V	2	\$
1/2-1/5	825	1	208-230	2.5	F	70° C	ORM5489BF	Ball	10MFD/370V		\$ NEW!
1/2-1/5	1075	1	208-230	3.6	F	70° C	ORM5459BF	Ball	10MFD/370V		\$ NEW!
1/2-1/5	1075	1	460	1.5	F	70° C	ORM4659BF	Ball	10MFD/370V		\$ NEW!



### 4-in-1® 3.3" Motor

HP	RPM	Speeds	Volts	Amps	Insulation Class	Ambient	Stock Number	Bearings	Shaft Dia. & Length	Dim. Ref.	Notes
1/25-1/50	1550	1	115	1.6-1.4	B	40° C	3325CW	Ball	5/16" x 2 1/2"		New!
1/25-1/50	1550	1	115	1.6-1.4	B	40° C	3325CCW	Ball	5/16" x 2 1/2"		New!

### Approximate Dimensions

Ref.	BM	C	N	T	T1
1	4-1/8	10-5/8	6-1/2	7/8	1
2	4-7/8	11-3/8	6-1/2	7/8	1
3	4-1/4	10-3/4	6-1/2	7/8	1
4	5-1/8	11-5/8	6-1/2	7/8	1
5	4	10-1/2	6-1/2	7/8	1

# 5-5/8" Diameter (Open Lead End) - Outdoor Ball and Sleeve Bearing

## Condensers - Heat Pump - Refrigeration

### Features:

- Energy Efficient \$
- Permanent Split Capacitor
- Class B Insulation
- Ball or Sleeve Bearing
- 1/2" Dia. Flatted Shaft
- 26" (Minimum) to 48" Leads
- 60 HZ
- All Angle Mount
- 60°C Ambient
- Auto Protector
- Reversible
- 4, 6, and 8 Pole
- Extended Thru Bolts



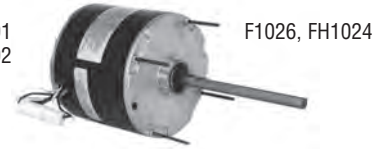
735



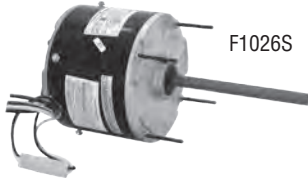
FS1024S



FS1018, FS101  
FS1028, FS102  
FS1026



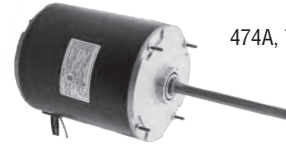
F1026, FH1024



F1026S



F1018S, F1028S



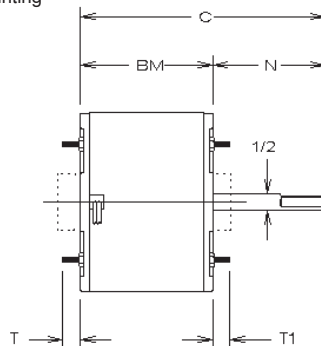
474A, 782A

### DRIPPROOF - VERTICAL SHAFT UP/HORIZONTAL

HP	RPM	Volts	Speeds	Amps		Insulation	Ambient	Stock	Bearings	Capacitor	Dim.	Notes
				Rated	Max.	Class		Number			Ref.	
1/6	825	208-230	1	1.1	1.6	B	60°C	<b>F1018S</b>	Ball	5MFD-370V	11	9,27,98,\$
1/6	825	208-230	2	.9	1.3	B	60°C	<b>FS1018</b>	Sleeve	5MFD-370V	4	9,25,317,\$
1/6	1075	208-230	2	.9	1.1	B	60°C	<b>FS1016</b>	Sleeve	5MFD-370V	1	6,9,25,317,\$
1/4	825	208-230	1	1.5	1.9	B	60°C	<b>F1028S</b>	Ball	5MFD-370V	12	9,27,98,\$
1/4	825	208-230	1	1.5	1.9	B	60°C	<b>474A</b>	Sleeve	7.5MFD-370V	6	9,164,315,\$
1/4	825	208-230	2	1.5	1.9	B	60°C	<b>FS1028</b>	Sleeve	7.5MFD/370V	13	9,25,317,\$
1/4	1075	208-230	1	1.4	2.0	B	60°C	<b>F1026S</b>	Ball	5MFD-370V	7	9,25,317,\$
1/4	1075	208-230	1	1.5	1.9	B	60°C	<b>FS1026S</b>	Sleeve	5MFD-370V	3	9,147,317,\$
1/4	1075	208-230	1	2.1		B	60°C	<b>735</b>	Sleeve	5MFD-370V	14	1,10,25,317,\$
1/4	1075	208-230	2	1.4	2.0	B	60°C	<b>F1026</b>	Ball	5MFD-370V	7	25,37,311,\$
1/4	1075	208-230	2	1.4	2.0	B	60°C	<b>FS1026</b>	Sleeve	5MFD-370V	2	6,9,25,317,\$
1/4	1625	208-230	1	1.4	1.8	B	60°C	<b>FS1024S</b>	Sleeve	5MFD-370V	5	6,9,31,147,313,\$
1/4	1625	460	2	.74		B	60°C	<b>782A</b>	Ball	5MFD-370V	8	9,25,38,67,\$
1/4	1625	460	2	.9	1.2	B	60°C	<b>FH1024</b>	Ball	5MFD-370V	9	9,25,54,311,\$

### Notes:

- Item to be discontinued when stock is depleted.
- 60/50 HZ
- Reversing Plug
- Reversible. Quick connect terminals
- Has hex mounting hub on both ends for cradle base mounting
- Extended thru bolts, both ends
- 40 degree C Ambient
- Lead reversible, no plug
- Includes conduit box, mounting screws, gasket, shipped detached
- Rewire for second speed
- 1/2" hub on shaft end and slinger
- Resilient rings included for refrigeration applications
- No hub on lead end end frame
- 1/2" Dia. Shaft - Single Flat
- 1" extended thru bolts each end
- 1-7/8" shaft end, 1/2" lead end extended thru bolts
- 1-5/8" extended thru bolts



### Approximate Dimensions

Ref.	BM	C	N	T	T1
1	3.86	10.30	6.44		1.63
2	4.24	10.68	6.44		1.63
3	3.99	10.43	6.44		1.63
4	4.18	10.18	6.00		1.63
5	3.99	8.92	4.93	1.00	1.00
6	5.00	11.02	6.02	.55	1.86
7	4.36	10.80	6.44		1.63
8	4.86	10.55	6.06		.49
9	4.86	11.30	6.44		1.63
10	3.75	10.23	6.48		1.61
11	4.11	10.11	6.00	.94	.88
12	4.61	10.62	6.01	.88	.88
13	4.93	10.93	6.00		1.63

# 5-5/8" Diameter (Open Lead End) - Outdoor Ball and Sleeve Bearing

## Condensers - Heat Pump - Refrigeration

### Features:

- Energy Efficient \$
- Permanent Split Capacitor
- Class B Insulation
- Ball or Sleeve Bearing
- 1/2" Dia. Flatted Shaft
- 26" (Minimum) to 48" Leads
- 60 HZ
- All Angle Mount
- 60°C Ambient
- Auto Protector
- Reversible
- 4, 6, and 8 Pole
- Extended Thru Bolts

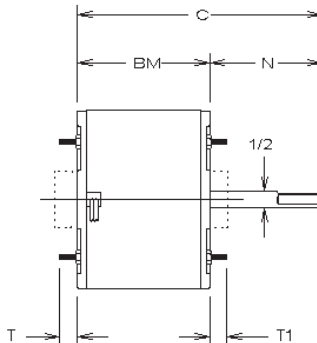


### DRIPPROOF – VERTICAL SHAFT UP/HORIZONTAL

HP	RPM	Volts	Speeds	Amps		Insulation Class	Ambient	Stock Number	Bearings	Capacitor	Dim. Ref.	Notes
				Rated	Max.							
1/3	825	115	1	4.8		B	60°C	FL1038	Ball	7.5MFD-370V	7	25,37,\$
1/3	825	208-230	1	1.9	2.6	B	60°C	F1038	Ball	7.5MFD-370V	7	25,37,\$
1/3	825	208-230	2	1.8	2.5	B	60°C	FS1038	Sleeve	12.5MFD-370V	5	9,25,317,\$
1/3	825	460	1	0.9	1.0	B	60°C	FH1038	Ball	10MFD-370V	9	25,37,54,\$
1/3	825	460	1	1.1		B	60°C	786A	Ball	10MFD-370V	10	9,25,38,\$
1/3	1075	208-230	1	1.7	2.6	B	60°C	F1036S	Ball	7.5MFD-370V	8	9,25,\$
1/3	1075	208-230	1	2.5	3.3	B	60°C	FS1036S	Sleeve	5MFD-370V	6	9,147,317,\$
1/3	1075	208-230	1	1.9	2.6	B	60°C	FS1037S	Sleeve	5MFD-370V	3	9,147,318,\$
1/3	1075	208-230	2	1.7	2.6	B	60°C	F1036	Ball	7.5MFD-370V	7	9,25,\$
1/3	1075	208-230	2	1.7	2.6	B	60°C	FS1036	Sleeve	7.5MFD-370V	4	9,25,317,\$
1/3	1075	460	1	1.0		B	60°C	436A	Ball	5MFD-370V	1	147,\$
1/3	1075	460	2	1.2		B	60°C	FH1036	Ball	7.5MFD-370V	4	9,54,67,\$
1/3	1625	208-230	1	1.9		B	60°C	665A	Sleeve	5MFD-370V	2	147,\$
1/2	825	208-230	1	2.9	3.4	B	60°C	F1058	Ball	10MFD-370V	11	25,37,\$
1/2	825	460	1	1.8		B	60°C	787A	Ball	10MFD-370V	12	9,25,38,\$
1/2	1075	208-230	1	2.5	3.6	B	60°C	F1056S	Ball	10MFD-370V	13	9,25,\$
1/2	1075	208-230	1	3.6	4.4	B	60°C	FS1056S	Sleeve	5MFD-370V	4	9,147,317,\$
1/2	1075	208-230	2	2.5	3.6	B	60°C	F1056	Ball	10MFD-370V	13	9,25,\$
1/2	1075	208-230	2	2.5	3.6	B	60°C	FS1056	Sleeve	10MFD-370V	13	9,25,317,\$

### Notes:

- 9. Reversing Plug
- 25. Has hex mounting hub on both ends for cradle base mounting
- 37. Lead reversible, no plug
- 38. Includes conduit box, mounting screws, gasket, shipped detached
- 54. Triple build wire for greater high voltage insulation
- 67. Rewire for second speed
- 147. Resilient rings included for refrigeration applications
- 317. 1-5/8" extended thru bolts
- 318. 1-1/2" extended thru bolts



### Approximate Dimensions

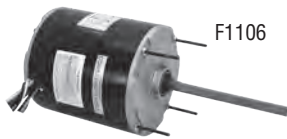
Ref.	BM	C	N	T	T1
1	4.74	10.79	6.05		1.03
2	4.36	10.38	6.02		1.14
3	4.24	10.68	6.44		1.53
4	4.86	11.30	6.44		1.63
5	5.43	11.43	6.00		1.63
6	4.61	11.05	6.44		1.63
7	4.86	11.30	6.44		1.63
8	5.11	11.55	6.44		1.63
9	5.61	12.05	6.44		1.63
10	5.87	11.93	6.06		0.49
11	5.36	11.80	6.44		1.63
12	6.74	12.80	6.06		0.49
13	5.11	11.55	6.44		1.63

# 5-5/8" Diameter (Open Lead End) - Outdoor Ball and Sleeve Bearing

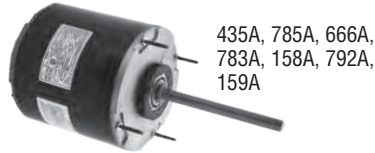
## Condensers - Heat Pump - Refrigeration

### Features:

- Energy Efficient \$
- Permanent Split Capacitor
- Class B Insulation
- Ball or Sleeve Bearing
- 1/2" Dia. Flatted Shaft
- 26" (Minimum) to 48" Leads
- 60 HZ
- All Angle Mount
- 60°C Ambient
- Auto Protector
- Reversible
- 4 and 6 Pole
- Extended Thru Bolts



F1106



435A, 785A, 666A,  
783A, 158A, 792A,  
159A



F1076SV1



FH1056S



FH1056S



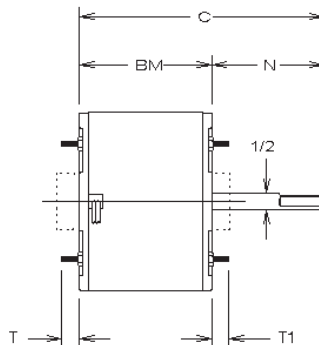
FH1056, FH1054,  
F1076S, FS1076S,  
F1076A, FH1076

### DRIPPROOF – VERTICAL SHAFT UP/HORIZONTAL

HP	RPM	Volts	Speeds	Amps		Insulation Class	Ambient	Stock Number	Bearings	Capacitor	Dim. Ref.	Notes
				Rated	Max.							
1/2	1075	460	1	1.2	1.3	B	60°C	<b>FH1056S</b>	Ball	10MFD-370V	9	9,54,98,\$
1/2	1075	460	1	1.7		B	60°C	<b>435A</b>	Ball	7.5MFD-370V	10	147,\$
1/2	1075	460	1	1.6		B	60°C	<b>785A</b>	Sleeve	7.5MFD-370V	11	9,25,309,\$
1/2	1075	460	2	1.9		B	60°C	<b>FH1056</b>	Ball	10MFD-370V	12	9,25,54,67,\$
1/2	1625	208-230	1	3.9		B	60°C	<b>666A</b>	Sleeve	5MFD-370V	14	147,\$
1/2	1625	460	2	1.4	1.8	B	60°C	<b>FH1054</b>	Ball	7.5MFD-370V	13	6,9,25,54,311,\$
1/2	1625	460	2	1.6		B	60°C	<b>783A</b>	Ball	7.5MFD-370V	15	9,25,38,\$
3/4	1075	208-230	1	3.5	4.2	B	60°C	<b>F1076S</b>	Ball	15MFD-370V	13	9,25,\$
3/4	1075	208-230	1	4.0	5.0	B	60°C	<b>FS1076S</b>	Sleeve	10MFD-370V	1	9,25,318,\$
3/4	1075	208-230	1	5.3		B	60°C	<b>F1076SV1</b>	Ball	12.5MFD-370V	2	9,71,121,311,\$
3/4	1075	208-230	2	3.5	4.2	B	60°C	<b>F1076</b>	Ball	15MFD-370V	14	9,25,\$
3/4	1075	208-230	2	3.5	4.2	B	60°C	<b>F1076A</b>	Ball	15MFD-370V	3	9,25,270,\$
3/4	1075	460	1	2.1		B	60°C	<b>158A</b>	Ball	10MFD-370V	4	147,\$
3/4	1075	460	1	2.2		B	60°C	<b>792A</b>	Sleeve	10MFD-370V	5	9,25,309,\$
3/4	1075	460	2	2.2		B	60°C	<b>FH1076</b>	Ball	15MFD-370V	6	9,25,54,67,\$
1	1075	208-230	1	4.8	6.0	B	60°C	<b>F1106</b>	Ball	15MFD-370V	7	9,25,\$
1	1075	230/460	1	4.7/2.4		B	60°C	<b>159A</b>	Ball	15MFD-370V	8	147,\$

### Notes:

- 6. 60/50 HZ
- 9. Reversing Plug
- 25. Has hex mounting hub on both ends for cradle base mounting
- 54. Triple build wire for greater high voltage insulation
- 67. Rewire for second speed
- 71. No hubs on either end
- 98. 1/2" hub on shaft end and slinger
- 121. Stronger 3/4 HP required for some applications
- 147. Resilient mounting rings included for refrigeration applications
- 270. 5/8" keyed shaft with flat
- 309. 1/2" extended thru bolts
- 311. 1/2" dia. shaft, single flat



### Approximate Dimensions

Ref.	BM	C	N	T	T1
1	5.61	12.03	6.42		1.50
2	5.99	9.99	4.00		
3	5.36	9.75	4.39		1.55
4	5.61	11.66	6.05		.98
5	5.74	11.74	6.00		.49
6	5.74	12.18	6.44		1.63
7	6.11	12.55	6.44		1.63
8	5.74	11.79	6.05		1.12
9	5.61	9.61	4.00	.88	.95
10	5.11	11.16	6.05		1.00
11	5.25	11.25	6.00		.49
12	5.86	12.30	6.44		1.63
13	5.36	11.80	6.44		1.63
14	4.86	10.88	6.02		1.11
15	5.24	11.03	6.06		.49

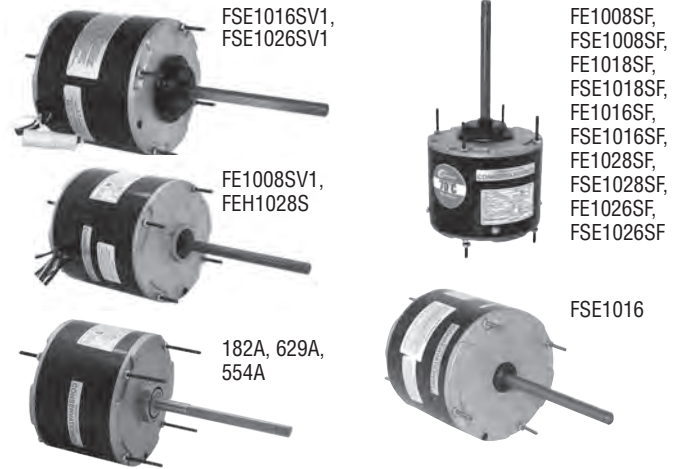


# 5-5/8" Diameter (Totally Enclosed) - Outdoor Ball and Sleeve Bearing

## Condensers - Heat Pump - Refrigeration

### Features:

- Energy Efficient \$
- Permanent Split Capacitor
- Class B or Class F Insulation
- Ball or Sleeve Bearing
- 1/2" Dia. Flatted Shaft
- 26" (Minimum) to 48" Leads
- 60 HZ
- All Angle Mount
- 60° or 70° C Ambient
- Auto Protector
- Reversible
- 6 and 8 Pole
- Extended Thru Bolts

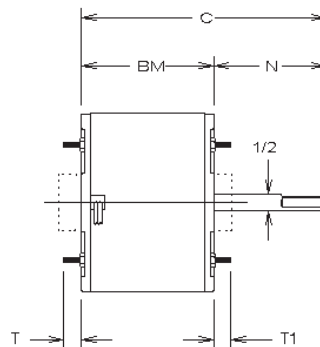


### "TURN-A-BOUT" 1 AND 2-SPEED (CAPACITOR NOT INCLUDED)

HP	RPM	Volts	Speeds	Amps		Insulation Class	Ambient	Stock Number	Bearings	Capacitor	Dim. Ref.	Notes
				Rated	Max.							
1/10	825	208-230	1	0.6	0.63	B	60°C	FE1008SV1	Ball	5MFD/370V	11	6,998,288,\$
1/10	1075	208-230	1	0.7		B	60°C	182A	Sleeve	5MFD/370V	1	9,308,311,288,\$
1/8	825	208-230	1	1.0		F	70°C	FE1008SF	Ball	5MFD/370V	8	311,370,\$ HeatMaster
1/8	825	208-230	1	1.0		F	70°C	FSE1008SF	Sleeve	5MFD/370V	8	40,370,\$ HeatMaster
1/6	825	208-230	1	1.1		F	70°C	FE1018SF	Ball	5MFD/370V	9	311,370,\$ HeatMaster
1/6	825	208-230	1	1.0		B	60°C	629A	Sleeve	5MFD-370V	5	3,940,308,278,\$
1/6	825	208-230	1	1.1		F	70°C	FSE1018SF	Sleeve	5MFD/370V	9	40,370,\$ HeatMaster
1/6	1075	208-230	1	1.4		F	70°C	FE1016SF	Ball	5MFD/370V	6	311,370,\$ HeatMaster
1/6	1075	208-230	1	1.0		B	60°C	FSE1016SV1	Sleeve	5MFD/370V	4	9,308,281,\$
1/6	1075	208-230	1	1.4		F	70°C	FSE1016SF	Sleeve	5MFD/370V	6	40,281,\$ HeatMaster
1/6	1075	208-230	2	0.92		B	60°C	554A	Ball	5MFD-370V	13	9,24,\$
1/6	1075	208-230	2	.9	1.3	B	60°C	FSE1016	Sleeve	5MFD/370V	2	9,71,288,\$
1/4	825	208-230	1	1.5		F	70°C	FE1028SF	Ball	5MFD/370V	10	311,370,\$ HeatMaster
1/4	825	208-230	1	1.5		F	70°C	FSE1028SF	Sleeve	5MFD/370V	10	40,370,\$ HeatMaster
1/4	850	460	1	0.75		B	60°C	FEH1028S	Ball	5MFD-370V	14	9,98,281,\$
1/4	1075	208-230	1	2.0		F	70°C	FE1026SF	Ball	5MFD/370V	15	311,370,\$ HeatMaster
1/4	1075	208-230	1	2.0		B	60°C	FSE1026SV1	Sleeve	5MFD/370V	3	9,308,281,\$
1/4	1075	208-230	1	2.0		F	70°C	FSE1026SF	Sleeve	5MFD/370V	7	40,281,\$ HeatMaster

### Notes:

- 3. Special OEM Replacement Motor (see pages 94-132)
- 6. 60/50 HZ
- 9. Reversing Plug
- 40. Four mounting holes in shell
- 71. No hubs on either end
- 98. 1/2" hub on shaft end and slinger
- 278. 40" leads
- 281. 36" leads
- 288. 26" leads (minimum)
- 308. 1/2" hub on shaft end frame with slinger. Grommet on lead exits.
- 311. 1/2" dia. shaft, single flat
- 370. 48" leads



### Approximate Dimensions

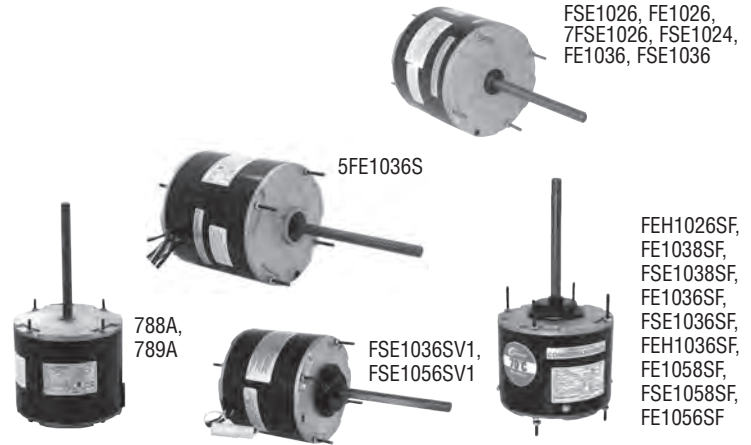
Ref.	BM	C	N	T	T1
1	3.74	9.74	6.00	.55	.88
2	3.99	9.99	6.00	.67	.88
3	4.36	10.80	6.44	.56	.88
4	3.99	10.43	6.44	.67	.88
5	4.24	10.26	6.02	.88	1.49
6	3.99	10.49	6.50	.88	1.06
7	4.36	10.86	6.50	.88	1.12
8	4.24	10.74	6.50	.88	1.12
9	4.11	10.61	6.50	.88	1.12
10	4.61	11.11	6.50	.88	1.12
11	4.11	10.11	6.00	.88	.88
12	4.61	10.61	6.00	.56	.88
13	3.99	10.04	6.05	.88	1.51
14	4.86	10.86	6.00	.94	088
15	4.36	10.86	6.50	.88	1.12

# 5-5/8" Diameter (Totally Enclosed) - Outdoor Ball and Sleeve Bearing

## Condensers - Heat Pump - Refrigeration

### Features:

- Energy Efficient \$
- Permanent Split Capacitor
- Class B or Class F Insulation
- Ball or Sleeve Bearing
- 1/2" Dia. Flatted Shaft
- 26" (Minimum) to 48" Leads
- 60 HZ
- All Angle Mount
- 60° or 70° C Ambient
- Auto Protector
- Reversible
- 4, 6, and 8 Pol
- Extended Thru Bolts

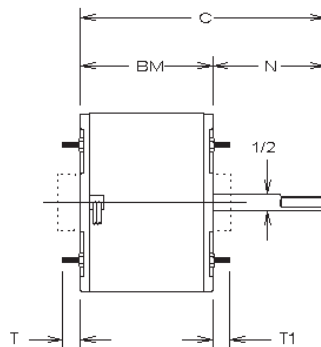


### "TURN-A-BOU" 1 AND 2-SPEED (CAPACITOR NOT INCLUDED)

HP	RPM	Volts	Speeds	Amps		Insulation		Stock Number	Bearings	Capacitor	Dim. Ref.	Notes
				Rated	Max.	Class	Ambient					
1/4	1075	208-230	2	1.3	1.8	B	60°C	FSE1026	Sleeve	5MFD/370V	1	9,71,288,\$
1/4	1075	208-230	2	1.3	1.8	B	60°C	FE1026	Ball	5MFD-370V	1	9,71,288,\$
1/4	1075	277	2	1.3	1.8	B	60°C	7FSE1026	Sleeve	5MFD/370V	1	9,71,288,\$
1/4	1075	460	1	0.75		B	60°C	788A	Ball	7.5MFD-370V	8	9,26,38,71,288,\$
1/4	1075	460	1	1.0		F	70°C	FEH1026SF	Ball	7.5MFD/370V	13	311,370,\$ HeatMaster
1/4	1625	208-230	2	1.7	2.5	B	60°C	FSE1024	Sleeve	5MFD-370V	4	9,71,288,\$
1/3	825	208-230	1	2.1		F	70°C	FE1038SF	Ball	7.5MFD/370V	6	311,370,\$ HeatMaster
1/3	825	208-230	1	2.1		F	70°C	FSE1038SF	Sleeve	7.5MFD/370V	6	40,370,\$ HeatMaster
1/3	1075	208-230	1	2.8		F	70°C	FE1036SF	Ball	7.5MFD/370V	5	311,370,\$ HeatMaster
1/3	1075	208-230	1	2.7		B	60°C	FSE1036SV1	Sleeve	7.5MFD/370V	3	9,308,281,\$
1/3	1075	208-230	1	2.8		F	70°C	FSE1036SF	Sleeve	7.5MFD/370V	5	40,281,\$ HeatMaster
1/3	1075	208-230	2	1.8	2.8	B	60°C	FE1036	Ball	7.5MFD-370V	11	9,71,288,\$
1/3	1075	208-230	2	1.8	2.8	B	60°C	FSE1036	Sleeve	7.5MFD/370V	2	9,71,288,\$
1/3	1075	460	1	1.3		F	70°C	FEH1036SF	Ball	7.5MFD/370V	14	311,370,\$ HeatMaster
1/3	1075	460	1	1.0		B	60°C	789A	Ball	7.5MFD-370V	9	10,26,38,71,288,\$ New!
1/3	1100	575	1	0.75	0.8	B	60°C	5FE1036S	Ball	7.5MFD-440V	10	9,98,311,277,\$
1/2	825	208-230	1	2.5		F	70°C	FE1058SF	Ball	10MFD/370V	7	311,370,\$ HeatMaster
1/2	825	208-230	1	2.5		F	70°C	FSE1058SF	Sleeve	10MFD/370V	7	40,370,\$ HeatMaster
1/2	1075	208-230	1	4.0		F	70°C	FE1056SF	Ball	10MFD/370V	12	311,370,\$ HeatMaster
1/2	1075	208-230	1	4.2		B	60°C	FSE1056SV1	Sleeve	10MFD/370V	14	9,308,281,\$

### Notes:

- Reversing Plug
- Reversible. Quick connect terminals
- Extended thru bolts, shaft end only
- Includes conduit box, mounting screws, gasket, shipped detached
- Four mounting holes in shell
- No hubs on either end
- 1/2" hub on shaft end and slinger
- 47" leads
- 36" leads
- 26" leads (minimum)
- 1/2" hub on shaft end frame with slinger. Grommet on lead exits.
- 1/2" dia. shaft, single flat
- 48" leads



### Approximate Dimensions

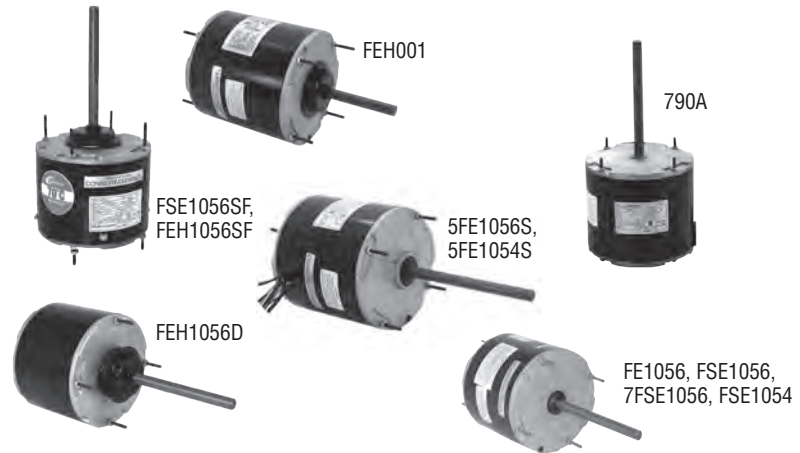
Ref.	BM	C	N	T	T1
1	4.36	10.36	6.00	.56	.88
2	4.86	10.86	6.00	.56	.88
3	4.86	11.30	6.44	.56	.88
4	4.61	10.61	6.00	.56	.88
5	4.86	11.36	6.50	.88	1.12
6	5.11	11.61	6.50	.88	1.12
7	5.61	12.11	6.50	.88	1.12
8	4.99	11.05	6.06	—	.49
9	5.24	11.30	6.06	—	.49
10	5.36	11.86	6.50	.56	.88
11	5.11	11.11	6.00	.56	.88
12	5.36	11.86	6.50	.88	1.12
13	4.74	11.24	6.50	.88	1.12
14	5.24	11.74	6.50	.88	1.12

# 5-5/8" Diameter (Totally Enclosed) - Outdoor Ball and Sleeve Bearing

## Condensers - Heat Pump - Refrigeration

### Features:

- Energy Efficient \$
- Permanent Split Capacitor
- Class B or Class F Insulation
- Ball or Sleeve Bearing
- 1/2" Dia. Flatted Shaft
- 26" (Minimum) to 48" Leads
- 60 HZ
- All Angle Mount
- 60° or 70° C Ambient
- Auto Protector
- Reversible
- 4, 6, and 8 Pole
- Extended Thru Bolts



### "TURN-A-BOU" 1 AND 2-SPEED (CAPACITOR NOT INCLUDED)

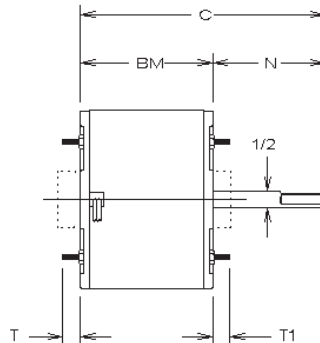
HP	RPM	Volts	Speeds	Amps		Insulation		Stock			Dim.		Notes
				Rated	Max.	Class	Ambient	Number	Bearings	Capacitor	Ref.		
1/2	1075	208-230	1	4.0		F	70°C	FSE1056SF	Sleeve	10MFD/370V	3	40,281, \$	HeatMaster
1/2	1075	208-230	2	2.8	3.5	B	60°C	FE1056	Ball	10MFD-370V	4	9,288, \$	
1/2	1075	208-230	2	2.8	4.0	B	60°C	FSE1056	Sleeve	10MFD/370V	1	9,71,288, \$	
1/2	1075	208-230/460	1	2.4/1.2		B	60°C	FEH1056D	Ball	10MFD-370V	9	7,9,26,293,288, \$	
1/2	1075	277	2	2.4	3.2	B	60°C	7FSE1056	Sleeve	10MFD/370V	1	9,71,288, \$	
1/2	1075	460	1	1.2	1.35	B	60°C	FEH001	Ball	10MFD-370V	8	9,98,119,288, \$	
1/2	1075	460	1	1.5		B	60°C	790A	Ball	10MFD-370V	5	9,26,38,288, \$	
1/2	1075	460	1	1.5		F	70°C	FEH1056SF	Ball	10MFD/370V	10	311,370, \$	HeatMaster
1/2	1100	575	1	1.1	1.2	B	60°C	5FE1056S	Ball	7.5MFD-370V	7	9,98,277,311, \$	
1/2	1625	208-230	2	3.0	4.2	B	60°C	FSE1054	Sleeve	5MFD-370V	2	9,71, \$	
1/2	1625	575	1	1.0	1.4	B	60°C	5FE1054S	Ball	7.5MFD-440V	6	9,98,277,311, \$	

### Notes:

- 7. Resilient mounting rings included
- 9. Reversing Plug
- 26. Extended thru bolts, shaft end only
- 38. Includes conduit box, mounting screws, gasket, shipped detached
- 40. Four mounting holes in shell
- 71. No hubs on either end
- 98. 1/2" hub on shaft end and slinger
- 119. Suitable replacement for Aaon
- 277. 47" leads
- 281. 36" leads
- 288. 26" leads (minimum)
- 293. 9" leads
- 311. 1/2" dia. shaft, single flat
- 370. 48" leads

### Approximate Dimensions

Ref.	BM	C	N	T	T1
1	5.36	11.36	6.00	.56	.88
2	5.36	11.36	6.00	.56	.88
3	5.36	11.86	6.50	.88	1.12
4	5.36	11.36	6.00	.56	.88
5	5.61	11.67	6.06	—	.49
6	5.36	11.86	6.50	.56	.88
7	5.61	12.11	6.50	.56	.88
8	5.61	9.61	4.00	.88	.95
9	5.61	11.61	6.00	—	.88
10	5.61	12.11	6.50	.88	1.12

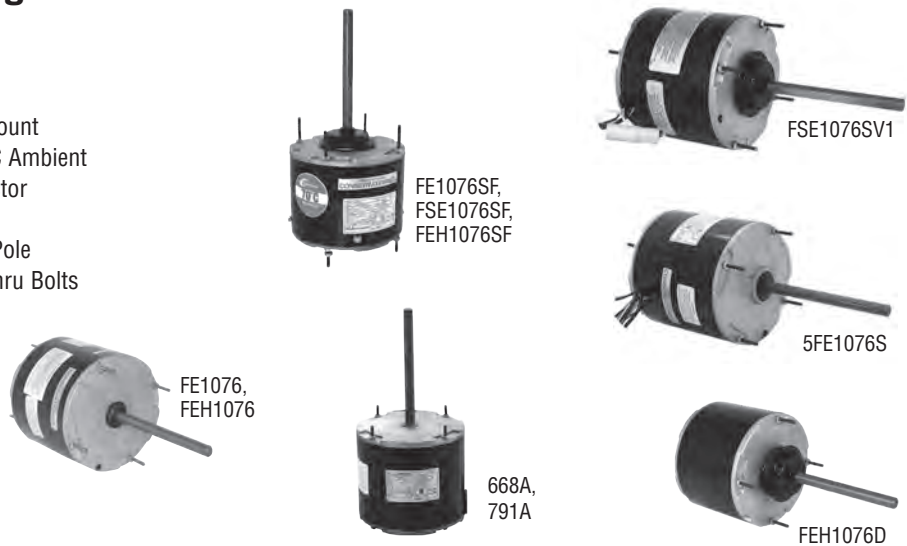


# 5-5/8" Diameter (Totally Enclosed) - Outdoor Ball and Sleeve Bearing

## Condensers - Heat Pump - Refrigeration

### Features:

- Energy Efficient \$
- Permanent Split Capacitor
- Class B or Class F Insulation
- Ball or Sleeve Bearing
- 1/2" Dia. Flatted Shaft
- 26" (Minimum) to 48" Leads
- 60 HZ
- All Angle Mount
- 60° or 70° C Ambient
- Auto Protector
- Reversible
- 4, 6 and 8 Pole
- Extended Thru Bolts

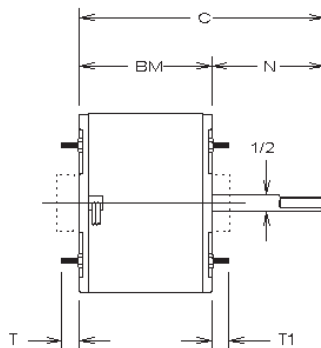


### "TURN-A-BOUT" 1 AND 2-SPEED (CAPACITOR NOT INCLUDED)

HP	RPM	Volts	Speeds	Amps		Insulation		Stock			Dim.	
				Rated	Max.	Class	Ambient	Number	Bearings	Capacitor	Ref.	Notes
3/4	1075	208-230	1	4.1		B	60°C	668A	Ball	15MFD-370V	8	9,60,98,288,\$
3/4	1075	208-230	1	5.1		F	70°C	FE1076SF	Ball	15MFD/370V	9	311,370,\$ HeatMaster
3/4	1075	208-230	1	5.2		B	60°C	FSE1076SV1	Sleeve	15MFD/370V	1	9,308,281,\$
3/4	1075	208-230	1	5.1		F	70°C	FSE1076SF	Sleeve	15MFD/370V	2	40,281,\$ HeatMaster
3/4	1075	208-230	2	3.8	4.7	B	60°C	FE1076	Ball	12.5MFD-370V	6	9,178,288,\$
3/4	1075	208-230/460	1	3.4/1.7		B	60°C	FEH1076D	Ball	10MFD-370V	7	7,9,26,293,375\$
3/4	1075	460	1	2.5		B	60°C	791A	Ball	10MFD-370V	5	9,26,38,288,\$
3/4	1075	460	1	2.2		F	70°C	FEH1076SF	Ball	10MFD/370V	10	311,370,\$ HeatMaster
3/4	1075	460	2	1.7	1.9	B	60°C	FEH1076	Ball	10MFD-370V	3	9,178,288,\$
3/4	1075	575	1	1.8	1.9	B	60°C	5FE1076S	Ball	15MFD-370V	4	9,277,311,\$

### Notes:

- 7. Resilient mounting rings included
- 9. Reversing Plug
- 26. Extended thru bolts, shaft end only
- 38. Includes conduit box, mounting screws, gasket, shipped detached
- 40. Four mounting holes in shell
- 60. Stock #1218A adapter and rings supplied for base mounting
- 98. 1/2" hub on shaft end and slinger
- 178. Low speed 1/2 HP
- 277. 47" leads
- 281. 36" leads
- 288. 26" leads (minimum)
- 293. 9" leads
- 308. 1/2" hub on shaft end frame with slinger
- 311. 1/2" dia. shaft, single flat
- 370. 48" leads
- 375. 5" leads



### Approximate Dimensions

Ref.	BM	C	N	T	T1
1	5.61	12.06	6.45	.61	.88
2	5.61	12.11	6.50	.88	1.12
3	6.11	12.11	6.00	.88	.45
4	6.11	12.61	6.50	1.20	.88
5	6.11	12.17	6.06	—	.49
6	5.86	11.86	6.00	.56	.88
7	6.11	12.11	6.00	—	.88
8	5.86	11.84	5.98	.88	1.63
9	5.61	12.11	6.50	.88	1.12
10	6.11	12.61	6.50	.88	1.12

# 5-5/8" Diameter Deluxe Commercial Condenser Fan Motors

## Features:

- Energy Efficient \$
- Auto Protector
- Class B or Class F Insulation
- Heavy duty Ball Bearing
- High Thrust Capacity
- Reversible
- "Patented" Fan Canopy
- Vertical shaft up only
- 48 Frame
- 60° or 70° C Ambient
- 60 HZ Only



**SINGLE PHASE (CAPACITOR NOT INCLUDED) (SINGLE PHASE MOTORS [EXCEPT 1-1/2 HP] SUITABLE FOR USE WITH SOME SOLID STATE SPEED CONTROL DEVICES)**

HP	RPM	Volts	F.L. Amps			Ins. Class	Ambient	Stock Number	Shaft Type	Capacitor	Dim. Ref.	Notes
			230V	460V	575V							
.4	1075	200-230/460	3.2	1.6		F	70°C	<b>FC1046F</b>	1/2" Flat-A	5MFD/440V	1	HeatMaster
.6	1075	200-230/460	4.0	2.0		F	70°C	<b>FC1066F</b>	1/2" Flat-A	7.5MFD/440V	2	HeatMaster
.6	1075	200-230/460	4.0	2.0		F	70°C	<b>FC1066AF</b>	5/8" Flat & Key-B	7.5MFD/440V	2	HeatMaster
.6	1075	575			1.5	B	60°C	<b>5FC1066</b>	1/2" Flat-A	7.5MFD/440V	10	
.8	1075	200-230/460	4.6	2.3		F	70°C	<b>FC1086F</b>	1/2" Flat-A	20MFD/370V	3	196 HeatMaster
.8	1075	200-230/460	4.6	2.3		F	70°C	<b>FC1086AF</b>	5/8" Flat & Key-B	20MFD/370V	3	HeatMaster
1	1075	200-230/460	6.4	3.2		F	70°C	<b>FC1106F</b>	5/8" Flat & Key-B	25MFD/370V	4	251 HeatMaster
1	1075	575			2.2	B	60°C	<b>5FC1106</b>	5/8" Flat & Key-B	25MFD/370V	4	251
1 1/2	1075	200-230/460	7.0	3.5		F	70°C	<b>FC1156F</b>	5/8" Flat & Key-B	25MFD/370V	5	251 HeatMaster

## THREE PHASE

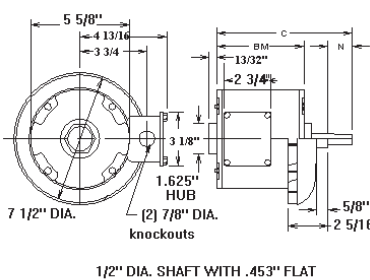
HP	RPM	Volts	F.L. Amps			Ins. Class	Ambient	Stock Number	Shaft Type	Capacitor	Dim. Ref.	Notes
			230V	460V	575V							
1/2	1140	200-230/460	3.0	1.5		F	70°C	<b>FC3056F</b>	1/2" Flat-A	Three-Phase	2	HeatMaster
3/4	1140	200-230/460	4.0	2.0		F	70°C	<b>FC3076F</b>	5/8" Flat & Key-B	Three-Phase	6	HeatMaster
3/4	1140	575			1.5	B	60°C	<b>5FC3076</b>	5/8" Flat & Key-B	Three-Phase	8	
1	1120	200-230/460	5.0	2.5		B	60°C	<b>FC3107</b>	5/8" Flat & Key-B	Three-Phase	7	251
1	1140	200-230/460	5.6	2.8		F	70°C	<b>FC3106F</b>	5/8" Flat & Key-B	Three-Phase	4	251 HeatMaster
1	1100	575			1.3	B	40°C	<b>9428A</b>	1/2" Flat	Three-Phase	9	31
1	1140	575			2.3	B	60°C	<b>5FC3106</b>	5/8" Flat & Key-B	Three-Phase	4	251
1 1/2	1120	200-230/460	5.8	2.9		F	70°C	<b>FC3156F</b>	5/8" Flat & Key-B	Three-Phase	4	251 HeatMaster

## Notes:

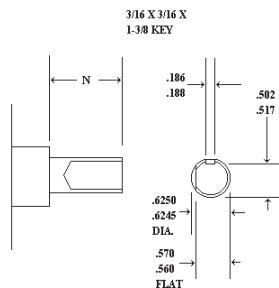
- 31. 40 Degree C ambient
- 196. Includes 5/8" adapter & key
- 251. All 1 HP and 1-1/2 HP motor supplied with conversion kit allowing motor to be used in most 56 frame applications

## Approximate Dimensions

Ref.	BM	C	N
1	5.36	10.30	3.57
2	6.99	12.49	3.85
3	8.86	13.80	3.57
4	9.56	15.00	4.07
5	10.11	15.55	4.07
6	9.11	14.55	4.07
7	8.81	14.25	4.07
8	8.56	14.00	4.07
9	7.50	10.68	2.71
10	6.94	12.16	3.57



Type A



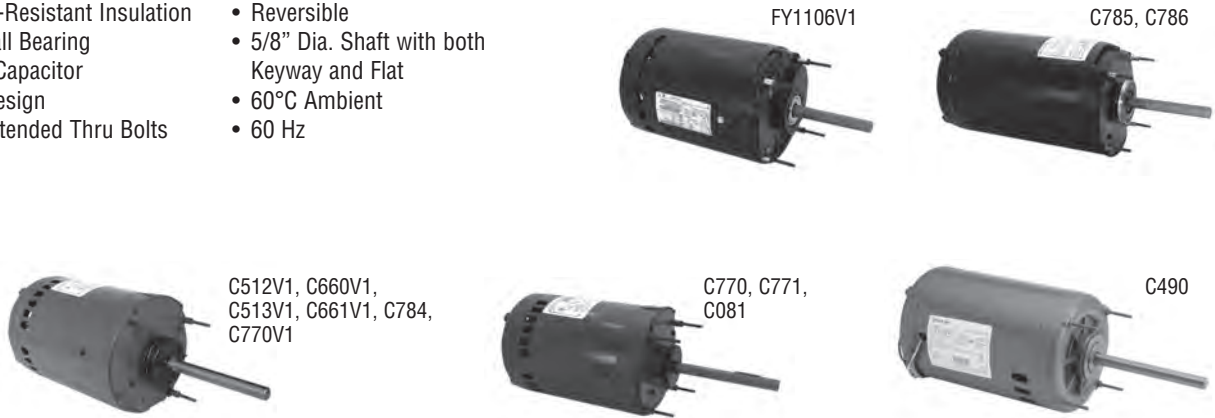
Type B

# 6-1/2" Diameter Stock Motors

## 56 Frame Vertical Condenser Fan Continuous Duty, Air Over

### Features:

- Class B Moisture-Resistant Insulation
- Double Sealed Ball Bearing
- Permanent Split Capacitor
- Quick-Connect Design
- 1" (Minimum) Extended Thru Bolts
- Reversible
- 5/8" Dia. Shaft with both Keyway and Flat
- 60°C Ambient
- 60 Hz



### PERMANENT SPLIT CAPACITOR - ELECTRICALLY REVERSIBLE

HP	RPM	Volts	Full Load Amps	Service Factor	Frame	Stock Number	Enclosure	Protector	Capacitor	Ring to Ring Dimension	Dim Ref.	Notes
1/2	850	460/200-230	1.7/3.5-3.4	1.00	56Y	<b>C512V1</b>	OAO	Auto	15MFD-370V	10.31	1	58
1/2	850	115/208-230	6.6/4.0-3.3	1.00	56Y	<b>C784</b>	OAO	Auto	15MFD-370V	10.30	1	58
1/2	1075	460/200-230	1.25/2.6-2.5	1.00	56Y	<b>C513V1</b>	OAO	Auto	10MFD-370V	9.81	2	58
3/4	825	460/200-230	2.6/5.3-5.2	1.00	56Y	<b>C660V1</b>	OAO	Auto	15MFD-370V	10.81	3	58
3/4	1075	460/200-230	1.9/4.0-3.8	1.00	56Y	<b>C661V1</b>	OAO	Auto	15MFD-370V	9.81	2	58
1	825	460/200-230	3.4/7.2-6.8	1.00	56Z	<b>C490</b>	OAO	Auto	12.5MFD-370V	11.05	4	31,58,265
1	1075	460/200-230	2.4/4.8	1.00	56Y	<b>C770</b>	OAO	Auto	25MFD-370V		1	
1	1075	460/200-230	2.4/4.8	1.00	56Y	<b>C770V1</b>	OAO	Auto	25MFD-370V	10.31	1	58
1	1075	208-230/460	4.2/2.3	1.00	56Y	<b>C785</b>	TEAO	Auto	25MFD-440V	10.80	3	31,58
1	1075	200-230/460	5.0/2.5	1.00	56Y	<b>FY1106V1</b>	OAO	Auto	20MFD-370V	9.84	2	6,58
1	1075	575	2.2	1.00	56Y	<b>C081</b>	OAO	Auto	25MFD-370V		3	
1 1/2	1075	460/200-230	3.3/6.6	1.00	56Y	<b>C771</b>	OAO	Auto	25MFD-370V		5	
1 1/2	1075	208-230/460	6.6/3.3	1.00	56Y	<b>C786</b>	TEAO	Auto	25MFD-370V	11.60	5	31,58

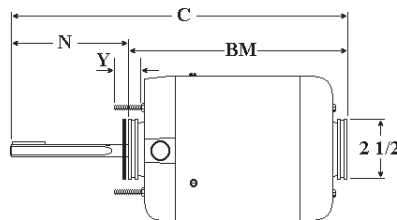
### Notes:

- 6. 60/50 HZ
- 31. 40 degree C ambient
- 58. Supplied with resilient mounting rings
- 265. 50-inch leads, 2-1/2" resilient rings

### Approximate Dimensions

Ref.	BM	C	N	Y
1	10.75	16.81	6.00	1.00
2	10.31	16.31	6.00	1.00
3	11.31	17.31	6.00	1.00
4	11.50	17.50	6.00	1.25
5	12.06	18.06	6.00	1.00

Motors shipped with thru bolts out shaft end may be reversed for vertical mount.



## 56 Frame Vertical Condenser Fan Continuous Duty, Air Over

### Features:

- Auto Protector
- Class B or F Moisture-Resistant Insulation
- Double Sealed Ball Bearing
- Three Phase
- Quick-Connect Design
- Reversible
- 5/8" Dia. Shaft with both Keyway and Flat
- 60 Hz

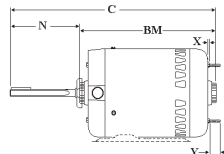


### THREE PHASE - ELECTRICALLY REVERSIBLE

HP	RPM	Volts	Amps	Service Factor	Frame	Stock Number	Insul. Class	Ambient °C	Enclosure	Dim. Ref.	Notes
1/2	1140	460/208/230	.95/2.0-1.9	1.00	56Y	OKR1096	B	40	TEAO	11	3,163
1/2	1140	460/200-230	1.3/2.8-2.6	1.00	56HZ	H1055A	F	70	OAO	17	368,371,New!
1/2	1140	460/200-230	1.3/2.8-2.6	1.00	56Y	H564	B	60	OAO	1	
1/2	1140	575	0.80	1.00	56 Y	H977	B	60	TEAO	10	163
3/4	1140	460/200-230	1.5/2.8-3.0	1.00	56HZ	H1056A	F	70	OAO	18	368,371,New!
3/4	1140	460/200-230	1.5/2.8-3.0	1.00	56Y	H567	B	60	OAO	1	
3/4	1140	575	1.25	1.00	56Y	H961	B	60	OAO	1	
1	850	460/200-230	2.0/4.4-4.0	1.00	56Y	OKR1503	B	60	OAO	3	3,163,368
1	850	460/208-230	2.6/5.2-5.0	1.00	56HZ	H1053A	F	70	OAO	15	368,371,New!
1	850	460/208-230	2.6/5.2-5.0	1.00	56HZ	H1053RB	F	70	OAO	15	34,368,New!
1	850	460/200-230	2.0/4.4-4.0	1.00	56Y	H686	B	60	OAO	2	163
1	850	575	1.6	1.00	56Y	H962	B	60	OAO	3	163
1	1140	460/200-230	2.6/5.3-5.2	1.00	56Y	H667	B	60	OAO	4	
1	1140	460/208-230	2.2/4.4-4.0	1.00	56HZ	H1050RB	F	70	OAO	13	34,368,New!
1	1140	460/208-230	2.2/4.4-4.0	1.00	56HZ	H1050A	F	70	OAO	13	368,371,New!
1	1140/940	460/208-230	1.8/3.7-3.6	1.15	56Y	H696	B	70	TEAO	5	6
1	1140	575	2.0	1.00	56Y	H671	B	60	OAO	1	
1	1140	200-230/460	5.7/2.9	1.00	56Y	FY3106	B	60	TEAO	6	6,76
1 1/2	850	460/208-230	3.6/6.7-7.2	1.00	56HZ	H1054A	F	70	OAO	16	368,371,New!
1 1/2	850	460/208-230	3.6/6.7-7.2	1.00	56HZ	H1054RB	F	70	OAO	16	34,368,New!
1 1/2	1140	200-230/460	5.4/2.7	1.00	56Y	FY3156	B	60	TEAO	7	6,76
1 1/2	1140	460/208-230	2.9/5.8-5.8	1.00	56HZ	H1051A	F	70	OAO	14	368,371,New!
1 1/2	1140	460/208-230	2.9/5.8-5.8	1.00	56HZ	H1051RB	F	70	OAO	14	34,368,New!
1 1/2	1140	460/200-230	3.0/5.8-6.0	1.00	56Y	H767	B	60	ODP	4	
1 1/2	1140	460/200-230	2.6/5.4-5.2	1.15	56Y	H697	B	70	TEAO	8	
1 1/2	1140	575	2.3	1.00	56Y	H963	B	60	OAO	4	
2	1140	460/208-230	3.1/6.8-6.2	1.00	56Y	H698	B	70	TEAO	9	
2	1140	460/208-230	3.7/7.4-7.0	1.00	56HZ	H1052A	F	70	OAO	15	368,371,New!
2	1140	460/208-230	3.7/7.4-7.0	1.00	56HZ	H1052RB	F	70	OAO	15	34,368,New!
2	1140	460/208-230	3.1/6.8-6.2	1.00	56Y	H699	B	70	ODP	12	

### Notes:

- 3. Special OEM Replacement Motor (see pages 94-132)
- 6. 60/50 Hz
- 34. Rigid base
- 76. Motors shipped with thru bolts out shaft end – see photos above. May be reversed for vertical mount.
- 163. No keyway, double flat
- 368. Inverter Duty
- 371. Removable 56H rigid base



### Approximate Dimensions

Ref.	BM	C	N	Y	X
1	10.31	16.31	6.00	1.00	
2	9.36	14.24	4.88		
3	10.25	13.56	3.31		
4	10.81	16.81	6.00	1.00	
5	10.75	15.63	4.88		
6	11.32	15.42	4.10	1.18	0.63
7	10.59	14.84	4.25	1.17	0.63
8	11.25	17.44	6.19		
9	12.00	15.63	3.63		

### Approximate Dimensions

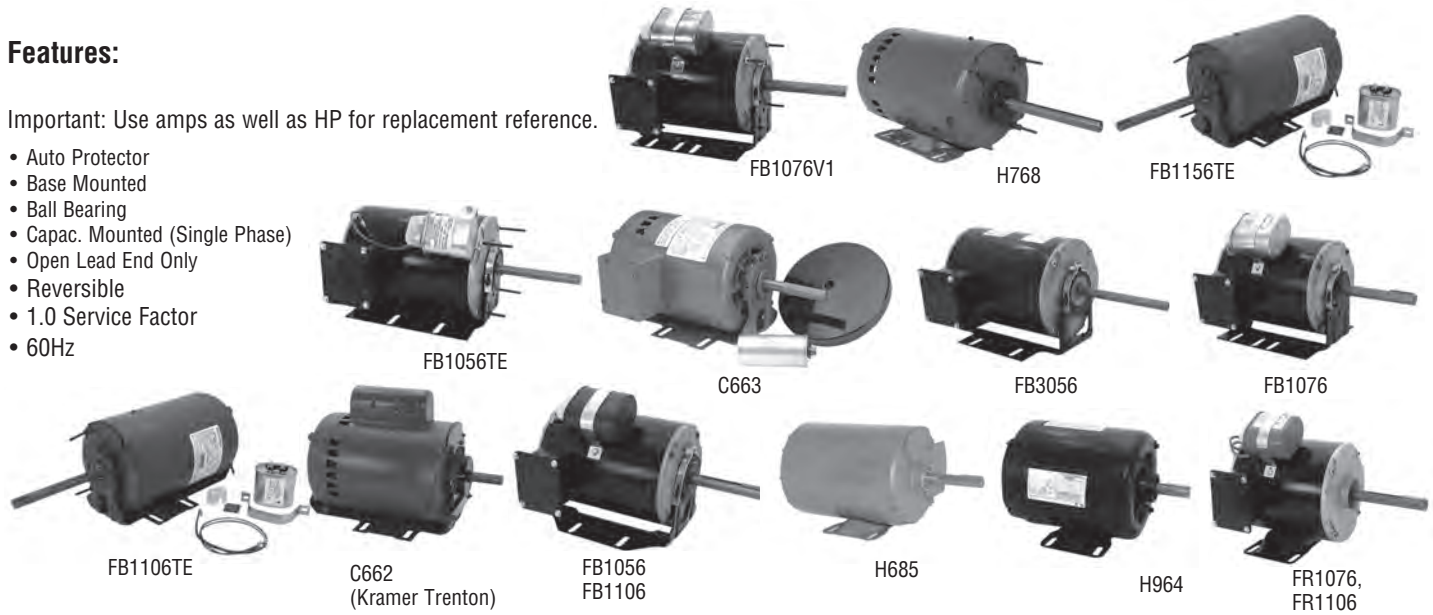
Ref.	BM	C	N	Y	X
10	9.12	12.56	3.44		
11	9.13	11.07	1.94		
12	12.00	18.19	6.19		
13	10.33	16.30	6.00	1.00	
14	11.32	17.32	6.00	1.00	
15	12.32	18.32	6.00	1.00	
16	12.77	18.77	6.00	1.00	
17	10.09	16.09	6.00	1.00	
18	10.20	16.20	6.00	1.00	

# Outdoor Ball Bearing Condenser Fan Motors

## Features:

Important: Use amps as well as HP for replacement reference.

- Auto Protector
- Base Mounted
- Ball Bearing
- Capac. Mounted (Single Phase)
- Open Lead End Only
- Reversible
- 1.0 Service Factor
- 60Hz



## SINGLE PHASE - PSC

HP	RPM	Volts	Max. Amps	Frame	Stock Number	Shaft	Ambient "C"	Enclosure	Rotation	Base	Dim Ref.	Notes
1/2	1075	208-230/460	2.4/1.2	48Y	FB1056TE	1/2" FLAT	40	TEAO	REVERSIBLE	RESILIENT	13	
1/2	1075	208-230/460	5.2/2.6	48Z	FB1056	1/2" FLAT	60	OAO	REVERSIBLE	RESILIENT	1	211,212
3/4	1075	208-230/460	6.0/3.0	56Y	FB1076	5/8" KEY & FLAT	60	OAO	REVERSIBLE	RESILIENT	2	210
3/4	1075	208-230/460	6.0/3.0	48Y	FR1076	5/8" KEY & FLAT	60	OAO	REVERSIBLE	RIGID	3	210
3/4	1075	460/208-230	2.1/4.3-4.2	56Y	C662	5/8" FLAT	60	OAO	RCC	RESILIENT	7	3
3/4	1075	208-230/460	6.0/3.0	48Y	FB1076V1	1/2" FLAT	60	OAO	REVERSIBLE	RESILIENT	13	318
3/4 SPL	1100	208-230/460	4.8-4.2/2.1	56Z	C663	5/8" FLAT	40	ODP	CCW	RESILIENT	8	3,59,241
1	1075	208-230/460	7.6/3.8	56Y	FB1106	5/8" KEY & FLAT	60	OAO	REVERSIBLE	RESILIENT	4	209
1	1075	208-230/460	9.0/4.5	56Y	FR1106	5/8" KEY & FLAT	60	OAO	REVERSIBLE	RIGID	5	209
1	1075	208-230/460	4.2/2.3	56Y	FB1106TE	5/8" KEY & FLAT	40	TEAO	RCC	RESILIENT	14	314
1 1/2	1075	208-230/460	6.6/3.3	56Y	FB1156TE	5/8" KEY & FLAT	40	TEAO	RCW	RESILIENT	12	314

## THREE-PHASE

HP	RPM	Volts	Max. Amps	Frame	Stock Number	Shaft	Ambient "C"	Enclosure	Rotation	Base	Dim Ref.	Notes
1/2	1140	208-230/460	2.5/1.25	56Y	FB3056	1/2" Flat	60	OAO	Reversible	Resilient	6	
1	1140	460/200-230	1.9/4.2-3.8	56Y	H685	5/8" Key & Flat	60	TEAO	RCC	Rigid	9	
1	1140	575	1.4	56Z	H964	5/8" Keyed	60	TEAO	RCC	Rigid	10	
1 1/2	1140	460/200-230	3.0/5.8-6.0	56Y	H768	5/8" Key & Flat	60	ODP	RCC	Rigid	11	

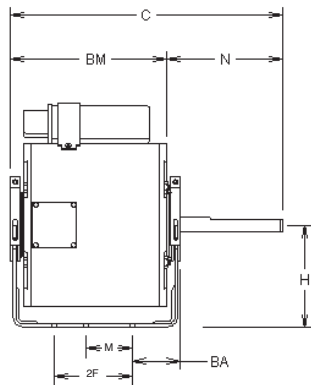
## Notes:

3. Special OEM Replacement Motor (see pages 94-132)  
 59. Suitable for use with low ambient speed control  
 209. FB1106 and FR1106 also replaces motor used on Kramer Trenton units DD661, DD791 (Recommend FR1106 for vertical applications.)  
 210. FB1076/FR1076 also replaces Kramer Trenton 045-004 and Universal HF3W0R8K, HF3W052N  
 211. FB1056 is the same as FB1056X

212. FB1056 also replaces Dunham Bush motor MTR-226  
 241. Capacitor and rainshield included  
 314. 1" Extended thru bolt  
 318. 1-1/2" Extended thru bolt

## Approximate Dimensions

Ref.	BM	C	N	H	BA	2F	M
1	8.69	13.19	4.50	3.00	2.43	2.75	
2	7.36	12.31	4.95	3.50	1.50	2.75	1.69
3	7.31	12.25	4.94	3.50	2.75	3.00	
4	8.33	12.83	4.50	3.50	1.50	3.00	
5	8.00	12.94	4.94	3.50	2.75	3.00	
6	7.75	13.41	5.66	3.50	2.56	3.00	
7	9.75	12.75	3.00	3.50	2.75	3.00	
8	9.78	14.35	4.57	3.50	2.75	3.00	
9	8.86	12.86	4.00	3.50	2.75	3.00	
10	9.78	13.81	4.03	3.50	2.75	3.00	
11	10.34	16.81	6.47	3.50	2.75	5.00	3.00
12	11.59	18.06	6.47	3.50	2.75	3.00	
13	8.24	13.74	5.50	3.00	2.43	2.75	
14	10.59	17.31	6.72	3.50	2.75	3.00	





## One and 2-Speed Evaporative Cooler Motor

### Features:

#### Premium Moisture Resistance Windings (115 Volt)

The evaporative cooler motor provides all the features needed to insure long, trouble-free life under the high moisture atmosphere of evaporative cooler duty.

- Brass current carrying terminal board parts
- Class B insulation
- Continuous filtration of oil
- Electro-zinc plated governor parts, dust caps, terminal board cover
- Heavy magnet wire insulation
- High viscosity encapsulating varnish
- Moisture resistant terminal board
- No frame ventilation openings in the top portion of the frame
- Single and two speed
- 7-1/2" ring to ring dimension\*



### Applications: Belt Driven Evaporative Coolers

Readily acknowledged as the leading supplier to the residential and commercial evaporative cooler market, Century offers moisture resistant features including plated hardware and switch parts, fungus treatment and double dip varnish treatment. These features provide the best buy for the customer.

HP	RPM	Speeds	Volts	Full Load Amps	Service Factor	Frame	Stock Number	Protector	Enclosure	Rotation	"C" Dim.	Notes
<b>OPEN, SPLIT PHASE</b>												
1/3	1725	1	115	6.5	1.00	56Z	VB2034	Auto	ODP	CCWLE	9.45	330,*
1/3	1725	1	115	6.5	1.00	56Z	VB2034B	Auto	ODP	CCWLE	9.45	81,262
1/3~1/10	1725/1140	2	115	6.5/3.6	1.00	56Z	SVB2034	Auto	ODP	CCWLE	9.45	330,*
1/3~1/10	1725/1140	2	115	6.9/4.0	1.00	56Z	SVB2034B	Auto	ODP	CCWLE	9.45	81,262
1/2	1725	1	115	7.8	1.00	56Z	VB2054	Auto	ODP	CCWLE	9.45	330,*
1/2	1725	1	115	7.6	1.00	56Z	V2054B	Auto	Open	REV	9.44	1,81,262
1/2	1725	1	115	7.8	1.00	56Z	VB2054B	Auto	ODP	CCWLE	9.45	81,262
1/2	1725	1	115	8.0	1.00	56Z	OTEB2054A	Auto	ODP	CWLE	8.94	261
1/2~1/6	1725/1140	2	115	8.5/4.1	1.00	56Z	SVB2054	Auto	ODP	CCWLE	9.45	330,*
1/2~1/6	1725/1140	2	230	4.4	1.00	56Z	SVB2054H	Auto	ODP	CCWLE	9.45	330,*
1/2~1/4	1725/1140	1	115	8.0/6.0	1.00	56Z	SV2054BV2L	Auto	Open	REV	10.45	New!
3/4	1725	1	115	10.6	1.00	56Z	VB2074	Auto	ODP	CCWLE	9.45	330,*
3/4	1725	1	115	10.6	1.00	56Z	VB2074B	Auto	ODP	CCWLE	9.86	81
3/4~1/4	1725/1140	2	115	10.5/5.0	1.00	56Z	SVB2074	Auto	ODP	CCWLE	9.45	330,*
3/4~1/4	1725/1140	2	230	5.6/2.8	1.00	56Z	SVB2074H	Auto	ODP	CCWLE	9.45	330,*
3/4~1/3	1725/1140	2	115	11.2/7.0	1.00	56	SVB2074BV1	Auto	ODP	REV	9.86	1,81

Base 805C678H16 and Clamps 165A674A01 available, will fit models with a "C" Dim. of 9.44 or 9.45.

HP	RPM	Speeds	Volts	Full Load Amps	Service Factor	Frame	Stock Number	Protector	Enclosure	Rotation	"C" Dim.	Notes
<b>OPEN, CAPACITOR START</b>												
1	1725/1425	1	115/208-230	14.4/6.6-7.2	1.25	56	V1104BL	Auto	Open	REV	11.8	New!
1~1/3	1725/1140	1	115	12.7/7.6	1.00	56Z	SV2104L	Auto	Open	CCWLE	12.1	New!
1~1/3	1725/1140	2	115	12.7/7.6	1.00	56Z	SV2104V1L	Auto	Open	CCWLE	12.1	1
1~1/3	1725/1140	2	115	12.7/7.6	1.00	56Z	SV2104V1L1	Auto	Open	REV	12.1	New!
1~1/3	1725/1140	2	230	6.4/3.9	1.00	56Z	SV2104HL	Auto	Open	CCWLE	12.1	New!
1~1/3	1725/1140	2	230	6.4/3.9	1.00	56Z	SV2104HV2	Auto	Open	REV	12.1	New!
1 1/2	1725	1	115/230	15.0/7.5	1.00	56Z	V1154B	Auto	ODP	REV	13.8	81,354
2	1725	1	115/230	18.0/9.0	1.15	56Z	V1204B	Auto	ODP	REV	14.3	81,354

#### Notes:

\*7-1/2" ring to ring dimension

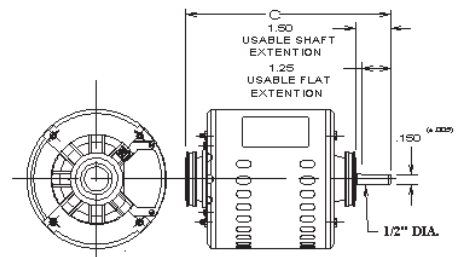
1. Item to be discontinued when stock is depleted
81. Includes base

261. 9 leads

262. 56Z = 1/2" flat X 1.62 shaft, with 56 FR. base

330. 56Z = 1/2" shaft with flat, 1.62" long

354. 56Z = 7/8" diameter keyed shaft, 2-1/4" long



## 48 & 56 Frame Special Purpose Motors

### E-Plus® Belted or Direct Drive Motors

#### Features:

- Ball Bearing
- Bearings lubricated with Beacon 325 low temperature grease
- Capacitor Start/Capacitor Run
- Energy Efficient \$
- Class B Insulation
- Resilient Base
- Dripproof
- High Efficiency
- Reversible
- 50°C Ambient
- 60 Hz



HP	RPM	Volts	Full Load Amps	Frame	Stock Number	Overload Protector	Service Factor	"C" Dim
1/2	1725	115/208-230	5.2/2.8-2.6	56Z	C585	Auto	1.25	10.69,\$
3/4	1725	208-230/115	4.2-4.0/8.0	56	C586	Auto	1.25	11.44,\$

## Outdoor Duty Transformer Cooling Fan Motors

#### Features:

- Auto Protector
- Class B Insulation
- Double Sealed Ball Bearing
- Enclosed Air-Over
- Extended Thru-Bolts
- Keyed Shaft
- Permanent Split Capacitor
- Reversible
- Rigid Base
- Single Phase
- Weatherproof Construction
- 40°C Ambient
- 60/50 Hz
- 1.0 Service Factor

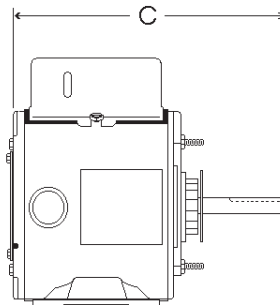


**Applications:** Designed specifically to meet the requirements of outdoor power transformer cooling applications.

HP	RPM	Volts	Frame	Full Load Amps	Stock Number	Shaft & Length	"C" Dim.	Notes
1/6	1140	208-230	48Y	0.9	C720A	5/8" x 3"	9.6	6
1/4	1725	208-230	48Y	1.2/1.4	C721A	5/8" x 2-1/2"	9.4	6
1/4	1140	208-230	48Y	1.3	C722A	5/8" x 3"	9.0	6
1/3	1140	208-230	48Y	1.4	C723A	5/8" x 3"	9.2	
1/3	1075	115/200-230	48Y	6.4/3.6-3.1	C723V1A	1/2" x 2-1/2"	9.2	101,260,346
1/2	1725	208-230	48Y	2.5	C724A	5/8" x 3"	10.1	6

#### Notes:

- 6. 60/50 HZ
- 101. 1.50 service factor
- 260. 56Z - 1/2" flatted shaft
- 346. 65 degree C ambient



# 48 & 56 Frame Special Purpose Motors

## Pedestal Fan Motors

### Features:

- Class B Insulation
- Continuous Duty
- Service Factor 1.0
- Permanent Split Capacitor and Split Phase Designs
- Thermally Protected
- Yoke Mount
- 40°C Ambient
- 60 Hz



Totally Enclosed  
486, 486A, 647A, 648A,  
9451A, 9452A,  
Open D.P.: 914, 914L, 915L,  
969A, 970A (Schaefer)

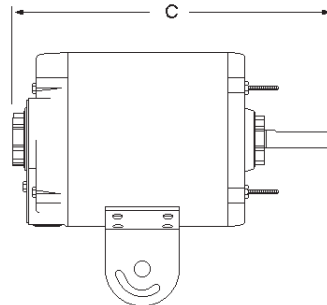


Totally Enclosed  
YA2020, YA2030,  
YA2054

HP	RPM	Speeds	Volts	Full Load Amps	Frame	Stock Number	Bearings	Enclosure	Shaft Dia. & Length	Rotation	"C" Dim.	Notes
1/4	1100	2	115	3.2	48Y	<b>486A</b>	Ball	Enclosed	1/2" x 3"	REV	10.4	29,86
1/4	1725	1	115	4.2	48YZ	<b>YA2020</b>	Sleeve	TEAO	1/2" x 2"	REV	9.8	39,314
1/4	1725	1	115/230	3.6/1.8	48Y	<b>9451A</b>	Ball	Enclosed	1/2" x 3-1/4"	CCWLE	9.3	
1/4	1725	1	115	5.1	48	<b>914L</b>	Sleeve	ODP	1/2" x 2"	REV	9.9	
1/3	1100	2	115	4.7	48Y	<b>647A</b>	Ball	Enclosed	1/2" x 3"	REV	9.9	26,86
1/3	1725	1	115	6.0	48YZ	<b>YA2030</b>	Sleeve	Enclosed	1/2" x 2"	REV	10.3	39,314
1/3	1725/1425	2	115/230	3.0/1.5	48Y	<b>970A</b>	Ball	Enclosed	1/2" x 2-1/2"	CCWLE	8.9	3,6
1/2	1100	1	115	6.1	48Y	<b>648A</b>	Ball	Enclosed	5/8" x 3"	REV	10.9	86
1/2	1725	1	115/230	4.5/2.3	48Y	<b>9452A</b>	Ball	Enclosed	5/8" x 2-1/2"	CCWLE	10.2	
1/2	1725	1	115	6.9	48	<b>915L</b>	Sleeve	ODP	5/8" x 2"	REV	10.3	<b>New!</b>
1/2	1725	1	115	5.0	48YZ	<b>YA2054</b>	Sleeve	Enclosed	5/8" x 2"	REV	10.8	39,84
1/2	840	1	115/230	6.1/3.1	48Y	<b>969A</b>	Ball	Enclosed	5/8" x 2-5/8"	CCWLE	11.0	3

### Notes:

3. Special OEM Replacement Motor (see pages 94-132)
6. 60/50 HZ
26. Extended thru bolts – shaft end only
29. 60 Degree C Ambient
39. Gasketed conduit box
84. Energy Efficient split phase start capacitor run with mounted capacitor
86. Cord and plug with pull chain
314. 1" extended thru bolts



# 48 & 56 Frame Special Purpose Motors

## Nesbitt Replacement Motors Century® AC Motors

### Features:

- Cushion Base
- Permanent Split Capacitor
- Service Factor 1.0
- 40°C Ambient
- 60 Hz
- 8 Pole



### Applications:

Direct replacement for ITT Nesbitt HVAC wall units found in schools, hotels, hospitals and ceiling units located in auditoriums and gymnasiums.

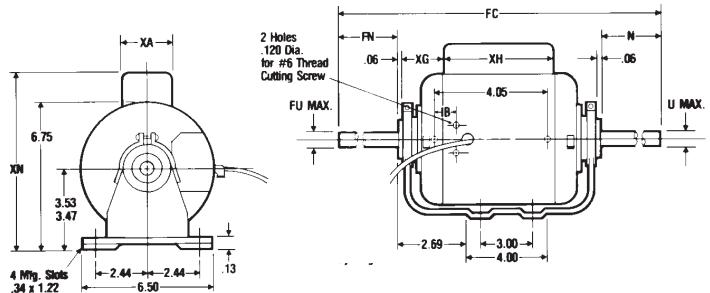
HP	RPM	Speeds	Volts	Full Load Amps	Frame	Stock Number	Bearings	Enclosure	Shaft Dia. & Length	Insul. Class	Protector	Rotation
1/12	715	1	115	2.0	56Z	C031	Ball	TEAO	16-5/8 x 3/4 x 16-5/8	B	None	REV
1/8	850	3	115	1.5	48Y	C032A	Sleeve	OAO	6-1/2 x 1/2 x 6-1/2	B	Auto	CWLE
1/6	800	1	230	1.6	56Z	C035	Ball	TEAO	20-3/4 x 3/4 x 20-1/2	B	Auto	CWLE
1/6	800	1	115	3.0	56Z	C034	Ball	TEAO	21-1/2 x 3/4 x 21-1/2	A	Auto	CWLE
1/6	800	1	115	3.0	56	C033	Ball	ODP	5/8 x 2	A	Auto	REV
1/3	850	1	115	5.0	56Z	C036	Ball	TEAO	23 x 3/4 x 23	B	Auto	REV

## Nesbitt Replacement Motors

### Dimensions in inches

Stock #	FC	N	FN	U	XA	XG	XH	XN	FU
C031	41.50	16.69	16.68	.75	2.34	1.74	4.64	8.10	.75
C032A	18.00	6.02	6.04	.50	—	—	—	4.32 <sup>1</sup>	.50
C033	11.07	1.94	—	.625	2.34	2.56	4.64	4.60 <sup>1</sup>	—
C034	51.26	21.59	21.57	.75	2.34	1.74	4.64	4.60 <sup>1</sup>	.75
C035	49.25	20.44	20.69	.75	2.34	1.74	4.64	4.60 <sup>1</sup>	.75
C036	55.01	22.94	22.94	.75	2.34	2.31	4.64	7.32 <sup>2</sup>	.75

- Notes: <sup>1</sup>Capacitor located at 3:00 o'clock  
<sup>2</sup>Capacitor located at 10:00 o'clock



## Convection and Pizza Oven Motors

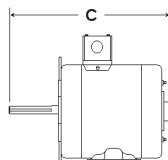
### Features:

- Automatic Reset Overload Protector
- Cushion Base and Special 8.75 Eared Bracket or Flange
- Direct Drive Open
- Double-Sealed Ball Bearings
- Reversible
- Split Phase
- Single and Two Speed
- 60°C Ambient
- 60 Hz



HP	RPM	Speeds	Volts	Full Load Amps	Service Factor	Frame	Stock Number	Enclosure	Base/ Mounting	Insul. Class	"C" Dim	Notes
<b>Speed</b>												
1/3	1725/1425	1	100-115/200-230	5.0-5.2/2.5-2.6	1.35	56Z	F267	Open	Cushion Base	B	14.1	6,253,377
1/3	1725/1425	1	100-115/200-230	5.0-5.2/2.5-2.6	1.35	56Y	F266	ODP	Eared Bkt./Removable Base	B	11.6	6,377
1/2	1725	1	100-115/200-230	6.2-6.6/3.1-3.3	1.00	56Y	F260	Open	Special Flange	B	10.8	377
1/2	1725	1	100-115/200-230	6.2-6.6/3.1-3.3	1.00	56Y	F268	Open	Eared Bkt.	B	10.6	377
3/4	1725	1	115/230	9.6/4.8	1.00	56Y	F261	Open	Special Flange	B	11.1	377
3/4	1725	1	115/230	9.6/4.8	1.00	56Y	F269	ODP	Eared Bkt.	B	10.9	377
<b>Two Speed</b>												
1/3~.09	1725/1140	2-2-VT	100-115	6.2-6.0/3.0-2.8	1.35	56Y	F264	ODP	Eared Bkt./Removable Base	B	12.3	6,377
1/3~.09	1725/1140	2-2-VT	200-230	2.8-2.9/1.3-1.4	1.35	56Y	F265	ODP	Eared Bkt./Removable Base	B	12.3	6,377

- Notes:  
 6. 60/50 Hertz  
 253. 5/8" Dia keyed and flattened shaft, 6" long  
 377. Proofing switch included



**Applications:** Domestic high and low pressure oil burners and other applications where 48M and 48N flange mounting is required. This line of motors includes open (enclosed except for shaft end bracket) and totally enclosed designs to meet all requirements. All mounting dimensions such as location of ears, diameter of rabbet fit and shaft size are in accordance with NEMA standards. Most of the normally stocked replacement ratings feature the **external reversing switch** for ease of use in those tight, dark and dirty locations. All ratings include sleeve bearings for quiet operation and manual reset thermal overload protectors for safe, dependable use.



OBK6002V1



EL2004  
Reversible Switch Model  
Oil Burner Motor

## SPLIT PHASE, 60 HZ, ENCLOSED, MANUAL PROTECTOR, FACTORY CONNECTED FOR CW ROTATION

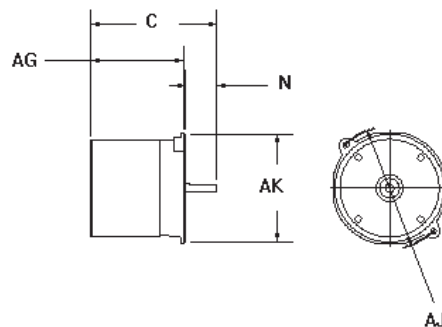
HP	RPM	Volts	Approx. F.L. Amps	Service Factor	Frame	Stock Number	Bearings	Rotation	Dim. Ref.	Notes
1/8	1725	115	2.5	1.0	48N	EL2005	Sleeve	REV	1	217,292
1/8	1725	115	2.5	1.0	48N	EL2004V1	Sleeve	REV	1	156,216,217,292
1/8	3450	115	2.8	1.0	48N	OL2002	Sleeve	REV	11	1,156,216,292
1/7	3450	115	2.5	1.0	48M	EL2002	Sleeve	REV	2	216,217,299
1/7	3450	115	2.5	1.0	48M	EL2002V1	Sleeve	CCWOSE	2	156,292
1/7	3450	115	1.8	1.0	48M	OBK6002V1	Ball	CWOSE	7	70,156,227,369
1/6	1725	115	3.2	1.0	48N	XEL2014	Sleeve	REV	3	217,292
1/6	1725	115	3.2	1.0	48N	EL2014V1	Sleeve	REV	3	156,216,217,292
1/6	3450	115	2.7	1.0	48M	EL2012	Sleeve	REV	5	216,292
1/4	1725	115	3.7	1.0	48N	EL2024	Sleeve	REV	4	216,292
1/4	3450	115	3.4	1.0	48N	EL2022	Sleeve	REV	4	156,292
1/3	1725	115	4.3	1.0	48N	OL2034	Sleeve	REV	4	156,292
1/3	1725	115	4.3	1.0	48N	EL2034	Sleeve	REV	8	55
1/3	3450	115/230	4.2/2.1	1.0	48N	OL2032	Sleeve	REV	4	156,289
1/3	3450	115/230	5.2/12.6	1.35	48N	OL1032D	Sleeve	REV	10	45,55,156
1/2	3450	115/230	6.2/3.1	1.0	48N	OL2052D	Sleeve	REV	4	6,156,289
1/2	3450	115/230	7.3/3.7	1.25	48N	OL1052DS	Sleeve	REV	9	45,55,159
3/4	3450	115/208-230	10.0/5.0	1.0	48CZ	OL1072D	Ball	REV	6	45,55,157,271

### Notes:

1. Item to be discontinued when stock is depleted
6. 60/50 HZ
45. Capacitor start
55. Terminal board
156. Open shaft end bracket
157. Open construction
159. Open dripproof
216. Equipped with rotation switch for easy reversibility
217. Equipped with provisions for mounting 4" x 4" conduit box
227. Direct replacement for Beckett 21805U
271. 5/8" keyed shaft
289. 12-1/4" leads
292. 20" leads
299. 15" leads

### Approximate Dimensions

Ref.	C	AG	N	AK	AJ
1	7.16	5.22	1.82	6.37	7.25
2	7.41	5.47	1.82	5.50	6.75
3	7.66	5.72	1.82	6.37	7.25
4	8.66	6.72	1.82	6.37	7.25
5	7.91	5.97	1.82	5.50	6.75
6	10.81	8.75	2.06	-	5.88
7	6.71	4.59	1.82	5.50	6.75
8	11.22	9.22	1.88	6.37	7.25
9	12.41	10.41	1.88	6.37	7.25
10	11.91	9.91	1.88	6.37	7.25
11	7.93	5.93	1.88	6.37	7.25



### OIL BURNER MOTOR FLANGE DIMENSIONS

NEMA Frame	Bolt Circle AJ	Rabbit Dia. AK
48M	6-3/4"	5-1/2"
48N	7-1/4"	6-3/8"

# Century® and Universal Electric® Hot Water Circulator Pump Motors

## Features:

- Bell and Gosset, S.A. Armstrong, Taco, Replacement Motors
- Open Dripproof
- Single-Phase
- Special Red Paint
- 60 Hz
- Sleeve Bearing except as noted (Note 2)
- Auto Protector



**Applications:** Replacement motors to be used on hot water pumps. For use with adjustable base.

## Single-Phase - 1800 RPM - Cushion Rings - Dripproof

HP	RPM	Volts	Amps	Service Factor	Frame	Stock Number	Type	R Hub-Hub	Shaft Dia. & Length	Rotation	Cross Reference	Notes
1/12	1725	115	2.5	1.75	48YZ	HW20084L	1	7.63	1/2" x 1/2" flat	CCWLE	4UB99	339,340
1/12	1725	115	2.9	1.00	48	OTA2004	1	6.13	1/2" x 7/8" flat	REV		338
1/8	1725	115	3.0	1.40	48Z	HW2004L	1	7.00	1/2" x 1-1/2" flat	CCW		New!
1/6	1725	115	3.4	1.35	48Z	HW2014L	1	7.63	1/2" x 5/8" flat	CCW		New!
1/6	1725	115	3.4	1.35	48Z	HW2014V1L	1	7.94	1/2" x 5/8" flat	CW		New!
1/2	1725	115/230	7.2/3.6	1.25	56Y	C240	1	8.94	5/8" x 1-7/8" flat	RCW		338
1/2	1725	115/230	7.2/3.6	1.25	56Y	C242	1	9.75	5/8" x 1-3/8" flat	RCW		339
1/2	1725	115/230	9.6/4.8	1.25	56Y	C241	1	8.98	5/8" x 1-1/8" flat	CWLE	3K519	340
3/4	1725	115/230	11.8/5.9	1.25	56Y	C243	1	8.98	5/8" x 1-1/8" flat	CWLE	3K522	340
3/4	1725	115/230	10.4/5.2	1.30	56Y	C233	1	9.75	5/8" x 1-3/8" flat	RCW		339
3/4	1725	115/230	10.4/5.2	1.30	56Y	C244	1	9.43	5/8" x 1-7/8" flat	RCW		338
1	1725	230/115	6.5/13.0	1.25	56Y	C247	1	9.62	5/8" x 1-7/8" flat	RCW		338
1	1725	230/115	6.5/13.0	1.25	56Y	C245	1	9.75	5/8" x 1-3/8" flat	RCW		339
1	1725	230/115	6.5/13.0	1.25	56Y	C246	1	9.38	5/8" x 1-1/8" flat	RCW		340
1 1/2	1725	230/115	7.5/15.0	1.20	56Y	C248	1	10.20	5/8" x 1-7/8" flat	RCC		2,338

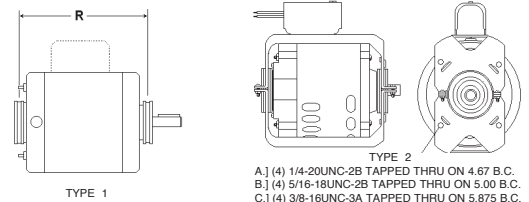


## Single-Phase - 1800 RPM - Base Included - Dripproof

HP	RPM	Volts	Amps	Service Factor	Frame	Stock Number	Type	Bearings	Shaft Dia. & Length	Rotation	Cross Reference	Notes
1/12	1725	115	2.5	1.00	48Y	939L	2A	Sleeve	1/2" x 3/4" set screw	CCWLE	3K515	340
1/12	1725	115	2.8	1.00	48YZ	HW20084BL	2A	Sleeve	1/2" x 3/4" set screw	CCWLE	4UE10	339,340
1/8	1725	115	3.1	1.00	48Y	OBG2004	2A	Sleeve	1/2" x 5/8" set screw	REV	4UE22	43,120,340
1/6	1725	115	4.1	1.75	48Z	HW2014BL	2B	Sleeve	1/2" x 3/4" set screw	CCW		New!
1/6	1725	115	4.1	1.75	48Z	HW2014B1L	2A	Sleeve	1/2" x 3/4" set screw	CCW	5ELL8	New!
1/6	1725	115	2.9	1.00	48Y	941L	2A	Sleeve	1/2" x 3/4" set screw	CCWLE	3K520	340
1/4	1725	115	4.6	1.25	48	HW2024BL	2C	Ball	1/2" x 1/2" set screw	CW		2, New!
1/4	1725	115	3.6	1.75	48Z	HW2024B1L	2B	Sleeve	1/2" x 3/4" set screw	CCW		New!
1/3	1725	115	5.7	1.30	48Z	HW2034BL	2C	Ball	1/2" x 1/2" set screw	CW		2, New!
1/2	1725	115/208-230	5.8/2.8-2.9	1.50	56YZ	C249	2C	Sleeve	5/8" x 1-1/8" keyed	CCW	4UE16	339,340
3/4	1725	115/208-230	8.4/4.2-4.2	1.50	56YZ	C250	2C	Sleeve	5/8" x 1-1/8" keyed	CCW	4UE18	339,340

## Notes:

2. Ball bearing
43. Class A insulation
120. Suitable replacement for 1/12 HP and 1/10 HP
338. Taco replacement
339. Armstrong replacement
340. Bell & Gosset replacement



# Century® and Universal Electric® Hot Water Circulator Pump Motors

## Features:

- Cushion Ring, No Base and C-Face
- Bell and Gosset, S.A. Armstrong, Taco, Replacement Motors
- Open Dripproof
- Three-Phase
- Special Red Paint
- 60 Hz
- No Protector
- Insulation Class B, except as noted (Note 87)
- Reversible



H988  
H988L



H982, H982V1  
H983, H983V1  
H984, H984L  
H985L, H946L  
H947L,  
H986, H986L  
H987, H987L

**Applications:** Replacement motor to be used on hot water pumps. For use with adjustable base.

## Three-Phase - 1800 RPM - No Base - Cushion Rings - Dripproof - Keyed Shaft

HP	RPM	Volts	Amps	Service Factor	Frame	Stock Number	Type	R Hub-Hub	Bearings	Shaft Dia. & Length	Cross Reference	Notes
3/4	1725	208-230/460	2.5-2.6/1.3	1.30	56Y	H982	1	9.43	Sleeve	5/8" x 1-7/8"		1, 338
3/4	1725	208-230/460	2.7-2.8/1.4	1.30	56Y	H982V1	1	9.80	Sleeve	5/8" x 1-7/8"		New!
3/4	1725	208-230/460	2.5-2.6/1.3	1.25	56Y	H983	1	8.87	Sleeve	5/8" x 1-1/8"	3N824	1, 339,340
3/4	1725	208-230/460	2.7-2.8/1.4	1.25	56Y	H983V1	1	9.30	Sleeve	5/8" x 1-1/8"		New!
1	1725	208-230/460	3.4-3.4/1.7	1.25	56Y	H984	1	9.82	Sleeve	5/8" x 1-3/8"		1, 339
1	1725	208-230/460	3.4-3.4/1.7	1.25	56Y	H984L	1	10.30	Sleeve	5/8" x 1-3/8"		New!
1	1725	208-230/460	3.4-3.4/1.7	1.25	56Y	H985L	1	9.76	Sleeve	5/8" x 1-1/8"		New!
1	1725/1425	208-230/460	3.7-3.6/1.8	1.25	56	H946L	1	9.75	Sleeve	5/8" x 1-7/8"		6, New!
1	1725	575	1.4	1.25	56Y	H947L	1	9.75	Sleeve	5/8" x 1-7/8"		New!
1 1/2	1725	208-230/460	4.8-5.0/2.5	1.15	56Y	H986	1	9.62	Sleeve	5/8" x 1-3/8"	3N826	1,339,340
1 1/2	1725	208-230/460	5.3-5.6/2.8	1.15	56Y	H986L	1	10.00	Sleeve	5/8" x 1-3/8"		New!
2	1725	208-230/460	6.3-6.4/3.2	1.15	56Y	H987	1	9.71	Ball	5/8" x 1-7/8"		1,338
2	1725	208-230/460	6.3-6.4/3.2	1.15	56Y	H987L	1	10.26	Ball	5/8" x 1-7/8"		New!
3	1725	460/208-230	4.4/9.0-8.8	1.15	56Y	H988	1	12.25	Ball	7/8" x 2-1/4"		87
3	1725	460/208-230	4.4/9.0-8.8	1.15	56Y	H988L	1	12.25	Ball	7/8" x 2-1/4"		87, New!



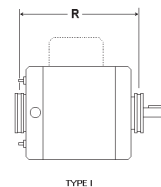
H1041L, H1046,  
H1046L, H1042L  
H1047L, H1043  
H1043L, H1048L  
H1044, H1044L  
H1049, H1049V1

## Three-Phase - 1800 RPM - C-Face - Dripproof

HP	RPM	Volts	Frame	Service Factor	Stock Number	Type	Bearings	Overload Protector	Rotation	Cross Reference	Notes
1/2	1725	208-230/460	56CZ	1.50	H1041L	3	Ball	None	RCC	4UE17	New!
1/2	1725	575	56CZ	1.25	H1046	3	Ball	None	RCC		1,339,340
1/2	1725	575	56CZ	1.25	H1046L	3	Ball	None	RCC		New!
3/4	1725	208-230/460	56CZ	1.50	H1042L	3	Ball	None	RCC		New!
3/4	1725	575	56CZ	1.25	H1047L	3	Ball	None	RCC		New!
1	1725	208-230/460	56CZ	1.40	H1043	3	Ball	None	RCC	4UE20	1,339,340
1	1725	208-230/460	56CZ	1.40	H1043L	3	Ball	None	RCC		New!
1	1725	575	56CZ	1.25	H1048L	3	Ball	None	RCC		New!
1 1/2	1725	208-230/460	56CZ	1.35	H1044	3	Ball	None	RCC	4UE21	1,339,340
1 1/2	1725	208-230/460	56CZ	1.35	H1044L	3	Ball	None			New!
1 1/2	1725	575	56CZ	1.35	H1049	3	Ball	None	RCC		1,339,340
1 1/2	1725	575	56CZ	1.35	H1049V1	3	Ball	None	RCC		New!

### Notes:

1. Item to be discontinued when stock is depleted
6. 60/50 HZ
87. Class F insulation
338. Taco replacement
339. Armstrong replacement
340. Bell & Gosset replacement



TYPE 1



TYPE 3

# O.E.M. - Direct Replacement

## Aaon



OAN1076, OAN1076V1



OAN010,  
OAN460,  
OAN470



OAN747,  
OAN140

HP	RPM	Speeds	Volts	Amps	Stock Number	Rotation	Capacitor	Shaft Dia. & Length	Motor Dia.	"A" Dim.	Cross Reference	Notes
1/4	3200	1	460/380-415	0.9	<b>OAN470</b>	CCWLE	5MFD/370V	3-1/4" x 1/2"	5-5/8"	5.49	F48S08A27	2,NEW!
1/3	1100	1	460	1.0	<b>OAN010</b>	CCWLE	7.5MFD/370V	3-1/4" x 1/2"	5-5/8"	4.74	F48A11A27C	2,NEW!
3/4	1075	1	208-230	5.4	<b>OAN460</b>	CCWLE	15MFD/370V	3" x 1/2"	5-5/8"	7.36	F48K44A27C	2,NEW!
3/4	1075	1	460	2.0	<b>OAN747</b>	CCWLE	15MFD/370V	3-1/4" x 1/2"	5-5/8"	7.11	F48U09A27	2,NEW!
3/4	1075	1	460	2.75	<b>OAN140</b>	CCWLE	12.5MFD/370V	4" x 1/2"	5-5/8"	6.36	F48R38A27C	2,NEW!
3/4	1075	1	460	2.6	<b>OAN1076</b>	CCWLE	12.5MFD/370V	4" x 1/2"	5-5/8"	6"	F48F37A27	2
											F48SP6V9, 1464	
3/4	1075~920	1	460/380-415	2.8/1.8	<b>OAN1076V1</b>	CCWLE	12.5MFD/370V	2-7/8" x 1/2"	5-5/8"	7-3/8"	F48K04A27	2,6

## Acme Engineering



599

HP	RPM	Speeds	Volts	Amps	Stock Number	Rotation	Capacitor	Shaft Dia. & Length	Motor Dia.	"A" Dim.	Cross Reference	Notes
1/10~1/20~1/30	1550	3	115	3.0-1.7-1.0	<b>599</b>	CWLE	Shaded Pole	1/2 x 2-5/8	5"	3-3/4	FASCO D119	2

## Addison



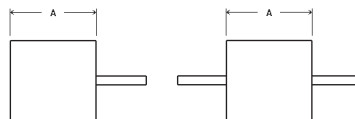
OAD1016



OAD1106

HP	RPM	Speeds	Volts	Amps	Stock Number	Rotation	Capacitor	Shaft Dia. & Length	Motor Dia.	"A" Dim.	Cross Reference	Notes
1/5-1/8	1075	2	230	1.5/0.8	<b>OAD1016</b>	CCWLE	5MFD/370V	1/2" x 3-3/4"	5-5/8"	4-3/8"	1847-01-05 8101-193 8101-279 18471-01-05 19906-01-02 F54CKY-1379 F55BWM-1119 F55CDR-1259 F55CSH-1352 K55EBC-2608 K55ERC-3004 8537	
1	1075	1	208-230/460	6.2/3.1	<b>OAD1106</b>	CCWLE	15MFD/370V	5/8" x 3-1/2"	5-5/8"	6-1/8"	811N-0064A F48F07B65	2

Notes:  
2. Ball bearing  
6. 60/50 HZ





## Amana



OAM10088,  
OAM1018

HP	RPM	Speeds	Volts	Amps	Stock Number	Rotation	Capacitor	Shaft Dia. & Length	Motor Dia.	"A" Dim.	Cross Reference	Notes
1/12	825	1	208-230	.5-.6	OAM10088	CWLE	5MFD/370V	1/2" X 2-1/4"	5-5/8"	3-7/8"	1871 K55BGZ-6813	
1/6	825	1	208-230	1.0-1.1	OAM1018	CWLE	5MFD/370V	1/2" X 2"	5-5/8"	4-3/8"	1873 K55BGW-6814	

## American Air Filter



0547A, 9618A

HP	RPM	Speeds	Volts	Amps	Stock Number	Rotation	Capacitor	Shaft Dia. & Length	Motor Dia.	"A" Dim.	Cross Reference	Notes
1/8	700	1	115	2.1	0547A	CWLE	Included	1/2 x 2-1/8	5-5/8"	6"	GE 3134 150444	2,4
1/4	1075	1	115	3.0	9618A	CWLE	Included	1/2 x 2-1/8	5-5/8"	5"	UE HE3L125 CE 168354 FASCO B880	2,4 <b>New!</b>

## American Standard

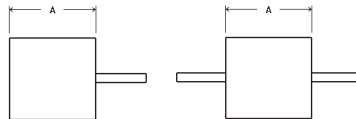


OAS40056

HP	RPM	Speeds	Volts	Amps	Stock Number	Rotation	Capacitor	Shaft Dia. & Length	Motor Dia.	"A" Dim.	Cross Reference	Notes
1/3	1075	1	230	3.4	OAS40056	CCWLE	Included	1/2" x 3-3/4"	5-5/8"	4-5/8"	3114 5KCP39HG3692S 5KCP39HG7728S	

**Notes:**

- 2. Ball bearing
- 4. Supplied with lead and plug assembly



# O.E.M. - Direct Replacement

## Arcoaire



743A, 744A

HP	RPM	Speeds	Volts	Amps	Stock Number	Rotation	Capacitor	Shaft Dia. & Length	Motor Dia.	"A" Dim.	Cross Reference	Notes
1/6	825	1	208-230	1.0	743A	CCWLE	5MFD-370V	1/2" x 2-1/2"	5-5/8"	4-1/8"	24346302-03	
1/3	1075	1	208-230	2.5	744A	CCWLE	5MFD-370V	1/2" x 2-3/4"	5-5/8"	4-1/2"	24346301	

## Arkla



OKB1038, OKB1058

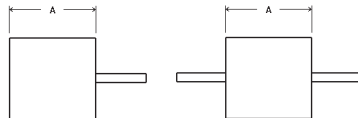


OKA1052, OKA1072

HP	RPM	Speeds	Volts	Amps	Stock Number	Rotation	Capacitor	Shaft Dia. & Length	Motor Dia.	"A" Dim.	Cross Reference	Notes
1/3	825	1	115	4.8	OKB1038	CCWLE	5MFD/370V	1/2" x 2-9/16"	5-5/8"	5-7/16"	B14506-393 B14506-363 F48SR8V1 F48SP8V3 K8042 2342 C729 3M824 D795	2
1/2	825	1	230	3.0	OKB1058	CCWLE	12.5MFD/370V	1/2" x 2-3/4"	5-5/8"	5-3/8"	B14506-396 B14506-354 F48SR8V3 F48SR8V7 F48ST8V1 K8075	2
1/2	3450	1	115/230	7.2/3.6	OKA1052	Rev	Cap Start	5/8" x 1-1/2"	5-5/8"	9"	14506-275	2,345
3/4	3450	1	115/230	9.6/4.8	OKA1072	Rev	Cap. Start	5/8" x 1-1/2"	5-5/8"	9-1/2"	2650 14506-259 4K039	2,345

### Notes:

1. Item to be discontinued when stock is depleted
  2. Ball bearing
345. Rigid base - wall mount



**Arkla, Tappan & SJC**



582

HP	RPM	Speeds	Volts	Amps	Stock Number	Rotation	Capacitor	Shaft Dia. & Length	Motor Dia.	"A" Dim.	Cross Reference	Notes
1/40	3000	1	115/230	1.0/1.50	582	CCWSE	Shaded Pole	BLOWER	3-3/8"	2-1/2"	JA1C113 JB1C040 JA1C039	

**Bohn (see Heatcraft)**

**Broan**



632



633



OBR40066,  
OBR40086,  
OBR40016



634

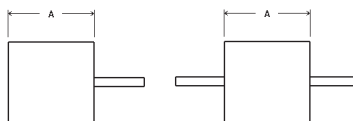


9649

HP	RPM	Speeds	Volts	Amps	Stock Number	Rotation	Capacitor	Shaft Dia. & Length	Motor Dia.	"A" Dim.	Cross Reference	Notes
1/50	1400	1	120	.73	633	CCWLE	Shaded Pole	5/16 x 1-5/16	3-3/8"	2-1/2"	BROAN 99080274 99080273 UE JA2M373 JA2C396	
1/45	1625	1	120	1.3	632	CWLE	Shaded Pole	1/4 x 1-1/2	3-3/8"	2.0	BROAN 99080345 UE JA2C229	
1/15	950	1	115	3.0	OBR40066	CCWLE	Shaded Pole	1/2 x 3	5"	3-1/2"	99080238	
1/15	1600	1	120	2.1	634	CCWLE	Shaded Pole	2-1/2 x 5/16 x 2-1/2	3-3/8"	3-3/8"	BROAN 99080359 UE JA2R268	
1/12	1000	1	115	3.7	OBR40086	CCWLE	Shaded Pole	1/2 x 3	5"	3-1/2"	99080237	
1/12	1050	1	115	2.9	9649	CWSE	Shaded Pole	1/2" x 2-11/16"	5"	3-1/4"	BROAN 99080178 77 FASCO D1087 FASCO 7151-3160 UE DA3E278	
1/10	1100	1	115	3.72	OBR40016	CCWLE	Shaded Pole	1/2 x 2-11/16	5"	4"	99080239	

**Notes:**

77. Molex terminal plug



# O.E.M. - Direct Replacement

## Butler Ventilator



9401

HP	RPM	Speeds	Volts	Amps	Stock Number	Rotation	Capacitor	Shaft Dia. & Length	Motor Dia.	"A" Dim.	Cross Reference	Notes
1/10	1050	1	115	3.4	9401	CCWLE	Shaded Pole	1/2" x 2-3/4"	5"	3-1/4	846PY4V D1066 7152-0081	

## Carrier/BDP



OCA10106,  
OCA10086



579, 580



778



570, 571, 660



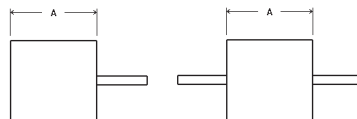
9625, 9626

HP	RPM	Speeds	Volts	Amps	Stock Number	Rotation	Capacitor	Shaft Dia. & Length	Motor Dia.	"A" Dim.	Cross Reference	Notes
1/20	3000	1	115/230	1.8/.92	570	CCWLE	Shaded Pole	1/4" x 2-1/2"	3-3/8"	6"	HC24AU600 HC24AU701	2,18
1/20	3000	1	115/230	1.8/.92	571	CWLE	Shaded Pole	1/4" x 2-1/2"	3-3/8"	6"	HC24AU700 HC24AU710	2,18
1/50	3300	1	115	1.4	579	CCWLE	Shaded Pole	5/16" x 2-1/4"	3-3/8"	3-1/4"	JA1M086	4,36
1/20	3300	1	115	1.8	580	CCWLE	Shaded Pole	5/16" x 2-1/8"	3-3/8"	3-3/4"	JA1P053	4,36
1/16	3450	1	208-230	.41	778	CCWLE	Included	1/4" x 3-3/4"	3-3/8"	6"	HC30GU208A HC30GU209A HC24AU231	2,18
1/16	3450	1	460	.25	9625	CWLE	Included	5/16" x 3-1/4"	3-3/8"	4-7/8"	HC30GB460 HC30GB462 JF1H101 JF1H091 D1184	150,327
1/16	3450	1	208-230	.48	9626	CWLE	Included	5/16" x 3-1/4"	3-3/8"	4-7/8"	HC30GB230 HC30GB232 JF1H012 JF1H092 D1182	327
1/15	3000/3450	1	230/460	1.0/.51	660	CCWLE	Shaded Pole	1/4" x 2-1/4"	3-3/8"	6"	HC24AU725A	2,18
1/12	1100	1	208-230	.53	OCA10086	CWLE	5MFD/370V	1/2" x 2-1/8"	5-5/8"	3-5/8"	3401 HE39GE232	
1/10	1100	1	208-230	0.7	OCA10106	CWLE	5MFD/370V	1/2" x 2-1/8"	5-5/8"	3-1/2"	3402 HC39GE233	

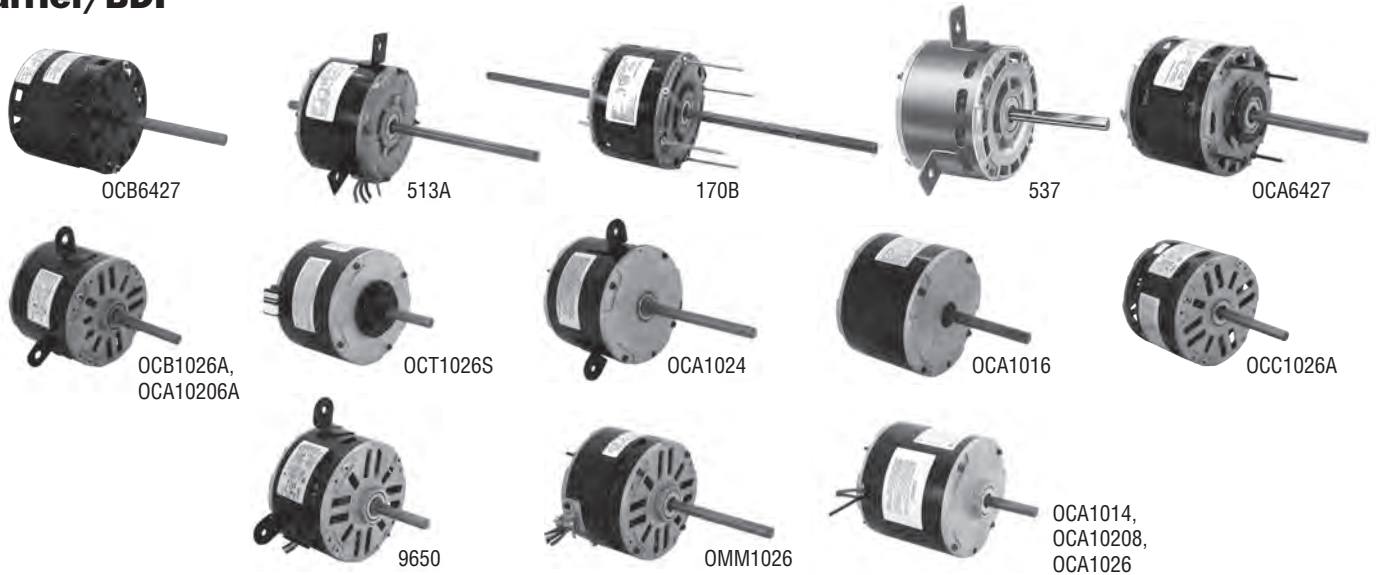
### Notes:

- 2. Ball bearing
- 4. Supplied with lead and plug assembly
- 18. Includes 1/4-5/16" bushing
- 36. Lug mount
- 150. Rated 50/60 Hz
- 327. Carrier Sensor Assembly (50HJ 401 484) not included

Continues on next page



**Carrier/BDP**

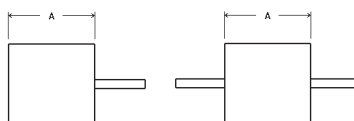


HP	RPM	Speeds	Volts	Amps	Stock Number	Rotation	Capacitor	Shaft Dia. & Length	Motor Dia.	"A" Dim.	Cross Reference	Notes
1/6-1/10-1/15	1625	3	208-230	1.1	170B	CCWLE	5MFD/370V	8-1/2" x 1/2" x 8-1/2"	5-5/8"	3-3/4"	5KCP39CGA401T	
1/6-1/8-1/10	1040	3	208-230	1.3-0.8-0.6	513A	CWLE	3MFD/370V	7" x 1/2" x 2-1/8"	5-5/8"	3-7/8"	124279, 128560	36
1/6	1500	1	208-230	0.9	OCA1014	CWLE	5MFD/370V	1/2" x 2-1/8"	5-5/8"	3-5/8"		
1/6	1075	1	208-230	.80-.95	OCA1016	CCWLE	3MFD/370V	1/2" x 3-5/8"	5-5/8"	3-5/8"	5453 K55JGH-2667	
1/6	1075	2	208-230	1.2-1.2	9650	CCWLE	4MFD/370V	1/2" x 3-1/8"	5-5/8"	3-5/8"		36
1/5-1/6	1050	2	208-230	1.3-.92	537	REV	5MFD-440V	1/2" x 4-3/8"	5-5/8"	3-3/4"	HC37VE230 HC37VE600	1,36
1/5	1050	4	115	7.8	OCB6427	CCWLE	Shaded Pole	1/2" x 4-13/16"	5"	4-1/16"		
1/5	1050	2	208-230	1.3	OCA10206A	REV	5MFD/440V	1/2" x 4-5/16"	5-5/8"	3-3/8"	F48SD6MA22 F48SD6MA4 F48SD6MA11 F48SD6MA6 F48SD6MA16	36 <b>New!</b>
1/5	1050	4	115	9.8	OCA6427	CCWLE	Shaded Pole	1/2" x 4"	5"	4"	2981	
1/5	825	1	208-230	1.0-1.1	OCA10208	CWLE	7.5MFD/370V	1/2" x 2-1/8"	5-5/8"	4-1/4"	3400 HC37GE208	
1/4	1625	1	230	1.4	OCA1024	CCWLE	4MFD/370V	1/2" x 4"	5-5/8"	3-7/8"	D844 3064 5KCP39BG7524S 5KCP39BGK007T	36
1/4	1075	1	230	2.1	OCC1026A	CCWLE	5MFD/370V	1/2" x 3-1/4"	5-5/8"	3-3/4"	F48SF6MA5 F48SJ6M5 3158 F48SG6MA10	208 <b>New!</b>
1/4	1075	2	208-230	2.2	OCB1026A	REV	5MFD/440V	1/2" x 4-5/16"	5-5/8"	3-3/4"	F48SJ6MA6 D843 3303 F48SG6MA16	36 <b>New!</b>
1/4	1075	1	208-230	2.1	OCT1026S	CCWLE	5MFD/370V	1/2" x 3-1/4"	5-5/8"	4-1/8"		111
1/4	1075	2	230	1.6	OMM1026	REV	5MFD/370V	1/2" x 5-1/2"	5-5/8"	4-3/8"	K8009	
1/4	1100	1	208-230	1.3-1.5	OCA1026	CWLE	5MFD/370V	1/2" x 2-1/8"	5-5/8"	4-1/8"	3404	

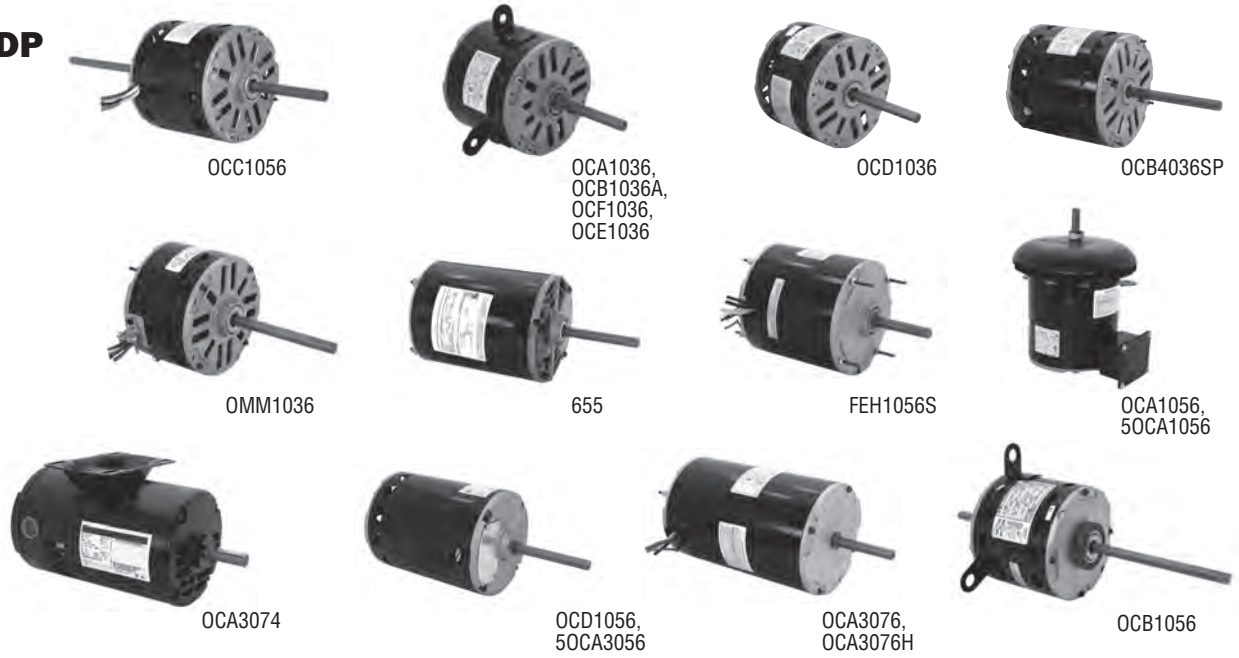
**Notes:**

- 1. Item to be discontinued when stock is depleted
- 36. Lug mount
- 111. Totally enclosed version of OCC1026
- 208. Fits most 38GS Series

Continues on next page



## Carrier/BDP



HP	RPM	Speeds	Volts	Amps	Stock Number	Rotation	Capacitor	Shaft Dia. & Length	Motor Dia.	"A" Dim.	Cross Reference	Notes
1/3	1075	2	208-230	2.5	<b>OCB1036A</b>	REV	5MFD/370V	1/2" x 4-3/8"	5-5/8"	4"	F48SJ6MA8	36
1/3	1075	2	208-230	2.5	<b>OCA1036</b>	REV	5MFD/370V	1/2" x 4-1/4"	5-5/8"	4 -5/8"		2,36
1/3	1075	4	115	4.8	<b>OCD1036</b>	CCWLE	5MFD/370V	1/2" x 4"	5-5/8"	4-3/8"	HC41MA119	1
											3162 323078	
1/3	1075	2	208-230	2.5	<b>OCF1036</b>	CCWLE	5MFD/370V	1/2 x 3-1/2"	5-5/8"	4-1/4"		36
1/3	1075	1	208-230	2.9	<b>OCE1036</b>	CCWLE	5MFD/370V	1/2 x 3-1/2"	5-5/8"	4-1/4"		36
1/3	1075	2	230	1.8	<b>OMM1036</b>	REV	5MFD/370V	1/2 x 5-1/2"	5-5/8"	4-3/8"	K8008	
1/3	1050	4	115	5.7	<b>OCB4036SP</b>	CCWLE	INTERNAL	1/2" x 4-5/8"	5-5/8"	5-3/8"		
1/2	1075	4	115	7.5	<b>OCC1056</b>	CCWLE	7.5MFD/370V	7-3/4"x1/2"x4-3/8"	5-5/8"	5-1/8"	HC43SZ116	
											5KCP39NGJ515	
1/2	1075	1	208-230	4.0	<b>OCD1056</b>	CWSE	7.5MFD/370V	1/2" x 4-3/8"	5-5/8"	7-3/8"	F48J6A1 F48J6A2 F48J6A5 P107, 3132 5KCP37PG361S	2
1/2	1100	1	230	4.3	<b>655</b>	CWSE	5MFD-370V	1/2" x 4-1/4"	5-5/8"	7-1/4"	HC44SL230	1,2
1/2	1050	1	460	0.9	<b>FEH1056S</b>	REV	10MFD/370V	1/2" x 3-5/16"	5-5/8"	5-5/8"	D802	2,113
											3320	
1/2	1075	1	200-230/460	4.6/2.3	<b>OCA1056</b>	REV	7.5MFD/440V	1/2" x 1-9/16"	5-5/8"	6-3/8"		2,36
1/2	1075	1	575	1.8	<b>5OCA1056</b>	CCWLE	7.5MFD/440V	1/2" x 1-9/16"	5-5/8"	5-5/8"		2,36
1/2	1075	3	208-230	3.0	<b>OCB1056</b>	CCWLE	7.5MFD/370V	2-3/4 x1/2x7-1/2"	5-5/8"	5"		2,36
1/2	1140	1	575	1.0	<b>5OCA3056</b>	REV	Three Phase	1/2" x 2-1/2"	5-5/8"	7"	P48J6A2 HD44ML461	2
3/4	1725	1	208-230/460	2.5-1.25	<b>OCA3074</b>	REV	Three Phase	5/8" x 1-15/16"	5-5/8"	10"	HD54KF652 HD46GA800	2,34
3/4	1140	1	208-230	3.8	<b>OCA3076</b>	REV	Three Phase	1/2" x 3 "	5-5/8"	8-3/4"	HD46GL230	2,113
3/4	1140	1	460	1.9	<b>OCA3076H</b>	REV	Three Phase	1/2" x 3"	5-5/8"	8-3/4"	HD46GK460	2,113

- Notes:**
1. Item to be discontinued when stock is depleted
  2. Ball bearing
  34. Rigid base
  36. Lug mount
  113. Totally enclosed

Continues on next page

**Carrier/BDP**



H978



H980



H979



FB3154

HP	RPM	Speeds	Volts	Amps	Stock Number	Rotation	Capacitor	Shaft Dia. & Length	Motor Dia.	"A" Dim.	Cross Reference	Notes
SPL	1725	1	208-230/460	3.6/1.8	<b>FB3154</b>	REV	3 Phase	5/8" x 2"	6-1/2"	9-7/8"	HD56FK651 P56A01A02	2
SPL	1140	1	208-230/ 460/575	5.5/2.8- 3.4	<b>H978</b>	REV	3 Phase	5/8" x 3-5/8"	6-1/2"	11-3/8"	HD52AK652 MAG. 176055	2
3.0	1725	1	208-230/460	9.0-9.0/4.5	<b>H980L</b>	REV	3 Phase	7/8" x 2-5/16"	6-1/2"	12-5/8"	HD60FK651 MAG. 182779	2
5.0	1725	1	208-230/460	15.0/7.4	<b>H979</b>	REV	3 Phase	7/8" x 2-5/16"	6-1/2"	13-5/8"	HD60FK652 MAG. 182779	2
5.0	1725	1	208-230/460	15.0/7.4	<b>H979L</b>	REV	3 Phase	7/8" x 2-5/16"	6-1/2"	13-5/8"	HD60FK652 MAG. 182779	2

**Chandler (see Heatcraft)**

**Climate Control (see Heatcraft)**

**Coleman**



98



349



BL6407,  
BL6408,  
BL6409

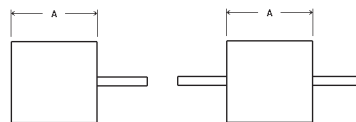


OMM1026,  
OMM1036

HP	RPM	Speeds	Volts	Amps	Stock Number	Rotation	Capacitor	Shaft Dia. & Length	Motor Dia.	"A" Dim.	Cross Reference	Notes
1/125	3000	1	115	.46	<b>349</b>	CCWLE	Shaded Pole	1/4" x 2-1/2"	3-3/8"	4-3/4"	AAIEO97	18
1/12	1050	1	115	3.1	<b>BL6409</b>	CCWLE	Shaded Pole	1/2" x 3"	5"	3-7/8"		
1/10	1050	1	115	3.9	<b>BL6408</b>	CCWLE	Shaded Pole	1/2" x 3"	5"	3-7/8"		
1/8~1/10~1/12	1050	3	115	5.1-3.5-3.0	<b>98</b>	CCWLE	Shaded Pole	1/2" x 3-3/4"	5"	4-1/4"	8865, 8845 8665, 8635	57
1/6	1000	1	115	7.8	<b>BL6407</b>	CCWLE	Shaded Pole	1/2" x 3"	5"	3-7/8"		
1/4	1075	2	230	1.6	<b>OMM1026</b>	REV	5MFD/370V	1/2" x 5-1/2"	5-5/8"	4-3/8"	K8009	
1/3	1075	2	230	1.8	<b>OMM1036</b>	REV	5MFD/370V	1/2" x 5-1/2"	5-5/8"	4-3/8"	K8008	

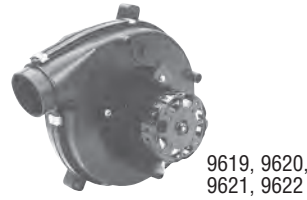
**Notes:**

- 2. Ball bearing
- 18. Includes 1/4"-5/16" bushing
- 57. Tapped holes for Coleman mount



# O.E.M. - Direct Replacement

## Consolidated Industries



HP	RPM	Speeds	Volts	Amps	Stock Number	Rotation	Capacitor	Shaft Dia. & Length	Motor Dia.	"A" Dim.	Cross Reference	Notes
1/30	3200	1	115	1.35	9619	CCWLE	Shaded Pole	Blower	3.38"	3"	JA1N107 490950 4246100	
1/30	3200	1	115	1.35	9621	CCWLE	Shaded Pole	Blower	3.38"	3"	JA1N117 430580 4311200	
1/20	3200	1	115	1.73	9620	CCWLE	Shaded Pole	Blower	3.38"	3"	JA1N114 422030 4246101	
1/20	3200	1	115	1.73	9622	CCWLE	Shaded Pole	Blower	3.38"	3"	JA1N118 430590 4311201	
3/4~1/2~ 1/3~1/4	1100	4	115	10.6-8.9- 8.6-7.8	643	CCWLE	15MFD-370V	5" x 1/2" x 3-1/2"	5-5/8"	6"	MAA 080 NRSR MAA 100 NRSR MBA 080 NRSR MBA 100 NRSR	1

## Copeland



HP	RPM	Speeds	Volts	Amps	Stock Number	Rotation	Capacitor	Shaft Dia. & Length	Motor Dia.	"A" Dim.	Cross Reference	Notes
1/6	1625	1	208-230	1.0	174A	REV	5MFD-370V	1/2" x 2-1/2"	5-5/8"	4"	S3051	
1/6	1400/1625	1	230	1.5	OCP0251	CWLE	Included	1/2" x 2-1/2"	5"	3-7/8"	322P913 050-0251-00 6128	6
1/4	1625	1	208-230	1.5	OCP1024	CWLE	5MFD/370V	1/2" x 3"	5-5/8"	4-9/16"	3047 D783 K6124 5KCP39GGD320T 5KCP39GG3537S	
1/4	1400/1625	1	230	1.5	OCP0250	CWLE	Included	1/2" x 2-1/2"	5"	3-7/8"	322P914 050-0250-00 6129	6
1/3	1625	1	208-230	2.6	OCP0108	CWLE	Included	1/2" x 2-1/4"	5-5/8"	5-3/4"	5KCP39KGB906AT 5KCP39KGB906AS 5KCP32KG259S 050-0108-00 050-0018-00 K55ECE2645 K55HXJNJ-2976 K55HXSZJ-8106 3124, 6127 5KCP32KG175S	2

### Notes:

- Item to be discontinued when stock is depleted
- Ball bearing
- 60/50 HZ



## Day/Night/Payne



HP	RPM	Speeds	Volts	Amps	Stock Number	Rotation	Capacitor	Shaft Dia. & Length	Motor Dia.	"A" Dim.	Cross Reference	Notes
1/3	1075	2	208-230	2.8	ODN1036A	CWLE	5MFD/370V	3-3/8" x 1/2"	5-5/8"	4.0"	3123 D845 5KCP39HGA206T 5KCP39HG7611S P251-5301 PS2126-2	50 <b>New!</b>
1/20~1/30	1550	2	115	2.7-1.4	359	CCWLE	Shaded Pole	4" x 5/16" x 4"	3-3/8"	3-1/8"	F33HXDDK-1548	

## DuoTherm



HP	RPM	Speeds	Volts	Amps	Stock Number	Rotation	Capacitor	Shaft Dia. & Length	Motor Dia.	"A" Dim.	Cross Reference	Notes
1/15	1000	1	115	3.2	686	CCWLE	Shaded Pole	3/8" x 3-3/4"	5"	3"	3-9930	4
1/8	1050	1	115	4.2	584	CCWLE	Shaded Pole	1/2" x 4"	5"	3-3/4"	3-14708	
1/6	1050	1	115	7.9	585	CCWLE	Shaded Pole	1/2" x 4"	5"	4-1/4"	3-14826	

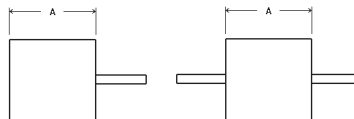
## Ebco



HP	RPM	Speeds	Volts	Amps	Stock Number	Rotation	Capacitor	Shaft Dia. & Length	Motor Dia.	"A" Dim.	Cross Reference	Notes
1/150	1550	1	115	.42	674	CWLE	Shaded Pole	1/4" -20THD.	3-3/8"	2-1/2"	JA2C022R	

### Notes:

- 4. Supplied with lead and plug assembly
- 50. Use with 5MFD-370V @ 230V; 7.5MFD-370 @ 208V



# O.E.M. - Direct Replacement

## Emerson (Chromalox)

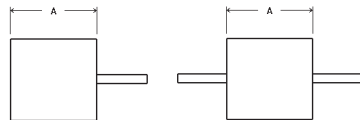


HP	RPM	Speeds	Volts	Amps	Stock Number	Rotation	Capacitor	Shaft Dia. & Length	Motor Dia.	"A" Dim.	Cross Reference	Notes
1/70	1550	1	208-230/277	.26/.19	656	CWLE	Shaded Pole	5/16" x 1-1/2"	3-3/8"	2-3/4"	AA2N080-084	
1/20	1550	1	208-240/480	.75/.34	657	CWLE	Shaded Pole	5/16" x 3-5/8"	4-5/16"	3-3/4"	CA2H013,015	

## Emerson (Quiet Kool)



HP	RPM	Speeds	Volts	Amps	Stock Number	Rotation	Capacitor	Shaft Dia. & Length	Motor Dia.	"A" Dim.	Cross Reference	Notes
1/5	1400	3	208-230	1.6	OEK4510	CCWLE	5MFD/370V	3-1/2" x 1/2" x 4"	5"	3-7/8"		
1/3	1400	2	208-230	2.4	OEK4509	CWLE	6MFD/370V	5" x 1/2"	5"	4-1/8"	M15010	



## Evcon



961



OEV1006



OEV6016, OEV1026

HP	RPM	Speeds	Volts	Amps	Stock Number	Rotation	Capacitor	Shaft Dia. & Length	Motor Dia.	"A" Dim.	Cross Reference	Notes
1/50	3300	1	115	0.9	961	CCWLE	Shaded Pole	BLOWER	3-3/8"	3-1/4"	2702-3201A JA1P092	
1/12	1050	1	208-230	.5	OEV1006	CWLE	5.0MFD/370V	1/2" x 2 -3/4"	5"	3-3/8"	F42B53A48 1468-41L	
1/6	1000	1	115	7.8	OEV6016	CCWLE	Shaded Pole	1/2" x 2-1/4"	5"	3-7/8"	322P289 7966-311	
1/4	1050	1	115	6.0	OEV1026	CCWLE	7.5MFD/370V	1/2" x 3"	5"	4-1/8"	322P890 1468-212	

## Fasco



562 (For 265 CFM)

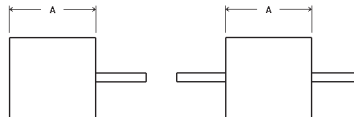


563 (For 460 CFM)

HP	RPM	Speeds	Volts	Amps	Stock Number	Rotation	Capacitor	Shaft Dia. & Length	Motor Dia.	"A" Dim.	Cross Reference	Notes
1/25	1630	1	115	1.6	562	CCWLE	Shaded Pole	5/16" x 1-1/2"	3-3/8"	2-3/4"	B45227	6
1/15	1600	2	115	2.9	563	CWLE	Shaded Pole	5/16" x 2-1/2"	3-3/8"	4-3/8"	B45267	

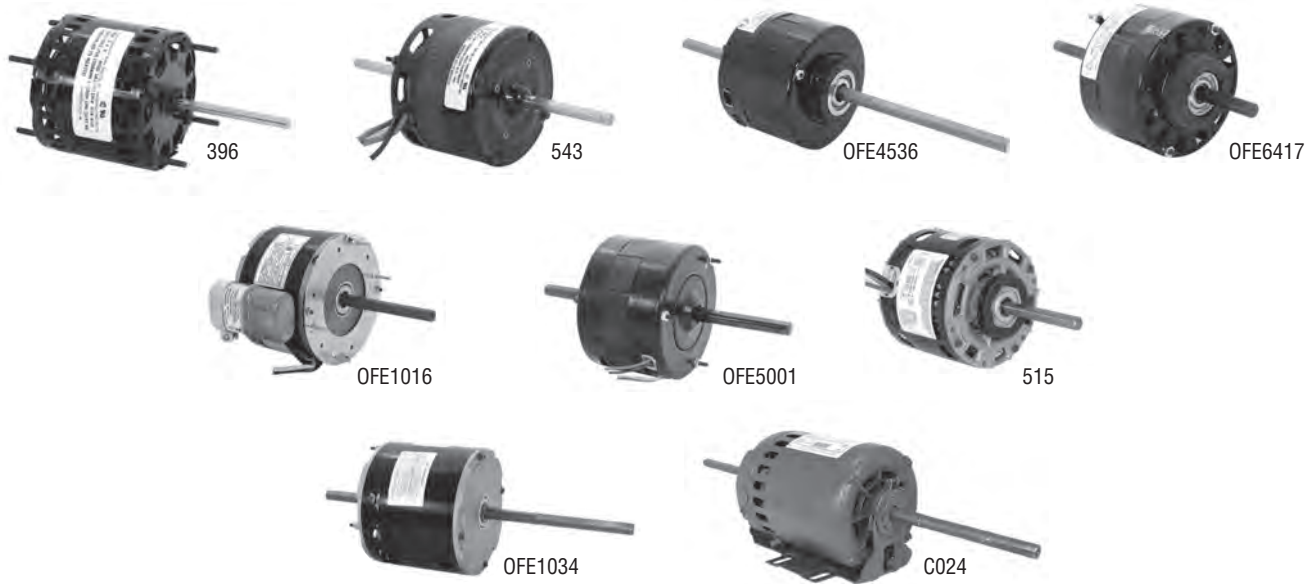
**Note:**

6. 60/50 HZ



# O.E.M. - Direct Replacement

## Fedders



HP	RPM	Speeds	Volts	Amps	Stock Number	Rotation	Capacitor	Shaft Dia. & Length	Motor Dia.	"A" Dim.	Cross Reference	Notes
1/20	1450	1	208-230	1.1	<b>396</b>	CCWLE	Shaded Pole	5/16" x 2-1/2"	3-3/8"	3-1/4"	S196-47-2,-3	4
1/15~1/20~1/25	1550	3	115	2.8-2.0-1.6	<b>543</b>	CCWLE	Shaded Pole	3-1/4" x 3/8" x 3-1/4"	4-5/16"	3-1/4"	S203-51-1,-2,-3,-4	
1/6	1625	3	115	2.0	<b>OFE4536</b>	CCWLE	10MFD/370V	3-5/8" x 1/2" x 6-7/8"	5"	3-5/8"	M15580-3	
1/5	1080	1	230	1.3	<b>OFE1016</b>	CWLE	Included	1/2" x 4-1/4"	5-5/8"	3-7/8"	S196-179-1 S196-HP127-1 S196-KP127-1 S196-66-1, D882 7126-0320	
1/5	1350	2	208-230	1.5	<b>OFE5001</b>	CCWLE	4MFD/370V	3-5/8" x 1/2" x 2-3/4"	5"	3-3/8"	S202-00028-001 11-33-90000-003 F42B11A23	
1/4	1100	1	208-230	1.5	<b>515</b>	CCWLE	5MFD-370V	1/2" x 4"	5"	4-1/4"	S196-18-2	
1/3	1400	3	208-230	2.2	<b>OFE1034</b>	CCWLE	7.5MFD/370V	3-1/4" x 1/2" x 6-1/2"	5-5/8"	4-7/8"	S202-00034-002 F48F32A23 11-28-90000-004	
3/4	1075	1	208-230	6.0	<b>C024</b>	CCWLE	10MFD-370V	7-1/2" x 5/8" x 7-1/2"	6-1/2"	9"	WWG 3M825 Johnstone S88-057 S88-422, Marathon X205 Emerson K2328 K63TXMR-1109	

**Notes:**

4. Supplied with lead and plug assembly

**First Co./Summit**



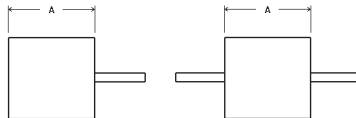
HP	RPM	Speeds	Volts	Amps	Stock Number	Rotation	Capacitor	Shaft Dia. & Length	Motor Dia.	"A" Dim.	Cross Reference	Notes
1/8	1500	2	208-230	1.3	OFC1004	CCWLE	Included	6-3/4 x 1/2 x 6-3/4"	5"	3-5/8"	326P400 M8 746	7
1/6~1/8~1/10~1/12	1550	4	120	5.0-3.3-2.9-2.4	745	CCWLE	Shaded Pole	7-5/8 x 1/2 x 7-5/8"	5"	4-1/4"	M3	7
1/6~1/8~1/10~1/12	1550	4	120	3.7-1.9-1.7-1.4	748	CCWLE	Included	8-1/8 x 1/2 x 8-1/8"	5"	3-1/2"	M25	7
1/5	1550	3	208-230	1.9	DCA4522	CCWLE	Included	6-5/8 x 1/2 x 6-5/8"	5"	3-7/8"	2984 5KCP29FK6552S 5KCP29FK630S 5KSP29HK1672S	7
1/4	1625	2	208-230	1.8	OFC1024	CCWLE	Included	7-5/8 x 1/2 x 7-3/4"	5"	3-9/16"	326P451 M10 747 D258	7
1/4~1/8	1625	2	208-230	2.0-.80	747	CCWLE	Included	7-3/4 x 1/2 x 7-3/4"	5"	3-3/4"	M10	7

**Foster, Vulcan-Hart**



HP	RPM	Speeds	Volts	Amps	Stock Number	Rotation	Capacitor	Shaft Dia. & Length	Motor Dia.	"A" Dim.	Cross Reference	Notes
1/75	1650	1	115	.50	683	CCWLE	Shaded Pole	1/4"-20 THD	3-3/8"	2"	R10CW68M, ME	

Note:  
7. Resilient mounting rings included



# O.E.M. - Direct Replacement

## Friedrich



OFR1016



OFR1036

HP	RPM	Speeds	Volts	Amps	Stock Number	Rotation	Capacitor	Shaft Dia. & Length	Motor Dia.	"A" Dim.	Cross Reference	Notes
1/6	1075	5	230	.8	<b>OFR1016</b>	CCWLE	4MFD/370V	2-1/2"x1/2"x3-3/8"	5-5/8"	4-1/16"	D867 323P225	36,256
1/3	1075	5	230	1.8	<b>OFR1036</b>	CCWLE	5MFD/370V	2-1/2"x1/2"x2-5/8"	5-5/8"	4-7/8"	3002 5KCP39MG9096S 5KCP39MG9579S 5KCP39MG71455 5KCP39LGG7205 K4340 D868	36,256

\*5KCP39MG9096S, 5KCP39KGE992S, 5KCP39LG804S, 5KCP39LGG720S, 5KCP39LGK010T, 5KCP39MG7145S, 5KCP39MG9679S, 5KCP39LGM011T

## Gibson/Kelvinator



377



399A



524



9648

HP	RPM	Speeds	Volts	Amps	Stock Number	Rotation	Capacitor	Shaft Dia. & Length	Motor Dia.	"A" Dim.	Cross Reference	Notes
1/15~1/25~1/30	1550	3	115	2.7-1.9-1.6	<b>377</b>	CWLE	Shaded Pole	6-3/8" x 5/16" x 6-3/8"	3-3/8"	3-3/8"		105
1/3~1/4~1/5	1365	3	230	2.7-2.0-1.6	<b>399A</b>	CCWLE	5MFD-370V	7-3/4" x 1/2" x 7-1/2"	5-5/8"	4-1/2"	RAK7024	
1/3	1300	4	230	3.2	<b>9648</b>	CCWLE	5MFD-370V	2" x 1/2" x 4-1/8"	5-5/8"	4-5/8"	RAK7091	6,36,256

## Goodman/Janitrol



OGD1016, OGD1026

HP	RPM	Speeds	Volts	Amps	Stock Number	Rotation	Capacitor	Shaft Dia. & Length	Motor Dia.	"A" Dim.	Cross Reference	Notes
1/6	1075	1	208-230	1.0	<b>OGD1016</b>	CCWLE	5MFD/370V	1/2" x 3-3/4"	5-5/8"	3-7/8"	B13400-251 4M287 F48F96A76 F48A90A76 3216	201,278
1/4	1075	1	208-230	1.5	<b>OGD1026</b>	CCWLE	5MFD/370V	1/2" x 3-1/4"	5-5/8"	4-1/4"	B13400-247 F48A91A76 3218 F48F97A76	201,277

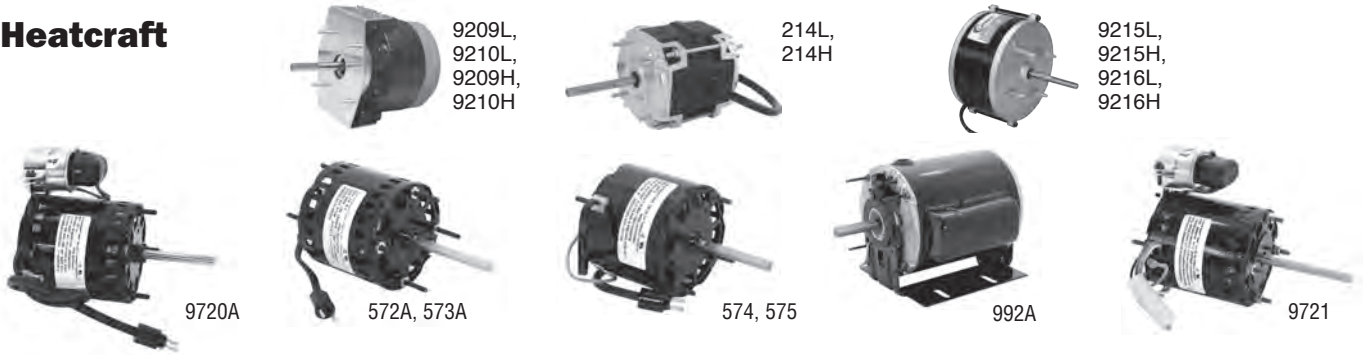
### Notes:

6. 60/50 HZ  
36. Lug mount  
105. Use with 1805A or 2099A bracket

201. Four studs on a 5.15" diameter bolt circle  
256. 7-3/8" diameter bolt circle  
277. 47" leads

278. 40" leads 256. 7-3/8" diameter bolt circle

## Heatcraft



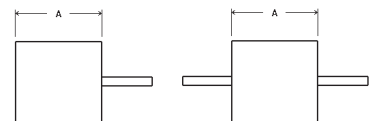
HP	RPM	Speeds	Volts	Amps	Stock Number	Rotation	Capacitor	Shaft Dia. & Length	Motor Dia.	"A" Dim.	Cross Reference	Notes
1/20	1550	1	115	1.9	<b>572A</b>	CCWLE	Shaded Pole	5/16" x 3"	3-3/8"	3"	5034LS, 5008SS	4
1/15	1550	1	208-230	1.3	<b>573A</b>	CCWLE	Shaded Pole	5/16" x 3"	3-3/8"	3-5/8"	5034MS, 5008TS	4
1/20	1550	1	115	1.6	<b>574</b>	CWLE	Shaded Pole	5/16" x 2-5/8"	3-3/8"	2-3/4"	253-1194	4,6
1/20	1550	1	208-230	.90	<b>575</b>	CWLE	Shaded Pole	5/16" x 2-5/8"	3-3/8"	2-3/4"	253-1195	4,6
1/12	1550	1	208-230	0.5	<b>9720A</b>	CWLE	Included	5/16" x 2-5/8"	3-3/8"	3-5/8"	D1125, 7190-0442 7190-2084, 9656 7071061, 25309101	4,6
1/12	1550	1	115/208-230	1.1/0.5	<b>9721</b>	REV	Included	5/16" x 3-1/4"	3-3/8"	3-5/8"	9656, 9664 D1125, PD1125 PD1127 7190-2969 7190-0442 7190-2084 7071061 25309101	2,6,9
1/2	1075	1	208-230	4.2	<b>992A</b>	REV	7.5MFD-370V	1/2" x 2-3/4"	5-5/8"	6-3/4"	GE5KCP39PGH728T JOHNSTONE S88-667 SCS05001H-CPM120-3 FASCO D863	2

HP	RPM	Volts	Amps	Stock No.	ROT OSE	Rear Mounting Holes	"A" Dim.	Cross Reference	Notes
1/15, 1/20, 1/25	1550	115	1.25	<b>9209L</b>	CCW	4 studs SE	3.20	22617801, 22618001 25307801, 25308001	<b>New!</b>
1/15, 1/20, 1/25	1550	115	1.25	<b>9210L</b>	CW	4 studs SE	3.20	22531194	<b>New!</b>
1/15, 1/20, 1/25	1550	230	0.77	<b>9209H</b>	CCW	4 studs SE	3.20	22617701, 22617901 25307701, 25307901	<b>New!</b>
1/15, 1/20, 1/25	1550	230	0.77	<b>9210H</b>	CW	4 studs SE	3.20	2531195	<b>New!</b>
1/15, 1/20, 1/25	1550	115	1.3	<b>9214L</b>	Reversible	4 studs each end	3.58	22617801, 22618001 25307801, 25308001, 2531194	<b>New!</b>
1/15, 1/20, 1/25	1550	208-230	0.63	<b>9214H</b>	Reversible	4 studs each end	3.58	22617701, 22617901 25307701, 25307901, 2531195	<b>New!</b>
1/15, 1/20, 1/25	1625	120	1.2	<b>9215L</b>	CCW	4 studs each end	2.85	22617801, 22618001 25307801, 25308001	<b>New!</b>
1/15, 1/20, 1/25	1625	120	1.2	<b>9216L</b>	CW	4 studs each end	2.85	2531194	<b>New!</b>
1/15, 1/20, 1/25	1625	230	0.7	<b>9215H</b>	CCW	4 studs each end	2.85	22617701, 22617901 25307701, 25307901	<b>New!</b>
1/15, 1/20, 1/25	1625	230	0.7	<b>9216H</b>	CW	4 studs each end	2.85	2531195	<b>New!</b>

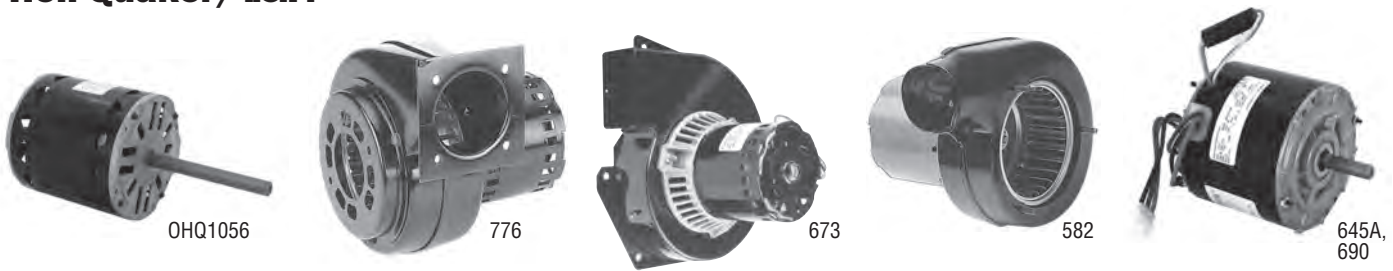
**Notes:**

- 2. Ball bearing
- 4. Supplied with Lead and Plug Assembly
- 6. 60/50 HZ
- 9. Reversing plug



# O.E.M. - Direct Replacement

## Heil-Quaker/ L.C.P.



HP	RPM	Speeds	Volts	Amps	Stock Number	Rotation	Capacitor	Shaft Dia. & Length	Motor Dia.	"A" Dim.	Cross Reference	Notes
1/50	3200	1	230	.40	<b>776</b>	CCWLE	Shaded Pole	BLOWER	3-3/8"	2-3/4"	HQ1050144	
1/50	3000	1	115	1.0	<b>673</b>	CCWLE	Shaded Pole	BLOWER	3-3/8"	2-3/4"	610672	
1/40	3000	1	115/230	1.0-.50	<b>582</b>	CCWLE	Shaded Pole	BLOWER	3-3/8"	2-1/2"	HQ601073UN	2
1/6	1110	1	208-230	1.03	<b>690</b>	REV	5MFD-370V	1/2" x 1-3/4"	5"	4-1/4"	HQ1052662UN	4,9
											**	
1/3	1120	1	208-230	1.2	<b>645A</b>	REV	5MFD-370V	1/2" x 2"	5-5/8"	4-1/4"	HQ1050703 HQ1054573 HQ106494 HE3G296 HE3G341 HE3G394	4,9
1/2	1050	4	115	11.0	<b>OHQ1056</b>	REV	15MFD/370V	5/8" x 5-1/2"	5-5/8"	5-7/8"	KA55FYEPZZ998	131

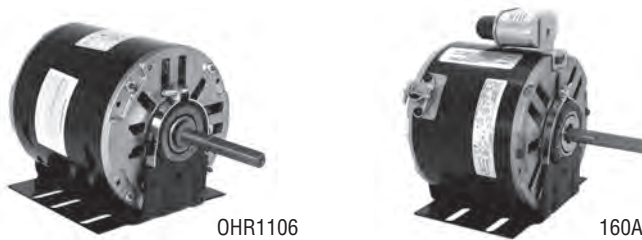
\*\*DE3G125, DE3G825, DE3G104N, HQ1080613, HQ1068865

## Herman Nelson



HP	RPM	Speeds	Volts	Amps	Stock Number	Rotation	Capacitor	Shaft Dia. & Length	Motor Dia.	"A" Dim.	Cross Reference	Notes
1/8	700	1	115	2.1	<b>0547A</b>	CWLE	Included	1/2" x 2-1/8"	5-5/8"	6"	7-150444-02	2,4
											Fasco D827	

## Hill Refrigeration

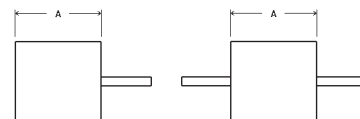


HP	RPM	Speeds	Volts	Amps	Stock Number	Rotation	Capacitor	Shaft Dia. & Length	Motor Dia.	"A" Dim.	Cross Reference	Notes
1/3	1625	1	208-230	3.0	<b>160A</b>	REV	Included	1/2" x 4"	5-5/8"	4-5/8"	*	
1	1075	1	208-230	7.1/6.4	<b>OHR1106</b>	REV	15MFD/370V	1/2" x 3-3/4"	5-5/8"	5-1/2"	**	2,9,242

\*3001 K7232 82001 3M612 M-2-008 F112 D-801 5KCP39KG1369BS K55HCN4370  
 \*\*5KCP39PP19162G 3067 5KCP39PGC910S5KCP39PGC030S

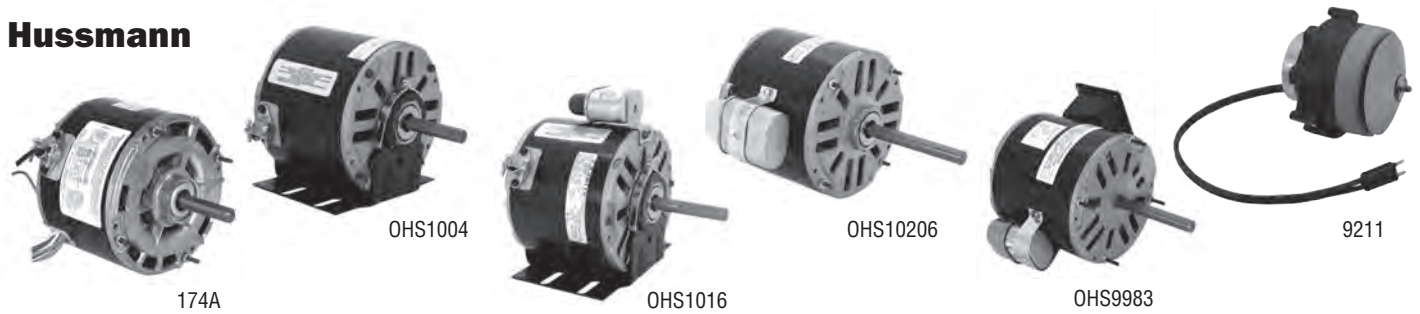
### Notes:

- 2. Ball bearing
- 4. Supplied with lead and plug assembly
- 9. Reversing plug
- 131. Single flat on shaft
- 242. BX connector



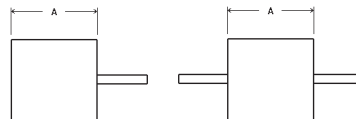


## Hussmann



HP	RPM	Speeds	Volts	Amps	Stock Number	Rotation	Capacitor	Shaft Dia. & Length	Motor Dia.	"A" Dim.	Cross Reference	Notes
1/8	1550	1	230	1.0	OHS1004	CWLE	5MFD-370V	1/2" x 2"	5-5/8"	3-3/4"	3011 5KSP39DG2221S 5KSP39DG4220AS	
1/6	1625	1	208-230	1.0	174A	REV	5MFD-370V	1/2" x 2-1/2"	5-5/8"	4"	S3057	
1/5	1075	1	230	1.6	OHS1016	CWLE	Included	1/2" x 3"	5-5/8"	4-1/4"	3009 5KCP39GG3611AS D805	
1/5	1075	1	208-230	1.3	OHS10206	CWLE	Included	1/2" x 3"	5-5/8"	4-1/8"	1648 K55CLN1782 K55HXKWA8573 3008 3012 5KCP39GG5606S 5KCP39GG765S 5KCP39GGC052T 5KCP39GN765 5KSP39GGA967T P011-96203	2
1/2	1725	1	208-230	2.7	OHS9983	CWLE	Included	1/2" x 3-1/2"	5-5/8"	5-1/8"	0644 644 K644 K055SME164467 K55HXCTP9963 K55XSME-1644 D890 259983	2,6
Watts	RPM	Volts	Amps	Stock No.	ROT OSE	Rear Mounting Holes	"A" Dim.	Notes				
13	1725	115	0.47	9211	CW	5	2.93	New!				

Notes:  
2. Ball bearing  
6. 60/50 HZ



# O.E.M. - Direct Replacement

## Ice Cap



HP	RPM	Speeds	Volts	Amps	Stock Number	Rotation	Capacitor	Shaft Dia. & Length	Motor Dia.	"A" Dim.	Cross Reference	Notes
1/10~1/20~1/35	1695	3	115	.87	638	CWLE	4MFD-370V	6-1/2" x 3/8" x 6-1/2"	5"	3-3/4"	ELB1271 DE2E132, 188 AOS DBL4500	
1/10~1/20~1/35	1500	3	208-230	.7	950	CWLE	4MFD-370V	6-1/2" x 3/8" x 6-1/2"	5"	3-3/4"	ELB1272 5KCP29BK4169S DE2D150	
1/10	1075	1	208-230	0.8	639A	REV	5MFD-370V	1/2" x 2"	5-5/8"	3-1/2"	ELB1085 HE3D066	

## Intertherm



HP	RPM	Speeds	Volts	Amps	Stock Number	Rotation	Capacitor	Shaft Dia. & Length	Motor Dia.	"A" Dim.	Cross Reference	Notes
1/12~1/25	1050	2	115	4.0-1.6	97	CCWLE	Shaded Pole	3/8" x 2-3/4"	4-5/16"	4"	TAC950,1000,1033	4
1/8~1/10	1050	2	115	5.2-3.5	90	CCWLE	Shaded Pole	1/2" x 3-3/4"	5"	3-3/4"	87N069, 094, 099	4

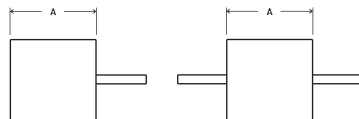
## J & D



HP	RPM	Speeds	Volts	Amps	Stock Number	Rotation	Capacitor	Shaft Dia. & Length	Motor Dia.	"A" Dim.	Cross Reference	Notes
1/2	840	1	115/230	6.1/3.1	969A	CCWLE	Included	5/8" x 2-5/8"	5-5/8"	8-1/4"	HF4U006 D998	118

### Notes:

- 4. Supplied with lead and plug assembly
- 118. TEAO



## Jenn Air



HP	RPM	Speeds	Volts	Amps	Stock Number	Rotation	Capacitor	Shaft Dia. & Length	Motor Dia.	"A" Dim.	Cross Reference	Notes
1/30	1550	1	115	1.0	77	CWSE	Shaded Pole	5/16 x 2	3-3/8"	3-1/4	70CR	2
1/15	1550	1	115	2.1	78	CCWLE	Shaded Pole	3/8 x 2-1/2	4-5/16"	4-1/2	80CR	2
1/15	1550	1	115	2.3	484	CCWSE	Shaded Pole	3/8 x 2-1/2	4-5/16"	3	CA2E120, #7704	
1/10	1550	1	115	2.4	781	CWLE	Shaded Pole	3/8 x 1-3/4	4-5/16"	3-5/8	704759, 205032, CA2F090, CA2F091	

## Jet Spray



HP	RPM	Speeds	Volts	Amps	Stock Number	Rotation	Capacitor	Shaft Dia. & Length	Motor Dia.	"A" Dim.	Cross Reference	Notes
1/150	1550	1	115/230	.37/1.15	688	CWLE	Shaded Pole	5/16" x 1"	3-3/8"	2-7/8"	J1506, 1507	

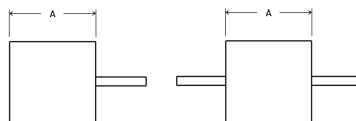
## Johnson Furnace



HP	RPM	Speeds	Volts	Amps	Stock Number	Rotation	Capacitor	Shaft Dia. & Length	Motor Dia.	"A" Dim.	Cross Reference	Notes
1/60	3000	1	208-230	.55	464	CWLE	Shaded Pole	Blower	3-3/8"	6-3/4"	80280	2
1/8	1050	1	115	1.8	153A	CCWLE	5MFD-370V	1/2" x 3"	5-5/8"	4"	8761B	
1/6~1/10	1075	2	208-230	1.0-0.9	493A	CWLE	4MFD-370V	1/2" x 2"	5-5/8"	4"	3699B	

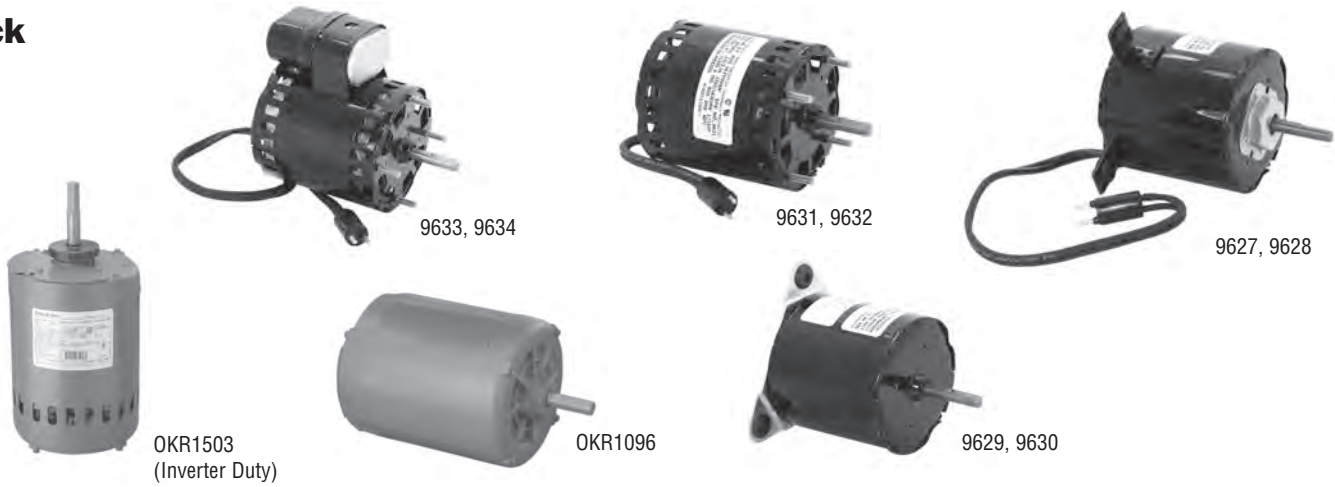
**Notes:**

2. Ball bearing



# O.E.M. - Direct Replacement

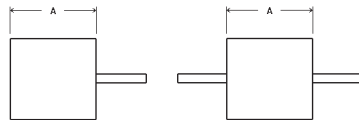
## Krack



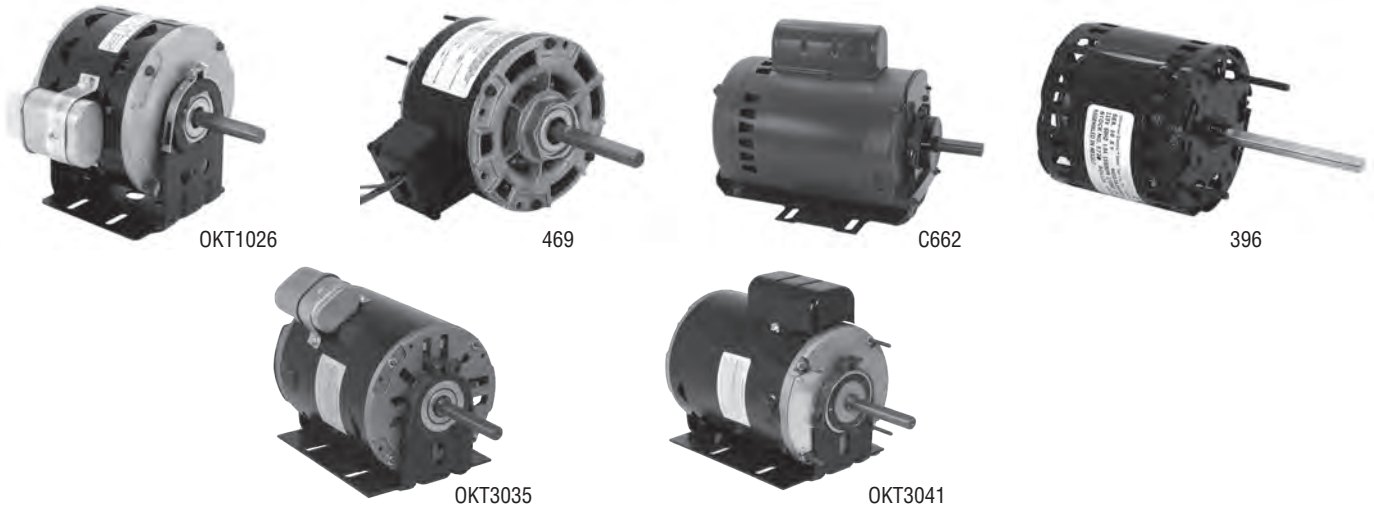
HP	RPM	Speeds	Volts	Amps	Stock Number	Rotation	Capacitor	Shaft Dia. & Length	Motor Dia.	"A" Dim.	Cross Reference	Notes
1/25	1550	1	115	1.3	<b>9627</b>	CCWLE	Shaded Pole	5/16" x 1-3/4"	3-3/8"	3-1/4"	11528 JAZP216	4,6
1/25	1550	1	115	1.3	<b>9629</b>	CCWLE	Shaded Pole	5/16" x 1-3/4"	3-3/8"	3-1/4"	11510 8254110680 JA2P228	6
1/25	1550	1	208-230	0.7	<b>9630</b>	CCWLE	Shaded Pole	5/16" x 1-3/4"	3-3/8"	3-1/4"	11511 8254160150 JA2P229	6
1/20	1550	1	200-230	0.9	<b>9628</b>	CCWLE	Shaded Pole	5/16" x 1-1/2"	3-3/8"	3-1/2"	11529 JA2P217 JA2S149	4
1/15	1630	1	115	2.1	<b>9631</b>	CCWLE	Shaded Pole	5/16" x 1-1/2"	3-3/8"	3-5/8"	E206444 JA2Y031	4,6
1/15	1550	1	208-230	1.2	<b>9632</b>	CCWLE	Shaded Pole	5/16" x 1-1/2"	3-3/8"	3-5/8"	E206445 JA2Y030	4,6
1/15	1640	1	115	0.7	<b>9633</b>	CCWLE	Included	5/16" x 1-1/2"	3-3/8"	3-5/8"	JE2F029 E206447	4,6
1/15	1640	1	208-230	0.3	<b>9634</b>	CCWLE	Included	5/16" x 1-1/2"	3-3/8"	3-5/8"	JE2F030 E206448	4,6
1/2	1140	1	460/208-230	.95/2.0-1.9	<b>OKR1096</b>	REV	3 Phase	5/8" x 2"	6-1/2"	9-1/4"	150372 11096	118
1	850	1	460/200-230	2.0/4.4-4.0	<b>OKR1503</b>	REV	3 Phase	5/8" x 3-1/4"	6-1/2"	10-1/4"	151437 11503	368

**Notes:**

- 4. Supplied with lead and plug assembly
- 6. 60/50 HZ
- 118. TEAO
- 368. Inverter Duty



**Kramer Trenton**

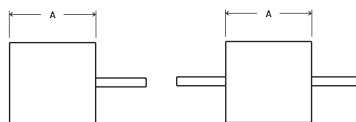


HP	RPM	Speeds	Volts	Amps	Stock Number	Rotation	Capacitor	Shaft Dia. & Length	Motor Dia.	"A" Dim.	Cross Reference	Notes
1/20	1450	1	208/230	1.1	396	CCWLE	Shaded Pole	5/16" x 2-1/2"	3-3/8"	3-1.4"		4
1/12	1050	1	115/230	2.7/1.3	469	CCWLE	Shaded Pole	1/2" x 3-3/8"	5"	3-1/2"	DA3G096 & 097	
1/4	1075	1	115/208	3.0/1.5	OKT1026	CCWLE	Included	1/2" x 2-1/2"	5-5/8"	4-7/8"	3128	2,6
											5KCP35KG144S 5KCP35KG554S 5KCP39KGC100T	
1/3	1075	1	115/208-230	6.3/2.8-3.15	OKT3035	CCWOSE	Included	1/2" x 3-1/2"	5-5/8"	6-9/16"	03035	2
											5KCP35MN34S 5KCP9MGC055T 5KCP36MG1385	
1/2	1075	1	208-230	4.3	OKT3041	CCWOSE	Included	1/2" x 3-1/2"	5-5/8"	7-1/4"	03041	2,184,201
											5KCP37PN244S 5KCP37PG244S 5KCP39PGC054T	
3/4	1075	1	208-230/460	4.3-4.2/2.1	C662	REV	Included	5/8" x 2-1/2"	6-1/2"	10-1/4"	047-104,047-099, 048-004	2

**Notes:**

- 2. Ball bearing
- 4. Supplied with lead and plug assembly
- 6. 60/50 HZ
- 184. Leads exit on shaft end
- 201. Four studs on a 5.16 diameter bolt circle

**Larkin Coil (see Heatcraft)**



# O.E.M. - Direct Replacement

## Lear Siegler



9646

HP	RPM	Speeds	Volts	Amps	Stock Number	Rotation	Capacitor	Shaft Dia. & Length	Motor Dia.	"A" Dim.	Cross Reference	Notes
1/8	1050	1	115	4.2	9646	CCWLE	Shaded Pole	1/2" x 2-7/8"	5"	3-3/4"		

## Lennox



9484



9485



9496



9403



964



OLE1026



442C

HP	RPM	Speeds	Volts	Amps	Stock Number	Rotation	Capacitor	Shaft Dia. & Length	Motor Dia.	"A" Dim.	Cross Reference	Notes
1/15	3400	1	120	0.85	964	CCWLE	3MFD/300VAC	1-5/16" x 1-1/2"	3-3/8"	4-5/8"	44471 JF1F059	
1/15	1050	1	208-230	.6	9484	CWLE	4MFD/370VAC	5/16 x 3/8 x 2-5/8"	4-5/16"	3-3/4"	Lennox P-8-9584	
1/12	1050/875	2	208-230	.8/1.5	9485	CCWLE	4MFD/370VAC	3/8" x 2-1/2"	4-5/16"	3-3/4"	Lennox P-8-9585	
1/10	3000	1	208-230	.55	9496	CCWLE	Included	Blower	3-3/8"	8-3/8"	28G6601, JF1E021	
1/5~1/6~1/8	1075	3	115	6.4-4.8-3.7	9403	CCWLE	Shaded Pole	1/2" x 3"	5"	4"	GE5KSP29KK1542S FASCO D1030 P-8-3789, P-8-3790, P-8-3529. P-8-3527, P-8-9662	
1/6	1075	1	208-230	0.95	442C	REV	5MFD/370V	1/2" x 5-1/2"	5-5/8"	3.74	P-8-3132 K55HXB MJ1121 8053	
1/4	1075	1	230	2.1	OLE1026	CCWLE	4MFD/370V	1/2" x 3-1/2"	5-5/8"	4"	P-8-2702 D814 8054	

**Lennox**



OLE1038,  
OLE1038V1



OLE1036A



OLG1036



OLE1106,  
OLE1106H



9406A



9405A,  
OLE1036H

HP	RPM	Speeds	Volts	Amps	Stock Number	Rotation	Capacitor	Shaft Dia. & Length	Motor Dia.	"A" Dim.	Cross Reference	Notes
1/3	825	1	230	2.8	OLE1038	REV	4MFD/370V	1/2" x 3-7/16"	5-5/8"	5-7/8"	3050 5KCP39PG9701S 5KCP39PG3490S D2817 D2017	
1/3	825	1	230	2.1	OLE1038V1	CCWLE	4MFD/370V	1/2" x 3-1/2"	5-5/8"	5-3/4"	5KCP39NGC119S 5KCP39NGL5715 3501 3591	2
1/3	1075	4	115	6.0	OLE1036A	CCWLE	5MFD/370V	1/2" x 5-1/8"	5-5/8"	4-1/8"	P-8-7505 P-8-9450 41A4201 3082 F48SJ6MA21 F48SL6M7 5KCP39HG9174AS 321P267 K55HXENB-2994	
1/3	1075	1	208-230	2.0	OLG1036	CCWLE	5MFD/370V	1/2" x 3-3/4"	5-5/8"	4-3/8"	3044 5KCP39HGD766T 5KCP39HD9530S K7994 3592 K55FCM3264 P-8-8041	36
1/3	1075	4	208-230	2.6	OLE1036H	CCWLE	7.5MFD/370V	1/2" x 3"	5-5/8"	4-5/8"	5KCP39HG9546S 5KCP39HGK020T 3087 P-8-8609	
3/4~1/2~1/3 1/4~1/5	1075	5	115	9.7-7.7- 6.4-4.7-3.5	9405A	CCWLE	40MFD/370V	1/2" X 3-1/8"	5-5/8"	5-3/8"	28F0101 EM K55HXNNZ7057 GE 5KCP39PGD852AS	2
3/4~1/2~1/3	1075	3	208-230	6.6-3.7-2.5	9406A	CCWLE	10MFD/370V	6-1/2" X 5/8"X5-1/4"	5-3/4"	6-1/4"	31C8201 EM K55HXRYT-818	2
1	1075	1	230	5.0	OLE1106	CCWLE	20MFD/370V	5/8" X 4"	5-5/8"	5-7/8"	88C7401	2
1	1075	1	460	2.9	OLE1106H	CCWLE	15MFD/370V	5/8" X 4"	5-5/8"	6-1/2"	88C7301	2

**Notes:**

- 2. Ball bearing
- 36. Lug mount

# O.E.M. - Direct Replacement

## Liebert



HP	RPM	Speeds	Volts	Amps	Stock Number	Rotation	Capacitor	Shaft Dia. & Length	Motor Dia.	"A" Dim.	Cross Reference	Notes
3/4	1100	1	208-230/460	4.8-4.2/2.1	C663	CCWLE	Included	5/8" x 4"	6-1/2"	10-3/8"	B-095D S89-084*	59,241,266

\* K63HXEFY-4599 K63HXDFK-3912 K63HXEBD-4498 KCP48TG181S KCP49UG192S 8-184787-01

## Lomanco



HP	RPM	Speeds	Volts	Amps	Stock Number	Rotation	Capacitor	Shaft Dia. & Length	Motor Dia.	"A" Dim.	Cross Reference	Notes
1/10	1550	1	115	4.4	OLM6151	CCWLE	Shaded Pole	1/2" x 2"	5"	2-7/8"	322P151	

## Magic Chef



HP	RPM	Speeds	Volts	Amps	Stock Number	Rotation	Capacitor	Shaft Dia. & Length	Motor Dia.	"A" Dim.	Cross Reference	Notes
1/5	1075	1	208-230	1.5	OMC6517	CWLE	5MFD/370V	1/2" x 3-3/8"	5"	4-1/8"	F42B59A01 35035B001	
1/4	1075	1	208-230	1.5	691	CWLE	5MFD/370V	1/2" x 2-3/4"	5"	5-1/4"	322P859 FASCO D1091, 35035B001 CJK 15,18,24,30,36	

## McQuay



HP	RPM	Speeds	Volts	Amps	Stock Number	Rotation	Capacitor	Shaft Dia. & Length	Motor Dia.	"A" Dim.	Cross Reference	Notes
1/15	1550	1	115/230	1.9-9	342	CCWLE	Shaded Pole	5/16" x 2-1/2"	3-3/8"	3-3/4"	BA2H015	
1/15~ 1/25~1/35	1000	3	115	1.5-1.0-8	9400	CCWLE	4MFD/370V	5-5/8" x 3/8" x 5-5/8"	3-3/8"	4-5/8"	FASCO D1141 879-382563B-00	

### Notes:

- 59. Suitable for use with low ambient speed control
- 241. Capacitor and rainshield included
- 266. 50 Hz; 190/380 Volt; 925 RPM



**Mid Continent**



HP	RPM	Speeds	Volts	Amps	Stock Number	Rotation	Capacitor	Shaft Dia. & Length	Motor Dia.	"A" Dim.	Cross Reference	Notes
1/30	3000	1	115	1.1	357	CCWLE	Shaded Pole	1/4" x 1-1/2"	3-3/8"	4-3/4"	JA1M069NV	
1/30	1550	1	115	.97	400	CCWSE	Shaded Pole	5/16" x 3-1/4"	3-3/8"	2-3/4"	AA2P026N	

**Miller**



HP	RPM	Speeds	Volts	Amps	Stock Number	Rotation	Capacitor	Shaft Dia. & Length	Motor Dia.	"A" Dim.	Cross Reference	Notes
1/50	3000	1	115	.77	512A	CWLE	Shaded Pole	Blower	3-3/8"	7-5/8"	303875	2,6
1/40	3000	1	115	.83	335	CWLE	Shaded Pole	5/16" x 1-1/2"	3-3/8"	4-3/4"	301544	
1/7	1050	1	115	5.2	326	CCWLE	Shaded Pole	1/2" x 3-1/4"	5"	3-1/2"	301543	4
1/5	1070	1	115	4.8	689	CCWLE	Shaded Pole	1/2" x 5-3/4"	5"	3-3/4"	305313	

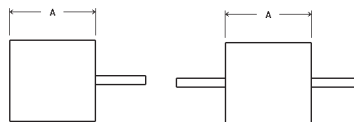
**Miller/LSI/**



HP	RPM	Speeds	Volts	Amps	Stock Number	Rotation	Capacitor	Shaft Dia. & Length	Motor Dia.	"A" Dim.	Cross Reference	Notes
1/7	1050	1	115	4.7	OML6418	CCWLE	Shaded Pole	1/2" x 3-1/2"	5"	3 3/8"	326 D156 3M601 322P260 DA3F053 DA3F623	4
1/5	1050	1	115	4.0	OML6433	CCWLE	Shaded Pole	1/2" x 5-7/8"	5"	3-7/8"		254
1/5	1050	1	115	6.6	OML6435	CCWLE	Shaded Pole	1/2" x 3-5/8"	5"	3-7/8"		304

**Notes:**

- 2. Ball bearing
- 4. Supplied with lead and plug assembly
- 6. 60/50 HZ
- 254. 8.26" bolt circle; .28" diameter mounting holes
- 304. 10.19" bolt circle; .28" diameter mounting holes



# O.E.M. - Direct Replacement

## Nordyne



HP	RPM	Speeds	Volts	Amps	Stock Number	Rotation	Capacitor	Shaft Dia. & Length	Motor Dia.	"A" Dim.	Cross Reference	Notes
1/8	1050	1	115	6.0	<b>ONR6406</b>	CCWLE	Shaded Pole	1/2" x 3-7/8"	5"	3-5/8"	326P113 6208670	304
1/5	1050	1	115	6.5	<b>ONR6026</b>	CCWLE	Shaded Pole	1/2" x 3-3/4"	5"	4-1/8"	326P203 6210810	110
1/5	1050	1	115	6.6	<b>OML6435</b>	CCWLE	Shaded Pole	1/2" x 3-5/8"	5"	3-7/8"		304,332
1/4	1050	1	115	6.2	<b>942</b>	CCWLE	7.5MFD/370V	1/2" x 3-3/4"	5"	4"		
1/40	1500	1	115	.8	<b>9623</b>	CWLE	Shaded Pole	5/16" x 2-1/2"	3-3/8"	5-1/2"	JA2N218 6210806	

## Nutone



HP	RPM	Speeds	Volts	Amps	Stock Number	Rotation	Capacitor	Shaft Dia. & Length	Motor Dia.	"A" Dim.	Cross Reference	Notes
1/100	1550	1	115	.73	<b>692</b>	CCWLE	Shaded Pole	1/4" x 2-1/4"	3-3/8"	2"		4
1/100	1550	1	115	.73	<b>693</b>	CWLE	Shaded Pole	1/4" x 2-1/4"	3-3/8"	2"		4
1/88	1320	1	115	.6	<b>636</b>	CCWLE	Shaded Pole	1/4" x 1-1/4"	3-3/8"	2"	30434	4
1/80	3000	1	115	.55	<b>541</b>	CCWLE	Shaded Pole	1/4" x 2"	3-3/8"	2-1/2"	16653	
1/75	1550	1	115	.6	<b>637</b>	CWLE	Shaded Pole	1/4" x 1-3/16"	3-3/8"	2-1/8"	53581	4
1/70	1550	1	115	.60	<b>509</b>	CWLE	Shaded Pole	1/4" x 1-1/4"	3-3/8"	2-1/8"	23405, 23388	4
1/70	1550	1	115	.60	<b>510</b>	CWLE	Shaded Pole	1/4" x 2-1/4"	3-3/8"	2-1/8"	26750, 26761	4
1/50~1/100	2800	2	115	.65-.44	<b>496</b>	CCWLE	Shaded Pole	1/4" x 1-1/4"	3-3/8"	2-1/2"	26733	
1/10	1550	1	115	3.15	<b>621</b>	CWLE	Shaded Pole	5/16" x 1-1/2"	3-3/8"	3-7/8"	67176, 32997	2

**Notes:**

- 2. Ball bearing
- 4. Supplied with lead and plug assembly
- 110. Two mounting holes in each bracket for a 9" and for a 10.18" bolt circle
- 304. 10.19" bolt circle; .28" diameter mounting holes
- 332. No connector plug, leads only

## PennVent



975, OPV400206



OPV343



OPV346



OPV746



OPV747



OPV748

HP	RPM	Speeds	Volts	Amps	Stock Number	Rotation	Capacitor	Shaft Dia. & Length	Motor Dia.	"A" Dim.	Cross Reference	Notes
1/20	1045	1	115	2.3	975	CCWLE	Shaded Pole	3/8" x 2-1/4"	5"	3"	D1036 (FASCO) S88-916	
1/40	1050	1	115	1.1	OPV400206	CCWLE	Shaded Pole	3/8" x 2-1/4"	5"	3"	D340, Z-6	2,4
1/6	1550		115	2.1/ 1.9/ 1.4	OPV748	CCWLE-CWSE		1/2" x 2-3/5"	5"	4-1/4"	DE2F7088-T 63748-0	
1/12	1300											
1/20	1050											
1/7	1500		115	2.5/ 2.1/ 1.6	OPV747	CCWLE-CWSE		1/2" x 2-1/2"	5"	4-1/4"	DE2F7085-T 63747-0	
1/11	1300											
1/25	1050											
1/12	1550/1300		115	1.5/ 0.9	OPV746	CCWLE-CWSE		1/3" x 3-1/3"	3.3"	3-5/6"	JE2H7057-T 63746-0	
.027	1550/10500		115	1.4/ 0.6	OPV343	CCWLE-CWSE		1/3" x 5-3/4"	3.3"	2-1/4"	JA2M414-T 56343-0	
.075	1550/10500		115	3.6/ 2.5	OPV346	CCWLE-CWSE		1/3" x 5-1/3"	3.3"	4-2/3"	JE2K007-T 56346-0	

## Reznor



990, 991

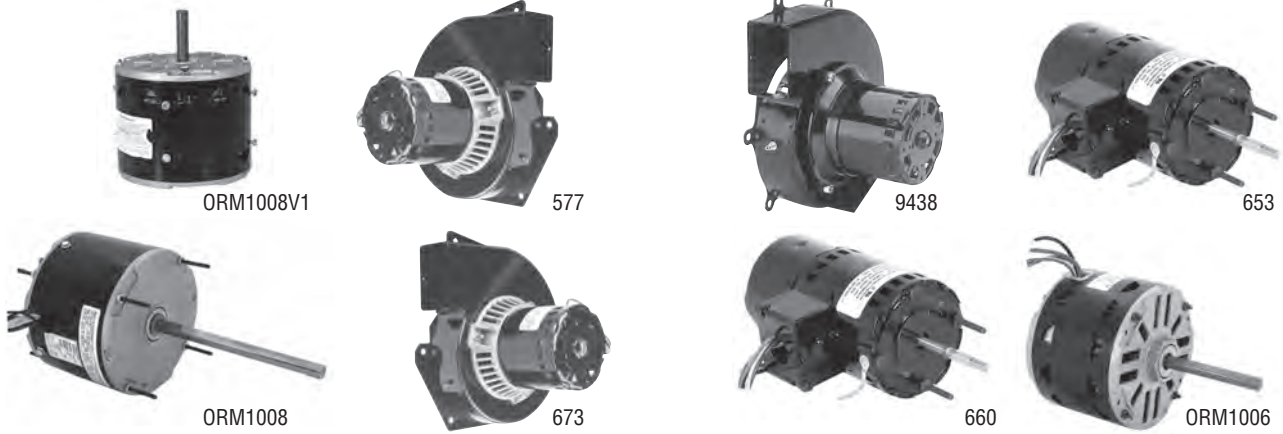
HP	RPM	Speeds	Volts	Amps	Stock Number	Rotation	Capacitor	Shaft Dia. & Length	Motor Dia.	"A" Dim.	Cross Reference	Notes
1/10	3200	1	208-230	.63	990	REV	Included	5/16" x 3-1/4"	3-3/8"	4-3/8"	D404	2,68,239
1/10	3200	1	115	1.5	991	REV	Included	5/16" x 3-1/4"	3-3/8"	4-1/4"	D405	2,68,239

### Notes:

- 2. Ball bearing
- 4. Supplied with lead and plug assembly
- 68. PSC motor
- 239. Capacitor attached

# O.E.M. - Direct Replacement

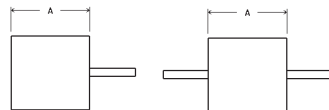
## Rheem-Ruud



HP	RPM	Speeds	Volts	Amps	Stock Number	Rotation	Capacitor	Shaft Dia. & Length	Motor Dia.	"A" Dim.	Cross Reference	Notes
1/50	3000	1	115	1.0	577	CWLE	Shaded Pole	Blower	3-3/8"	5-1/2"	21504-01-04	
1/50	3000	1	115	1.0	673	CCWLE	Shaded Pole	Blower	3-3/8"	2-3/4"	51-21504-01	
1/50	2975	1	115	1.1	9438	CCWLE	Shaded Pole	Blower	3-3/8"	5-3/4"	70-21496-01	190
1/20	3000/3450	1	230/460	1.0/.51	653	CWLE	Shaded Pole	1/4" x 2-1/4"	3-3/8"	6"	JB1R040, 042	2
1/15	3000/3450	1	230/460	1.0/.51	660	CCWLE	Shaded Pole	1/4" x 2-1/4"	3-3/8"	6"	51-42006-03	2,18
1/8	1075	1	230	.73	ORM1006	CCWLE	5MFD/370V	1/2" x 3"	5-5/8"	3-1/2"	51-20671-01 F55HXCWT-1579 3484	
1/8	825	2	208-230	1.4	ORM1008V1	CCWLE	5MFD/370V	1/2" x 2-5/8"	5-5/8"	3-7/8"	51-23101-05	6,42
1/8	825	1	208-230	.7	ORM1008	REV	5MFD/370V	1/2" x 4-13/16"	5-5/8"	4-3/16"	21276-01	40
											21276-02, 20763-01 KA55HXPAM-7253 KA55HXPAM-7255 K55HXMFG68350, K9735 5KCP39GGD121BS	

**Notes:**

- 2. Ball bearing
- 6. 60/50 HZ
- 18. Includes 1/4-5/16" bushing
- 40. Four mounting holes in shell
- 42. Eight mounting holes in shell
- 190. Includes pilot light detector



Continues on next page

**Rheem-Ruud**

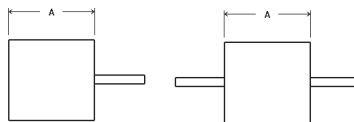


HP	RPM	Speeds	Volts	Amps	Stock Number	Rotation	Capacitor	Shaft Dia. & Length	Motor Dia.	"A" Dim.	Cross Reference	Notes
1/6	825	1	208-230	1.0	629A	REV	5MFD/370V	1/2" x 6"	5-5/8"	4-1/4"	51-20760-11	40
1/6	1075	1	208-230	.80-.95	OCA1016	CCWLE	3MFD/370V	1/2" x 3-5/8"	5-5/8"	3-5/8"	5453, K55JGH-2667	
1/6	1075	1	208-230	.8-.9	ORM1016V1	CCWLE	3MFD/370V	1/2" x 3-3/4"	5-5/8"	3-5/8"	3222 5KCP39BGN253S 5KCP39BGP085S 51-21853-01	40
1/5	1075	2	208-230	1.1	ORM1016	REV	5MFD/370V	1/2" x 5-1/2"	5-5/8"	3-3/4"	20682-01 20673-01, 20675-01 K55HXMBZ06560 K136 8735660130 442, 82673	40
1/5	825	1	208-230	1.4-1.3	795A	REV	see notes	1/2" x 3-5/8"	5-5/8"	4-1/4"	51-23055-12 3153	40,50
1/5	1075	1	208-230	1.4	ORM10206V1	REV	3MFD/370V	1/2" x 4-1/4"	5-5/8"	3-7/8"	5484 KA55HXMPT-6557 51-20672-01, 51-20673-01 51-20674-01, 51-20675-01 51-20679-01, 51-20680-01 51-20681-01, 51-20682-01 51-21826-01, 51-21827-01 51-21828-01, 51-21829-01 51-21830-01, 51-21831-01	40
1/4	1075	1	208-230	1.6	ORM1026	REV	5MFD/370V	1/2" x 5-1/2"	5-5/8"	4"	51-21185-01 51-20761-01 5KCP39FGD117BS 5KCP39GGE879AS 437	40
1/4	1075	3	115	5.8	ORM1026L	CCWLE	10MFD/370V	1/2" x 3"	5-5/8"	4-3/8"	51-20550-01 K1549 KA55HXJYZ-5490	
1/4	825	2	208-230	2.0	ORM1028	CCWLE	7.5MFD/370V	1/2" x 3-3/8"	5-5/8"	4-3/8"	51-23103-06 51-21543-01	42

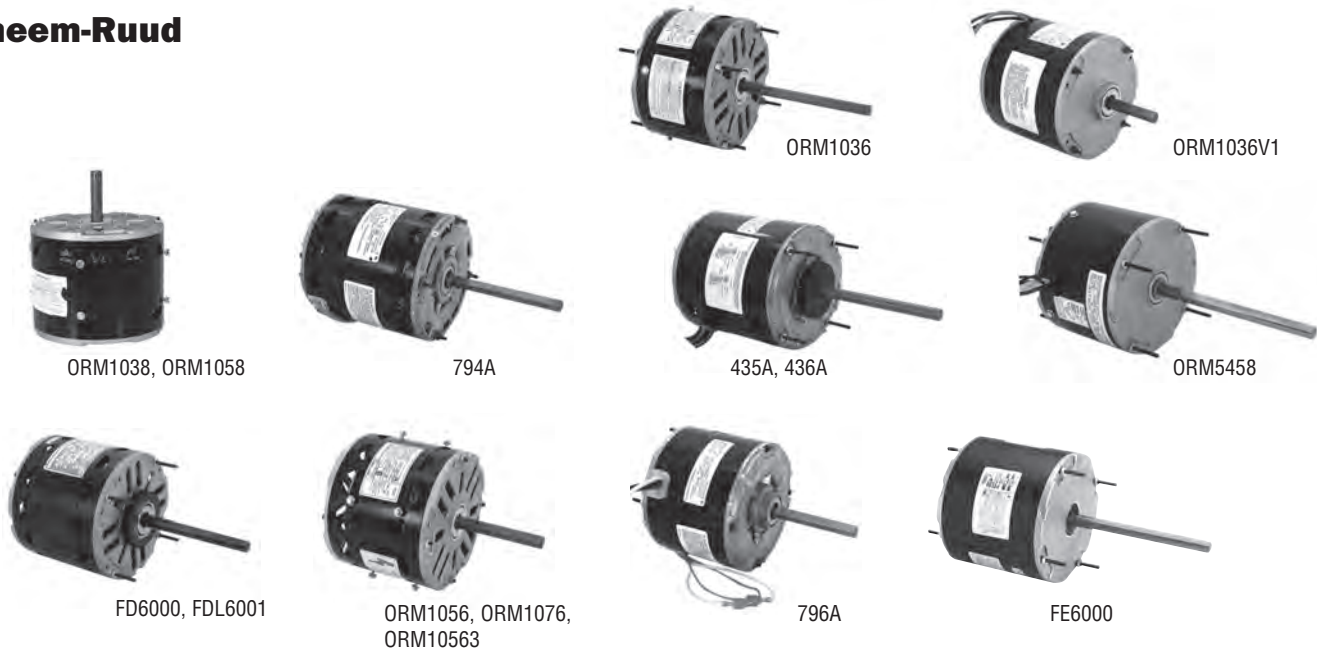
**Notes:**

- 40. Four mounting holes in shell
- 42. Eight mounting holes in shell
- 50. 5MFD/370V @ 230V, 7.5MFD/370V @ 208V

Continues on next page



## Rheem-Ruud



HP	RPM	Speeds	Volts	Amps	Stock Number	Rotation	Capacitor	Shaft Dia. & Length	Motor Dia.	"A" Dim.	Cross Reference	Notes
1/3	1075	1	208-230	2.2	ORM1036	REV	7.5MFD/370V	1/2" x 5-1/2"	5-5/8"	4-3/8"	51-20688-01 87360, 60130	
1/3	1075	1	208-230	1.5-1.8	ORM1036V1	CCWLE	5MFD/370V	1/2" x 3-1/4"	5-5/8"	4-3/8"	51-21189-01 KA55HZRGR-7898	118
1/3	825	2	208-230	2.8	ORM1038	CCWLE	10MFD/370V	1/2" x 2-1/8"	5-5/8"	4-5/8"	51-23103-07	42
1/3	1075	1	460	0.9	796A	REV	5MFD/370V	1/2" x 4-1/8"	5-5/8"	4-5/8"	51-21853-84	40
1/3	1075	1	460	1.0	436A	REV	5MFD/370V	1/2" x 6"	5-5/8"	4-3/4"	51-20468-01	2,7
1/3~1/5	1075	2	208-230	2.8-1.7	FE6000F	REV	7.5MFD/370V	1/2" x 6"	5-5/8"	4-7/8"	51-23053-21	1,2,206
1/3	1075	1	208-230	2.0	ORM5458	REV	7.5MFD/370V	1/2" x 6-5/8"	5-5/8"	4-1/8"	K55HXTDD-8385 5458 51-20668-11 51-23055-11 51-20354-11 51-23053-11	29, 40,280
1/2	1075	4	115	7.0	FDL6001A	REV	10MFD/370V	1/2" x 5"	5-5/8"	4-7/8"	51-23012-41	206
1/2	1075	4	115	5.7	ORM1056	CCWLE	7.5MFD/370V	1/2" x 3-1/2"	5-5/8"	4-5/8"	F48C45A94 51-22873-01	42
1/2	825	1	208-230	3.4	ORM1058	CCWLE	15MFD/370V	1/2" x 3-1/4"	5-5/8"	4-7/8"	51-23103-08 51-23101-08	6,42
1/2	1075	1	460	1.7	435A	REV	7.5MFD/370V	1/2" x 6"	5-5/8"	5-1/8"	51-20470-01	2,7
1/2	1075	3	115	5.9	ORM10563	CCWLE	7.5MFD/370V	1/2" X 3-3/4"	5-5/8"	4-1/2"	51-22686-01	
1/2	1075	4	208-230	3.9	FD6000	REV	10MFD/370V	1/2" x 5"	5-5/8"	4-7/8"	51-23022-41	206
3/4	1075	4	115	10.5	ORM1076	REV	15MFD/370V	1/2" x 5"	5-5/8"	5-5/8"	F48C47A94 51-22859-01	2,42
3/4~1/2~ 1/3~1/4	1075	4	115	11.5-9.0- 6.1-4.2	794A	REV	15MFD/370V	1/2" x 5"	5-5/8"	6"	51-23017-41	42 <b>New!</b>

- Notes:
- Item to be discontinued when stock is depleted
  - Ball bearing
  - 60/50 HZ
  - Resilient mounting rings included
  - Has hex mounting hub on both ends for cradle base mounting
  - 60°C Ambient
  - Four mounting holes in shell
  - Eight mounting holes in shell
  - TEAO
  - For additional information see page 73
  - 4 in 1 Multi-horsepower motor, replaces 1/3-1/4-1/5-1/6 HP

**RV Products**



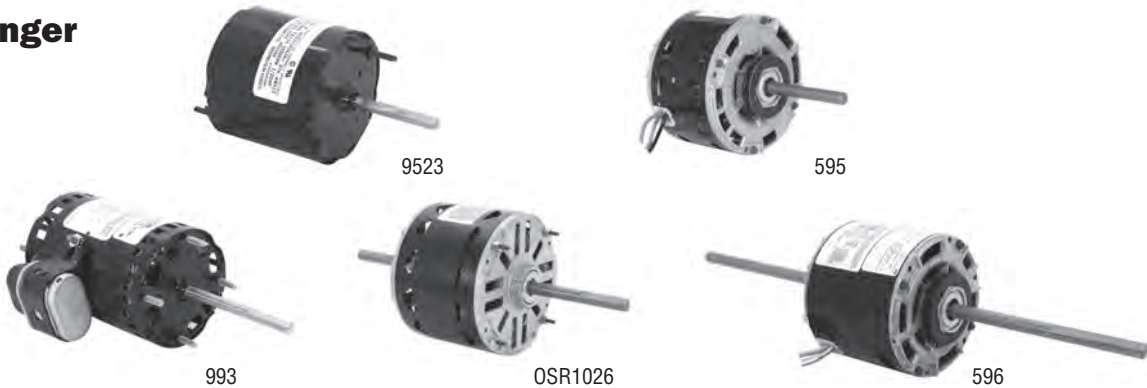
HP	RPM	Speeds	Volts	Amps	Stock Number	Rotation	Capacitor	Shaft Dia. & Length	Motor Dia.	"A" Dim.	Cross Reference	Notes
1/5	1650	3	115	2.5	ORV4540	CCWLE	5MFD/370V	4 x 1/2 x 2-1/2"	5"	3-7/8"	F42C40A61 3105054.005	
1/4	1625	1	115	2.8	ORV4537	CWLE	7.5MFD/370V5-1/2 x 1/2 x 5-1/4"	5"	5"	3-5/8"	6747A311	
1/4	1625	2	115	3.1	ORV4538	CWLE	7.5MFD/370V5-3/4 x 1/2 x 5-3/4"	5"	5"	3-5/8"	6757B311	
1/3	1675	2	115	3.4	ORV4539	CWLE	7.5MFD/370V7-1/8 x 1/2 x 3-1/2"	5"	5"	3-7/8"	F42B50A01 1468A304	

**Schaefer**



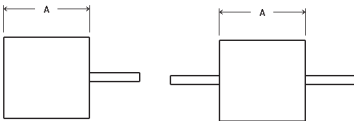
HP	RPM	Speeds	Volts	Amps	Stock Number	Rotation	Capacitor	Shaft Dia. & Length	Motor Dia.	"A" Dim.	Cross Reference	Notes
1/3	1725	1	115/230	3.0/1.5	970A	CCWLE	Included	1/2" x 2-1/2"	5-5/8"	6-3/8"	HF2J031	6
1/2	840	1	115/230	6.1/3.1	969A	CCWLE	Included	5/8" x 2-5/8"	5-5/8"	8-1/4"	HF4U007 CS802	118

**Singer**



HP	RPM	Speeds	Volts	Amps	Stock Number	Rotation	Capacitor	Shaft Dia. & Length	Motor Dia.	"A" Dim.	Cross Reference	Notes
1/25	1550	1	115/230	1.6/0.8	9523	CCWLE	Shaded Pole	5/16" x 2-1/2"	3-3/8"	3-1/8"	Fasco D1164	
1/8~1/12~1/14	1075	3	277	.83-.59-.49	595	REV	5MFD/370V	1/2" x 6-1/2"	5"	3-3/4"	K47HT-605	
1/8~1/12~1/14	1075	3	277	.83-.59-.49	596	CCWLE	5MFD/370V	9" x 1/2" x 9"	5"	3-1/2"	K47HY-605	
1/10	1550	1	230	1.0	993	REV	Included	5/16" x 3-3/4"	3-3/8"	4-7/8"	7071059	
1/4	1025	3	208-230	2.0	OSR1026	CWLE	7.5MFD/370V	4-1/2x1/2x4-1/8"	5-5/8"	4-3/8"	2024246 8745 860190	

**Notes:**  
6. 60/50 HZ  
118. TEAO



# O.E.M. - Direct Replacement

## Sterling Radiator



HP	RPM	Speeds	Volts	Amps	Stock Number	Rotation	Capacitor	Shaft Dia. & Length	Motor Dia.	"A" Dim.	Cross Reference	Notes
1/20	1050	1	115	1.7	978	CCWLE	Shaded Pole	3/8" x 3"	5"	4-1/4"	7151-2951 D242	

## Tecumseh



HP	RPM	Speeds	Volts	Amps	Stock Number	Rotation	Capacitor	Shaft Dia. & Length	Motor Dia.	"A" Dim.	Cross Reference	Notes
1/20	1500	1	230	1.1	OTC6004	CCWSE	Shaded Pole	5/16" x 2-1/2"	5"	3-1/16"	810S037B01 326P137	6
1/15	1550	1	460	.6	981	CCWSE	Shaded Pole	5/16" x 2-1/2"	3-3/8"	4-1/4"	810G037A47 Fasco D475 GE 5KSP11FG1197CS	184
1/15	1500	1	230	1.3	OTC6001	CCWLE	Shaded Pole	5/16" x 2-3/4"	5"	3-1/16"	810S050A99 326P136	6
1/12	1500	1	230	1.3	9487	CCWSE	Shaded Pole	5/16" x 2-1/8"	3-3/8"	4-7/8"	TFM262 810E026A81 EM F33HXDJ-3668	6
1/4	1625	1	230	1.9	OTC1862	CWLE	Included	1/2" x 2-3/4"	5-5/8"	4-3/8"	TFM1862 8330 KA55HXKGD8330	2,6
1/4	1625	1	460		OTC1864	CWLE	Included	1/2" x 2-3/4"	5-5/8"	4-3/8"	TFM1864 8331 KA55HGE8331	2,6

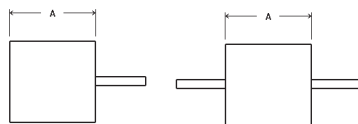
## Thermador (Trade Wind)



HP	RPM	Speeds	Volts	Amps	Stock Number	Rotation	Capacitor	Shaft Dia. & Length	Motor Dia.	"A" Dim.	Cross Reference	Notes
1/25	1550	1	115	2.1	324	CWLE	Shaded Pole	1-7/8" x 5/16" x 1-7/8"	3-3/8"	3"	19-09-215	6
1/15	1550	1	115	3.0	02	CWLE	Shaded Pole	1-7/8" x 5/16" x 2"	3-3/8"	3"	19-09-239	

**Notes:**

- 2. Ball bearing
- 6. 60/50 HZ
- 184. Lead exit is on shaft end



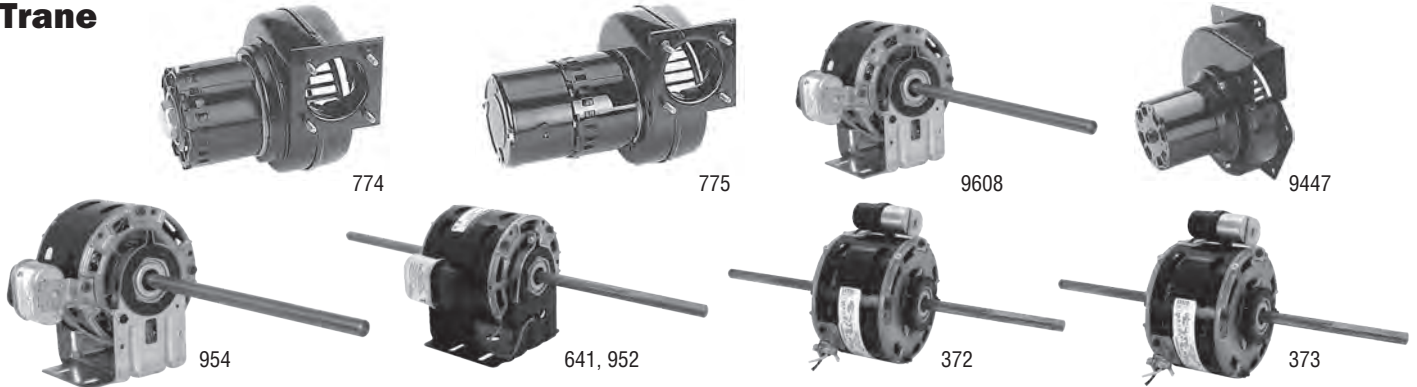


## Titus



HP	RPM	Speeds	Volts	Amps	Stock Number	Rotation	Capacitor	Shaft Dia. & Length	Motor Dia.	"A" Dim.	Cross Reference	Notes
1/2	1075	1	277	2.8	9435V1A	REV	10MFD/370V	1/2" x 4-1/2"	5-5/8"	5"	5KCP39MG692S	79,110

## Trane

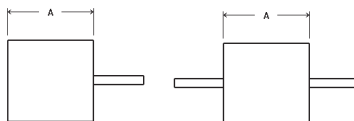


HP	RPM	Speeds	Volts	Amps	Stock Number	Rotation	Capacitor	Shaft Dia. & Length	Motor Dia.	"A" Dim.	Cross Reference	Notes
1/50~1/100	3290	2	115	1.3-.47	773	CWLE	Shaded Pole	1-1/4 x 5/16 x 1-1/8"	3-3/8"	3-3/4"	21C138391P01 BLU040K, BLU050K BLU080K Fasco D1175	1,2
1/50	3000	1	208-240	.42	774	CWLE	Shaded Pole	Blower	3-3/8"	5-1/2"	X38040252-02 Fasco A069	
1/50	3000	1	230	.54	775	CWLE	Shaded Pole	Blower	3-3/8"	7-1/8"	X38050005 Fasco A075	2
1/30~1/150 ~1/200	1100	3	115	.6-.2-.2	954	CWLE	Included	1/2" x 8-1/2"	5"	4"	X70500149-01-7 MOT 1878 MOT-1875 EM K48HXBHY-954	
1/30~1/100 ~1/200	1100	3	115	.74-.31-.22	952	CWLE	Included	8-1/2" x 1/2" x 9"	5"	3-3/4"	EM K48XBJP-969 X70500149-03-7 MOT-1876	
1/30~1/60 ~1/125	1075	3	115	.5-.4-.3	641	CWLE	Included	8-1/2 x 1/2 x 8-1/2"	5"	3-1/2"	X70500133-01 UE DE3E152	
1/30	1100/500	2	115	.60-.64	373	CWLE	Included	10-1/2 x 1/2 x 10-1/2"	5"	4-1/4"	Fan Coil	
1/30	3000	1	208-230	0.6	9447	CWLE	Shaded Pole	Blower	3-3/8"	5-1/2"	7021-7833 FASCO A150	
1/25	1060/500	2	115	.60-.64	372	CWLE	Included	11 x 1/2 x 11"	5"	3-1/2"	Fan Coil	
1/20~1/75 ~1/120	1100	3	115	.60-.30-.23	9608	REV	Included	1/2 x 9-7/8"	5"	3-1/4"	X70500149-02 MOT-1875 EM K48HXBHZ955	

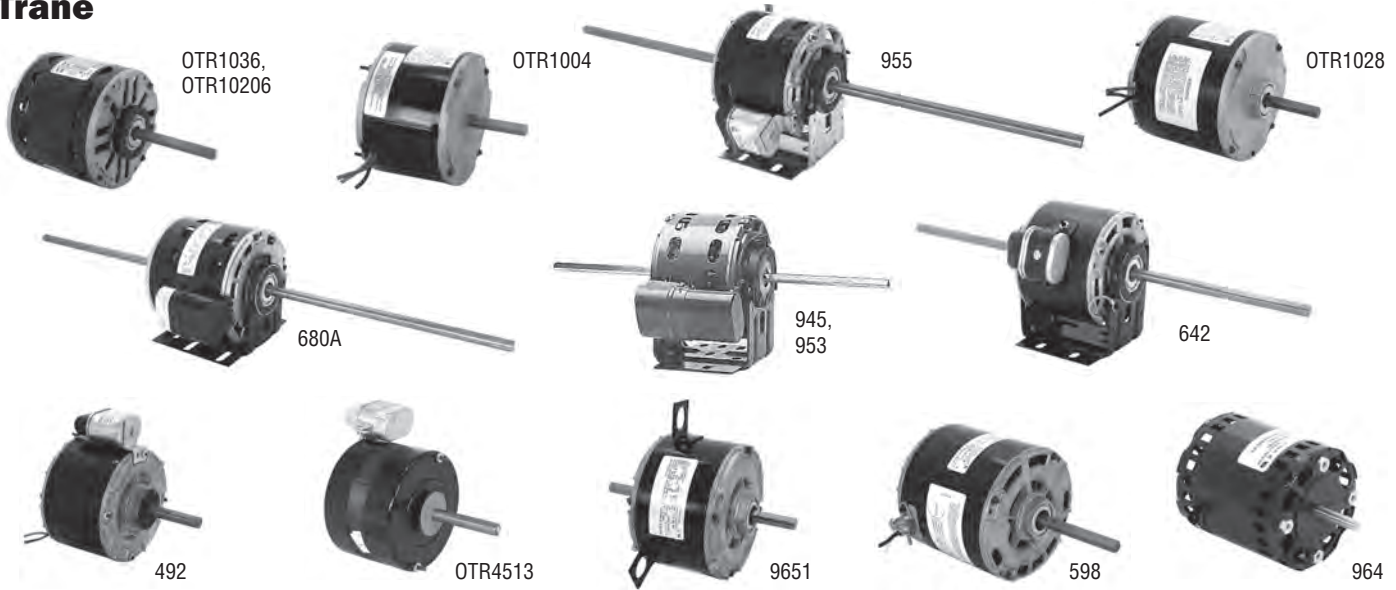
**Notes:**

- Item to be discontinued when stock is depleted
- Ball bearing
- Leadless design
- Two mounting holes in each bracket for a 9" or 10.18" bolt circle

Continues on next page

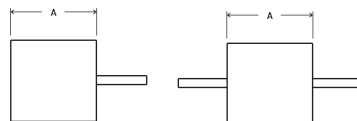


## Trane



HP	RPM	Speeds	Volts	Amps	Stock Number	Rotation	Capacitor	Shaft Dia. & Length	Motor Dia.	"A" Dim.	Cross Reference	Notes
1/15	3400	1	120	0.85	964	CCWLE	3MFD/300V	5/16 x 1-1/2"	3-3/8"	4-5/8"	44471 JF1F059	2
1/15~1/45 ~1/60	1100	3	115	.8-.5-.35	953	CWLE	Included	10-3/4 x 1/2 x 10-7/8"	5"	3-3/4"	X70 500149-04-7 MOT 1877 EM K48HBJA-956	
1/8~1/20 ~1/30	1500	3	115	1.2-.7-.4	945	CWLE	Included	9 x 1/2 x 7-1/2"	5"	4"	X70 500149-11-7 MOT 1978, MOT 481 EM K48HXCKT -1419	
1/8	775	3	115	1.5	680A	CCWLE	Included	11-1/2 x 1/2 x 11-1/2"	5-5/8"	5"	MOT-711	
1/8	1550	1	230	1.9	598	CCWLE	Shaded Pole	1/2 x 3"	5"	4-1/4"	5KSP29DK1728S	193
1/8	1550	1	230	1.1	492	CCWLE	Included	1/2 x 3"	5"	3-1/2"	5KSP29DK1728S	193
1/8	1550	1	208-240	.8-.9	OTR4513	CCWLE	Included	1/2" x 3-1/8"	5"	3-3/8"	D1050 3438 5KSP29DK1728S 322P815	193
1/8	1650	1	200-230	.7-.9	OTR1004	CCWLE	4MFD/370V	1/2 x 1-1/2"	5-5/8"	3-5/8"	3D149098P01 1673 K55DJK-6905	
1/6~1/12 ~1/20	1500	3	115	2.0-1.1-.68	955	CWLE	Included	10-1/2 x 1/2 x 10-1/2"	5"	4"	X70 500149-12-7 MOT-1979 MOT-482 EM K48HXCKS-1418	
1/5~1/6 ~1/8	1075	3	265	1.3-.74-.68	9651	CWLE	4MFD/370V	2-1/2x1/2x2-1/2	5-5/8"	3-7/8"	5KCP39DGK013T 5KCP39EG5967S 3077	36
1/5	1075	4	115	2.3	OTR10206	CCWLE	10MFD/370V	1/2 x 3-1/2"	5-5/8"	4-1/8"	D340086P02	7
1/4~1/8 ~1/20	1475	3	277	1.1-1.0-.7	642	CWLE	Included	8 x 1/2" x 8"	5"	4"	115V UE DE2G101	
1/4	825	1	200-230	1.4-1.5	OTR1028	CCWLE	12.5MFD/370V	1/2 x 2-1/2"	5-5/8"	4-5/8"	3D146983P01 1674 K55DJL-6906	
1/3	1075	4	115	6.8	OTR1036	CCWLE	10MFD/370V	1/2 x 3"	5-5/8"	4-7/8"	D340126P02	

- Notes:  
 2. Ball bearing  
 7. Resilient mounting rings included  
 36. Lug mount  
 193. Includes former GE brand equipment



**Triangle Engineering**



OTEB2054A

HP	RPM	Speeds	Volts	Amps	Stock Number	Rotation	Capacitor	Shaft Dia. & Length	Motor Dia.	"A" Dim.	Cross Reference	Notes
1/2	1725	1	115	8.0	OTEB2054A	CWLE	Split Phase	1/2" x 2-5/8"	6-1/2"	5-3/8"	S56A19A97 S56A33A97 S56A62A97 OTE2054A	

**Tuttle and Bailey**



394

HP	RPM	Speeds	Volts	Amps	Stock Number	Rotation	Capacitor	Shaft Dia. & Length	Motor Dia.	"A" Dim.	Cross Reference	Notes
1/15	1050	1	115	2.2	394	CWSE	Shaded Pole	3/8" x 3"	4-5/16"	5"	CB3J016N	2

**Tyler**



OTY1024

HP	RPM	Speeds	Volts	Amps	Stock Number	Rotation	Capacitor	Shaft Dia. & Length	Motor Dia.	"A" Dim.	Cross Reference	Notes
1/4	1625	1	230	1.9	OTY1024	CCWLE	Included	1/2" x 3"	5-5/8"	4-5/8"	760 D870, 03042 5KCP39EGC053T 5KCP39EG755S 5KCP39EN81S X270	2,7,193,350

**Unilux**



799

HP	RPM	Speeds	Volts	Amps	Stock Number	Rotation	Capacitor	Shaft Dia. & Length	Motor Dia.	"A" Dim.	Cross Reference	Notes
1/8~1/10 ~1/15~ 1/20~1/30	1000	5	115	2.6-2.1-1.8- 1.0-0.7	799	CCWLE	Included	1/2" x 5"	5"	3-3/4"	L350, L450, L600 UE DA3E200 DA3F100, DA3G142	110

**Wagner**



332

HP	RPM	Speeds	Volts	Amps	Stock Number	Rotation	Capacitor	Shaft Dia. & Length	Motor Dia.	"A" Dim.	Cross Reference	Notes
1/20~1/30	1000	2	115	2.2-1.1	332	CCWLE	Shaded Pole	3/8" x 2-7/8"	4-5/16"	4"	42-8869502	14

**Notes:**

- 2. Ball bearing
- 7. Resilient mounting rings included
- 14. Totally enclosed non-ventilated
- 110. Two mounting holes in each bracket for a 9" or 10.18" bolt circle
- 193. Includes former GE brand equipment
- 350. Conduit connector included

# O.E.M. - Direct Replacement

## Weil McLain



658

HP	RPM	Speeds	Volts	Amps	Stock Number	Rotation	Capacitor	Shaft Dia. & Length	Motor Dia.	"A" Dim.	Cross Reference	Notes
1/12	3170	1	115	2.3	658	CCWLE	Shaded Pole	5/16" x 1-3/4"	3-3/8"	4-7/8"	JA1N074	36

## White Westinghouse



OWW4514



OWW4515

HP	RPM	Speeds	Volts	Amps	Stock Number	Rotation	Capacitor	Shaft Dia. & Length	Motor Dia.	"A" Dim.	Cross Reference	Notes
1/4	1330	2	208-230	1.6	OWW4514	CCWLE	5MFD/370V	2-3/4x1/2x1-5/8"	5"	3-3/8"		
1/3	1450	3	208-230	2.5	OWW4515	CCWLE	see notes	5-1/8x1/2x2-1/4"	5"	4-1/8"		258

## Westinghouse

"Halo Mount" Gasket Seals Enclosure



OWW6516



467A



667



RAB1034S

HP	RPM	Speeds	Volts	Amps	Stock Number	Rotation	Capacitor	Shaft Dia. & Length	Motor Dia.	"A" Dim.	Cross Reference	Notes
1/5	1075	1	208-230	1.5	OWW6516	REV	7.5MFD/370V	1/2 x 4-1/4"	5"	3-5/8"		
1/5~1/8~1/10	1625	3	208-230	1.0-.76-.61	467A	CCWLE	5MFD/370V	9-5/8 x 1/2 x 9-5/8"	5"	4"	319P367A	
1/5	1075	1	208-230	1.5	667	REV	7.5MFD/370V	1/2 x 4-1/4"	5"	4"	D262	
1/3	1625	1	208-240	2.4	RAB1034S	CCWLE	Included	7-1/8 x 1/2 x 6-1/2"	5-5/8"	5-7/8"	3122	6 5KCP32GG167S 5KCP32GG210S 5KCP32GG258S 5KCP39GGB907T

## Westinghouse/Whisperaire



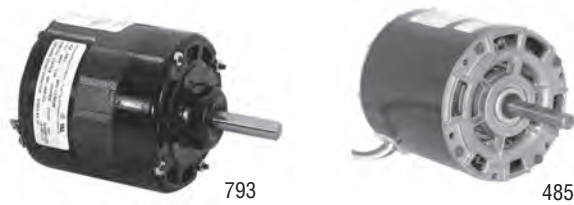
OWW4517

HP	RPM	Speeds	Volts	Amps	Stock Number	Rotation	Capacitor	Shaft Dia. & Length	Motor Dia.	"A" Dim.	Cross Reference	Notes
1/3	1625	1	208-230	2.3	OWW4517	CCWLE	6MFD/370V	7-3/16 x 1/2 x 7-3/16"	5"	4-1/16"		6

### Notes:

6. 60/50 HZ      36. Lug mount      258. 6MFD/370V @ 230V; 8MFD/370V @ 208V

**Whalen Co. (300 CFM Blowers)**



HP	RPM	Speeds	Volts	Amps	Stock Number	Rotation	Capacitor	Shaft Dia. & Length	Motor Dia.	"A" Dim.	Cross Reference	Notes
1/15~1/20~1/40	1060	3	115	1.2-.9-.7	793	REV	6MFD/370V	1/2" x 2-5/16"	4-5/16"	4-1/8"	CE3FO25 & 004597	
1/20~1/35	1050	2	115	.94-.54	485	REV	4MFD/370V	1/2" x 2-3/4"	5"	31/4"	DA3D060 & 061	

**Whirlpool**



HP	RPM	Speeds	Volts	Amps	Stock Number	Rotation	Capacitor	Shaft Dia. & Length	Motor Dia.	"A" Dim.	Cross Reference	Notes
1/60~1/75	1550	2	115	.74-.50	597	CCWLE	Shaded Pole	5/16" x 1-5/16"	3-3/8"	2-1/4"	999765, 998810	14

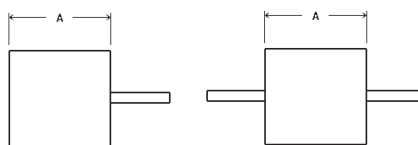
**Whirlpool/Sears**



OWL1006, OWR1036

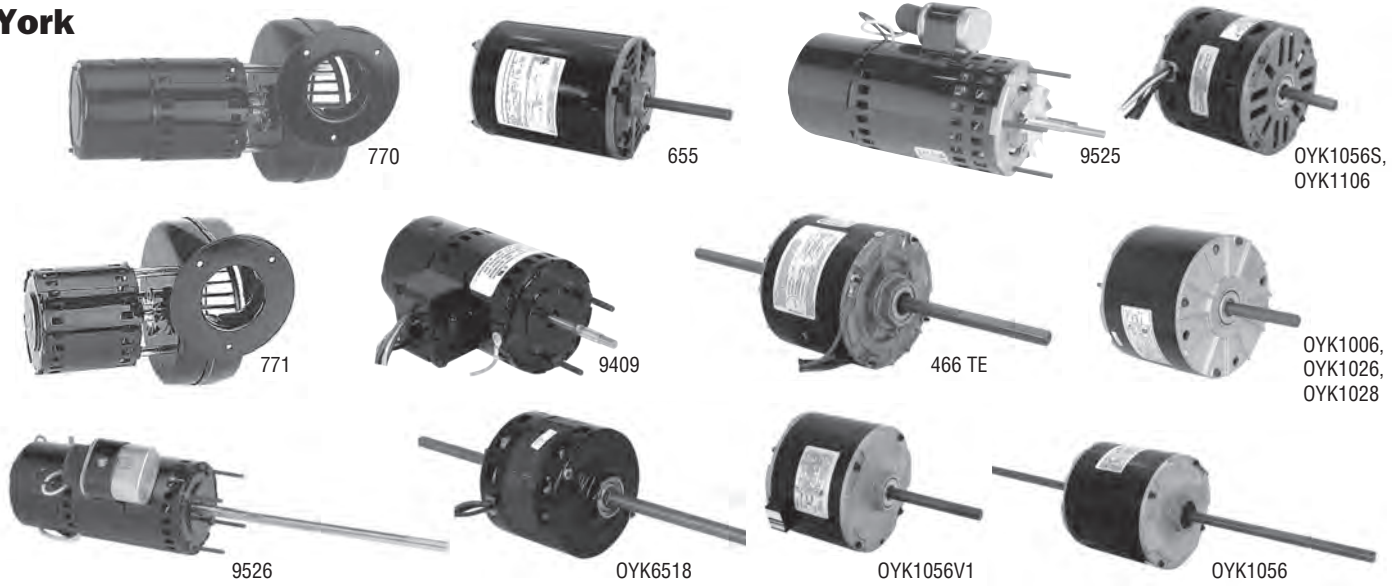
HP	RPM	Speeds	Volts	Amps	Stock Number	Rotation	Capacitor	Shaft Dia. & Length	Motor Dia.	"A" Dim.	Cross Reference	Notes
1/6	1100	3	208-230	.9	OWR1016	CCWLE	5MFD/370V	4-5/16 x 1/2 x 2-3/4"	5-5/8"	3-7/8"	D858 115	
1/3	1100	3	208-230	1.5	OWR1036	CCWLE	5MFD/370V	5-1/4 x 1/2 x 5-1/2"	5-5/8"	4"	L-N-RE120 3078 RAK5108 80109 D859 3060 M-3-120 R181 5KCP39GG8158T 5KCP39GGBA332S	

Notes:  
14. Totally enclosed non-ventilated



# O.E.M. - Direct Replacement

## York



HP	RPM	Speeds	Volts	Amps	Stock Number	Rotation	Capacitor	Shaft Dia. & Length	Motor Dia.	"A" Dim.	Cross Reference	Notes
1/70	3000	1	208-230	.49	770	CWLE	Shaded Pole	BLOWER	3-3/8"	5-1/2"	026-20224700	2
1/70	3000	1	208-230	.49	771	CWLE	Shaded Pole	BLOWER	3-3/8"	3-1/4"	026-22234700	2
1/15	3000	1	460	.7	9409	CWLE	Shaded Pole	1/4" x 2-1/2"	3-3/8"	6-1/8"	Fasco D1171	
1/12	3400	1	460	.3	9525	CWLE	Included	1/4" x 2-1/2"	3-3/8"	7"	024-24115-009	2
1/10	3400	1	460	.36	9526	CWLE	Included	3/8" x 8-3/4"	3-3/8"	7-1/8"	024-25005-002	2
											D1187 7162-3085	
1/8	1075	1	208-230	.8	OYK1006	CWLE	4MFD/370V	1/2" x 1-7/8"	5-5/8"	3-3/4"	F48A85A50 3217 024-25100-000 024-2500-700	
1/5	1075	1	208-230	1.4	OYK6518	CWLE	5MFD/370V	6-3/8 x 1/2 x 6-3/8"	5"	3-7/8"	024-17774 2091 024-20795-700	
1/4~1/8	1075	2	208-230	1.4-1.2	466	CWLE	5MFD/370V	6" x 1/2" x 6"	5"	4-1/4"	MCE24, 30, 36	
1/4	1075	1	208-230	1.3	OYK1026	CWLE	5MFD/370V	1/2" x 3"	5-5/8"	4"	F48A45A50 3223 024-23294-000	
1/4	850	1	208-230	1.4	OYK1028	CWLE	5MFD/370V	1/2" x 3-1/8"	5-5/8"	4-7/16"	F48B46A50 024-25119-000	6
1/2	1100	1	230	4.3	655	CWSE	5MFD/370V	1/2" x 4-1/4"	5-5/8"	7-1/4"	A/C CONDENSER	1,2
1/2	1090	1	208-230	2.2-2.5	OYK1056V1	CWLE	7.5MFD/370V	1/2" X 4"	5-5/8"	4-7/8"	5KCP39LGN418S 024-24110-001 W48A11T388	79
1/2	1110	3	115	9.8	OYK1056S	CCWLE	10MFD/370V	1/2" x 4-1/2"	5-5/8"	5-3/8"	5KCP39NGP941S 024-25113-001	
1/2	1050	1	230	4.3	OYK1056	CWLE	5MFD/370V	9-3/8x1/2x9-3/8"	5-5/8"	5-1/4"	024-17775 024-20797-700	
1	1075	3	115	12.9	OYK1106	CCWLE	15MFD/440V	1/2" X 3-1/2"	5-5/8"	5-7/8"	5KCP39PGN812S 024-23238-000 F48SU6V15	2

### Notes:

1. Item to be discontinued when stock is depleted
2. Ball bearing
6. 60/50 HZ
79. Leadless design

# Split Phase Resilient Base Motors

## Belt Drive and Blower Applications

### Features:

- Class B Insulation
- Continuous Duty
- Reversible
- 60 HZ



800



ARS2020L

**Applications:** Centrifugal Pumps, Blowers, Fans

HP	RPM	Volts	Full Load Amps	Service Factor	Frame	Stock Number	Bearings	Enclosure	Protector	"C" Dim.	"AG" Dim.	Notes
1/12	1140	115	2.69	1.40	48Z	BF20086V1	Ball	ODP	Auto	9.5	7.5	New!
1/8	1140	115	3.3	1.40	48	BF2006L	Ball	ODP	Auto	10.2	8.3	New!
1/8	850	115	4.4	1.40	56	BF2008	Ball	ODP	Auto	11.1	9.1	26
1/6	1725	115	5.1	1.35	48	GF2014	Sleeve	Open	Auto	8.9	7.3	92
1/6	1725	115	4.4	1.35	48	800	Sleeve	ODP	None	9.5	8.0	1
1/6	1725	115	4.3	1.35	48	RS2014L	Sleeve	Open	None	8.9	7.3	
1/6	1725	115	4.1	1.35	48Z	917L	Ball	ODP	None	9.7	7.8	91
1/6	1725	115	5.1	1.35	48Z	RB2014	Ball	Open	Auto	9.3	7.4	274
1/6	1725	115	5.1	1.35	56Z	RS2014	Sleeve	Open	Auto	9.6	7.6	295
1/6	1725	115/208-230	2.8/1.4-1.4	1.00	48Y	ARB2014L	Ball	TEAO	Auto	8.8	7.3	New!
1/6	1725	115/208-230	2.8/1.4-1.4	1.00	48Y	ARB2014L2	Ball	TEAO	None	8.8	7.2	New!
1/6	1140	115	3.8	1.00	56Z	ARB2016M	Sleeve	TEAO	Manual	10.4	8.4	26,141
1/6	1140	115	3.8	1.35	48	815A	Sleeve	ODP	Auto	9.9	8.3	New!
1/6	1140	115	3.6	1.35	48	815V2	Ball	ODP	None	10.2	8.3	New!
1/6	1140	115/208-230	4.0/1.9-2.0	1.00	48	ARB2016SV1	Ball	TEAO	Auto	9.9	8.3	New!
1/6	1140	115/208-230	4.0/1.9-2.0	1.00	48	ARB2016SLV1	Ball	TEAO	None	9.9	8.3	New!
1/4	1725	115	5.5	1.00	48	GF2020L	Sleeve	Open	None	8.9	7.3	
1/4	1725	115	4.2	1.00	48	ARS2020L	Sleeve	TEAO	None	9.4	7.8	
1/4	1725	115	5.4	1.35	48	GF2024	Sleeve	ODP	Auto	9.2	7.5	92
1/4	1725	115	4.6	1.35	48Z	920L	Ball	ODP	Auto	9.7	7.8	91
1/4	1725	115	5.1	1.35	48Z	919L	Ball	ODP	None	9.6	7.6	91
1/4	1725	115	5.0	1.35	48	RB2024	Ball	Open	Auto	9.4	7.8	6
1/4	1725	115	3.1	1.00	48	904L	Ball	TENV	Auto	10.3	8.7	New!
1/4	1725	115	3.3	1.00	56Z	ARB2024ML	Ball	TEAO	Auto	9.7	7.8	26,100
1/4	1725	115	5.4	1.35	56Z	RS2026	Sleeve	Open	Auto	9.2	7.5	307
1/4	1725	115	4.3	1.00	56Z	ARB2024M	Sleeve	TE	Manual	10.1	8.1	26,100
1/4	1725	115/208-230	5.2/2.6	1.35	48	GF2024D	Sleeve	Open	Auto	9.2	7.5	92
1/4	1725	115/208-230	5.2/2.6	1.35	48	BF2024	Ball	Open	Auto	9.2	7.5	92,99
1/4	1725	115/208-230	3.3/1.7-1.7	1.00	48Y	ARB2024L3	Ball	TEAO	Auto	9.4	7.8	26
1/4	1725	115/208-230	3.3/1.7-1.7	1.00	48Y	ARB2024L4	Ball	TEAO	None	9.4	7.8	26
1/4	1140	115	5.0	1.00	56	F341	Ball	TEFC	None	12.6	10.7	
1/4	1140	115	5.7	1.35	56	RB2026L	Ball	Open	None	10.8	8.8	
1/4	1140	115	5.0	1.35	56	F340	Ball	ODP	None	11.1	9.1	
1/4	1140	115	5.6	1.35	56	RB2026	Ball	Open	Auto	10.8	8.8	26
1/4	1140	115/208-230	6.2/2.8-3.1	1.00	48Y	ARB2026SV1	Ball	TEAO	Auto	10.2	8.5	New!
1/4	1140	115/208-230	6.2/2.8-3.1	1.00	48Y	ARB2026SLV1	Ball	TEAO	None	10.2	8.5	New!

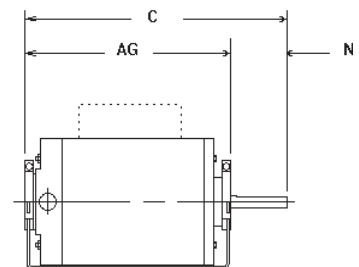
### Notes:

- Item to be discontinued when stock is depleted
- Extended thru bolts, shaft end only
- 5/8" extended thru bolts, 1-7/8" shaft length and 1/2" shaft dia.
- 48/56 FR = 1/2" x 1.5" Shaft with 5/8" shaft adapter - 48/56 slotted 3" height base
- 1/2" extended thru bolts, shaft end
- 1/2" diameter shaft
- Shaft diameter is 1/2", N=1.94 with .04 deep flat
- 48Z = 1/2 flat X 1.88 shaft, with 48 FR base
- 2" shaft length and 1/2" diameter shaft, sleeve and key adapter to 5/8"
- 1/2" shaft, sleeve and key adapter to 5/8" shaft

Continues on next page

### Shaft Dimensions

- 48 = 1/2" Flat x 1-5/8"
- 56 = 5/8" Keyed x 1-7/8"



## Belt Drive and Blower Applications

### Features:

- Class B Insulation
- Continuous Duty
- Resilient Base
- Reversible
- 60 HZ



807L



RB2034L

**Applications:** Centrifugal Pumps, Blowers, Fans

HP	RPM	Volts	Full Load Amps	Service Factor	Frame	Stock Number	Bearings	Enclosure	Protector	"C" Dim.	"AG" Dim.	Notes
1/3	3450	230/115	3.2/6.3	1.35	48Z	F344V1	Ball	ODP	Auto	10.3	7.9	26,341
1/3	1725	115	5.7	1.00	56Z	807L	Sleeve	ODP	Auto	7.3	5.8	260
1/3	1725	115	5.7	1.35	48Z	921L	Ball	ODP	None	10.2	8.3	141
1/3	1725	115	6.2	1.00	56Z	GF2031L	Sleeve	Open	None	9.4	7.8	262
1/3	1725	115	6.8	1.35	48	GF2034	Sleeve	Open	Auto	9.4	7.8	92
1/3	1725	230	3.7	1.35	48/56	GF2038	Sleeve	Open	Auto	9.4	7.8	17,92
1/3	1725	115/230	6.4/3.2	1.35	48/56	GF2034D	Sleeve	Open	Auto	8.9	7.3	17,92
1/3	1725	115/230	6.4/3.2	1.35	48/56	BF2034	Ball	Open	Auto	9.4	7.8	17,92,99
1/3	1725	115	6.0	1.15	48	RS2034L	Sleeve	Open	None	9.4	7.8	
1/3	1725	115	4.4	1.00	48	906L	Ball	TENV	Auto	10.7	9.2	New!
1/3	1725	115	6.0	1.35	48	RB2034	Ball	ODP	Auto	9.4	7.5	
1/3	1725	115	6.6	1.35	48	RB2034L	Ball	Open	None	9.4	7.8	6
1/3	1725	115	6.0	1.35	48Z	922L	Ball	ODP	Auto	10.2	8.3	91
1/3	1725	115/208-230	6.6/3.2-3.3	1.35	56Z	BF2034B	Ball	Open	Auto	10.1	7.7	26,307
1/3	1725	115	4.8	1.00	56Z	ARB2034M	Ball	TE	Manual	11.1	9.1	26,260
1/3	1725	115/208-230	4.9/2.3-2.5	1.00	48	ARB2034L6	Ball	TEAO	Auto	9.8	8.3	26
1/3	1725	115/208-230	5.6/2.8	1.35	56Z	ARB2034L4	Ball	TEAO	None	10.0	8.4	New!
1/3	1725	115/208-230	4.9/2.3-2.5	1.00	48	ARB2034L2	Ball	TEAO	None	9.8	8.3	26
1/3	1725	115/208-230	7.3/3.8-3.8	1.35	56Z	ARB2034L5	Ball	TEAO	Auto	10.0	8.4	New!
1/3	1725	115/208-230	5.9/2.8-2.9	1.35	56Z	ARB2034SV1	Ball	TEAO	Auto	10.0	8.4	1,26,262,307
1/3	1425	220	3.2	1.35	48	GF2035	Sleeve	Open	Auto	9.4	7.8	268
1/3	1140	115/208-230	6.0/3.0-3.0	1.00	56	ARB2036S	Ball	TEAO	Auto	11.4	9.5	26
1/3	1140	115/208-230	6.0/3.0-3.0	1.00	56	ARB2036SL	Ball	TEAO	None	11.4	9.5	26
1/3	1140	115/230	6.2/3.1	1.35	56	RB2036	Ball	ODP	Auto	11.1	9.1	26

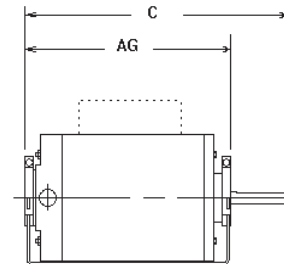
### Notes:

- Item to be discontinued when stock is depleted
- 60/50 HZ
- Suitable for 208 volts @ 1.0 service factor
- Extended thru bolts, shaft end only
- 5/8" extended thru bolts, 1-7/8" shaft length and 1/2" shaft dia.
- 48/56 FR = 1/2" x 1.5" Shaft with 5/8" shaft adapter - 48/56 slotted 3" height base
- 1/2" extended thru bolts, shaft end
- Shaft diameter is 1/2, N=1.94 with .04 deep flat
260. 56Z = 1/2" flatted shaft
262. 56Z = 1/2" flat X 1.62 shaft, with 56 FR. Base
307. 1/2" shaft, sleeve and key adapter to 5/8" shaft
341. 1/2" dia. - shaft 2.25" long

Continues on next page

### Shaft Dimensions

- 48 = 1/2" Flat x 1-5/8"
- 56 = 5/8" Keyed x 1-7/8"





## Belt Drive and Blower Applications

### Features:

- Class B Insulation (except Note 43 = Class A Insulation)
- Continuous Duty
- Reversible
- Single Speed
- 60 Hz (Note 6 = 60/50 Hz)



F678



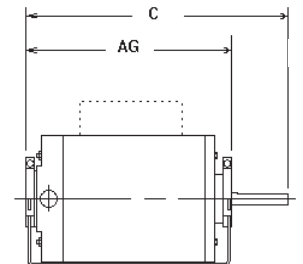
GK2054

**Applications:** Centrifugal Pumps, Blowers, Fans

HP	RPM	Volts	Full Load Amps	Service Factor	Frame	Stock Number	Bearings	Enclosure	Protector	"C" Dim.	"AG" Dim.	Notes
1/2	1725	115	8.0	1.25	48	GF2054	Sleeve	ODP	Auto	9.9	8.3	92
1/2	1725	115	8.1	1.25	56	GK2054	Sleeve	Open	Auto	10.3	8.3	
1/2	1725	115	7.0	1.25	56	F678	Sleeve	ODP	Auto	11.1	9.1	43
1/2	1725	115	7.0	1.25	56	F505	Ball	ODP	Auto	11.1	9.1	83
1/2	1725	115/208-230	8.2/4.1	1.25	48/56	GF2054D	Sleeve	Open	Auto	9.9	8.3	92
1/2	1725	115/208-230	8.2/4.1	1.25	48/56	BF2054	Ball	Open	Auto	9.9	8.3	92,99
1/2	1725	115	7.0	1.00	56	F352	Ball	TEFC	Auto	12.6	10.7	43
1/2	1725	115/230	7.0/3.5	1.00	56	ARS2050DV1	Sleeve	TEAO	Auto	10.8	8.8	New!
1/2	1725	115/230	9.6/4.8	1.25	56	RB2054DV2	Ball	Open	Auto	10.3	8.3	New!
1/2	1725	115	6.8	1.00	56	F671	Sleeve	ODP	None	11.1	9.1	
1/2	1725	115	6.8	1.00	56	F675	Sleeve	ODP	Auto	11.1	9.1	43
1/2	1725	115	7.0	1.00	56	F352V1	Ball	TE	Manual	11.1	9.1	26
1/2	1725	115	6.8	1.00	56Z	F670A	Ball	ODP	Auto	11.19.1		26,141,260
1/2	1725	115/230	9.6/4.8	1.25	56Z	RB2054DV3	Ball	Open	Auto	10.3	8.3	New!
1/2	1725	115/208-230	8.0/3.6-4.0	1.00	56	ARB2054L4	Ball	TEAO	Auto	10.8	8.8	New!
1/2	1725	115/208-230	8.2/4.1	1.25	48Z	BF2054V1	Ball	Open	Auto	10.7	8.3	26,307,341
1/2	1725	115	6.8	1.00	56Z	F670	Ball	ODP	None	11.1	9.1	295
1/2	1140	115/230	9.2/4.6	1.25	56	BF2056D	Ball	ODP	Auto	11.4	9.5	26
3/4	1725	115	12.2	1.25	56	GK2074	Sleeve	Open	Auto	10.8	8.8	
3/4	1725/1425	230/115	5.2/10.4/6.4/12.8	1.25	56	F681	Sleeve	ODP	Auto	11.4	9.5	6
3/4	1725/1425	230/115	5.2/10.4	1.25	56	F680	Ball	ODP	Auto	11.4	9.5	6
3/4	1725	115/208-230	11.0/5.4-5.5	1.00	56	F353	Ball	TEFC	Auto	12.9	10.9	
1	1725	115/230	15.5/7.7	1.25	56	GK2104DV1	Sleeve	Open	Auto	12.3	10.3	6, New!

**Notes:**

- 6. 60/50 Hz
- 26. Extended thru bolts, shaft end only
- 43. Class A insulation
- 83. Extended thru bolts - 5/8"
- 92. 48/56 FR = 1/2" x 1.5" Shaft with 5/8" shaft adapter - 48/56 slotted 3" height base
- 99. 1/2" extended thru bolts, shaft end
- 141. Shaft diameter is 1/2, N=1.94 with .04 deep flat
- 260. 56Z = 1/2 flatted shaft
- 295. 2" shaft length and 1/2" shaft diameter, sleeve and key adapter to 5/8"
- 307. 1/2" shaft, sleeve and key adapter to 5/8" shaft
- 341. 1/2" dia. - shaft 2.25" long



# Split Phase Adjustable Ring Mount Motors

## Quick-Fit™ Motors

### Features:

- Auto Protection
- Class B Insulation
- Open Dripproof
- Reversible
- 60 HZ
- 40°C Ambient



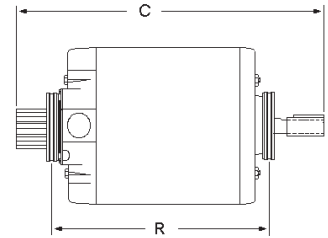
AR2024

**Applications:** Belt drive and blowers.

HP	RPM	Volts	Full Load Amps	Service Factor	Frame	Stock Number	Bearings	Base/ Mounting	Enclosure	"C" Dim.	Approx. "R"	Notes
1/4	1725	115	5.4	1.35	48	AR2024	Sleeve	Resil. Rings	ODP	9.5	7.1 to 8.4	307
1/3	1725	115	6.0	1.35	48	AR2034	Ball	Resil. Rings	ODP	10.6	7.4 to 8.7	307
1/2	1725	115	8.0	1.25	48	AR2054	Sleeve	Resil. Rings	ODP	11.1	7.9 to 9.2	307

### Notes:

307. 1/2" shaft, sleeve and key adapter to 5/8" shaft



# Split Phase Rigid Base Motors

## Features:

- Continuous Duty
- Reversible
- 60 HZ



**Applications:** Centrifugal Pumps, Blowers, Fans

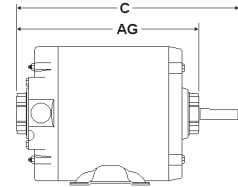
HP	RPM	Volts	Full Load Amps	Service Factor	Frame	Stock Number	Bearings	Enclosure	Insul. Class	Protector	"C" Dim.	"AG" Dim.	Notes
1/6	1725	115	5.1	1.35	48	OS2014LA	Sleeve	Open	B	Auto	8.9	7.3	
1/4	1725	115	5.2	1.35	48	OS2024L	Sleeve	Open	B	None	9.2	7.5	
1/4	1725	115	5.4	1.35	48	OB2024L	Ball	Open	B	None	9.2	7.5	
1/4	1725	115	5.4	1.15	48Z	OB2024	Ball	Open	B	Auto	10.0	7.6	26,341
1/4	1725	115	3.8	1.00	56	F661	Ball	TENV	A	None	11.1	9.1	43
1/3	1725	115	6.2	1.00	56Z	OS2031L	Sleeve	ODP	B	None	9.4	7.8	261
1/3	1725	115	6.1	1.35	48	889A	Ball	Open	B	Auto	9.4	7.8	
1/3	1725	115	5.3	1.15	48Z	889V2	Ball	ODP	B	Auto	10.1	7.8	26,341
1/2	1725	115	8.1	1.15	56Z	OS2050	Ball	Open	B	Auto	10.6	8.2	26,342
3/4	1725	115	9.6	1.00	56Z	OS2074	Ball	Open	B	Auto	11.1	8.7	26,342

## Notes:

26. Extended thru bolts, shaft end only  
 261. 56Z = 1/2" flat x 1-1/2" shaft, 3-1/2" shaft height  
 341. 1/2" dia. - shaft 2.25" long  
 342. 5/8" dia. - shaft 2.37" long

## Shaft Dimensions

- 48 = 1/2" Flat x 1-5/8"  
 56 = 5/8" Keyed x 1-7/8"



# Fan and Blower Motors • Single Phase

## Belted Drive Motors - Resilient Base - 1800/1200 RPM 2 Speed - 2-Winding Variable Torque

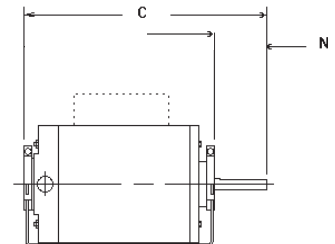
Features: • Reversible • 40°C Ambient • 60 Hz



HP	RPM	Volts	Full Load Amps	Service Factor	Frame	Stock Number	Bearings	Enclosure	Insul. Class	Overload Protector	"C" Dim.	Notes
<b>Split Phase</b>												
1/6~1/18	1725/1140	115	4.4/2.1	1.35	48Z	BGF2014L	Ball	ODP	B	Auto	10.7	26,274, <b>New!</b>
1/4~.07	1725	115	4.4/2.2	1.35	48Z	927L	Ball	ODP	B	Auto	10.7	91, <b>New!</b>
1/4~.07	1725	115	3.7/2.1	1.00	48Z	924L	Ball	ODP	B	None	10.7	91, <b>New!</b>
1/4~1/12	1725/1140	230	2.7/1.3	1.35	48	927AL	Ball	ODP	B	Auto	9.8	<b>New!</b>
1/4~1/12	1725/1140	115	4.4/3.0	1.00	56Z	ARB2024L1	Ball	TEAO	B	Auto	11.0	26,262,307, <b>New!</b>
1/4~1/12	1725/1140	115	4.4/3.0	1.00	56Z	ARB2024L2	Ball	TEAO	B	None	11.0	26,262,307, <b>New!</b>
1/3~1/15	1725/850	115	5.2/3.0	1.00	56Z	SGF2034V3	Ball	ODP	B	Auto	11.1	26,307
1/3~1/11	1725/1140	115	6.6/2.4	1.00	48	925AL	Ball	ODP	B	Auto	10.3	26, <b>New!</b>
1/3~1/11	1725/1140	115	5.0/3.0	1.35	56	F674	Sleeve	ODP	A	Auto	11.1	
1/3~1/11	1725/1140	115	5.0/3.0	1.35	56	F390	Ball	ODP	B	Auto	11.1	26
1/3~1/11	1725/1140	115	6.1/3.1	1.00	48Z	925L	Ball	Open	B	None	10.8	91
1/3~1/10	1725/1140	115	6.7/3.3	1.35	56Z	SGF2034V4	Sleeve	Open	B	Auto	10.0	260, <b>New!</b>
1/3~1/10	1725/1140	115	7.0/3.5	1.35	56	SGK2034V1	Sleeve	Open	B	Auto	10.3	<b>New!</b>
1/3~1/9	1725/1140	115	5.5/4.0	1.00	56Z	ARB2034L1	Ball	TEAO	B	Auto	11.0	26,262,307, <b>New!</b>
1/3~1/9	1725/1140	115	5.6/3.2	1.00	56Z	ARB2034L3	Ball	TEAO	B	None	11.0	26,262,307
1/3~1/8	1725/1140	115	5.0/3.0	1.00	56Z	SGF2034V2	Ball	ODP	B	Auto	11.2	26,260
1/2~.14	1725/1140	115	6.4/3.2	1.25	56	C535	Ball	ODP	B	None	11.4	<b>New!</b>
1/2~.14	1725/1140	115	6.8/4.0	1.25	56	C536	Ball	ODP	B	Auto	11.4	<b>New!</b>
1/2~.14	1725/1140	115	6.8/3.8	1.25	56	F246	Sleeve	ODP	A	Auto	11.4	
1/2~.14	1725/1140	115	6.8/3.0	1.00	56	F387	Ball	ODP	B	None	11.1	26
1/2~.14	1725/1140	115	6.8/3.8	1.25	56	F391	Ball	ODP	B	Auto	11.4	26
1/2~1/6	1725/1140	115	9.9-4.4	1.35	56Z	SGF2054AV2	Sleeve	Open	B	Auto	10.0	260, <b>New!</b>
1/2~1/6	1725/1140	230	5.3/2.4	1.00	56	SGF2054HL	Sleeve	Open	B	Auto	10.4	26, <b>New!</b>
1/2~1/4	1725/1140	115	9.0/6.4	1.15	56	SGK2054V1	Sleeve	Open	B	Auto	10.8	260, <b>New!</b>
1/2~1/4	1725/1140	115	8.2/5.3	1.00	56	ARB2054L1	Ball	TEAO	B	Auto	11.8	26, <b>New!</b>
1/2~1/4	1725/1140	115	8.2/5.3	1.00	56	ARB2054L2	Ball	TEAO	B	None	11.8	26, <b>New!</b>
1/2	1725/1425	115/208-230	8.0/3.6-4.0	1.30	56	ARB2054L3	Ball	TEAO	B	Auto	10.8	26, <b>New!</b>
<b>Capacitor Start</b>												
1/2~.14	1725/1140	115	6.8/4.0	1.25	56	C532	Ball	ODP	B	Auto	11.4	26
1/2~1/4	1725/1140	115	6.8/4.8	1.00	56	C678V1	Sleeve	ODP	A	Auto	11.4	
3/4~.21	1725/1140	115	9.2/4.6	1.00	56	C435	Ball	ODP	B	None	11.4	26
3/4~.21	1725/1140	208-230	5.0-4.6/2.5-2.3	1.00	56	C448	Ball	ODP	B	None	11.4	26
3/4~.21	1725/1140	115	10.0/4.0	1.25	56	C533	Ball	ODP	B	Auto	12.2	26
3/4~.21	1725/1140	115	10.0/4.0	1.25	56	C537	Ball	ODP	B	Auto	12.2	26, <b>New!</b>
3/4~1/4	1725/1140	208-230	5.0-5.0/2.7-2.8	1.25	56	C534V1	Ball	ODP	B	Auto	12.2	26
3/4~1/3	1725/1140	115	10.0/6.4	1.00	56	C741V1	Sleeve	ODP	A	Auto	12.2	
3/4~1/3	1725/1140	230	5.0/3.2	1.00	56	C742V1	Sleeve	ODP	A	Auto	12.2	
1~.28	1725/1140	115	11.9/7.1	1.00	56	C471	Ball	ODP	B	None	12.7	26
1~.28	1725/1160	208-230	6.3-6.0/3.0-3.6	1.00	56	C472	Ball	ODP	B	None	12.7	6,26
1~1/3	1725/1140	115	12.4/7.8	1.15	56	C471A	Ball	ODP	B	Auto	12.7	26
1~1/3	1725/1140	208-230	6.3-6.0/3.3-3.8	1.00	56	C472V1	Ball	ODP	B	Auto	12.7	26
1~1/3	1725/1160	208-230	6.4-6.0/3.4-3.5	1.15	56	C472A	Ball	ODP	B	Auto	12.7	26
1~1/3	1725/1140	115	12.4/7.8	1.15	56	C538	Ball	ODP	B	Auto	12.7	26, <b>New!</b>

**Notes:**

- 6. 60/50 Hz
- 26. Extended thru bolts, shaft end only
- 91. 5/8" extended thru bolts, 1-7/8" shaft length and 1/2" shaft dia.
- 260. 56Z = 1/2" flatted shaft
- 262. 56Z - 1/2" flat x 1.62" shaft, with 56 FR base
- 274. 48Z = 1/2" flat X 1.88" shaft, with 48 FR base
- 307. 1/2" shaft, sleeve and key adapter to 5/8" shaft



## Belted Drive Motors - Resilient Base - 1800/1200 RPM 2 Speed - 2-Winding Variable Torque



H655V1

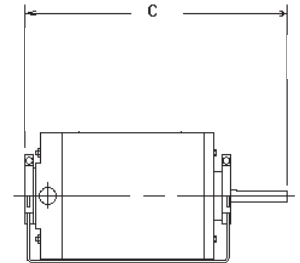
### Features:

- Ball Bearing
- Dripproof
- Reversible
- Three Phase
- Keyed Shaft, 5/8" x 1-7/8"
- 5/8" Extended Thru Bolts
- 60 Hz
- 40°C Ambient

HP	RPM	Speeds	Volts	Full Load Amps	Service Factor	Frame	Stock Number	Enclosure	Insulation Class	Overload Protector	"C" Dim.	Notes
<b>Squirrel Cage</b>												
1/2~.22	1725/1140	2-2-VT	200-230	1.8-1.9/1.1-1.2	1.25	56Y	H655V1	ODP	B	None	11.1	26, New!
1/2~.22	1725/1140	2-2-VT	460	.95/.60	1.25	56Y	H656V1	ODP	B	None	11.1	26, New!
3/4~.33	1725/1140	2-2-VT	200-230	2.5-2.6/1.5-1.6	1.25	56Y	H657V1	ODP	B	None	10.7	26, New!
3/4~.33	1725/1140	2-2-VT	460	1.30/.82	1.25	56	H658V1	ODP	B	None	10.7	26, New!
1.0~.44	1725/1140	2-2-VT	200-230	3.2-3.4/1.8-2.2	1.15	56	H717V1	ODP	B	None	11.1	26, New!
1.0~.44	1725/1140	2-2-VT	460	1.7/1.1	1.15	56Y	H718V1	ODP	B	None	11.1	26, New!

### Notes

26. Extended thru bolts, shaft end only



# 48 & 56 Frame Split Phase Motors

## C-Face Ventilator Motors

### Features:

- Ball Bearing
- Class B Insulation
- Reversible
- Split Phase
- No Base
- 5/8" Dia. Keyed Shaft
- 4, 6, 8 Pole
- 40°C Ambient
- 60 Hz



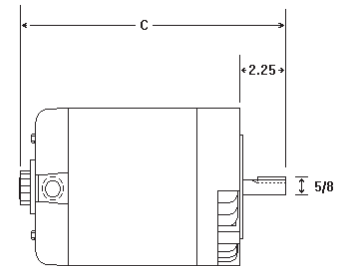
F270

**Applications:** Designed for use on commercial and industrial ventilation systems.

HP	RPM	Volts	Full Load Amps	Service Factor	Frame	Stock Number	Base/ Mounting	Enclosure	Shaft Length	Overload Protector	"C" Dim.	Notes
1/12	850	115	2.6	1.40	56CZ	F395	Round Frame	ODP	2.38"	Auto	11.1	
1/8	1140	115	3.0	1.40	56CZ	F270	Round Frame	ODP	2.25"	Auto	11.3	
1/6	1140	115	3.6	1.35	56CZ	F271	Round Frame	ODP	2.25"	Auto	11.3	
1/4	1725	115	3.1	1.00	48CY	F396L	C Face	TENV	1.91"	None	11.8	New!
1/4	1725	115	5.3	1.35	56CZ	F392	NEMA "C"	ODP	2.25"	Auto	9.9	
1/4	1140	115	5.0	1.35	56CZ	F273	Round Frame	ODP	2.25"	Auto	11.3	
1/4	850	115	6.2	1.35	56CZ	F274	Round Frame	ODP	2.25"	Auto	12.4	
1/4~1/12	1725/1140	115	5.4/3.2	1.35	56CZ	F393	NEMA "C"	Open	2.25"	Auto	11.8	1
1/4~1/12	1725/1140	115	5.4/3.2	1.35	56CZ	F393L	NEMA "C"	ODP	2.25"	Auto	12.2	New!
1/3	1725	115	6.8	1.35	56CZ	F394	NEMA "C"	ODP	2.25"	Auto	10.2	
1/3	850	115	8.6	1.00	56CZ	F276	Round Frame	ODP	2.25"	Auto	12.9	
1/3~1/11	1725/1140	115	5.0/3.0	1.35	56CZ	F252	Round Frame	ODP	2.25"	None	11.3	
1/3~1/11	1725/1140	115	5.4/2.3	1.35	56CZ	F262	Round Frame	ODP	2.25"	Auto	11.3	
1/2~1/7	1725/1140	115	6.8/3.8	1.25	56CZ	F263	Round Frame	ODP	2.25"	Auto	11.6	

### Notes:

1. Item to be discontinued when stock is depleted



# Capacitor Start Resilient Base Motors

## Features:

- High Start Torque
- Open Construction
- Reversible
- 2, 4 and 6 Pole
- 40°C Ambient
- 60 Hz



BK1054



C690

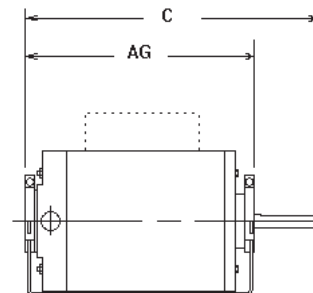
**Applications:** Compressors, pumps, conveyors, milking machines, blowers, fans

HP	RPM	Volts	Full Load Amps	Service Factor	Frame	Stock Number	Bearings	Enclosure	Insul. Class	Overload Protector	"C" Dim	"AG" Dim	Notes
1/4	1725	115/230	5.6/2.8	1.35	48	RS1024A	Sleeve	Open	B	Auto	9.4	7.8	
1/4	1725	115/230	5.0/2.5	1.35	48	C196L	Ball	ODP	B	Auto	9.3	7.8	
1/3	3450	115/208-230	7.6/3.8	1.80	48	BF1032	Ball	ODP	A	Auto	10.2	8.6	55,61,66,78
1/3	3450	115/208-230	6.2/3.4-3.1	1.25	48	B171	Ball	ODP	A	Auto	9.9	8.4	
1/3	1725	115/230	6.4/3.2	1.35	48	RB1034A	Ball	Open	B	Auto	9.4	7.8	6
1/3	1725	115/230	7.70/3.85	1.35	48	C105L	Ball	ODP	B	None	9.8	8.3	
1/3	1725	115/230	7.0/3.5	1.00	48	RS1030A	Sleeve	Open	B	Auto	9.4	7.8	
1/3	1725	115/230	6.2/3.1	1.35	48	RS1035A	Sleeve	ODP	B	Auto	9.9	8.0	6
1/3	1725	115/230	6.4/3.2	1.35	48Z	RS1034A	Sleeve	Open	B	Auto	9.8	7.6	6,273
1/3	1725/1425	115/230	5.2/2.6/6.6/3.3	1.35	56	C309	Ball	ODP	B	Auto	11.1	9.1	6
1/3	1725	115/208-230	6.6/3.0-3.3	1.35	56	C403	Ball	ODP	B	Auto	11.1	9.1	
1/3	1725	115/208-230	6.6/3.0-3.3	1.35	56	C455	Sleeve	ODP	B	Auto	11.1	9.1	
1/3	1725	115/208-230	6.6/3.0-3.3	1.35	56	C226	Ball	Open	B	None	11.1	9.1	
1/3	1140	115/208-230	6.0/3.0-3.0	1.35	56	C231	Sleeve	ODP	B	None	11.4	9.5	
1/2	3450	115/208-230	8.0/3.8-4.0	1.25	56	RB1052L	Ball	ODP	B	Auto	10.4	8.4	
1/2	3450	115/208-230	9.4/4.7-4.7	1.60	48Z	BF1052V1	Ball	ODP	A	Auto	11.3	9.0	26,55,61,66,78,100
1/2	3450	115/208-230	8.0/3.8-4.0	1.25	48Y	B590	Ball	ODP	B	Auto	9.9	8.4	275
1/2	3450	115/208-230	9.4/4.7	1.60	48	BF1052	Ball	ODP	A	Auto	10.6	9.0	55,61,66,78
1/2	3450	115/208-230	9.4/4.7	1.60	56	BK1052	Ball	ODP	A	Auto	10.9	9.0	55,61,66,78
1/2	1725	115/230	8.6/4.3	1.00	48	RS1050A	Sleeve	Open	B	Auto	10.3	8.3	
1/2	1725	115/230	8.6/4.3	1.00	56	RS1051A	Sleeve	Open	B	Auto	10.3	8.3	
1/2	1725/1425	115/230	7.2/3.6/8.9/4.5	1.25	56	C461	Ball	ODP	B	Auto	11.1	9.1	6
1/2	1725/1425	115/230	9.6/4.8	1.25	56	RB1054AV1	Ball	ODP	B	Auto	11.3	9.3	6, New!
1/2	1725/1425	115/230	9.6/4.8	1.25	56	RS1054AV1	Sleeve	Open	B	Auto	11.3	9.3	6, New!
1/2	1725	115/230	8.2/4.1	1.00	56	C690	Sleeve	ODP	A	Auto	11.1	9.1	
1/2	1725	115/208-230	9.0/4.0-4.5	1.25	56	C607	Sleeve	ODP	B	Auto	11.1	9.1	
1/2	1725	115/208-230	9.0/4.0-4.5	1.25	56	C634	Ball	ODP	B	None	11.1	9.1	
1/2	1725	115/208-230	8.8/4.4	1.25	56	BK1054	Ball	ODP	B	Auto	11.6	9.6	55,61,66,78
1/2	1725	115/208-230	9.0/4.0-4.5	1.25	56	C412V1	Ball	ODP	B	Auto	11.1	9.1	26

## Notes:

- 6. 60/50 HZ
  - 26. Extended thru bolts, shaft end only
  - 55. Terminal board
  - 61. Start capacitor inside
  - 66. Sealed switch design
  - 78. Moderate start torque
  - 100. 1/2" diameter shaft
  - 273. 48Z = 5/8" dia x 2" shaft, with 3" height
  - 275. 48-56 Frame mounting —  
3" shaft height, sleeve and key adapter to 5/8" shaft .
- See page 247 for mounting dimensions

Continues on next page



## Shaft Dimensions

- 48 = 1/2" Flat x 1-5/8"
- 56 = 5/8" Keyed x 1-7/8"

# Capacitor Start Resilient Base Motors

Continued from previous page

## Features:

- High Start Torque
- Reversible
- 2, 4 and 6 Pole
- 40°C Ambient
- 60 Hz



BK1072



C692

**Applications:** Compressors, pumps, conveyors, milking machines, blowers, fans

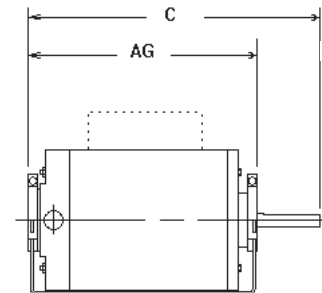
HP	RPM	Volts	Full Load Amps	Service Factor	Frame	Stock Number	Bearings	Enclosure	Insul. Class	Overload Protector	"C" Dim.	"AG" Dim.	Notes
3/4	3450	115/208-230	12.8/6.4	1.50	48	BF1072	Ball	ODP	A	Auto	11.1	9.5	55,61,66,78
3/4	3450	115/208-230	12.8/6.4	1.50	56	BK1072	Ball	ODP	A	Auto	11.4	9.5	55,61,66,78
3/4	3450	208-230/115	4.7-4.6/9.2	1.25	56	B588	Ball	ODP	B	Auto	11.1	9.1	
3/4	3450	115/208-230	10.4/5.3-5.2	1.25	56	B593	Ball	ODP	B	Auto	11.1	9.1	New!
3/4	3450	115/208-230	10.4/5.3-5.2	1.25	56	B594	Ball	ODP	B	None	11.1	9.1	New!
3/4	3450	208-230/115	4.7-4.6/9.2	1.25	56	B642	Sleeve	ODP	A	Auto	11.1	9.1	
3/4	1725	115/208-230	13.0/6.5	1.25	56	RB1074A	Ball	ODP	B	Auto	10.8	8.8	
3/4	1725	115/230	12.0/6.0	1.25	56	RS1074AL	Sleeve	Open	B	Auto	11.8	9.8	6, New!
3/4	1725	115/208-230	10.6/5.3	1.00	56	RS1070AV1	Sleeve	ODP	B	Auto	10.8	8.8	New!
3/4	1725	208-230/115	5.4-5.5/11.0	1.25	56	C666	Ball	ODP	B	None	11.1	9.1	
3/4	1725	208-230/115	5.4-5.5/11.0	1.25	56	C426V1	Ball	ODP	B	Auto	11.1	9.1	26
3/4	1725	208-230/115	5.4-5.5/11.0	1.25	56	C654	Sleeve	ODP	B	Auto	11.1	9.1	
3/4	1725/1425	230/115	4.3/8.6/4.8/9.6	1.25	56	C527	Ball	ODP	B	Auto	12.2	10.3	6
3/4	1725	230/115	5.0/10.0	1.00	56	C691	Sleeve	ODP	A	Auto	11.1	9.1	
3/4	1140	115/230	8.6/4.3	1.15	56	C341	Ball	ODP	B	Auto	13.2	11.3	New!
3/4	1075	115/230	7.3/3.7	1.00	56	C060	Ball	TENV	B	Auto	11.3	9.3	26,68
1	3450	115/208-230	15.4/7.7	1.40	48	BF1102	Ball	ODP	A	Auto	11.6	10.0	55,61,66,78
1	3450	115/208-230	15.4/7.7	1.40	56	BK1102	Ball	ODP	A	Auto	11.9	10.0	55,61,66,78
1	3450	208-230/115	6.6-6.0/12.0	1.25	56	B589	Ball	ODP	B	Auto	11.4	9.5	
1	3450	208-230/115	6.6-6.0/12.0	1.25	56	B703	Ball	ODP	B	None	11.4	9.5	
1	3450	115/208-230	14.4/7.8-7.2	1.25	56	B779	Ball	ODP	B	None	11.4	9.5	New!
1	3450	208-230/115	6.6-6.0/12.0	1.25	56	B701	Sleeve	ODP	A	Auto	11.4	9.5	
1	1725/1425	115/208-230	14.4/6.6-7.2	1.25	56H	RS1104AV1	Sleeve	ODP	B	Auto	11.8	9.8	6, New!
1	1725/1425	115/208-230	14.4/6.6-7.2	1.25	56	RB1104AV1	Ball	Open	B	Auto	11.8	9.8	6, New!
1	1725	208-230/115	6.2-6.3/12.6	1.15	56Z	C523V1	Ball	ODP	B	Auto	11.9	9.5	26,344
1	1725	208-230/115	6.2-6.3/12.6	1.25	56	C524	Ball	ODP	B	None	11.4	9.5	
1	1725	208-230/115	6.2-6.3/12.6	1.25	56	C692	Sleeve	ODP	B	Auto	11.4	9.5	
1	1725	230/115	6.5/13.0	1.00	56	C766	Sleeve	ODP	A	Auto	11.4	9.5	
1	1140	115/230	12.8/6.4	1.15	56	C342	Ball	ODP	B	Auto	13.2	11.3	New!
1	1140	115/230	12.8/6.4	1.15	56	C343	Ball	ODP	B	None	13.2	11.3	New!
1 1/2	3450	208-230/115	8.6-8.0/16.0	1.20	56	B722L	Ball	ODP	B	Auto	12.2	10.3	
1 1/2	3450	115/208-230	18.9/9.1-8.9	1.15	56	B799	Ball	ODP	B	None	12.2	10.3	New!
1 1/2	1725	208-230/115	7.8-7.5/15.0	1.20	56	C621	Ball	ODP	B	Auto	12.7	10.8	5,\$
1 1/2	1725/1425	115/208-230	19.2/9.6	1.20	56H	RB1154AV1	Ball	Open	B	Auto	12.8	10.8	6, New!
2	3450	208-230/115	10.0-9.5/19.0	1.20	56	B837	Ball	ODP	B	None	12.2	10.3	New!
2	1725	115/230	18.0/9.0	1.15	56H	C238	Ball	ODP	B	Auto	14.0	12.0	New!
2	1725	115/230	18.0/9.0	1.15	56	C239	Ball	ODP	B	None	14.0	12.0	New!
2	1725	115/208-230	22.0/11.0	1.15	56H	RB1204AV1	Ball	Open	B	Auto	12.8	10.8	New!

## Notes:

- \$ Energy Efficient
  - 5. \$ Energy Efficient two value capacitor start, capacitor run motor
  - 6. 50/60 HZ
  - 26. Extended thru bolts, shaft end only
  - 55. Terminal board
  - 61. Start capacitor inside
  - 66. Sealed switch design
  - 68. PSC Motor
  - 78. Moderate start torque
  - 344. 5/8" keyed shaft - 2.31" long
- See page 247 for mounting dimensions

## Shaft Dimensions

- 48 = 1/2" Flat x 1-5/8"
- 56 = 5/8" Keyed x 1-7/8"





# Capacitor Start Rigid Base Motors

## Compressors - Pumps - Blowers - Conveyors - Industrial Duty

### Features:

- Capacitor Start
- High Start Torque
- Open Dripproof
- Reversible
- Rigid Base
- 40°C Ambient
- 60 Hz



OB1024



C308

**Applications:** Compressors, pumps, conveyors, milking machines, blowers, fans

### ODP, RIGID BASE, SINGLE PHASE CAPACITOR START

HP	RPM	Volts	Full Load Amps	Service Factor	Frame	Stock Number	Bearings	Insul. Class	Overload Protector	"C" Dim.	"AG" Dim.	Notes
1/4	1725	115/208-230	5.8/2.9	1.35	48	OB1024	Ball	B	None	9.4	7.8	6
1/4	1725	115/230	5.0/2.5	1.35	48	C157L	Ball	B	Auto	9.3	7.8	
1/4	1725	115/208-230	5.2/2.2-2.6	1.35	56	C199	Ball	B	Auto	10.1	8.1	
1/4	1140	115/208-230	5.0/2.4-2.5	1.35	56	C202	Ball	B	Auto	11.1	9.1	
1/3	1725	115/230	7.70/3.85	1.35	48	C102L	Ball	B	Auto	9.8	8.3	
1/3	1725	115/230	7.70/3.85	1.35	48	C109L	Ball	B	None	9.8	8.3	
1/3	1725/1425	115/230	5.2/2.6//6.6/3.3	1.35	56	C308	Ball	B	Auto	11.1	9.1	6
1/3	1725	115/208-230	6.6/3.0-3.3	1.35	56	C222	Ball	B	Auto	11.1	9.1	
1/3	1725	115/208-230	6.6/3.0-3.3	1.35	56	C457	Ball	B	None	11.1	9.1	
1/3	1725	115/208-230	6.6/3.0-3.3	1.35	56	C224	Ball	B	Manual	11.1	9.1	
1/2	3450	115/208-230	8.0/3.8-4.0	1.25	48	B172	Ball	B	None	9.9	8.4	
1/2	1725/1425	115/230	7.2/3.6//8.9/4.5	1.25	56	C460	Ball	B	Auto	11.1	9.1	6
1/2	1725	115/230	8.2/4.1	1.00	56	C325	Ball	A	Auto	11.1	9.1	
1/2	1725	115/230	8.2/4.1	1.00	56	C645	Sleeve	A	None	11.1	9.1	
1/2	1725	115/208-230	9.0/4.0-4.5	1.25	56	C630	Ball	B	Auto	11.1	9.1	
1/2	1725	115/208-230	9.0/4.0-4.5	1.25	56	C608	Ball	B	None	11.1	9.1	
1/2	1725	115/208-230	9.0/4.0-4.5	1.25	56	C320	Ball	B	Manual	11.1	9.1	
1/2	1140	115/208-230	8.4/4.0-4.2	1.25	56	C420	Ball	B	None	12.2	10.3	
3/4	1725	208-230/115	5.4-5.5/11.0	1.25	56	C655	Ball	B	None	11.1	9.1	
3/4	1725	208-230/115	5.4-5.5/11.0	1.25	56	C658	Ball	B	Auto	11.1	9.1	
3/4	1725	208-230/115	5.4-5.5/11.0	1.25	56	C323	Ball	B	Manual	11.1	9.1	
3/4	1725/1425	230/115	4.3/8.6//4.8/9.6	1.25	56	C526	Ball	B	Auto	12.2	10.3	6
3/4	1725	230/115	5.0/10.0	1.00	56	C639	Ball	A	None	11.1	9.1	
3/4	1725	230/115	5.0/10.0	1.00	56	C187	Ball	A	Auto	11.1	9.1	
3/4	1140	208-230/115	4.8-5.0/10.0	1.25	56	C324	Ball	B	None	12.2	10.3	5,\$

### Notes:

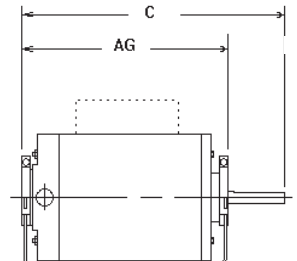
- \$ Energy Efficient
- 5. \$ Energy Efficient two value capacitor start, capacitor run motor
- 6. 50/60 HZ

See page 247 for mounting dimensions

### Shaft Dimensions

48 = 1/2" Flat x 1-5/8"

56 = 5/8" Keyed x 1-7/8"



## Compressors - Pumps - Blowers - Conveyors - Industrial Duty

### Features:

- Capacitor Start
- High Start Torque
- Open Dripproof
- Reversible
- Rigid Base
- 40°C Ambient
- 60 Hz



V304

**Applications:** Compressors, pumps, conveyors, milking machines, blowers, fans

### ODP, RIGID BASE, SINGLE PHASE CAPACITOR START

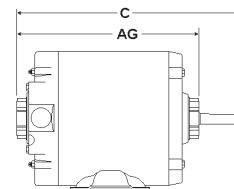
HP	RPM	Volts	Full Load Amps	Service Factor	Frame	Stock Number	Bearings	Insul. Class	Overload Protector	"C" Dim.	"AG" Dim.	Notes
1	3450	208-230/115	6.6-6.0/12.0	1.25	56	B671	Ball	B	None	11.4	9.5	
1	3450	208-230/115	6.6-6.0/12.0	1.25	56	B702	Ball	A	Manual	11.4	9.5	
1	1725/1425	115/208-230	14.4/6.6-7.2	1.25	56H	OB1104AV1	Ball	B	None	12.4	10.4	6, New!
1	1745	115/208-230	14.4/6.6-7.2	1.25	56H	OB1104AV2	Ball	B	Auto	12.3	10.3	New!
1	1725	208-230/115	6.2-6.3/12.6	1.25	56	C695	Ball	B	None	11.4	9.5	
1	1725	208-230/115	6.2-6.3/12.6	1.25	56	C682	Ball	B	Auto	11.4	9.5	
1	1725	208-230/115	6.2-6.3/12.6	1.25	56	C774	Ball	B	Manual	11.4	9.5	
1	1745	208-230/115	7.2-7.5/15.0	1.15	143T	V100	Ball	B	None	13.1	10.8	
1 1/2	1725	208-230/115	7.8-7.5/15.0	1.20	56H	C689	Ball	B	None	12.7	10.8	5,\$
1 1/2	1725	208-230/115	7.8-7.5/15.0	1.20	56H	C688	Ball	B	Auto	12.7	10.8	5,\$
1 1/2	1745	208-230/115	7.8-7.5/15.0	1.20	145T	V101	Ball	B	None	13.8	11.5	5,\$
1 1/2	1725	115/208-230	13.4/7.2-6.7	1.15	56	C775	Ball	B	Manual	12.2	10.3	5,\$
2	3450	208-230/115	10.0-9.5/19.0	1.20	56H	B734	Ball	B	None	12.2	10.3	5,\$
2	3450	208-230/115	10.0-9.5/19.0	1.20	145T	V110	Ball	B	None	13.1	10.8	5,\$
2	3450	115/208-230	17.2/9.2-8.6	1.15	56	B177	Ball	B	Manual	12.7	10.8	1, 85,\$
2	3450	115/208-230	17.2/9.2-8.6	1.15	56	B177L	Ball	B	Manual	12.7	10.8	New!
2	1725	115/230	26.8/13.4	1.15	56H	OB1204AL	Ball	B	Auto	14.2	12.2	376,New!
2	1725	115/230	18.0/9.0	1.15	56H	C210	Ball	B	Manual	14.4	12.5	85,\$
2	1750	115/230	25.0/12.5	1.15	182T	V200	Ball	B	None	12.7	10.9	
2	1745	208-230/115	10.0-10.2/20.4	1.15	145T	V102	Ball	B	None	14.3	12.0	5,\$
3	3500	115/230	32.0/16.0	1.15	182T	V210	Ball	B	None	13.7	10.9	
3	3450	208-230	13.5-12.5	1.15	56H	B178	Ball	B	Manual	12.7	10.8	85,\$
3	3450	230	12.4	1.15	56	B735	Ball	B	None	12.2	10.3	5,\$
3	1750	115/230	34.0/17.0	1.15	184T	V201	Ball	B	None	14.7	11.9	
3	1725	208-230	13.5	1.15	145T	C218	Ball	B	Manual	15.1	12.7	85,\$
3	1725	230	13.5	1.15	145T	C058	Ball	F	Auto	15.1	12.8	5,\$
5	3510	230	25.6	1.15	184T	V211	Ball	B	None	14.7	11.9	
5	1745	230	22.0	1.15	184T	V205M	Ball	F	None	14.3	11.5	5,80,\$
5	1745	230	22.0	1.15	184T	V209	Ball	F	None	15.0	12.2	5,\$
5	1750	230/460	25.0/12.5	1.15	213T	V304	Ball	B	None	15.8	12.3	5,80,\$
7 1/2	3500	230	39.0	1.15	213T	V310	Ball	B	None	15.8	12.3	
7 1/2	1750	230/460	32.0/16.0	1.15	215T	V305	Ball	B	None	17.3	13.8	5,80,\$
10	3500	230	42.0	1.15	215T	V311	Ball	B	None	17.3	13.8	5,80,\$
10	1750	230/460	38.0/19.0	1.15	215T	V303	Ball	F	None	17.9	14.3	5,80,\$

### Notes:

- \$ Energy Efficient
  - 1. Item to be discontinued when stock is depleted
  - 6. 60/50 HZ
  - 5. \$ Energy Efficient two value capacitor start, capacitor run motor
  - 80. Large capacitor/terminal box construction
  - 85. Energy Efficient \$- capacitor start/run
  - 376. Open, fan cooled
- See page 247 for mounting dimensions

### Shaft Dimensions

- 48 = 1/2" Flat x 1-5/8"
- 56 = 5/8" Keyed x 1-7/8"
- 56H = 5/8" Keyed x 1-7/8"
- 143T/145T = 7/8" Keyed x 2-1/4"
- 182T/184T = 1-1/8" Keyed x 2-7/8"
- 213T/215T = 1-3/8" x 3-1/2"



# NEMA "C" Face • General Purpose Industrial Motors

## Single Phase - Capacitor Start - Dripproof - No Base & Rigid Base Keyed Shaft - 1/4 thru 5 HP



### Features:

- Ball Bearing
- Class B Insulation
- Reversible
- 40°C Ambient
- 60 Hz

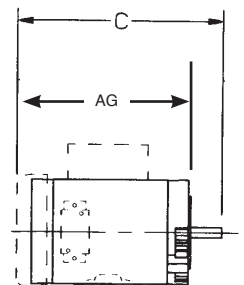
### Applications:

Designed for industrial and commercial pumps, speed reducers and other equipment that mounts directly on a NEMA "C" Face type motor.

HP	RPM	Volts	Full Load Amps	Service Factor	Frame	Stock Number	Base/ Mounting	Enclosure	Overload Protector	"C" Dim.	"AG" Dim.	Notes
<b>NO BASE</b>												
1/4	1725	115/230	5.4/2.7	1.35	56C	K1024LD	NEMA C	Open	None	9.6	7.5	62
1/3	1725	115/230	6.8/3.4	1.50	56C	K1034LV1	C-Flange	ODP	None	10.6	8.5	New!
1/2	1725	115/208-230	7.2/3.5-3.6	1.25	56C	C315	Round Frame	ODP	None	11.1	9.0	
1/2	1725	115/208-230	7.2/3.5-3.6	1.25	56C	C635	Round Frame	ODP	Auto	11.1	9.0	
3/4	1725	208-230/115	5.2-5.3/10.6	1.25	56C	C316	Round Frame	ODP	None	11.4	9.4	
3/4	1725	208-230/115	5.2-5.3/10.6	1.25	56C	C665	Round Frame	ODP	Auto	11.4	9.4	
1	1725	208-230/115	7.2-6.5/13.0	1.25	56C	C445	Round Frame	ODP	None	12.2	10.1	
1 1/2	1725	208-230/115	7.8-7.5/15.0	1.20	56C	C506	Round Frame	ODP	None	12.7	10.6	5,\$
2	1745	208-230/115	10.0-10.2/20.4	1.15	145TC	V108	Round Frame	ODP	None	13.9	11.7	5,\$
<b>RIGID BASE</b>												
1/3	3450	115/208-230	6.8/3.9-3.4	1.35	56C	B416	Rigid Base	ODP	Auto	10.3	8.3	
1/3	1725	115/208-230	5.2/2.6-2.5	1.35	56C	C235	Rigid Base	ODP	None	11.1	9.0	
1/2	3450	115/208-230	8.2/3.9-4.1	1.25	56C	B513	Rigid Base	ODP	Auto	10.6	8.5	
1/2	1725	115/208-230	7.2/3.5-3.6	1.25	56C	C335	Rigid Base	ODP	None	11.1	9.0	
3/4	3450	208-230/115	5.0-5.1/10.2	1.25	56C	B652	Rigid Base	ODP	Auto	11.2	9.1	
3/4	1725	115/208-230	10.4/5.2-5.3	1.25	56C	C446	Rigid Base	ODP	None	11.4	9.3	
1	3450	208-230/115	6.4-6.4/12.8	1.15	56C	B672	Rigid Base	ODP	Auto	11.4	9.4	
1	1725	208-230/115	7.2-6.5/13.0	1.25	56C	C530	Rigid Base	ODP	None	12.2	10.1	
1 1/2	3450	115/230	13.0/6.5	1.15	56C	B870	Rigid Base	ODP	Manual	11.5	9.4	5,\$
1 1/2	3450	208-230/115	9.4-9.0/18.0	1.15	56C	B753	Rigid Base	ODP	Auto	12.3	10.3	
1 1/2	1725	115/230	13.4/6.7	1.15	56C	C776	Rigid Base	ODP	Manual	12.2	10.1	5,\$
1 1/2	1725	208-230/115	7.8-7.5/15.0	1.20	56C	C508	Rigid Base	ODP	None	12.7	10.6	5,\$
2	3450	115/208-230	17.2/9.2-8.6	1.15	56C	B860	Rigid Base	ODP	Manual	12.7	10.6	5,\$
2	3450	208-230/115	10.0-9.5/19.0	1.15	56C	B764	Rigid Base	ODP	Auto	12.2	10.1	5,\$
2	1725	115/230	18.0/9.0	1.15	56HC	C215	Rigid Base	ODP	Manual	14.4	12.4	5,\$
2	1745	208-230/115	10.0-10.2/20.4	1.15	145TC	V106	Rigid Base	ODP	None	13.9	11.7	5,\$
3	3500	115/230	32.0/16.0	1.15	182TC	V202	Rigid Base	ODP	None	14.4	11.8	
3	1750	115/230	34.0/17.0	1.15	184TC	V212	Rigid Base	ODP	None	15.4	12.8	
5	3510	230	25.6	1.15	184TC	V203	Rigid Base	ODP	None	15.4	12.4	

### Notes:

- \$ Energy Efficient
- 5. \$ Energy Efficient two value capacitor start, capacitor run motor
- 62. Split Phase
- See page 247 for mounting dimensions



# Century® NEMA “C” Face • General Purpose Industrial Motors

**Single Phase - Capacitor Start - Dripproof - Rigid Base  
3600 RPM & 1800 RPM - Threaded Shaft - Non-Reversible  
303 Stainless Steel Shaft - 1/4 thru 2 HP**



**Features:**

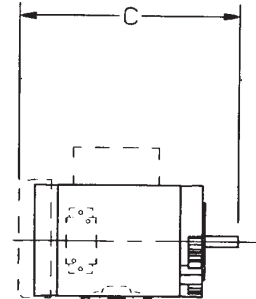
- Ball Bearing
- Class B Insulation
- CW Non-Reversible
- 40°C Ambient
- 60 Hz

**Applications:** Centrifugal pumps only

HP	RPM	Volts	Amps	Service Factor	Frame	Stock Number	Base/Mounting	Enclosure	Overload Protector	Rotation	“C” Dim.	Notes
1/4	1725	115/230	5.6/2.8	1.35	56J	C051	Rigid Base	ODP	Auto	CW	10.6	
1/3	3450	115/230	8.6/4.3	1.75	56J	B472	Rigid Base	ODP	Auto	CW	11.1	150
1/3	1725	115/230	6.2/3.1	1.35	56J	C052	Rigid Base	ODP	Auto	CW	11.6	
1/2	3450	115/230	10.0/5.0	1.60	56J	B606	Rigid Base	ODP	Auto	CW	11.3	
1/2	3450	115/230	10.0/5.0	1.60	56J	B606DC	Rigid Base	ODP	Auto	CW	11.3	142, New!
1/2	1725	115/230	8.2/4.1	1.25	56J	C053	Rigid Base	ODP	Auto	CW	11.6	
3/4	3450	230/115	6.6/13.2	1.50	56J	B620	Rigid Base	ODP	Auto	CW	11.8	
3/4	1725	230/115	5.8/11.6	1.25	56J	C054	Rigid Base	ODP	Auto	CW	12.0	
1	3450	230/115	8.1/16.2	1.40	56J	B622	Rigid Base	ODP	Auto	CW	12.1	
1	1725	230/115	7.2/14.4	1.25	56J	C055	Rigid Base	ODP	Auto	CW	12.7	
2	3450	230/115	11.2/22.4	1.20	56J	B765	Rigid Base	ODP	Auto	CW	12.8	5,\$

**Notes:**

- \$ Energy Efficient
- 5. \$ Energy Efficient two value capacitor start, capacitor run motor
- 142. Service factor amps
- 150. Rated 50/60 HZ
- See page 247 for mounting dimensions



# Capacitor Start TEFC C-Face Motors

## Features:

- Ball Bearing
- Capacitor Start
- Continuous Duty
- Electrically Reversible
- Keyed Shaft
- 40°C Ambient
- 60 Hz



EC1054AV1



C208

## Applications:

Designed for industrial and commercial pumps, speed reducers and other equipment that mounts directly on a NEMA "C" Face type motor.

## FOOTLESS

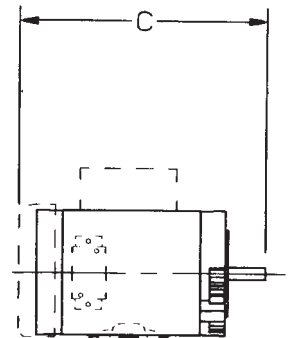
HP	RPM	Volts	Full Load Amps	Service Factor	Frame	Stock Number	Base/Mounting	Enclosure	Insul Class	Overload Protector	"C" Dim.	Notes
1/4	1725	115/230	3.3/1.7	1.00	48	C153L	Round Frame	TENV	B	None	10.0	New!
1/4	1140	115/208-230	5.0/2.4-2.5	1.15	56C	C208	Round Frame	TEFC	B	None	12.2	39
1/3	1725	115/208-230	5.2/2.5-2.6	1.15	56C	C155	Round Frame	TENV	B	None	11.0	
1/3	1140	115/208-230	6.0/3.0-3.0	1.15	56C	C209	Round Frame	TEFC	B	None	12.5	39
1/2	3450	115/208-230	7.4/3.7-3.7	1.15	56C	B519	Round Frame	TEFC	B	None	11.3	39
1/2	1725	115/230	8.7/4.3	1.15	56C	EC1054A	C-Flange	TEFC	B	Auto	11.2	1,6,39,48
1/2	1725	115/230	6.7/3.35	1.15	56C	EC1054AV1	C-Flange	TEFC	B	Auto	11.2	6,39,48, New!
1/2	1725	115/208-230	7.2/3.5-3.6	1.15	56C	C907	Round Frame	TEFC	B	None	12.2	39
3/4	1725	208-230/115	5.4-5.2/10.4	1.15	56C	C916	Round Frame	TEFC	B	None	12.5	39
3/4	1725	115/230	11.0/5.5	1.15	56C	EC1074A	C-Flange	TEFC	B	Auto	11.7	1,6,39,48
3/4	1725	115/230	11.0/5.5	1.15	56C	EC1074AL	C-Flange	TEFC	B	Auto	11.7	6,39, New!
3/4	1140	115/208-230	8.8/4.6-4.4	1.15	145TC	K108	Round Frame	TEFC	B	None	13.4	39,85,\$
1	3450	208-230/115	6.1-6.0/12.0	1.15	56C	B793	Round Frame	TEFC	B	None	12.2	39
1	1725	208-230/115	6.2-6.0/12.0	1.15	56C	C926	Round Frame	TEFC	B	None	13.0	39
1 1/2	3450	208-230/115	8.3-8.0/16.0	1.15	56C	B794	Round Frame	TEFC	B	None	12.7	39
1 1/2	1725	208-230/115	7.7-7.5/15.0	1.15	56C	C507	Round Frame	TEFC	B	None	13.7	39,85,\$
1 1/2	1725	115/208-230	15.0/7.7-7.75	1.15	145TC	K115	Round Frame	TEFC	B	None	14.4	39,85,\$
2	1745	115/208-230	17.8/9.6-8.9	1.00	145TC	K107	Round Frame	TEFC	F	None	15.2	39,85,\$

## Notes:

- \$ Energy Efficient \$
  - 1. Item to be discontinued when stock is depleted
  - 6. 60/50 HZ
  - 39. Gasketed conduit box
  - 48. 1.0 Service factor at 50 HZ
  - 85. Energy efficient \$ - capacitor start/run
- See page 247 for mounting dimensions

## Shaft Dimensions

- 56C = 5/8" Keyed x 1-7/8"
- 56J = 5/8" Threaded x 2-7/16"
- 143TC/145TC = 7/8" Keyed x 2-1/4"



# Capacitor Start TEFC Motors

## Features:

- Ball Bearing
- Capacitor Start
- Continuous Duty
- Electrically Reversible
- Keyed Shaft
- 40°C Ambient
- 60 Hz



C823

## Applications:

Designed for industrial and commercial pumps, speed reducers and other equipment that mounts directly on a NEMA "C" Face type motor.

## C-FACE – RIGID BASE

HP	RPM	Volts	Full Load Amps	Service Factor	Frame	Stock Number	Base/ Mounting	Enclosure	Insul. Class	Overload Protector	"C" Dim.	Notes
1/4	1140	115/208-230	5.0/2.4-2.5	1.15	56C	<b>C823</b>	Rigid Base	TEFC	B	None	12.0	167
1/3	3450	115/208-230	4.8/2.5-2.4	1.15	56C	<b>B420</b>	Rigid Base	TENV	B	None	10.2	221
1/3	1725	115/208-230	6.4/3.2	1.15	56C	<b>C824</b>	Rigid Base	TEFC	B	None	12.2	167
1/3	1140	115/208-230	6.0/3.0-3.0	1.15	56C	<b>C825</b>	Rigid Base	TEFC	B	None	12.5	167
1/2	3450	115/208-230	7.4/3.5-3.7	1.15	56C	<b>B888</b>	Rigid Base	TEFC	B	None	11.3	167
1/2	1725	115/208-230	7.2/3.5-3.6	1.15	56C	<b>C826</b>	Rigid Base	TEFC	B	None	12.2	167
1/2	1140	115/208-230	8.4/4.0-4.2	1.15	56C	<b>C827</b>	Rigid Base	TEFC	B	None	13.0	167
3/4	3450	208-230/115	5.0-4.6/9.2	1.15	56C	<b>B889</b>	Rigid Base	TEFC	B	None	12.2	167
3/4	1725	208-230/115	5.4-5.2/10.4	1.15	56C	<b>C828</b>	Rigid Base	TEFC	B	None	12.5	167
3/4	1140	208-230/115	4.6-4.4/8.8	1.15	56C	<b>C829</b>	Rigid Base	TEFC	B	None	13.5	85,167,\$
1	3450	208-230/115	6.1-6.0/12.0	1.15	56C	<b>B890</b>	Rigid Base	TEFC	B	None	12.2	167
1	1725	208-230/115	7.2-7.5/15.0	1.15	56HC	<b>C830</b>	Rigid Base	TEFC	B	None	13.2	30,167
1 1/2	3450	115/230	13.0/6.5	1.15	56C	<b>B871</b>	Rigid Base	TEFC	B	Manual	12.7	85,\$
1 1/2	3450	208-230/115	8.3-8.0/16.0	1.15	56C	<b>B891</b>	Rigid Base	TEFC	B	None	12.7	167
1 1/2	1725	208-230/115	7.8-7.5/15.0	1.15	56HC	<b>C831</b>	Rigid Base	TEFC	B	None	13.7	30,85,167,\$
1 1/2	1725	115/230	15.0/7.5	1.20	56C	<b>C777</b>	Rigid Base	TEFC	B	Manual	13.7	85,\$
2	3450	115/208-230	16.6/9.1-8.4	1.15	56HC	<b>B861</b>	Rigid Base	TEFC	B	Manual	14.2	85,\$
2	3450	208-230/115	9.1-8.2/16.4	1.15	56HC	<b>B892</b>	Rigid Base	TEFC	B	None	15.0	30,85,167,\$
2	1725	115/230	17.0/8.5	1.15	56HC	<b>C213</b>	Rigid Base	TEFC	B	Manual	14.4	85,\$
2	1725	208-230/115	9.6-8.9/17.8	1.15	56HC	<b>C832</b>	Rigid Base	TEFC	F	None	14.2	30,85,167,87,\$
3	3450	230	12.0	1.15	56HC	<b>B382</b>	Rigid Base	TEFC	B	Manual	15.2	85,\$
3	1750	115/230	34.0/17.0	1.15	184TC	<b>K209</b>	Rigid Base	TEFC	F	None	16.3	
5	1750	230	23.0	1.15	213TC	<b>K307</b>	Rigid Base	TEFC	F	None	18.4	85,87,\$

## 56 FRAME RESILIENT BASE

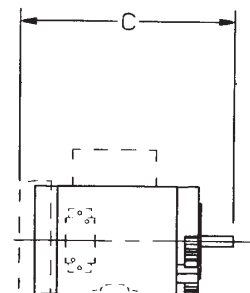
HP	RPM	Volts	Full Load Amps	Service Factor	Frame	Stock Number	Base/ Mounting	Enclosure	Insul. Class	Overload Protector	"C" Dim.	Notes
1/4	3450	115/230	4.8/2.4	1.00	56	<b>B417</b>	Resilient Base	TEFC	B	Auto	11.2	New!
1/4	3450	115/230	6.0/3.0	1.00	48	<b>B183</b>	Resilient Base	TEFC	B	Auto	11.6	New!
1/4	1140	115/230	4.6/2.3	1.00	56	<b>C061</b>	Resilient Base	TEFC	B	Auto	11.5	New!
1/3	3450	115/230	5.2/2.6	1.00	56	<b>B418</b>	Resilient Base	TEFC	B	Auto	11.2	New!
1/3	1140	115/230	5.8/2.9	1.00	56	<b>C062</b>	Resilient Base	TEFC	B	Auto	12.6	New!
1/2	3450	115/230	7.4/3.7	1.15	56	<b>B658</b>	Resilient Base	TEFC	B	Auto	11.2	New!
1/2	1140	115/230	8.4/4.2	1.00	56	<b>C344</b>	Resilient Base	TEFC	B	Auto	12.9	New!
3/4	3450	115/230	9.6/4.8	1.00	56	<b>B659</b>	Resilient Base	TEFC	B	Auto	12.6	New!
3/4	1140	115/230	11.4/5.7	1.00	56H	<b>B679</b>	Resilient Base	TEFC	B	Auto	13.6	New!
1	3450	115/230	12.0/6.0	1.00	56	<b>B698</b>	Resilient Base	TEFC	B	Auto	12.6	New!
1	1140	115/230	13.6/6.8	1.00	56	<b>B699</b>	Resilient Base	TEFC	B	Auto	14.1	New!

### Notes:

- \$ Energy Efficient \$
  - 30. 56, 140 Frame combination base (12 mounting holes)
  - 85. Energy efficient \$ - capacitor start/run
  - 87. Class F Insulation
  - 167. New Quad-Plus model – removable base (RMOV), vertical shaft up or down and steel frame construction
  - 221. Does not have conduit box
- See page 247 for mounting dimensions

### Shaft Dimensions

- 56C = 5/8" Keyed x 1-7/8"
- 56HC = 5/8" Keyed x 1-7/8"
- 145TC = 7/8" Keyed x 2"
- 184TC = 1-1/8" Keyed x 2-1/2"
- 213TC = 1-3/8" Keyed x 3-1/8"



# Capacitor Start Enclosed Rigid Base Motors

## Industrial and Farm Duty Applications

### Features:

- Ball Bearing
- Capacitor Start
- Continuous Duty
- Energy Efficient \$
- Reversible
- Rigid Base
- 40°C Ambient
- 60 Hz



K100

### Applications:

Compressors, conveyors, machine tools, pumps, air conditioning. Special service motors: air circulating fans, evaporative coolers, home workshops.

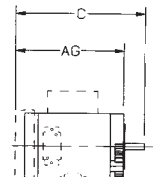
HP	RPM	Volts	Full Load Amps	Service Factor	Frame	Stock Number	Enclosure	Insul. Class	Overload Protector	"C" Dim.	"AG" Dim.	Notes
1/4	1725	115/230	3.6/1.8	1.00	48	C198L	TENV	B	None	10.4	8.8	115, New!
1/4	1725	115/208-230	3.8/2.0-1.9	1.15	56	C664	TENV	B	Auto	11.1	9.1	
1/4	1140	115/208-230	5.0/2.4-2.5	1.15	56	C026	TENV	B	None	11.1	9.1	
1/3	3450	115/208-230	4.8/2.5-2.4	1.15	56	B412	TENV	B	None	10.1	8.1	
1/3	1725	115/230	4.3/1.7	1.00	48	C150L	TENV	B	None	10.8	9.3	
1/3	1725	115/230	4.6/2.3	1.00	48	C151L	TENV	B	Auto	9.9	8.3	
1/3	1725	115/208-230	5.2/2.5-2.6	1.15	56	C220	TENV	B	None	11.1	9.1	
1/3	1725	115/208-230	5.2/2.5-2.6	1.15	56	C223	TENV	B	Auto	11.1	9.1	
1/3	1725	115/208-230	5.2/2.5-2.6	1.15	56	C225	TENV	A	Manual	11.1	9.1	
1/3	1140	115/208-230	6.0/3.0-3.0	1.15	56	C027	TENV	B	None	11.4	9.5	
1/2	3450	115/208-230	7.4/3.7-3.7	1.15	56	B621	TEFC	B	None	11.2	9.3	
1/2	1725	115/208-230	7.2/3.5-3.6	1.15	56	C612	TEFC	B	None	12.2	10.3	
1/2	1725	115/208-230	7.2/3.5-3.6	1.15	56	C613	TEFC	A	Auto	12.2	10.3	
1/2	1725	115/208-230	7.2/3.5-3.6	1.15	56	C521	TEFC	A	Manual	12.2	10.3	
1/2	1140	115/208-230	8.4/4.0-4.2	1.15	56	C322	TEFC	B	None	13.4	11.4	
3/4	3450	208-230/115	5.0-4.6/9.2	1.15	56	B664	TEFC	B	None	12.2	10.3	
3/4	1725	208-230/115	5.4-5.2/10.4	1.15	56	C669	TEFC	B	None	12.6	10.7	
3/4	1725	208-230/115	5.4-5.2/10.4	1.15	56	C671	TEFC	B	Auto	12.6	10.7	
3/4	1725	208-230/115	5.4-5.2/10.4	1.15	56	C520	TEFC	B	Manual	12.7	10.7	
1	3450	208-230/115	6.1-6.0/12.0	1.15	56	B674	TEFC	B	None	12.2	10.3	
1	3450	208-230/115	6.1-6.0/12.0	1.15	56	B695	TEFC	B	Manual	12.2	10.3	
1	1725	208-230/115	7.2-7.5/15.0	1.15	56	C683	TEFC	B	None	13.4	11.4	
1	1725	208-230/115	6.2-6.0/12.0	1.15	56	C685	TEFC	B	Auto	13.4	11.4	
1	1725	208-230/115	6.2-6.0/12.0	1.15	56	C620	TEFC	B	Manual	13.4	11.4	
1	1745	208-230/115	7.7-7.5/15.0	1.15	143T	K100	TEFC	B	None	13.7	11.4	
1 1/2	3450	208-230/115	8.3-8.0/16.0	1.15	56	B762	TEFC	B	None	12.7	10.7	
1 1/2	3450	208-230/115	8.3-8.0/16.0	1.15	56	B696	TEFC	B	Manual	12.6	10.7	
1 1/2	1725	208-230/115	7.7-7.5/15.0	1.15	56H	C693	TEFC	B	None	13.9	11.9	85,\$
1 1/2	1725	208-230/115	7.8-7.5/15.0	1.15	56H	C686	TEFC	B	Auto	13.9	11.9	85,\$
1 1/2	1745	208-230/115	7.7-7.5/15.0	1.15	145T	K101	TEFC	B	None	15.0	12.7	85,\$
2	3450	208-230/115	9.1-8.4/16.6	1.15	56	C802	TEFC	B	None	14.4	12.4	85,\$
2	3450	208-230/115	9.1-8.4/16.6	1.15	56H	B697	TEFC	B	Manual	14.4	12.4	85,\$
2	1750	115/230	24.0/12.0	1.00	182T	K200	TEFC	F	None	18.0	15.2	
3	3500	115/230	30.0/15.0	1.00	184T	K222	TEFC	B	None	17.9	15.1	
3	1750	115/230	32.0/16.0	1.00	184T	K203	TEFC	F	None	15.9	13.1	
5	3480	230	20.2	1.00	184T	K223	TEFC	F	None	17.9	15.1	85,\$
5	1750	230/460	23.0/11.5	1.00	213T	K304	TEFC	B	None	17.6	14.1	85,\$
7 1/2	3500	230	33.0	1.00	215T	K314	TEFC	B	None	19.1	15.6	85,\$
7 1/2	1750	230/460	34.0/17.0	1.00	215T	K305	TEFC	B	None	19.1	15.6	85,\$
10	3500	230	40.0	1.00	215T	K315	TEFC	B	None	19.1	15.6	85,\$
10	1750	230/460	39.0/19.5	1.00	215T	K313	TEFC	B	None	19.1	15.6	85,\$

### Notes:

\$ Energy Efficient \$  
 85. Energy efficient \$ - capacitor start/run  
 115. This motor is rated for operation on 60 or 50 HZ power. Full load amps listed at 60 HZ.  
 See page 247 for mounting dimensions

### Shaft Dimensions

56 = 5/8" Keyed x 1-7/8"  
 56H = 5/8" Keyed x 1-7/8"  
 143T/145T = 7/8" Keyed x 2-1/4"  
 182T/184T = 1-1/8" Keyed x 2-7/8"  
 213T/215T = 1-3/8" Keyed x 3-1/2"



# Three Phase ODP Resilient Base Motors

## Pumps - Blowers - Conveyors - Industrial Duty

### Features:

- Ball Bearing
- 40°C Ambient
- Continuous Duty
- 60 HZ



H940

HP	RPM	Volts	Full Load Amps	Service Factor	Frame	Stock Number	Enclosure	Insul. Class	Overload Protector	"C" Dim.	"AG" Dim.	Notes
1/3	1725/1425	200-230/460	1.1-1.2/6	1.35	48Y	H264A	ODP	B	None	9.6	8.0	6
1/3	1725	200-230/460	1.4-1.6/8	1.35	56	H262V2	ODP	B	None	11.1	9.1	New!
1/3	1725	208-230/460	1.9/9.5	1.35	56	RB3034A	ODP	B	Auto	10.8	8.6	1
1/2	3450	460/200-230	1.0/1.9-2.0	1.60	56	H840	ODP	B	Auto	12.2	10.3	35,82
1/2	1725	208-230/460	2.0/1.0	1.25	56	BK3054V1	ODP	B	Auto	11.4	9.5	26
1/2	1725	460/200-230	1.0/1.8-2.0	1.25	56	H275V2	ODP	B	None	11.1	9.1	26, New!
1/2	1725	460/200-230	1.0/1.9-2.0	1.25	56	H850L	ODP	B	Auto	12.2	10.3	82, New!
1/2	1725	575	.70	1.25	56	H940V1	ODP	B	Auto	11.1	9.1	New!
1/2	1725	575	.88	1.25	56	H957L	ODP	A	None	10.1	8.1	New!
3/4	3450	200-230/460	2.4/1.2	1.50	56	H449	ODP	B	None	11.1	9.1	
3/4	3450	460/200-230	1.4/2.8-2.8	1.50	56	H841V1	ODP	B	Auto	12.7	10.8	26,35,82
3/4	3450	575	1.05	1.50	56	5BK3072	ODP	A	Auto	11.4	9.5	
3/4	1725	200-230/460	2.7-2.8/1.4	1.25	56	H582V2	ODP	B	None	10.1	8.1	26, New!
3/4	1725	208-230/460	2.9/1.45	1.25	56H	BK3074	ODP	B	Auto	11.9	10.0	
3/4	1725	460/200-230	1.5/2.8-3.0	1.25	56	H851V2	ODP	B	Auto	12.2	10.3	26,82 New!
3/4	1725	575	.90	1.25	56	H941	ODP	B	Auto	11.1	9.1	1
3/4	1725	575	.90	1.25	56	H941L	ODP	B	Auto	11.1	9.1	
3/4	1725	575	1.0	1.25	56	H958	ODP	A	None	10.1	8.1	1
3/4	1725	575	1.0	1.25	56	H958L	ODP	B	None	10.4	8.5	New!
1	3450	200-230/460	3.2-3.0/1.5	1.40	56	H464	ODP	B	None	11.1	9.1	
1	3450	230/460	4.1/2.05	1.40	56H	BK3102	ODP	A	Auto	11.9	10.0	
1	3450	460/200-230	1.8/3.5-3.6	1.40	56H	H842V1	ODP	B	Auto	12.9	11.0	26,35,82
1	3450	575	1.5	1.40	56H	H950	ODP	B	Auto	12.7	10.8	82
1	1725	200-230/460	3.3-3.4/1.7	1.30	56	H1031	TEAO	B	None	11.5	9.5	1,26
1	1725	200-230/460	3.3-3.4/1.7	1.15	56	H1031L	TEAO	B	None	11.5	9.5	26, New!
1	1725	200-230/460	3.4-3.6/1.8	1.25	56	H615V2	ODP	B	None	11.1	9.1	26, New!
1	1725	208-230/460	3.6/1.8	1.25	56H	RB3104A	Open	B	Auto	11.8	9.8	6
1	1725	460/200-230	2.0/3.7-4.0	1.15	56U	H852L	ODP	B	Auto	12.7	10.8	82, New!
1	1725	575	1.4	1.25	56	H959L	ODP	B	None	11.4	9.5	New!
1	1725	575	1.5	1.15	56H	H942	ODP	B	Auto	12.7	10.8	1,82
1	1725	575	1.5	1.15	56H	H942L	ODP	B	Auto	12.7	10.8	82, New!

### Notes:

1. Item to be discontinued when stock is depleted
  6. 60/50 Hz
  26. Extended thru bolts, shaft end only
  35. Quick connect design bracket
  82. Horizontal mount only
- See page 247 for mounting dimensions

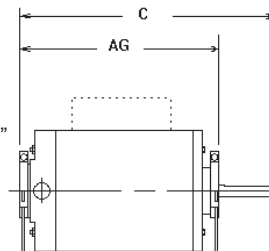
Continues on next page



Motors specially designed, tested and warranted to be **Corona-Free** for compatible inverter duty are marked on this page with a ⚡. See page 4 and 5 of this catalog for more Speed Engineered® motors information.

### Shaft Dimensions

- 56 = 5/8" Keyed x 1-7/8"
- 56H = 5/8" Keyed x 1-7/8"





## Pumps - Blowers - Conveyors - Industrial Duty

### Features:

- Ball Bearing
- Continuous Duty
- Open Dripproof
- Single and Two-Speed
- 40°C Ambient
- 60 HZ



RB3154A

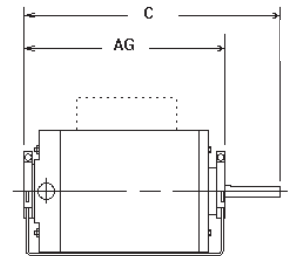
HP	RPM	Speeds	Volts	Full Load Amps	Service Factor	Frame	Stock Number	Insul. Class	Overload Protector	"C" Dim.	"AG" Dim.	Notes
1 1/2	3450	1	200-230/460	4.5-4.2/2.1	1.30	56	H531	B	None	11.1	9.1	
1 1/2	3450	1	460/200-230	2.3/4.7-4.6	1.30	56H	H843V1	B	Auto	12.9	11.0	26,35,82
1 1/2	3450	1	575	1.8	1.15	56H	H944	B	Auto	12.9	11.0	35,82
1 1/2	1725	1	200-230/460	5.3-5.6/2.8	1.20	56H	H536L	B	None	12.2	10.3	New!
1 1/2	1725	1	208-230/460	5.0/2.5	1.15	56H	RB3154A	B	Auto	11.8	9.8	6,48
1 1/2	1725	1	208-230/460	5.0/2.5	1.15	56HZ	RB3154AV1	B	Auto	12.3	10.0	6,15,48
1 1/2	1725	1	460/200-230	2.8/5.0-5.6	1.15	56H	H853V2	B	Auto	12.9	11.0	82, New!
1 1/2	1725	1	575	2.0	1.20	56	H943V1	B	Auto	11.7	9.8	New!
1 1/2	1725	1	575	2.0	1.20	56H	H960	B	None	12.2	10.3	1
1 1/2	1725	1	575	2.0	1.20	56H	H960V1	B	None	12.2	10.3	New!
1-1/2~.68	1745/1140	2	460	2.1/1.3	1.15	56H	H1035L	B	None	12.7	10.8	New!
1-1/2~.68	1745/1140	2-2-VT	200-230	4.8-4.6/2.8-2.7	1.15	56H	H1034V1	B	None	12.7	10.8	New!
2	3450	1	200-230/460	6.0-5.5/2.75	1.20	56	H538	B	None	11.4	9.5	
2	3450	1	200-230/460	6.0-5.8/2.9	1.20	56H	BK3202L	B	Auto	13.9	12.1	26
2	3450	1	460/200-230	2.9/6.0-5.8	1.20	56H	H844	B	Auto	13.9	12.0	35,82
2	3450	1	575	2.4	1.20	56H	H952	B	Auto	13.9	12.0	82
2	1725	1	208-230/460	7.4/3.7	1.15	56H	RB3204	B	None	12.8	10.6	6,48
2	1725	1	208-230/460	6.2/3.1	1.15	56H	RB3204A	B	Auto	12.8	10.6	6,48
2	1725	1	208-230/460	6.2/3.1	1.15	56HZ	RB3204AV1	B	Auto	13.3	11.0	6,48
2	1725	1	460/200-230	3.5/6.6-7.0	1.15	56HZ	H854L	B	Auto	13.8	11.5	15,82, New!
2	1725	1	575	2.4	1.20	56HZ	H1022	B	Auto	13.1	10.8	1,15
2	1725	1	575	2.6	1.20	56HZ	H1022V1	B	Auto	13.1	10.8	New!
3	3450	1	460/200-230	4.3/9.0-8.6	1.15	56HZ	H845	B	Auto	13.8	11.5	15,35,82
3	3450	1	460/230	4.3/8.6	1.15	56HZ	H1038E	B	Auto	14.6	11.5	26
3	3450	1	575	3.6	1.15	56HZ	H954	B	Auto	13.8	11.5	15,82
3	1725	1	460/200-230	4.4/9.0-8.8	1.15	56HZ	H855L	F	Auto	14.6	12.2	15,82, New!
5	3450	1	208-230/460	13.4-13.2/6.6	1.15	56HZ	H1039L	B	Auto	14.6	12.3	15

Notes:

- 1. Item to be discontinued when stock is depleted
  - 6. 50/60 HZ
  - 15. 56HZ = 7/8" key x 2-5/16" shaft
  - 26. Extended thru bolts, shaft end only
  - 35. Quick connect design bracket
  - 48. 1.0 Service factor at 50 HZ
  - 82. Horizontal mount only
- See page 247 for mounting dimensions

### Shaft Dimensions

- 56 = 5/8" Keyed x 1-7/8"
- 56H = 5/8" Keyed x 1-7/8"

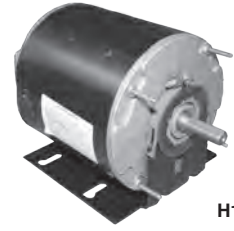


# Three Phase Totally Enclosed Resilient Base Motors

## Pumps - Blowers - Conveyors - Industrial Duty

### Features:

- Ball Bearing
- Class B Insulation
- Continuous Duty
- 40°C Ambient
- 60 HZ



H1025A

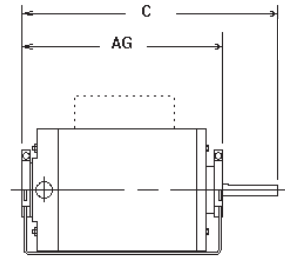
HP	RPM	Volts	Full Load Amps	Service Factor	Frame	Stock Number	Enclosure	Overload Protector	Rotation	"C" Dim.	"AG" Dim.	Notes
1/4	1725/1425	208-230/460	1.4-1.5/1.75	1.00	48Y	H1025A	TEAO	None	REV	8.4	7.1	26
1/4	1140	200-230/460	1.3-1.2/1.6	1.15	56	H1026	TENV	None	RCC	10.1	8.1	26
1/3	1725/1425	208-230/460	1.2-1.2/1.6, 1.4-1.4/1.7	1.00	48Y	H1027A	TEAO	None	REV	9.2	7.7	6,26
1/2	1725	200-230/460	1.6-1.8/1.9	1.15	56	H1028	TENV	None	RCC	11.1	9.1	26
1/2	1140	200-230/460	2.1-2.0/1.0	1.15	56	H1029	TENV	None	RCC	11.1	9.1	26
3/4	1725	200-230/460	2.3-2.4/1.2	1.15	56	H1030L	TENV	None	RCC	11.4	9.5	New!

### Notes:

- 6. 60/50 HZ
- 26. Extended thru bolts, shaft end only
- See page 247 for mounting dimensions

### Shaft Dimensions

- 56 = 5/8" Keyed x 1-7/8"
- 56H = 5/8" Keyed x 1-7/8"



# Three Phase TEFC NEMA "C" Face General Purpose Motors

## Three Phase - Squirrel Cage - No Base 3600 - 1800 & 1200 RPM - 1/4 thru 75 HP



H751

### Features:

- Ball Bearing
- 40°C Ambient
- Keyed Shaft
- 60 HZ
- Reversible

### Applications:

Designed for industrial and commercial pumps, speed reducers and other equipment that mounts directly on a NEMA "C" Face type motor.

HP	RPM	Volts	Full Load Amps	Service Factor	Frame	Stock Number	Type	Enclosure	Insul. Class	Cast Iron	"C" Dim.	Notes
1/4	1725	208-230/460	1.2-1.1/1.55	1.00	56C	H157V1		TENV	B		9.5	New!
1/3	3450	200-230/460	1.3-1.4/1.7	1.15	56C	H288		TENV	B		9.2	
1/3	1725/1425	200-230/460	1.3-1.2/1.6	1.15	56C	H159L		TENV	B		10.2	6, New!
1/3	1725/1425	200-230/460	1.4-1.5/1.75	1.15	56C	H061L ⚡		TEFC	B		11.1	6, 48, New!
1/3	1140	200-230/460	1.8-1.6/1.8	1.15	56C	H031		TENV	B		10.2	
1/2	3450	200-230/460	1.9-1.8/1.9	1.15	56C	H473		TENV	B		9.5	
1/2	1725/1425	200-230/460	1.6-1.8/1.9	1.15	56C	H062L		TEFC	B		11.6	6, New!
1/2	1725/1425	200-230/460	1.6-1.8/1.9	1.15	56C	H256L		TENV	B		10.2	6, New!
3/4	3450	200-230/460	2.5-2.4/1.2	1.15	56C	H563		TENV	B		10.5	
3/4	1725/1425	200-230/460	2.2-2.4/1.2	1.15	56C	H257		TENV	B		11.0	1, 6, 48
3/4	1725/1425	200-230/460	2.2-2.4/1.2	1.15	56C	H257L		TENV	B		11.4	6, New!
3/4	1725/1425	200-230/460	2.5-2.4/1.2	1.15	56C	H063L ⚡		TEFC	B		11.7	6, New!
3/4	1140	200-230/460	4.0-4.0/2.0	1.15	56C	H035		TEFC	B		12.2	
1	3450	200-230/460	3.2-3.0/1.5	1.15	56C	H633		TEFC	B		11.3	
1	1730	230/460	2.8/1.4	1.15	143TC	TCF82026E	E+3(NP)	TEFC	F	√	13.2	New!
1	1725/1425	200-230/460	3.3-3.2/1.6	1.15	56C	H921L		TEFC	B		12.0	6, New!
1	1725/1425	200-230/460	3.3-3.2/1.6	1.15	143TC	H064L ⚡		TEFC	B		12.7	6, 48, New!
1	1140	230/460	3.4/1.7	1.15	145TC	TCF82051E	E+3(NP)	TEFC	F	√	13.2	New!
1 1/2	3470	230/460	3.8/1.9	1.15	143TC	TCF82002E	E+3(NP)	TEFC	F	√	13.2	New!
1 1/2	3450	200-230/460	4.5-4.2/2.1	1.15	56C	H751		TEFC	B		11.7	
1 1/2	1730	230/460	4.2/2.1	1.15	145TC	TCF82027E	E+3(NP)	TEFC	F	√	13.2	New!
1 1/2		200-230/460	4.5-4.4/2.2	1.15	56C	H931L		TEFC	B		12.4	New!
1 1/2	1165	230/460	4.8/2.4	1.15	182TC	TCF82052E	E+3(NP)	TEFC	F	√	15.4	New!
2	3475	230/460	5.0/2.5	1.15	145TC	TCF82003E	E+3(NP)	TEFC	F	√	13.2	New!
2	3450	200-230/460	6.0-5.5/2.75	1.15	56C	H753		TEFC	B		12.2	
2	3450	575	2.2	1.00	56C	H948		TEFC	B		12.6	1
2	1730	230/460	5.6/2.8	1.15	145TC	TCF82028E	E+3(NP)	TEFC	F	√	13.2	New!
2	1725/1425	200-230/460	6.0-5.8/2.9	1.15	56C	H703L		TEFC	B		13.2	6, 48, New!
2	1165	230/460	5.8/2.9	1.15	184TC	TCF82053E	E+3(NP)	TEFC	F	√	15.4	New!

### Notes:

- Item to be discontinued when stock is depleted
- 60/50 Hertz
- 1.0 Service Factor at 50 Hz

Published efficiency on tri-voltage rated motors applies at 230/460 volts. Performance at 200 or 208 volts may not be in accordance with NEMA standards.

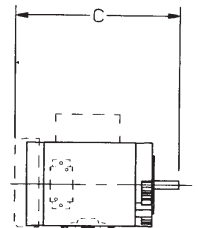
Continues on next page



Motors specially designed, tested and warranted to be Corona-Free for compatible inverter duty are marked on this page with a ⚡. See page 4 and 5 of this catalog for more Speed Engineered® motors information.

### Shaft Dimensions

- 56C = 5/8" Keyed x 1-7/8"
- 56HC = 5/8" Keyed x 1-7/8"
- 143TC/145TC = 7/8" Keyed x 2-1/4"
- 182TC/184TC = 1-1/8" x 2-3/4"
- 213TC/215TC = 1-3/8" x 2-3/4"



# Three Phase TEFC NEMA "C" Face General Purpose Motors

Continued from previous page

## Three Phase - Squirrel Cage - No Base 3600 - 1800 & 1200 RPM - 1/4 thru 75 HP

### Features:

- Ball Bearing
- Keyed Shaft
- Reversible
- 40°C Ambient
- 60 HZ



H803

### Applications:

Designed for industrial and commercial pumps, speed reducers and other equipment that mounts directly on a NEMA "C" Face type motor.

HP	RPM	Volts	Full Load Amps	Service Factor	Frame	Stock Number	Type	Enclosure	Insul. Class	Cast Iron	"C" Dim.	Notes
3	3505	230/460	7.2/3.6	1.15	182TC	TCF82004E ⚡	E+3(NP)	TEFC	F	✓	15.4	New!
3	3450	200-230/460	8.5-8.2/4.1	1.15	56C	H803		TEFC	B		13.2	
3	1750	230/460	8.0/4.0	1.15	182TC	TCF82029 ⚡		TEFC	F	✓	15.4	1
3	1745	230/460	7.8/3.9	1.15	182TC	TCF82029E ⚡	E+3(NP)	TEFC	F	✓	15.4	New!
3	1170	230/460	8.6/4.3	1.15	213TC	TCF82054E ⚡	E+3(NP)	TEFC	F	✓	19.4	New!
5	3505	230/460	11.6/5.8	1.15	184TC	TCF82005E ⚡	E+3(NP)	TEFC	F	✓	15.4	New!
5	1745	230/460	12.8/6.4	1.15	184TC	TCF82030E ⚡	E+3(NP)	TEFC	F	✓	15.4	New!
5	1170	230/460	13.8/6.9	1.15	215TC	TCF82055E ⚡	E+3(NP)	TEFC	F	✓	19.4	New!
7 1/2	3500	230/460	18.0/9.0	1.15	213TC	TCF82006E ⚡	E+3(NP)	TEFC	F	✓	19.4	New!
7 1/2	1750	230/460	18.2/9.1	1.15	213TC	TCF82031E ⚡	E+3(NP)	TEFC	F	✓	19.4	New!
7 1/2	1170	230/460	20.2/10.1	1.15	254TC	TCF82056E ⚡	E+3(NP)	TEFC	F	✓	25.1	New!
10	3500	230/460	23.0/11.5	1.15	215TC	TCF82007E ⚡	E+3(NP)	TEFC	F	✓	19.4	New!
10	1750	230/460	23.8/11.9	1.15	215TC	TCF82032E ⚡	E+3(NP)	TEFC	F	✓	19.4	New!
10	1170	230/460	26.4/13.2	1.15	256TC	TCF82057E ⚡	E+3(NP)	TEFC	F	✓	25.1	New!
15	3510	230/460	34.6/17.3	1.15	254TC	TCF82008E ⚡	E+3(NP)	TEFC	F	✓	25.1	New!
15	1760	230/460	37.0/18.5	1.15	254TC	TCF82033E ⚡	E+3(NP)	TEFC	F	✓	25.1	New!
15	1170	230/460	38.8/19.4	1.15	284TC	TCF82058E ⚡	E+3(NP)	TEFC	F	✓	26.9	New!
20	3510	230/460	46.0/23.0	1.15	256TC	TCF82009E ⚡	E+3(NP)	TEFC	F	✓	25.1	New!
20	1760	230/460	49.0/24.5	1.15	256TC	TCF82034E ⚡	E+3(NP)	TEFC	F	✓	25.1	New!
20	1170	230/460	51.0/25.5	1.15	286TC	TCF82059E ⚡	E+3(NP)	TEFC	F	✓	28.4	New!
25	3520	230/460	57.4/28.7	1.15	284TSC	TCF82010E ⚡	E+3(NP)	TEFC	F	✓	25.5	New!
25	1765	230/460	60.0/30.0	1.15	284TC	TCF82035E ⚡	E+3(NP)	TEFC	F	✓	26.9	New!
25	1175	230/460	60.4/30.2	1.15	324TC	TCF82060E ⚡	E+3(NP)	TEFC	F	✓	29.7	New!
30	3525	230/460	68.2/34.1	1.15	286TSC	TCF82011E ⚡	E+3(NP)	TEFC	F	✓	27.0	New!
30	1765	230/460	72.0/36.0	1.15	286TC	TCF82036E ⚡	E+3(NP)	TEFC	F	✓	28.4	New!
30	1175	230/460	72.0/36.0	1.15	326TC	TCF82061E ⚡	E+3(NP)	TEFC	F	✓	31.4	New!
40	3530	230/460	93.4/46.7	1.15	324TSC	TCF82012E ⚡	E+3(NP)	TEFC	F	✓	28.2	New!
40	1770	230/460	94.8/47.4	1.15	324TC	TCF82037E ⚡	E+3(NP)	TEFC	F	✓	29.7	New!
40	1180	230/460	96.0/48.0	1.15	364TC	TCF82062E ⚡	E+3(NP)	TEFC	F	✓	32.5	New!
50	3550	230/460	114.0/57.0	1.15	326TSC	TCF82013E ⚡	E+3(NP)	TEFC	F	✓	29.9	New!
50	1770	230/460	118.0/59.0	1.15	326TC	TCF82038E ⚡	E+3(NP)	TEFC	F	✓	31.1	New!
50	1180	230/460	120.0/60.0	1.15	365TC	TCF82063E ⚡	E+3(NP)	TEFC	F	✓	33.5	New!
60	3565	230/460	136.0/68.0	1.15	364TSC	TCF82014E ⚡	E+3(NP)	TEFC	F	✓	30.4	New!
60	1770	230/460	143.0/71.5	1.15	364TC	TCF82039E ⚡	E+3(NP)	TEFC	F	✓	32.5	New!
60	1180	230/460	148.0/74.0	1.15	404TC	TCF82064E ⚡	E+3(NP)	TEFC	F	✓	40.6	New!
75	3565	230/460	168.0/84.0	1.15	365TSC	TCF82015E ⚡	E+3(NP)	TEFC	F	✓	31.4	New!
75	1770	230/460	180.0/90.0	1.15	365TC	TCF82040E ⚡	E+3(NP)	TEFC	F	✓		New!

### Notes:

1. Item to be discontinued when stock is depleted

Continues on next page

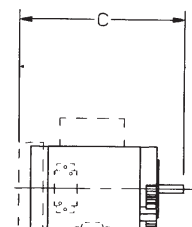
Published efficiency on tri-voltage rated motors applies at 230/460 volts. Performance at 200 or 208 volts may not be in accordance with NEMA standards.



Motors specially designed, tested and warranted to be **Corona-Free** for compatible inverter duty are marked on this page with a ⚡. See page 4 and 5 of this catalog for more Speed Engineered® motors information.

### Shaft Dimensions

- 56C = 5/8" Keyed x 1-7/8"
- 56HC = 5/8" Keyed x 1-7/8"
- 143TC/145TC = 7/8" Keyed x 2-1/4"
- 182TC/184TC = 1-1/8" x 2-3/4"
- 213TC/215TC = 1-3/8" x 2-3/4"



# Three Phase TEFC NEMA "C" Face General Purpose Motors

## Three Phase - Squirrel Cage - TEFC - Rigid Base and Removable Base 3600 - 1800 & 1200 RPM - 1/4 thru 75 HP



### Features:

- Ball Bearing
- Reversible
- Keyed Shaft
- 60 HZ
- 40°C Ambient
- Inverter Duty Motors NEMA Design B

### Applications:

Designed for industrial and commercial pumps, speed reducers and other equipment that mounts directly on a NEMA "C" Face type motor.

HP	RPM	Volts	Full Load Amps	Service Factor	Frame	Stock Number	Type	Base/ Mounting	Insul. Class	Cast Iron	"C" Dim.	Notes
1/4	1140	208-230/460	1.3-1.2/1.6	1.15	56C	H1000		Removable Base	B		11.3	
1/3	3450	208-230/460	1.3-1.4/1.7	1.15	56C	H1001		Removable Base	B		11.3	72
1/3	1725	208-230/460	1.3-1.2/1.6	1.15	56C	H1002L		Rigid Base	B		11.7	New!
1/3	1140	208-230/460	1.8-1.6/1.8	1.15	56C	H1003		Rigid Base	B		11.3	
1/2	3450	208-230/460	1.5-1.4/1.7	1.15	56C	H1004		Rigid Base	B		11.3	
1/2	1725	208-230/460	1.6-1.8/1.9	1.15	56C	H1005		Rigid Base	B		11.7	
1/2	1140	208-230/460	2.1-2.0/1.0	1.15	56C	H1006		Rigid Base	B		12.2	
3/4	3450	208-230/460	2.6-2.4/1.2	1.15	56C	H1007		Rigid Base	B		11.3	
3/4	1725	208-230/460	2.5-2.4/1.2	1.15	56C	H1008L		Rigid Base	B		11.7	New!
3/4	1140	208-230/460	3.2/1.6	1.15	56C	H1009		Rigid Base	B		12.2	
1	3450	208-230/460	3.1-3.2/1.6	1.15	56C	H1010		Rigid Base	B		11.3	
1	1745	230/460	3.0/1.5	1.15	143TC	E1026L	☼	Rigid Base	B		13.9	
1	1730	230/460	2.8/1.4	1.15	143TC	TCF81026E		Rigid Base	F		13.2	New!
1	1725	208-230/460	3.3-3.2/1.6	1.15	56HC	H1011L		Rigid Base	B		13.0	30, New!
1	1140	208-230/460	4.2-3.8/1.9	1.15	56C	H1012		Rigid Base	B		12.5	
1	1140	230/460	3.4/1.7	1.15	145TC	TCF81051E	☼ E+3(NP)	Rigid Base	F	✓	13.2	New!
1 1/2	3450	208-230/460	4.5-4.2/2.1	1.15	56C	H1013		Rigid Base	B		11.7	
1 1/2	3470	230/460	3.8/1.9	1.15	143TC	TCF81002E	☼ E+3(NP)	Rigid Base	F	✓	13.2	New!
1 1/2	1730	230/460	4.2/2.1	1.15	145TC	TCF81027E	☼ E+3(NP)	Rigid Base	F	✓	13.2	New!
1 1/2	1725	208-230/460	4.5-4.4/2.2	1.15	56HC	H1014L		Rigid Base	B		13.0	New!
1 1/2	1165	230/460	4.8/2.4	1.15	182TC	TCF81052E	☼ E+3(NP)	Rigid Base	F	✓	15.4	New!
2	3450	208-230/460	6.0-5.6/2.8	1.15	56HC	H1015		Rigid Base	B		13.0	30
2	3450	230/460	5.4/2.7	1.15	143TC	E1028		Rigid Base	B		13.9	1
2	3475	230/460	5.0/2.5	1.15	145TC	TCF81003E	☼ E+3(NP)	Rigid Base	F	✓	13.2	New!
2	1730	230/460	5.6/2.8	1.15	145TC	TCF81028E	☼ E+3(NP)	Rigid Base	F	✓	13.2	New!
2	1725	208-230/460	6.0-5.8/2.9	1.15	56HC	H1016L		Rigid Base	B		13.2	New!
2	1165	230/460	5.8/2.9	1.15	184TC	TCF81053E	☼ E+3(NP)	Rigid Base	F	✓	15.4	New!
3	3450	208-230/460	9.6-9.8/4.9	1.15	56HC	H1017		Rigid Base	B		15.0	30
3	3505	230/460	7.2/3.6	1.15	182TC	TCF81004E	☼ E+3(NP)	Rigid Base	F	✓	15.4	New!
3	3450	575	3.1	1.00	56C	H949		Rigid Base	B		13.7	
3	1745	230/460	7.8/3.9	1.15	182TC	TCF81029E	☼ E+3(NP)	Rigid Base	F	✓	15.4	New!
3	1170	230/460	8.6/4.3	1.15	213TC	TCF81054E	☼ E+3(NP)	Rigid Base	F	✓	19.4	New!

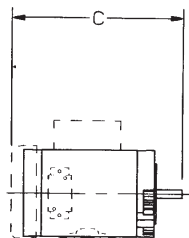
### Notes:

1. Item to be discontinued when stock is depleted
30. 56, 140 Frame combination base (12 mounting holes)
72. No brake kit available

Published efficiency on tri-voltage rated motors applies at 230/460 volts. Performance at 200 or 208 volts may not be in accordance with NEMA standards.



Motors specially designed, tested and warranted to be **Corona-Free** for compatible inverter duty are marked on this page with a ☼. See page 4 and 5 of this catalog for more Speed Engineered® motors information.



Continues on next page

## Three Phase - Squirrel Cage - TEFC - Rigid Base 3600 - 1800 & 1200 RPM - 1/4 thru 75 HP



TCF81005E

### Features:

- Ball Bearing
- Reversible
- Class F Insulation
- NEMA Design B
- Keyed Shaft
- 60 HZ
- 40°C Ambient

### Applications:

Designed for industrial and commercial pumps, speed reducers and other equipment that mounts directly on a NEMA "C" Face type motor.

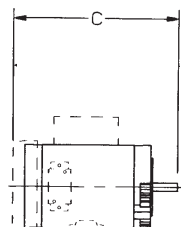
HP	RPM	Volts	Full Load Amps	Service Factor	Frame	Stock Number	Type	Base/ Mounting	Enclosure	Cast Iron	"C" Dim.	Notes
5	3505	230/460	11.6/5.8	1.15	184TC	TCF81005E	E+3(NP)	Rigid Base	TEFC	✓	15.4	New!
5	1745	230/460	12.8/6.4	1.15	184TC	TCF81030E	E+3(NP)	Rigid Base	TEFC	✓	19.4	New!
5	1170	230/460	13.8/6.9	1.15	215TC	TCF81055E	E+3(NP)	Rigid Base	TEFC	✓	19.4	New!
7 1/2	3500	230/460	18.0/9.0	1.15	213TC	TCF81006E	E+3(NP)	Rigid Base	TEFC	✓	19.4	New!
7 1/2	1750	230/460	18.2/9.1	1.15	213TC	TCF81031E	E+3(NP)	Rigid Base	TEFC	✓	19.4	New!
7 1/2	1170	230/460	20.2/10.1	1.15	254TC	TCF81056E	E+3(NP)	Rigid Base	TEFC	✓	25.1	New!
10	3495	230/460	24.0/12.0	1.15	215TC	TCF81007E	E+	Rigid Base	TEFC	✓	19.4	1,362,363
10	3500	230/460	23.0/11.5	1.15	215TC	TCF81007E	E+3(NP)	Rigid Base	TEFC	✓	19.4	New!
10	1750	230/460	23.8/11.9	1.15	215TC	TCF81032E	E+3(NP)	Rigid Base	TEFC	✓	19.4	New!
10	1170	230/460	26.4/13.2	1.15	256TC	TCF81057E	E+3(NP)	Rigid Base	TEFC	✓	25.1	New!
15	3510	230/460	34.6/17.3	1.15	254TC	TCF81008E	E+3(NP)	Rigid Base	TEFC	✓	25.1	New!
15	1760	230/460	37.0/18.5	1.15	254TC	TCF81033E	E+3(NP)	Rigid Base	TEFC	✓	25.1	New!
15	1170	230/460	38.8/19.4	1.15	284TC	TCF81058E	E+3(NP)	Rigid Base	TEFC	✓	26.9	New!
20	3510	230/460	46.0/23.0	1.15	256TC	TCF81009E	E+3(NP)	Rigid Base	TEFC	✓	25.1	New!
20	1760	230/460	49.0/24.5	1.15	256TC	TCF81034E	E+3(NP)	Rigid Base	TEFC	✓	25.1	New!
20	1170	230/460	51.0/25.5	1.15	286TC	TCF81059E	E+3(NP)	Rigid Base	TEFC	✓	28.4	New!
25	3520	230/460	57.4/28.7	1.15	284TSC	TCF81010E	E+3(NP)	Rigid Base	TEFC	✓	25.5	New!
25	1765	230/460	60.0/30.0	1.15	284TC	TCF81035E	E+3(NP)	Rigid Base	TEFC	✓	26.9	New!
25	1175	230/460	60.4/30.2	1.15	324TC	TCF81060E	E+3(NP)	Rigid Base	TEFC	✓	29.7	New!
30	3525	230/460	68.2/34.1	1.15	286TSC	TCF81011E	E+3(NP)	Rigid Base	TEFC	✓	27.0	New!
30	1765	230/460	72.0/36.0	1.15	286TC	TCF81036E	E+3(NP)	Rigid Base	TEFC	✓	28.4	New!
30	1175	230/460	72.0/36.0	1.15	326TC	TCF81061E	E+3(NP)	Rigid Base	TEFC	✓	31.4	New!
40	3530	230/460	93.4/46.7	1.15	324TSC	TCF81012E	E+3(NP)	Rigid Base	TEFC	✓	28.2	New!
40	1770	230/460	94.8/47.4	1.15	324TC	TCF81037E	E+3(NP)	Rigid Base	TEFC	✓	29.7	8, New!
40	1180	230/460	96.0/48.0	1.15	364TC	TCF81062E	E+3(NP)	Rigid Base	TEFC	✓	32.5	New!
50	3550	230/460	114.0/57.0	1.15	326TSC	TCF81013E	E+3(NP)	Rigid Base	TEFC	✓	29.9	New!
50	1765	230/460	118.0/59.0	1.15	326TC	TCF81038E	E+	Rigid Base	TEFC	✓	31.4	1,362,364
50	1770	230/460	118.0/59.0	1.15	326TC	TCF81038E	E+3(NP)	Rigid Base	TEFC	✓	31.4	New!
50	1180	230/460	120.0/60.0	1.15	365TC	TCF81063E	E+3(NP)	Rigid Base	TEFC	✓	33.5	New!
60	3565	230/460	136.0/68.0	1.15	364TSC	TCF81014E	E+3(NP)	Rigid Base	TEFC	✓	30.4	New!
60	1770	230/460	143.0/71.5	1.15	364TC	TCF81039E	E+3(NP)	Rigid Base	TEFC	✓	32.5	New!
60	1180	230/460	148.0/74.0	1.15	404TC	TCF81064E	E+3(NP)	Rigid Base	TEFC	✓	39.7	New!
75	3565	230/460	168.0/84.0	1.15	365TSC	TCF81015E	E+3(NP)	Rigid Base	TEFC	✓	31.4	New!
75	1770	230/460	180.0/90.0	1.15	365TC	TCF81040E	E+3(NP)	Rigid Base	TEFC	✓	33.5	New!
75	1180	230/460	181.0/90.5	1.15	405TC	TCF81065E	E+3(NP)	Rigid Base	TEFC	✓	40.6	New!

### Notes:

1. Item to be discontinued when stock is depleted
8. NEMA design A
362. 12 lead – capability for Y Start-Delta Run
363. Double shielded bearings with no regreasing provisions
364. Open bearings with regreasing provisions



Motors specially designed, tested and warranted to be **Corona-Free** for compatible inverter duty are marked on this page with a ⚡. See page 4 and 5 of this catalog for more Speed Engineered® motors information.



# Century® NEMA “C” Face • General Purpose Industrial Motors

## Squirrel Cage - Three Phase - Dripproof

### No Base, Rigid & Removable Base, 3600 - 1800 & 1200 RPM - 1/4 thru 20 HP

#### Features:

- Double Sealed Ball Bearing
- Reversible
- 60 HZ
- 40°C Ambient



#### Applications:

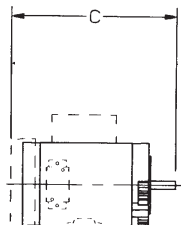
Designed for industrial and commercial pumps, speed reducers and other equipment that mounts directly on a NEMA “C” Face type motor.

HP	RPM	Volts	Full Load Amps	Service Factor	Frame	Stock Number	Bearings	Base/ Mounting	Insul Class	Shaft	“C” Dim.	Notes
1/4	1140	200-230/460	1.3-1.2/1.6	1.35	56C	H021	Ball	Round Frame	B	Keyed	10.1	
1/3	3450/2850	200-230/460	2.0-1.8/1.9	1.75	56C	H251	Ball	Round Frame	B	Keyed	10.5	6,48,142,267
1/3	3450/2850	200-230/460	1.3-1.4/1.7	1.75	56J	H285	Ball	Rigid Base	B	Threaded	10.3	6,12,48
1/3	3450/2850	200-230/460	1.3-1.4/1.7	1.75	56C	H284	Ball	Rigid Base	B	Keyed	9.8	6,48
1/3	1725	200-230/460	1.4-1.6/1.8	1.35	56C	H158L	Ball	Round Frame	B	Keyed		<b>New!</b>
1/3	1725	200-230/460	1.4-1.6/1.8	1.35	56J	H043	Ball	Rigid Base	B	Threaded	10.3	1,12
1/3	1725	200-230/460	1.4-1.6/1.8	1.35	56J	H043L	Ball	Rigid Base	B	Threaded		<b>New!</b>
1/3	1140	200-230/460	1.8-1.6/1.8	1.35	56C	H024	Ball	Rigid Base	B	Keyed	11.1	
1/2	3450/2850	208-230/460	2.6-2.6/1.3	1.60	56C	H254	Ball	Round Frame	B	Keyed	10.5	6,48,142,267
1/2	3450/2850	200-230/460	1.8-2.0/1.0	1.60	56J	H438	Ball	Rigid Base	B	Threaded	10.3	6,12,48
1/2	3450/2850	200-230/460	1.8-2.0/1.0	1.60	56C	H286	Ball	Rigid Base	B	Keyed	9.8	6,48
1/2	1725	200-230/460	1.8-2.2/1.1	1.25	56C	H358	Ball	Round Frame	B	Keyed	9.8	
1/2	1725	200-230/460	1.8-2.0/1.0	1.25	56C	H358L	Ball	Round Frame	B	Keyed	10.7	<b>New!</b>
1/2	1725	200-230/460	1.8-2.2/1.1	1.25	56J	H044	Ball	Rigid Base	B	Threaded	10.3	1,12
1/2	1725	200-230/460	1.8-2.0/1.0	1.25	56J	H044L	Ball	Rigid Base	B	Threaded	10.3	<b>New!</b>
1/2	1140	200-230/460	2.0-1.9/1.95	1.25	56C	H025	Ball	Round Frame	B	Keyed	11.1	
1/2	1140	200-230/460	2.0-1.9/1.95	1.25	56C	H026	Ball	Rigid Base	B	Keyed	11.1	
3/4	3450/2850	208-230/460	3.4-3.4/1.7	1.50	56C	H508	Ball	Round Frame	B	Keyed	11.3	6,48,142,267
3/4	3450/2850	200-230/460	2.4-2.8/1.4	1.50	56J	H477	Ball	Rigid Base	B	Threaded	11.6	6,12,48
3/4	3450/2850	200-230/460	2.4-2.8/1.4	1.50	56C	H476	Ball	Rigid Base	B	Keyed	11.1	6,48
3/4	1725	200-230/460	2.7-2.8/1.4	1.25	56C	H379A	Ball	Round Frame	B	Keyed	10.1	<b>New!</b>
3/4	1725	200-230/460	2.7-2.8/1.4	1.25	56C	H585A	Ball	Rigid Base	B	Keyed	10.1	<b>New!</b>
3/4	1725	200-230/460	2.7-2.8/1.4	1.25	56J	H045A	Ball	Rigid Base	B	Threaded	10.6	<b>New!</b>
3/4	1140	200-230/460	4.0-4.0/2.0	1.25	56C	H027	Ball	Round Frame	B	Keyed	11.1	
3/4	1140	200-230/460	4.0-4.0/2.0	1.25	56C	H028	Ball	Rigid Base	B	Keyed	11.1	
1	3450/2850	208-230/460	4.3-4.0/2.0	1.40	56C	H511	Ball	Round Frame	B	Keyed	11.3	6,48,142,267
1	3450/2850	200-230/460	3.2-3.2/1.6	1.40	56J	H584	Ball	Rigid Base	B	Threaded	11.6	6,12,48
1	3450/2850	200-230/460	3.2-3.2/1.6	1.40	56C	H583	Ball	Rigid Base	B	Keyed	11.1	6,48
1	1725	200-230/460	3.4-3.6/1.8	1.25	56C	H258L	Ball	Round Frame	B	Keyed		<b>New!</b>
1	1725	200-230/460	3.4-3.6/1.7	1.25	56J	H046	Ball	Rigid Base	B	Threaded	11.6	1,12
1	1725	200-230/460	3.6-3.6/1.8	1.25	56J	H046L	Ball	Rigid Base	B	Threaded	11.6	<b>New!</b>
1 1/2	3450/2850	208-230/460	5.8-5.6/2.8	1.30	56C	H609	Ball	Round Frame	B	Keyed	11.8	6,48,142,267
1 1/2	3450/2850	200-230/460	4.7-4.4/2.2	1.30	56J	H663	Ball	Rigid Base	B	Threaded	11.6	6,12,48
1 1/2	3450/2850	200-230/460	4.7-4.4/2.2	1.30	56C	H662	Ball	Rigid Base	B	Keyed	11.1	6,48
1 1/2	1725	200-230/460	5.3-5.6/2.8	1.20	56C	H930L	Ball	Round Frame	B	Keyed	11.9	<b>New!</b>
1 1/2	1725	200-230/460	5.3-5.6/2.8	1.20	56J	H047L	Ball	Rigid Base	B	Threaded	12.5	<b>New!</b>

#### Notes:

1. Item to be discontinued when stock is depleted
- 6.60/50 Hz
12. 303 Stainless steel shaft
48. 1.0 Service factor at 50 HZ
142. Service factor amps
267. 50 HZ - 1.0 service factor, 190/380 volt

Published efficiency on tri-voltage rated motors applies at 230/460 volts. Performance at 200 or 208 volts may not be in accordance with NEMA standards.



# Century® NEMA “C” Face • General Purpose Industrial Motors

## Squirrel Cage - Three Phase - Dripproof

### No Base, Rigid & Removable Base, 3600 - 1800 & 1200 RPM - 1/4 thru 7 1/2 HP

#### Features:

- Double Sealed Ball Bearings
- Reversible
- 60 HZ
- 40°C Ambient



#### Applications:

Designed for industrial and commercial pumps, speed reducers and other equipment that mounts directly on a NEMA “C” Face type motor.

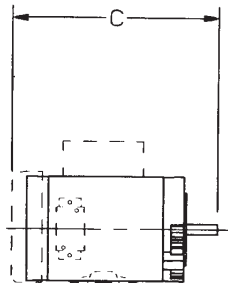
**Not** for outdoor use – Horizontal mount only.

HP	RPM	Volts	Full Load Amps	Service Factor	Frame	Stock Number	Bearings	Base/ Mounting	Insul Class	Shaft	“C” Dim.	Notes
2	3450/2850	200-230/460	6.8-6.6/3.3	1.20	56C	H612	Ball	Round Frame	B	Keyed	12.3	6,48,142,267
2	3450/2850	200-230/460	6.0-5.5/2.75	1.20	56J	H712	Ball	Rigid Base	B	Threaded	12.0	6,12,48
2	3450/2850	200-230/460	6.0-5.5/2.75	1.20	56C	H711	Ball	Rigid Base	B	Keyed	11.4	6,48
2	1725	200-230/460	6.3-6.4/3.2	1.20	56C	H710	Ball	Round Frame	B	Keyed	12.2	1
2	1725	200-230/460	6.3-6.4/3.2	1.20	56C	H710L	Ball	Round Frame	B	Keyed		<b>New!</b>
3	3450	200-230/460	9.8-9.6/4.8	1.15	56C	H736	Ball	Round Frame	B	Keyed	12.3	
3	3450	200-230/460	9.0-8.6/4.3	1.15	56J	H743	Ball	Rigid Base	B	Threaded	12.7	12
3	3450	200-230/460	9.0-8.6/4.3	1.15	56C	H742	Ball	Rigid Base	B	Keyed	12.2	
3	1800	200-230/460	9.4-8.6/4.3	1.15	182TC	E2004	Ball	None	B	Keyed	14.4	16, \$
5	3490	200-230/460	13.2-12.4/6.2	1.15	182TC	E2005	Ball	Rigid Base	F	Keyed	15.4	1,16,\$
5	1800	200-230/460	15.3-12.8/6.4	1.15	184TC	E2006	Ball	None	F	Keyed	14.4	16,\$
7 1/2	3470	230/460	17.8/8.9	1.15	184TC	E2008	Ball	Rigid Base	F	Keyed	15.4	1

#### Notes:

- \$ Energy Efficient \$
- 1. Item to be discontinued when stock is depleted
- 6. 60/50 Hz
- 12. 303 Stainless steel shaft
- 16. \$ E-Plus® energy efficient motors complying with E-Plus
- 48. 1.0 Service factor at 50 HZ
- 142. Service factor amps
- 267. 50 HZ - 1.0 service factor, 190/380 volt

Published efficiency on tri-voltage rated motors applies at 230/460 volts.  
Performance at 200 or 208 volts may not be in accordance with NEMA standards.





# Three Phase ODP Motors

## Features:

- Ball Bearings
- Continuous Duty
- Dripproof
- Squirrel Cage
- Energy Efficient \$
- Inverter Duty Motors  
NEMA Design B
- Standard, EPA  $\text{E+}$  CC001A (E-Plus® motors) and Premium (E-Plus® 3 motors) Efficiency
- 40°C Ambient
- 60 Hz
- E-Plus® Motors meet the requirements of the Energy Policy Act of 1992. E-Plus® 3 motors exceed the requirements of the Energy Policy Act of 1992. **E+3(NP) is NEMA Premium Efficient.**



**Applications:** Pumps, fans, compressors, conveyors.

HP	RPM	Volts	Full Load Amps	Service Factor	Frame	Stock Number	Type	Insul. Class	Protector	Rotation	"C" Dim.	Notes
1/4	1140	200-230/460	1.3-1.2/1.6	1.35	56	H204		B	None	RCC	10.1	
1/3	1725	200-230/460	1.4-1.6/1.8	1.35	56	H262L		B	None	RCC	10.2	
1/3	1140	200-230/460	1.8-1.6/1.8	1.35	56	H267		B	None	RCC	11.1	
1/2	3450	200-230/460	1.9-1.8/1.9	1.60	56	H437		B	None	RCC	9.8	
1/2	1725	200-230/460	1.8-2.0/1.0	1.25	56	H273L		B	None	RCC	10.7	New!
1/2	1725	460/200-230	1.5/2.5-3.0	1.25	56	H880L		B	Auto	RCC	12.2	New!
1/2	1725	575	0.88	1.25	56	H991L		B	None	RCC	10.2	New!
1/2	1140	200-230/460	2.0-1.9/1.95	1.25	56	H279		B	None	RCC	11.1	
3/4	3450	200-230/460	2.6-2.4/1.2	1.50	56	H377		B	None	RCC	11.1	
3/4	1725	200-230/460	3.4/1.7	1.25	56	OB3075		B	None	REV	11.3	6
3/4	1725	200-230/460	2.7-2.8/1.4	1.25	56	H581A		B	None	RCC	10.1	New!
3/4	1725	460/200-230	1.7/2.9-3.4	1.25	56	H881		B	Auto	REV	12.2	151
3/4	1725	575	1.0	1.25	56	H992L		B	None	CW	10.4	New!
3/4	1140	200-230/460	4.0-4.0/2.0	1.25	56	H467		B	None	RCC	11.1	
1	3450	200-230/460	3.2-3.0/1.5	1.40	56	H602		B	None	RCC	11.1	
1	1800	200	3.75	1.15	143T	T33026E	E+3(NP)	B	None	CCW		New!
1	1725	200-230/460	4.0/2.0	1.15	56	OB3104		B	None	REV	11.3	6
1	1725	200-230/460	3.4-3.6/1.8	1.25	56H	H614L		B	None	RCC	12.2	New!
1	1750	230/460	3.2/1.6	1.15	143T	T35026E	E+3(NP)	F	None	CCW	11.7	New!
1	1725	460/200-230	2.0/3.7-4.0	1.15	56H	H882L		B	Auto	RCC	12.7	New!
1	1725	460/200-230	1.9/3.5-3.8	1.15	56HZ	H883L		B	Auto	RCC	12.6	15, New!
1	1725	575	1.4	1.25	56	H993L		B	None	RCC	11.1	New!
1	1750	575	1.3	1.15	143T	T37026E	E+3(NP)	F	None	CCW		New!
1	1140	200-230/460	4.0-3.8/1.9	1.25	56	H526		B	None	RCC	11.4	
1	1140	230/460	3.6/1.8	1.15	145T	T35051E	E+3(NP)	F	None	CCW	11.7	New!

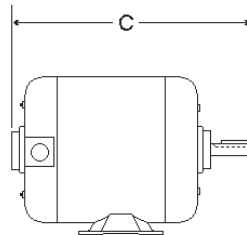
## Notes:

- 6. 60/50 Hertz
- 15. 56HZ = 7/8" x 2-5/16" shaft
- 151. Quick Connect Design Bracket, Auto Overload Protector

Published efficiency on tri-voltage rated motors applies at 230/460 volts. Performance at 200 volts may not be in accordance with NEMA standards. Published efficiency on 200-208 volt motors applies at 200 volts.



Motors specially designed, tested and warranted to be **Corona-Free** for compatible inverter duty are marked on this page with a  $\text{E+}$ . See page 4 and 5 of this catalog for more Speed Engineered® motors information.



## Features:

- Ball Bearings
- Continuous Duty
- Dripproof
- Squirrel Cage
- 40°C Ambient
- 60 Hz
- NEMA Design B
- Standard, EPA<sup>cc</sup> CC001A (E-Plus<sup>®</sup> motors) and Premium (E-Plus<sup>®</sup> 3 motors) Efficiency \$
- E-Plus<sup>®</sup> Motors meet the requirements of the Energy Policy Act of 1992. E-Plus<sup>®</sup> 3 motors exceed the requirements of the Energy Policy Act of 1992. **E+3(NP) is NEMA Premium Efficient.**



**Applications:** Pumps, fans, compressors, conveyors.

HP	RPM	Volts	Full Load Amps	Service Factor	Frame	Stock Number	Type	Insul. Class	Protector	Rotation	"C" Dim.	Notes
1 1/2	3500	230/460	4.2/2.1	1.15	143T	<b>T35002E</b> ⚡	E+3(NP)	F	None	CCW	11.7	<b>New!</b>
1 1/2	3450	200-230/460	4.2-4.0/2.0	1.15	143T	<b>E1010</b> ⚡	E+	B	None	RCC	13.1	1
1 1/2	3450	460/200-230	2.3/4.7-4.6	1.30	56H	<b>H756</b>		B	Auto	RCC	12.9	35
1 1/2	1745	200	4.5	1.15	145T	<b>E104L</b> ⚡	E+	B	None	RCC	13.8	<b>New!</b>
1 1/2	1800	200	5.3	1.15	145T	<b>T33027E</b> ⚡	E+3(NP)	B	None	CCW	11.7	<b>New!</b>
1 1/2	1725	200-230/460	6.2/3.1	1.20	56H	<b>OB3154</b>		B	None	REV	12.3	6
1 1/2	1725	200-230/460	5.3-5.6/2.8	1.20	56H	<b>H534L</b>		B	None	RCC	12.2	<b>New!</b>
1 1/2	1745	230/460	4.2/2.1	1.15	145T	<b>R110</b>		B	Auto	RCC	12.6	1
1 1/2	1740	230/460	4.6/2.3	1.15	145T	<b>T35027E</b> ⚡	E+3(NP)	F	None	CCW	11.7	<b>New!</b>
1 1/2	1725	460/200-230	2.8/5.0-5.6	1.15	56H	<b>H884L</b>		B	Auto	RCC	12.9	<b>New!</b>
1 1/2	1725	460/200-230	2.8/5.0-5.6	1.15	56HZ	<b>H885L</b>		B	Auto	RCC	12.9	<b>New!</b>
1 1/2	1725	575	2.0	1.20	56HZ	<b>H951V1</b>		B	Auto	RCC	13.1	15, <b>New!</b>
1 1/2	1740	575	1.85	1.15	145T	<b>T37027E</b> ⚡	E+3(NP)	B	None	CCW	11.7	<b>New!</b>
1 1/2	1180	230/460	5.4/2.7	1.15	182T	<b>E206</b> ⚡	E+3(NP)	F	None	REV	14.1	
2	3450	460/200-230	2.9/6.0-5.8	1.20	56H	<b>BR3202L</b>		B	Auto	RCC	13.9	
2	3490	230/460	5.0/2.5	1.15	145T	<b>T35003E</b> ⚡	E+3(NP)	F	None	CCW	11.7	<b>New!</b>
2	1725	230/460	6.6	1.15	145T	<b>T33028E</b> ⚡	E+3(NP)	F	None	CCW	11.7	<b>New!</b>
2	1725	208-230/460	7.0/3.5	1.15	56H	<b>OB3204</b>		B	None	REV	12.3	6
2	1725	200-230/460	7.4/3.7	1.15	56HZ	<b>OB3204V1</b>		B	None	REV	13.2	6,15
2	1725	200-230/460	6.4-6.4/3.2	1.15	56H	<b>H181L</b>		B	None	RCC	12.7	<b>New!</b>
2	1725	230/460	5.8/2.9	1.15	145T	<b>T35028E</b> ⚡	E+3(NP)	F	None	CCW	11.7	<b>New!</b>
2	1725	460/200-230	3.5/6.6-7.0	1.15	56HZ	<b>H886L</b>		B	Auto	RCC	13.8	<b>New!</b>
2	1725	460/200-230	3.5/6.6-7.0	1.15	56H	<b>H1045</b>		B	Auto	RCC	13.9	1
2	1725	460/200-230	3.4/6.6-6.8	1.15	56H	<b>H1045L</b>		B	Auto	RCC	13.9	<b>New!</b>
2	1725	575	2.6	1.20	56HZ	<b>H953V1</b>		B	Auto	RCC	13.1	<b>New!</b>
2	1725	575	2.6	1.20	56	<b>H965V1</b>		B	None	RCC	12.2	<b>New!</b>
2	1745	575	2.08	1.15	145T	<b>E1008</b> ⚡	E+	B	None	RCC	13.8	1
2	1725	230/460	2.3	1.15	145T	<b>T37028E</b> ⚡	E+3(NP)	F	None	CCW	11.7	<b>New!</b>
2	1170	230/460	6.6/3.3	1.15	184T	<b>E207V1</b> ⚡	E+3(NP)	F	None	REV	13.7	

## Notes:

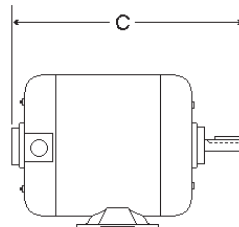
1. Item to be discontinued when stock is depleted
6. 60/50 Hz
15. 56 HZ = 7/8" x 2-5/16" shaft
35. Quick Connect Design Bracket

Published efficiency on tri-voltage rated motors applies at 230/460 volts. Performance at 200 or 208 volts may not be in accordance with NEMA standards. Published efficiency on 200-208 volt motors applies at 200 volts.


Continues on next page



Motors specially designed, tested and warranted to be **Corona-Free** for compatible inverter duty are marked on this page with a ⚡. See page 4 and 5 of this catalog for more Speed Engineered<sup>®</sup> motors information.



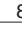
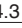
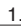
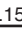








## Features:

- Ball Bearings
- Continuous Duty
- Energy Efficient \$
- Dripproof
- NEMA Design B
- Rigid Base
- Squirrel Cage
- Standard, E Pact  CC001A (E-Plus® motors) and Premium (E-Plus® 3 motors) Efficiency
- 40°C Ambient
- 60 Hz
- E-Plus® Motors meet the requirements of the Energy Policy Act of 1992. E-Plus® 3 motors exceed the requirements of the Energy Policy Act of 1992. **E+3(NP) is NEMA Premium Efficient.**



**Applications:** Pumps, fans, compressors, conveyors.

HP	RPM	Volts	Full Load Amps	Service Factor	Frame	Stock Number	Type	Insul. Class	Protector	"C" Dim.	Efficiency	Notes
3	3470	230/460	7.4/3.7	1.15	145T	<b>T35004E</b> 	E+3(NP)	F	None	11.7	85.5	8, <b>New!</b>
3	3450	460/200-230	4.3/9.0-8.6	1.15	56HZ	<b>H757</b>		B	Auto	13.8		15,35
3	1765	200	9.8	1.15	182T	<b>E202M</b> 	E+	F	None	13.7	86.5	
3	1760	200	8.9	1.15	182T	<b>E216V1</b> 	E+3(NP)	F	None	13.7	89.5	
3	1725	200-208	8.9-8.9	1.15	56HZ	<b>H518L</b>		B	None			<b>New!</b>
3	1765	230/460	8.6/4.3	1.15	182T	<b>E217V1</b> 	E+3(NP)	F	None	13.7	89.5	
3	1725	460/200-230	4.4/9.0-8.8	1.15	56HZ	<b>H887L</b>		F	Auto	14.6		15, <b>New!</b>
3	1725	460/230	4.6/9.2	1.15	56HZ	<b>H539L</b>		B	None	14.6		15, <b>New!</b>
3	1725	575	3.7	1.15	56HZ	<b>H955L</b>		B	Auto	14.9		15, <b>New!</b>
3	1765	575	3.4	1.15	182T	<b>E923</b> 	E+3(NP)	B	None	13.7	89.5	
3	1170	230/460	9.3/4.65	1.15	213T	<b>E394</b> 	E+3(NP)	F	None	16.6	89.0	
5	3520	230/460	11.6/5.8	1.15	182T	<b>E204</b> 	E+3(NP)	F	None	14.6	91.0	
5	3450	460/208-230	6.6/13.4-13.2	1.15	56HZ	<b>H847</b>		B	Auto	15.1		15
5	3450	575	5.4	1.15	56HZ	<b>H956</b>		B	Auto	15.1		15
5	1745	200	14.8	1.15	184T	<b>E203M</b> 	E+	F	None	13.7	87.5	
5	1760	200	15.7	1.15	184T	<b>E218</b> 	E+3(NP)	F	None	13.7	89.5	
5	1760	230/460	13.6/6.8	1.15	184T	<b>E219</b> 	E+3(NP)	F	None	13.7	89.5	
5	1760	575	5.4	1.15	184T	<b>E924</b> 	E+3(NP)	F	None	13.7	89.5	
5	1170	230/460	15.2/7.6	1.15	215T	<b>E395</b> 	E+3(NP)	F	None	17.6	89.5	


**Notes:**

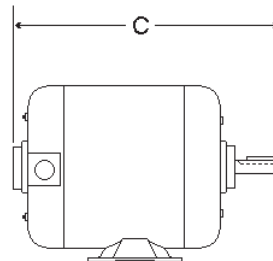
- 8. NEMA design A
- 15. 56 HZ = 7/8" x 2-5/16" shaft
- 35. Quick Connect design bracket

Published efficiency on tri-voltage rated motors applies at 230/460 volts.  
 Performance at 200 or 208 volts may not be in accordance with NEMA standards.  
 Published efficiency on 200-208 volt motors applies at 200 volts.

Continues on next page



Motors specially designed, tested and warranted to be **Corona-Free** for compatible inverter duty are marked on this page with a . See page 4 and 5 of this catalog for more Speed Engineered® motors information.



# Three Phase ODP Motors

Continued from previous page

## Features:

- Ball Bearings
- Continuous Duty
- Dripproof
- Squirrel Cage
- Energy Efficient \$
- Rigid Base
- Standard, EPA Act (E+ motors) and Premium (E-Plus 3 motors) Efficiency
- 40°C Ambient
- 60 Hz
- NEMA Design B
- E-Plus® Motors meet the requirements of the Energy Policy Act of 1992. E-Plus® 3 motors exceed the requirements of the Energy Policy Act of 1992. **E+3(NP) is NEMA Premium Efficient.**



E205

**Applications:** Pumps, fans, compressors, conveyors.

HP	RPM	Volts	Full Load Amps	Service Factor	Frame	Stock Number	Type	Insul. Class	Protector	"C" Dim.	Efficiency	Notes
7 1/2	3490	230/460	17.2/8.6	1.15	184T	E205 ⚡	E+3(NP)	F	None	15.6	90.2	
7 1/2	1745	200	22.3	1.15	213T	E302M ⚡	E+	F	None	17.5	88.5	
7 1/2	1760	200	22.3	1.15	213T	E316 ⚡	E+3(NP)	F	None	17.5	91.7	8
7 1/2	1760	230/460	19.4/9.7	1.15	213T	E317 ⚡	E+3(NP)	F	None	17.5	91.7	8
7 1/2	1750	575	7.5	1.15	213T	E925 ⚡	E+3(NP)	F	None	17.5	91.0	
7 1/2	1175	230/460	21.0/10.5	1.15	254T	E496 ⚡	E+3(NP)	F	None	22.4	90.2	
10	3520	230/460	22.0/11.0	1.15	213T	E392 ⚡	E+3(NP)	F	None	16.8	91.7	
10	1745	200	30.8	1.15	215T	E303 ⚡	E+	F	None	17.3	89.5	8
10	1755	200	29.0	1.15	215T	E331 ⚡	E+3(NP)	F	None	17.5	91.7	8
10	1755	230/460	25.2/12.6	1.15	215T	E397 ⚡	E+3(NP)	F	None	17.3	91.7	8
10	1755	575	10.1	1.15	215T	E926 ⚡	E+3(NP)	F	None	17.3	91.7	8
10	1740	575	10.3	1.15	215T	E325 ⚡	E+3(NP)	F	None	17.3	89.5	
10	1175	230/460	27.4/13.7	1.15	256T	E497 ⚡	E+3(NP)	F	None	23.9	91.7	
15	3500	230/460	32.8/16.4	1.15	215T	E393 ⚡	E+3(NP)	F	None	17.5	91.7	
15	1750	200	42.2	1.15	254T	E454V1 ⚡	E+	F	None	22.1	91.0	
15	1770	200	43.4	1.15	254T	E450 ⚡	E+3(NP)	F	None	22.1	93.0	
15	1770	230/460	37.8/18.9	1.15	254T	E451 ⚡	E+3(NP)	F	None	22.1	93.0	
15	1770	575	15.1	1.15	254T	E927 ⚡	E+3(NP)	F	None	22.1	93.0	
15	1165	200-230/460	47.5-42.0/21.0	1.15	284T	E511 ⚡	E+	F	None	24.2	90.2	1
15	1170	230/460	43.0/21.5	1.15	284T	E586M ⚡	E+3(NP)	F	None	24.3	91.7	

## Notes:

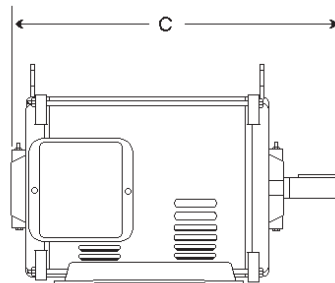
1. To be discontinued when stock is depleted
8. NEMA Design A

Performance at 200 or 208 volts may not be in accordance with NEMA standards.




Motors specially designed, tested and warranted to be **Corona-Free** for compatible inverter duty are marked on this page with a ⚡. See page 4 and 5 of this catalog for more Speed Engineered® motors information.

Continues on next page



## Features:

- Ball Bearings
- Continuous Duty
- Dripproof
- Squirrel Cage
- Energy Efficient \$
- Rigid Base
- Standard, EPAact  CC001A (E-Plus® motors) and Premium (E-Plus® 3 motors) Efficiency
- 40°C Ambient
- 60 Hz
- NEMA Design B
- E-Plus® Motors meet the requirements of the Energy Policy Act of 1992. E-Plus® 3 motors exceed the requirements of the Energy Policy Act of 1992. **E+3(NP) is NEMA Premium Efficient.**



E494

**Applications:** Pumps, fans, compressors, conveyors.

HP	RPM	Volts	Full Load Amps	Service Factor	Frame	Stock Number	Type	Insul. Class	Cast Iron	“C” Dim.	Efficiency	Notes
20	3535	230/460	48.0/24.0	1.15	254T	E494 ☼	E+3(NP)	F		22.1	91.0	23
20	1745	200	57.0	1.15	256T	E456 ☼	E+	F		22.1	91.0	
20	1765	200	57.0	1.15	256T	E452 ☼	E+3(NP)	F		22.1	93.6	
20	1765	230/460	49.0/24.5	1.15	256T	E407 ☼	E+3(NP)	F		22.1	93.6	23
20	1770	575	19.6	1.15	256T	E928 ☼	E+3(NP)	F		22.1	93.0	
20	1175	230/460	51.6/25.8	1.15	286T	T35059 ☼	E+3(NP)	F	√	25.3	92.4	11
25	3530	230/460	57.0/28.5	1.15	256T	E495 ☼	E+3(NP)	F		22.1	91.7	23
25	1740	200	69.8	1.15	284T	E545 ☼	E+	F		24.3	91.7	
25	1765	200	70.0	1.15	284T	E513 ☼	E+3(NP)	F		24.2	93.6	
25	1765	230/460	61.0/30.5	1.15	284T	E514 ☼	E+3(NP)	F		24.3	93.6	23
25	1765	575	24.5	1.15	284T	E929 ☼	E+3(NP)	F		24.3	93.6	
25	1175	230/460	61.0/30.5	1.15	324T	T35060 ☼	E+3(NP)	F	√	26.3	93.0	11,362,364
30	3535	230/460	69.0/34.5	1.15	284TS	E584 ☼	E+3(NP)	F		22.9	91.7	23
30	1760	200	86.5	1.15	286T	E547 ☼	E+	F		24.3	92.4	
30	1770	200	82.2	1.15	286T	E515V2 ☼	E+3(NP)	F		25.8	94.1	
30	1765	230/460	73.2/36.6	1.15	286T	E516V2 ☼	E+3(NP)	F		25.8	94.1	
30	1770	575	28.5	1.15	286T	E930V1 ☼	E+3(NP)	F		25.8	94.1	
30	1175	230/460	71.4/35.7	1.15	326T	T35061 ☼	E+3(NP)	F	√	27.8	93.6	362,364

**Notes:**

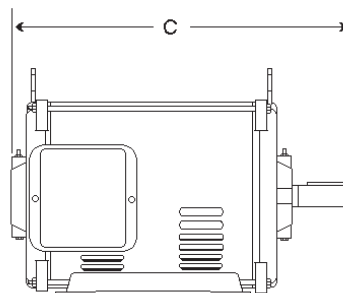
- 11. C Flange kit available
- 23. Suitable for 200/400 volt and 50HZ
- 362. 12 lead - capability for Y Start-Delta Run
- 364. Open bearings with regreasing provisions

Published efficiency on tri-voltage rated motors applies at 230/460 volts. Performance at 200 or 208 volts may not be in accordance with NEMA standards.

Continues on next page




Motors specially designed, tested and warranted to be **Corona-Free** for compatible inverter duty are marked on this page with a ☼. See page 4 and 5 of this catalog for more Speed Engineered® motors information.



# Three Phase ODP Motors

Continued from previous page

## Features:

- Ball Bearings
- Continuous Duty
- Dripproof
- Squirrel Cage
- Energy Efficient \$
- Rigid Base
- Standard, EPA Act  CC001A (E-Plus® motors) and Premium (E-Plus® 3 motors) Efficiency
- 40°C Ambient
- 60 Hz
- NEMA Design B
- E-Plus® Motors meet the requirements of the Energy Policy Act of 1992. E-Plus® 3 motors exceed the requirements of the Energy Policy Act of 1992. **E+3(NP) is NEMA Premium Efficient.**



E607R

**Applications:** Pumps, fans, compressors, conveyors.

HP	RPM	Volts	Full Load Amps	Service Factor	Frame	Stock Number	Type	Insul. Class	Cast Iron	"C" Dim.	Efficiency	Notes
40	3540	230/460	90.0/45.0	1.15	286TS	E585 ⚡	E+3(NP)	F		22.9	92.4	23
40	1760	200	113.0	1.15	324T	E608R ⚡	E+	F		26.8	93.0	
40	1770	230/460	97.0/48.5	1.15	324T	T35037 ⚡	E+3(NP)	F	√	26.3	94.1	11,362,364
40	1770	200	111.6	1.15	324T	T33037 ⚡	E+3(NP)	F	√	26.3	94.1	11,362,364
40	1770	575	38.8	1.15	324T	T37037 ⚡	E+3(NP)	F	√	26.3	94.1	11,362,364
40	1180	230/460	98.4/49.2	1.15	364T	T35062 ⚡	E+3(NP)	F	√	29.1	94.1	362,364
50	3545	230/460	118.0/59.0	1.15	324TS	T35013 ⚡	E+3(NP)	F	√	24.8	93.0	11,362,364
50	1760	200	141.0	1.15	326T	E607R ⚡	E+	F		28.3	93.0	
50	1780	230/460	116.0/58.0	1.15	326TS	TS35038 ⚡	E+3(NP)	F	√	26.3		8, New!
50	1770	200	139.2	1.15	326T	T33038 ⚡	E+3(NP)	F	√	27.8	94.5	11,364,365
50	1770	230/460	121.0/60.5	1.15	326T	T35038 ⚡	E+3(NP)	F	√	37.8	94.5	11,362,364
50	1770	575	40.0	1.15	326T	T37038 ⚡	E+3(NP)	F	√	27.8	94.5	11,364,365
50	1180	230/460	123.0/61.5	1.15	365T	T35063 ⚡	E+3(NP)	F	√	30.1	94.1	362,364

## Notes:

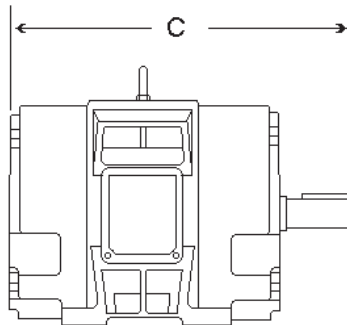
- 8. NEMA Design A
- 11. C Flange kit available
- 23. Suitable for 200/400 volt and 50HZ
- 362. 12 lead - capability for Y Start-Delta Run
- 364. Open bearings with regreasing provisions
- 365. 3 leads

Continues on next page




Motors specially designed, tested and warranted to be **Corona-Free** for compatible inverter duty are marked on this page with a ⚡. See page 4 and 5 of this catalog for more Speed Engineered® motors information.

Performance at 200 or 208 volts may not be in accordance with NEMA standards.  
Published efficiency on 200-208 volt motors applies at 200 volts.















## Features:

- Ball Bearings
- Continuous Duty
- Dripproof
- Squirrel Cage
- Energy Efficient \$
- Rigid Base
- Standard, EPAct  CC001A (E-Plus® motors) and Premium (E-Plus® 3 motors) Efficiency
- 40°C Ambient
- 60 Hz
- NEMA Design B
- E-Plus® Motors meet the requirements of the Energy Policy Act of 1992. E-Plus® 3 motors exceed the requirements of the Energy Policy Act of 1992. **E+3(NP) is NEMA Premium Efficient.**



T35040

**Applications:** Pumps, fans, compressors, conveyors.

HP	RPM	Volts	Full Load Amps	Service Factor	Frame	Stock Number	Type	Insul. Class	Cast Iron	"C" Dim.	Efficiency	Notes
60	3555	230/460	140.0/70.0	1.15	326TS	T35014 	E+3(NP)	F	√	26.3	93.6	11,362,364
60	1775	230/460	142.0/71.0	1.15	364TS	TS17039 	E+3(NP)	F	√	26.3	95.0	362,364
60	1775	200	163.3	1.15	364T	T33039 	E+3(NP)	F	√	29.1	95.0	364,366
60	1775	230/460	142.0/71.0	1.15	364T	T35039 	E+3(NP)	F	√	29.1	95.0	362,364
60	1775	575	57.0	1.15	364T	T37039 	E+3(NP)	F	√	29.1	95.0	364,366
60	1185	230/460	146.0/73.0	1.15	404T	T35064 	E+3(NP)	F	√	33.1	94.5	362,364
75	3560	230/460	170.0/85.0	1.15	364TS	T35015 	E+3(NP)	F	√	27.0	93.6	362,364
75	1775	230/460	176.0/88.0	1.15	365TS	TS17040 	E+3(NP)	F	√	28.0	95.0	362,364
75	1775	200	202.4	1.15	365T	T33040 	E+3(NP)	F	√	30.1	95.0	364,366
75	1775	230/460	176.0/88.0	1.15	365T	T35040 	E+3(NP)	F	√	30.1	95.0	362,364
75	1775	575	70.0	1.15	365T	T37040 	E+3(NP)	F	√	30.1	95.0	364,366
75	1185	230/460	184.0/92.0	1.15	405T	T35065 	E+3(NP)	F	√	34.6	94.5	362,364


**Notes:**

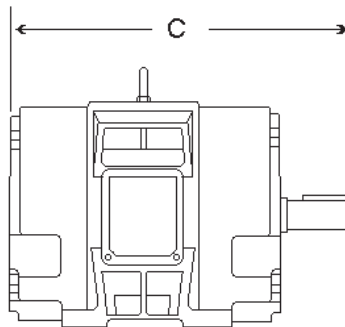
- 11. C Flange kit available
- 362. 12 lead - capability for Y Start-Delta Run
- 364. Open bearings with regreasing provisions
- 366. 6 leads

Performance at 200 or 208 volts may not be in accordance with NEMA standards.

Continues on next page




Motors specially designed, tested and warranted to be **Corona-Free** for compatible inverter duty are marked on this page with a . See page 4 and 5 of this catalog for more Speed Engineered® motors information.



# Three Phase ODP Motors

Continued from previous page

## Features:

- Ball Bearings
- Continuous Duty
- Dripproof
- Squirrel Cage
- Energy Efficient \$
- Rigid Base
- Standard, EPAact  CC001A (E-Plus® motors) and Premium (E-Plus® 3 motors) Efficiency
- 40°C Ambient
- 60 Hz
- NEMA Design B
- E-Plus® Motors meet the requirements of the Energy Policy Act of 1992. E-Plus® 3 motors exceed the requirements of the Energy Policy Act of 1992. **E+3(NP) is NEMA Premium Efficient.**



T33041

**Applications:** Pumps, fans, compressors, conveyors.

HP	RPM	Volts	Full Load Amps	Service Factor	Frame	Stock Number	Type	Insul. Class	Cast Iron	"C" Dim.	Efficiency	Notes
100	3565	230/460	226.0/113.0	1.15	365TS	<b>T35016</b> ⚡	E+3(NP)	F	✓	28.0	93.6	362,364
100	1775	200	264.5	1.15	404T	<b>T33041</b> ⚡	E+3(NP)	F	✓	33.1	95.4	364,366
100	1775	230/460	234.0/117.0	1.20	404TS	<b>TS14041</b> ⚡	E+	F	✓	30.1	94.1	1,8362,364
100	1775	230/460	230.0/115.0	1.15	404TS	<b>TS17041</b> ⚡	E+3(NP)	F	✓	30.1	95.4	362,364
100	1775	230/460	230.0/115.0	1.15	404T	<b>T35041</b> ⚡	E+3(NP)	F	✓	33.1	95.4	362,364
100	1775	575	92.0	1.15	404T	<b>T37041</b> ⚡	E+3(NP)	F	✓	33.1	95.4	364,366
100	1185	230/460	240.0/120.0	1.15	444T	<b>T35066</b> ⚡	E+3(NP)	F	✓	37.7	95.0	362,364
125	3560	230/460	284.0/142.0	1.15	404TS	<b>T35017</b> ⚡	E+3(NP)	F	✓	30.1	94.1	362,364
125	1775	230/460	287.0/143.5	1.15	405TS	<b>TS17042</b> ⚡	E+3(NP)	F	✓	31.6	95.4	362,364
125	1775	230/460	287.0/143.5	1.15	405T	<b>T35042</b> ⚡	E+3(NP)	F	✓	34.6	95.4	362,364
125	1775	575	116.0	1.15	405T	<b>T26042</b> ⚡	E+	F	✓	34.6	94.5	364,366
125	1775	575	115.0	1.15	405T	<b>T37042</b> ⚡	E+3(NP)	F	✓	34.6	95.4	364,366
125	1185	230/460	303.0/151.5	1.15	445T	<b>T35067</b> ⚡	E+3(NP)	F	✓	39.7	95.0	362,364

## Notes:

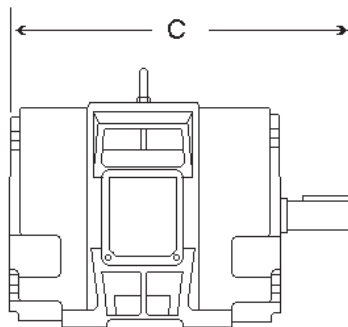
1. To be discontinued when stock is depleted
8. NEMA Design A
362. 12 lead - capability for Y Start-Delta Run
364. Open bearings with regreasing provisions
366. 6 leads

Continues on next page




Motors specially designed, tested and warranted to be **Corona-Free** for compatible inverter duty are marked on this page with a ⚡. See page 4 and 5 of this catalog for more Speed Engineered® motors information.

Performance at 200 or 208 volts may not be in accordance with NEMA standards.





## Features:

- Ball Bearings
- Continuous Duty
- Dripproof
- Squirrel Cage
- Energy Efficient \$
- Rigid Base
- Standard, EPAAct  CC001A (E-Plus® motors) and Premium (E-Plus® 3 motors) Efficiency
- 40°C Ambient
- 60 Hz
- NEMA Design B, unless noted
- E-Plus® Motors meet the requirements of the Energy Policy Act of 1992. E-Plus® 3 motors exceed the requirements of the Energy Policy Act of 1992. **E+3(NP) is NEMA Premium Efficient.**



TS17004

**Applications:** Pumps, fans, compressors, conveyors.

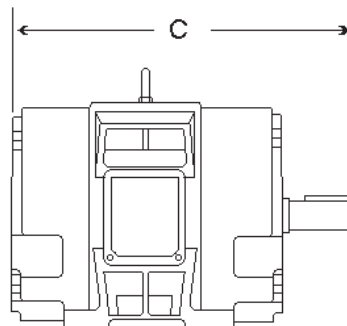
HP	RPM	Volts	Full Load Amps	Service Factor	Frame	Stock Number	Type	Insul. Class	Cast Iron	"C" Dim.	Efficiency	Notes
150	3555	230/460	338.0/169.0	1.15	405TS	<b>T35018</b> ⚡	E+3(NP)	F	√	31.6	94.1	362,364
150	1780	230/460	343.0/171.5	1.15	444TS	<b>TS17043</b> ⚡	E+3(NP)	F	√	33.9	95.8	8,364,366
150	1780	230/460	343.0/171.5	1.15	444T	<b>T35043</b> ⚡	E+3(NP)	F	√	37.7	95.8	8,362,364
150	1780	575	137.0	1.15	444T	<b>T37043</b> ⚡	E+3(NP)	F	√	37.7	95.8	364,366
150	1185	230/460	358.0/179.0	1.15	445T	<b>T35068</b> ⚡	E+3(NP)	F	√	43.2	95.4	362,364
200	3560	460	225.0	1.15	444TS	<b>T35019</b> ⚡	E+3(NP)	F	√	33.9	95.0	65,364
200	1780	460	228.0	1.15	445TS	<b>TS17044</b> ⚡	E+3(NP)	F	√	35.9	95.8	362,364
200	1780	460	228.0	1.15	445T	<b>T35044</b> ⚡	E+3(NP)	F	√	39.7	95.8	362,364
200	1780	575	182.0	1.15	445T	<b>T37044</b> ⚡	E+3(NP)	F	√	39.7	95.8	364,366
200	1185	460	238.0	1.15	447TZ	<b>T35069</b> ⚡	E+3(NP)	F	√	44.7	95.4	362,364

**Notes:**

- 8. NEMA Design A
- 65. Six lead - Wye Delta
- 362. 12 lead - capability for Y Start-Delta Run
- 364. Open bearings with regreasing provisions
- 366. 6 leads




Motors specially designed, tested and warranted to be **Corona-Free** for compatible inverter duty are marked on this page with a ⚡. See page 4 and 5 of this catalog for more Speed Engineered® motors information.








# Three Phase Totally Enclosed Motors

## Features:

- Ball Bearings
- Continuous Duty
- Squirrel Cage
- Energy Efficient \$
- Rigid Base
- No Protector
- Standard, EPAct  CC001A (E-Plus<sup>®</sup> motors) and Premium (E-Plus<sup>®</sup> 3 motors) Efficiency
- 40°C Ambient
- 60 Hz
- E-Plus<sup>®</sup> Motors meet the requirements of the Energy Policy Act of 1992. E-Plus<sup>®</sup> 3 motors exceed the requirements of the Energy Policy Act of 1992. **E+3(NP) is NEMA Premium Efficient.**



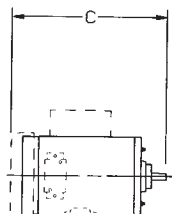
**Applications:** Pumps, fans, compressors, conveyors.

HP	RPM	Volts	Full Load Amps	Service Factor	Frame	Stock Number	Type	Insul. Class	Cast Iron	"C" Dim.	Notes
1/4	1725/1425	208-230/460	1.4-1.5/1.75	1.00	48Y	H201A		B		8.5	6,118
1/4	1140	200-230/460	1.3-1.2/1.6	1.15	56	H205		B		10.1	14
1/3	3450	200-230/460	1.3-1.4/1.7	1.15	56	H238		B		9.8	14
1/3	1725/1425	208-230/460	1.1-1.1/1.6	1.00	48Y	H261A		B		8.7	6,118
1/3	1725/1425	200-230/460	1.2-1.2/1.6	1.15	56	H263L		B		10.5	6,14, <b>New!</b>
1/3	1725	200-230/460	1.2-1.2/1.6	1.15	56	H688L		B		11.0	<b>New!</b>
1/3	1140	200-230/460	1.8-1.6/1.8	1.15	56	H268		B		11.1	14
1/3	1140	200-230/460	1.9-1.8/1.9	1.50	56	H1040		B		12.2	171,346,118
1/2	3450	200-230/460	1.9-1.8/1.9	1.15	56	H271		B		9.8	14
1/2	1725	200-230/460	1.6-1.8/1.9	1.15	56	H274V1		B		11.1	14, <b>New!</b>
1/2	1725	208-230/460	1.6-1.8/1.9	1.15	56	H868L		B		11.0	<b>New!</b>
1/2	1725	575	0.7	1.15	56	H276		B		11.1	1,14
1/2	1725	575	0.7	1.25	56	H276L		B		11.1	14, <b>New!</b>
1/2	1140	200-230/460	2.1-2.0/1.0	1.15	56	H280		B		11.1	14
1/2	1140	575	0.7	1.00	56	H249		A		11.1	14
3/4	3450	200-230/460	2.5-2.4/1.2	1.15	56	H448		B		11.1	14
3/4	1725	200-230/460	2.3-2.4/1.2	1.15	56	H580L		B		11.4	14, <b>New!</b>
3/4	1725	200-230/460	2.5-2.4/1.2	1.15	56	H869L		B		11.0	<b>New!</b>
3/4	1725	575	0.8	1.15	56	H461L		B		12.2	14, <b>New!</b>
3/4	1140	200-230/460	3.2-3.2/1.6	1.15	56	H468		B		12.2	
1	3450	200-230/460	3.2-3.0/1.5	1.15	56	H505		B		11.2	
1	3450	575	1.15	1.15	56	H517		B		11.2	
1	1740	200	3.4	1.15	143T	T55026 	E+3(NP)	F	√	13.2	11,363,365
1	1725	200-230/460	3.3-3.2/1.6	1.15	56	H524L		B		11.7	<b>New!</b>
1	1730	230/460	2.8/1.4	1.15	143T	T57026 	E+3(NP)	F	√	13.2	11,361,363
1	1725	575	1.4	1.15	56	H525L		B		11.6	<b>New!</b>
1	1730	575	1.1	1.15	143T	T59026 	E+3(NP)	F	√	13.2	11,363,365
1	1140	200-230/460	4.2-3.8/1.9	1.15	56H	H528		B		13.4	
1	1140	230/460	3.4/1.7	1.15	145T	T57051 	E+3(NP)	F	√	13.2	11,361,363
1	1140	575	1.4	1.15	145T	T59051 	E+3(NP)	F	√	13.2	11,363,365

## Notes:


- 6. 60/50 Hz
- 11. C Flange kit available
- 14. Totally enclosed non-ventilated
- 118. TEAO
- 171. Motor is thermally protected
- 346. 65 degree C ambient
- 361. 9 leads
- 363. Double shielded bearings with no regreasing provisions
- 365. 3 leads

Published efficiency on tri-voltage rated motors applies at 230/460 volts. Performance at 200 or 208 volts may not be in accordance with NEMA standards. Published efficiency on 200-208 volt motors applies at 200 volts.



Continues on next page



Motors specially designed, tested and warranted to be **Corona-Free** for compatible inverter duty are marked on this page with a . See page 4 and 5 of this catalog for more Speed Engineered<sup>®</sup> motors information.

## Features:

- Ball Bearings
- Continuous Duty
- Squirrel Cage
- Energy Efficient \$
- Rigid Base
- No Protector
- Standard, E-Plus® (E-Plus® motors) and Premium (E-Plus® 3 motors) Efficiency
- 40°C Ambient
- 60 Hz
- TEFC except as noted
- E-Plus® Motors meet the requirements of the Energy Policy Act of 1992. E-Plus® 3 motors exceed the requirements of the Energy Policy Act of 1992. **E+3(NP) is NEMA Premium Efficient.**



H537

## Applications:

Pumps, fans, compressors, conveyors, machine tools, designed to stand up to abusive treatment..moist, dirty, dusty and factory applications.

HP	RPM	Volts	Full Load Amps	Service Factor	Frame	Stock Number	Type	Insul. Class	Cast Iron	"C" Dim.	Efficiency	Notes
1 1/2	3450	200-230/460	4.5-4.2/2.1	1.15	56	H530		B		12.2		
1 1/2	3470	230/460	3.8/1.9	1.15	143T	T57002 ⚡	E+3(NP)	F	√	13.2	84.0	11,361,363
1 1/2	3470	575	1.5	1.15	143T	T59002 ⚡	E+3(NP)	F	√	13.2	84.0	11,363,365
1 1/2	1745	200	4.5	1.15	145T	E124 ⚡	E+	B		13.7	84.0	1
1 1/2	1730	200	4.8	1.15	145T	T55027 ⚡	E+3(NP)	F	√	13.2	86.5	11,363,365
1 1/2	1725	200-230/460	4.5-4.4/2.2	1.15	56H	H535L		B		13.4		<b>New!</b>
1 1/2	1730	230/460	4.2/2.1	1.15	145T	T57027 ⚡	E+3(NP)	F	√	13.2	86.5	11,361,363
1 1/2	1745	575	1.56	1.15	145T	E127 ⚡	E+	B		13.7	84.0	1
1 1/2	1730	575	1.7	1.15	145T	T59027 ⚡	E+3(NP)	F	√	13.2	86.5	<b>New!</b>
1 1/2	1165	230/460	4.8/2.4	1.15	182T	T57052 ⚡	E+3(NP)	F	√	15.4	87.5	11,361,363
1 1/2	1165	575	1.9	1.15	182T	T59052 ⚡	E+3(NP)	F	√	15.4	87.5	11,363,365
2	3450	200-230/460	6.0-5.5/2.75	1.15	56	H537		B		12.2		
2	3475	230/460	5.0/2.5	1.15	145T	T57003 ⚡	E+3(NP)	F	√	13.2	85.5	11,361,363
2	3475	575	2.0	1.15	145T	T59003 ⚡	E+3(NP)	F	√	13.2	85.5	11,363,365
2	1745	200	6.1	1.15	145T	E125 ⚡	E+	B		13.7	84.0	1
2	1745	200	6.1	1.15	145T	E125L ⚡	E+	B		13.7	84.0	<b>New!</b>
2	1730	200	6.4	1.15	145T	T55028 ⚡	E+3(NP)	F	√	13.2	86.5	11,363,365
2	1725	208-230/460	6.0-5.8/2.9	1.00	145T	H1032		B		13.3		1,118
2	1725	208-230/460	6.1-6.0/3.0	1.00	145T	H1032L		B		13.3		118, 346, <b>New!</b>
2	1730	230/460	5.6/2.8	1.15	145T	T57028 ⚡	E+3(NP)	F	√	13.2	86.5	11,361,363
2	1730	575	2.2	1.15	145T	T59028 ⚡	E+3(NP)	F	√	13.2	86.5	11,363,365
2	1165	230/460	5.8/2.9	1.15	184T	T57053 ⚡	E+3(NP)	F	√	15.4	88.5	11,361,363
2	1165	575	2.5	1.15	184T	T48053 ⚡	E+	F	√	15.4	86.5	11,363,365
2	1165	575	2.3	1.15	184T	T59053 ⚡	E+3(NP)	F	√	15.4	88.5	11,363,365

## Notes:

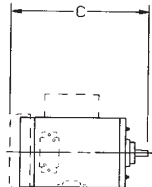
- Item to be discontinued when stock is depleted
- C flange kit available
- TEAO
- 65 degree C ambient
- 9 leads
- Double shielded bearings with no regreasing provisions
- 3 leads

Continues on next page



Motors specially designed, tested and warranted to be **Corona-Free** for compatible inverter duty are marked on this page with a ⚡. See page 4 and 5 of this catalog for more Speed Engineered® motors information.

Published efficiency on tri-voltage rated motors applies at 230/460 volts. Performance at 200 or 208 volts may not be in accordance with NEMA standards. Published efficiency on 200-208 volt motors applies at 200 volts.



## Features:

- Ball Bearings
- Continuous Duty
- Squirrel Cage
- Energy Efficient \$
- Rigid Base
- NEMA Design B
- No Protector
- Standard, EPAAct (EE) CC001A (E-Plus® motors) and Premium (E-Plus® 3 motors) Efficiency
- 40°C Ambient
- 60 Hz
- TEFC
- E-Plus® Motors meet the requirements of the Energy Policy Act of 1992. E-Plus® 3 motors exceed the requirements of the Energy Policy Act of 1992. **E+3(NP) is NEMA Premium Efficient.**



H738

## Applications:

Pumps, fans, compressors, conveyors, machine tools, designed to stand up to abusive treatment..moist, dirty, dusty and factory applications.

HP	RPM	Volts	Full Load Amps	Service Factor	Frame	Stock Number	Type	Insul. Class	Cast Iron	"C" Dim.	Efficiency	Notes
3	3450	200-230/460	9.6-9.8/4.9	1.15	56HZ	H738		B		15.0		15
3	3505	230/460	7.2/3.6	1.15	182T	T57004	E+3(NP)	F	✓	15.4	86.5	11,361,363
3	3520	575	2.9	1.15	182T	T48004	E+	F	✓	15.4	85.5	11,363,365
3	3505	575	2.9	1.15	182T	T59004	E+3(NP)	F	✓	15.4	86.5	11,363,365
3	1735	200	8.7	1.15	182T	T44029	E+	F	✓	15.4	87.5	11,363,365
3	1760	200	9.0	1.15	182T	T55029	E+3(NP)	F	✓	15.4	89.5	11,363,365
3	1745	230/460	7.8/3.9	1.15	182T	T57029	E+3(NP)	F	✓	15.4	89.5	11,361,363
3	1745	575	3.1	1.15	182T	T59029	E+3(NP)	F	✓	15.4	89.5	11,363,365
3	1165	230/460	8.6/4.3	1.15	213T	T57054	E+3(NP)	F	✓	19.4	89.5	11,362,363
3	1170	575	3.5	1.15	213T	T59054	E+3(NP)	F	✓	19.4	89.5	11,363,365
5	3505	230/460	11.6	1.15	184T	T57005	E+3(NP)	F	✓	15.4	88.5	11,361,363
5	3505	575	4.7	1.15	184T	T59005	E+3(NP)	F	✓	15.4	88.5	11,363,365
5	1745	200	14.7	1.15	184T	T55030	E+3(NP)	F	✓	15.4	89.5	11,363,365
5	1745	230/460	12.8/6.4	1.15	184T	T57030	E+3(NP)	F	✓	15.4	89.5	11,361,363
5	1745	575	5.1	1.15	184T	T59030	E+3(NP)	F	✓	15.4	89.5	11,363,365
5	1170	230/460	13.8/6.9	1.15	215T	T57055	E+3(NP)	F	✓	19.4	89.5	11,362,363
5	1170	575	5.5	1.15	215T	T59055	E+3(NP)	F	✓	19.4	89.5	11,363,365

### Notes:

- 11. C Flange kit available
- 15. 56HZ = 7/8" keyed X 2 5/16" shaft
- 361. 9 leads
- 362. 12 lead - capability for Y Start-Delta Run
- 363. Double shielded bearings with no regreasing provisions
- 365. 3 leads

Published efficiency on tri-voltage rated motors applies at 230/460 volts.  
Performance at 200 or 208 volts may not be in accordance with NEMA standards.  
Published efficiency on 200-208 volt motors applies at 200 volts.



Motors specially designed, tested and warranted to be **Corona-Free** for compatible inverter duty are marked on this page with a . See page 4 and 5 of this catalog for more Speed Engineered® motors information.

Continues on next page

## Features:

- Ball Bearings
- Continuous Duty
- Squirrel Cage
- Energy Efficient \$
- Rigid Base
- NEMA Design B
- Standard, E-Plus® (E-Plus® motors) and Premium (E-Plus® 3 motors) Efficiency
- 40°C Ambient
- 60 Hz
- E-Plus® Motors meet the requirements of the Energy Policy Act of 1992. E-Plus® 3 motors exceed the requirements of the Energy Policy Act of 1992. **E+3(NP) is NEMA Premium Efficient.**



T57006

## Applications:

Pumps, fans, compressors, conveyors, machine tools, designed to stand up to abusive treatment..moist, dirty, dusty and factory applications.

HP	RPM	Volts	Full Load Amps	Service Factor	Frame	Stock Number	Type	Insul. Class	Cast Iron	"C" Dim.	Efficiency	Notes
7 1/2	3500	230/460	5.8	1.15	213T	<b>T57006</b> ⚡	E+3(NP)	F	√	19.4	89.5	11,362,363
7 1/2	3500	575	7.2	1.15	213T	<b>T59006</b> ⚡	E+3(NP)	F	√	19.4	89.5	11,363,365
7 1/2	1750	200	21.5	1.15	213T	<b>T55031</b> ⚡	E+3(NP)	F	√	19.4	91.7	11,363,365
7 1/2	1750	230/460	18.2/9.1	1.15	213T	<b>T57031</b> ⚡	E+3(NP)	F	√	19.4	91.7	11,362,363
7 1/2	1750	575	7.3	1.15	213T	<b>T59031</b> ⚡	E+3(NP)	F	√	19.4	91.7	11,363,365
7 1/2	1170	230/460	20.2/10.1	1.15	254T	<b>T57056</b> ⚡	E+3(NP)	F	√	25.1	91.0	11,362,364
7 1/2	1170	575	8.1	1.15	254T	<b>T59056</b> ⚡	E+3(NP)	F	√	25.1	91.0	11,364,365
10	3500	230/460	18.0/9.0	1.15	215T	<b>T57007</b> ⚡	E+3(NP)	F	√	19.4	90.2	11,362,363
10	3500	575	9.2	1.15	215T	<b>T59007</b> ⚡	E+3(NP)	F	√	19.4	90.2	11,363,365
10	1750	200	28.0	1.15	215T	<b>T55032</b> ⚡	E+3(NP)	F	√	19.4	91.7	11,363,365
10	1750	230/460	23.8/11.9	1.15	215T	<b>T57032</b> ⚡	E+3(NP)	F	√	19.4	91.7	11,362,363
10	1750	575	9.5	1.15	215T	<b>T59032</b> ⚡	E+3(NP)	F	√	19.4	91.7	11,363,365
10	1170	230/460	26.4/13.2	1.15	256T	<b>T57057</b> ⚡	E+3(NP)	F	√	25.1	91.0	11,362,364
10	1170	575	10.6	1.15	256T	<b>T59057</b> ⚡	E+3(NP)	F	√	25.1	91.0	11,364,365

## Notes:

- 11. C flange kit available
- 362. 12 lead – Capability for Y Start-Delta Run
- 363. Double shielded bearings with no regreasing provisions
- 364. Open bearings with regreasing provisions
- 365. 3 leads

Published efficiency on tri-voltage rated motors applies at 230/460 volts.  
Performance at 200 or 208 volts may not be in accordance with NEMA standards.  
Published efficiency on 200-208 volt motors applies at 200 volts.



Motors specially designed, tested and warranted to be **Corona-Free** for compatible inverter duty are marked on this page with a ⚡. See page 4 and 5 of this catalog for more Speed Engineered® motors information.

Continues on next page

# Three Phase TEFC Motors

Continued from previous page

## Features:

- Ball Bearings
- Continuous Duty
- Squirrel Cage
- Energy Efficient \$
- Rigid Base
- NEMA Design B
- Standard, EPAAct (EE) CC001A (E-Plus® motors) and Premium (E-Plus® 3 motors) Efficiency
- 40°C Ambient
- 60 Hz
- TEFC
- E-Plus® Motors meet the requirements of the Energy Policy Act of 1992. E-Plus® 3 motors exceed the requirements of the Energy Policy Act of 1992. **E+3(NP) is NEMA Premium Efficient.**



T59008

## Applications:

Pumps, fans, compressors, conveyors, machine tools, designed to stand up to abusive treatment..moist, dirty, dusty and factory applications.

HP	RPM	Volts	Full Load Amps	Service Factor	Frame	Stock Number	Type	Insul. Class	Cast Iron	"C" Dim.	Efficiency	Notes
15	3510	230/460	23.0/11.5	1.15	254T	<b>T57008</b> ⚡	E+3(NP)	F	√	25.1	91.0	11,362,364
15	3510	575	13.8	1.15	254T	<b>T59008</b> ⚡	E+3(NP)	F	√	25.1	91.0	11,364,365
15	1750	200	41.0	1.15	254T	<b>T44033</b> ⚡	E+	F	√	25.1	91.0	11,364,365
15	1760	230/460	37.0/18.5	1.15	254T	<b>T57033</b> ⚡	E+3(NP)	F	√	25.1	92.4	11,362,364
15	1765	200	42.5	1.15	254T	<b>T55033</b> ⚡	E+3(NP)	F	√	25.1	92.4	11,364,365
15	1760	575	14.8	1.15	254T	<b>T59033</b> ⚡	E+3(NP)	F	√	25.1	92.4	11,364,365
15	1170	230/460	38.8/19.4	1.15	284T	<b>T57058</b> ⚡	E+3(NP)	F	√	26.9	91.7	11,362,364
15	1170	575	15.5	1.15	284T	<b>T59058</b> ⚡	E+3(NP)	F	√	26.9	91.7	11,364,365
20	3510	230/460	34.6/17.3	1.15	256T	<b>T57009</b> ⚡	E+3(NP)	F	√	25.1	91.0	11,362,364
20	3510	575	18.4	1.15	256TS	<b>T59009</b> ⚡	E+3(NP)	F	√	25.1	91.0	11,364,365
20	1760	200	56.4	1.15	256T	<b>T55034</b> ⚡	E+3(NP)	F	√	25.1	93.0	11,364,365
20	1760	230/460	49.0/24.5	1.15	256T	<b>T57034</b> ⚡	E+3(NP)	F	√	25.1	93.0	11,362,364
20	1760	575	19.6	1.15	256T	<b>T59034</b> ⚡	E+3(NP)	F	√	25.1	93.0	11,364,365
20	1170	230/460	51.0/25.5	1.15	286T	<b>T57059</b> ⚡	E+3(NP)	F	√	28.4	91.7	11,362,364
20	1170	575	20.4	1.15	286T	<b>T59059</b> ⚡	E+3(NP)	F	√	28.4	91.7	11,364,365

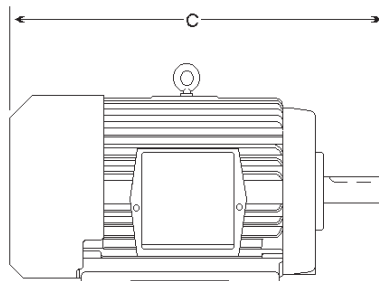
## Notes:

- 11. C Flange kit available
- 362. 12 lead - capability for Y Start-Delta Run
- 364. Open bearings with regreasing provisions
- 365. 3 leads

Continues on next page

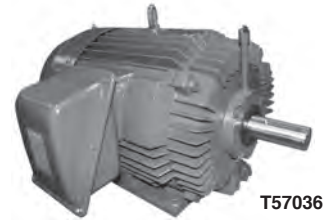


Motors specially designed, tested and warranted to be **Corona-Free** for compatible inverter duty are marked on this page with a ⚡. See page 4 and 5 of this catalog for more Speed Engineered® motors information.



## Features:

- Ball Bearings
- Continuous Duty
- Squirrel Cage
- Energy Efficient \$
- Rigid Base
- NEMA Design B
- Standard, E-Plus® (E-Plus® motors) and Premium (E-Plus® 3 motors) Efficiency
- 40°C Ambient
- 60 Hz
- TEFC
- E-Plus® Motors meet the requirements of the Energy Policy Act of 1992. E-Plus® 3 motors exceed the requirements of the Energy Policy Act of 1992. **E+3(NP) is NEMA Premium Efficient.**



## Applications:

Pumps, fans, compressors, conveyors, machine tools, designed to stand up to abusive treatment..moist, dirty, dusty and factory applications.

HP	RPM	Volts	Full Load Amps	Service Factor	Frame	Stock Number	Type	Insul. Class	Cast Iron	"C" Dim.	Efficiency	Notes
25	3520	230/460	46.0/23.0	1.15	284TS	<b>T57010</b> ⚡	E+3(NP)	F	√	25.5	91.7	11,362,364
25	3520	575	23.0	1.15	284TS	<b>T59010</b> ⚡	E+3(NP)	F	√	25.5	91.7	11,364,365
25	1765	200	69.0	1.15	284T	<b>T55035</b> ⚡	E+3(NP)	F	√	26.9	93.6	11,364,365
25	1765	230/460	60.0/30.0	1.15	284T	<b>T57035</b> ⚡	E+3(NP)	F	√	26.9	93.6	11,362,364
25	1765	575	24.0	1.15	284T	<b>T59035</b> ⚡	E+3(NP)	F	√	26.9	93.6	11,364,365
25	1175	230/460	60.4/30.2	1.15	324T	<b>T57060</b> ⚡	E+3(NP)	F	√	29.7	93.0	11,362,364
25	1175	575	24.2	1.15	324T	<b>T59060</b> ⚡	E+3(NP)	F	√	29.7	93.0	11,362,364
30	3525	230/460	57.4/28.7	1.15	286TS	<b>T57011</b> ⚡	E+3(NP)	F	√	27.0	91.7	11,362,364
30	3525	575	27.3	1.15	286TS	<b>T59011</b> ⚡	E+3(NP)	F	√	27.0	91.7	11,364,365
30	1765	230/460	72.0/36.0	1.15	286T	<b>T57036</b> ⚡	E+3(NP)	F	√	28.4	93.6	11,362,364
30	1765	575	28.8	1.15	286T	<b>T59036</b> ⚡	E+3(NP)	F	√	28.4	93.6	11,364,365
30	1175	230/460	72.0/36.0	1.15	326T	<b>T46061</b> ⚡	E+	F	√	31.3	91.7	1,11,23,362,364
30	1175	230/460	72.0/36.0	1.15	326T	<b>T57061</b> ⚡	E+3(NP)	F	√	31.3	93.0	11,362,364
30	1175	575	28.8	1.15	326T	<b>T59061</b> ⚡	E+3(NP)	F	√	31.3	93.0	11,364,365

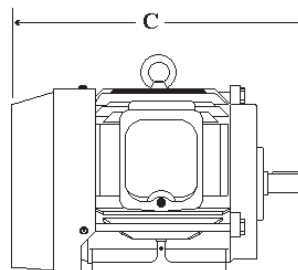
## Notes:

1. Item to be discontinued when stock is depleted
11. C flange kit available
23. Suitable for 200/400 Volt and 50 HZ
362. 12 lead – Capability for Y Start-Delta Run
364. Open bearings with regreasing provisions
365. 3 leads

Continues on next page



Motors specially designed, tested and warranted to be **Corona-Free** for compatible inverter duty are marked on this page with a ⚡. See page 4 and 5 of this catalog for more Speed Engineered® motors information.



# Three Phase TEFC Motors

Continued from previous page

## Features:

- Ball Bearings
- Continuous Duty
- Squirrel Cage
- Energy Efficient \$
- Rigid Base
- NEMA Design B
- \* No Protector
- Standard, EPAAct (EE) CC001A (E-Plus® motors) and Premium (E-Plus® 3 motors) Efficiency
- 40°C Ambient
- 60 Hz
- TEFC
- E-Plus® Motors meet the requirements of the Energy Policy Act of 1992. E-Plus® 3 motors exceed the requirements of the Energy Policy Act of 1992. **E+3(NP) is NEMA Premium Efficient.**



T57012

## Applications:

Pumps, fans, compressors, conveyors, machine tools, designed to stand up to abusive treatment..moist, dirty, dusty and factory applications.

HP	RPM	Volts	Full Load Amps	Service Factor	Frame	Stock Number	Type	Insul. Class	Cast Iron	"C" Dim.	Efficiency	Notes
40	3530	230/460	68.2/34.1	1.15	324TS	<b>T57012</b> ⚡	E+3(NP)	F	✓	28.2	92.4	11,362,364
40	3530	575	37.4	1.15	324TS	<b>T59012</b> ⚡	E+3(NP)	F	✓	28.2	92.4	11,13,364,365
40	1770	230/460	94.8/47.4	1.15	324T	<b>T57037</b> ⚡	E+3(NP)	F	✓	29.7	94.1	8,11,362,364
40	1770	575	38.0	1.15	324T	<b>T59037</b> ⚡	E+3(NP)	F	✓	29.7	94.1	11,364,365
40	1180	230/460	96.0/48.0	1.15	364T	<b>T57062</b> ⚡	E+3(NP)	F	✓	32.5	94.1	362,364
50	3550	230/460	93.4/46.7	1.15	326TS	<b>T57013</b> ⚡	E+3(NP)	F	✓	29.8	93.0	11,362,364
50	3550	575	45.6	1.15	326TS	<b>T59013</b> ⚡	E+3(NP)	F	✓	29.8	93.0	11,13,364,365
50	1770	230/460	118.0/59.0	1.15	326T	<b>T57038</b> ⚡	E+3(NP)	F	✓	31.3	94.5	11,362,364
50	1770	575	47.2	1.15	326T	<b>T59038</b> ⚡	E+3(NP)	F	✓	31.3	94.5	11,13,364,365
50	1180	230/460	120.0/60.0	1.15	365T	<b>T57063</b> ⚡	E+3(NP)	F	✓	33.5	94.1	11,362,364
60	3565	230/460	114.0/57.0	1.15	364TS	<b>T57014</b> ⚡	E+3(NP)	F	✓	30.4	93.6	362,364
60	1770	230/460	143.0/71.5	1.15	364T	<b>T57039</b> ⚡	E+3(NP)	F	✓	32.5	95.0	362,364
60	1770	230/460	143.0/71.5	1.15	364TS	<b>TS18039</b> ⚡	E+3(NP)	F	✓	30.4	95.0	362,364
60	1770	575	57.2	1.15	364T	<b>T59039</b> ⚡	E+3(NP)	F	✓	32.5	95.0	13,364,366
60	1180	230/460	148.0/74.0	1.15	404T	<b>T57064</b> ⚡	E+3(NP)	F	✓	39.1	94.5	362,364
75	3565	230/460	136.0/68.0	1.15	365TS	<b>T57015</b> ⚡	E+3(NP)	F	✓	31.4	93.6	362,364
75	1770	230/460	180.0/90.0	1.15	365TS	<b>TS18040</b> ⚡	E+3(NP)	F	✓	31.4	95.4	362,364
75	1770	230/460	180.0/90.0	1.15	365T	<b>T57040</b> ⚡	E+3(NP)	F	✓	33.5	95.4	362,364
75	1770	575	72.0	1.15	365T	<b>T59040</b> ⚡	E+3(NP)	F	✓	33.5	95.4	13,364,366
75	1180	230/460	181.0/90.5	1.15	405T	<b>T57065</b> ⚡	E+3(NP)	F	✓	40.6	94.5	362,364

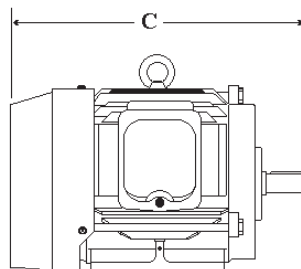
## Notes:

- 8. NEMA Design A
- 11. C Flange kit available
- 13. Six lead motor suitable for part winding start
- 362. 12 lead - capability for Y Start-Delta Run
- 364. Open bearings with regreasing provisions
- 365. 3 leads
- 366. 6 leads

Continues on next page



Motors specially designed, tested and warranted to be **Corona-Free** for compatible inverter duty are marked on this page with a ⚡. See page 4 and 5 of this catalog for more Speed Engineered® motors information.





## Features:

- Ball Bearings
- Continuous Duty
- Squirrel Cage
- Energy Efficient \$
- Rigid Base
- Standard, EPAAct (ee) CC001A (E-Plus® motors) and Premium (E-Plus® 3 motors) Efficiency
- 40°C Ambient
- 60 Hz
- TEFC
- E-Plus® Motors meet the requirements of the Energy Policy Act of 1992. E-Plus® 3 motors exceed the requirements of the Energy Policy Act of 1992. **E+3(NP) is NEMA Premium Efficient.**



## Applications:

Pumps, fans, compressors, conveyors, machine tools, designed to stand up to abusive treatment..moist, dirty, dusty and factory applications.

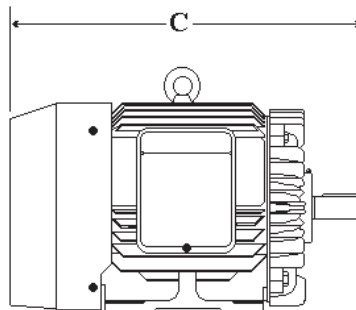
HP	RPM	Volts	Full Load Amps	Service Factor	Frame	Stock Number	Type	Insul. Class	Cast Iron	"C" Dim.	Efficiency	Notes
100	3540	230/460	168.0/84.0	1.15	405TS	<b>T57016</b> ⚡	E+3(NP)	F	√	37.6	94.1	362,364
100	1775	575	96.0	1.15	405T	<b>T59041</b> ⚡	E+3(NP)	F	√	40.6	95.4	13,364,366
100	1775	230/460	240.0/120.0	1.15	405T	<b>T57041</b> ⚡	E+3(NP)	F	√	40.6	95.4	362,364
100	1775	230/460	240.0/120.0	1.15	405TS	<b>TS18041</b> ⚡	E+3(NP)	F	√	37.6	95.4	362,364
100	1180	230/460	242.0/121.0	1.15	444T	<b>T57066</b> ⚡	E+3(NP)	F	√	45.7	95.0	362,364
125	3550	230/460	228.0/114.0	1.15	444TS	<b>T57017</b> ⚡	E+3(NP)	F	√	44.6	95.0	8,362,364
125	1775	230/460	286.0/143.0	1.15	444T	<b>T57042</b> ⚡	E+3(NP)	F	√	45.7	95.4	362,364
125	1775	230/460	286.0/143.0	1.15	444TS	<b>TS18042</b> ⚡	E+3(NP)	F	√	44.6	95.4	362,364
125	1775	575	114.4	1.15	444T	<b>T59042</b> ⚡	E+3(NP)	F	√	45.7	95.4	13,364,366
125	1180	230/460	300.0/150.0	1.15	445T	<b>T57067</b> ⚡	E+3(NP)	F	√	47.7	95.0	362,364
150	3550	230/460	290.0/245.0	1.15	445TS	<b>T57018</b> ⚡	E+3(NP)	F	√	46.6	95.0	8,362,364
150	1780	230/460	338.0/169.0	1.15	445T	<b>T57043</b> ⚡	E+3(NP)	F	√	47.7	95.8	362,364
150	1780	575	135.2	1.15	445T	<b>T59043</b> ⚡	E+3(NP)	F	√	47.7	95.8	13,364,366
150	1180	230/460	356.0/178.0	1.15	447T	<b>T57068</b> ⚡	E+3(NP)	F	√	57.5	95.8	362,364
200	3560	230/460	228.0	1.15	447TS	<b>T57019</b> ⚡	E+3(NP)	F	√	53.8	95.4	8,65,364
200	1780	460	220.0	1.15	447T	<b>T57044</b> ⚡	E+3(NP)	F	√	57.5	96.2	362,364
200	1780	575	176.0	1.15	447T	<b>T59044</b> ⚡	E+3(NP)	F	√	57.5	96.2	364,366
200	1185	460	234.0	1.15	449T	<b>T57069</b> ⚡	E+3(NP)	F	√	57.5	95.8	362,364

## Notes:

- 8. NEMA Design A
- 13. Six lead motor suitable for part winding start
- 65. Six lead, Wye Delta
- 362. 12 lead - capability for Y Start-Delta Run
- 364. Open bearings with regreasing provisions
- 366. 6 leads



Motors specially designed, tested and warranted to be **Corona-Free** for compatible inverter duty are marked on this page with a ⚡. See page 4 and 5 of this catalog for more Speed Engineered® motors information.



# Century® Industrial E-Plus® 3 Nema Premium Severe Duty Motors

## Premium Efficient $\text{e}$ CC001A - Squirrel Cage - TEFC - Rigid Base

### Severe Duty Construction 3600 - 1800 & 1200 RPM - 1 thru 50 HP - Cast Iron



TSD61005

#### Features:

- All Cast Iron Construction
- Automatic Drain/Breather
- Continuous Duty
- Corrosion Resistant Fan
- Fully Gasketed Conduit Box
- Energy Efficient \$
- Grease Fittings
- Regreasable While Running
- Ground Lug in Conduit Box
- Shielded Bearings
- Shaft Slinger
- Plated Hardware
- 40°C Ambient
- 60 Hz
- Stainless Steel or Bronze Nameplates
- Multiple Dips and Bakes Non Hygroscopic Varnish
- 3-Year Warranty (3 years from date of manufacture, 2 years from date of installation)

HP	RPM	Volts	Full Load Amps	Service Factor	Frame	Stock Number	Type	Insul. Class	Cast Iron	"C" Dim.	Efficiency	Notes
1	1730	230/460	2.8/1.4	1.15	143T	TSD61026	E+3(NP)	F	✓	13.2	85.5	11,361,363,\$
1	1140	230/460	3.4/1.7	1.15	145T	TSD61051	E+3(NP)	F	✓	13.2	82.5	11,361,363,\$
1 1/2	3470	230/460	3.8/1.9	1.15	143T	TSD61002	E+3(NP)	F	✓	13.2	84.0	11,361,363,\$
1 1/2	1730	230/460	4.2/2.1	1.15	145T	TSD61027	E+3(NP)	F	✓	13.2	86.5	11,361,363,\$
1 1/2	1165	230/460	4.8/2.4	1.15	182T	TSD61052	E+3(NP)	F	✓	15.4	87.5	11,361,363,\$
2	3475	230/460	5.0/2.5	1.15	145T	TSD61003	E+3(NP)	F	✓	13.2	85.5	11,361,363,\$
2	1730	230/460	5.6/2.8	1.15	145T	TSD61028	E+3(NP)	F	✓	13.2	86.5	11,\$
2	1165	230/460	5.8/2.9	1.15	184T	TSD61053	E+3(NP)	F	✓	15.4	88.5	11,361,363,\$
3	3505	230/460	7.2/3.6	1.15	182T	TSD61004	E+3(NP)	F	✓	15.4	86.5	11,361,363,\$
3	1745	230/460	7.8/3.9	1.15	182T	TSD61029	E+3(NP)	F	✓	15.4	89.5	11,361,363,\$
3	1170	230/460	8.6/4.3	1.15	213T	TSD61054	E+3(NP)	F	✓	19.4	89.5	11,362,363,\$
5	3505	230/460	11.6/5.8	1.15	184T	TSD61005	E+3(NP)	F	✓	15.4	88.5	11,361,363,\$
5	1745	230/460	12.8/6.4	1.15	184T	TSD61030	E+3(NP)	F	✓	15.4	89.5	11,361,363,\$
5	1170	230/460	13.8/6.9	1.15	215T	TSD61055	E+3(NP)	F	✓	19.4	89.5	11,362,363,\$
7 1/2	3500	230/460	18.0/9.0	1.15	213T	TSD61006	E+3(NP)	F	✓	19.4	89.5	11,362,363,\$
7 1/2	1750	230/460	18.2/9.1	1.15	213T	TSD61031	E+3(NP)	F	✓	19.4	91.7	11,362,363,\$
7 1/2	1170	230/460	20.2/10.1	1.15	254T	TSD61056	E+3(NP)	F	✓	25.1	91.0	11,362,364,\$
10	3500	230/460	23.0/11.5	1.15	215T	TSD61007	E+3(NP)	F	✓	19.4	90.2	11,362,363,\$
10	1750	230/460	23.8/11.9	1.15	215T	TSD61032	E+3(NP)	F	✓	19.4	91.7	11,362,363,\$
10	1170	230/460	26.4/13.2	1.15	256T	TSD61057	E+3(NP)	F	✓	25.1	91.0	11,362,364,\$
15	3510	230/460	34.6/17.3	1.15	254T	TSD61008	E+3(NP)	F	✓	25.1	91.0	11,362,364,\$
15	1760	230/460	37.0/18.5	1.15	254T	TSD61033	E+3(NP)	F	✓	25.1	92.4	11,362,364,\$
15	1170	230/460	38.8/19.4	1.15	284T	TSD61058	E+3(NP)	F	✓	26.9	91.7	11,362,364,\$

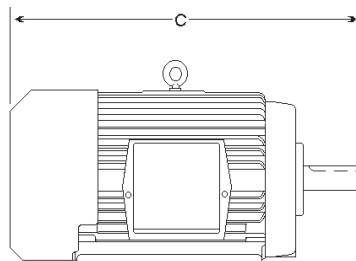
#### Notes:

- \$ Energy Efficient \$
- 11. C flange kit available
- 361. 9 lead
- 362. 12 lead – Capability for Y Start-Delta Run
- 363. Double shielded bearings with no regreasing provisions
- 364. Open bearings with regreasing provisions

Continues on next page



Motors specially designed, tested and warranted to be **Corona-Free** for compatible inverter duty are marked on this page with a **C**. See page 4 and 5 of this catalog for more Speed Engineered® motors information.




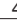


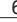

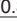


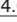
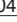

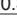


**Premium Efficient  CC001A - Squirrel Cage - TEFC - Rigid Base  
Severe Duty Construction 3600 - 1800 & 1200 RPM - 1 thru 50 HP - Cast Iron**



TSD61035

**Features:**

- All Cast Iron Construction
- Automatic Drain/Breather
- Continuous Duty
- Corrosion Resistant Fan
- Fully Gasketed Conduit Box
- Energy Efficient \$
- Grease Fittings
- Regreasable While Running
- Ground Lug in Conduit Box
- Shielded Bearings
- Shaft Slinger
- Plated Hardware
- 40°C Ambient
- 60 Hz
- Stainless Steel or Bronze Nameplates
- Multiple Dips and Bakes Non Hygroscopic Varnish
- 3-Year Warranty (3 years from date of manufacture, 2 years from date of installation)


HP	RPM	Volts	Full Load Amps	Service Factor	Frame	Stock Number	Type	Insul. Class	Cast Iron	"C" Dim.	Efficiency	Notes
20	3510	230/460	47.5-46.0/23.0	1.15	256T	TSD61009 	E+3(NP)	F	✓	25.1	91.0	11,362,364,\$
20	1760	230/460	49.0/24.5	1.15	256T	TSD61034 	E+3(NP)	F	✓	25.1	93.0	11,362,364,\$
20	1170	230/460	55.7-51.0/25.5	1.15	286T	TSD61059 	E+3(NP)	F	✓	28.4	91.7	11,362,364,\$
25	3520	230/460	57.4/28.7	1.15	284TS	TSD61010 	E+3(NP)	F	✓	25.5	91.7	11,362,364,\$
25	1765	230/460	60.0/30.0	1.15	284T	TSD61035 	E+3(NP)	F	✓	26.9	93.6	11,362,364,\$
25	1175	230/460	69.7-60.4/30.2	1.15	324T	TSD61060 	E+3(NP)	F	✓	29.7	93.0	11,362,364,\$
30	3525	230/460	70.3-68.2/34.1	1.15	286TS	TSD61011 	E+3(NP)	F	✓	27.0	91.7	11,362,364,\$
30	1765	230/460	72.0/36.0	1.15	286T	TSD61036 	E+3(NP)	F	✓	28.4	93.6	11,362,364,\$
30	1175	230/460	81.7-72.0/36.0	1.15	326T	TSD61061 	E+3(NP)	F	✓	31.3	93.0	11,362,364,\$
40	3530	230/460	94.6-93.4/46.7	1.15	324TS	TSD61012 	E+3(NP)	F	✓	28.2	92.4	11,362,364,\$
40	1770	230/460	104.8-94.8/47.4	1.15	324T	TSD61037 	E+3(NP)	F	✓	29.7	94.1	11,362,364,\$
40	1180	230/460	96.0/48.0	1.15	364T	TSD61062 	E+3(NP)	F	✓	32.7	94.1	19,362,364,\$
50	3550	230/460	120.3-114.0/57.0	1.15	326TS	TSD61013 	E+3(NP)	F	✓	29.8	93.0	11,362,364,\$
50	1770	230/460	118.0/59.0	1.15	326T	TSD61038 	E+3(NP)	F	✓	31.3	94.5	11,19,362,364,\$
50	1180	230/460	120.0/60.0	1.15	365T	TSD61063 	E+3(NP)	F	✓	33.7	94.1	19,362,364,\$

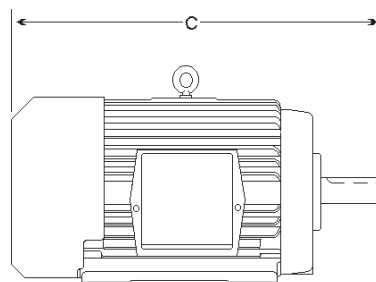
**Notes:**

- \$ Energy Efficient \$
- 11. C flange kit available
- 19. C & D flange kit available
- 362. 12 lead – Capability for Y Start-Delta Run
- 364. Open bearings with regreasing provisions

Continues on next page



Motors specially designed, tested and warranted to be **Corona-Free** for compatible inverter duty are marked on this page with a . See page 4 and 5 of this catalog for more Speed Engineered® motors information.



# Century® Multi-Speed • Three Phase Motors

## Dripproof - Rigid Base - Two Speed Variable Torque - 1/.25 thru 50/12.5 HP

### Features:

- Ball Bearings
- Service Factor 1.15
- 60 Hz
- 40°C Ambient



M312

### Applications:

For two-speed, one and two winding, variable torque applications for speed control from one speed to another while under load. Blowers, fans, conveyors, mixing machines, centrifugal pumps.

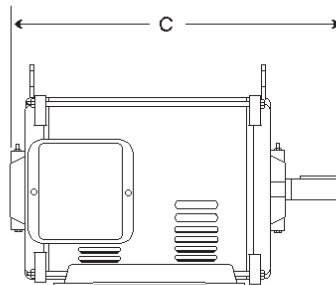
HP	RPM	Oper. HP High Spd.*	Oper. HP Low Spd.*	Volts	Full Load Amps	Frame	Stock Number	Insul. Class	Rotation	"C" Dim.	High Spd. Efficiency	Low Spd. Efficiency	Notes
<b>2-1-VT • Two Speed • One Winding • Variable Torque</b>													
1~.25	1745/850	1	.12	200-230	3.5-3.4/1.5-1.6	143T	M126	B	RCC	12.1	76.0	59.0	1, 21
1~.25	1725/850	1	.12	200-230	3.5-3.4/1.4-1.4	56	M126V1	B	RCC	12.1			30, New!
1~.25	1725/850	1	.12	460	1.7/6.5	143T	M116V1	B	RCC	12.1			New!
1.5~.37	1745/845	1-1/2	.19	200-230	5.0-5.0/2.0-2.0	145T	M127V1	B	RCC	12.6			New!
1.5~.37	1725/850	1-1/2	.19	460	2.4	145T	M120V1	B	RCC	12.6			New!
2~.5	1745/850	2	.25	230	6.6/2.4	145T	M128L	F	RCC	13.1			21, New!
3~.75	1745/850	3	.375	200-230	10.1-11.6/4.1-4.4	182T	M222	F	CCW	13.7	82.0	72.0	
3~.75	1760/875	3	.375	460	6.6/2.4	182T	M206	F	CCW	13.7	80.0	66.0	
5~1.25	1760/870	5	.63	200-230	16.0-17.7/6.2-6.2	184T	M223	F	CCW	13.7	85.0	77.0	
5~1.25	1750/870	5	.63	460	9.1/3.2	184T	M302	F	CCW	13.7	84.0	73.0	
7.5~1.9	1740/870	7-1/2	.94	200-230	23.0-22.5/9.3-8.2	213T	M321	F	CCW	17.3	85.0	72.0	
7.5~1.9	1740/870	7-1/2	.94	460	11.8/4.2	213T	M312	F	CCW	17.3	85.0	72.0	
10~2.5	1745/870	10	1.25	200-230	27.7-32.4/11.2-11.6	215T	M322	F	CCW	17.3	88.0	77.0	
10~2.5	1750/870	10	1.25	460	15.0/5.3	215T	M313	F	CCW	17.3	83.0	71.0	
15~3.7	1760/880	15	1.87	200-230	42.5-40.0/16.5-17.0	256T	M425	F	CCW	22.1	90.2	84.0	
15~3.7	1750/875	15	1.87	460	19.3/7.8	256T	M412	F	CCW	22.1	88.5	81.5	
20~5	1755/875	20	2.50	200-230	56.0-51.0/21.5-21.5	284T	M520	F	CCW	24.3	90.2	82.5	
20~5	1745/870	20	2.50	460	25.2/10.0	256T	M424	F	CCW	22.1	89.5	82.5	
25~6.25	1740/865	25	3.12	460	31.0/12.0	286T	M506	F	CCW	24.3	89.5	84.0	
30~7.5	1740/870	30	3.75	460	35.5/13.5	286T	M513	F	CCW	24.2	90.2	85.5	

### Notes:

1. Item to be discontinued when stock is depleted
21. Terminal in bracket construction
30. 56, 140 frame combination base (12 mounting holes)

Continues on next page

\*The operating horsepower is based on the type load where the horsepower required varies as the cube of the speed. Examples of such loads are fan or blower systems and centrifugal pumps. Two-speed motor performance data sheets are available from your Century Customer Service Center.



**Dripproof - Rigid Base - Two Speed  
Variable Torque - 1/.44 thru 30/13.3 HP**

**Features:**

- Ball Bearings
- Service Factor 1.15
- 60 Hz
- Open Dripproof
- Rigid Base
- 40°C Ambient



M207

**Applications:**

For two-speed, one and two winding, variable torque applications for speed control from one speed to another while under load. Blowers, fans, conveyors, mixing machines, centrifugal pumps.

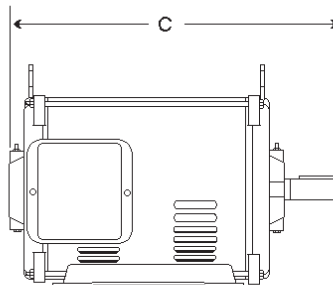
HP	RPM	Oper. HP High Spd.*	Oper. HP Low Spd.*	Volts	Full Load Amps	Frame	Stock Number	Insul. Class	"C" Dim.	High Spd. Efficiency	Low Spd. Efficiency	Notes
<b>2-1-VT • Two Speed • Two Winding • Variable Torque</b>												
1~.44	1745/1140	1	.30	460	1.7/1.1	145T	M109V1	B	12.6			New!
1.5~.68	1745/1140	1-1.2	.44	200-230	4.8-4.6/2.8-2.7	145T	M125V1	B	13.1			New!
1.5~.68	1745/1140	1-1/2	.44	460	2.4/1.4	145T	M104	B	13.1	75.0	71.0	21
1.5~.68	1725/1140	1-1/2	.44	460	2.1/1.3	145T	M104V1	B	13.1			New!
2~.88	1750/1170	2	.59	200-230	6.4-6.1/3.8-4.1	182T	M220	B	12.6	81.0	72.0	
2~.88	1760/1175	2	.59	460	3.0/2.0	182T	M207	B	12.6	80.0	70.0	
3~1.3	1740/1160	3	.89	200-230	9.0-8.4/4.8-4.8	184T	M221	F	12.6	81.0	75.0	
3~1.3	1760/1170	3	.89	460	4.6/2.6	184T	M208	B	12.6	82.5	74.0	
5~2.2	1750/1160	5	1.48	200-230	16.0-15.5/9.7-10.2	215T	M320	B	15.6	86.0	78.0	
5~2.2	1750/1160	5	1.48	460	7.1/4.8	215T	M305	B	15.6	78.0	71.0	
7.5~3.3	1760/1170	7.5	2.22	200-230	22.0-19.5/12.3-12.3	215T	M317	F	18.3	89.0	85.0	
7.5~3.3	1770/1175	7.5	2.22	460	10.0/6.0	215T	M315	F	16.6	87.0	80.0	
10~4.4	1775/1175	10	2.96	200-230	27.0-24.0/14.5-13.0	256T	M421	F	22.1	88.0	80.0	
10~4.4	1775/1175	10	2.96	460	12.0/6.3	256T	M413	F	22.1	87.0	82.0	
15~6.7	1775/1175	15	4.40	200-230	40.0-36.0/20.0-19.0	284T	M521	F	24.3	86.0	85.0	
15~6.7	1775/1175	15	4.40	460	18.0/9.5	256T	M423	F	22.1	86.0	81.0	
20~8.9	1770/1175	20	5.93	200-230	54.0-48.0/28.0-26.0	286T	M522	F	24.3	89.0	86.0	
20~8.9	1770/1175	20	5.93	460	24.0/13.0	286T	M504	F	24.2	90.0	84.0	
25~11.0	1770/1180	25	7.40	460	29.0/17.5	286T	M515	F	24.3	91.0	86.0	
30~13.3	1770/1170	30	8.90	460	36.0/18.5	286T	M514	F	24.3	91.0	88.0	

**Notes:**

21. Terminal in bracket construction

Continues on next page

\*The operating horsepower is based on the type load where the horsepower required varies as the cube of the speed. Examples of such loads are fan or blower systems and centrifugal pumps. Two-speed motor performance data sheets are available from your Century Customer Service Center.



# Century® Multi-Speed • Three Phase Motors

## Dripproof - Rigid Base - Two Speed

### Variable Torque - 2~.5 thru 25~6.5 HP

#### Features:

- Ball Bearings
- Open Dripproof
- Rigid Base
- 60 Hz
- 40°C Ambient
- Service Factor 1.15



M314

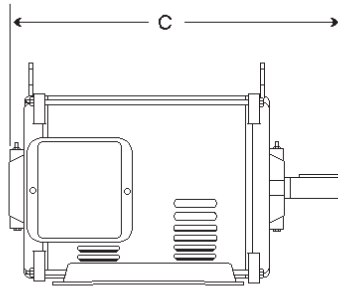
#### Applications:

For two-speed, one and two winding, variable torque applications for speed control from one speed to another while under load.

Blowers, fans, conveyors, mixing machines, centrifugal pumps.

HP	RPM	Oper. HP High Spd.*	Oper. HP Low Spd.*	Volts	Full Load Amps	Frame	Stock Number	Insul. Class	Rotation	"C" Dim.	High Spd. Efficiency	Low Spd. Efficiency
<b>2-2-VT - Two Speed - Two Winding - Variable Torque</b>												
2~.5	1750/875	2	.25	460	3.0/1.2	182T	M210	B	REV	12.6	78.5	62.0
3~.75	1750/860	3	.37	460	4.3/2.0	184T	M211	B	REV	12.6	75.0	61.0
5~1.2	1760/880	5	.63	460	7.1/3.3	215T	M314	B	REV	15.6	83.0	55.0
7.5~1.9	1760/880	7 1/2	.94	460	9.6/4.6	215T	M316	F	REV	16.6	86.0	70.0
10~2.5	1770/880	10	1.25	460	12.5/5.5	256T	M415	F	RCC	22.1	87.0	74.0
15~3.75	1760/875	15	1.87	460	18.0/7.5	256T	M422	F	RCC	22.1	88.0	75.0
20~5	1755/875	20	2.5	460	24.5/10.0	286T	M511	F	RCC	24.3	87.0	77.0
25~6.25	1755/875	25	3.12	460	30.0/12.0	286T	M512	F	RCC	24.3	89.0	84.0

\*The operating horsepower is based on the type load where the horsepower required varies as the cube of the speed. Examples of such loads are fan or blower systems and centrifugal pumps. Two-speed motor performance data sheets are available from your Century Customer Service Center.



## Single Phase - Dripproof & Totally Enclosed Fan-Cooled Rigid Base - 3600 & 1800 RPM - 1.5 thru 6 HP



### Features:

- Double Sealed Ball Bearings    • 60 Hz    • 40°C Ambient    • Class B Insulation    • Reversible    • Service Factor 1.15
- Manual Overload Protector    • **Two Step Varnish Treatment** – Rotor surface and bearing brackets coated with corrosion resistant primer.  
One dip and bake of Class B Varnish is applied to wound stator. The entire stator assembly is dipped in a second coating of varnish and baked to seal out moisture    • Energy Efficient \$

B861

**Applications:** High Pressure washers (sprayers) and other applications.

HP	RPM	Volts	Full Load Amps	Service Factor	Frame	Stock Number	Base/Mounting	Enclosure	Shaft Dia.	Insul Class	"C" Dim.	Notes
<b>Dripproof • Standard Bracket</b>												
1 1/2	3450	115/230	13.0/6.5	1.15	56	<b>B176</b>	Rigid Base	ODP	5/8"	B	11.4	\$
1 1/2	1725	115/208-230	13.4/7.2-6.7	1.15	56	<b>C775</b>	Rigid Base	ODP	5/8"	B	12.2	85,\$
2	3450	115/208-230	17.2/9.2-8.6	1.15	56	<b>B177</b>	Rigid Base	ODP	5/8"	B	12.7	85,\$
2	3450	115/208-230	17.2/9.2-8.6	1.15	56	<b>B177L</b>	Rigid Base	ODP	5/8"	B	12.7	<b>New!</b>
2	1725	115/230	18.0/9.0	1.15	56H	<b>C210</b>	Rigid Base	ODP	5/8"	B	14.4	85,\$
3	3450	208-230	13.5-12.5	1.15	56H	<b>B178</b>	Rigid Base	ODP	5/8"	B	12.7	85,\$
3	1725	208-230	13.5	1.15	145T	<b>C218</b>	Rigid Base	ODP	5/8"	B	15.1	85,\$
5	3450	208-230	22.0	1.15	56HZ	<b>B179</b>	Rigid Base	ODP	7/8"	B	14.6	160,\$
5	3450	208-230	22.0	1.15	56Y	<b>B180</b>	Rigid Base	ODP	7/8"	B	14.6	97,160,\$
6	3450	230	24.0	1.00	56Y	<b>B869</b>	Rigid Base	ODP	7/8"	B	14.6	97,160,\$
<b>Dripproof • NEMA "C" Bracket</b>												
1 1/2	3450	115/230	13.0/6.5	1.15	56C	<b>B870</b>	Rigid Base	ODP	5/8"	B	11.5	85,\$
1 1/2	1725	115/230	13.4/6.7	1.15	56C	<b>C776</b>	Rigid Base	ODP	5/8"	B	12.2	85,\$
2	3450	115/208-230	17.2/9.2-8.6	1.15	56C	<b>B860</b>	Rigid Base	ODP	5/8"	B	12.7	85,\$
2	1725	115/230	18.0/9.0	1.15	56HC	<b>C215</b>	Rigid Base	ODP	5/8"	B	14.4	85,\$
3	3450	208-230	13.5-12.5	1.15	56HCZ	<b>B867</b>	Rigid Base	ODP	3/4"	B	12.5	\$
5	3450	208-230	22.0	1.15	56HCZ	<b>B182</b>	Rigid Base	ODP	3/4"	B	14.5	160,\$
<b>TEFC • NEMA "C" Bracket</b>												
1 1/2	3450	115/230	13.0/6.5	1.15	56C	<b>B871</b>	Rigid Base	TEFC	5/8"	B	12.7	85,\$
1 1/2	1725	115/230	15.0/7.5	1.20	56C	<b>C777</b>	Rigid Base	TEFC	5/8"	B	13.7	85,\$
2	3450	115/208-230	16.6/9.1-8.4	1.15	56HC	<b>B861</b>	Rigid Base	TEFC	5/8"	B	14.2	85,\$
2	1725	115/230	17.0/8.5	1.15	56HC	<b>C213</b>	Rigid Base	TEFC	5/8"	B	14.4	85,\$
3	3450	230	12.0	1.15	56HC	<b>B382</b>	Rigid Base	TEFC	5/8"	B	15.2	85,\$
3	3450	230	12.0	1.15	56HCZ	<b>B868</b>	Rigid Base	TEFC	3/4"	B	15.0	\$

### Notes:

- \$ Energy Efficient \$
- 85. Energy efficient \$ - capacitor start/run
- 97. 182T and 184T mounting holes, 4.5" shaft height
- 160. Non-reversible, Connected for CW facing end-opposite shaft

# Century® Air Compressor OEM Special Replacement Motors

## OEM Special Replacements – Dripproof – Rigid Base – Single Phase Capacitor Start/Capacitor Run



B385

### Features:

- Non-Reversible–Connected for CW Facing End Opposite Shaft • Energy Efficient \$ • 40°C Ambient • 60 HZ • Ball Bearings

HP	RPM	Volts	Full Load Amps	Service Factor	Frame	Stock Number	Enclosure	Insulation Class	Overload Protector	Rotation	“C” Dim	Notes
2 SPL	3450	115/230	15.0/7.5	1.00	56	B381	ODP	B	Manual	CW	11.3	\$
3 SPL	3450	115/230	15.0/7.5	1.00	56	B383	ODP	B	Manual	CW	11.6	\$
5 SPL	3450	208-230	15.0	1.00	56	B385	ODP	B	Manual	CW	12.6	\$

## Air Compressor Motors

### Rigid Base – 3600 & 1800 RPM – 1/2 thru 6 HP Single Phase

### Features:

- Ball Bearings
- Rigid Base
- 60 Hz
- Continuous Duty
- Open Construction
- 40°C Ambient



CP1152L



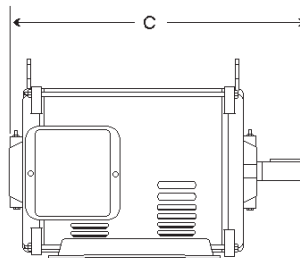
B813

**Applications:** Designed for air compressor loads. May be suitable for other applications having similar loads.

HP	RPM	Volts	Full Load Amps	Service Factor	Frame	Stock Number	Enclosure	Insulation Class	Overload Protector	Rotation	“C” Dim	Notes
1/2	3450	115/230	9.6/4.8	1.00	56	B685	ODP	B	Manual	CWLE	11.0	
3/4	3450	115/230	12.5/6.75	1.00	56	CP1072L	ODP	B	Manual	REV	10.6	
1	3450	115/230	12.0/6.0	1.00	56	CP1102L	ODP	B	Manual	REV	11.4	
1-1/2	3450	115/230	12.5/6.3	1.00	56	CP1152L	ODP	B	Manual	RCW	11.9	85,\$
2	3450	115/230	24.0/12.0	1.00	56	CP1202L	Open	B	Manual	RCW	12.7	
3	3450	208/230	13.1/12.3	1.00	56	CP1302L	ODP	B	Manual	RCC	12.7	85,\$
3	1750	115/230	34.0/17.0	1.15	184T	V201	ODP	B	None	REV	14.7	
5	3450	230	19.7	1.00	56HZ	CP1502L	ODP	B	Manual	RCW	14.1	15,85,\$
5	3450	230	22	1.00	56HZ	B813	ODP	B	Manual	CWLE	14.1	85,\$
5	3450	208-230	22.0	1.15	56HZ	B386	ODP	B	Manual	CWLE	14.6	85,\$
5	3450	208-230	22.0	1.15	56Y	B384	ODP	B	Manual	CWLE	14.6	85,97,320,\$
5	3510	230	25.6	1.15	184T	V211	ODP	B	None	REV	14.7	
5	1745	230	22	1.15	184T	V208	ODP	F	None	REV	15.0	85,\$
6	3450	230	24.0	1.00	56Y	B387	ODP	B	Manual	CWLE	14.6	85,97,298,\$
SPL	3450	230	15.0	1.00	56H	CP1502LV1	ODP	B	Manual	REV	12.8	85,180,\$

### Notes:

- \$ Energy Efficient \$
- 15. 56HZ = 7/8" x 2-1/4" Shaft
- 85. Energy efficient \$ - capacitor start/run
- 97. 182T and 184T mounting holes, 4.5" shaft height
- 180. Low AMP replacement for a variety of O.E.M. "Special" and "SPL 5" horsepower requirements
- 298. 2-1/4" x 7/8" keyed shaft
- 320. 56Y = 7/8" diameter keyed shaft, 2.25" long





## Totally Enclosed Fan Cooled – Rigid/Removable Base – Keyed Shaft 3600, 1800 & 1200 RPM – 1/4 Thru 3 HP



### Features:

- Double Sealed Ball Bearings
- UL and CSA certified
- 40°C Ambient

**Applications:** Designed for industrial and commercial pumps, conveyors, speed reducers and other equipment that mounts directly on a NEMA “C” face type motor. F-1 assembly vertical shaft up or down.

HP	RPM	Volts	Full Load Amps	Service Factor	Frame	Stock Number	Enclosure	Protector	Insulation Class	“C” Dim	Efficiency	Notes
1/4	1140	115/208-230	5.0/2.4-2.5	1.15	56C	<b>C823</b>	TEFC	None	B	12.0	67.0	
1/3	1725	115/208-230	6.4/3.2	1.15	56C	<b>C824</b>	TEFC	None	B	12.2	67.0	
1/3	1140	115/208-230	6.0/3.0-3.0	1.15	56C	<b>C825</b>	TEFC	None	B	12.5	67.0	
1/2	3450	115/208-230	7.4/3.5-3.7	1.15	56C	<b>B888</b>	TEFC	None	B	11.3		
1/2	1725	115/208-230	7.2/3.5-3.6	1.15	56C	<b>C826</b>	TEFC	None	B	12.2	67.0	
1/2	1140	115/208-230	8.4/4.0-4.2	1.15	56C	<b>C827</b>	TEFC	None	B	13.0	67.0	
3/4	3450	208-230/115	5.0-4.6/9.2	1.15	56C	<b>B889</b>	TEFC	None	B	12.2		
3/4	1725	208-230/115	5.4-5.2/10.4	1.15	56C	<b>C828</b>	TEFC	None	B	12.5	67.0	
3/4	1140	208-230/115	4.6-4.4/8.8	1.15	56C	<b>C829</b>	TEFC	None	B	13.5	85.0	5,\$
1	3450	208-230/115	6.1-6.0/12.0	1.15	56C	<b>B890</b>	TEFC	None	B	12.2		
1	1725	208-230/115	7.2-7.5/15.0	1.15	56HC	<b>C830</b>	TEFC	None	B	13.2	67.0	30
1 1/2	3450	208-230/115	8.3-8.0/16.0	1.15	56C	<b>B891</b>	TEFC	None	B	12.7		
1 1/2	1725	208-230/115	7.8-7.5/15.0	1.15	56HC	<b>C831</b>	TEFC	None	B	13.7	85.0	5,30,\$
2	3450	208-230/115	9.1-8.2/16.4	1.15	56HC	<b>B892</b>	TEFC	None	B	15.0		5,30,\$
2	1725	208-230/115	9.6-8.9/17.8	1.15	56HC	<b>C832</b>	TEFC	None	F	14.2	85.0	5,30,87,\$

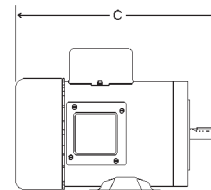


**Three Phase – 50/60 HZ – F1 assembly optional drip cover and brakes kits available. (50 HZ @ next lower HP @ 190/380 V).**

HP	RPM	Volts	Full Load Amps	Service Factor	Frame	Stock Number	Enclosure	Protector	Insulation Class	“C” Dim	Efficiency	Notes
1/4	1140	208-230/460	1.3-1.2/1.6	1.15	56C	<b>H1000</b>	TEFC	None	B	11.3		
1/3	3450	208-230/460	1.3/1.4/1.7	1.15	56C	<b>H1001</b>	TEFC	None	B	11.3		72
1/3	1725	208-230/460	1.3-1.2/1.6	1.15	56C	<b>H1002L</b>	TEFC	None	B	11.7		<b>New!</b>
1/3	1140	208-230/460	1.8-1.6/1.8	1.15	56C	<b>H1003</b>	TEFC	None	B	11.3	78.0	
1/2	3450	208-230/460	1.5-1.4/1.7	1.15	56C	<b>H1004</b>	TEFC	None	B	11.3		
1/2	1725	208-230/460	1.6-1.8/1.9	1.15	56C	<b>H1005</b>	TEFC	None	B	11.7	78.0	
1/2	1140	208-230/460	2.1-2.0/1.0	1.15	56C	<b>H1006</b>	TEFC	None	B	12.2	78.0	
3/4	3450	208-230/460	2.6-2.4/1.2	1.15	56C	<b>H1007</b>	TEFC	None	B	11.3		
3/4	1725	208-230/460	2.4-2.4/1.2	1.15	56C	<b>H1008L</b>	TEFC	None	B	11.3		<b>New!</b>
3/4	1140	208-230/460	3.2/1.6	1.15	56C	<b>H1009</b>	TEFC	None	B	12.2	78.0	
1	3450	208-230/460	3.1-3.2/1.6	1.15	56C	<b>H1010</b>	TEFC	None	B	11.3		
1	1725	208-230/460	3.3-3.4/1.7	1.15	56HC	<b>H1011L</b>	TEFC	None	B	13.0		<b>New!</b>
1	1140	208-230/460	4.2-3.8/1.9	1.15	56C	<b>H1012</b>	TEFC	None	B	12.5	78.0	
1 1/2	3450	208-230/460	4.5-4.2/2.1	1.15	56C	<b>H1013</b>	TEFC	None	B	11.7		
1 1/2	1725	208-230/460	4.5-4.4/2.2	1.15	56HC	<b>H1014L</b>	TEFC	None	B	13.0		<b>New!</b>
2	3450	208-230/460	6.0-5.6/2.8	1.15	56HC	<b>H1015</b>	TEFC	None	B	13.0		30
2	1725	208-230/460	5.9-5.6/2.8	1.15	56HC	<b>H1016L</b>	TEFC	None	B	13.2		<b>New!</b>
3	3450	208-230/460	9.6-9.8/4.9	1.15	56HC	<b>H1017</b>	TEFC	None	B	15.0		30

**Notes:**

- \$ Energy Efficient \$
- 5. \$ Energy efficient two value capacitor start capacitor run motor
- 30. 56, 140 Frame combination base (12 mounting holes)
- 72. No brake kit available
- 87. Class F insulation



# Century® Farm Building Direct Drive Fan Motors

## Features:

- Auto Protector
- Class B Insulation
- Direct Drive
- Double Sealed Ball Bearings
- Extended 10-32 Thru-bolts 3/4" Past Nut
- Fully Gasketed
- Service Factor 1.0
- Single Phase
- 60 Hz
- 40°C Ambient

## Applications:

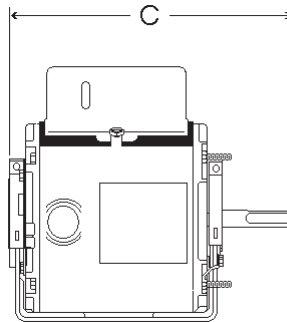
Designed for farm air movement applications.



HP	RPM	Speeds	Volts	Full Load Amps	Frame	Stock Number	Base/ Mounting	Enclosure	Shaft Dia. & Length	Rotation	"C" Dim.	Notes
<b>RESILIENT BASE</b>												
1/4	1700	1	115/230	3.4/1.7	48Z	<b>C042A</b>	Resilient Base	TEAO	1/2" x 3-1/8"	REV	10.1	70,132,133
1/4	1100	1	115/230	4.0/2.0	48Z	<b>C045A</b>	Resilient Base	TEAO	1/2" x 3-1/4"	REV	9.3	70,132,133
1/4	1100	2	115	3.41	48Z	<b>C059A</b>	Resilient Base	TEAO	1/2" x 3"	REV	10.1	70
1/3	1725	1	115/230	3.6/1.8	48Z	<b>C043A</b>	Base	TEAO	1/2" x 3-1/8"	REV	10.1	70,132,133
1/3	1100	1	115/230	4.5/2.3	48Z	<b>C046A</b>	Resilient Base	TEAO	1/2" x 3-1/4"	REV	10.0	70,132,133
1/2	1700	1	115/230	5.5/2.8	48Z	<b>C044A</b>	Resilient Base	TEAO	1/2" x 3"	REV	11.0	70,132,133
1/2	1100	1	115/230	6.5/3.25	48Z	<b>C047A</b>	Resilient Base	TEAO	1/2" x 3-1/8"	REV	11.1	70,132,133
1/2	825	1	115/230	7.1/3.6	48Z	<b>C039A</b>	Resilient Base	TEAO	1/2" x 2-1/2"	REV	11.0	70,132,133
1/2	850	1	115/230	6.6/3.3	56Z	<b>C048</b>	Cushion Base	TEAO	5/8" x 2-1/2"	RCC	12.1	70,134
<b>THRU BOLT MOUNT (10-32 UNF-2A)</b>												
1/3	1725	1	115	4.8	56Z	<b>F683</b>	Round Frame	TEAO	1/2" x 2"	RCC	11.1	62
1/3~.07	1725/850	2-2-VT	115	5.5/3.1	56Y	<b>F684</b>	Round Frame	TEAO	1/2" x 2"	RCC	11.1	62
<b>RIGID BASE</b>												
1	850/725	1	230	5.1	56CZ	<b>C783</b>	Round Frame	TEAO	5/8" x 3-1/4"	CCWLE	14.2	6,44,70

## Notes:

- 6. 60/50 Hz
- 44. CCWLE rotation only
- 62. Split Phase
- 70. Permanent Split Capacitor
- 132. Shaft sleeve and key supplied for 5/8 diameter
- 133. Shaft N-W = 2.50 with two flats .04 deep, 2.16 long, 90 degrees apart
- 134. Shaft N-W = 2.50 with 5/8 diameter and keyway



# Century® Cow Cooler Farm Motors

## Features:

- Ball Bearings
- Capacitor Start Capacitor Run
- Class B Insulation
- Low Starting Torque
- Single Phase
- 40°C Ambient
- 60 Hz
- Energy Efficient \$



C594

**Applications:** Environments requiring air movement.

HP	RPM	Volts	Full Load Amps	Service Factor	Frame	Stock Number	Base/ Mounting	Enclosure	Overload Protector	Rotation	"C" Dim.	Notes
<b>SINGLE SPEED</b>												
1	1725	115/230	9.6/4.8	1.00	56H	C593	Rigid Base	TEAO	Manual	RCW	12.7	\$
1 1/2	1725	115/230	17.0/8.5	1.00	56H	C594	Rigid Base	TEAO	Manual	RCW	12.7	\$
<b>TWO SPEED</b>												
1.0~.29	1725/1140	115	11.4/6.4	1.00	56H	C596	Rigid Base	TEAO	Manual	RCC	12.7	181,\$
1.0~.29	1725/1140	230	5.3/3.0	1.00	56H	C597	Rigid Base	TEAO	Manual	RCC	12.2	181,\$
1.5~.44	1725/1140	115	15.6/9.1	1.00	56H	C595	Rigid Base	TEAO	Manual	RCC	13.9	181,\$
1.5~.44	1725/1140	230	7.4/4.4	1.00	56H	C598	Rigid Base	TEAO	Manual	RCC	13.2	181,\$

## Notes:

- \$ Energy Efficient \$
- 181. Loose lead construction

# Century® Farm Building Belted Fan Motors

## Features:

- Automatic Reset Overload Protector
- Class B Insulation
- Double Sealed Ball Bearings
- Single Phase
- Energy Efficient \$
- Extended Thru-Bolts 3/4" Past Nut
- 60 Hz
- 40°C Ambient



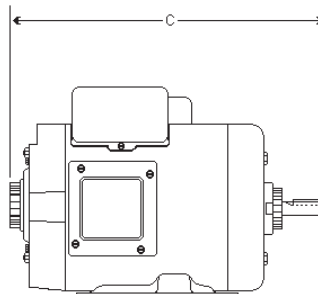
C580

**Applications:** Designed for dirty environments such as poultry houses, barns, etc. fan & belted fan only.

HP	RPM	Volts	Full Load Amps	Service Factor	Frame	Stock Number	Base/ Mounting	Enclosure	Overload Protector	Rotation	"C" Dim.	Notes
<b>SPLIT PHASE</b>												
1/3	1725	230/115	2.2/4.4	1.00	48Z	F500L	Resilient Base	TENV	Auto	REV	11.2	141
1/3	1725	230/115	3.5/7.0	1.00	48Z	F501	Cushion Base	TEAO	Auto	RCC	11.1	141
1/2	1725	230/115	3.5/7.0	1.00	56	F502	Cushion Base	TEAO	Auto	RCC	11.1	
<b>CAPACITOR START CAPACITOR RUN</b>												
1/2	1725	115/230	6.4/3.2	1.00	56	C588	Cushion Base	TEAO	Auto	RCW	11.4	\$
1/2	1725	230/115	3.2/6.4	1.00	56	C580	Rigid Base	TEAO	Auto	RCC	11.4	\$
3/4	1725	230/115	3.6/7.2	1.00	56	C581	Rigid Base	TEAO	Auto	RCC	11.9	\$
1	1725	230/115	4.8/9.6	1.00	56	C582	Rigid Base	TEAO	Auto	RCC	12.4	\$
1	1725/1425	230/115	4.3/8.6/5.2/10.4	1.40	56	C782	Rigid Base	TEAO	Auto	RCW	12.1	1,6,\$
1	1725/1425	230/115	4.3/8.6/5.2/10.4	1.40	56	C782RB	Removable Base	TEAO	Auto	RCW	12.2	6,\$ New!

## Notes:

- \$ Energy Efficient \$
- 1. Item to be discontinued when stock is depleted
- 6. 60/50 Hz
- 141. Shaft diameter is 1/2, N=1.94 with .04 deep flat



# Poultry Duty Motors

## Features:

- Ball Bearings
- Class B Insulation
- High Starting Torque
- Reversible
- Suitable for 208 Volts at 1.0 S.F.
- 40°C Ambient
- 60/50 Hz
- Energy Efficient \$



PD1050AV1



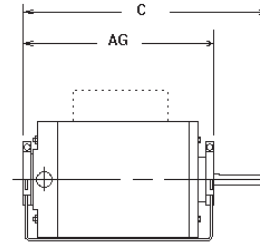
PD6104AV2

HP	RPM	Volts	Full Load Amps	Service Factor	Frame	Stock Number	Base/Mounting	Enclosure	Protector	Approx. "C"	Dim. "AG"	Notes
1/2	1725/1425	115/208-230	4.8/2.4	1.30	56	PD1050AV1	Resilient Base	TEAO	Auto	10.8	8.8	6,\$
1	1725/1425	115/230	9.0/4.5	1.30	56	PD6104AV2	Resilient Base	TEAO	Auto	12.7	10.7	6,85,\$
1	1725/1425	115/230	9.0/4.5	1.30	56	PD6104AV3	Rigid Base	TEAO	Auto	12.8	11.2	6,85,\$

## Notes:

\$ Energy Efficient \$  
 6. 60/50 HZ  
 85. Energy efficient \$ - capacitor start/capacitor run  
 See page 247 for mounting dimensions

**Shaft Dimensions**  
 56 = 5/8" Keyed x 1-7/8



# Century® Instant Reverse Farm Motors

## Instant Reverse Motors - Single Phase - Capacitor Start Solid State Switching - Totally Enclosed Fan-Cooled - Rigid Base 1800 RPM - 1/2 thru 1 HP

## Features:

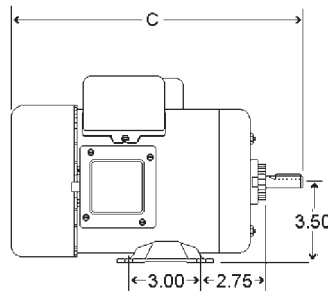
- Ball Bearings
- 40°C Ambient
- 60 Hz
- Dual Voltage
- Low Temperature Grease
- Manual Reset Overload Protector



C337

**Applications:** Reversing feeders, door openers, gates, machine tools.

HP	RPM	Volts	Full Load Amps	Service Factor	Frame	Stock Number	Base/Mounting	Enclosure	Insul. Class	Overload Protector	Rotation	"C" Dim.
<b>PT Stearns SINPAC® Solid State Instant Reverse Switch</b>												
1/2	1725	115/230	7.2/3.6	1.00	56	C337	Rigid Base	TEFC	B	Manual	RCC	12.6
3/4	1725	115/230	10.4/5.2	1.00	56	C338	Rigid Base	TEFC	B	Manual	RCC	13.4
1	1725	115/230	13.0/6.5	1.00	56	C339	Rigid Base	TEFC	B	Manual	RCC	13.4



## Single Phase – Capacitor Start – Totally-Enclosed Fan-Cooled Rigid Base and Rigid Base with C-Face – 1800 RPM – 1/3 thru 2 HP

### Features:

- High Starting Torque
- 40°C Ambient
- Ball Bearings
- Rigid Base
- 60 Hz
- Bearings Lubricated with Low Temperature Grease



**Applications:** Fans and blowers, feed lot conveyors, liquid manure spreaders, unloaders, compressors, storage bin conveyors.

HP	RPM	Volts	Full Load Amps	Service Factor	Frame	Stock Number	Enclosure	Insul. Class	Overload Protector	Rotation	“C” Dim.	Notes
1/3	1725	115/230	5.2/2.6	1.25	56	C310	TENV	B	Manual	RCC	11.1	
1/3	1725	115/230	5.2/2.6	1.25	56	C310C	TENV	B	Manual	RCC	11.1	
1/2	1725	115/230	7.2/3.6	1.25	56	C311	TEFC	B	Manual	RCC	12.2	
1/2	1725	115/230	7.2/3.6	1.25	56	C311C	TEFC	B	Manual	RCC	12.2	
3/4	1725	230/115	5.2/10.4	1.15	56	C312	TEFC	B	Manual	RCC	12.6	
3/4	1725	230/115	5.2/10.4	1.15	56	C312C	TEFC	B	Manual	RCC	12.6	
1	1725	230/115	6.0/12.0	1.15	56	C313	TEFC	B	Manual	RCC	13.4	
1	1725	230/115	6.0/12.0	1.15	56	C313C	TEFC	B	Manual	RCC	13.4	
1 1/2	1725	230/115	7.5/15.0	1.15	56	C314	TEFC	B	Manual	RCC	13.9	5,\$
1 1/2	1725	230/115	7.5/15.0	1.15	56	C314C	TEFC	B	Manual	RCC	13.9	5,\$
2	1725	230	9.0	1.15	56HZ	C319	TEFC	B	Manual	RCC	15.0	5,\$

**Notes:**

- \$ Energy Efficient \$
- 5. \$ Energy Efficient two value capacitor start capacitor run motor

## Century® High Torque Farm Equipment Motors

### Single Phase – Capacitor Start & Two Value Capacitor Designs Rigid Base – 1800 & 1200 RPM – 1 1/2 thru 10 HP

### Features:

- Ball Bearings
- 40°C Ambient
- Rigid Base
- Reversible
- 60 Hz
- Energy Efficient \$

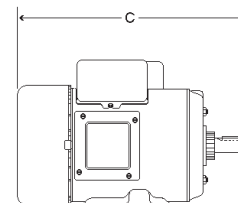


**Applications:** Vacuum pumps, compressors, conveyors and feeders.

HP	RPM	Volts	Full Load Amps	Service Factor	Frame	Stock Number	Enclosure	Insulation Class	Overload Protector	“C” Dim.	Efficiency	Notes
<b>Totally-Enclosed Fan-Cooled</b>												
1 1/2	1745	230/115	7.5/15.0	1.15	145T	K104	TEFC	B	Manual	15.0		5,\$
2	1750	115/230	24.0/12.0	1.00	182T	K213	TEFC	F	Manual	15.7	72.5	
2	1725	230/115	8.7/17.4	1.00	182TZ	K119	TEFC	B	Manual	15.5	80.7	5,\$
3	1750	230	16.0	1.00	184T	K214	TEFC	F	Manual	15.7	78.5	
5	1750	230	20.0	1.00	184T	K215	TEFC	F	Manual	19.0	84.0	5,\$
5	1750	230	23.0	1.00	213T	K310	TEFC	B	Manual	17.6	81.0	5,\$
7 1/2	1745	230	34.0	1.00	215T	K311	TEFC	B	Manual	19.1	84.0	5,\$
10	1750	230	38.0	1.00	215T	K312	TEFC	F	Manual	19.1	87.5	5,\$
<b>Surge Replacement Applications:</b> Designed for replacement on “Surge” pumps.												
5 1/2	1135	230	28.2	1.00	215T	V308	ODP	F	Manual	17.8	79.9	5,214,\$

**Notes:**

- \$ Energy Efficient \$
- 5. \$ Energy Efficient two value capacitor start, capacitor run motor
- 214. F2 Assembly



# Century® Farm-Rated Motors

## Extra High Torque Motors – Single & Three Phase – Totally-Enclosed Fan-Cooled Rigid Base and Rigid Base with C-Face – 1800 RPM – 1 thru 10 HP

### Features:

- High Starting Torque
- 40°C Ambient
- 60 Hz
- Rigid Base
- Ball Bearings
- Reversible
- All Parts Corrosion Resistant
- Removable Condensate Drain Plugs
- Service Factor 1.0



**Applications:** Designed for high starting torque loads (300-400% of full load torque). Barn cleaners, silo unloaders, stock feeding conveyors, other heavy duty farm applications.

HP	RPM	Volts	Full Load Amps	Frame	Stock Number	Enclosure	Shaft Dia. & Length	Insulation Class	Overload Protector	"C" Dim.	Efficiency	Notes
<b>Single Phase • Capacitor Start</b>												
1	1745	115/230	14.6/7.3	143T	<b>K102</b>	TEFC	7/8" x 2-1/4"	B	Manual	14.2		
1	1745	115/230	14.6/7.3	143TC	<b>K102C</b>	TEFC	7/8" x 2"	B	Manual	14.4		
1 1/2	1745	115/230	16.2/8.1	145T	<b>K103</b>	TEFC	7/8" x 2-1/4"	B	Manual	14.2		5,\$
1 1/2	1745	115/230	16.2/8.1	145TC	<b>K103C</b>	TEFC	7/8" x 2"	B	Manual	14.4		5,\$
2	1730	115/230	24.0/12.0	182TZ	<b>K204</b>	TEFC	7/8" x 2-3/4"	F	Manual	15.7	71.0	183
3	1740	230	13.7	184T	<b>K205</b>	TEFC	1-1/8" x 2-3/4"	F	Manual	16.2	83.0	5,183,\$
3	1740	230	13.7	184TC	<b>K205C</b>	TEFC	1-1/8" x 2-5/8"	F	Manual	16.9	83.0	5,183,\$
5	1740	230	22.0	184T	<b>K208</b>	TEFC	1-1/8" x 2-3/4"	F	Manual	17.4	79.0	5,183,\$
5	1740	230	22.0	184TC	<b>K208C</b>	TEFC	1-1/8" x 2-5/8"	F	Manual	16.9	79.0	5,183,\$
5	1725	230	26.0	215TZ	<b>K300</b>	TEFC	1-1/8" x 3-1/2"	B	Manual	19.2	78.6	183
7 1/2	1740	230	38.0	215TZ	<b>K301</b>	TEFC	1-1/8" x 3-1/2"	B	Manual	19.1	82.0	5,183,\$
7 1/2	1740	230	38.0	215TCZ	<b>K301C</b>	TEFC	1-1/8" x 3-1/8"	B	Manual	19.9	82.0	5,183,\$
10	1730	230	39.0	215T	<b>K302</b>	TEFC	1-3/8" x 3-1/2"	F	Manual	19.1	86.5	1,5,183,\$
10	1730	230	39.0	215T	<b>K302V1</b>	TEFC	1-3/8" x 3-1/2"	F	Manual	19.1	86.5	5,183,\$, <b>New!</b>
10	1730	230	39.0	215TC	<b>K302C</b>	TEFC	1-3/8" x 3-1/8"	F	Manual	19.9	86.5	5,183,\$
<b>Three Phase</b>												
3	1760	230/460	10.0/5.0	182T	<b>N218</b>	TEFC	1-1/8" x 2-3/4"	B	Manual	15.8	81.0	1,183
5	1750	230/460	15.0/7.5	184T	<b>N220</b>	TEFC	1-1/8" x 2-3/4"	F	Manual	16.8	86.0	1,183
7 1/2	1750	230/460	24.0/12.0	213TZ	<b>N320</b>	TEFC	1-1/8" x 3-3/8"	B	None	17.6	85.5	1,183

### Notes:

\$ Energy Efficient \$

1. Item to be discontinued when stock is depleted

5. \$ Energy Efficient two value capacitor start capacitor run motor

183. Lifting Provisions

## Single & Three Phase – Dripproof Rigid Base – 1800 RPM – 5 thru 30 HP

### Features:

- Ball Bearings
- Service Factor 1.15
- 60 Hz
- 40°C Ambient



**Applications:** Centrifugal fans and blowers, barn coolers, poultry house coolers, livestock and poultry house temperature control.

HP	RPM	Volts	Full Load Amps	Frame	Stock Number	Type	Shaft Dia. & Length	Insulation Class	Rotation	"C" Dim.	Efficiency	Notes
<b>Single Phase Capacitor Start Capacitor Run</b>												
5	1745	230	22.0	184T	V209		1-1/8" x 2-7/8"	F	REV	15.0	82.0	5,\$
7 1/2	1750	230/460	32.0/16.0	215T	V305		1-3/8" x 3-1/2"	B	REV	17.3	86.0	5,80,\$
10	1750	230/460	38.0/19.0	215T	V303		1-3/8" x 3-1/2"	F	REV	17.9	86.5	5,80,\$
<b>Three Phase</b>												
5	1760	230/460	13.6/6.8	184T	E219 ⚡	E+3(NP)	1-1/8" x 2-3/4"	F	CCW	13.7	89.5	
7 1/2	1760	230/460	19.4/9.7	213T	E317 ⚡	E+3(NP)	1-3/8" x 3-3/8"	F	CCW	17.5	91.7	8
10	1755	230/460	25.2/12.6	215T	E397 ⚡	E+3(NP)	1-3/8" x 3-3/8"	F	CCW	17.3	91.7	8
15	1770	230/460	37.8/18.9	254T	E451 ⚡	E+3(NP)	1-5/8" x 4"	F	CCW	22.1	93.0	
20	1765	230/460	49.0/24.5	256T	E407 ⚡	E+3(NP)	1-5/8" x 3-3/4"	F	CCW	22.1	93.6	23
25	1765	230/460	61.0/30.5	284T	E514 ⚡	E+3(NP)	1-7/8" x 4-3/8"	F	CCW	24.3	93.6	23
30	1765	230/460	73.2/36.6	286T	E516V2 ⚡	E+3(NP)	1-7/8" x 4-3/8"	F	CCW	25.8	94.1	

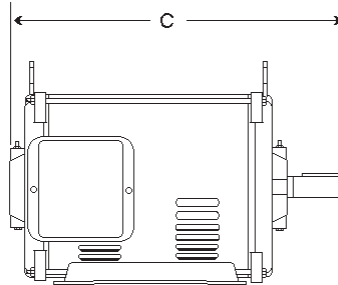
### Notes:

- \$ Energy Efficient \$
- 5. \$ Energy efficient two value capacitor start, capacitor run motor
- 8. NEMA design A
- 23. Suitable for 200/400 volt and 50 HZ
- 80. Large capacitor/terminal box construction



Motors specially designed, tested and warranted to be **Corona-Free** for compatible inverter duty are marked on this page with a ⚡. See page 4 and 5 of this catalog for more Speed Engineered® motors information.

Published efficiency on tri-voltage rated motors applies at 230/460 volts. Performance at 200 or 208 volts may not be in accordance with NEMA standards.



# Century® Crop Dryer Farm Motors

## Direct Drive Only – Single & Three Phase – Dripproof Air-Over and Totally Enclosed Air-Over – Rigid Base – 3600 & 1800 RPM 5-7 thru 10-14 HP

### Features:

- Ball Bearings
- Class F Insulation
- Moisture Resistant
- Copper Wire Wound
- 60 Hz
- Service Factor 1.0
- Rust-Resistant Rotor
- Shaft Drilled & Tapped in End
- 50°C Ambient
- Winding Thermostats
- Switchless Design
- Long Leads



R327

**Applications:** For tubeaxial and vaneaxial direct drive dryers.

HP	RPM	Volts	Full Load Amps	Frame	Stock Number	Enclosure	Shaft Diameter and Length	Overload Protector	Rotation	"C" Dim.	Efficiency	Notes
<b>Single Phase • Permanent Split Capacitor • Open Dripproof Air-Over</b>												
5-7	3440	200-230	32.0-28.0	184TZ	K220	ODP	1-1/8" x 4-1/2"	Thermostat	REV	17.9	81.0	
7-10.5	3450	200-230	48.0-41.0	184TZ	K221	ODP	1-1/8" x 4-1/2"	Thermostat	REV	18.8	82.0	
7.5-10.5	3450	200-230	43.0-38.0	215TZ	K320	ODP	1-1/8" x 4-1/2"	Thermostat	REV	19.9	84.4	
10-12	1720	230	40.0-48.0	215TZ	K327	ODP	1-3/8" x 5-1/2"	Thermostat	REV	21.9	83.0	31
10-14	3450	200-230	57.0-52.0	215TZ	K321	ODP	1-1/8" x 4-1/2"	Thermostat	REV	20.9	86.5	
<b>Single Phase • Permanent Split Capacitor • Totally Enclosed Air-Over</b>												
7-10.5	3480	200-230	45.0-40.0	184TZ	K236	TEAO	1-1/8" x 4-1/2"	Thermostat	REV	21.0	83.5	
<b>Three Phase • Totally Enclosed Air-Over</b>												
5-7	3500	208-230/460	19.0-17.0/8.5	184TZ	R244	TEAO	1-1/8" x 4-1/2"	Thermostat	REV	17.1	84.0	
7.5-10.5	3500	208-230/460	27.0-25.0/12.5	184TZ	R243	TEAO	1-1/8" x 4-1/2"	Thermostat	REV	20.0	84.0	
10-14	3460	230/460	36.0/18.0	215TZ	R327	TEAO	1-1/8" x 4-1/2"	Thermostat	REV	20.0	88.0	

# Century® Aeration Fan Farm Motors

## Fan Duty Only – Single & Three Phase – Totally-Enclosed Air-Over Rigid Base – 3600 RPM – 1/2 thru 3-4 HP

- Features:** • Ball Bearings • Class B Insulation • 60 Hz • 40°C Ambient • Service Factor 1.0



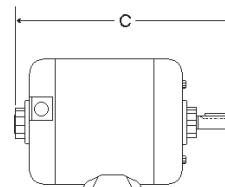
B221

**Applications:** Direct replacement for many OEM models.

HP	RPM	Volts	Full Load Amps	Frame	Stock Number	Enclosure	Shaft Diameter and Length	Overload Protector	Rotation	"C" Dim.	Notes
<b>Single Phase</b>											
1/2	3450	115/230	6.4/3.2	48Z	B666	TENV	1/2" x 2"	Auto	RCC	10.4	45
1/2	3450	115/230	5.8/2.9	56	B220	TEAO	5/8" x 1-7/8"	Auto	RCC	11.1	70
3/4	3450	115/230	8.0/4.0	56	B221	TEAO	5/8" x 1-7/8"	Auto	RCW	11.4	70
1	3450	115/230	9.2/4.6	56	B222	TEAO	5/8" x 1-7/8"	Auto	RCC	12.2	70
1 1/2	3450	230	6.5	143T	K117	TEAO	7/8" x 2-1/4"	Auto	RCW	12.6	70,182
2	3450	230	8.4	145T	K118	TEAO	7/8" x 2-1/4"	Auto	RCW	13.1	70,182
3-4	3450	230	12.4-17.0	145T	K112	TEAO	7/8" x 2-1/4"	Thermostat	RCC	13.8	5,116,182,\$
3	3450	230	15.4	145T	K116	TEAO	7/8" x 2-1/4"	Thermostat	RCW	13.8	70,116,182
<b>Three Phase</b>											
3/4	3450	208-230/460	2.6-2.4/1.2	56	H041	TEAO	5/8" x 1-7/8"	None	RCC	11.1	
1	3450	208-230/460	2.8-2.7/1.35	56	H042	TEAO	5/8" x 1-7/8"	None	RCC	11.1	
1 1/2	3450	208-230/460	4.4-4.2/2.1	143T	R180	TEAO	7/8" x 2-1/4"	Thermostat	RCC	12.1	116,182
2	3450	208-230/460	7.1-6.8/3.4	145T	R181	TEAO	7/8" x 2-1/4"	Thermostat	RCC	12.1	116,182
3-4	3450	230/460	8.4/4.2	145T	R155	TEAO	7/8" x 2-1/4"	Thermostat	RCC	12.1	116,177,182

### Notes:

- \$ Energy Efficient \$
- 5. \$ Energy efficient two value capacitor start, capacitor run motor
- 31. 40 Degree C ambient
- 45. Capacitor start
- 70. Permanent split capacitor
- 116. Temperature sensitive thermostat with two leads for connection to external control
- 177. Meets the requirements of the Energy Policy Act of 1992
- 182. Locked bearing on drive end





## Direct Drive – Capacitor Start – Single Phase & Three Phase Totally Enclosed Fan Cooled - No Base – 1800 RPM – 1/3 thru 1-1/2 HP

### Features:

- New “N” Flange Bracket
- Torque Switch and Governor
- Double Sealed Ball Bearing
- 60 Hz
- High Starting Torque
- Service Factor 1.0
- 40°C Ambient



**Applications:** Designed for direct drive poultry and swine auger feeding systems.

HP	RPM	Volts	Full Load Amps	Frame	Stock Number	Base/ Mounting	Enclosure	Shaft Dia. & Length	Insulation Class	Overload Protector	Rotation	“C” Dim	Notes
<b>Single Phase</b>													
1/3	1725	115/230	5.5/2.8	56N	<b>C330</b>	Round Frame	TENV	1/2” x 1-3/4”	B	Manual	RCC	9.6	
1/2	1725	115/230	7.2/3.6	56N	<b>C331</b>	Round Frame	TEFC	1/2” x 1-3/4”	B	Manual	RCC	12.4	
3/4	1725	230/115	5.2/10.4	56N	<b>C332</b>	Round Frame	TEFC	1/2” x 1-3/4”	B	Manual	RCC	12.4	
1	1725	230/115	6.0/12.0	56N	<b>C333</b>	Round Frame	TEFC	5/8” x 2.10”	B	Manual	RCC	13.3	
1 1/2	1725	230/115	6.6/13.2	56N	<b>C340</b>	Round Frame	TEFC	5/8” x 2.10”	B	Manual	RCW	14.5	
<b>Three Phase</b>													
1/3	1725	200-230/460	1.2-1.2/.06	56N	<b>C345</b>	Round Frame	TENV	1/2” x 1-3/4”	B	Manual	RCC	9	<b>NEW!</b>
1/2	1725	200-230/460		56N	<b>C346</b>	Round Frame	TEFC		B	Manual	RCC		<b>NEW!</b>
3/4	1725	200-230/460		56N	<b>C347</b>	Round Frame	TEFC		B	Manual	RCC		<b>NEW!</b>
1	1725	200-230/460		56N	<b>C348</b>	Round Frame	TEFC		B	Manual	RCC		<b>NEW!</b>
1 1/2	1725	200-230/460		56N	<b>C349</b>	Round Frame	TEFC		B	Manual	RCC		<b>NEW!</b>

## Century® Grain Stirring Farm Motors

### Single Phase – Capacitor Start Capacitor Run – Totally Enclosed Fan Cooled – Rigid Base – 1800 RPM – 1- 1/2 HP

### Features:

- Moisture Resistant
- 40°C Ambient
- 60 Hz
- Ball Bearings
- Keyed Shaft
- Service Factor 1.0
- Reversible
- 205 Bearing, Shaft End



**Applications:** Designed for interior grain bin installations.

HP	RPM	Volts	Full Load Amps	Frame	Stock Number	Enclosure	Shaft Dia. & Length	Insul. Class	Overload Protector	Rotation	“C” Dim.	Notes
1 1/2	1725	230	7.4	56Y	<b>C317V1</b>	TEFC	7/8” x 1.44”	B	Manual	RCC	13.3	301

**Note:**

301. 115 volt tap off main winding to power gear drive unit

## Century® Replacement Zero Milk Tank Farm Motors

### PMDC Motor – Totally Enclosed Non-Ventilated – 95 VDC

### 950 RPM – Intermittent-Duty – 1/2 thru 1 HP



D211

#### Features:

- Double Sealed Ball Bearings
- Round Frame
- Non-toxic, White Epoxy Paint, FDA Approved for Contact with Food
- Shaft Seal
- All Bracket to Frame Fits and Terminal Cover have Internal O-ring
- Gasketed Brush Access Covers
- 1/2" - 14 Tapped Conduit Hole
- Stainless Steel Shaft, with or without O-ring Grooves on Shaft

**Applications:** Improved design to replace motors on Zero Milk Tank.

HP	RPM	Volts	Full Load Amps	Stock Number	Bearings	Enclosure	Insulation Class	Rotation	"C" Dim.	O-ring Grooves	Notes
1/2	950	95	5.2	D201	Ball	TENV	F	REV	15.2	No	
1/2	950	95	5.2	D211	Ball	TENV	F	REV	15.2	Yes	
1	950	95	11.0	D202	Ball	TENV	F	REV	17.2	No	
1	950	95	11.0	D212	Ball	TENV	F	REV	17.2	Yes	

#### Note:

See page 254 for motor dimensions.

## Century® Milk Pump Farm Motors

### Single Phase & Three Phase – Permanent Split Capacitor – Totally-Enclosed Non-Ventilated – Rigid Base – 3600 RPM – 1/2 thru 1 HP

#### Features:

- Ball Bearings
- Service Factor 1.0
- Weatherproof Features for Washdown
- Non-Reversible, CW Rotation Facing End Opposite Shaft
- 60 Hz
- Stainless Steel Shaft
- 40°C Ambient
- Cast Iron NEMA "C" End Bracket



B585

**Applications:** Milk transfer pump.

HP	RPM	Volts	Full Load Amps	Frame	Stock Number	Enclosure	Shaft	Insul. Class	Overload Protector	Rotation	"C" Dim.	Notes
<b>Single Phase</b>												
1/2	3450	115/230	6.6/3.3	56CZ	B587	TENV	Threaded	B	Auto	CW	11.3	114
1/2	3450	208-230	2.8-2.7	56HCZ	B584	TENV	Threaded	B	Auto	CW	12.4	114
3/4	3450	208-230	4.0-3.8	56HCZ	B582	TENV	Keyed	B	Auto	CW	12.2	
3/4	3450	208-230	4.0-3.8	56HCZ	B585	TENV	Threaded	B	Auto	CW	12.4	114
3/4	3450	208-230	4.0-3.8	56HCZ	B592	TENV	Special	B	Auto	RCW	13.4	223
1	3450	208-230	4.8-4.5	56HCZ	B583	TENV	Keyed	B	Auto	CW	12.2	
1	3450	208-230	4.8-4.5	56HCZ	B586	TENV	Threaded	B	Auto	CW	12.4	114
<b>Three Phase</b>												
1/2	3450	208-230/460	1.9-1.8/0.9	56HCZ	B596	TENV	Threaded	B	Auto	CW//CCW	11.9	NEW!
3/4	3450	208-230/460	2.5-2.4/1.2	56HCZ	B597	TENV	Special	B	Auto	RCW	13.4	NEW!
3/4	3450	208-230/460		56HCZ	B598	TENV	Key	B	Auto	RCW		NEW!
1	3450	208-230/460	3.3-3.2/1.6	56HCZ	B595	TENV	Keyed	B	Auto	RCW	12.2	NEW!
1	3450	208-230/460		56HCZ	B599	TENV	Threaded	B	Auto	RCW		NEW!

#### Notes:

114. Threaded shaft Acme threads

223. Direct replacement for Surge milk pumps, Babson motor #27732, requires 30 MFD/370 VAC capacitor, separately - not supplied

# Premium Efficiency Two-Speed Pool and Spa Motor with Integrated Timer



A premium efficiency motor in the Centurion motor family.



B2980T

## Features:

- Integrated Timer Interface
- Timer Mode
- Adjustable Contrast
- Manual Mode
- Over Current Protection
- Battery Backup - Program Saver
- LCD Display with Backlight
- Ball Bearing
- Class B Insulation
- 50°C Ambient
- High Efficiency High and Low Speed
- Open Dripproof
- Rotation: CCW Pump End
- Single Phase
- 303 Stainless Steel Shaft

## Two-Speed - "1081" Capacitor Run Low Speed, PSC High Speed, Sq. Flange

HP	RPM	Volts	Service Factor	Service Factor Amps	Stock Number	Total HP	Percent Energy Savings*	Yearly \$ Savings**
3/4 ~ .10	3450/1725	230	1.67	6.0/1.0	B2980T	1.25	58%	\$633.32
3/4 ~ .10	3450/1725	115	1.67	12.4/2.2	B2981T	1.25	55%	\$606.29
1 ~ .13	3450/1725	230	1.65	7.4/1.4	B2982T	1.65	51%	\$625.60
1 1/2 ~ .19	3450/1725	230	1.47	10.0/1.6	B2983T	2.21	51%	\$687.79
2 ~ .25	3450/1725	230	1.30	11.0/1.8	B2984T	2.60	53%	\$634.53

\*Savings over the equivalent single speed motor.

\*\* Calculated @ \$.23 per Kilowatt hour, pumping same amount of water as a single speed motor, eight hours per day.

See the Energy Savings Calculator at: [www.pool-motors.com](http://www.pool-motors.com)

## Century® C-Face Pool and Spa Motors with Timer

### Features:

- Integrated Timer Interface
- Timer Mode
- Adjustable Contrast
- Manual Mode
- Over Current Protection
- Battery Backup - Program Saver
- LCD Display with Backlight
- Ball Bearing
- Class B Insulation
- 40°C Ambient
- High Efficiency High and Low Speed
- Open Dripproof
- Rotation: CCW Pump End
- Single Phase
- 303 Stainless Steel Shaft

## Two Speed "1081" Capacitor Run Low Speed, PSC High Speed, C-Face

HP	RPM	Volts	Service Factor Amps	Service Factor	THP	Frame	Stock Number	Overload Protector	Shaft	"C" Dimension	Notes
3/4~.10	3450/1725	115	12.2/2.2	1.50	1.13	56J	B2973T ★	Auto	Threaded	12.30	12,\$
1~.12	3450/1725	230	6.1/1.5	1.40	1.40	56J	B2975T ★	Auto	Threaded	13.05	12,\$
2~.25	3450/1725	230	11.0/1.6	1.20	2.4	56J	B2979T ★	Auto	Threaded	13.55	12,\$
3~.38	3450/1725	230	13.8/4.0	1.15	3.45	56J	B966T ★	Auto	Threaded	14.29	12,68,\$

### Notes:

\$ Energy efficient

12. 303 Stainless steel shaft

68. PSC motor

★ Meets California Energy

Commission Appliance Regulations 2008

(Publication Number CEC-400-2006-002-REV1) [www.energy.ca.gov](http://www.energy.ca.gov)

### Important:

The pool motors on this page are **NOT equipped with a Safety Vacuum Release System (SVRS)**. SVRS helps prevent drowning due to body entrapment on underwater drains. In some pool configurations, if a person's body covers the drain, the person can be trapped by suction. The SVRS turns off the pump if this occurs.

**⚠ WARNING** Depending on your pool configuration, a SVRS may be required to meet local, state, and federal requirements.

# Premium Efficiency Variable Speed Motor



## Features:

- Integrated Timer Interface
- On- and Off-Board Mountable Interface
- Timer Mode
- Manual Mode
- Freeze Protection
- Auxiliary Load Capacity
- Configurable Prime Settings
- Noise Reduction Design
- Adjustable Contrast
- Power Factor Correction
- Factory Reset
- Battery Backup - Program Saver
- LCD Display with Backlight
- Ball Bearing
- TEFC
- Rotation: CCWPE
- Single Phase
- 303 Stainless Steel Shaft
- Class F Insulation
- 50°C Ambient
- UV and Rain-Proof Enclosure

THP	RPM	Volts	Service Factor	Full Load Amps	Stock Number	Flange	Percent Energy Savings*	Yearly \$ Savings**
3/4 min. – 2.7 max	3450/600	230	1.0	10.5/0.5	<b>ECM27SQU</b>	Square	80%	\$1318.05
3/4 min. – 2.7 max	3450/600	230	1.0	10.5/0.5	<b>ECM27CU</b>	C-Face	80%	\$1318.05

\*Savings over the equivalent single-speed motor.

\*\*Calculated @ \$.23 per Kilowatt hour, pumping same amount of water as a single-speed motor, eight hours per day.

See the Energy Savings Calculator at: [www.pool-motors.com](http://www.pool-motors.com)

## The reasons a V-Green® premium-efficiency replacement motor can offer such impressive savings are numerous including:

- An integrated timer interface allows for easier installation and operation of a variable speed motor. The all-in-one design reduces installation time and expense with no additional wiring required. The interface can be installed off-board at the pool owner's discretion with kit# 2512723-001 (sold separately).
- The amount of horsepower required to move the water through the pipes drops much more quickly than the speed. While it may take one horsepower to move the water through the pipes on high speed, it only takes 1/8 horsepower to move one half as much water through those same pipes on low speed. Even when run on low speed twice as long to pump the same amount of water as on high speed, the lower horsepower results in significant energy savings.



### Important:

The pool motors on this page are **NOT equipped with a Safety Vacuum Release System (SVRS)**. SVRS helps prevent drowning due to body entrapment on underwater drains. In some pool configurations, if a person's body covers the drain, the person can be trapped by suction. The SVRS turns off the pump if this occurs.

**⚠ WARNING** Depending on your pool configuration, a SVRS may be required to meet local, state, and federal requirements.

## EASY TO INSTALL - PROTECTS PUMP - IMPROVES POOL SAFETY

### Features:

- Easy to install
- Auto-Reset
- Auto-Calibration
- Ball Bearing
- Economical
- 60 HZ
- Stainless Steel Shaft
- Nerve Center (lighting sequence)
- 3/4 to 3 HP
- Single-Speed
- Single Phase
- Run/Restart/Rest/Bypass Mode
- Tamper-Resistant Housing
- Compatible with all flow rates



USQG1152A

### Applications:

Century® Guardian® motors comply with requirements for safety vacuum release systems in the Virginia Graeme Baker Pool and Spa Safety Act of 2007. Guardian® motors on this page pass ASME A112.19.17 SVRS standard.

Guardian® motors will not prevent evisceration, hair, object or partial limb entrapment and is designed for suction lift applications.

HP	RPM	Volts	Max. Amps	Service Factor	THP	Frame	Stock Number	Shaft	Rating	Approx. "AG"	Notes
<b>TWO COMPARTMENT, C-FACE</b>											
1	3450	115/230	15.0/7.5	1.10	1.10	56J	USTG1102A	Threaded	Up	11	
1	3450	115/230	18.6/9.3	1.50	1.50	56J	STG1102A	Threaded	Full	12-1/8	
1-1/2	3450	115/230	18.6/9.3	1.00	1.50	56J	USTG1152A	Threaded	Up	12-1/8	
2	3450	208-230	12.6/11.4	1.32	2.64	56J	STG1202A	Threaded	Full	13-1/16	
3	3450	208-230	14.5/13.8	1.15	3.45	56J	STG1302A	Threaded	Full	14-3/16	
<b>CENTURION, C-FACE</b>											
1	3450	230/115	7.2/14.4	1.40	1.4	56J	BG128A	Threaded	Full	10	
1-1/2	3450	230/115	9.2/18.4	1.30	1.95	56J	BG129A	Threaded	Full	11	
2	3450	230	10.5	1.20	2.40	56J	BG130A	Threaded	Full	10-1/2	
3	3450	230	14.1	1.15	3.45	56J	BG131A	Threaded	Full	11-9/16	
<b>TWO COMPARTMENT, SQUARE FLANGE</b>											
3/4	3450	115/230	11.8/5.9	1.27	0.95	48Y	USQG1072A	Threaded	Up	11-1/2	
1	3450	115/230	14.8/7.4	1.25	1.25	48Y	USQG1102A	Threaded	Up	12-1/8	
1-1/2	3450	115/230	19.2/9.6	1.10	1.65	48Y	USQG1152A	Threaded	Up	13-1/8	
2	3450	230	11.2	1.30	2.60	48Y	SQG1202A	Threaded	Full	13-7/8	
3	3450	230	15.4	1.15	3.45	56Y	SQG1302A	Threaded	Full	14	
<b>CENTURION, SQUARE FLANGE</b>											
1	3450	230/115	7.1/14.2	1.25	1.25	56Y	BG853A	Threaded	Up	9-7/8	
1	3450	230/115	8.0/16.0	1.65	1.65	56Y	BG848A	Threaded	Full	10-1/4	
1-1/2	3450	230/115	8.0/16.0	1.10	1.65	56Y	BG854A	Threaded	Up	10-1/4	
2	3450	230	10.0	1.10	2.20	56Y	BG855A	Threaded	Up	10-7/8	
2	3450	230	11.5	1.30	2.60	56Y	BG748A	Threaded	Full	12-3/4	
3	3450	208-230	15.0-13.6	1.15	3.45	56Y	BG2844A	Threaded	Full	13-5/8	

### Notes:

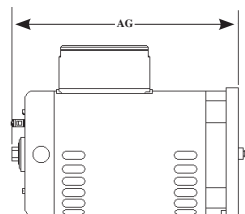
#### Guardian® Motors Also:

Facilitates no main drain pool designs in place of an equalizer line. Guardian® motors shut off the motor/pump when the water level drops below the skimmer.

Reduces pump, motor and seal damage.

Shut off the motor/pump if any of the following conditions occur: Dry, blocked or jammed pump conditions; locked rotor, loss of prime, or abnormal voltage variations.

Detect clogged or blocked filters and shuts down the pump.



**⚠ WARNING** Guardian® SVRS helps prevent body entrapment on drains due to suction only. It does NOT protect against the four other types of entrapment:

**Hair Entanglement:** if long hair is pulled into some drains by the flowing water, it can become knotted or snagged, trapping the swimmer underwater and leading to drowning.

**Mechanical Entrapment:** small items or body parts (e.g., jewelry, swimsuit, hair decorations, fingers, toes, or knuckles) can be caught in some drains or drain covers, trapping the swimmer underwater and leading to drowning.

**Limb Entrapment:** arms or legs can become trapped in uncovered drains, leading to drowning.

**Evisceration/Disembowelment:** if a person sits on some drains, the suction can pull the lower intestine out of the rectum, causing irreversible damage.

## Two Compartment NEMA C-Face Pool Filter Motors • Single Speed

### Features:

- Auto Protector
- Open Dripproof
- Sealed Ball Bearings
- “1081” Design
- 304 Brg. Shaft End
- Capacitor Start and Capacitor Start-Capacitor Run
- NEMA “56C” Face Mount
- Rotation: CCW Pump End
- Sealed Switch Design
- 50°C Ambient
- 60 Hz
- 303 Stainless Shaft (56J & 56C)



SK1072



CT1072

### HIGH SERVICE FACTOR (FULL RATED) - STANDARD EFFICIENCY AND “CONSERVATIONIST™” HIGH EFFICIENCY DESIGNS

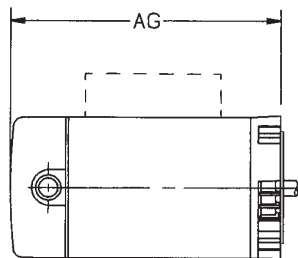
HP	RPM	Volts	Max. Amps	Service Factor	THP	Frame	Stock Number	Shaft	Approx. “AG”	Notes
1/2	3450	115/230	10.6/5.3	1.6	0.8	56C	SK1052	Key	11	
1/2	3450	115/230	8.0/4.0	1.6	0.8	56C	CK1052★	Key	11	20,\$
1/2	3450	115/230	11.0/5.5	1.6	0.8	56J	ST1052	Thd.	10-5/8	
1/2	3450	115/230	8.0/4.0	1.6	0.8	56J	CT1052★	Thd.	11	20,\$
3/4	3450	115/230	14.6/7.3	1.5	1.13	56C	SK1072	Key	11-9/16	
3/4	3450	115/230	11.0/5.5	1.5	1.13	56C	CK1072	Key	11-11/16	20,\$
3/4	3450	115/230	15.0/7.5	1.5	1.13	56J	ST1072	Thd.	11	
3/4	3450	115/230	11.0/5.5	1.5	1.13	56J	CT1072	Thd.	11-11/16	20,\$
1	3450	115/230	17.0/8.5	1.5	1.5	56C	SK1102	Key	12-1/8	
1	3450	115/230	13.6/6.8	1.4	1.4	56C	CK1102	Key	12-1/8	20,\$
1	3450	115/230	18.6/9.3	1.5	1.5	56J	ST1102	Thd.	12-1/8	
1	3450	115/230	13.6/6.8	1.4	1.4	56J	CT1102	Thd.	12-1/8	20,\$
1-1/2	3450	115/230	19.4/9.7	1.3	1.95	56C	SK1152	Key	12-5/8	20,\$
1-1/2	3450	115/208-230	19.6/10.4-9.8	1.5	2.25	56J	ST1152	Thd.	12-5/8	20,\$
2	3450	230	11.2	1.3	2.6	56C	SK1202	Key	13-1/16	20,\$
2	3450	208-230	12.6-11.4	1.3	2.6	56J	ST1202	Thd.	13-1/16	20,\$
3	3450	230	14.4	1.15	3.45	56C	SK1302V1	Key	13-5/8	20,\$
3	3450	208-230	14.5-13.8	1.15	3.45	56J	ST1302V1	Thd.	14-3/16	20,\$

### Notes:

\$ Energy efficient

20. \$ Energy Efficient capacitor start, capacitor run “Conservationist™” motor  
See page 247 for mounting dimensions.

★ Meets California Energy Commission Appliance Regulations 2008  
(Publication Number CEC-400-2006-002-REV1)  
www.energy.ca.gov



### Important:

1. Total output (HP x service factor) of replacement motor must equal or exceed motor being replaced.
2. The pool motors on this page are **NOT equipped with a Safety Vacuum Release System (SVRS)**. SVRS helps prevent drowning due to body entrapment on underwater drains. In some pool configurations, if a person’s body covers the drain, the person can be trapped by suction. The SVRS turns off the pump if this occurs.

**⚠ WARNING** Depending on your pool configuration, a SVRS may be required to meet local, state, and federal requirements.

# Two Compartment NEMA C-Face Pool Filter Motors • Single Speed

## Features:

- Auto Protector
- Sealed Switch Design
- Sealed Ball Bearings
- NEMA “56C” Face Mount
- Open Dripproof
- “1081” Design
- 50°C Ambient
- 60 Hz
- Rotation: CCW Pump End
- 304 Brg. Shaft End
- 303 Stainless Shaft (56J & 56C)
- Capacitor Start and Capacitor Start-Capacitor Run



UST1072

## LOW SERVICE FACTOR (UP-RATED) - STANDARD EFFICIENCY AND “CONSERVATIONIST™” HIGH EFFICIENCY DESIGNS

HP	RPM	Volts	Max. Amps	Service Factor	THP	Frame	Stock Number	Approx. Shaft	“AG”	Notes
3/4	3450	115/230	11.0/5.5	1.0	.75	56J	UST1072	Thd.	10-5/8	
3/4	3450	115/230	8.0/4.0	1.0	.75	56J	UCT1072 ★	Thd.	11	20,\$
1	3450	115/230	15.0/7.5	1.1	1.1	56J	UST1102	Thd.	11	
1	3450	115/230	11.0/5.5	1.0	1.0	56J	UCT1102	Thd.	11-11/16	20,\$
1-1/2	3450	115/230	18.6/9.3	1.0	1.5	56J	UST1152	Thd.	12-1/8	
1-1/2	3450	115/230	14.6/7.3	1.0	1.5	56J	UCT1152	Thd.	12-1/8	20,\$
2	3450	115/208-230	19.6/10.4-9.8	1.1	2.2	56J	UST1202	Thd.	12-5/8	20,\$
2-1/2	3450	208-230	12.6/11.4	1.1	2.75	56J	UST1252	Thd.	13-1/16	20,\$

# Two Compartment NEMA C-Face Pool Filter Motors • Two-Speed

## Features:

- Auto Protector
- Sealed Switch Design
- Rotation: CCW Pump End
- All Copper Windings
- Open Dripproof
- “1081” Design
- 50°C Ambient
- 60 Hz
- 303 Stainless Steel Threaded Shaft
- Sealed Ball Bearings (304 Shaft End)
- Capacitor Start/Capacitor Run



STS1072RV1

Century® NEMA C flange swimming pool filter pump motors are carefully engineered to meet the rugged demands of pool duty. Two sealed ball bearings (with large 304 bearing on shaft end) offer ample capacity for extended life. Bearings are selected for quietness and are lubricated for life with greases specifically chosen for moisture and heat resistant qualities. Aluminum end frames are accurately machined for maximum concentricity and minimum runout.

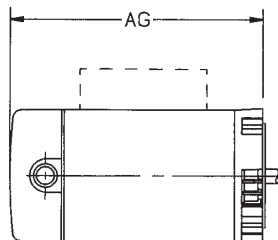
Two-speed motors are shipped less hi/lo switch for remote operation. End cover and switch assembly kit number 1011431-001 available and sold separately.

HP	RPM	Volts	Max. Amps Hi - Lo	Service Factor	THP	Frame	Stock Number	Shaft	Approx. “AG”	Notes
3/4~1/10	3450/1725	230	5.4/2.2	1.5	1.13	56J	STS1072RV1 ★	Thrd	12-1/8	90,\$
1~1/8	3450/1725	230	7.0/2.3	1.5	1.5	56J	STS1102RV1 ★	Thrd	12-1/2	90,\$
1-1/2~1/4	3450/1725	230	9.0/3.3	1.3	1.95	56J	STS1152R ★	Thrd	13-1/16	20,\$

## Notes:

§ Energy efficient  
 20. \$ Energy Efficient capacitor start, capacitor run “Conservationist” motor  
 90. 50 degree C ambient  
 See page 247 for mounting dimensions.

★ Meets California Energy Commission Appliance Regulations 2008 (Publication Number CEC-400-2006-002-REV1) [www.energy.ca.gov](http://www.energy.ca.gov)



## Important:

1. Total output (HP x service factor) of replacement motor must equal or exceed motor being replaced.
2. The pool motors on this page are **NOT equipped with a Safety Vacuum Release System (SVRS)**. SVRS helps prevent drowning due to body entrapment on underwater drains. In some pool configurations, if a person’s body covers the drain, the person can be trapped by suction. The SVRS turns off the pump if this occurs.

**⚠ WARNING** Depending on your pool configuration, a SVRS may be required to meet local, state, and federal requirements.

# Century® C-Face Pool and Spa Pump Motors

## Permanent Split Capacitor – Switchless – Single Phase – Dripproof No Base – 3450 RPM 1/2 thru 4 HP

### Features:

- Ball Bearings
- 50°C Ambient
- 60 Hz
- Class B Insulation
- 304 Bearing Shaft End
- Rotation: CCW Pump End



B126

### Centurion® “1081” • Full Rate • High Service Factor • Aluminum NEMA “C” Brackets

HP	RPM	Volts	Service Factor Amps	Service Factor	THP	Frame	Stock Number	Overload Protector	Shaft	“C” Dimension	Notes
1/2	3450	230/115	4.4/8.8	1.60	0.8	56C	<b>B120★</b>	Auto	Keyed	11.44	
1/2	3450	230/115	4.4/8.8	1.60	0.8	56J	<b>B126★</b>	Auto	Threaded	11.94	12
3/4	3450	230/115	6.0/12.0	1.50	1.13	56C	<b>B121</b>	Auto	Keyed	11.44	
3/4	3450	230/115	6.0/12.0	1.50	1.13	56J	<b>B127</b>	Auto	Threaded	12.01	12
1	3450	230/115	7.2/14.4	1.40	1.4	56C	<b>B122</b>	Auto	Keyed	11.89	
1	3450	230/115	7.2/14.4	1.40	1.4	56J	<b>B128</b>	Auto	Threaded	12.14	12
1-1/2	3450	230/115	9.2/18.4	1.30	1.95	56C	<b>B123</b>	Auto	Keyed	13.19	
1-1/2	3450	230/115	9.2/18.4	1.30	1.95	56J	<b>B129</b>	Auto	Threaded	13.50	12
2	3450	230/115	10.8/21.6	1.20	2.4	56C	<b>B835</b>	Auto	Keyed	13.94	
2	3450	230	10.5	1.20	2.4	56C	<b>B124</b>	Auto	Keyed	12.55	
2	3450	230/115	10.8/21.6	1.20	2.4	56J	<b>B836</b>	Auto	Threaded	13.90	12
2	3450	230	10.5	1.20	2.4	56J	<b>B130</b>	Auto	Threaded	13.10	12
3	3450	230	14.1	1.15	3.45	56C	<b>B125</b>	Auto	Keyed	13.65	
3	3450	230	14.1	1.15	3.45	56J	<b>B131</b>	Auto	Threaded	14.15	12
4	3450	208-230	21.0-19.4	1.25	5.0	56Y	<b>B116</b>	Manual	Special	16.78	31,34,63,236

### Centurion® SE “1081” • Up Rate • Low Service Factor

HP	RPM	Volts	Service Factor Amps	Service Factor	THP	Frame	Stock Number	Overload Protector	Shaft	“C” Dimension	Notes
3/4	3450	230/115	4.4/8.8	1.00	.75	56J	<b>B227SE★</b>	Auto	Threaded	12.56	12
1	3450	230/115	6.0/12.0	1.00	1.0	56J	<b>B228SE</b>	Auto	Threaded	12.81	12
1-1/2	3450	230/115	7.2/14.4	1.00	1.5	56J	<b>B229SE</b>	Auto	Threaded	13.91	12
2	3450	230/115	9.2/18.4	1.00	2.0	56J	<b>B230SE</b>	Auto	Threaded	14.31	12
2-1/2	3450	230	10.5	1.00	2.5	56J	<b>B231SE</b>	Auto	Threaded	13.81	12

### Notes:

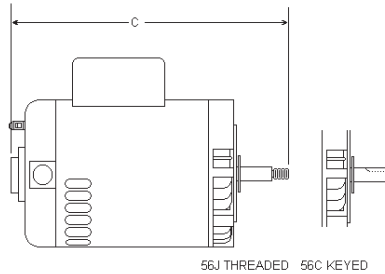
- 12. 303 Stainless steel shaft
- 31. 40 degree C ambient
- 34. Rigid base
- 63. Speck Pump replacement motor
- 236. CCW Rotation facing opposite shaft end

★ Meets California Energy Commission Appliance Regulations 2008  
(Publication Number CEC-400-2006-002-REV1)  
www.energy.ca.gov

### Important:

1. Total output (HP x service factor) of replacement motor must equal or exceed motor being replaced.
2. The pool motors on this page are **NOT equipped with a Safety Vacuum Release System (SVRS)**. SVRS helps prevent drowning due to body entrapment on underwater drains. In some pool configurations, if a person's body covers the drain, the person can be trapped by suction. The SVRS turns off the pump if this occurs.

**⚠ WARNING** Depending on your pool configuration, a SVRS may be required to meet local, state, and federal requirements.





# Century® C-Face Pool and Spa Pump Motors

## Permanent Split Capacitor – Switchless – Single Phase – Dripproof No Base – 3600 3600/1800 RPM 1/2 thru 3 HP

### Features:

- Ball Bearings
- Class B Insulation
- 304 Bearing Shaft End
- 60 Hz
- Rotation: CCW Pump End
- Energy Efficient \$



B638

## E-Plus® Energy Efficient “1081” • Centurion® Motor • Full Rate • Aluminum NEMA “C” Brackets • 50°C Ambient

HP	RPM	Volts	Service Factor Amps	Service Factor	THP	Frame	Stock Number	Overload Protector	Shaft	“C” Dimension	Notes
1/2	3450	208-230/115	4.0-3.7/7.4	1.60	0.80	56J	<b>B657</b> ★	Auto	Threaded	11.95	12,\$
3/4	3450	208-230/115	5.4-5.0/10.0	1.50	1.13	56J	<b>B638</b>	Auto	Threaded	12.69	12,\$
1	3450	208-230/115	6.4-5.9/11.8	1.40	1.40	56C	<b>B653</b>	Auto	Keyed	12.55	\$
		208-230/115	6.4-5.9/11.8	1.40	1.40	56J	<b>B654</b>	Auto	Threaded	13.19	12,\$
1-1/2	3450	208-230/115	8.7-7.8/15.6	1.30	1.95	56C	<b>B795</b>	Auto	Keyed	13.19	\$
		208-230/115	8.7-7.8/15.6	1.30	1.95	56J	<b>B796</b>	Auto	Threaded	13.55	12,\$
2	3450	208-230	10.4-9.6	1.20	2.40	56C	<b>B808</b>	Auto	Keyed	13.65	\$
		208-230	10.4-9.6	1.20	2.40	56J	<b>B809</b>	Auto	Threaded	14.15	12,\$
3	3450	208-230	15.0-13.6	1.15	3.45	56C	<b>B817</b>	Auto	Keyed	13.65	\$
		208-230	15.0-13.6	1.15	3.45	56J	<b>B818</b>	Auto	Threaded	14.15	12,\$

### Notes:

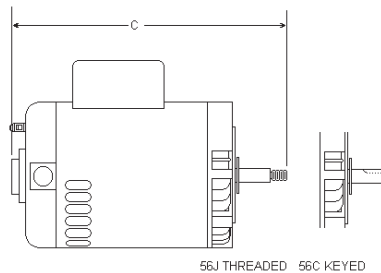
\$ Energy efficient  
12. 303 Stainless steel shaft

★ Meets California Energy Commission Appliance Regulations 2008  
(Publication Number CEC-400-2006-002-REV1)  
[www.energy.ca.gov](http://www.energy.ca.gov)

### Important:

- Total output (HP x service factor) of replacement motor must equal or exceed motor being replaced.
- The pool motors on this page are **NOT equipped with a Safety Vacuum Release System (SVRS)**. SVRS helps prevent drowning due to body entrapment on underwater drains. In some pool configurations, if a person's body covers the drain, the person can be trapped by suction. The SVRS turns off the pump if this occurs.

**⚠ WARNING** Depending on your pool configuration, a SVRS may be required to meet local, state, and federal requirements.



# Century® C-Face Pool and Spa Pump Motors

## Permanent Split Capacitor – Switchless – Single Phase – Dripproof No Base – 3600 3600/1800 RPM 1/2 thru 3 HP

### Features:

- Ball Bearings
- Class B Insulation
- 304 Bearing Shaft End
- 60 Hz
- Rotation: CCW Pump End
- Energy Efficient \$



B971

### Two Speed “1081” • Full Rate • High Service Factor • 40°C Ambient

HP	RPM	Volts	Service Factor Amps	Service Factor	THP	Frame	Stock Number	Overload Protector	Shaft	“C” Dimension	Notes
----	-----	-------	---------------------	----------------	-----	-------	--------------	--------------------	-------	---------------	-------

### High Speed Switchless, Low Speed Microswitch • Aluminum “C” Bracket • Hi-Lo Toggle Switch available (P/N 17590450)

1/2~.06	3450/1725	115	8.8/3.55	1.60	0.8	56C	B970 ★	Auto	Keyed	11.80	\$
1/2~.06	3450/1725	115	8.8/3.55	1.60	0.8	56J	B971 ★	Auto	Threaded	12.30	12,\$
3/4~.10	3450/1725	115	11.2/5.0	1.50	1.13	56C	B972 ★	Auto	Keyed	11.80	\$
3/4~.10	3450/1725	115	11.2/5.0	1.50	1.13	56J	B973 ★	Auto	Threaded	12.30	1,12,\$
3/4~.10	3450/1725	115	12.2/2.2	1.50	1.13	56J	B2973 ★	Auto	Threaded	12.30	12,\$
1~.12	3450/1725	230	6.3/2.3	1.40	1.40	56C	B974 ★	Auto	Keyed	12.05	\$
1~.12	3450/1725	230	6.6/1.5	1.25	1.25	56J	B2975 ★	Auto	Threaded	13.05	12,\$
1-1/2~.20	3450/1725	230	8.9/3.1	1.30	1.95	56C	B976 ★	Auto	Keyed	12.54	\$
1-1/2~.20	3450/1725	230	8.9/3.1	1.30	1.95	56J	B977 ★	Auto	Threaded	13.05	12,\$
1-1/2~.20	3450/1725	115	14.6/4.4	1.10	1.65	56J	B969 ★	Auto	Threaded	13.54	12,63,90,\$
2~.25	3450/1725	230	10.6/3.2	1.20	2.4	56C	B978 ★	Auto	Keyed	13.04	\$
2~.25	3450/1725	230	11.0/1.6	1.20	2.4	56J	B2979 ★	Auto	Threaded	13.55	12,\$
3~.38	3450/1725	230	13.8/4.0	1.15	3.45	56J	B966 ★	Auto	Threaded	14.29	12,\$

### Notes:

\$ Energy efficient

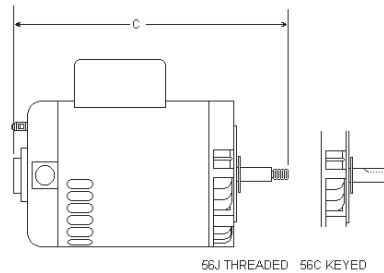
1. Item to be discontinued when stock is depleted
12. 303 Stainless steel shaft
63. Speck Pump replacement motor
90. 50 degree C ambient

★ Meets California Energy Commission Appliance Regulations 2008 (Publication Number CEC-400-2006-002-REV1)  
www.energy.ca.gov

### Important:

1. Total output (HP x service factor) of replacement motor must equal or exceed motor being replaced.
2. The pool motors on this page are **NOT equipped with a Safety Vacuum Release System (SVRS)**. SVRS helps prevent drowning due to body entrapment on underwater drains. In some pool configurations, if a person's body covers the drain, the person can be trapped by suction. The SVRS turns off the pump if this occurs.

**⚠ WARNING** Depending on your pool configuration, a SVRS may be required to meet local, state, and federal requirements.



# Two Compartment Square Flange Pool Filter Motors Single Speed & Energy Efficient

Used on many Sta-Rite, Red Jacket, Pac Fab and American Products.

## Features:

- Auto Protector
- Class B Insulation
- Rotation: CCW Pump End
- Sealed Ball Bearings
- 60 Hz
- Capacitor Start
- Open Dripproof
- 303 Stainless Steel Threaded Shaft
- 50°C Ambient
- UL1081



## HIGH SERVICE FACTOR (FULL RATED)

HP	RPM	Volts	Max. Amps	Service Factor	THP	Frame	Stock Number	Approx. "AG"	Notes
1/3	3450	115/230	9.9/5.0	1.95	0.64	48Y	SQ1032	11-1/8	
1/2	3450	115/230	13.4/6.7	1.9	0.95	48Y	SQ1052	11-1/2	
1/2	3450	115/230	9.6/4.8	1.9	0.95	48Y	QC1052 ★	10-7/8	20,\$
3/4	3450	115/230	15.3/7.6	1.65	1.24	48Y	SQ1072	12-1/8	
3/4	3450	115/230	12.6/6.3	1.65	1.24	48Y	QC1072	11-1/4	20,\$
1	3450	115/230	19.2/9.6	1.65	1.65	48Y	SQ1102	13-1/8	
1	3450	115/208-230	16.0/8.0	1.65	1.65	48Y	QC1102	11-7/8	20,\$
1-1/2	3450	230	10.4	1.47	2.21	48Y	SQ1152	13-1/4	20,\$
2	3450	230	11.2	1.3	2.6	48Y	SQ1202	13-7/8	20,\$
3	3450	230	15.4	1.15	3.45	56Y	SQ1302V1	14	20,\$

## LOW SERVICE FACTOR (UP-RATED)

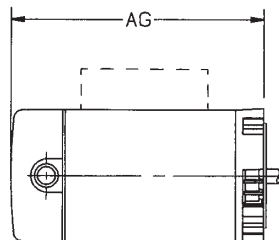
HP	RPM	Volts	Max. Amps	Service Factor	THP	Frame	Stock Number	Approx. "AG"	Notes
1/2	3450	115/230	9.9/5.0	1.3	0.65	48Y	USQ1052	11-1/8	
3/4	3450	115/230	13.4/6.7	1.27	0.95	48Y	USQ1072	11-1/2	
3/4	3450	115/230	9.6/4.8	1.27	0.95	48Y	UQC1072 ★	10-7/8	20,\$
1	3450	115/230	15.3/7.6	1.25	1.25	48Y	USQ1102	12-1/8	
1	3450	115/230	12.6/6.3	1.25	1.25	48Y	UQC1102	11-1/4	20,\$
1-1/2	3450	115/230	19.2/9.6	1.1	1.65	48Y	USQ1152	13-1/8	
1-1/2	3450	115/230	16.0/8.0	1.1	1.65	48Y	UQC1152	13-1/4	20,\$
2	3450	230	10.4	1.1	2.1	48Y	USQ1202	13-1/4	20,\$
2-1/2	3450	230	11.2	1.0	2.5	48Y	USQ1252	13-7/8	20,\$

## Notes:

§ Energy efficient

20. \$ Energy Efficient capacitor start, capacitor run "Conservationist" motor  
See page 247 for mounting dimensions.

★ Meets California Energy Commission Appliance Regulations 2008  
(Publication Number CEC-400-2006-002-REV1)  
www.energy.ca.gov



## Important:

1. Total output (HP x service factor) of replacement motor must equal or exceed motor being replaced.
2. The pool motors on this page are **NOT equipped with a Safety Vacuum Release System (SVRS)**. SVRS helps prevent drowning due to body entrapment on underwater drains. In some pool configurations, if a person's body covers the drain, the person can be trapped by suction. The SVRS turns off the pump if this occurs.

**⚠ WARNING** Depending on your pool configuration, a SVRS may be required to meet local, state, and federal requirements.

# Two Compartment Square Flange Pool Motors • Two Speed

Used on many Sta-Rite, Red Jacket, and Sears Jet and Pool Pumps.

## Features:

- All Copper Windings
- Open Dripproof
- Class B Insulation
- UL1081
- 303 Stainless Steel Threaded Shaft
- Energy Efficient Capacitor Start Low Speed, PSC High Speed
- Auto Protector - Single Phase
- Rotation: CCW Pump End
- 50°C Ambient
- 60 Hz



SQS1152R

Two-speed motors are shipped less hi/lo switch for remote operation.  
End cover and switch assembly kit number 615332 available and sold separately.

## HIGH SERVICE FACTOR (FULL RATED)

HP	RPM	Volts	Amps Hi - Lo	Service Factor	THP	Frame	Stock Number	Approx. "AG"	Notes
3/4~1/8	3450/1725	115	13.0/4.2	1.65	1.24	48Y	SQL1072R ★	12-5/8	\$
3/4~1/8	3450/1725	230	6.1/2.1	1.60	1.20	48Y	SQS1072R ★	12-5/8	\$
1~1/6	3450/1725	230	7.7/2.8	1.65	1.65	48Y	SQS1102R ★	13-13/16	\$
1-1/2~1/4	3450/1725	230	10.0/3.0	1.47	2.21	48Y	SQS1152R ★	13-9/16	\$
2~1/3	3450/1725	230	11.3/3.3	1.3	2.6	48Y	SQS1202R ★	13-13/16	\$

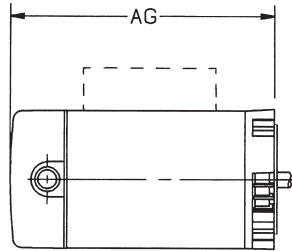
## LOW SERVICE FACTOR (UP-RATED)

HP	RPM	Volts	Amps Hi - Lo	Service Factor	THP	Frame	Stock Number	Approx. "AG"	Notes
1~1/6	3450/1725	230	6.1/2.1	1.25	1.25	48Y	UQS1102R ★	12-5/8	\$
1-1/2~1/4	3450/1725	230	7.7/2.8	1.1	1.65	48Y	UQS1152R ★	13-13/16	\$
2~1/3	3450/1725	230	10.0/3.0	1.1	2.2	48Y	UQS1202R ★	13-9/16	\$

## Notes:

§ Energy efficient  
See page 247 for mounting dimensions.

★ Meets California Energy Commission Appliance Regulations 2008  
(Publication Number CEC-400-2006-002-REV1)  
[www.energy.ca.gov](http://www.energy.ca.gov)



## Important:

1. Total output (HP x service factor) of replacement motor must equal or exceed motor being replaced.
2. The pool motors on this page are **NOT equipped with a Safety Vacuum Release System (SVRS)**. SVRS helps prevent drowning due to body entrapment on underwater drains. In some pool configurations, if a person's body covers the drain, the person can be trapped by suction. The SVRS turns off the pump if this occurs.

**⚠ WARNING** Depending on your pool configuration, a SVRS may be required to meet local, state, and federal requirements.

# Century® Pool and Spa Pump Motors Square Flange

## Permanent Split Capacitor – Switchless – Single Phase – Dripproof No Base – 3600 and 3600/1800 RPM 1/2 thru 3 HP

### Features:

- Ball Bearings
- 50°C Ambient
- Rotation: CCW Pump End
- \$ Energy Efficient
- 60 Hz
- Class B Insulation
- Stainless Steel Shafts



B2661



B845

HP	RPM	Volts	Service Factor Amps	Service Factor	THP	Frame	Stock Number	Shaft	Overload Protector	"C" Dim.	Notes
<b>Centurion® "1081" • Full Rate • High Service Factor</b>											
1/2	3450	230/115	5.4/10.8	1.95	0.98	56Y	<b>B2846</b> ★	Threaded	Auto	12.4	
3/4	3450	230/115	7.1/14.2	1.65	1.24	56Y	<b>B2847</b>	Threaded	Auto	12.4	
1	3450	230/115	8.0/16.0	1.65	1.65	56Y	<b>B2848</b>	Threaded	Auto	12.8	
1-1/2	3450	230/115	10.5/21.0	1.50	2.25	56Y	<b>B2858</b>	Threaded	Auto	14.4	
1-1/2	3450	230	10.0	1.50	2.25	56Y	<b>B849</b>	Threaded	Auto	13.4	
2	3450	230	11.5	1.30	2.6	56Y	<b>B2748</b>	Threaded	Auto	13.4	
<b>Centurion® "1081" • Up-Rate • Low Service Factor</b>											
3/4	3450	230/115	5.4/10.8	1.25	0.94	56Y	<b>B2852</b> ★	Threaded	Auto	12.4	
1	3450	230/115	7.1/14.2	1.25	1.25	56Y	<b>B2853</b>	Threaded	Auto	12.4	
1-1/2	3450	230/115	8.0/16.0	1.10	1.65	56Y	<b>B2854</b>	Threaded	Auto	12.8	
2	3450	230/115	11.2/22.4	1.10	2.2	56Y	<b>B2859</b>	Threaded	Auto	14.4	
2	3450	230	10.0	1.10	2.2	56Y	<b>B855</b>	Threaded	Auto	13.4	
2-1/2	3450	230	11.5	1.04	2.6	56Y	<b>B2840</b>	Threaded	Auto	13.4	
<b>E-Plus® Energy Efficient "1081" • New Centurion • Full Rate</b>											
1/2	3450	208-230/115	4.5-4.4/8.8	1.90	0.95	56Y	<b>B845</b> ★	Threaded	Auto	12.4	\$
3/4	3450	115/208-230	6.0-5.6/11.2	1.67	1.25	56Y	<b>B2661</b>	Threaded	Auto	13.1	
1	3450	115/208-230	7.8-7.4/14.8	1.65	1.65	56Y	<b>B2841</b>	Threaded	Auto	13.4	1
1	3450	115/208-230	7.8-7.4/14.8	1.65	1.65	56Y	<b>B2841V1</b>	Threaded	Auto	13.4	
1-1/2	3450	208-230	9.6-8.8	1.47	2.21	56Y	<b>B2842</b>	Threaded	Auto	13.9	
2	3450	208-230	11.0-10.2	1.30	2.6	56Y	<b>B2843</b>	Threaded	Auto	14.4	
3	3450	208-230	15.0-13.6	1.15	3.45	56Y	<b>B2844</b>	Threaded	Auto	14.4	

### Notes:

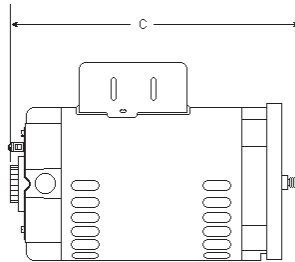
1. Item to be discontinued when stock is depleted

\$ Energy efficient

★ Meets California Energy Commission Appliance Regulations 2008

(Publication Number CEC-400-2006-002-REV1)

www.energy.ca.gov



### Important:

1. Total output (HP x service factor) of replacement motor must equal or exceed motor being replaced.
2. The pool motors on this page are **NOT equipped with a Safety Vacuum Release System (SVRS)**. SVRS helps prevent drowning due to body entrapment on underwater drains. In some pool configurations, if a person's body covers the drain, the person can be trapped by suction. The SVRS turns off the pump if this occurs.

**⚠ WARNING** Depending on your pool configuration, a SVRS may be required to meet local, state, and federal requirements.

# Century® Pool and Spa Pump Motors Square Flange

## New from Century® - High Efficiency two-speed motors.

New Centurion High Efficiency two-speed motors have PSC (Permanent Split Capacitor) high speeds and capacitor start/capacitor run low speeds.

## New Centurion High Efficiency Two-Speed Pool and Spa Motors

### Features:

- Ball Bearing
- Class B Insulation
- 50°C Ambient
- \$ High Efficient High and Low Speed
- Open Dripproof
- Permanent Split Capacitor
- Rotation: CCW Pump End
- Single Phase
- 303 Stainless Steel Shafts



B2980

### TWO-SPEED - "1081" - PSC ENERGY EFFICIENT HIGH SPEED - CAP. START/CAP. RUN LOW SPEED - SQUARE FLANGE - FULL RATE

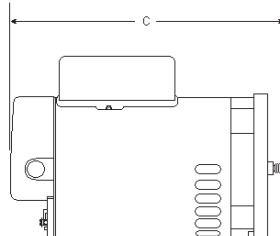
HP	RPM	Volts	Service Factor	Amps	Service Factor	THP	Frame	Stock Number	Shaft	Overload Protector	Length Includ. Shaft	Notes
3/4~.10	3450/1725	230	6.0/1.0	1.67	1.25	56Y	B2980 ★	Threaded	Auto	13.1	\$	
3/4~.10	3450/1725	115	12.4/2.2	1.67	1.25	56Y	B2981 ★	Threaded	Auto	13.1	\$	
1~.13	3450/1725	230	7.4/1.4	1.65	1.65	56Y	B2982 ★	Threaded	Auto	13.4	\$	
1-1/2~.19	3450/1725	230	10.0/1.6	1.47	2.21	56Y	B2983 ★	Threaded	Auto	13.9	\$	
2~.25	3450/1725	230	11.0/1.8	1.30	2.60	56Y	B2984 ★	Threaded	Auto	14.4	\$	
2~.33	3450/1725	230	10.0/3.5	1.10	2.20	56Y	B985 ★	Threaded	Auto	14.4	107,\$	
3.0~.38	3450/1725	230	15.0/2.6	1.15	3.45	56Y	B2987 ★	Threaded	Auto	14.38	\$	

### Notes:

\$ Energy efficient

107. Uprated - low service factor

★ Meets California Energy Commission Appliance Regulations 2008 (Publication Number CEC-400-2006-002-REV1) [www.energy.ca.gov](http://www.energy.ca.gov)



### Important:

1. Total output (HP x service factor) of replacement motor must equal or exceed motor being replaced.
2. The pool motors on this page are **NOT equipped with a Safety Vacuum Release System (SVRS)**. SVRS helps prevent drowning due to body entrapment on underwater drains. In some pool configurations, if a person's body covers the drain, the person can be trapped by suction. The SVRS turns off the pump if this occurs.

**⚠ WARNING** Depending on your pool configuration, a SVRS may be required to meet local, state, and federal requirements.

# Above Ground Swimming Pool & Spa Pump Motors

## Jetted Tub/Spa/Above Ground Swimming Pool Pump Motors – Split Phase, Capacitor Start & PSC Single-phase – Drip-proof – Ball Bearing – Rigid Base & No Base – 3450 and 3450/1725 RPM – 1/2 thru 4 HP SP

### Features:

- 12 & 3 O'clock Conduit Entries
- 40°C Ambient
- Class B Insulation
- Rotation: CCW Pump End
- Through Bolt Mount
- 48/56 Base Mounting
- 3-1/2" Shaft Height
- Four Thru Bolts on a 5.146 Bolt Circle



BN35SS

**Applications:** Spa, above ground swimming pool and jetted tub pumps.

Optional Flex-48 Accessories: Airswitch (#17800901), Single-speed Toggle Switch Assy. - On/Off (#18374501), Day/Night Controller (#18602400), Two-speed Toggle Switch Assy. - Lo/Off/Hi (#18313301)

### Century Flex-48 W/Stainless Steel Shaft & Ball Bearings • “1081” • “1795” • “1563” • Rigid Base

HP	RPM	Volts	Hz	Full Load Amps	Service Factor	THP	Frame	Stock Number	Shaft	Overload Protector	“C” Dim.	Notes
1/2	3450	115	60	7.2	1.0	0.5	48Y	BN23V1	Threaded	Auto	11.08	
3/4	3450	115	60	9.8	1.0	0.75	48Y	BN24V1	Threaded	Auto	11.08	90
1	3450	115	60	12.0	1.0	1.0	48Y	BN25V1	Threaded	Auto	11.58	
1-1/2	3450	230/115	60	8.0/16.0	1.0	1.5	48Y	BN35SS	Threaded	Auto	12.08	1,45
1-1/2	3450	230/115	60	8.0/16.0	1.0	1.5	48Y	BN35V1	Threaded	Auto	12.08	45
1-1/2	3450	115	60	17.0	1.0	1.5	48Y	BV35V1	Threaded	Auto	12.08	
2	3450	230/115	60	10.0/20.0	1.0	2.0	48Y	BN40SS	Threaded	Auto	13.33	45

### Century Flex 48 LASAR® Line (Low Amp Start and Run) • Two-speed • “1081” • “1563” • Rigid Base

3/4~.10	3450/1725	115	60	8.8/2.6	1.0	0.75	48Y	BN36	Threaded	Auto	12.08	
1~.12	3450/1725	115	60	11.0/2.9	1.0	1.0	48Y	BN37V1	Threaded	Auto	12.08	45
1-1/2~.25	3450/1725	115	60	16.4/4.4	1.0	1.5	48Y	BN50V1	Threaded	Auto	12.83	45
1-1/2~.18	3450/1725	230	60	6.5/2.5	1.0	1.5	48Y	BN34V1	Threaded	Auto	12.83	45
2~.25	3450/1725	230	60	10.5/2.6	1.0	2.0	48Y	BN51	Threaded	Auto	13.33	45

### Century Flex 48 LASAR-XL • Extra Low Running Amps • Two-speed • Rigid Base

2~.25	3450/1725	230	60	8.5/2.8	1.0	2.0	48Y	BN61 ★	Threaded	Auto	13.33	68,145,\$
3~.38	3450/1725	230	60	12.0/3.5	1.0	3.0	48Y	BN62 ★	Threaded	Auto	14.33	68,90,145,\$
4.0~.42 SPL	3450/1725	208-230	60	12.0/3.5	1.0	4.0	48Y	BN63 ★	Threaded	Auto	14.33	68,90,145,\$

### Notes:

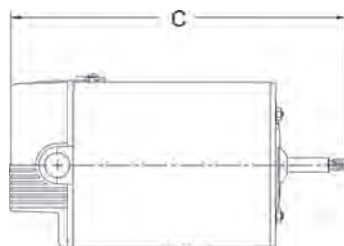
- Energy efficient
- 1. Item to be discontinued when stock is depleted
- 45. Capacitor start
- 68. PSC Motor
- 90. 50°C Ambient
- 145. Run capacitor mounted on motor shell

★ Meets California Energy Commission Appliance Regulations 2008 (Publication Number CEC-400-2006-002-REV1) [www.energy.ca.gov](http://www.energy.ca.gov)

### Important:

The pool motors on this page are **NOT** equipped with a **Safety Vacuum Release System (SVRS)**. SVRS helps prevent drowning due to body entrapment on underwater drains. In some pool configurations, if a person's body covers the drain, the person can be trapped by suction. The SVRS turns off the pump if this occurs.

**⚠ WARNING** Depending on your pool configuration, a SVRS may be required to meet local, state, and federal requirements.



# Century® 56-Frame Two-Speed Replacement Spa Motors

## Dripproof - 60 HZ - Single Phase - Rigid Base - 6-1/2" Diameter - 3-1/2" Shaft Height

### Features:

- PSC on High Speed
- E-Plus New Centurion Design
- Cap Start/Cap Run on Low Speed
- 50°C Ambient
- 3/8-16 UNC-2A Threads Includes Slinger
- Four Thru Bolts on a 5.812 Bolt Circle



B236

Status	HP-SPL*	RPM	Volts	Amps (A)**	Frame	Stock Number	Insul. Class	"C" Dim.	Replaces Waterway #	Replaces OEM #	Replaces Stock #	Notes
<b>NEW!</b>	1.0 ~ .13 SPL	3450/1725	230	6.0/1.2 (A)	56Y	B2232★	F	11.99	3720621	187692	B232	108
<b>NEW!</b>	2.0 ~ .25 SPL	3450/1725	230	7.4/1.4 (A)	56Y	B2233★	F	12.24	3721021	187693	B233	108
	2.5 ~ .31 SPL	3450/1725	230	11.6/3.0 (A)	56Y	B2242★	F	13.24	-	-	-	108
<b>NEW!</b>	3.0 ~ .38 SPL	3450/1725	230	10.0/1.8 (A)	56Y	B2234★	F	12.74	3721421	187694	B234	108
<b>NEW!</b>	4.0 ~ .50 SPL	3450/1725	230	12.0/3.0	56Y	B2235★	F	13.49	3721621	187563	B235	108
	5.0 ~ .63 SPL	3450/1725	230	16.4/4.8	56Y	B236★	F	13.37	3722021	187098	-	108
	4.0 SPL	3450	230	12.0	56Y	B237	B	12.62	3711821	187624	-	-
	5.0 SPL	3450	230	16.4	56Y	B238	B	13.37	3712021	187970	-	-

### Notes:

\*HP-SPL means Horsepower - Special The reference chart provided below lists the horsepower and horsepower Amps at 1.0 service factor in relation to the HP-SPL ratings.

\*\* (A) Max Load Amp Rating - As a guideline, at 230V ± 10% voltage, do not load motor above this Amp rating. Amp draw differences between the premium efficiency E-Plus New Centurion design (e.g. B2233) and the slightly less efficient discontinued Centurion design (e.g. B233) is attributable in part to the addition of a run capacitor on low speed. Use of Amp data to determine the correct replacement is not recommended. Instead, refer to the chart for the correct stock number to replace either an original Waterway pump motor or the now discontinued Centurion stock motor.

108. Two speed motor

★ Meets California Energy Commission Appliance Regulations 2008 Publication Number CEC-400-2006-002-REV1 [www.energy.ca.gov](http://www.energy.ca.gov)

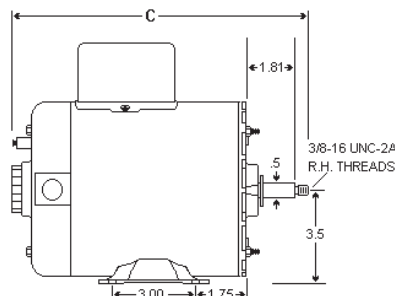
STOCK No.	B2232	B2233	B2234	B2235	B236	B237	B238
<b>HP-SPL</b>	1.0 ~ .13 <sub>SPL</sub>	2.0 ~ .25 <sub>SPL</sub>	3.0 ~ .38 <sub>SPL</sub>	4.0 ~ .50 <sub>SPL</sub>	5.0 ~ .63 <sub>SPL</sub>	4.0 <sub>SPL</sub>	5.0 <sub>SPL</sub>
<b>HP (at 1.0 S.F.)</b>	1.0 / .12	1.5 / .19	2.0 / .25	3.0 / .38	4.0 / .50	3.0	4.0
<b>HP Amps (at 1.0 S.F.)</b>	4.8 / .8	6.4 / 1.2	8.8 / 1.6	12.0 / 3.0	16.4 / 4.8	12.0	16.4

### Discontinued Centurion Stock Number Reference

Disc. Stock Number	HP-SPL*	RPM	Volts	Amps (A)**	Replaces Waterway#
B232	1.0 ~ .18 SPL	3450/1725	230	6.4/2.6 (A)	3720621
B233	2.0 ~ .25 SPL	3450/1725	230	8.0/3.0 (A)	3721021
B234	3.0 ~ .30 SPL	3450/1725	230	10.0/3.5 (A)	3721421
B235	4.0 ~ .50 SPL	3450/1725	230	12.0/4.4	3721621

### Important:

1. Total output (HP x service factor) of replacement motor must equal or exceed motor being replaced.
2. The pool motors on this page are **NOT equipped with a Safety Vacuum Release System (SVRS)**. SVRS helps prevent drowning due to body entrapment on underwater drains. In some pool configurations, if a person's body covers the drain, the person can be trapped by suction. The SVRS turns off the pump if this occurs.  
**⚠ WARNING** Depending on your pool configuration, a SVRS may be required to meet local, state, and federal requirements.





# Sta-Rite Direct Replacement Spa Motors

## Features:

- Open Construction
- Threaded Shaft
- 1.0 Service Factor
- Rotation: CCW Pump End
- Rigid Base
- Through Bolt Mount
- \$ Energy Efficient
- 2-Speed (Capacitor Start Low Speed, PSC High Speed)
- Sealed Ball Bearings
- 50°C Ambient
- Auto Protector



Four Thru Bolts on a 5.146 Bolt Circle Replacement Motor for Dimension One, Hydroquip, GPM Industries, Hawkeye, Marquis and Master Spas

HP	RPM	Volts	Amps	Service Factor	THP	Frame	Stock Number	Insulation Class	Approx. "AG"	Dim. "BX"	Notes
1.0-.12	3450/1725	115	10.4/3.6	1.0	1.0	56Z	SDS1102 ★	B	10.30	8.85	\$
1.5-.19	3450/1725	230	7.2/2.4	1.0	1.5	56Z	SDS1152 ★	F	10.79	9.34	\$
2.0-.25	3450/1725	230	8.5/3.0	1.0	2.0	56Z	SDS1202 ★	F	11.42	9.98	\$
2.5-.25	3450/1725	230	10.7/3.0	1.0	2.5	56Z	SDS1252 ★	F	10.67	9.23	\$
3.0-.38	3450/1725	230	12.0/3.7	1.0	3.0	56Z	SDS1302 ★	F	10.92	9.48	\$

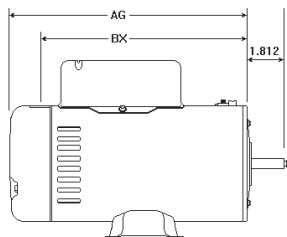
## Note:

### \$ Energy efficient

When crossing to an original equipment Century Motor, use the Quick Cross Reference table. Find the amps and model number of the OEM motor on the motor nameplate. Find the equivalent amps and model number on the Quick Cross Reference table below. The replacement is the stock number listed in the "Use" column. The horsepower and service factor may not be the same, but the motors are the same.

QUICK CROSS REFERENCE BY AMPS AND MOTOR MODEL NUMBER		
Name Plate Amps	Name Plate Model No.	Use Stock No.
10.4/3.6	K48L2A1	SDS1102
7.2/2.4	K48M2A4	SDS1152
8.5/3.0	K48N2A5	SDS1202
10.7/3.0	K48N2A4C2	SDS1252
12.0/3.7	K48P2A1	SDS1302

★ Meets California Energy Commission Appliance Regulations 2008  
(Publication Number CEC-400-2006-002-REV1)  
[www.energy.ca.gov](http://www.energy.ca.gov)



## Important:

The pool motors on this page are **NOT equipped with a Safety Vacuum Release System (SVRS)**. SVRS helps prevent drowning due to body entrapment on underwater drains. In some pool configurations, if a person's body covers the drain, the person can be trapped by suction. The SVRS turns off the pump if this occurs.

**⚠ WARNING** Depending on your pool configuration, a SVRS may be required to meet local, state, and federal requirements.

## Above Ground Swimming Pool & Spa Pump Motors

### Jetted Tub/Spa/Above Ground Swimming Pool Pump Motors – Split Phase, Capacitor Start & PSC Single-phase – Drip-proof – Ball Bearing – Rigid Base & No Base – 3450 and 3450/1725 RPM – 1/2 thru 4 HP SP



#### Hoffinger Replacement (Doughboy/Lomart) • No Base

HP	RPM	Volts	Hz	Full Load Amps	Service Factor	THP	Frame	Stock Number	Shaft	Overload Protector	“C” Dim.	Notes
1	3450	115	60	10.0	1.0	1.0	48Y	BV90	Threaded	Auto	10.45	
1	3450	115	60	9.0	1.0	1.0	48Y	BV91	Threaded	Auto	10.22	285

**Notes:**

285. 3/8-16, Left hand threads, CWPE rotation

★ Meets California Energy Commission Appliance Regulations 2008 (Publication Number CEC-400-2006-002-REV1) [www.energy.ca.gov](http://www.energy.ca.gov)

## Century® Pool Cleaner Replacement Pump Motors

### Permanent Split Capacitor – Switchless – Single Phase – Drip-proof No Base & Rigid Base – 3600 RPM

**Features:**

- Ball Bearings
- CW Non-Reversible
- Aluminum Adapter Bracket
- 40°C Ambient
- 303 Stainless Steel Shaft
- 60 Hz
- Class B Insulation
- “1081” Features



B662 & B663

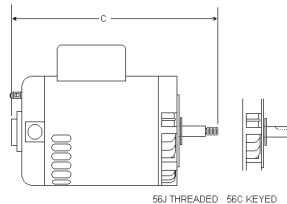
**Applications:** Replacement motor for Arneson “Pool Sweep,” Polaris “Vac-Sweep” and Letro “Jet Vac” brand pool cleaners.

HP	RPM	Volts	Service Factor	Service Amps	THP	Frame	Stock Number	Shaft	Base	Mount	Overload Protector	“C” Dim.	Brand	Notes
3/4	3450	230/115	6.4/12.8	1.50	1.13	56CZ	B625	Threaded	None	Horizontal	Auto	14.03	Polaris	222
3/4	3450	230/115	6.0/12.0	1.50	1.13	56Y	B662	Threaded	Rigid	Horizontal	Auto	11.74	Arneson	12
3/4	3450	230/115	6.0/12.0	1.50	1.13	56Y	B663	Threaded	None	Vertical	Auto	10.89	Arneson	12
3/4	3450	230/115	6.0/12.0	1.50	1.13	56Y	B667	Threaded	Rigid	Horizontal	Auto	12.97	Letro	12,247
3/4	3450	230/115	6.5/13.0	1.50	1.13	56CZ	B668	Threaded	None	Horizontal	Auto	13.87	Letro	246

**Notes:**

- 12. 303 Stainless steel shaft
- 222. Does not have Aluminum Adapter Bracket
- 246. B668 fits pump #LA01N manufactured March 1997 to present
- 247. B667 fits pump #LA01 manufactured March 1997 and prior

Pool Cleaner (Booster Pump) motors are not included in the California Energy Commission Appliance Regulations 2006 (Publication Number CEC 400-2006-002 REV 1)



**Important:**

1. Total output (HP x service factor) of replacement motor must equal or exceed motor being replaced.
2. The pool motors on this page are **NOT equipped with a Safety Vacuum Release System (SVRS)**. SVRS helps prevent drowning due to body entrapment on underwater drains. In some pool configurations, if a person's body covers the drain, the person can be trapped by suction. The SVRS turns off the pump if this occurs.

**⚠ WARNING** Depending on your pool configuration, a SVRS may be required to meet local, state, and federal requirements.

# Century® Purex Replacement Pump Motors

## Horizontal - Dripproof - No Base - 3450 and 3450/2850 RPM - 5 thru 20 HP



**Features:** Ball Bearings • 40°C Ambient • Service Factor 1.15 • Reversible • External Slinger  
**Applications:** Hydrotech (Purex) East Side “L” Series and “C” Series commercial pump.

HP	RPM	Volts	Service Factor	THP	Hertz	Full Load Amps	Frame	Insul Class	Stock Number	Overload	“C” Dim.	Efficiency	Notes
<b>Single Phase • Capacitor Start</b>													
5	3450	230	1.15	5.75	60	25.6	184TY	B	V214	None	15.7	77.0	153
5	3450	230	1.15	5.75	60	25.6	184TY	B	V220	None	15.8	77.0	152
<b>Three Phase</b>													
5	3450	208-220/440	1.15	5.75	60	14.0-13.5/6.75	182TY	F	R237	None	16.2	81.0	6,153
5	3450	208-220/440	1.15	5.75	60	14.0-13.5/6.75	182TY	F	R236	None	15.0	81.0	6,152
7-1/2	3450	208-220/440	1.15	8.63	60	21.6-19.4/9.7	184TY	F	R232	None	14.7	82.0	6,153
7-1/2	3480	220	1.15	8.63	60	21.4	184TY	F	R257	None	14.7	82.0	153
10	3450	208-220/440	1.15	11.5	60	28.0-26.0/13.0	213TY	B	R338	None	19.4	87.5	6,153
15	3450	208-220/440	1.15	17.25	60	40.0-38.0/19.0	215TY	F	R339	None	21.4	88.6	6,153

**Notes:**

- 6. 60/50 HZ
- 152. Pump Series: L (threaded)
- 153. Pump Series: C (keyed)

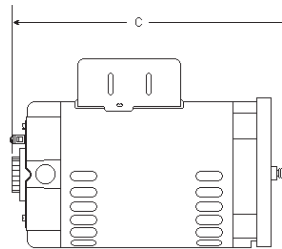
## Century® Pentair/Pac Fab Replacement Pump Motors

### Square Flange - Horizontal - Dripproof - No Base - 60 Hz



**Features:** Ball Bearings • 40°C Ambient • Class B Insulation

HP	RPM	Volts	Hertz	Full Load Amps	Service Factor	THP	Frame	Stock Number	Pac Fab Number	“C” Dim.	Notes
<b>Single Phase PSC “1081”</b>											
5	3450	208-230	60	21.0-19.4	1.0	5	56Y	B1000	35-5705	14.9	
<b>Three Phase “1081”</b>											
3	3450	208-230/460			1.15	3.45	56Y	H755		13.9	
5	3450	208-230/460	60	13.4-13.4/6.7	1.0	5	56Y	H995	35-5704	14.9	



**Important:**

1. Total output (HP x service factor) of replacement motor must equal or exceed motor being replaced.
2. The pool motors on this page are **NOT equipped with a Safety Vacuum Release System (SVRS)**. SVRS helps prevent drowning due to body entrapment on underwater drains. In some pool configurations, if a person's body covers the drain, the person can be trapped by suction. The SVRS turns off the pump if this occurs.

**⚠ WARNING** Depending on your pool configuration, a SVRS may be required to meet local, state, and federal requirements.

# Special Direct Replacement Pump Motors

Important: Total horsepower (HP x service factor) of replacement motor must equal or exceed motor being replaced

## Features:

- Auto Protector
- CCWPE Rotation
- Ball Bearings
- 60 Hz
- Capacitor Start
- Internally Mounted Capacitor
- Continuous Duty
- 40°C Ambient
- High Service Factors
- Sealed Switch Design
- 303 Stainless Steel Thrd. Shafts



## VERTICAL MOUNT - ROUND FLANGE - SINGLE PHASE

HP	RPM	Volts	Max Amps	Service Factor	Frame	Stock Number	Bearings	Enclosure	Shaft	Insul. Class	"AG" Dim	Sta-Rite Reference
1/2	3450	115/230	12.4/6.2	1.90	48Y	<b>R1052</b>	Ball	ODP	Spl Thd	B	9.50	A200CH
3/4	3450	115/230	14.8/7.4	1.65	48Y	<b>R1072</b>	Ball	ODP	Spl Thd	B	10.13	A200DH
1	3450	115/230	19.2/9.6	1.65	48Y	<b>R1102</b>	Ball	ODP	Spl Thd	B	11.19	A200EH



## ROUND FLANGE - EXTENDED SHAFT - SINGLE PHASE

HP	RPM	Volts	Max Amps	Service Factor	Frame	Stock Number	Enclosure	Shaft	Insul. Class	"AG" Dim	Sta-Rite Reference	Notes
3/4	3450	115/230	14.8/7.4	1.65	48Y	<b>R1072ES</b>	ODP	Spl Thd	B	10.13	A300DH	
1	3450	115/230	19.2/9.6	1.65	48Y	<b>R1102ES</b>	ODP	Spl Thd	B	11.19	A300EH	
1 1/2	3450	230	12.0	1.47	48Y	<b>R1152ES</b>	ODP	Spl Thd	B	11.94	A300FH	
2	3450	230	11.5	1.30	48Y	<b>R1202ES</b>	ODP	Spl Thd	B	11.94	AE300GH	20,\$



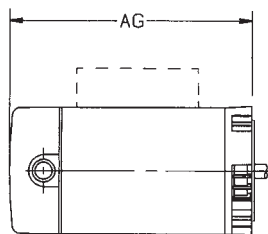
## SQUARE FLANGE - EXTENDED SHAFT - SINGLE PHASE

HP	RPM	Volts	Max Amps	Service Factor	Frame	Stock Number	Bearings	Enclosure	Shaft	Insul. Class	"AG" Dim.	Sta-Rite Reference
3/4	3450	115/230	14.8/7.4	1.65	48Y	<b>Q1072ES</b>	Ball	ODP	Spl Thd	B	13.13	A700DH
1	3450	115/230	19.2/9.6	1.65	48Y	<b>Q1102ES</b>	Ball	ODP	Spl Thd	B	13.5	A700EH
1 1/2	3450	115/230	24.0/12.0	1.47	48Y	<b>Q1152ES</b>	Ball	ODP	Spl Thd	B	12.13	A700FH

### Note:

\$ Energy Efficient \$

20. \$ Energy Efficient capacitor start, capacitor run "Conservationist™" motor



# Century® Hayward Northstar Replacement Pump Motors

## NEMA C-Face - Dripproof - No Base - 60 Hz - Energy Efficient



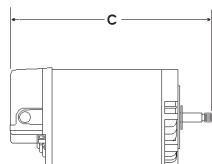
### Features:

- Ball Bearings
- 50°C Ambient
- 303 Stainless Steel Shaft
- Class B Insulation
- 60 Hz
- Low Noise
- Switchless
- E-Coated Main Frame for Superior Corrosion Resistance
- Cool Running for Longer Winding Life

HP	RPM	Volts	Full Load Amps	Service Factor	THP	Frame	Stock Number	Industry Number	"C" Dim.	Notes
<b>Full Rated</b>										
3/4	3450	208-230/115	6.0-5.5/11.0	1.85	1.39	56J	SN1072	SP1607Z1BNSC	13.10	\$
1	3450	208-230/115	8.5-7.8/15.6	1.85	1.85	56J	SN1102	SP1610Z1BNSC	13.35	\$
1-1/2	3450	208-230/115	11.0-10.2/20.4	1.60	2.4	56J	SN1152	SP1615Z1BNSC	13.85	\$
2	3450	208-230	13.0-11.8	1.35	2.7	56J	SN1202	SP1620Z1BNSC	14.60	\$
3	3450	208-230	20.6-19.0	1.60	4.8	56J	SN1302	SP1630Z1BNSC	16.10	\$
<b>Up rated</b>										
1	3450	208-230/115	6.0-5.5/11.0	1.40	1.40	56J	USN1102	Sp1607Z1MNSC	13.10	\$
1-1/2	3450	208-230/115	8.5-7.8/15.6	1.25	1.88	56J	USN1152	SP1610Z1MNSC	13.35	\$
2	3450	208-230/115	11.0-10.2/20.4	1.20	2.4	56J	USN1202	SP1615Z1MNSC	13.85	\$
2-1/2	3450	208-230	13.0-11.8	1.10	2.75	56J	USN1252	SP1620Z1MNSC	14.60	\$
3	3450	208-230	16.0-14.8	1.20	3.6	56J	USN1302	SP1625Z1MNSC	14.85	\$

### Note:

\$ Energy Efficient \$



### Important:

1. Total output (HP x service factor) of replacement motor must equal or exceed motor being replaced.
2. The pool motors on this page are **NOT equipped with a Safety Vacuum Release System (SVRS)**. SVRS helps prevent drowning due to body entrapment on underwater drains. In some pool configurations, if a person's body covers the drain, the person can be trapped by suction. The SVRS turns off the pump if this occurs.

### ⚠ WARNING

Depending on your pool configuration, a SVRS may be required to meet local, state, and federal requirements.

## Century® Hayward TriStar Replacement Pump Motors

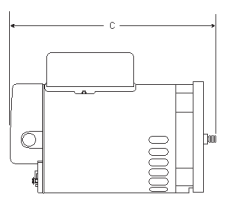
### Features:

- 303 Stainless Steel Shaft
- 60°C Ambient
- Automatic Protector
- Ball Bearing
- Capacitor Start/Capacitor Run
- Class F Insulation
- Energy Efficient
- Open Drip Proof
- Single Phase



### Single Speed - "1081" Capacitor Start/Capacitor Run - High Efficiency - Square Flange - Full Rate

HP	RPM	Volts	Amps	Service Factor	THP	Frame	Stock Number	Shaft	Overload Protector	"C" Dim	Industry Number
1/2	3450	115/208-230	8.6/5.0-4.30	1.99	1.0	56Y	HSQ1052	Threaded	Auto	12.8	SP3205Z1BE
3/4	3450	115/208-230	11.6/7.0-5.8	1.85	1.39	56Y	HSQ1072	Threaded	Auto	13.1	SP3207Z1BE
1	3450	115/208-230	15.0/8.8-7.5	1.85	1.85	56Y	HSQ1102	Threaded	Auto	13.4	SP3210Z1BE
1-1/2	3450	115/208-230	20.0/12.0-10.0	1.60	2.4	56Y	HSQ1152	Threaded	Auto	13.8	SP3215Z1BE
2	3450	208-230	12.0-11.0	1.35	2.7	56Y	HSQ1202	Threaded	Auto	4.1	SP3220Z1BE
3	3450	208-230	15.4	1.20	3.6	56Y	HSQ1302	Threaded	Auto	15.12	SP3230Z1BE
5	3450	208-230	22.0	1.0	5.0	56Y	HSQ1502	Threaded	Auto	15.12	SP3240Z1ME



### Important:

1. Total output (HP x service factor) of replacement motor must equal or exceed motor being replaced.
2. The pool motors on this page are **NOT equipped with a Safety Vacuum Release System (SVRS)**. SVRS helps prevent drowning due to body entrapment on underwater drains. In some pool configurations, if a person's body covers the drain, the person can be trapped by suction. The SVRS turns off the pump if this occurs.

### ⚠ WARNING

Depending on your pool configuration, a SVRS may be required to meet local, state, and federal requirements.

# NEMA C-Face 3-Phase Pump Motors

## Features:

- Ball Bearings
- Continuous Duty
- Open Dripproof
- NEMA "56C" Mount
- 40°C Ambient
- 60 Hz
- Internal Junction Box
- Keyed and Stainless Steel Threaded Shafts



NEMA C Face mounting bracket, and end frames are die-cast corrosion resistant aluminum, accurately machined for maximum concentricity, and minimum runout. Stator assemblies are press fitted into rolled steel main frames. Double shielded ball bearings, selected for quiet operation, are lubricated for life with greases specifically chosen for moisture and heat resistant qualities.

1/2" x 14 thread tapped opening is provided for conduit fitting. No external junction box required connections made under motor canopy. Motors are supplied with horizontal canopy but are easily converted for vertical operation with the use of optional vertical canopy (#621335-002).

HP	RPM	Volts	Max. Amps	Service Factor	THP	Frame	Stock Number	Shaft	Protector	Approx. "AG"	Notes
1/2	3450	208-230/460	2.7/1.35	1.6	0.8	56J	T3052	Thrd	None	8-5/8	
3/4	3450	208-230/460	3.4/1.7	1.5	1.125	56C	K3072	Key	None	9-1/8	
3/4	3450	208-230/460	3.4/1.7	1.5	1.125	56J	T3072	Thrd	None	9-1/8	
1	3450	208-230/460	4.0/2.0	1.4	1.4	56C	K3102	Key	None	9-11/16	
1	3450	208-230/460	4.0/2.0	1.4	1.4	56J	T3102	Thrd	None	9-11/16	
1-1/2	3450	208-230/460	6.8/3.4	1.3	1.95	56C	K3152	Key	None	11-5/16	
1-1/2	3450	208-230/460	6.8/3.4	1.3	1.95	56J	T3152	Thrd	None	11-5/16	
2	3450	208-230/460	8.6/4.3	1.2	2.4	56C	K3202	Key	None	11-5/16	
2	3450	208-230/460	8.6/4.3	1.2	2.4	56J	T3202	Thrd	None	11-5/16	

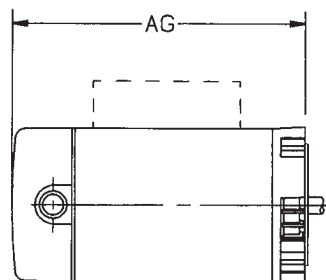


## THREE PHASE SQUARE FLANGE PUMP MOTORS

### Features:

- All Copper Windings
- Open Dripproof
- 303 Stainless Steel Threaded Shaft
- Sealed Ball Bearings
- 50°C Ambient
- 60 Hz

HP	RPM	Amps Volts	Service Hi - Lo	Factor	THP	Frame	Stock Number	Overload Protector	Approx. "AG"
1/2	3450	208-230/460	3.0/1.5	1.9	.95	48Y	Q3052	None	9-7/8
3/4	3450	208-230/460	3.6/1.8	1.65	1.24	48Y	Q3072	None	10-3/8
1	3450	208-230/460	4.7/2.35	1.65	1.65	48Y	Q3102	None	10-7/8
1-1/2	3450	208-230/460	6.8/3.4	1.47	2.21	48Y	Q3152	None	11-7/8
2	3450	208-230/460	8.5/4.25	1.3	2.6	48Y	Q3202	None	12-5/8
3	3450	200-230/460	9.7/4.9	1.15	3.45	56Y	Q3302V1	None	12



### Important:

1. Total output (HP x service factor) of replacement motor must equal or exceed motor being replaced.
2. The pool motors on this page are **NOT equipped with a Safety Vacuum Release System (SVRS)**. SVRS helps prevent drowning due to body entrapment on underwater drains. In some pool configurations, if a person's body covers the drain, the person can be trapped by suction. The SVRS turns off the pump if this occurs.

**⚠ WARNING** Depending on your pool configuration, a SVRS may be required to meet local, state, and federal requirements.

## Squirrel Cage (Three Phase) - Dripproof - 3600/3000 RPM - 1/2 thru 3 HP

### Features:

- Ball Bearings
- Cast Iron NEMA "C" Bracket
- 50/60 Hz
- 40°C Ambient
- 303 Stainless Steel Shaft
- Class A or B Insulation
- Reversible (Three Phase)



H281

### 60/50 Hz • Three Phase "1081" • Full Rate • High Service Factor

HP	RPM	Volts	Service Factor Amps@ 60 Hz	Service Factor	THP	Frame	Stock Number	Shaft	Overload Protector	Insul. Class	"C" Dim.	Notes
1/2	3450	208-230/460	2.1-2.4/1.2	1.60	0.8	56C	H281	Keyed	None	A	11.87	282
1/2	3450	208-230/460	2.1-2.4/1.2	1.60	0.8	56J	H282	Threaded	None	A	12.05	282
3/4	3450	208-230/460	3.7-3.6/1.8	1.50	1.13	56C	H450	Keyed	None	A	12.80	282
3/4	3450	208-230/460	3.7-3.6/1.8	1.50	1.13	56J	H451	Threaded	None	A	12.12	282
1	3450	208-230/460	4.3-4.0/2.0	1.40	1.40	56C	H513	Keyed	None	A	12.62	282
1	3450	208-230/460	4.3-4.0/2.0	1.40	1.40	56J	H514	Threaded	None	A	12.12	282
1-1/2	3450	208-230/460	5.9-5.6/2.8	1.30	1.95	56C	H616	Keyed	None	A	13.24	282
1-1/2	3450	208-230/460	5.9-5.6/2.8	1.30	1.95	56J	H617	Threaded	None	A	12.62	282
2	3450	208-230/460	7.0-6.6/3.3	1.20	2.4	56C	H704	Keyed	None	A	13.62	282
2	3450	208-230/460	7.0-6.6/3.3	1.20	2.4	56J	H705	Threaded	None	A	13.12	282
3	3450	208-230/460	9.6-9.2/4.6	1.15	3.45	56C	H740	Keyed	None	B	13.30	257
3	3450	208-230/460	9.6-9.2/4.6	1.15	3.45	56J	H741	Threaded	None	B	13.12	257

### Note:

257. 60 HZ only

282. 3450 RPM for 60 HZ and 2875 RPM for 50 HZ

## Centurion® Square Flange Pool and Spa Pump Motors

### Squirrel Cage - Three Phase - Dripproof - No Base - 3600 RPM - 1/2 thru 3 HP

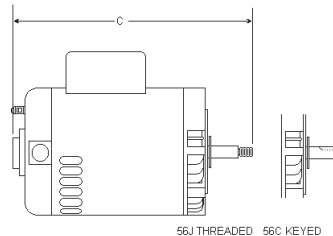
### Features:

- Ball Bearings
- Class B Insulation
- 60 Hz
- 303 Stainless Steel Threaded Shafts
- 50°C Ambient



H491

HP	RPM	Volts	Service Factor Amps@ 60 Hz	Service Factor	THP	Frame	Stock Number	Shaft	Overload Protector	"C" Dim.	Notes
1/2	3450	208-230/460	3.2-3.0/1.5	1.90	0.95	56Y	H491	Threaded	None	12.2	
3/4	3450	208-230/460	3.8-3.6/1.8	1.65	1.24	56Y	H492	Threaded	None	12.8	
1	3450	208-230/460	5.0-4.6/2.3	1.65	1.65	56Y	H635	Threaded	None	13.2	
1-1/2	3450	208-230/460	6.4-5.8/2.9	1.47	2.21	56Y	H636	Threaded	None	13.4	
2	3450	208-230/460	7.1-6.8/3.4	1.30	2.6	56Y	H637	Threaded	None	13.9	
3	3450	208-230/460	9.0-8.6/4.3	1.15	3.45	56Y	H755	Threaded	None	13.9	



### Important:

- Total output (HP x service factor) of replacement motor must equal or exceed motor being replaced.
- The pool motors on this page are **NOT equipped with a Safety Vacuum Release System (SVRS)**. SVRS helps prevent drowning due to body entrapment on underwater drains. In some pool configurations, if a person's body covers the drain, the person can be trapped by suction. The SVRS turns off the pump if this occurs.

**⚠ WARNING** Depending on your pool configuration, a SVRS may be required to meet local, state, and federal requirements.

# NEMA-C Face Single Phase Jet Pump Motors

Important: Total horsepower (HP x service factor) of replacement motor must equal or exceed motor being replaced

## Features:

- Auto Protector
- Ball Bearings
- CCWPE & Reversible
- Capacitor Start
- Internally Mounted Capacitor
- Continuous Duty
- Sealed Switch Design
- 40°C Ambient
- 60 Hz
- High Service Factors
- NEMA “56C” Mount
- “778” Design
- Carbon Keyed and 303 Stainless Steel Thrd. Shafts



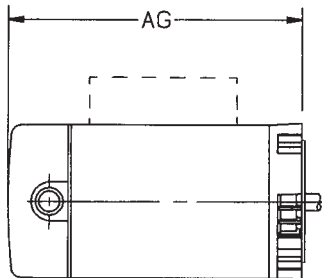
**WARNING:** Not a suitable replacement for swim pool pump motors.

## NEMA-C Face Single Phase Jet Pump Motors

HP	RPM	Volts	Max. Amps	Service Factor	Frame	Stock Number	Enclosure	Shaft	Insul Class	Rotation	“AG” Dim	Notes
1/3	3450	115/230	8.6/4.3	1.80	56C	K1030	ODP	Keyed	B	CCWPE	8-1/4	
1/3	3450	115/230	8.6/4.3	1.80	56C	K1032	ODP	Keyed	B	REV	8-1/4	
1/3	3450	115/230	8.6/4.3	1.80	56J	T1032	ODP	Threaded	B	CCWPE	8-1/4	12
1/2	3450	115/230	10.8/5.4	1.60	56C	K1050	ODP	Keyed	B	CCWPE	8-5/8	
1/2	3450	115/230	10.8/5.4	1.60	56C	K1052	ODP	Keyed	B	REV	8-5/8	
1/2	3450	115/230	10.8/5.4	1.60	56J	T1052	ODP	Threaded	B	CCWPE	8-5/8	12
3/4	3450	115/230	14.8/7.4	1.50	56C	K1070	ODP	Keyed	B	CCWPE	9-1/2	
3/4	3450	115/230	14.8/7.4	1.50	56C	K1072	ODP	Keyed	B	REV	9-1/2	
3/4	3450	115/230	14.8/7.4	1.50	56J	T1072	ODP	Threaded	B	CCWPE	9-1/2	12
1	3450	115/230	16.2/8.1	1.40	56C	K1100	ODP	Keyed	B	CCWPE	10	
1	3450	115/230	16.2/8.1	1.40	56C	K1102	ODP	Keyed	B	REV	10	
1	3450	115/230	16.2/8.1	1.40	56J	T1102	ODP	Threaded	B	CCWPE	10	12
1 1/2	3450	115/230	22.0/11.0	1.30	56C	K1150	ODP	Keyed	B	CCWPE	11-5/16	
1 1/2	3450	115/230	22.0/11.0	1.30	56C	K1152	ODP	Keyed	B	REV	11-5/16	
1 1/2	3450	115/230	22.0/11.0	1.30	56J	T1152	ODP	Threaded	B	CCWPE	11-5/16	12
2	3450	115/230	22.6/11.3	1.20	56C	K1200	ODP	Keyed	B	CCWPE	11-15/16	20,\$
2	3450	115/230	22.6/11.3	1.20	56C	K1202	ODP	Keyed	B	REV	11-15/16	20,\$
2	3450	115/230	22.6/11.3	1.20	56J	T1202	ODP	Threaded	B	CCWPE	11-15/16	20,\$
3	3450	208-230	15.0-13.3	1.15	56C	SK1302V1	ODP	Keyed	B	CWLE	13-7/8	12,20,90,142,\$
3	3450	208-230	15.0-13.3	1.15	56J	ST1302V1	ODP	Threaded	B	CWLE	14-3/16	20,90,142,\$

## Notes:

- \$ Energy Efficient
- 12. 303 Stainless Steel Shaft
- 20. \$ Energy Efficient capacitor start, capacitor run “Conservationist” motor
- 90. 50°C ambient
- 142. Service factor amps





# Square Flange Single Phase Jet Pump Motors

Important: Total horsepower (HP x service factor) of replacement motor must equal or exceed motor being replaced

## Features:

- High Service Factors
- Rotation-CCW Pump End
- Continuous Duty
- 303 Stainless Steel Thrd. Shafts
- Capacitor Start
- Internally Mounted Capacitor
- Sealed Switch Design
- "778" Design
- 60 Hz
- 50°C Ambient



Q1032

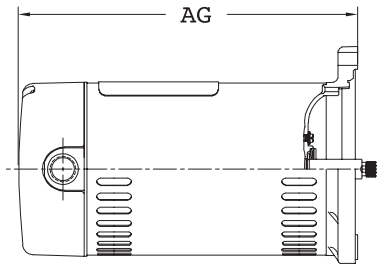
**WARNING:** Not a suitable replacement for square flange swim pool pump motors.

## Square Flange Single Phase Jet Pump Motors

HP	RPM	Volts	Maximum Amps	Service Factor	Frame	Stock Number	Bearings	Enclosure	Insul Class	Protector	Approx. "AG"	Notes
1/3	3450	115/230	9.9/4.95	1.95	48Y	<b>Q1032</b>	Ball	ODP	B	Auto	9.63	
1/2	3450	115/230	12.4/6.2	1.90	48Y	<b>Q1052</b>	Ball	ODP	B	Auto	10.38	
3/4	3450	115/230	14.8/7.4	1.65	48Y	<b>Q1072</b>	Ball	ODP	B	Auto	11.00	
1	3450	115/230	19.9/9.95	1.65	48Y	<b>Q1102</b>	Ball	ODP	B	Auto	11.88	
1 1/2	3450	115/230	24.0/12.0	1.47	48Y	<b>Q1152</b>	Ball	ODP	B	Auto	12.63	
2	3450	115/230	24.0/12.0	1.25	48Y	<b>Q1202</b>	Ball	ODP	B	Auto	12.63	20,31,\$

## Notes:

- \$ Energy Efficient
- 20. \$ Energy Efficient capacitor start, capacitor run "Conservationist" motor
- 31. 40 degree C ambient



# Century® NEMA “C” Face Commercial Pump Motors

## Commercial Pump Motors – Three Phase – Squirrel Cage – Dripproof, TEFC & TENV No Base 3600 RPM – 1/3 thru 3 HP

**Features:** Double Sealed Ball bearings • 60 Hz • 40°C Ambient

**Applications:** Domestic, commercial and industrial water systems. May be mounted horizontally or vertically, open or enclosed, keyed or threaded shaft. Shaft end ball bearings locked in bracket takes all pump thrust.



H506

### DRIPPROOF

HP	RPM	Volts	Service Factor Amps	Service Factor	Frame	Stock Number	Enclosure	Shaft	Insul. Class	Overload Protector	“C” Dim.	Notes
1/3	3450/2850	200-230/460	2.0-1.8/9	1.75	56C	H251	ODP	Keyed	B	None	10.5	6,48,267
1/3	3450	575	0.72	1.75	56C	H198	ODP	Keyed	B	None	10.5	
1/3	3450/2850	200-230/460	2.0-1.8/9	1.75	56J	H137	ODP	Threaded	B	None	11.0	6,12,267
1/2	3450/2850	208-230/460	2.6-2.6/1.3	1.60	56C	H254	ODP	Keyed	B	None	10.5	6,48,267
1/2	3450	575	0.90	1.60	56C	H247	ODP	Keyed	B	None	10.5	
1/2	3450/2850	208-230/460	2.6-2.6/1.3	1.60	56J	H155	ODP	Threaded	B	None	11.0	6,12,267
1/2	3450	575	0.9	1.60	56J	H248	ODP	Threaded	B	None	11.0	12
3/4	3450/2850	208-230/460	3.4-3.4/1.7	1.50	56C	H508	ODP	Keyed	B	None	11.3	6,48,267
3/4	3450	575	1.2	1.50	56C	H298	ODP	Keyed	B	None	11.3	
3/4	3450/2850	208-230/460	3.4-3.4/1.7	1.50	56J	H446	ODP	Threaded	B	None	11.8	6,12,267
3/4	3450	575	1.2	1.50	56J	H299	ODP	Threaded	B	None	11.8	12
1	3450/2850	208-230/460	4.3-4.0/2.0	1.40	56C	H511	ODP	Keyed	B	None	11.3	6,48,267
1	3450	575	1.5	1.40	56C	H428	ODP	Keyed	B	None	11.3	
1	3450/2850	208-230/460	4.3-4.0/2.0	1.40	56J	H506	ODP	Threaded	B	None	11.8	6,12,267
1	3450	575	1.5	1.40	56J	H429	ODP	Threaded	B	None	11.8	12
1 1/2	3450/2850	208-230/460	5.8-5.6/2.8	1.30	56C	H609	ODP	Keyed	B	None	11.8	6,48,267
1 1/2	3450	575	1.75	1.30	56C	H592	ODP	Keyed	B	None	11.8	
1 1/2	3450/2850	208-230/460	5.8-5.6/2.8	1.30	56J	H607	ODP	Threaded	B	None	12.3	6,12,267
1 1/2	3450	575	1.75	1.30	56J	H593	ODP	Threaded	B	None	12.3	12
2	3450/2850	200-230/460	6.8-6.6/3.3	1.20	56C	H612	ODP	Keyed	B	None	12.3	6,48,267
2	3450	575	2.5	1.20	56C	H628	ODP	Keyed	B	None	12.3	
2	3450/2850	200-230/460	6.8-6.6/3.3	1.20	56J	H733	ODP	Threaded	B	None	12.8	6,12,267
2	3450	575	2.5	1.20	56J	H629	ODP	Threaded	B	None	12.8	12
3	3450	200-230/460	9.8-9.6/4.8	1.15	56C	H736	ODP	Keyed	B	None	12.3	
3	3450	575	3.4	1.15	56C	H713	ODP	Keyed	B	None	12.3	
3	3450	200-230/460	9.8-9.6/4.8	1.15	56J	H734	ODP	Threaded	B	None	12.8	12
3	3450	575	3.4	1.15	56J	H714	ODP	Threaded	B	None	12.8	12

### TEFC

HP	RPM	Volts	Service Factor Amps	Service Factor	Frame	Stock Number	Enclosure	Shaft	Insul. Class	Overload Protector	“C” Dim.	Notes
1/3	3450	200-230/460	1.3-1.4/7	1.15	56C	H191	TENV	Keyed	B	None	9.8	1
1/3	3450	200-230/460	1.3-1.4/7	1.15	56J	H259	TENV	Threaded	B	None	9.7	12
1/2	3450	200-230/460	1.9-1.8/9	1.15	56C	H192	TENV	Keyed	B	None	9.5	
1/2	3450	200-230/460	1.9-1.8/9	1.15	56J	H283	TENV	Threaded	B	None	10.1	12
3/4	3450	200-230/460	2.6-2.4/1.2	1.15	56C	H193	TEFC	Keyed	B	None	11.3	
3/4	3450	200-230/460	2.6-2.4/1.2	1.15	56J	H515	TEFC	Threaded	B	None	11.9	12
3/4	3450	575	0.92	1.00	56J	H966	TEFC	Threaded	B	None	11.8	12
1	3450	200-230/460	3.2-3.0/1.5	1.15	56C	H194	TEFC	Keyed	B	None	11.3	
1	3450	200-230/460	3.2-3.0/1.5	1.15	56J	H516	TEFC	Threaded	B	None	11.8	12
1	3450	575	1.15	1.00	56J	H967	TEFC	Threaded	B	None	11.8	12
1 1/2	3450	200-230/460	4.5-4.2/2.1	1.15	56C	H195	TEFC	Keyed	B	None	11.7	
1 1/2	3450	200-230/460	4.5-4.2/2.1	1.15	56J	H661	TEFC	Threaded	B	None	12.3	12
1 1/2	3450	575	1.6	1.00	56J	H968	TEFC	Threaded	B	None	12.2	12
2	3450	200-230/460	6.0-5.3/2.65	1.15	56C	H196	TEFC	Keyed	B	None	12.2	
2	3450	200-230/460	6.0-5.5/2.75	1.15	56J	H706	TEFC	Threaded	B	None	12.8	12
2	3450	575	2.2	1.00	56J	H969	TEFC	Threaded	B	None	12.7	12
2	3450	575	2.2	1.00	56C	H948	TEFC	Keyed	B	None	12.6	1
3	3450	200-230/460	8.5-8.2/4.1	1.00	56C	H197	TEFC	Keyed	B	None	13.5	
3	3450	200-230/460	8.5-8.2/4.1	1.00	56J	H707	TEFC	Threaded	B	None	13.8	12,104
3	3450	575	3.1	1.00	56J	H970	TEFC	Threaded	B	None	14.2	12

**Notes:**

- 1. Item to be discontinued when stock is depleted
- 6. 60/50 Hertz
- 12. 303 Stainless steel shaft
- 48. 1.0 Service factor at 50 HZ
- 104. Vertical mount
- 267. 50 Hz-1.00 Service Factor, 190/380 volt

# Century® Close-Coupled Pump Motors

## Types JM, JP and TCZ - Three-Phase - Horizontal - Dripproof - Rigid Base - 3600 and 1800 RPM - 60 Hz - 1 thru 3 HP

### Features:

- Ball Bearings
- External Slinger
- 60 Hz
- 40°C Ambient
- Oversized Locked Shaft End Bearing
- Frame Suffix Letters TCZ Designate Century West Coast Pump Standard Motors
- Frame Suffix Letters JM and JP Designate NEMA Standard Motors



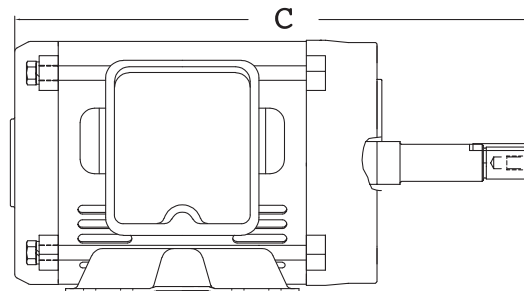
TCP81026

**Applications:** Commercial/industrial pump duty. Designed to meet a wide variety of applications for fluid transfer.

HP	RPM	Volts	Full Load Amps	Service Factor	Frame	Stock Number	Type	Insulation Class	Protector	Rotation	"C" Dim.	Notes
1	1750	230/460	3.2/1.6	1.15	143JM	TCP81026	E+3(NP)	F	None	CCW		New!
1	1745/1425	230/460	3.0/1.5	1.25	143JP	E118E	E+	B	None	RCC	18.6	New!
1	1750	230/460	3.2/1.6	1.15	143JP	TCP82026	E+3(NP)	F	None	CCW	15.7	New!
1 1/2	3500	230/460	4.2/2.1	1.15	143JM	TCP81002	E+3(NP)	F	None	CCW	14.0	New!
1 1/2	3500	230/460	4.2/2.1	1.15	143JP	TCP82002	E+3(NP)	F	None	CCW	17.1	New!
1 1/2	1725	230/460	4.0/2.0	1.25	145JP	E157E	E+	B	None	RCC	17.9	New!
1 1/2	1740	230/460	4.6/2.3	1.15	145JM	TCP81027	E+3(NP)	F	None	CCW	12.6	New!
1 1/2	1740	230/460	4.6/2.3	1.15	145JP	TCP82027	E+3(NP)	F	None	CCW	15.7	New!
2	3450	230/460	5.4/2.7	1.15	145JM	E159E	E+	B	None	RCC	15.9	New!
2	3450/2850	230/460	5.4/2.7	1.25	145JM	E172E	E+	B	None	RCC	17.9	6,21,New!
2	3490	230/460	5.0/2.5	1.15	145JM	TCP81003	E+3(NP)	F	None	CCW	12.6	New!
2	3490	230/460	5.0/2.5	1.15	145JP	TCP82003	E+3(NP)	F	None	CCW	15.7	New!
2	1745/1425	230/460	6.4/3.2	1.25	145JP	E175		B	None	RCC	17.9	1,6,21
2	1725	230/460	5.8/2.9	1.15	145JM	TCP81028	E+3(NP)	F	None	CCW	12.6	New!
2	1725	230/460	5.8/2.9	1.15	145JP	TCP82028	E+3(NP)	F	None	CCW	15.7	New!
3	3450/2850	230/460	8.6/4.3	1.25	145TCZ	E179		B	None	RCC	17.9	1,6,21
3	3470	230/460	7.4/3.7	1.15	145JM	TCP81004	E+3(NP)	F	None	CCW	12.6	New!
3	3470	230/460	7.4/3.7	1.15	145JP	TCP82004	E+3(NP)	F	None	CCW	15.7	New!
3	3600	575	3.0	1.15	182JM	TCP84004	E+3(NP)	F	None	CCW	14.0	New!
3	3600	575	3.0	1.15	182JP	TCP85004	E+3(NP)	F	None	CCW	17.1	New!
3	1745	230/460	8.4/4.2	1.15	182JM	TCP11029	E+	F	None	CCW	18.7	New!
3	1745	230/460	8.4/4.2	1.15	182JP	TCP12029	E+	F	None	CCW	18.8	New!
3	1760	230/460	7.8/3.9	1.15	182JM	TCP81029	E+3(NP)	F	None	CCW	15.8	New!
3	1760	230/460	7.8/3.9	1.15	182JP	TCP82029	E+3(NP)	F	None	CCW	18.8	New!
3	1800	575	3.1	1.15	182JM	TCP84029	E+3(NP)	F	None	CCW	15.8	New!
3	1800	575	3.1	1.15	182JP	TCP85029	E+3(NP)	F	None	CCW	18.8	New!

### Notes:

1. Item to be discontinued when stock is depleted
6. 60/50 HZ
21. Terminal in bracket construction



## Types JM, JP and TCZ - Three-Phase - Horizontal - Dripproof - Rigid Base 3600 and 1800 RPM - 60 Hz - 5 thru 25 HP

### Features:

- Ball Bearings
- External Slinger
- 60 Hz
- 40°C Ambient
- Oversized Locked Shaft End Bearing
- Frame Suffix Letters TCZ Designate Century West Coast Pump Standard Motors
- Frame Suffix Letters JM and JP Designate NEMA Standard Motors



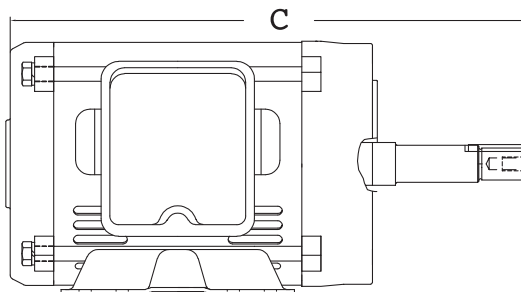
TCP11005

**Applications:** Commercial/industrial pump duty. Designed to meet a wide variety of applications for fluid transfer.

HP	RPM	Volts	Full Load Amps	Service Factor	Frame	Stock Number	Type	Insulation Class	Protector	Rotation	"C" Dim.	Notes
5	3495	230/460	12.0/6.0	1.15	182JM	TCP81005	E+3(NP)	F	None	CCW	15.8	New!
5	3450/2850	230/460	13.4/6.7	1.25	182JP	E297		F	None	RCC	20.2	1,6,21
5	3495	230/460	12.0/6.0	1.15	182JP	TCP82005	E+3(NP)	F	None	CCW	18.8	New!
5	3475	230/460	12.4/6.2	1.15	182JM	TCP11005	E+	F	None	CCW	14.4	New!
5	3475	230/460	12.4/6.2	1.15	182JP	TCP12005	E+	F	None	CCW	17.5	New!
5	3600	575	4.7	1.15	182JM	TCP84005	E+3(NP)	F	None	CCW	15.8	New!
5	3600	575	4.7	1.15	182JP	TCP85005	E+3(NP)	F	None	CCW	18.8	New!
5	1750	230/460	12.8/6.4	1.15	184JM	TCP81030	E+3(NP)	F	None	CCW	15.8	New!
5	1750	230/460	12.8/6.4	1.15	184JP	TCP82030	E+3(NP)	F	None	CCW	18.8	New!
5	1745	230/460	13.2/6.6	1.15	184JM	TCP11030	E+	F	None	CCW	14.4	New!
5	1745	230/460	13.2/6.6	1.15	184JP	TCP12030	E+	F	None	CCW	17.5	New!
5	1750	575	5.1	1.15	184JM	TCP84030	E+3(NP)	F	None	CCW	15.8	New!
5	1750	575	5.1	1.15	184JP	TCP85030	E+3(NP)	F	None	CCW	18.8	New!
7 1/2	3490	230/460	18.0/9.0	1.15	184JM	TCP11006	E+	F	None	CCW	14.4	New!
7 1/2	3490	230/460	18.0/9.0	1.15	184JP	TCP12006	E+	F	None	CCW	17.5	New!
7 1/2	3600	230/460	17.0/8.5	1.15	213JM	TCP81006	E+3(NP)	F	None	CCW	18.8	New!
7 1/2	3490	230/460	17.0/8.5		213JP	TCP82006	E+3(NP)	F	None	CCW	18.8	New!
7 1/2	1745	230/460	19.4/9.7	1.15	213JM	E368E	E+	F	None	CCW	18.5	New!
7 1/2	1745	230/460	19.4/9.7	1.15	213JP	E369E	E+	F	None	CCW	21.5	New!
10	3495	230/460	23.2/11.6	1.15	213JM	E371ME	E+	F	None	CCW	18.5	New!
10	3495	230/460	23.2/11.6	1.15	213JP	E372ME	E+	F	None	CCW	21.5	New!
10	1745	230/460	26.8/13.4	1.15	215JM	E374E	E+	F	None	CCW	18.5	New!
10	1765	230/460	25.6/12.8	1.15	215JM	TCP81032	E+3(NP)	F	None	CCW	18.7	New!
10	1745	230/460	26.8/13.4	1.15	215JP	E375E	E+	F	None	CCW	21.5	New!
15	3480	230/460	34.0/17.0	1.15	215JM	E377E	E+	F	None	CCW	19.0	New!
15	3480	230/460	34.0/17.0	1.15	215JP	E378E	E+	F	None	CCW	21.7	New!
15	1750	230/460	37.0/18.5	1.15	254T	E482E	E+	F	None	CCW	21.4	New!
15	1750	230/460	37.0/18.5	1.15	254JP	E483E	E+	F	None	RCCW	24.2	New!
20	1765	230/460	49.4/24.7	1.15	256JM	TCP81034	E+3(NP)	F	None	CCW	23.9	New!
20	1745	230/460	49.6/24.8	1.15	256JM	E488E	E+	F	None	CCW	21.4	New!
20	1745	230/460	49.6/24.8	1.15	256JP	E489E	E+	F	None	RCC	24.2	New!
25	3520	230/460	59.0/29.5	1.15	256JM	E491E	E+	F	None	REV	21.4	New!
25	3520	230/460	59.0/29.5	1.15	256JP	E492E	E+	F	None	REV	24.2	New!

### Notes:

1. Item to be discontinued when stock is depleted
6. 60/50 HZ
21. Terminal in bracket construction



# Century® Industrial Close-Coupled Pump Motors

## Types JM, JP and TCZ - Three-Phase - Horizontal - TEFC - Rigid Base 3600 and 1800 RPM - 1 thru 7 1/2 HP

### Features:

- Ball Bearings
- External Slinger
- 60 Hz
- 40°C Ambient
- Oversized, Locked Shaft End Bearing
- Frame Suffix Letters JM and JP Designate NEMA Standard Motors
- Frame Suffix TCZ Designates Century West Coast Pump Standard Motors



TCP71001

**Applications:** Designed for the specific requirements of centrifugal pumps.

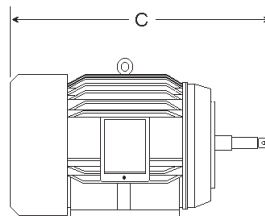
HP	RPM	Volts	Full Load Amps	Service Factor	Frame	Stock Number	Type	Insulation Class	Cast Iron	"C" Dim.	Efficiency	Notes
1	3440	230/460	3.2/1.6	1.15	143JM	TCP71001 ✪	E+	F	✓	15.5	75.5	361,363
1	3440	230/460	3.2/1.6	1.15	143JP	TCP72001 ✪	E+	F	✓	18.9	75.5	361,363
1	1745	200-230/460	3.3-3.2/1.6	1.15	143JM	N149L		B		14.6		1
1	1745	230/460	3.2/1.6	1.15	143JM	N149E	E+	B		16.0	84.0	New!
1	1750	230/460	2.9/1.5	1.15	143JM	TCP71026 ✪	E+	F	✓	15.5	82.5	361,363
1	1750	230/460	2.9/1.5	1.15	143JP	TCP72026 ✪	E+	F	✓	18.9	82.5	361,363
1 1/2	3450	230/460	4.0/2.0	1.15	143JM	N148E	E+	B		16.0	82.5	New!
1 1/2	3510	230/460	4.4/2.2	1.15	143JM	TCP71002 ✪	E+	F	✓	15.5	82.5	361,363
1 1/2	3510	230/460	4.4/2.2	1.15	143JP	TCP72002 ✪	E+	F	✓	18.9	82.5	361,363
1 1/2	1745	230/460	4.0/2.0	1.15	145JM	N161E	E+	B		14.6	84.0	New!
1 1/2	1725	230/460	4.2/2.1	1.15	145JM	TCP71027 ✪	E+	F	✓	15.5	84.0	361,363
1 1/2	1725	230/460	4.2/2.1	1.15	145JP	TCP72027 ✪	E+	F	✓	18.9	84.0	361,363
2	3450	230/460	15.4/2.7	1.15	145JM	N153E	E+	B		16.0	84.0	New!
2	3510	230/460	5.2/2.6	1.15	145JM	TCP71003 ✪	E+	F	✓	15.5	84.0	361,363
2	3510	230/460	5.2/2.6	1.15	145JP	TCP72003 ✪	E+	F	✓	18.9	84.0	361,363
2	1710	230/460	5.6/2.8	1.15	145JM	TCP71028 ✪	E+	F	✓	15.5	84.0	361,363
2	1710	230/460	5.6/2.8	1.15	145JP	TCP72028 ✪	E+	F	✓	18.9	84.0	361,363
3	3450	230/460	8.2/4.1	1.15	145JM	N157E	E+	B		17.5	85.5	New!
3	3520	230/460	7.2/3.6	1.15	182JP	TCP72004 ✪	E+	F	✓	17.2	85.5	361,363
3	3520	230/460	7.2/3.6	1.15	182JM	TCP71004 ✪	E+	F	✓	17.2	85.5	361,363
3	1750	230/460	8.0/4.0	1.15	182JP	TCP72029 ✪	E+	F	✓	20.9	87.5	361,363
3	1750	230/460	8.0/4.0	1.15	182JM	TCP71029 ✪	E+	F	✓	17.2	87.5	361,363
5	3490	230/460	11.8/5.9	1.15	184JM	TCP71005 ✪	E+	F	✓	17.2	87.5	361,363
5	3490	230/460	12.0/6.0	1.15	184JP	TCP72005 ✪	E+	F	✓	20.9	87.5	361,363
5	1735	230/460	13.0/6.5	1.15	184JP	TCP72030 ✪	E+	F	✓	20.9	87.5	361,363
5	1735	230/460	12.8/6.4	1.15	184JM	TCP71030 ✪	E+	F	✓	17.2	87.5	361,363
7 1/2	3500	230/460	19.0/9.5	1.15	213JM	TCP71006 ✪	E+	F	✓	21.1	88.5	362,363
7 1/2	3500	230/460	19.0/9.5	1.15	213JP	TCP72006 ✪	E+	F	✓	24.9	88.5	362,363
7 1/2	3500	575	7.52	1.15	213JP	TCP74006 ✪	E+	F	✓	21.0	87.5	New!
7 1/2	1760	230/460	19.0/9.5	1.15	213JP	TCP72031 ✪	E+	F	✓	24.9	89.5	362,363
7 1/2	1760	230/460	19.0/9.5	1.15	213JM	TCP71031 ✪	E+	F	✓	21.1	89.5	362,363

### Notes:

1. Item to be discontinued when stock is depleted
361. 9 lead
362. 12 lead – Capability for Y Start-Delta Run
363. Double shielded bearings with no regreasing provisions



Motors specially designed, tested and warranted to be **Corona-Free** for compatible inverter duty are marked on this page with a ✪ See page 4 and 5 of this catalog for more Speed Engineered® motors information.



# Century® Industrial Close-Coupled Pump Motors

## Types JM, JP and TCZ - Three-Phase - Horizontal - TEFC - Rigid Base 3600 and 1800 RPM - 10 thru 50 HP

### Features:

- Ball Bearings
- External Slinger
- 60 Hz
- 40°C Ambient
- NEMA Design B
- Oversized, Locked Shaft End Bearing
- Frame Suffix Letters JM and JP Designate NEMA Standard Motors
- Frame Suffix TCZ Designates Century West Coast Pump Standard Motors



TCP11007

**Applications:** Designed for the specific requirements of centrifugal pumps.

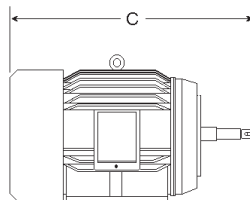
HP	RPM	Volts	Full Load Amps	Service Factor	Frame	Stock Number	Type	Insulation Class	Cast Iron	"C" Dim.	Efficiency	Notes
10	3500	230/460	25.0/12.5	1.15	215TCZ	N313				24.1	85.5	1,333
10	3495	230/460	24.0/12.0	1.15	215JM	TCP71007	E+	F	✓	21.1	89.5	361,363
10	3495	230/460	24.0/12.0	1.15	215JP	TCP72007	E+	F	✓	24.9	89.5	362,363
10	3495	575	9.6	1.15	215JM	TCP74007	E+	F	✓		89.5	
10	1760	230/460	25.0/12.5	1.15	215JP	TCP72032	E+	F	✓	24.9	89.5	362,363
10	1760	230/460	25.0/12.5	1.15	215JM	TCP71032	E+	F	✓	21.1	89.5	362,363
15	3510	230/460	35.0/17.5	1.15	254JM	TCP71008	E+	F	✓	26.9	90.2	362,364
15	3510	230/460	35.0/17.5	1.15	254JP	TCP72008	E+	F	✓	29.8	90.2	362,364
15	3510	575	14.08	1.15	254JM	TCP74008	E+	F	✓		90.2	New!
15	1750	230/460	37.0/18.5	1.15	254JM	TCP71033	E+	F	✓	26.9	91.0	362,364
15	1750	230/460	37.0/18.5	1.15	254JP	TCP72033	E+	F	✓	29.8	91.0	362,364
20	3510	230/460	47.0/23.5	1.15	256JM	TCP71009	E+	F	✓	26.9	90.2	362,364
20	3510	230/460	47.0/23.5	1.15	256JP	TCP72009	E+	F	✓	29.8	90.2	362,364
20	3510	575	18.8	1.15	256JM	TCP74009	E+	F	✓		90.2	New!
20	1755	230/460	49.0/24.5	1.15	256JP	TCP72034	E+	F	✓	29.8	91.0	362,364
20	1755	230/460	49.0/24.5	1.15	256JM	TCP71034	E+	F	✓	26.9	91.0	362,364
25	3540	230/460	59.0/29.5	1.15	284JM	TCP71010	E+	F	✓	27.8	91.0	362,364
25	3540	230/460	59.0/29.5	1.15	284JP	TCP72010	E+	F	✓	30.7	91.0	362,364
25	3540	575	23.6	1.15	284JM	TCP74010	E+	F	✓		91.0	
25	1760	230/460	62.0/31.0	1.15	284JM	TCP71035	E+	F	✓	27.8	92.4	362,364
25	1760	230/460	62.0/31.0	1.15	284JP	TCP72035	E+	F	✓	30.7	92.4	362,364
30	3535	230/460	70.0/35.0	1.15	286JM	TCP71011	E+	F	✓	29.3	91.0	362,364
30	3535	230/460	70.0/35.0	1.15	286JP	TCP72011	E+	F	✓	32.2	91.0	362,364
30	3535	575	28	1.15	286JM	TCP74011	E+	F	✓	29.3	91.0	
30	1755	230/460	73.0/36.5	1.15	286JM	TCP71036	E+	F	✓	29.3	92.4	362,364
30	1755	230/460	73.0/36.5	1.15	286JP	TCP72036	E+	F	✓	32.2	92.4	362,364
40	3535	230/460	96.0/48.0	1.15	324JM	TCP71012	E+	F	✓	30.0	91.7	362,364
40	3535	230/460	96.0/48.0	1.15	324JP	TCP72012	E+	F	✓	32.8	91.7	362,364
40	1765	230/460	96.0/48.0	1.15	324JM	TCP71037	E+	F	✓	30.0	93.0	362,364
40	1765	230/460	96.0/48.0	1.15	324JP	TCP72037	E+	F	✓	32.8	93.0	362,364
50	3550	230/460	120.0/60.0	1.15	326JM	TCP71013	E+	F	✓	31.6	92.4	362,364
50	3550	230/460	120.0/60.0	1.15	326JP	TCP72013	E+	F	✓	34.5	92.4	362,364
50	3550	575	48	1.15	326JM	TCP74013	E+	F	✓	31.6	92.4	
50	1765	230/460	118.0/59.0	1.15	326JM	TCP71038	E+	F	✓	31.6	5.0	362,364
50	1765	230/460	118.0/59.0	1.15	326JP	TCP72038	E+	F	✓	34.5	93.0	362,364

### Notes:

1. Item to be discontinued when stock is depleted
362. 12 lead – Capability for Y Start-Delta Run
363. Double shielded bearings with no regreasing provisions
364. Open bearings with regreasing provisions



Motors specially designed, tested and warranted to be **Corona-Free** for compatible inverter duty are marked on this page with a ⚡ See page 4 and 5 of this catalog for more Speed Engineered® motors information.



# Century® Close-Coupled Pump Motors

## Types JM, JP and TCZ – Single-Phase – Horizontal – Dripproof – Rigid Base 3600 and 1800 RPM – 1 thru 10 HP

### Features:

- Double Sealed Ball Bearings
- External Slinger
- Reversible
- 60 Hz
- 40°C Ambient
- Oversized, Locked Shaft End Bearing
- Frame Suffix Letters JM and JP Designate NEMA Standard Motors
- Frame Suffix TCZ Designates Century West Coast Pump Standard Motors

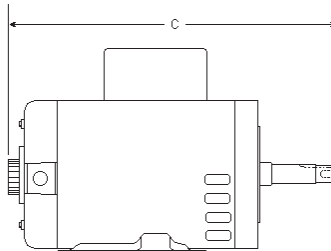


**Applications:** Designed for the specific requirements of centrifugal pumps.

HP	RPM	Volts	Full Load Amps	Service Factor	Frame	Stock Number	Enclosure	Insulation Class	Protector	"C" Dim.	Efficiency	Notes
1	1745	115/230	15.0/7.5	1.15	143JM	P121	ODP	B	None	15.6		21
1	1745	115/230	15.0/7.5	1.15	143JP	P126	ODP	B	None	18.6		21
1 1/2	3450	115/230	16.0/8.0	1.15	143JM	P122	ODP	B	None	15.6		21
1 1/2	1725	115/230	15.0/7.5	1.15	145JM	P123	ODP	B	None	16.3		21
1 1/2	1745	115/230	18.0/9.0	1.15	145JP	P128	ODP	B	None	18.6		21
2	3450	115/230	19.2/9.6	1.15	145JM	P124	ODP	B	None	15.5		21
2	1745	115/230	20.4/10.2	1.15	182JM	P137	ODP	B	None	16.3		21
2	1750	115/230	25.0/12.5	1.15	182JM	P228	ODP	B	None	16.0	72.5	
2	1750	115/230	25.0/12.5	1.15	182JP	P232	ODP	B	None	18.9	72.5	
3	3450	230	13.4	1.15	182JM	P130	ODP	B	None	16.1		21
3	3450	230	13.4	1.15	182JP	P131	ODP	B	None	19.4		21
3	3500	115/230	34.0/17.0	1.15	182JM	P229	ODP	B	None	16.0	72.0	
3	1750	115/230	34.0/17.0	1.15	184JM	P230	ODP	B	None	17.0	77.0	
5	3450	230	20.0	1.15	184JM	P140	ODP	B	None	17.1	83.9	160
5	3450	200	24.0	1.15	184JM	P133	ODP	B	None	17.0		21
5	3520	230	26.0	1.15	184JM	P231	ODP	B	None	17.0	77.0	
5	3500	230	26.0	1.15	184JP	P235	ODP	B	None	20.1	78.5	
5	3520	230	26.0	1.15	184TCZ	P212	ODP	B	None	20.1	77.0	
5	1750	230	25.0	1.15	213JM	P317	ODP	B	None	17.6	81.0	
5	1750	230	25.0	1.15	213JP	P324	ODP	B	None	21.5	81.0	
5	1750	230	25.0	1.15	213TCZ	P312	ODP	B	None	20.7	81.0	
7 1/2	3500	230	39.0	1.15	213JM	P318	ODP	B	None	17.6	77.0	
7 1/2	3500	230	39.0	1.15	213JP	P325	ODP	B	None	21.5	77.0	
7 1/2	3500	230	39.0	1.15	213TCZ	P311	ODP	B	None	20.7	77.0	
7 1/2	1750	230	32.0	1.15	215JM	P319	ODP	B	None	19.1	86.0	
7 1/2	1750	230	32.0	1.15	215JP	P326	ODP	B	None	23.0	86.0	
7 1/2	1750	230	32.0	1.15	215TCZ	P313	ODP	B	None	22.2	86.0	
10	3500	230	42.0	1.15	215JM	P320	ODP	B	None	19.2	83.8	
10	3500	230	42.0	1.15	215JP	P327	ODP	B	None	22.2	83.8	
10	3500	230	42.0	1.15	215TCZ	P321	ODP	B	None	22.2	83.8	

### Notes:

21. Terminal in bracket construction  
160. Non-reversible, connected for CW facing end opposite shaft



# Carbonator Pump Motors

## Features:

- Auto Protector
- Split Phase
- Class B Insulation
- 48 Frame
- Mount 48Y
- Special Shaft
- 60 Hz
- 40°C Ambient
- Sleeve Bearings



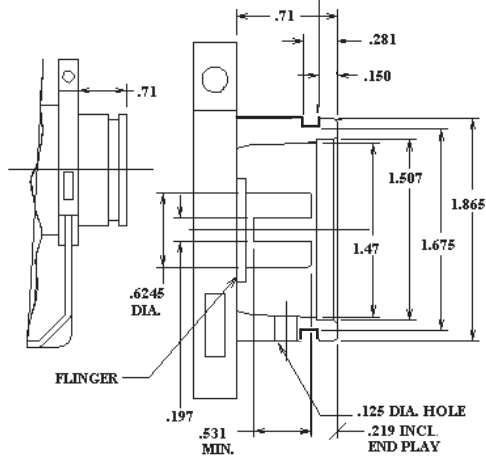
CB2024AV1

HP	RPM	Volts	Full Load Amps	Service Factor	Frame	Stock Number	Base/ Mounting	Enclosure	Rotation	"C" Dim.	Notes
1/4	1725	115	4.4	1.00	48Y	CB2024AV1	Resilient Base	Open	REV	8.1	179,319
1/4	1725/1425	115/230	4.0/2.0	1.00	48Y	CB2024AD	Resilient Base	Open	CCWLE	8.1	6,319
1/4	1725/1425	115/230	4.0/2.0	1.00	48Y	CB2024ADV1	Resilient Base	Open	CCW	8.6	6,319, <b>New!</b>
1/4	1425/1725	208-240	2.7-3.3/2.3-2.5	1.00	48Y	CBH2024A	Resilient Base	Open	CCW	8.6	6,319, <b>New!</b>
1/3	1725	115	6.2	1.00	48Y	CB2034A	Resilient Base	Open	CCWLE	8.6	319
1/3	1725	115	6.2	1.00	48Y	CB2034AV1	Resilient Base	Open	CCW	8.6	319, <b>New!</b>
1/3	1725	115	6.2	1.00	48Y	CB2034ARB	Rigid Base	Open	CCW	8.6	319, <b>New!</b>
1/3	1725/1425	115/230	4.6/2.3	1.00	48	CB2034AD	Resilient Base	ODP	REV	8.6	6,319
1/3	1725/1425	100-120/200-240	4.6/2.3	1.00	48	CB2034ADV1	Resilient Base	ODP	REV	8.6	6,319, <b>New!</b>
1/3	1725/1425	100-120/200-240	4.6/2.3	1.00	48	CB2034ADRB	Resilient Base	ODP	REV	8.6	6,319, <b>New!</b>
1/2	1725/1425	115/230	6.8/3.4	1.00	48	CB2054AD	Resilient Base	Open	REV	8.8	6,319
1/2	1725/1425	100-120/200-240	6.8/3.4	1.00	48	CB2054ADV1	Resilient Base	Open	REV	8.8	6,319

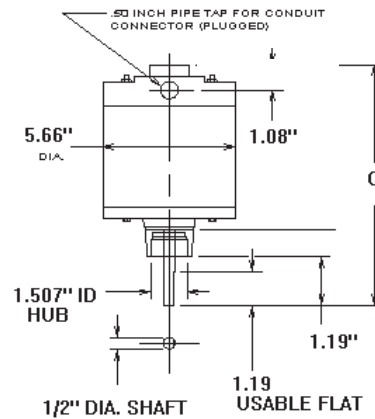
## Note:

- 6. 50/60 HZ
- 179. Low Amps
- 319. "C" Dimension is the total length including shaft

## CARBONATOR PUMP MOTOR HUB DIMENSIONS



## SUMP PUMP MOTOR DIMENSIONS



# Sump Pump Motors

## Features:

- Auto Protector
- Split Phase
- Sleeve Bearings
- Shaft Diameter 1/2" Flat
- 48 Frame
- 1.507" I.D. Hub
- 60 HZ



SP2030A

HP	RPM	Volts	Full Load Amps	Service Factor	Frame	Stock Number	Insulation Class	Enclosure	Rotation	"C" Dim.	Notes
1/3	1725	115	6.0	1.00	48Y	SP2030A	B	Open	CWLE	9.3	319
1/3	1725	115	6.0	1.00	48Y	SP2034A	B	Open	CWLE	9.3	195,319
1/2	1725	115	7.3	1.00	48Y	SP2050A	B	Open	REV	9.8	319

## Notes:

- 195. Includes 6' cord and switch
- 319. "C" Dimension is the total length including shaft



# Century® Belt Drive Elevator Motors

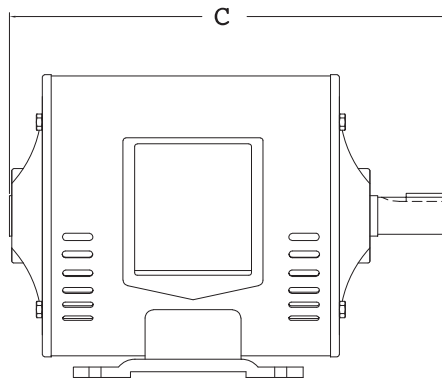
## Three Phase - Horizontal - Dripproof - Rigid Base - 1800 & 3600 RPM - 10 thru 60 HP

### Features:

- 120 Starts Per Hour, 40°C Ambient
- 80 Starts Per Hour 65°C Ambient
- Wye-Delta Start
- One Frame Size Smaller Than Standard
- 60 Hz
- Rigid Base



HP	RPM	Volts	Full Load Amps	Service Factor	Frame	Stock Number	Bearings	Enclosure	Insulation		Rotation	"C" Dim.
									Class	Protector		
10	1750	200	30.0	1.00	213T	R352	Ball	ODP	F	None	CCW	15.6
10	1750	230/460	26.0/13.0	1.00	213T	R353	Ball	ODP	F	None	CCW	15.6
15	3480	230/460	37.0/18.5	1.00	213T	R344	Ball	ODP	F	None	CCW	17.3
15	1750	200	44.0	1.00	215T	R354	Ball	ODP	F	None	CCW	16.6
15	1750	230/460	38.0/19.0	1.00	215T	R355	Ball	ODP	F	None	CCW	16.6
20	3480	230/460	50.0/25.0	1.00	215T	R345	Ball	ODP	F	None	CCW	17.5
20	1740	200	61.0	1.00	254T	R450	Ball	ODP	F	None	RCC	22.1
20	1740	230/460	54.0/27.0	1.15	254T	R451	Ball	ODP	F	None	CCW	22.1
25	3525	230/460	60.0/30.0	1.00	254T	R422	Ball	ODP	F	None	CCW	22.1
25	1740	200	75.5	1.00	256T	R452	Ball	ODP	F	None	RCC	22.1
25	1740	230/460	66.0/33.0	1.00	256T	R453	Ball	ODP	F	None	RCC	22.1
30	3520	230/460	74.0/37.0	1.00	256T	R423	Ball	ODP	F	None	CCW	22.1
30	1750	200	85.0	1.00	284T	R550	Ball	ODP	F	None	RCC	24.3
30	1750	230/460	74.0/37.0	1.00	284T	R551	Ball	ODP	F	None	RCC	24.3
40	3520	230/460	94.0/47.0	1.00	284T	R424	Ball	ODP	F	None	CCW	24.3
40	1750	200	113.0	1.00	286T	R552	Ball	ODP	F	None	RCC	24.3
40	1750	230/460	98.0/49.0	1.00	286T	R553	Ball	ODP	F	None	RCC	24.3
50	1750	200	141.0	1.00	324T	R612	Ball	ODP	F	None	RCC	26.8
50	1750	230/460	122.0/61.0	1.00	324T	R613	Ball	ODP	F	None	RCC	26.8
60	1750	230/460	146.0/73.0	1.00	326T	R615	Ball	ODP	F	None	RCC	28.3



# Century® Submersible Elevator Motors

## Single Phase and Three Phase – Horizontal – Open Oil Cooled Rigid Base – 3600 RPM – 3 thru 30 HP



### Features:

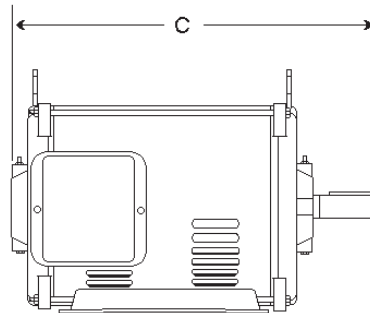
- 30 Min. Duty, 120 Starts Per Hour in 40°C Oil
- 80 Starts Per Hour in 80°C Oil, 30% Time On
- Wye-Delta Start on Three Phase Only
- 120°C Thermostat Tied to Winding with Leads Brought Out
- 60 Hz

### Single Phase • Permanent Split Capacitor

HP	RPM	Volts	Full Load Amps	Service Factor	Frame	Stock Number	Bearings	Base/ Mounting	Enclosure	Insul Class	Rotation	"C" Dim.
3	3450	208-230	20.0-16.4	1.00	182TY	<b>R265</b>	Ball	Rigid Base	ODP	F	CW	12.8
5	3450	208-230	23.4-21.0	1.00	182TY	<b>R267</b>	Ball	Rigid Base	ODP	F	CW	12.8
7 1/2	3450	208-230	32.6-30.0	1.00	182TY	<b>R275</b>	Ball	Rigid Base	ODP	F	CW	12.8
10	3470	208-230	43.0-40.0	1.00	182TY	<b>R278</b>	Ball	Rigid Base	ODP	F	CW	13.3

### Three Phase • Permanent Split Capacitor

5	3475	208	14.0	1.00	184TY	<b>R266</b>	Ball	Rigid Base	ODP	F	CW	12.8
5	3450	230/460	13.0/6.5	1.00	184TY	<b>R268</b>	Ball	Rigid Base	ODP	F	CW	12.8
7 1/2	3440	208	21.5	1.00	184TY	<b>R269</b>	Ball	Rigid Base	ODP	F	CW	12.8
7 1/2	3445	230/460	20.0/10.0	1.00	184TY	<b>R276</b>	Ball	Rigid Base	ODP	F	CW	12.8
10	3475	208	26.0	1.00	184TY	<b>R277</b>	Ball	Rigid Base	ODP	F	CW	12.8
10	3475	230/460	24.0/12.0	1.00	184TY	<b>R279</b>	Ball	Rigid Base	ODP	F	CW	12.8
15	3450	200	43.5	1.00	184TY	<b>R260</b>	Ball	Rigid Base	ODP	F	CW	14.6
15	3450	230/460	37.8/18.9	1.00	184TY	<b>R261</b>	Ball	Rigid Base	ODP	F	CW	14.6
20	3400	200	58.7	1.00	184TY	<b>R270</b>	Ball	Rigid Base	ODP	F	CW	13.6
20	3400	230/460	51.0/25.5	1.00	184TY	<b>R271</b>	Ball	Rigid Base	ODP	F	CW	13.6
25	3415	200	71.0	1.00	184TY	<b>R280</b>	Ball	Rigid Base	ODP	F	CW	13.3
25	3415	230/460	62.0/31.0	1.00	184TY	<b>R281</b>	Ball	Rigid Base	ODP	F	CW	13.3
25	3415	460	31.0	1.00	184TY	<b>R284</b>	Ball	Rigid Base	ODP	F	CW	13.3
30	3460	200	94.0	1.00	184TY	<b>R290V1</b>	Ball	Rigid Base	ODP	F	CW	17.6
30	3460	230/460	72.0/36.0	1.00	184TY	<b>R291V1</b>	Ball	Rigid Base	ODP	F	CW	17.6
30	3460	460	36.0	1.00	184TY	<b>R294V1</b>	Ball	Rigid Base	ODP	F	CW	17.6



# Century® Industrial Inverter-Duty Motors

## Three Phase – TENV & TEFC – Rigid Base – 1800 & 1200 RPM – 1/4 thru 5 HP

### Features:

- Ball Bearing
- Reversible
- TENV is suitable for constant torque operation from 6-60 Hz
- TEFC is suitable for constant torque operation from 15-60 Hz or variable torque from 10-60 Hz
- Meets NEMA MG-31 Inverter duty performance specifications
- 60 Hz
- Energy Efficient
- NEMA Design B



**Applications:** Especially designed for use with adjustable speed controls using IGBT technology.

## Century® E-Plus® Fractional HP Inverter-Duty

HP	RPM	Volts	Full Load Amps	Service Factor	Frame	Stock Number	Type	Enclosure	Insul Class	Rotation	"C" Dim.	Notes
1/4	1800	208-230/460	1.2-1.1/1.55	1.00	56C	<b>E183</b> ⚡	E+	TENV	B	RCC	9.54	
1/3	1725	208-230/460	1.2-1.2/1.6	1.00	56C	<b>E182</b> ⚡	E+	TENV	B	RCC	10.2	1
1/3	1725	208-230/460	1.2-1.2/1.6	1.00	56C	<b>E182L</b> ⚡	E+	TENV	B	RCC		New!
1/3	1140	208-230/460	1.8-1.6/1.8	1.00	56C	<b>E185</b> ⚡	E+	TENV	B	RCC	10.2	
1/2	1725	208-230/460	1.7-1.6/1.8	1.00	56C	<b>E181L</b> ⚡	E+	TENV	B	RCC	10.5	144, New!
1/2	1140	208-230/460	2.1-2.0/1.0	1.00	56C	<b>E186</b> ⚡	E+	TENV	B	RCC	11.0	
3/4	1725	208-230/460	2.3-2.2/1.1	1.00	56C	<b>E180</b> ⚡	E+	TENV	B	RCC	11.0	1
3/4	1725	208-230/460	2.3-2.2/1.1	1.00	56C	<b>E180L</b> ⚡	E+	TENV	B	RCC	11.2	New!
3/4	1140	208-230/460	3.1-3.1/1.55	1.00	56C	<b>E187</b> ⚡	E+	TEFC	B	RCC	12.2	

## Century® Industrial E-Plus® Integral HP Inverter-Duty

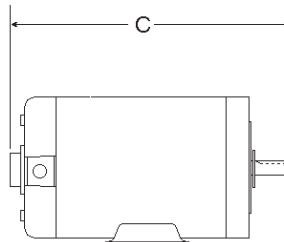
HP	RPM	Volts	Full Load Amps	Service Factor	Frame	Stock Number	Type	Enclosure	Insul Class	Rotation	"C" Dim.	Notes
<b>Standard Bracket</b>												
1	1730	230/460	2.8/1.4	1.15	143T	<b>T57026</b> ⚡	E+3(NP)	TEFC	F	13.2	85.5	11,361,363
2	1730	230/460	5.6/2.8	1.15	145T	<b>T57028</b> ⚡	E+3(NP)	TEFC	F	13.2	86.5	11,361,363
<b>NEMA "C" Bracket</b>												
5	1740	230/460	12.4/6.2	1.15	184TC	<b>E237</b> ⚡	E+	TEFC	B	16.3	87.5	1,144

### Notes:

- Item to be discontinued when stock is depleted
- C Flange kit available
- Service Factor 1.0 used on non-sinusoidal voltage wave forms
- 9 Leads
- Double shielded bearings with no regreasing provisions



Motors specially designed, tested and warranted to be **Corona-Free** for compatible inverter duty are marked on this page with a ⚡ See page 4 and 5 of this catalog for more Speed Engineered® motors information.



# Century® Industrial PMDC Washdown Motors

## PMDC Washdown Motor - 90 and 180 Volts - 1725 RPM - TEFC - 1/4 thru 1 HP Removable Rigid Base

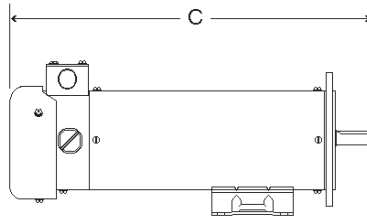
### Features:

- Double Sealed Ball Bearings
- USDA Approved Epoxy Primer and Paint
- Stainless Steel Shaft and Drain Plugs
- Treated Interior Surfaces
- Continuous Duty
- SCR Rated
- Skewed Armature for Smooth, Quiet Operation
- Shaft Seals
- Gasketed Construction
- 40°C Ambient
- UL/CSA/CE Approved



**Applications:** Designed for washdown applications in agriculture, marine, transportation and processing industries.

HP	RPM	Voltage (VDC)	Amps	Frame	Stock Number	Bearings	Base/ Mounting	Enclosure	Insul. Class	"C" Dim.
1/4	1725	90	3.0	56C	D203	Ball	Rigid Base	TEFC	H	10.7
1/3	1725	90	3.5	56C	D204	Ball	Rigid Base	TEFC	H	11.1
1/2	1725	90	5.4	56C	D205	Ball	Rigid Base	TEFC	F	12.9
1/2	1725	180	2.7	56C	D206	Ball	Rigid Base	TEFC	F	12.9
3/4	1725	90	8.0	56C	D207	Ball	Rigid Base	TEFC	F	14.5
3/4	1725	180	3.85	56C	D208	Ball	Rigid Base	TEFC	H	14.9
1	1725	90	10	56C	D209	Ball	Rigid Base	TEFC	H	16.9
1	1725	180	5.0	56C	D210	Ball	Rigid Base	TEFC	F	16.9



# Century® Industrial DC Elevator Door Motors

## Features:

- Class B or F Insulation
- 40°C Ambient
- Ball Bearings



HP	RPM	Voltage (VDC)	Arm. Amps	Frame	Stock Number	Base	Insulation Class	"C" Dim.	Enclosure	Notes
<b>Montgomery Elevator—DN Shunt Wound</b>										
1/4	1200	230	1.16	56	D003	Rigid	B	12.6	TENV	1
1/3	3500	115/230	2.75/1.09	56	D002	Rigid	B	11.2	Open D.P.	1
1/2	1140	230	2.25	56C	D004	Rigid	B	13.9	Open D.P.	1
<b>G.A.L. Door Opener—DN Shunt Wound</b>										
1/6	1150	230	.80	56	D005	Rigid	F	10.8	Open D.P.	1
<b>Moline/Montgomery Permanent Magnet</b>										
1/6	1140	24	7.5		D006	Rigid	F	8.5	TENV	
<b>Adams Elevator—Permanent Magnet</b>										
1/6	1140	230	.80		D007	Rigid	F	8.5	TENV	
<b>Schindler Elevator—Permanent Magnet</b>										
1/6	1150	170	1.7		D008	None	F	9.0	TENV	
<b>Guilbert Elevator—Permanent Magnet</b>										
1/12	300	95	1.6		D009	None	F	9.5	TENV	

### Notes:

1. Item to be discontinued when stock is depleted

# Century® Industrial DC Carpet Cleaning Motor

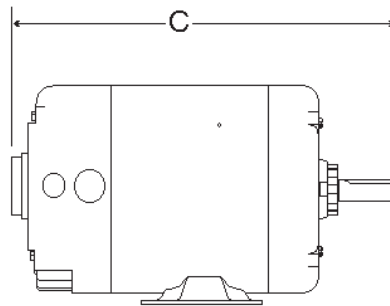
## Features:

- 40°C Ambient
- Reversible
- Special Duty
- Ball Bearings

HP	RPM	Voltage (VDC)	Amps	Stock Number	Base	Insulation Class	"C" Dim.	Enclosure	Notes
1/3	1800	90	3.0	D090	Adjustable	F	9.2	TEFC	1

### Notes:

1. Item to be discontinued when stock is depleted



# Century® V-Pak PMDC Adjustable Speed Packages

**Integral PMDC Motor with Plug-In & Run Speed Control – 115V or 230V  
Single Phase AC Input – Full Torque at 90:1 Speed Range – TEFC – C-Face  
Removable Base – Class H Insulation – 1725 RPM – 1/4 thru 1 HP**

## Features:

- 40°C Ambient
- Continuous Duty
- Skewed Armature for Smooth, Quiet Operation



D303

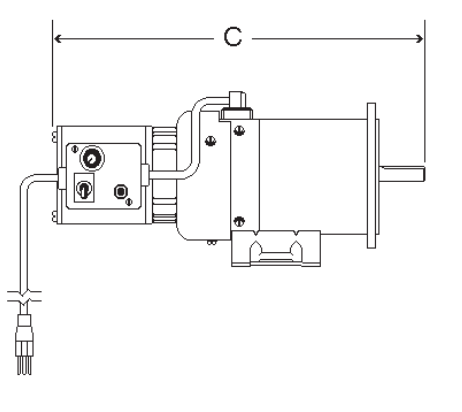
**Applications:** Blowers, Mixers, Conveyors, Fans, Packaging Equipment, Power Transmission, Pumps.

HP	RPM	Voltage	Amps	Frame	Stock Number	Bearings	Base/ Mounting	Enclosure	Insul. Class	Rotation*	"C" Dim.	Notes
1/3	1725	90	3.5	56C	D303	Ball	Removable Base	TEFC	H	Switched Rev	16.3	1
1/2	1725	90	5.5	56C	D306	Ball	Removable Base	TEFC	H	Wired CCW	18.1	1,170
3/4	1725	90	8.1	56C	D307	Ball	Removable Base	TEFC	H	Switched Rev	20.1	1
3/4	1725	90	8.1	56C	D308	Ball	Removable Base	TEFC	H	Wired CCW	20.1	1,170
1	1725	180	5.0	56C	D312	Ball	Removable Base	TEFC	H	Wired CCW	22.1	1,170

## Notes:

1. Item to be discontinued when stock is depleted
170. Motor may be rewired to run CW

\*Rotation viewed facing control end



# Century® Industrial Permanent Magnet Direct Current Motors

**For Rectified Power – Totally Enclosed Non-Ventilated & Totally Enclosed Fan-Cooled  
No Base & Rigid Base – 2500, 1750 & 1725 RPM**

**20:1 Speed Range at Constant Torque – 1/8 thru 3 HP**



D016

**Features:**

- 40°C Ambient
- SCR Rated
- Continuous Duty
- UL Class H Insulation File #E46316
- UL Recognized Construction File #55476
- Skewed armature for smooth quiet operation
- CE Approved
- CSA Certified File #LR39033

If bolt is removed, bolt holes must be plugged in order to maintain NEMA Totally-Enclosed standards.  
If base bolts are used without base, us a 1/4" thick washer to prevent interference with motor rotation.

HP	RPM	Voltage	Amps	Frame	Stock Number	Bearings	Base/ Mounting	Enclosure	Insul. Class	Rotation*	"C" Dim.	Notes
<b>90 Volt Armature • Permanent Magnet Field</b>												
1/8	1725	90	1.46	48C	D019	Ball	Removable Rigid	TENV	H	REV	8.6	
1/8	1725	90	1.46	56C	D027	Ball	No Base	TENV	H		9.0	
1/8	1725	90	1.46	56C	D036	Ball	Removable Rigid	TENV	F		9.0	
1/6	1725	90	1.70	42CZ	D014	Ball	No Base	TENV	H		8.8	168
1/6	1725	90	1.93	48C	D020	Ball	Removable Rigid	TEFC	F		9.3	
1/4	1725	90	2.77	42CZ	D016	Ball	No Base	TEFC	F		9.9	168
1/4	1725	90	2.77	48C	D021	Ball	Removable Rigid	TEFC	F		9.3	
1/4	1725	90	2.77	56C	D029	Ball	No Base	TEFC	F		10.7	
1/4	1725	90	2.77	56C	D038	Ball	Removable Rigid	TEFC	F		10.7	
1/4	1725	90	2.85	56C	D030	Ball	No Base	TENV	F		9.3	
1/4	1725	90	2.85	56C	D039	Ball	Removable Rigid	TENV	F		9.3	
1/3	1725	90	3.60	56C	D031	Ball	No Base	TENV	F		10.1	
1/3	1725	90	3.60	56C	D040	Ball	Removable Rigid	TENV	F		10.1	
1/2	2500	90	5.70	56C	D066	Ball	Removable Rigid	TENV	F	REV	10.1	
1/2	1725	90	5.35	56C	D032	Ball	No Base	TEFC	F		12.6	
1/2	1725	90	5.35	56C	D041	Ball	Removable Rigid	TEFC	F		12.6	
1/2	1725	90	5.50	56C	D033	Ball	No Base	TENV	H		13.1	
1/2	1725	90	5.50	56C	D042	Ball	Removable Rigid	TENV	F		13.1	
3/4	2500	90	8.10	56C	D059	Ball	Removable Rigid	TEFC	F		12.6	
3/4	1725	90	8.10	56C	D034	Ball	No Base	TEFC	F	REV	14.6	
3/4	1725	90	8.10	56C	D043	Ball	Removable Rigid	TEFC	F	REV	14.6	
1	2500	90	10.80	56C	D076	Ball	Removable Rigid	TEFC	F	REV	15.1	
1	1725	90	10.00	56C	D035	Ball	No Base	TEFC	F	REV	16.6	
1	1725	90	10.00	56C	D044	Ball	Removable Rigid	TEFC	F	REV	16.6	
<b>180 Volt Armature • Permanent Magnet Field</b>												
1/3	1725	180	1.78	56C	D092	Ball	No Base	TENV	F	REV	10.1	
1/2	2500	180	2.60	56C	D053	Ball	No Base	TENV	F	REV	10.1	
1/2	1725	180	2.60	56C	D052	Ball	No Base	TEFC	F		12.6	
1/2	1725	180	2.60	56C	D060	Ball	Removable Rigid	TEFC	F		12.6	
1/2	1725	180	2.80	56C	D068	Ball	No Base	TENV	H	REV	13.1	
3/4	1725	180	4.00	56C	D054	Ball	No Base	TEFC	F	REV	14.6	
3/4	1725	180	4.00	56C	D061	Ball	Removable Rigid	TEFC	F	REV	14.6	
1	2500	180	6.10	56C	D073	Ball	Removable Rigid	TEFC	F	REV	15.1	
1	1725	180	5.00	56C	D055	Ball	No Base	TEFC	F	REV	16.6	
1	1725	180	5.10	56C	D062	Ball	Removable Rigid	TEFC	H	REV	16.6	
1 1/2	2500	180	7.80	143TC	D074	Ball	Removable Rigid	TEFC	F	REV	16.4	
1 1/2	1750	180	7.00	143TC	D070	Ball	No Base	TEFC	F	REV	17.9	
1 1/2	1750	180	7.00	145TC	D080	Ball	Removable Rigid	TEFC	F	REV	10.1	
2	2500	180	11.20	143TC	D075	Ball	Removable Rigid	TEFC	F	REV	17.9	
2	1750	180	10.00	143TC	D071	Ball	No Base	TEFC	F	REV	18.9	
2	1750	180	10.00	145TC	D081	Ball	Removable Rigid	TEFC	F	REV	18.9	
2	1750	180	10.00	143TC	W200	Ball	Removable Rigid	TEFC	F	REV	18.9	297
3	1750	180	14.50	143TC	D072	Ball	No Base	TEFC	F		21.9	
3	1750	180	14.50	143TC	D082	Ball	Removable Rigid	TEFC	F	REV	21.9	
3	1750	180	14.50	184ACY	W201	Ball	Removable Rigid	TEFC	F		21.9	297
3	1750	180	14.50	184TC	W202	Ball	Removable Rigid	TEFC	F	REV	22.0	297

**Notes:**

168. NEMA 42/48 C-Face, 1/2" diameter keyed shaft, 1-5/16" long    297. 184T Base, 4.5" shaft height

## Century® Industrial DC T-Pak Motor Tachometer Packages 9505

**Integral PMDC Motor with On-Board 50V/1000 RPM Tachometer for Closed Loop Motor Speed Control Systems – TEFC – Removable Base – 1725 & 1750 RPM – UL Class F Insulation – Capable of 100:1 Speed Range – 1/4 thru 3 HP**

### Features:

- Ball Bearings
- 40°C Ambient
- “C” Bracket
- UL and CSA Approvable
- SCR Rated
- Skewed Armatures for Smooth, Quiet Operation



HP	RPM	Current Armature	Current Field	Volts	Full Load Amps	Frame	Stock Number	Base/ Mounting	Enclosure	Insul. Class	“C” Dim.	Notes
<b>90 Volt Armature • Permanent Magnet Field</b>												
1/4	1725			90	3.0	56C	D750	Removable Base	TEFC	F	12.7	1
1/3	1725			90	2.8	56C	D751	Removable Base	TEFC	F	13.1	1
1/2	1725			90	5.4	56C	D752	Removable Base	TEFC	F	14.9	1
3/4	1725			90	8.1	56C	D753	Removable Base	TEFC	F	16.9	1
<b>180 Volt Armature • Permanent Magnet Field</b>												
1	1725			180	5.4	56C	D757	Removable Base	TEFC	F	18.9	1
2	1750			180	10.0	143TC	D759	Removable Base	TEFC	F	19.9	1
3	1750			180	14.5	143TC	D760	Removable Base	TEFC	F	22.9	1

## Century® Industrial Direct Current Motors

**For Rectified Power – Dripproof & Enclosed – Rigid Base – 3500 & 1750 RPM 20:1 Speed Range at Constant Torque – 1/4 thru 5 HP**

### Features:

- Ball Bearings
- 40°C Ambient
- Removable feet
- CSA Approved
- Type DN Shunt Wound
- NEMA “C” Bracket
- SCR Rated



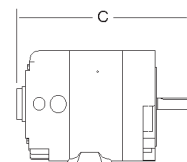
**Applications:** For use with SCR, controllers on conveyors, machine tools, printing presses, and other industrial speed applications.

HP	RPM	Current Armature	Current Field	Volts	Full Load Amps	Frame	Stock Number	Base/ Mounting	Enclosure	Insul. Class	“C” Dim.	Notes
<b>90 Volt Armature • 100/50 Volt Field</b>												
1/4	1750	2.69	.32/.64	100/50	2.69	56C	D904	Rigid Base	TENV	F	10.8	1
1/3	1750	3.43	.42/.84	100/50	3.43	56C	D906	Rigid Base	TENV	F	11.7	1
1/2	3500	5.10	.24/.48	100/50	5.1	56C	D552	Rigid Base	TENV	F	11.7	1
1/2	1750	4.95	.36/.72	100/50	4.95	56C	D908	Rigid Base	TENV	F	12.6	1
3/4	1750	7.40	.70/1.40	100/50	7.4	56C	D909	Rigid Base	ODP	F	12.6	1
3/4	1750	7.35	.73/1.46	100/50	7.35	56C	D910	Rigid Base	TEFC	F	14.9	1
1	1750	9.68	1.0/2.0	100/50	9.68	56C	D912	Rigid Base	TEFC	F	15.7	1
<b>180 Volt Armature • 200/100 Volt Field</b>												
1/2	1750	2.45	.18/.36	200/100	2.45	56C	D708	Rigid Base	TENV	F	12.6	1
3/4	1750	3.73	.36/.72	200/100	3.73	56C	D710	Rigid Base	TEFC	F	14.8	1
1	1750	4.85	.36/.72	200/100	4.85	56C	D711	Rigid Base	ODP	F	14.4	1
1	1750	4.89	.38/.76	200/100	4.89	56C	D712	Rigid Base	TEFC	F	15.7	1
1 1/2	1750	7.45	.36/.72	200/100	7.45	184AC	W245	Rigid Base	ODP	F	15.2	1
1 1/2	1750	7.25	.61/1.22	200/100	7.25	187AC	W244	Rigid Base	TENV	F	17.2	1
2	1750	9.90	.50/1.00	200/100	9.9	185AC	W261	Rigid Base	ODP	F	15.9	1
2	1750	9.50	.75/1.50	200/100	9.5	189AC	W260	Rigid Base	TENV	F	20.2	1
5	1750	24.50	.85/1.70	200/100	24.5	189AC	W281	Rigid Base	ODP	F	20.2	1

### Notes:

1. Item to be discontinued when stock is depleted

*If base is removed, bolt holes must be plugged in order to maintain NEMA Totally-Enclosed standards.  
If base bolts are used without base, use a 1/4” thick washer to prevent interference with motor rotation.*





# MSC 700™ DC Motor Adjustable Speed Controls

## Introducing the industry's most innovative DC motor speed controls. MSC 700 controls from Century®.

The fact is, no other speed control even comes close. Because no other control offers as much convenience, as much quality or as much affordability.

### Convenience and control all in one compact unit.

Whatever your application, count on our MSC 700 units for all the control you need.

The way they work is simple. They statically convert single phase AC power to regulated DC. So you get adjustable, reliable speed control for either permanent magnet or wound field DC motors.

Our controls have adjustable trim pots for easy access to a wide range of horsepower settings. You won't have to stock an assortment of shunt resistors to accommodate various horsepower needs. You can operate our enclosed, dual-voltage models on either 115V or 230V AC.

There's more. You can choose from chassis and enclosed models, with single or dual voltage operation. And for added versatility, there's more than a dozen optional accessories.

### Century means quality you can count on.

But perhaps the best feature in our control line is the name that's behind it. Century. Simply put, our more than 90 years of experience makes us a world leader in motors and motor accessories. And, we put coast-to-coast service behind everything we sell with expert assistance, availability and delivery from a network of Authorized Service Centers throughout the U.S. So whether you're producing original equipment or simply replacing an existing drive, we've got the perfect pick. MSC 700 speed controls, only from Century.

### Features

- Inexpensive, compact speed control for PMDC and wound field DC motors (up to 3 HP).
- Three chassis and five enclosed models, single and dual-voltage units available (115V or 115/230V).
- No plug-in shunts needed for HP calibration.
- Automatic AC input voltage selection-without jumpers or switches on dual voltage chassis models.
- Inhibit feature for automatic operation by switch, relay, or programmable control.
- 5K Ohm speed potentiometer included with all controls.
- All chassis units feature quick-connect terminals.
- Interchangeable with many competitive units.
- Wide array of options for optimum design versatility.
- NEMA Code K, full-wave power conversion.

### Typical Applications

- Packing equipment
- Exercise equipment
- Conveyors
- Material handling
- Printing and screening machinery
- Food processing equipment
- Pumps and fans
- Textile machinery
- Metal-forming equipment
- Agricultural equipment
- Machine tools
- Feeders
- Positioners
- Door openers



### Operating Conditions

Line Voltage	115 VAC <10% 115/230 VAC <10%
Line Frequency	50/60 Hz <2 Hz
Ambient Temp. Range	0°C to 40° C
Altitude	3300 feet maximum
Service Factor	1.0
Duty	Continuous
Environment	Industrial/Commercial

### Performance Characteristics

Overload capacity	150% for 1 minute
Speed Range	50:1 armature feedback (Controlled) 100:1 with tachometer feedback
Speed Regulation	1% of base speed (typical)
Minimum speed trimpot	0 to 40% of full speed (0 to 30% on W706 & W770)
Maximum speed trimpot	60 to 100% of full speed (50 to 110% on W706 & W770)
Current/Torque Limit (% of full load)	0 to 150% on W755, W756, W760, W761 50 TO 150% on W706 0 to 200% on W770 1 to 125% only @ 1.5 HP (115)/3HP; (230V) on W715
Acceleration/ Deceleration Time	0.8 to 10 seconds (0.5 to 4 on W706, 0.2 to 10 seconds on W770*)
IR Compensation	0 to 100 % (of rated load)

\*Acceleration/Deceleration times are independent on W770

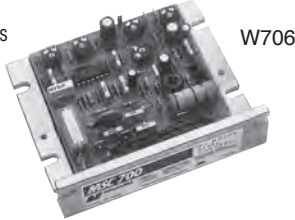
# MSC 700™ DC Motor Adjustable Speed Controls & Options

## Chassis Units/Specifications

Dual Voltage and Tachometer or Armature Feedback

### 115V, 1 HP (W706)

- 1/4 -1/2 HP output, 115 VAC input • 3/4-1 HP output, 115 VAC with optional heat sinks (W727, W728 or W729)
- 50:1 speed range
- MAX, MIN, IR, CL and ACCEL trim pots
- 1 % speed regulation (typical)
- Armature feedback circuitry
- MOV for transient protection
- UL-(E143780) and CSA- listed
- Approx. 3.64" x 4.30" x 1.25"



### 115/230V, 1-2 HP (W713)

- 1/8-1/2 HP output, 115 VAC input
- 1 HP maximum output with optional heat sink (W727, W728 or W729), 115 VAC input
- 1/2-1 HP output, 230 VAC input
- 2 HP maximum output with optional heat sink (W727, W728 or W729), 230 VAC input
- 50:1 speed range
- MAX, MIN, IR, CL and ACCEL trim pots
- 1% speed regulation (typical)
- MOV and RC filter for transient protection
- UL (E51028) and CSA listed
- Approx. 3.57" x 4.25" x 1.33"



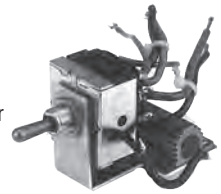
### Heat Sink Kit (W729) for W706, W713 & W770 only

- Base mounting
- Expands W706 and W710 to 1 HP maximum (115VAC) or the W710 to 2 HP (230VAC)
- Expands W770 to 1 HP maximum (115VAC) or 2 HP (230VAC)
- Four keyhole slots facilitate mounting
- Additional holes for mounting fuse clips and terminal strips
- Kit includes six .50" long, #10-32 screws
- Approx: 7.00" x 6.25" x 1.38"



### Forward/Brake/Reverse\* Switch Kit (W730) for W706, W713 & W770

- Completely pre-wired switch and 10 Ohm, 50W braking resistor
- Additional contacts for inhibit and dynamic braking
- Four-pole hesitation switch prevents operation of actuator through brake position until pressure is momentarily relieved
- Kit includes wire nuts and switch mounting hardware
- \* Complete stop required before changing rotation direction



## Enclosed Units/Specifications

Dual Voltage and Tachometer Feedback

- 115/230 VAC input, up to 1/2 HP output (115V) or 1 HP (230V)
- 115/230 VAC input, up to 1 HP output (115V) or 2 HP (230V)
- 1% speed regulation
- Internal MAX, MIN, IR, CL and ACCEL/DECEL trim pots
- Tachometer feedback input circuitry
- Terminal strip for field wiring
- Integral AC line fuses (fuses not supplied)
- MOV and RC filter for transient protection
- Speed potentiometer and on/off switch mounted

### Run/Stop (Reversing\* Optional) W770 (NEMA 1)

- 115/230 VAC input, 1/2 HP output (115V) or 1-1/2 HP (230V)
- 1 HP (115V) or 2 HP (230V) with optional heat sink (W729)
- 50:1 speed range • Optional Forward/Brake/Reverse\* switch kit (W730), also includes braking resistor
- Internal MAX, MIN, IR, CL and ACCEL trim pots
- Tachometer feedback for 7 or 50VDC per 1000 RPM
- Internal dual voltage switch
- AC Power On indicator
- Two 7/8" diameter conduit holes
- UL-(E143780-) and CSA-listed
- Approx: 7.125" x 5.09" x 4.0



\*Complete stop required before changing rotation direction.

W770

### Speed Potentiometer Kit (W731)

(NOT PICTURED)

- 5K Ohm speed potentiometer
- Kit includes mounting hardware and front panel insulator

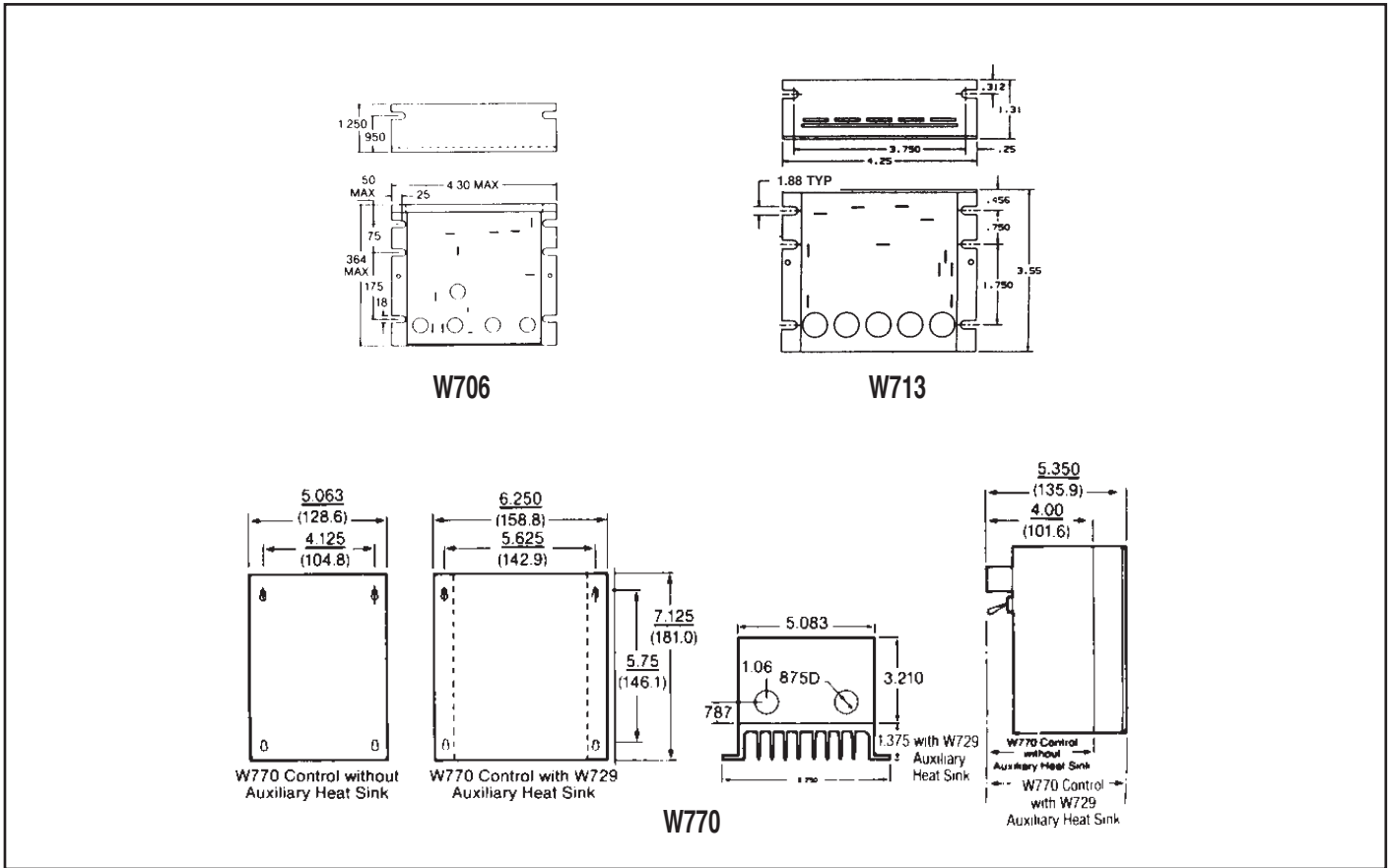
## MSC 700 Series List Prices

Type	Stock Number	AC Voltage	HP Range	Max. HP w/ Optional Heat Sink	List Price (U.S. \$)
Chassis	W706	115	1/4-1/2	3/4-1	\$ 178.00
Chassis	W713	115	1/8-1/2	1	201.00
		230	1/2-1	2	
NEMA 1	W770	115	1/2-3/4	1	398.00
		230	1 - 1-1/2	2	

## MSC 700 Series Options

Stock Number	Description
W729	Heat Sink Kit for W706, W713 & W770
W730	Forward/Brk./Rev. Switch Kit
W731	Speed Potentiometer Kit
W732	Knob and Dial Plate Kit

## Dimensions



MCS700 Stock Numbers		AC Input line Amps, Single Phase, 50/60 Hz					DC Output Amps @ Full Load					
		Chassis		Enclosed			Permanent Magnet And Wound Field Motors Armature Amps		Shunt Wound Motors Field Amps		Armature Fuse (AC Amp Ratings)	
		W706	W713	W770								
Rated HP	Load Torque (in.lbs.)	115 VAC	115 VAC	230 VAC	115 VAC	230 VAC	90 VDC	180 VDC	100 VDC	200 VDC	90 VDC Motors	1 VDC Motors
1/8	4.5		2.2				1.6		1.0		2.5	
1/6	6		2.9				2.0		1.0		3	
1/4	9	4.1	4.1				2.9		1.0		4	
1/3	12	5.2	5.2				3.5		1.0		5	
1/2	18	7.5	7.5	3.8	7.5		5.5	2.8	1.0	1.0	8	4
3/4	27	11.8+	11.8+	5.9	11.8		8.0	4.0	1.0	1.0	12	5
1	36	14.9+	14.9+	7.5	14.9+	7.5	10.0	5.5	1.0	1.0	15	8
1-1/2	54			12.0+		12.0	15.0	8.0	1.0	1.0	20	12

**Notes:**

+Optional heat sink required.

Use Buss ABC, Littelfuse 326 or equivalent.

Amps shown are typical for Century permanent magnet and wound field DC Motors and equivalent SCR-rated DC motors.

# Start/Run Capacitors



These Motor Start Capacitors are Dry Electrolytic Nonpolarized Types for Intermittent Duty in AC motor starting circuits. Their round cases are of moisture and oil resistant molded Phenolic Resin or Plastic.

## Features:

- Engineered Terminal Construction
- Standard Dual Blade Terminals

### 110-125 VOLT AC 50/60 HZ

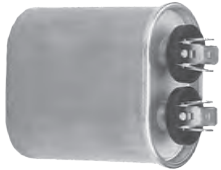
Stock No.	MFD	Case Size (dia x h)
PMJ108	108-130	1-7/16" x 2-3/4"
PMJ124	124-149	1-7/16" x 2-3/4"
PMJ130	130-156	1-7/16" x 2-3/4"
PMJ145	145-175	1-7/16" x 2-3/4"
PMJ161	161-193	1-7/16" x 2-3/4"
PMJ189	189-227	1-7/16" x 2-3/4"
PMJ216	216-259	1-7/16" x 3-3/8"
PMJ243	243-292	1-7/16" x 3-3/8"
PMJ270	270-324	1-7/16" x 3-3/8"
PMJ324	324-388	1-13/16" x 3-3/8"
PMJ340	340-408	1-13/16" x 3-3/8"
PMJ378	378-455	1-13/16" x 3-3/8"
PMJ400	400-480	1-13/16" x 3-3/8"
PMJ460	460-552	1-13/16" x 3-3/8"
PMJ540	540-648	1-13/16" x 4-3/8"
PMJ590	590-708	1-13/16" x 4-3/8"
PMJ708	708-850	2-1/16" x 4-3/8"
PMJ829	829-995	2-1/16" x 4-3/8"
PMJ1000	1000-1200	2-1/16" x 4-3/8"

### 220-250 VOLT AC 50/60 HZ

Stock No.	MFD	Case Size (dia x h)
PTMJ21	21-25	1-7/16" x 2-3/4"
PTMJ30	30-36	1-7/16" x 2-3/4"
PTMJ53	53-64	1-7/16" x 2-3/4"
PTMJ72	72-88	1-13/16" x 3-3/8"
PTMJ88	88-108	1-13/16" x 3-3/8"
PTMJ108	108-130	1-13/16" x 4-3/8"
PTMJ124	124-149	1-13/16" x 4-3/8"
PTMJ130	130-158	1-13/16" x 4-3/8"
PTMJ145	145-174	2-1/16" x 3-3/8"
PTMJ161	161-193	1-13/16" x 4-3/8"
PTMJ189	189-227	2-1/16" x 4-3/8"
PTMJ216	216-259	2-1/16" x 4-3/8"
PTMJ233	233-280	2-1/16" x 4-3/8"
PTMJ270	270-324	2-1/16" x 4-3/8"

### 330 VOLT AC 50/60 HZ

Stock No.	MFD	Case Size (dia x h)
PRMJ30	30-36	1-13/16" x 3-3/8"
PRMJ53	53-64	1-13/16" x 3-3/8"
PRMJ88	88-108	2-1/16" x 3-3/8"
PRMJ124	124-149	2-1/16" x 4-3/8"
PRMJ130	130-158	2-1/16" x 4-3/8"
PRMJ145	145-174	2-1/16" x 4-3/8"
PRMJ189	189-227	2-9/16" x 4-3/8"
PRMJ216	216-259	2-9/16" x 4-3/8"



## Features:

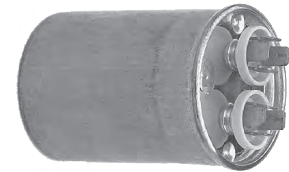
- UL Listed/CSA Approved
- Individually Boxed
- Metal Cases
- Metallized Film
- Oil Filled
- (Biodegradable)
- Non-PCB Oil
- Four Blade Quick Connect Terminals
- Insulated Terminals

### 370 VOLT 50/60 HZ SINGLE SECTION OVAL CASE

Stock No.	MFD	Case Size (w x h)
POC2	2	2.16" x 2.062"
POC3	3	2.16" x 2.062"
POC4	4	2.16" x 2.062"
POC5	5	2.16" x 2.062"
POC6	6	2.16" x 2.812"
POC75	7.5	2.16" x 2.812"
POC10	10	2.16" x 2.812"
POC125	12.5	2.16" x 3.60"
POC15	15	2.16" x 3.60"
POC175	17.5	2.16" x 4.40"
POC20	20	2.90" x 4.40"
POC25	25	2.90" x 3.60"
POC30	30	2.90" x 3.60"
POC35	35	2.90" x 4.40"
POC40	40	2.90" x 4.40"
POC45	45	2.90" x 4.40"
POC50	50	2.90" x 4.40"

### 440 VOLT 50/60 HZ SINGLE SECTION OVAL CASE

Stock No.	MFD	Case Size (w x h)
POCF3	3	2.16" x 2.062"
POCF4	4	2.16" x 2.062"
POCF5	5	2.16" x 2.812"
POCF75	7.5	2.16" x 2.812"
POCF10	10	2.16" x 4.40"
POCF15	15	2.90" x 4.40"
POCF25	25	2.90" x 4.40"
POCF30	30	2.90" x 4.40"
POCF35	35	2.90" x 4.40"
POCF40	40	2.90" x 4.40"
POCF45	45	2.90" x 4.40"
POCF50	50	2.90" x 5.40"
POCF55	55	2.90" x 5.40"



### 370 VOLT 50/60 HZ SINGLE SECTION ROUND CASE

Stock No.	MFD	Case Size (dia. x h)
PRC15	15	1.75" x 2.81"
PRC175	17.5	1.75" x 3.60"
PRC20	20	1.75" x 3.60"
PRC25	25	1.75" x 3.60"
PRC30	30	2.00" x 4.75"
PRC35	35	2.00" x 4.40"
PRC40	40	2.00" x 4.40"
PRC45	45	2.00" x 4.40"
PRC50	50	2.00" x 4.40"

HEIGHT DIMENSION INCLUDES TERMINALS

**Plastic Fan Blades Used with C-Frame Motors**



Stock No.	Diameter	Hub I.D.	Shaft Size	Blades	Rotation*	Fan Type
626137	4.00"	Round	.187" or 3/16"	5	CW	C
700027	4.19"	Round	.181"	5	CW	C
700047	5.50"	Round	.187" or 3/16"	4	CCW	B
700048	5.50"	Round	.218" or 7/32"	4	CCW	B
700046	5.56"	Round	.187" or 3/16"	5	CCW	C
700049	5.56"	Round	.218" or 7/32"	5	CCW	C
1010784-001	4.62"	"D" Shaped	.181"	Impeller	CW/CCW	A

\* Rotation determined by viewing air discharge side of fan blade.

**Unit Bearing Fan Blades**



2 & 4 Watt



4 Watt



6 & 9 Watt



9 & 16 Watt

Stock No.	Dia.	Pitch	CW Motor Airflow
2211	7"	20°	Suction
2212	7"	20°	Pusher
2217	8"	20°	Suction
2218	8"	20°	Pusher

Stock No.	Dia.	Pitch	CW Motor Airflow
2256	7 3/4"	32°	Suction

Stock No.	Dia.	Pitch	CW Motor Airflow
2235	8 3/4"	20°	Suction

Stock No.	Dia.	Pitch	CW Motor Airflow
2267	10"	22°	Suction
2268	10"	29°	Pusher

NOTE: Rotation determined by viewing air discharge side of fan. Fan should be guarded before operating. Tighten set screws securely before operating. Pusher = air over motor and through fan. Suction = air through fan and over motor.

**Unit Bearing Rubber Cushion**

Stock No.1254A  
12 Per Pack



**Unit Bearing Speed Nut**

Stock No.1264A  
6 Per Pack



Item to be discontinued when stock is depleted.

**Threaded Shaft Adapter**

Stock No.1488A

Adapts 1/4" x 20 threaded shaft to 1/4" round shaft

2 Per Pack



**Unit Bearing Mounting Brackets**

Stock No.	Height To Motor Shaft	Bracket Height
2271	4 1/8"	2 1/32"
2272	4 9/16"	2 4/64"
2273	5 3/8"	3 29/64"
2274	6 1/4"	4 5/16"



**90 Degree Refrigeration Plug**

Stock No.2117

Converts a straight plug to fit applications with a right-angle connection.



## Parts & Accessories



1330A, 1383A,  
2097A



1411A, 1412A

### Motor Rain Shields

Stock No.	1330A Plastic 1/2" bore	6 3/4" dia	48 FRM
Stock No.	1383A Plastic 5/8" bore	6 3/4" dia	48 FRM
Stock No.	1411A Dished Plastic 1/2" bore	7" dia	48 FRM
Stock No.	1412A Dished Plastic 5/8" bore	7" dia	48 FRM
Stock No.	2097A Plastic 1/2" bore	6" dia	42 FRM

Provides rain protection for vertically mounted motors

### Joggle Bolt Mounting Kit

Stock No. 1414A

Provides adjustable casebolt mounting patterns to fit RMR-Fedders (5 5/8" diameter motors only) and others.



### 8-32 and 10-32 Case Stud Kit —7" Length

Stock No.	1639A	8-32
Stock No.	1640A	10-32

### Nuts & Washers —16/Set

Stock No.	1618A	8-32
Stock No.	1619A	10-32

### Rheem Butt Plate Kit

Stock No. 2098A



Used in place of mounting cables in RHEEM condensers  
Kit includes mounting hardware and assembly instructions.



### Mounting Studs

Stock No.	Ext.	Ext.	Description
2064A	8-32	3/4"	Collar Studs for 3 3/8" Dia. Motors
2087A	10-32	1"	Collar Studs for 5" Dia. Motors

#### Caution:

Threading longest end into motor can create electrical shock or fire hazards, and shorten motor life.



### Rubber Vibration Insulating Mount

Type used on Coleman furnaces. See Stock No. 98 & 346

Stock No.	Size	Thread Length
1236A	5/8" Dia., 1/2" Long	8-32 x 1/2"

6 Per Pack

## Rubber Cover



Stock No. 1365A

## Cap Bracket Assembly



Stock No. 1230A

## Capacitor Bracket & Cover



Stock No. 1482A  
Bracket Dim.: 2-1/8" x 1-1/4"  
Cover Dim.: 1-5/8"

## Bracket For Use With The 3 3/8" Diameter Motors

Stock No. 1177A

Complete with washers and grommets

## Rubber Grommets

Stock No. 1204A



## Adapter Plate For 3 3/8" Motors

Stock No. 1295A

Mounts to case bolts to provide HEX catchers for base mounting



## Shaft Extension Assembly

Coupling comes complete with set screws. Use anywhere an extension is desired.



Stock No.	Size	Length
1308A	1/4"	4 1/2"
1310A	5/16"	4 1/2"
1475A	1/2"	4 1/2"

## Cork Mounting Gasket

Stock No. 1183A

For use with all 3 3/8" diameter motors to close-couple motor to blower housing.



## Steel Shaft Adapter Bushings

Zinc Finish



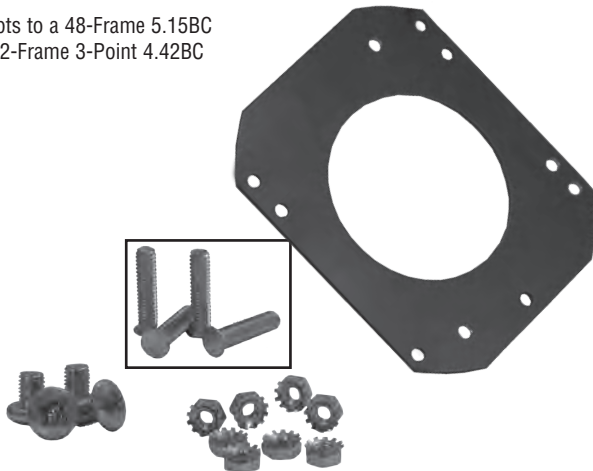
Stock No.	I.D.	O.D.	Length	Pkg.
1231A	1/4"	5/16"	1"	5/PKG
1300A	1/4"	3/8"	1 1/16"	5/PKG
1302A	5/16"	3/8"	1 1/16"	5/PKG
1304A	5/16"	1/2"	1 1/16"	5/PKG
1305A	3/8"	7/16"	1 1/16"	5/PKG
1306A	3/8"	1/2"	1 1/16"	5/PKG
1487A	1/2"	5/8"	1 1/16"	5/PKG
1307A*	1/2"	5/8"	1 1/2"	5/PKG
1483A	5/8"	3/4"	1 1/4"	5/PKG

\*Split bushing with 3/16" key furnished.

## MultiFit® Adapter Plate

Stock No. 2118

Adapts to a 48-Frame 5.15BC  
Or 42-Frame 3-Point 4.42BC



## MasterFit® Pro Capacitor Bracket

Stock No. 2116

Diameter (in) 1 3/4"

For use with round all purpose capacitor.

5 per package

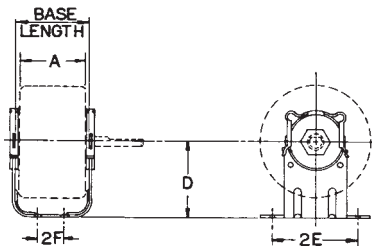


# Parts & Accessories

## Base for 4 5/16", 5", 5 5/8" Diameter Motors

Refer to Stock Numbers 1181A and 1182A.  
For mounting rings and mounting clips.

Requires 2 1/2" dia. ring.



For use on Universal Electric® brand motors.

Base HT. "D"	"A" Lengths 5 5/8" & 5" DIA	"A" Lengths 4 5/16" DIA.	Base Stock No.	"2E"	"2F"	Base Length
2 11/16"	3 1/2"	3 1/4"	1205	3 7/8"	1 1/16"	3.937"
2 11/16"	3 3/4"	3 1/2"	1206	3 7/8"	1 1/16"	4.187"
2 11/16"	4 1/4"	4"	1207	3 7/8"	1 1/16"	4.687"
2 11/16"	5"	4 3/4"	2090	3 7/8"	1 1/16"	5.437"
3"	3 1/4"	3"	1342	3 5/16"	1 1/16"	3.667"
3"	3 1/2"	3 1/4"	2061*	3 5/16"	1 1/16"	3.917"
3"	3 3/4"	3 1/2"	1211	3 5/16"	1 1/16"	4.167"
3"	4"	3 3/4"	1422	4 1/4"	2 3/4"	4.417"
3"	4 1/4"	4"	1212	3 5/16"	1 1/16"	4.667"
3"	4 1/2"	4 1/4"	1226	3 5/16"	1 1/16"	4.917"
3"	4 3/4"	4 1/2"	1292	3 5/16"	1 1/16"	5.167"
3"	5 1/4"	5"	1293	3 5/16"	1 1/16"	5.667"
3"	5 1/4"	5"	1340	4 1/4"	2 3/4"	5.667"
3 1/2"	3 1/4"	3"	1343	3 5/16"	1 1/16"	3.667"
3 1/2"	3 1/2"	3 1/4"	2062*	3 5/16"	1 1/16"	3.917"
3 1/2"	3 3/4"	3 1/2"	1209	3 5/16"	1 1/16"	4.167"
3 1/2"	4"	3 3/4"	2044	4 1/4"	2 3/4"	4.417"
3 1/2"	4 1/4"	4"	2063*	3 5/16"	1 1/16"	4.667"
3 1/2"	4 1/2"	4 1/4"	1229	3 5/16"	1 1/16"	4.917"
3 1/2"	4 3/4"	4 1/2"	1347	3 5/16"	1 1/16"	5.167"
3 1/2"	5 1/4"	5"	1419	4 1/4"	2 3/4"	5.667"

\* Has Extra Mounting Slot for TRANE 3 Point Mount.

## Clamps

For Ring O.D.      Part #  
2.25"                      613156-003

1 Per Pack



For Ring O.D.      Kit #  
2.50"                      \*619432-169 (2 clamps)

2 Per Pack      \*Item to be discontinued when stock is depleted.

## Mounting Clip

Stock No. 1181A

Use with Stock Numbers 1182A & 1220A

2 Per Pack



## Two Piece Mounting Clip

Stock No. 1180A

Use with Stock Numbers 1182A & 1220A

2 Per Pack



## Rubber Mounting Ring With Steel Band



Stock No.	Hub Ring Diameter	Motor Diameters
1220A	2 1/4"	4 5/16"-5"-5 5/8"
1182A	2 1/2"	4 5/16"-5"-5 5/8"
1255A	1 3/4"	3 3/8"

2 Per Pack

## Rubber Mounting Ring

Stock Numbers 1219A, 1263A, 1387A

For round hubs — **Stock No. 1387A** - 2" O.D. for 4 5/16" diameter motors

**Stock No. 1219A** - 2 1/2" O.D. For 4 5/16"- 5"-5 5/8" diameter motors

**Stock No. \*1263A** - 2 1/4" O.D. For 3 3/8" diameter motors

\*Item to be discontinued when stock is depleted.

2 Per Pack



## Adapter Ring

Stock No. 1221A

2 required per mounting ring to adjust from 2 1/4" to 2 1/2"

Use to convert Stock No. 1220A mounting ring to larger diameter.

2 Per Pack





**Field Attachable Conduit Box**

Stock No.	Box Size	Motor Frame
1216A	8 cu. in.	H (5 5/8" Dia.)
1217A	3.5 cu. in.	C (4 5/8" Dia.)
1256A	3.5 cu. in.	J (3 3/8" Dia.)
1257A	8 cu. in.	D (5" Dia.)
1296A	3.5 cu. in.	D (5" Dia.)

For motors with conduit connector holes only!



Universal design motors only.

**Explosion Proof Conduit Box**

Part No.626000-001

Kit includes:

Conduit box with two (2) threaded, conduit holes, 3/4"-14 NPT, conduit cover and four (4) screws and washers. Box dimensions are 4.38" diameter and 2.75" depth. Box rated for Design 81A, Class I Grp D, Class II Grp E, F, G.



**3/8" Conduit Connector**

Stock No. 1322A

Allen Stevens No.158 (curved base)  
Complete with mounting screws and stop plate.  
3 Per Pack



**Resilient Rings**

Ring TYPE	O.D.	I.D.	KIT # (2 Per)	Notes
C	2.50"	1.55"	619432-105*	
				*Trane/GE and others
D	2.25"	1.57"	619432-111	
E	2.50"	1.57"	619432-112	
F	2.50"	1.57"	619432-113	
				2 Per Pack



**Conduit Fitting**

Stock No.1202A

For 4 5/16 diameter motors  
1 Per Pack



**Speed Controls**

Stock No.	Max Amps	Volts	Mounting	Size
1233A	5	120	Wall	4 1/4" x 2"
1234A*	4	120	Panel	
1407A*	5	240	Wall	4 1/4" x 2"
1408A	10	120	Wall	4 1/2" x 4 1/2"

- Solid State, Infinitely variable adjustment for single speed fan and blowers, kitchen appliances, etc. UL Listed and CSA Approved.
- Use only with shaded pole and PSC motors.

\* Not CSA approved.

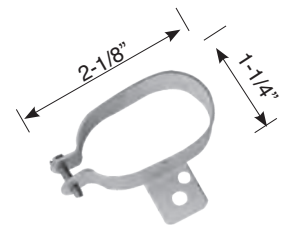


**Capacitor Cap**



260B913H01

**Capacitor Clamp**



616672

1 Per Pack

# Parts & Accessories

## Adapt-A-Lug Kits (Patent No. 3,903,443)

Stock No. 1327A 1/4" Slot

Stock No. 1328A 3/4" Slot

Save installation time. Fits directly to the case on **Adapt-A-Lug®** models. Both kits provide for bolt circles from 6 7/8" - 8 1/8".



## Lug Mounting Bracket

Stock No.	Motor Dia.	Min. B. C. D.	Max. B. C. D.	Lug Size
1379A	3 3/8"	4 5/8"	5 7/8"	Small - 1 3/4"
1380A	3 3/8"	5 7/8"	9 7/8"	Large - 4"
1377A	4 1/4"	5 1/2"	6 3/4"	Small - 1 3/4"
1378A	4 1/4"	6 3/4"	10 3/4"	Large - 4"
1320A	5"	6 5/16"	7 9/16"	Small - 1 3/4"
1366A	5"	7 9/16"	11 1/16"	Large - 4"
1223A	5 5/8"	6 7/8"	8 1/8"	Small - 1 3/4"
1364A	5 5/8"	8 1/8"	12 1/8"	Large - 4"
2094A*	5 5/8"	6 3/8"	8 1/4"	Small - 1 3/4"

Kits For 3 3/8" Thru 5 5/8" Diameter Motors • Many Other Uses

\*Has special Carrier .406 Dia. hole on 7" B.C.D. motors.

B.C.D.=Bolt Circle Diameter.



## 3-Ring Blower Mounting Kit

Stock No.	Motor Dia. (Approx.)	Bolt Circle
1386	5"	9"
1479	5 5/8"	10"
1495	5 5/8"	11"

Kits come complete with mounting rubbers and screws. For use on large direct drive furnace blowers.



## Length Adapter Kit

Stock No. 1329A

For 5 5/8" diameter motors

For Length Adapter Bracket only, use Stock No. 1218A.



## Mounting Rubbers

Stock No. 1381A

Stock No. 1376A

For Large 3/4" Slot  
Screws Included  
3/Pkg.

For Small 1/2" Slot  
6/Pkg.



## Lug Mounting Bracket

Stock No. 1410A

Two mounting slots accepts either a 1/4" or 3/4" mounting bolt. Circle mounting diameter ranges from 6 3/8" to 7 5/8"

For 5 5/8" Motor diameter  
3/4" hole for large mounting rubber.  
1/4" slot for direct mounting screw



## Length Adapter for 5 5/8" Diameter Motors

Stock No. 1218A



Base kits, capacitors, lug kits, length adapters, and other accessories may be used to modify and convert standard products for special applications. Designed for quick installation, these accessories allow increased flexibility with minimum stock.

## 48 TO 56 FRAME ADAPTER

Adapter converts 5-1/2" diameter Century Fan Motors to 6-1/2" diameter. The adapter can be easily mounted on standard, off-the-shelf Century 48 Frame (5-1/2") Fan and Blower Motors. The motor, with adapter mounted, can be used to replace most old standard and special 56 Frame (6-1/2") Fan Motors, Engineered and tested for maximum reliability and versatility.

Part Number	Band Width
615467-001	3"
615467-002	1 1/2"



## END FRAME LENGTH ADAPTER KIT

Part No. 615059-001

Use on 5" & 5-1/2" Century-extended through bolt motors to gain additional length to fit in old base. Kit contains adapter plate with mounting ring, (4) split rings, (8) nuts and (4) lock washers.

Fits 5" motors with a 90 degree bolt pattern and 5-1/2" motors with 60-120 degree and 90 degree bolt patterns.



## 56 Frame C-Face Kits & ODP Deflector

Part Number	Description	Enclosure
10392002*	C-Face Kit	ODP
17090001	Deflector	ODP
10909202	C-Face Kit	TEFC

\* The ODP C-Face must be installed in conjunction with the deflector. Items must be ordered separately. Special note: These kits are designed for the legacy Century® 56 frame motors only. Not suitable for 56 frame farm motors or 56Z frame models.

## FLEXIMOUNT ADAPTER

**PART NO. 619432-192**  
**42 FRAME**  
**PART NO. 619432-174**  
**48 FRAME**

Adapt standard 42 & 48 frame motors to Fleximount. Each adapter includes 3 grommets and 3 steel ferrules. Bolt circle diameters for each  
 Large: 10.18  
 Small: 9.00

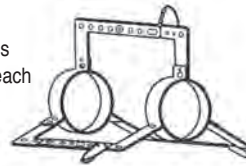


## FLEX MOUNTING BRACKET

**PART NO. HFM55**

Heavy duty application  
 Motor diameter 5-5/8"  
 Each adapter includes 3 grommets and 3 ferrules  
 Bolt circle diameters for each  
 Large: 10.18  
 Small: 9.00

PART NO. HFM55  
 Replaces this type of bracket



## FLEX MOUNTING BRACKET

**PART NO. HFM554**

Heavy duty application  
 Motor diameter 5-5/8"  
 Each adapter includes 4 grommets and 4 ferrules  
 Bolt circle diameters for each  
 Large: 10.00  
 Small: 9.00



## LUG MOUNTING BRACKET

**PART NO. 615157**

For adapting 5-1/2" standard motors to applications that require lugs attached to motor shell. Bolt circle diameter = Minimum of 6-3/4" Maximum of 7-3/4"



## DIRECT DRIVE BLOWER MOUNTING KIT

**PART NO. 625295**

Fixed lug mount assembly for 5-1/2" diameter motors. Includes grommets, ferrules and screws. Bolt circle diameter = 10-1/2"



## Century II Replacement Part Listing for 140-320 Frame TEFC

### Cast Iron Terminal Box Kits

Frame	Poles	Kit #
140	ALL	1010223
180	ALL	1010224
210	ALL	1010225
250	ALL	1010226
280	ALL	1010227
320	ALL	1010228

### Steel Fan Cover Kits

Frame	Poles	Kit #
140	ALL	1010211
180	ALL	1010212
210	ALL	1010213
250	ALL	1010214
280	ALL	1010215
320	ALL	1010216

### Cast Iron Fan Cover Kits

Frame	Poles	Kit #
140	ALL	1010200
180	ALL	1010201
210	ALL	1010203
250	ALL	1010205
280	ALL	1010207
320	ALL	1010208

### Bearing Cap for C-Flange

Frame	Poles	Kit #
140	2-4-6	1010254
180	2-4-6	1010255
210	2-4-6	1010256
250	2-4-6	1010257
280	2-4-6	1010258
320	2-4-6	1010259

### C-Flange Kits

Frame	Poles	Kit #
140	2-4-6	1010246
180	2-4-6	1010247
210	2-4-6	1010248
250	2-4-6	1010249
280	2-4-6	1010250
320	2-4-6	1010251

### DE Bracket Kits

Frame	Poles	Kit #
140	ALL	1010263
180	ALL	1010264
210	ALL	1010265
250	ALL	1010266
280	ALL	1010267
320	ALL	1010268

### DE Flinger

Frame	Poles	Kit #
140	2-4-6	1010298
180	2-4-6	1010299
210	2-4-6	1010300
250	2-4-6	1010301
280	2-4-6	1010302
320	2-4-6	1010303

### ODE Bracket Kits

Frame	Poles	Kit #
143	ALL	1010275
145	ALL	1010276
182	ALL	1010277
184	ALL	1010278
210	ALL	1010279
250	ALL	1010280
280	ALL	1010281
320	ALL	1010282

### Steel Terminal Box Kits

Frame	Poles	Kit #
140	ALL	1010230
180	ALL	1010232
210	ALL	1010234
250	ALL	1010235
280	ALL	1010236
320	ALL	1010238

### External Fan

Frame	Poles	Kit #
140	2-4-6	1010285
180	2	1010286
180	4-6	1010287
210	2-4-6	1010288
250	2	1010289
250	4	1010290
250	6	1010291
280	2-4	1010292
280	6	1010293
320	2-6	1010294
320	4	1010295

## DC Motor Thermal Protector Kit

Suitable for PMDC motors over 15 pounds. Thermal Protector Kit not available for motors under 15 pounds.



891095

Part Number	List Price (U.S. \$)	Notes
891095	\$10.00	1

**Note:**

1. Item to be discontinued when stock is depleted

## Shaft Adapter Kit

A shaft adapter (sleeve and key) is available that will increase the shaft diameter from 1/2 inch to 5/8 inch.



Part Number	To Change Shaft Diameter
10044701	From 1/2" to 5/8"

## Slide Bases

These slide bases have a single adjusting screw and are suitable for the majority of floor mounted belt connected motor applications. These bases are not suitable for ceiling or side wall installations, except for 140T and 180T-Frame bases, which may be either ceiling or side-wall mounted if the belt pull is horizontal or upward from the motor shaft, and the installation has no appreciable vibration.



30868109

NEMA Frame	Part Number
143T	30868104
145T	30868105
182T	30868106
184T	30868107
213T	30868108
215T	30868109
254T	30868110
256T	30868111
284T	30868112
286T	30868113

NEMA Frame	Part Number
324T	30868114
326T	30868115
364T	30868116
365T	30868117
404T	30868118
405T	30868119
444T	30868120
445T	30868121
449T	30868130

## Conversion Bases - T to U Frame

The following bases provide an easy, inexpensive method of adapting the 1964 re-rated standard motors to the 1952 standard mountings. These bases make it possible to mount standard T-Frame motors so that the axial centerline will be identical and the end of the shaft extension will be common with the previous standard motor.



31623902

**Notes:** \*\*All units will accommodate an adjustable or stationary application. All units, packed in cartons, are furnished with one coat of gray primer, and all nuts and bolts necessary for making transitions.

NEMA Frame	Part Number**
182T to 213	31623901
184T to 213	31623901
182T to 215	31623901
184T to 215	31623901
213T to 254U	31623902
215T to 254U	31623902
213T to 256U	31623902
215T to 256U	31623902
254T to 284U	31623903
256T to 284U	31623903
254T to 286U	31623903
256T to 286U	31623903
284TS to 324S	31623904
284TS to 326S	31623905
286TS to 326S	31623905
284T to 324U	31623906
286T to 324U	31623906
284T to 326U	31623906
286T to 326U	31623906
324TS to 364US	31623907
324TS to 365US	31623907
326TS to 365US	31623908
324T to 364U	31623908
326T to 364U	31623909
324T to 365U	31623909
326T to 365U	31623909

NEMA Frame	Part Number**
364T to 404U	31623910
365T to 404U	31623910
364T to 405U	31623910
365T to 405US	31623910
364TS to 404US	31623911
365TS to 404US	31623911
364TS to 405US	31623911
365TS to 405US	31623911
404T to 444U	31623912
405T to 444U	31623912
404T to 445U	31623912
405T to 445U	31623912
364T to 444U	31623915
365T to 444U	31623915
364T to 445U	31623915
365T to 445U	31623915
364T to 444US	31623916
365T to 444US	31623916
364T to 445US	31623916
365T to 445US	31623916

## Drip Cover Kits

Drip cover kits can be installed by the user to horizontal steel frame dripproof motors in the field. These kits cannot be used on cushion base motors, brake motors, terminal in-bracket motors, motors with protectors, or 56 frame motors with a Z suffix.

Frame	Part Number
56-143T-145T	10301702

## Motor modifications in one to three days...

If you need immediate motor modifications on 20 motors or less and want to avoid special engineering and manufacturing schedules, call your Century Customer Service Center. Your order will be confirmed and a delivery date established.

Quoted lead days are modification time only. They are subject to part availability and large order quantities. Please specify desired delivery dates on all orders to insure timely delivery.

## How to order

First determine whether you need a kit or part(s) to perform the modification. If you do not need a kit or part, then the modification price includes all supplies to perform that modification. If a kit/part is needed, the modification price is for the labor only to install the kit/part. The price of the kit or part and the motor are not included. When a kit or part is not included in the Net price, that modification price is designated + Cost of Part(s). You must add the net price of the motor and the kit/part to the net price of the modification(s) to calculate the total price of the modified motor.

## Return/Cancellation Policy

If a Rush Center order is cancelled after the motor is modified but before it ships, a cancellation charge of double the modification charge will be invoiced to the customer. Any Rush Center order cancelled before modifications are completed is subject to a cancellation charge of 25% of the total modification charges for that item. Once shipped, modified motors may not be returned for credit or restocking.

## CR2 Bearing and Lubrication Change

Modification includes the disassembly of the motor and changing to either customer specified grease or bearings. Bearings can be almost any combination of sealed, shielded, or open. If required, bearing cavities can be repacked with specified grease. Modification is limited to availability of specified bearings and grease. Special bearings, not stocked by Century, may be obtained for an additional charge.

48-440T Frame contact Customer Service for quote.

## CR2C Special Grease

For special grease for high temperature, low temperature. Consult company with full application details or other environmental conditions for recommendations. **Quoted upon request.**

## CR2A Double Shielded Bearings

Add substitutes double shielded for standard bearing (not available on 2 pole motors frame 284T or larger)

NEMA Frame	List Price Per Motor (U.S. \$)	NEMA Frame	List Price Per Motor (U.S. \$)
140T	\$ 255.32	320T	\$ 510.64
180T	282.98	360T	765.96
210T	282.98	400T	1,021.28
250T	319.15	440T	1,021.28
280T	340.43		

## CR2B Sealed Bearings

Add substitutes sealed for standard bearings (not available on 2 pole motors frame 284T or larger). May not be suitable for belted applications—consult the company with full application details.

NEMA Frame	List Price Per Motor (U.S. \$)	NEMA Frame	List Price Per Motor (U.S. \$)
140T	\$ 276.60	320T	\$ 595.74
180T	304.26	360T	851.06
210T	304.26	400T	1,117.02
250T	329.79	440T	1,276.60
280T	446.81		

## CR13 Add C-Face Bracket

The C-Face bracket can be added to all 56-Frame motors. The C-Face bracket can be added to all 140T-320T frame catalog motors marked with the note: "C & D flange kit adaptable, TEFC" in the Notes column of tables shown in this catalog.

Modification includes disassembly of the motor and the installation of the C- or D-Face bracket kit. The 56-Frame C-Face bracket is aluminum unless otherwise specified.

NEMA Frame	List Price Per Motor (U.S. \$)	NEMA Frame	List Price Per Motor (U.S. \$)
140T	\$ 127.66*	320T	\$ 191.49*
180T	127.66*	360T	191.49*
210T	127.66*	400T	191.49*
250T	127.66*	440T	191.49*
280T	127.66*		

\* + Cost of parts

## CR14 Base Modification

Modification can include either the addition or the removal of a base. Rigid or cushion bases can be added per customer requirement.

Adding a base is limited to steel frame 48, 56 or 140T Frames. The base can be removed on steel frames 48 through 210T and aluminum frames 180T-250T.

NEMA Frame	List Price Per Motor (U.S. \$)
<b>Adding Base (Rigid/Cushion)</b>	
48-140T	\$ 159.57*
<b>Remove (Rigid) Base</b>	
48-140T	\$ 121.28*
180T-210T	182.98*
250T-280T	242.55*
<b>Remove (Cushion) Base</b>	
48-140T	\$ 121.28*

CR14 subject to design limitations of motors and parts.

\* + Cost of parts

**CR15 Convert to F2, Sidewall or Ceiling Mount – Three Phase Only**

Modification includes the disassembly of the motor and the conversion made to customer specifications. Due to varied construction, engineering approval may be required. Also includes the addition of appropriate condensation drain holes.

NEMA Frame	List Price Per Motor (U.S. \$)	NEMA Frame	List Price Per Motor (U.S. \$)
140T	\$ 161.70	320T	\$ 242.55
180T	161.70	360T	242.55
210T	161.70	400T	323.40
250T	161.70	440T	323.40
280T	242.55		

**CR16 Nameplates – Replacement**

The new nameplate and motor, after re-nameplating, will not be UL listed or CSA recognized. Modification covers the removal of the existing nameplate on the motor and replacement with a new one. All nameplate changes are subject to Engineering approval.

NEMA Frame	List Price Per Motor (U.S. \$)	NEMA Frame	List Price Per Motor (U.S. \$)
56	\$ 121.28	280T	\$ 121.28
140T	121.28	320T	182.98
180T	121.28	360T	182.98
210T	121.28	400T	182.98
250T	121.28	440T	182.98

**CR18 Thermostats**

Normally-closed automatic reset thermostats mounted next to the stator windings are available for supplementary thermal overload protection. These thermostats are not suitable protection for stalled conditions or other rapidly changing temperature conditions. For thermistor, add \$22.00 to list price.

These thermostats will be supplied with two leads brought to the motor terminal box for connection to a relay or signaling device. They are not suitable for interrupting line current.

**Not suitable on Explosion-Proof motors. Humatic Thermostats, add \$30.00.**

NEMA Frame	List Price Per Motor (U.S. \$)	NEMA Frame	List Price Per Motor (U.S. \$)
48-56T	\$ 205.67	280T	\$ 273.05
140T	205.67	320T	273.05
180T	205.67	360T	273.05
210T	205.67	400T	340.43
250T	205.67	440T	340.43

**CR18 Thermistors**

NEMA Frame	List Price Per Motor (U.S. \$)	NEMA Frame	List Price Per Motor (U.S. \$)
48-56T	\$ 453.90	280T	\$ 521.28
140T	453.90	320T	521.28
180T	453.90	360T	521.28
210T	453.90	400T	588.65
250T	453.90	440T	588.65

**CR19 Paint**

**Repaint to a Century Stock Color**

Modification includes the cost of repainting a motor to an existing Century stock color. Other colors can be applied at the same price but with an extended lead time. If the paint is an air dry lacquer, either Century can purchase it or the customer can supply it. If the paint is a special paint at above normal cost, or if the paint has a minimum order quantity, the customer will be advised before the order is entered concerning extra costs.

NEMA Frame	List Price Per Motor (U.S. \$)	NEMA Frame	List Price Per Motor (U.S. \$)
140T	\$ 208.51	320T	\$ 255.32
180T	208.51	360T	457.45
210T	208.51	400T	457.45
250T	255.32	440T	457.45
280T	255.32		

**CR20**

**Screens-Open Dripproof Motors**

Modification includes the disassembly of the open dripproof motor and the addition of corrosion-resistant screens on air inlet and air outlet openings. The screens have a ¼" opening and are applied to the inside of the motor.

NEMA Frame	List Price Per Motor (U.S. \$)	NEMA Frame	List Price Per Motor (U.S. \$)
140T	\$ 212.77	320T	\$ 297.87
180T	212.77	360T	297.87
210T	212.77	400T	382.98
250T	297.87	440T	382.98
280T	297.87		

**CR21**

**Space Heaters**

Modification includes the disassembly of the motor and the addition of 115V, 230V or 460V space heaters laced to the motor winding. Number of space heaters will vary with frame size and voltage. Multiple space heaters will be internally connected. The two space heater leads will be brought to the existing motor terminal box. Space heater voltage must be specified on the order. Some 56-140T-Frame motors may not be suitable for installation of space heaters.

NEMA Frame	List Price Per Motor (U.S. \$)	NEMA Frame	List Price Per Motor (U.S. \$)
48-56T	\$ 255.32	280T	\$ 382.98
140T	255.32	320T	382.98
180T	319.15	360T	585.11
210T	319.15	400T	585.11
250T	382.98	440T	585.11

## CR23

### Tropicalization

Modification includes the disassembly of the motor and the application of rust preventative primer to the rotor. The motor winding is given an extra spray of non-hygroscopic varnish. If screens are required for tropicalization, refer to CR20. Not applicable to Explosion Proof Motors.

NEMA Frame	List Price Per Motor (U.S. \$)	NEMA Frame	List Price Per Motor (U.S. \$)
48-56T	\$ 234.04	280T	\$ 308.51
140T	234.04	320T	308.51
180T	234.04	360T	372.34
210T	234.04	400T	372.34
250T	308.51	440T	372.34

## CR34

### Cast Iron Conduit Box

Modification includes the removal of standard steel conduit box and replacement with a Cast Iron Conduit box. This modification is available only on Cast Iron TEFC motors and subject to parts availability.

NEMA Frame	List Price Per Motor (U.S. \$)	NEMA Frame	List Price Per Motor (U.S. \$)
140T	\$ 127.66*	250T	\$ 127.66*
180T	127.66*	280T	127.66*
210T	127.66*	320T	127.66*

\* + Cost of parts

## CR36

### Cast Iron Fan Guard

Modification includes the removal of original fan guard and installation of Cast Iron Fan Guard. This modification is suitable for use with Cast Iron TEFC motors only and subject to availability.

NEMA Frame	List Price Per Motor (U.S. \$)	NEMA Frame	List Price Per Motor (U.S. \$)
140T	\$ 127.66*	250T	\$ 127.66*
180T	127.66*	280T	191.49*
210T	127.66*	320T	191.49*

\* + Cost of parts

## CR37

### AEGIS Shaft Grounding Ring Installation

Modification includes the installation of AEGIS shaft grounding ring, attachment brackets, and screws. This modification is recommended for 56 frame to 440T frame IHP motors integrated with a variable frequency drive and protects against premature bearing/motor failure resulting from the discharge of induced shaft voltages.

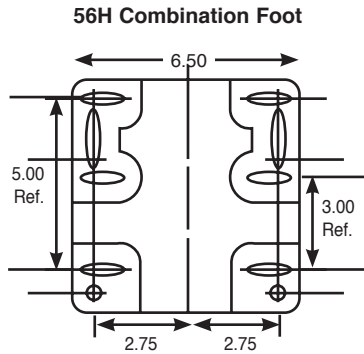
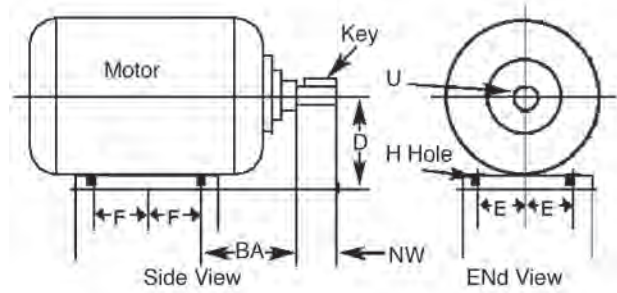
NEMA Frame	Mod Center Part Number	List Price Per Motor (U.S. \$)
56	CR37-SGR-56	\$ 395.00
143T-145T	CR37-SGR-143-145	441.00
182T-184T	CR37-SGR-182-184	456.00
213T-215T	CR37-SGR-213-215	472.00
254T-256T	CR37-SGR-254-256	681.00
284T/286/ 324TS/326TS/ 364TS/365TS	CR37-SGR-284-365TS	711.00
324T/326T/ 404TS/405TS	CR37-SGR-324-405TS	788.00
364T/365T/ 444TS/445TS/ 447TS/449TS	CR37-SGR-364-449TS	950.00
404T/405T	CR37-SGR-404-405	1,038.00
444T/445T/ 447T/449T	CR37-SGR-444-449	1,327.00



## Features

### Dimensions

Drip-proof, Totally Enclosed Fan Cooled and Explosion Proof. All dimensions are approximate, not to be used for construction purposes. Note: Drawing shows rigid base. Foot mounting dimensions listed are identical for either rigid or resilient base mounting. For 56H Combination Foot, refer to Diagram 1. For C Flange motors, refer to Diagram 2.



**Diagram 1**

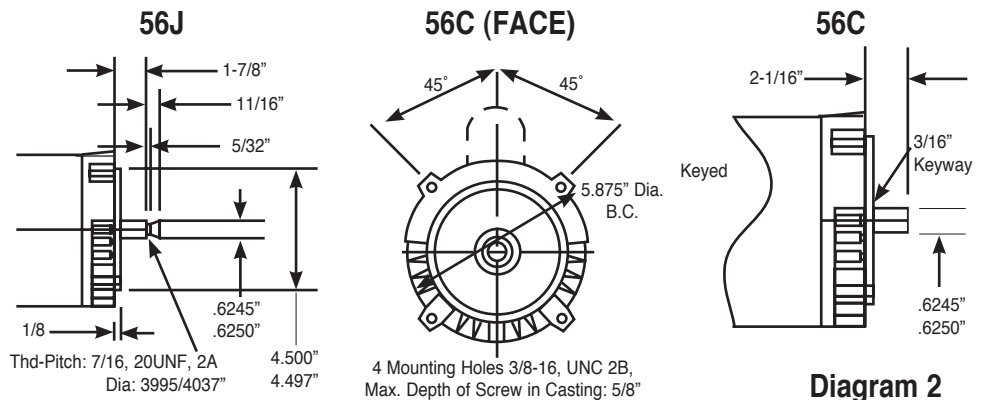
Suffix "Y" = Special Mount Dim.  
Suffix "Z" = Special Shaft Dim.

### Common to All Squirrel Cage Motors

Frame	D	E	F	BA	U	N-W	Key Size
42	2-5/8	1-3/4	27/32	2-1/16	3/8	1-1/8	.05 Flat
48	3	2-1/8	1-3/8	2-1/2	1/2	1-5/8	.05 Flat
56	3-1/2	2-7/16	1-1/2	2-3/4	5/8	1-7/8	3/16 sq. x 1-3/8
56H	3-1/2	Dia. 1	Dia. 1	2-3/4	5/8	1-7/8	3/16 sq. x 1-3/8
56C	See Diagram 2				5/8	1-7/8	3/16 sq. x 1-3/8
56J	See Diagram 2				5/8	2-7/16	Threaded
143T	3-1/2	2-3/4	2	2-1/4	7/8	2-1/4	3/16 sq. x 1-3/8
145T	3-1/2	2-3/4	2-1/2	2-1/4	7/8	2-1/4	3/16 sq. x 1-3/8

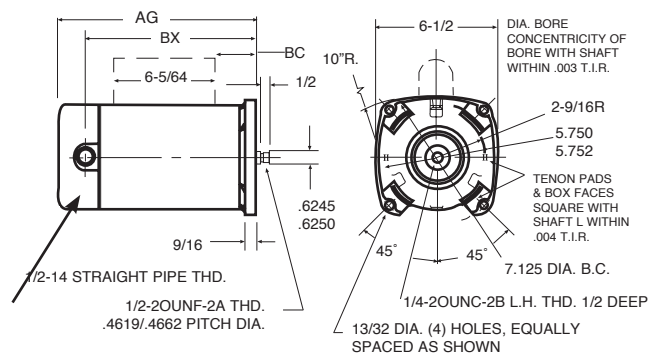
### CONVERSION CHART

Decimal	Fraction
0.0313	1/32
0.0625	1/16
0.0938	3/32
0.1250	1/8
0.1563	5/32
0.1875	3/16
0.2188	7/32
0.2500	1/4
0.2813	9/32
0.3125	5/16
0.3438	11/32
0.3750	3/8
0.4063	13/32
0.4375	7/16
0.4688	15/32
0.5000	1/2
0.5313	17/32
0.5625	9/16
0.5938	19/32
0.6250	5/8
0.6563	21/32
0.6875	11/16
0.7188	23/32
0.7500	3/4
0.7813	25/32
0.8125	13/16
0.8438	27/32
0.8750	7/8
0.9063	29/32
0.9375	15/16
0.9688	31/32



**Diagram 2**

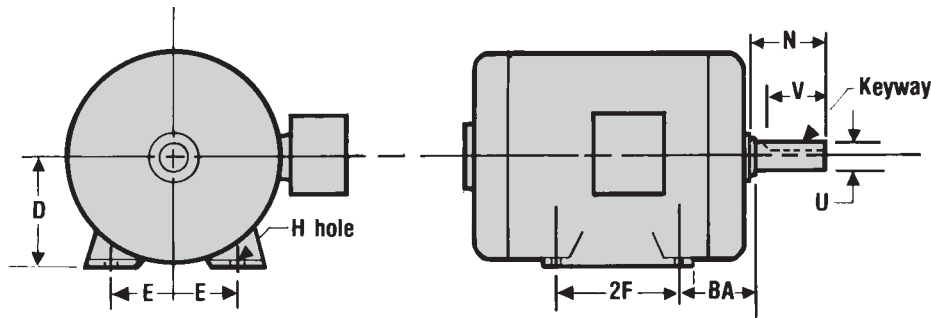
### SQUARE FLANGE



**Diagram 3**

# General Purpose IHP Motor Dimensions

Single and Three Phase 143T-449T Frame • Dripproof • Totally Enclosed • Explosion-Proof



NEMA Frame	Keyway	BA	D <sup>1</sup>	E	2F	H	N	U <sup>2</sup>	V <sup>3</sup>
143T	3/16 x 3/32	2.25	3.50	2.75	4.00	11/32	2.31	.875	2.00
145T	3/16 x 3/32	2.25	3.50	2.75	5.00	11/32	2.31	.875	2.00
182T	1/4 x 1/8	2.75	4.50	3.75	4.50	13/32	2.81	1.125	2.50
184T	1/4 x 1/8	2.75	4.50	3.75	5.50	13/32	2.81	1.125	2.50
213T	5/16 x 5/32	3.50	5.25	4.25	5.50	13/32	3.50	1.375	3.13
215T	5/16 x 5/32	3.50	5.25	4.25	7.00	13/32	3.50	1.375	3.13
254T	3/8 x 3/16	4.25	6.25	5.00	8.25	17/32	4.25	1.625	3.75
256T	3/8 x 3/16	4.25	6.25	5.00	10.00	17/32	4.25	1.625	3.75
284T	1/2 x 1/4	4.75	7.00	5.50	9.50	17/32	4.88	1.875	4.38
284TS	3/8 x 3/16	4.75	7.00	5.50	9.50	17/32	3.50	1.625	3.00
286T	1/2 x 1/4	4.75	7.00	5.50	11.00	17/32	4.88	1.875	4.38
286TS	3/8 x 3/16	4.75	7.00	5.50	11.00	17/32	3.50	1.625	3.00
324T	1/2 x 1/4	5.25	8.00	6.25	10.50	21/32	5.50	2.125	5.00
324TS	1/2 x 1/4	5.25	8.00	6.25	10.50	21/32	4.00	1.875	3.50
326T	1/2 x 1/4	5.25	8.00	6.25	12.00	21/32	5.50	2.125	5.00
326TS	1/2 x 1/4	5.25	8.00	6.25	12.00	21/32	4.00	1.875	3.50
364T	5/8 x 5/16	5.88	9.00	7.00	11.25	21/32	6.13	2.375	5.63
364TS	1/2 x 1/4	5.88	9.00	7.00	11.25	21/32	4.00	1.875	3.50
365T	5/8 x 5/16	5.88	9.00	7.00	12.25	21/32	6.13	2.375	5.63
365TS	1/2 x 1/4	5.88	9.00	7.00	12.25	21/32	4.00	1.875	3.50
404T	3/4 x 3/8	6.63	10.00	8.00	12.25	13/16	7.50	2.875	7.00
404TS	1/2 x 1/4	6.63	10.00	8.00	12.25	13/16	4.50	2.125	4.00
405T	3/4 x 3/8	6.63	10.00	8.00	13.75	13/16	7.50	2.875	7.00
405TS	1/2 x 1/4	6.63	10.00	8.00	13.75	13/16	4.50	2.125	4.00
444T	7/8 x 7/16	7.50	11.00	9.00	14.50	13/16	8.87	3.375	8.25
444TS	5/8 x 5/16	7.50	11.00	9.00	14.50	13/16	5.12	2.375	4.50
445T	7/8 x 7/16	7.50	11.00	9.00	16.50	13/16	8.87	3.375	8.25
445TS	5/8 x 5/16	7.50	11.00	9.00	16.50	13/16	5.12	2.375	4.50
445TZ	1 x 1/2 <sup>5</sup>	7.50	11.00	9.00	16.50	13/16	11.25	3.875	10.625
447T	7/8 x 7/16 <sup>4</sup>	7.50	11.00	9.00	20.00	13/16	8.87	3.875	8.25
447TS	5/8 x 5/16 <sup>4</sup>	7.50	11.00	9.00	20.00	13/16	5.12	2.375	4.50
447TZ	1 x 1/2 <sup>5</sup>	7.50	11.00	9.00	20.00	13/16	11.25	3.875	10.625
449T	7/8 x 7/16 <sup>4</sup>	7.50	11.00	9.00	25.00	13/16	8.87	3.375	8.25
449TS	5/8 x 5/16 <sup>4</sup>	7.50	11.00	9.00	25.00	13/16	5.12	2.375	4.50
449TZ	1 x 1/2 <sup>5</sup>	7.50	11.00	9.00	25.00	13/16	11.25	3.875	10.625

**Notes:**

- <sup>1</sup>Dimension "D" tolerance: - .8" or less, +.000, -.031; over 8", +.000-.062
- <sup>2</sup>Dimension "U" tolerance: - 11/2" dia. or less, +.0000, -.0005; over 11/2" dia., +.000, -.001
- <sup>3</sup>Dimension "V" is usable length of shaft
- <sup>4</sup>Suitable for horizontal mounting only. Refer to company for belting applications.
- <sup>5</sup>Crusher-duty motors Spec 80546

**For Reference Only Unless  
Approved for Construction**

# NEMA Frame Assignments

## Open and TEFC

NEMA Frame Program Hp	3600 RPM			1800 RPM			1200 RPM			900 RPM		
	"T" Frames 1964	"U" Frames 1952	Original NEMA Frames	"T" Frames 1964	"U" Frames 1952	Original NEMA Frames	"T" Frames 1964	"U" Frames 1952	Original NEMA Frames	"T" Frames 1964	"U" Frames 1952	Original NEMA Frames
1	—	—	—	143T	182	203	145T	184	204	182T	213	225
1 1/2	143T	182	203	145T	184	204	182T	184	224	184T	213	254
2	145T	184	204	145T	184	224	184T	213	225	213T	215	254
3	145T / <b>182T</b>	184	224	182T	213	225	213T	215	254	215T	254U	284
5	182T / <b>184T</b>	213	225	184T	215	254	215T	254U	284	254T	256U	324
7 1/2	184T / <b>213T</b>	215	254	213T	254U	284	254T	256U	324	256T	284U	326
10	213T / <b>215T</b>	254U	284	215T	256U	324	256T	284U	326	284T	286U	364
15	215T / <b>254T</b>	256U	324	254T	284U	326	284T	324U	364	286T	326U	365
20	254T / <b>256T</b>	284U/ <b>286U</b>	326	256T	286U	364	286T	326U	365	324T	364U	404
25	256T / <b>284TS</b>	286U/ <b>324U</b>	364S/ <b>365S</b>	284T	324U	364/ <b>365</b>	324T	364U	404	326T	365U	405
30	284TS / <b>286TS</b>	324S/ <b>326S</b>	364S/ <b>404S</b>	286T	326U	365/ <b>404</b>	326T	365U	405	364T	404U	444
40	286TS / <b>324TS</b>	326S/ <b>364US</b>	365S/ <b>405S</b>	324T	364U	404/ <b>405</b>	364T	404U	444	365T	405U	445
50	324TS / <b>326TS</b>	364US	404S/ <b>444S</b>	326T	365US	405S/ <b>444S</b>	365T	405U	445	404T	444U	504U
60	326TS / <b>364TS</b>	365US/ <b>405US</b>	405S/ <b>445S</b>	364TS	404US/ <b>405US</b>	444S/ <b>445S</b>	404T	444U	504U	405T	445U	505
75	364TS / <b>365TS</b>	404US/ <b>444US</b>	444S/ <b>504S</b>	365TS	405US/ <b>444US</b>	445S/ <b>504S</b>	405T	445U	505	444T	—	—
100	365TS / <b>405TS</b>	405US/ <b>445US</b>	445S/ <b>505S</b>	404TS/ <b>405TS</b>	444US/ <b>445US</b>	504S/ <b>505S</b>	444T	—	—	445T	—	—
125	404TS / <b>444TS</b>	444US	504S	405T / <b>444TS</b>	445US	505S	445T	—	—	—	—	—
150	405TS / <b>445TS</b>	445US	505S	444TS/ <b>445TS</b>	—	—	—	—	—	—	—	—
200	444TS	—	—	445TS	—	—	—	—	—	—	—	—
250	445TS	—	—	—	—	—	—	—	—	—	—	—

### IEC/NEMA Comparison

IEC	NEMA	Dimensions in Millimeters											kW/Hp** Frame Assignments				
		H	A	B	K	D	C	E	3 Phase - TEFC			2 Pole	4 Pole	6 Pole			
56	NA	56	—	—	—	—	—	—	—	—	—	—	—	—	—	—	—
63	42	63	100	80	7	11	40	23	25 kW	18 kW	—	—	—	—	—	—	—
71	48	71	112	90	7	14	45	30	.55	1/3 Hp	—	—	—	—	—	—	—
80	56	80	125	100	10	19	50	40	1.1	1/2	1.1	1.1	1.1	1.1	1.1	1.1	1.1
90S	143T	90	140	100	10	24	56	50	1.5	1	1	1	1	1	1	1	1
90L	145T	90	140	100	10	24	56	50	2.2	1.5	1.5	1.5	1.5	1.5	1.5	1.5	1.5
100L	NA	100	160	140	12	28	63	60	3	2.2	1.5	1.5	1.5	1.5	1.5	1.5	1.5
112S	182T	112	190	114	12	28	70	60	3.7	2.2	1.5	1.5	1.5	1.5	1.5	1.5	1.5
112M	184T	112	190	140	12	28	70	60	3.7	4	2.2	2.2	2.2	2.2	2.2	2.2	2.2
132S	213T	132	216	140	12	38	89	80	7.5	5.5	3	3	3	3	3	3	3
132M	215T	132	216	178	12	38	89	80	7.5	5.5	3	3	3	3	3	3	3
160M*	254T	160	254	210	15	42	108	110	15	11	7.5	10	10	10	10	10	10
160L*	256T	160	254	254	15	42	108	110	18.5	15	11	11	11	11	11	11	11
180M*	284T	180	279	241	15	48	121	110	22	18.5	15	15	15	15	15	15	15
180L*	286T	180	279	241	15	48	121	110	22	22	15	15	15	15	15	15	15
200M*	324T	200	318	267	19	55	133	110	30	30	20	20	20	20	20	20	20
200L*	326T	200	318	305	19	55	133	110	37	37	22	22	22	22	22	22	22
225S*	364T	225	356	286	19	60	149	140	—	37	30	30	30	30	30	30	30
225M*	365T	225	356	311	19	60	149	140	—	50/75	40	40	40	40	40	40	40
250M*	405T	250	406	349	24	65	168	140	55	55	—	—	—	—	—	—	—
280S*	444T	280	457	368	24	75	190	140	—	—	45	45	45	45	45	45	45
280M*	445T	280	457	419	24	75	190	140	—	—	80/100	80	80	80	80	80	80
		280	457	419	24	75	190	140	—	—	—	—	—	—	—	—	—
		279.4	457.2	368.3	20.6	85.7	190.5	215.9	—	—	—	—	—	—	—	—	—
		445T	457.2	419.1	20.6	85.7	190.5	215.9	—	—	—	—	—	—	—	—	—

\* Shaft dimensions of these IEC frames may vary between manufacturers.

\*\* Horsepower listed is closest comparable rating with similar mounting dimensions. In some instances this results in greater Hp rating than required. For example, 37 kW, 4 pole converts to 50 Hp but nearest Hp rating in the NEMA frame having comparable dimensions is 75 Hp. In these instances the Hp rating printed in black is the direct conversion, and Hp printed in **Red** is the Hp of the dimensionally desirable frame. **OBSERVE CAUTION if the drive train or driven load is likely to be damaged by the greater Hp.**

Equivalent Hp can be calculated by multiplying the kW rating by 1.341. Multiply Hp by .7457 to convert Hp to kW. To convert from millimeters to inches, multiply by .03937. To convert from inches to millimeters, multiply by 25.40.

### Fraction/Decimal/Millimeter Conversions

Fraction	Decimal	Millimeter	Fraction	Decimal	Millimeter	MM	Inch
1/64	.015625	0.397	33/64	.515625	13.097	1	.0394
1/32	.03125	0.794	17/32	.53125	13.494	2	.0787
3/64	.046875	1.191	35/64	.546875	13.891	3	.1181
1/16	.0625	1.588	9/16	.5625	14.288	4	.1575
5/64	.078125	1.984	31/64	.578125	14.684	5	.1969
3/32	.09375	2.381	19/32	.59375	15.081	6	.2362
7/64	.109375	2.778	39/64	.609375	15.478	7	.2756
1/8	.125	3.175	5/8	.625	15.875	8	.3150
9/64	.140625	3.572	41/64	.640625	16.272	9	.3543
5/32	.15625	3.969	21/32	.65625	16.669	10	.3937
11/64	.171875	4.366	43/64	.671875	17.066	11	.4331
3/16	.1875	4.763	11/16	.6875	17.463	12	.4724
13/64	.203125	5.159	45/64	.703125	17.859	13	.5118
7/32	.21875	5.556	23/32	.71875	18.256	14	.5512
15/64	.234375	5.953	47/64	.734375	18.653	15	.5906
1/4	.25	6.350	3/4	.75	19.050	16	.6299
17/64	.265625	6.747	49/64	.765625	19.447	17	.6693
9/32	.28125	7.144	25/32	.78125	19.844	18	.7087
19/64	.296875	7.541	51/64	.796875	20.241	19	.7480
5/16	.3125	7.938	13/16	.8125	20.638	20	.7874
21/64	.328125	8.334	53/64	.828125	21.034	21	.8268
11/32	.34375	8.731	27/32	.84375	21.431	22	.8661
23/64	.359375	9.128	55/64	.859375	21.828	23	.9055
3/8	.375	9.525	7/8	.875	22.225	24	.9449
25/64	.390625	9.922	57/64	.890625	22.622	25	.9843
13/32	.40625	10.319	29/32	.90625	23.019		
27/64	.421875	10.716	59/64	.921875	23.416		
7/16	.4375	11.113	15/16	.9375	23.813		
29/64	.453125	11.509	61/64	.953125	24.209		
15/32	.46875	11.906	31/32	.96875	24.606		
31/64	.484375	12.303	63/64	.984375	24.003		
1/2	.5	12.700	1	1.0	25.400		

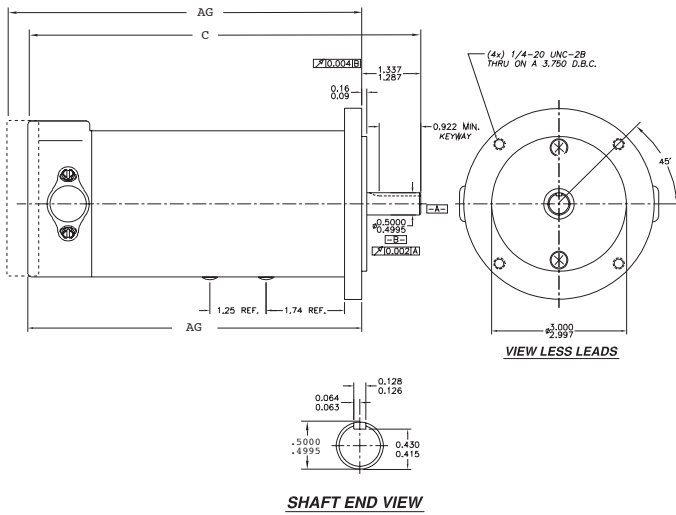
To convert millimeters into inches, multiply by .03937.

To convert inches into millimeters, multiply by 25.40.

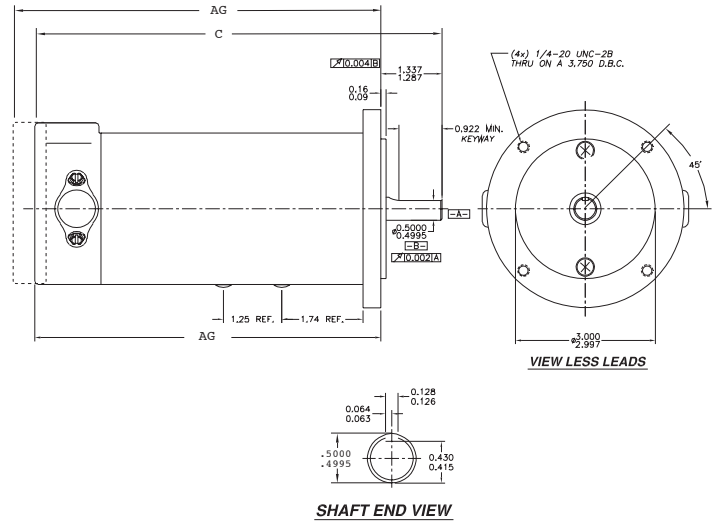


## Dimensions & Ratings

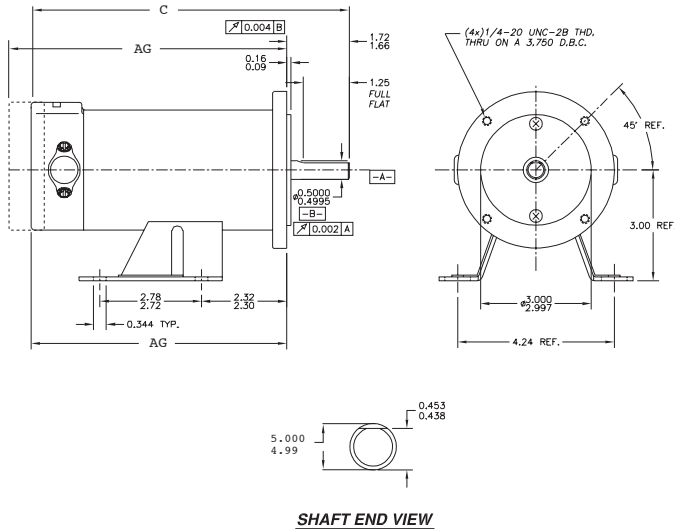
### NEMA 42CZ Frame Configuration



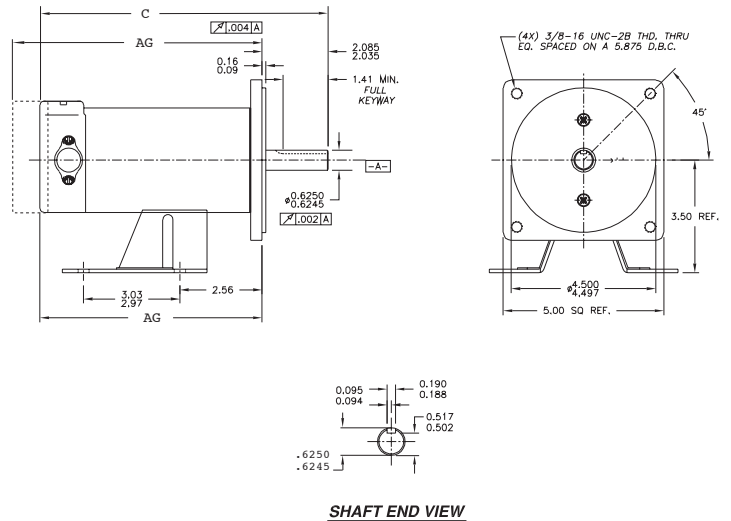
### NEMA 42C Frame Configuration



### NEMA 48C Frame Configuration

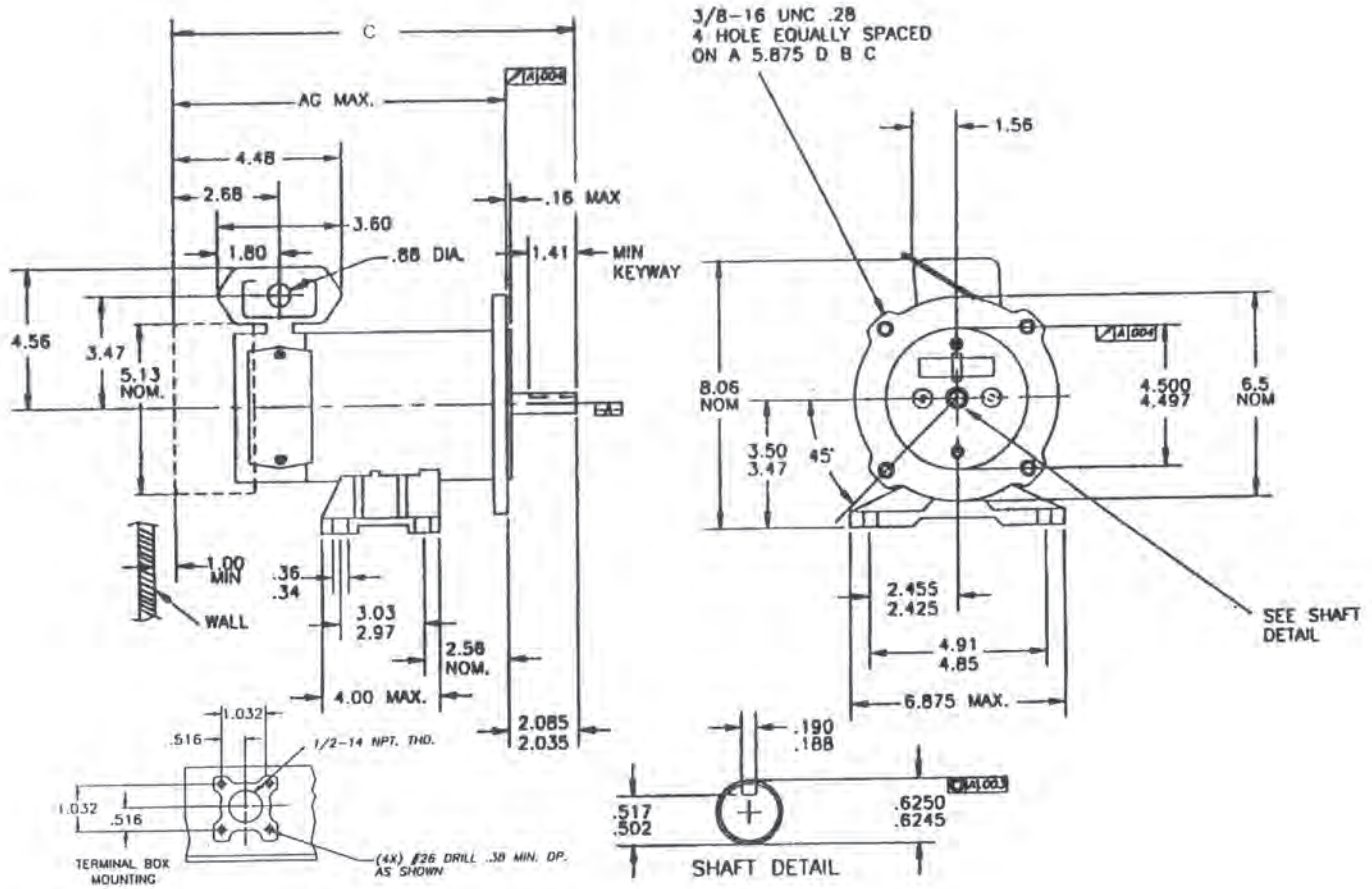


### NEMA 56C Frame Configuration



HP	Full Load RPM	Volts DC	Enclosure	NEMA Frame	Full Load Amps	Less Base Stock Number	Rigid Base Stock Number	AG Max
1/8	1725	90	TENV	48C	1.4	—	D019	6.00
1/8	1725	90	TENV	56C	1.4	D027	D036	7.00
1/6	1725	90	TENV	42CZ/48CZ	1.9	D014	—	7.50
1/6	1725	90	TEFC	48C	2.0	—	D020	7.75
1/4	1725	90	TEFC	42CZ/48CZ	2.9	D016	—	8.75
1/4	1725	90	TEFC	48C	2.9	—	D021	8.75
1/4	1725	90	TEFC	56C	2.9	D029	D038	8.75

# Century® Industrial DC Motor Dimensions

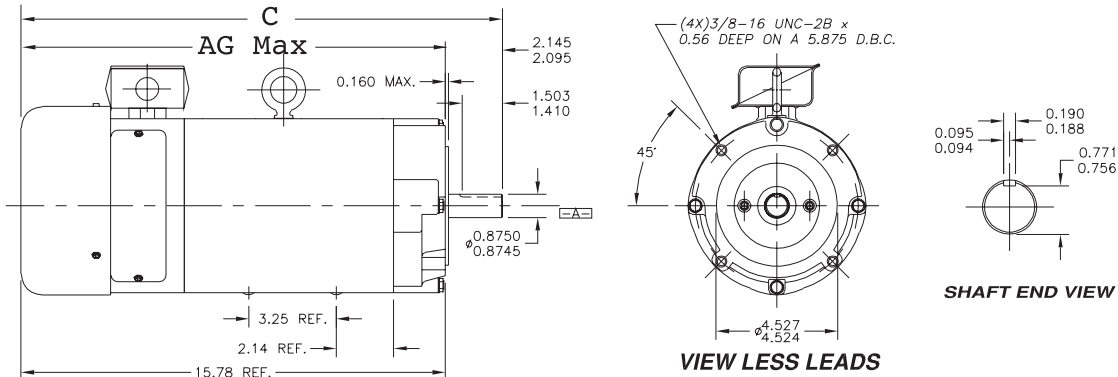


HP	Full Load RPM	Volts DC	Enclosure	NEMA Frame	Full Load Amps	Less Base Stock Number	Rigid Base Stock Number	AG Max.
1/4	1725	90	TENV	56C	2.9	D030	D039*	7.88
1/3	1725	90	TENV	56C	3.5	D031	D040*	8.69
1/3	1725	180	TENV	56C	1.9	D092		8.69
1/2	1725	90	TEFC	56C	5.4	D032	D041*	10.56
1/2	1725	180	TEFC	56C	2.6	D052	D060*	10.56
1/2	1725	90	TENV	56C	5.5	D033	D042*	11.69
1/2	1725	180	TENV	56C	2.8	D068		11.69
1/2	2500	90	TENV	56C	5.7		D066*	8.69
1/2	2500	180	TENV	56C	2.6	D053		
3/4	1725	90	TEFC	56C	8.0	D034	D043*	12.56
3/4	1725	180	TEFC	56C	4.0	D054	D061*	12.56
3/4	2500	90	TEFC	56C	8.1		D059*	10.56
1	1725	90	TEFC	56C	10.0	D035	D044*	14.58
1	1725	180	TEFC	56C	5.0	D055	D062*	14.58
1	2500	90	TEFC	56C	12.0		D076*	13.06
1	2500	180	TEFC	56C	6.1		D073*	13.06

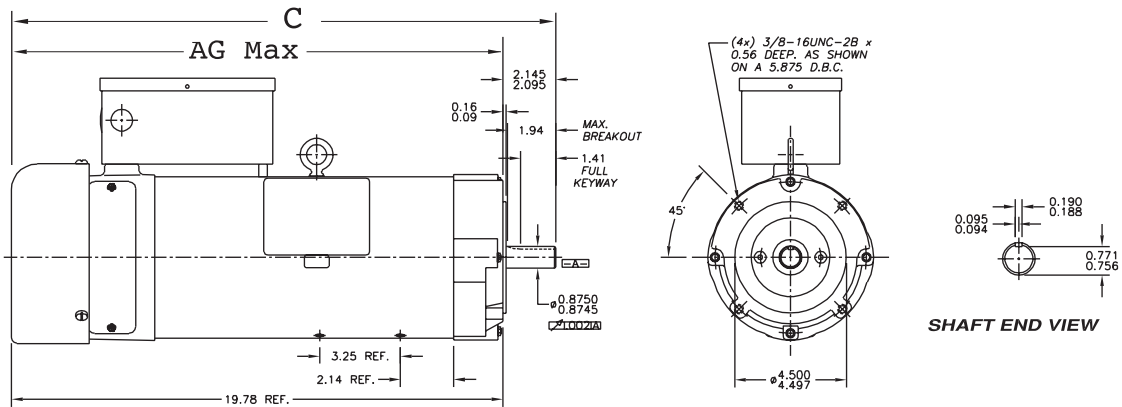
Notes: \* Removable Rigid base

## Dimensions & Ratings

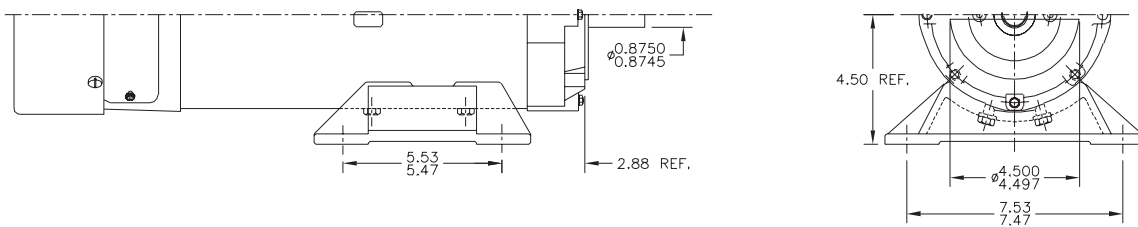
### 6600 Series (D070, D071, D074, D075, D080, D081 and W200 motors only)



### 6600 Series (D072, D082, W201\* and W202\* motors only)



### 184T Base (\*base and shaft dimensions W201 and W202)



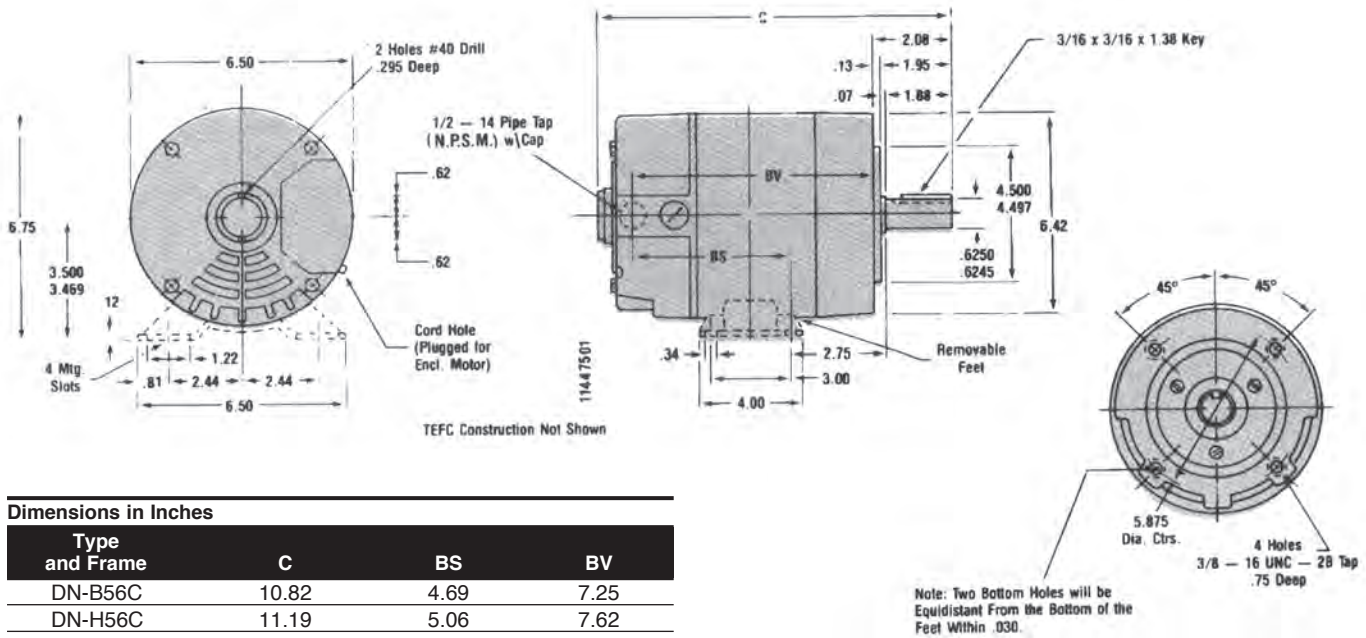
HP	Full Load RPM	Volts DC	Enclosure	NEMA Frame	Full Load Amps	Less Base Stock Number	Rigid Base StockNumber	AG Max.
1-1/2	2500	180	TEFC	143TC/145TC	7.80		D074	14.25
1-1/2	1750	180	TEFC	143TC/145TC	8.00	D070	D080	15.90
2	2500	180	TEFC	143TC/145TC	11.20		D075	15.90
2	1750	180	TEFC	143TC/145TC	10.90	D071	D081	16.90
2	1750	180	TEFC	143TCY/145TCY	10.90		W200 <sup>1</sup>	16.90
3	1750	180	TEFC	143TC/145TC	15.00	D072	D082	19.90
3	1750	180	TEFC	143TCY/145TCY	15.00		W201 <sup>1</sup>	19.90
3	1750	180	TEFC	184TC	15.00		W202	19.90

**Notes:**

<sup>1</sup>184T base, 4.5" shaft height

# Century® Industrial DC Motor Dimensions

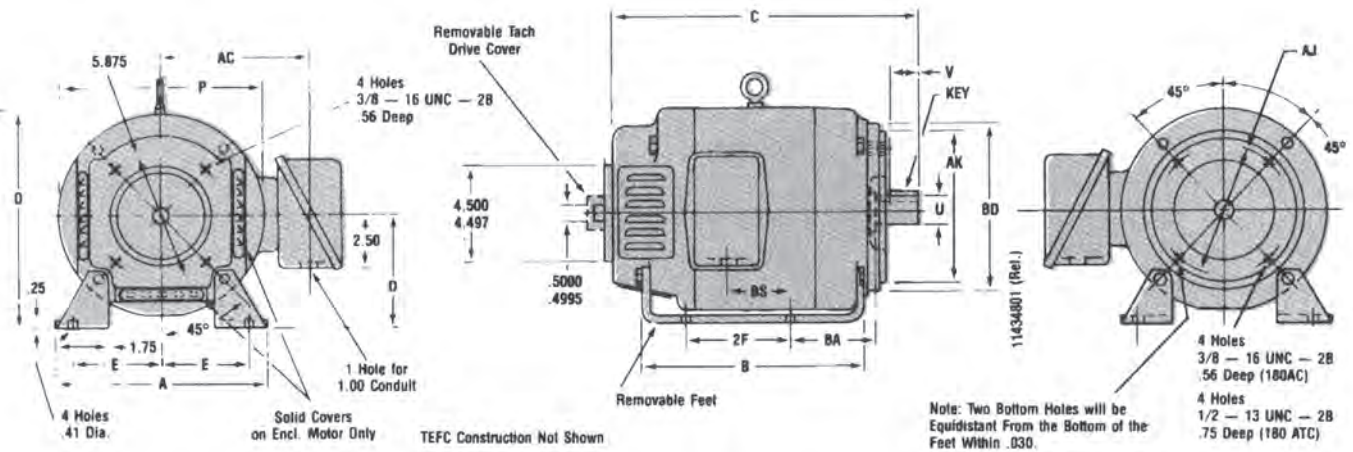
## Direct Current – Wound Field Fractional Horsepower Motors



### Dimensions in Inches

Type and Frame	C	BS	BV
DN-B56C	10.82	4.69	7.25
DN-H56C	11.19	5.06	7.62
DN-J56C	11.69	5.56	8.12
DN-K56C	12.57	6.44	9.00
DN-L56C	13.44	7.31	9.87
DN-M56C	14.34	8.21	10.77

## Direct Current – Wound Field Integral Horsepower Motors



### Dimensions in Inches

Type and Frame	A	B	BA	C	D	E	2F	O	P	U <sup>2</sup>	V <sup>3</sup>	AC	AK	AJ	BD	BS <sup>1</sup>
DN-184AC	8.60	10.70	2.75	15.18	4.50	3.75	5.50	9.00	9.00	.8750	2.00	6.46	4.50	5.875	6.41	4.75
DN-185AC	8.60	11.40	2.75	15.88	4.50	3.75	6.25	9.00	9.00	.8750	2.00	6.46	4.50	5.875	6.41	5.46
DN-187AC	8.60	12.70	2.75	17.18	4.50	3.75	8.00	9.00	9.00	.8750	2.00	6.46	4.50	5.875	6.41	6.75
DN-189AC	8.60	15.70	2.75	20.18	4.50	3.75	10.00	9.00	9.00	.8750	2.00	6.46	4.50	5.875	6.41	9.24

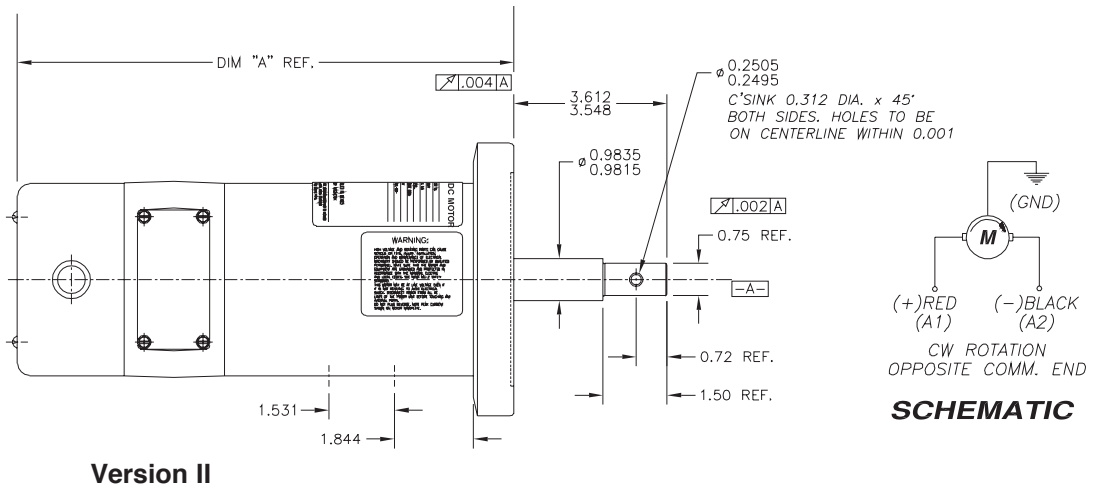
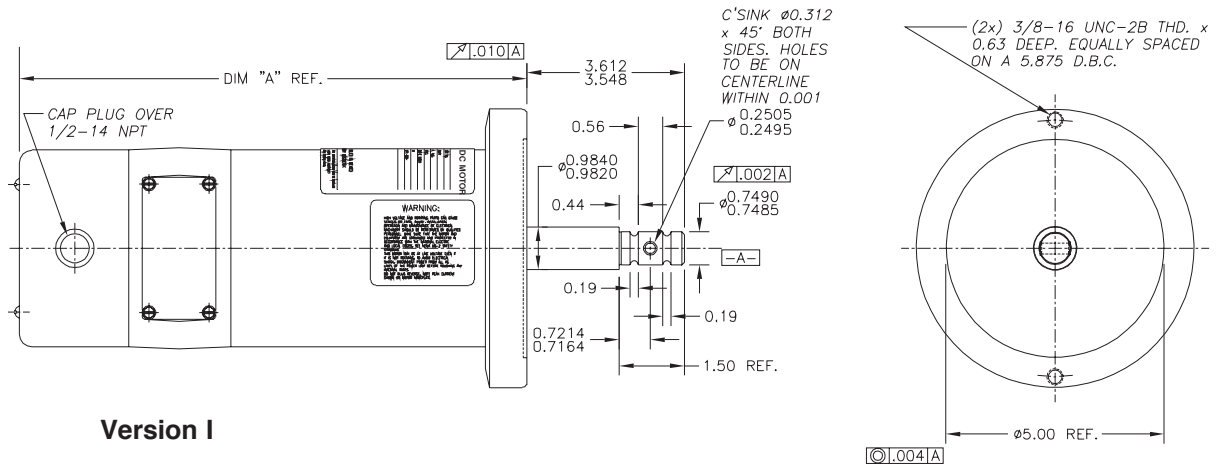
### For Reference Only – Unless Approved for Construction

- Notes:**
- <sup>1</sup> When terminal box is furnished on left or right side, dimensions will be as shown.
  - <sup>2</sup> Shaft extensions are made to limits of +.020 – .030
  - <sup>3</sup> Dimensions "V" represents usable length of shaft

- Tolerances (indicator reading in inches) –
- Face runout: .004
  - Shaft runout: .002
  - Eccentricity of mounting face: .004



## Zero Milk Tank Replacement Motors



Stock No.	Version	Dimension L
D201	II	11.89
D202	II	13.88
D211	I	11.88
D212	I	13.88

**Notes:** Motor leads: red and black #16 AWG, 105°C or better  
 Shaft endplay: with 10 lbs. thrust in either direction, shaft movement shall not exceed .002"

# Index

STOCK NUMBER	PRICE	WT.	PAGE	STOCK NUMBER	PRICE	WT.	PAGE
02	\$216.00	5	33, 126	50	\$242.00	8	38
0427	\$339.00	13	46	52	\$215.00	8	39
0547A	\$367.00	15	95, 110	53	\$205.00	7	39
5BK3072	\$446.00	19	150	54	\$236.00	8	39
5FC1066	\$426.00	19	83	55	\$250.00	9	39
5FC1106	\$725.00	31	86	77	\$197.00	5	34, 113
5FC3076	\$822.00	25	83	78	\$344.00	8	38, 113
5FC3106	\$651.00	30	83	81	\$158.00	4	30
5FE1036S	\$236.00	17	80	84	\$254.00	8	38
5FE1054S	\$354.00	13	81	85	\$254.00	8	38
5FE1056S	\$279.00	17	81	89	\$190.00	11	45
5FE1076S	\$330.00	20	82	90	\$208.00	9	49, 112
5OCA1056	\$483.00	17	100	91	\$167.00	5	36
5OCA3056	\$511.00	19	100	93V1	\$218.00	11	45
7DB6408	\$184.00	11	45	96	\$192.00	5	48
7DB6503	\$301.00	12	47	97	\$356.00	8	38, 112
7DB6504	\$340.00	12	47	98	\$228.00	8	49, 101
7FD1016	\$222.00	10	69	136A	\$327.00	10	59
7FD1024S	\$333.00	13	67	144A	\$333.00	13	57
7FD1026	\$298.00	11	69	146A	\$276.00	10	57
7FD1036	\$275.00	14	69	148A	\$330.00	14	69
7FD1056	\$378.00	18	70	149A	\$363.00	17	70
7FD6000A	\$183.00	16	73	150A	\$414.00	19	71
7FD6001A	\$222.00	16	73	153A	\$262.00	10	57, 113
7FSE1026	\$291.00	16	80	158A	\$403.00	19	78
7FSE1056	\$348.00	19	81	159A	\$540.00	14	78
7RA1016	\$330.00	12	62	160A	\$339.00	15	110
7RA1026	\$350.00	13	63	170B	\$331.00	10	62
7RA1036	\$377.00	15	64	174A	\$333.00	10	99, 102, 111
7RAB4010	\$184.00	11	45	182A	\$192.00	9	79
10	\$150.00	2	33	246	\$136.00	5	15, 16, 17
11	\$98.00	3	33	247	\$139.00	5	15
12	\$138.00	3	19	248	\$137.00	5	15
13	\$147.00	4	19	249	\$137.00	5	15
14	\$85.00	2	30	250	\$171.00	5	15, 18
15	\$85.00	2	30	251	\$171.00	5	15
16	\$72.00	3	32	252	\$178.00	5	15
17	\$72.00	3	32	253	\$178.00	5	15
18	\$73.00	3	30	254	\$171.00	5	15, 16, 17, 18
19	\$73.00	3	30	255	\$171.00	5	15
20	\$73.00	3	32	256	\$178.00	5	15, 17, 18
21	\$73.00	3	32	257	\$178.00	5	15
24	\$127.00	3	34	258	\$191.00	7	15, 16, 18
25	\$127.00	3	34	259	\$197.00	7	15
26	\$78.00	3	30	260	\$197.00	6	15, 16, 17, 18
27	\$78.00	3	30	261	\$197.00	6	15
28	\$68.00	4	30	276	\$197.00	7	15, 16, 18
29	\$68.00	4	30	277	\$215.00	5	15, 16, 17, 18
30	\$68.00	4	31	285	\$214.00	7	15, 16
31	\$68.00	4	31	288	\$230.00	7	15, 16
32	\$80.00	3	30	289	\$223.00	8	15, 16
33	\$80.00	3	30	290	\$424.00	8	15, 16
36	\$93.00	3	30	291	\$208.00	8	15, 17
38	\$156.00	4	36	292	\$222.00	5	15
40	\$139.00	5	36	296	\$234.00	5	15
41	\$139.00	5	36	297	\$230.00	7	15, 17
42	\$94.00	4	31	298	\$287.00	7	15
43	\$94.00	4	31	305	\$251.00	7	38
44	\$168.00	6	38	307	\$108.00	4	34
46	\$222.00	7	38	308	\$99.00	2	30
48	\$222.00	6	38	309	\$274.00	8	38

<b>STOCK NUMBER</b>	<b>PRICE</b>	<b>WT.</b>	<b>PAGE</b>	<b>STOCK NUMBER</b>	<b>PRICE</b>	<b>WT.</b>	<b>PAGE</b>
314	\$127.00	3	33	431	\$124.00	4	32
320	\$211.00	11	45	432	\$163.00	4	32
322	\$227.00	6	39	433	\$492.00	6	29
323	\$231.00	9	41	435A	\$350.00	16	78, 124
323A	\$231.00	10	41	436A	\$349.00	14	77, 124
324	\$142.00	3	33, 126	442B	\$214.00	11	67
326	\$185.00	8	50, 119	442C	\$214.00	11	67, 116
332	\$281.00	9	38, 129	443B	\$222.00	12	67
335	\$193.00	3	28, 119	446A	\$336.00	9	57
341	\$357.00	9	39	447	\$172.00	5	33
342	\$188.00	5	31, 118	452	\$370.00	12	46
345	\$163.00	10	50	452A	\$371.00	11	46
345A	\$163.00	10	49	454A	\$346.00	19	69
346	\$208.00	7	49	458	\$205.00	7	19
347	\$269.00	10	42	459A	\$218.00	9	19
348	\$332.00	13	42	460	\$279.00	11	20
348A	\$345.00	13	42	462	\$114.00	3	30
349	\$182.00	3	28, 101	464	\$240.00	5	21, 113
350	\$166.00	3	33	466	\$263.00	11	43, 132
351	\$194.00	6	36	467A	\$286.00	12	47, 130
356	\$162.00	5	33	469	\$405.00	10	48, 115
357	\$195.00	3	28, 119	472	\$248.00	9	38
359	\$127.00	4	33, 103	474A	\$307.00	14	76
360	\$298.00	10	55	482	\$439.00	20	65
362	\$280.00	11	46	483A	\$380.00	19	71
363	\$292.00	7	39	484	\$240.00	5	38, 113
364	\$247.00	8	39	485	\$340.00	6	52, 131
369	\$208.00	4	30	486A	\$347.00	21	89
370	\$96.00	2	30	492	\$193.00	8	53, 128
371	\$365.00	6	29	493A	\$283.00	10	113
372	\$407.00	10	43, 127	494B	\$248.00	10	57
373	\$466.00	11	43, 127	495B	\$255.00	11	57
374	\$352.00	6	29	496	\$101.00	3	32, 120
377	\$127.00	5	33, 108	509	\$93.00	2	32, 120
378	\$142.00	3	33	510	\$96.00	2	32, 120
379	\$236.00	9	41	512A	\$222.00	4	22, 119
380	\$331.00	10	55	513A	\$311.00	10	99
381	\$250.00	10	46	515	\$291.00	9	54, 106
382	\$367.00	9	43	534	\$113.00	4	31
382A	\$367.00	9	46	535	\$113.00	4	31
383	\$159.00	4	19	537	\$268.00	10	99
385	\$189.00	11	51	540	\$68.00	2	30
389	\$194.00	12	41	541	\$88.00	3	30, 120
389A	\$199.00	9	41	543	\$228.00	6	39, 106
390	\$261.00	12	54	546	\$370.00	11	46
391	\$261.00	12	54	553	\$258.00	4	28
393	\$237.00	9	41	554A	\$311.00	11	79
393A	\$243.00	11	41	559	\$271.00	10	51
394	\$351.00	9	38, 129	562	\$125.00	4	105
396	\$87.00	4	31, 106, 115	563	\$176.00	4	105
398	\$87.00	4	31	566A	\$283.00	15	60
399A	\$301.00	14	108	570	\$298.00	5	28, 98
400	\$142.00	4	32, 119	571	\$296.00	5	28, 98
407	\$289.00	10	39	572A	\$113.00	3	31, 109
408	\$243.00	5	19, 22	573A	\$117.00	5	31, 109
414	\$225.00	4	19	574	\$108.00	3	31, 109
415	\$274.00	8	48	575	\$113.00	4	31, 109
418	\$172.00	6	36	577	\$196.00	6	21, 22, 122
419	\$168.00	5	36	579	\$158.00	4	29, 98
420	\$251.00	7	39	580	\$165.00	5	29, 98
429	\$231.00	11	51	582	\$246.00	3	21, 97, 110

# Index

STOCK NUMBER	PRICE	WT.	PAGE	STOCK NUMBER	PRICE	WT.	PAGE
584	\$293.00	8	49, 103	690	\$325.00	10	110
585	\$293.00	10	50, 103	691	\$233.00	14	118
591	\$232.00	9	42	692	\$95.00	3	32, 120
593	\$305.00	10	50	693	\$95.00	3	32, 120
594A	\$346.00	19	65	730A	\$339.00	12	59
595	\$311.00	9	53, 125	731A	\$363.00	17	60
596	\$301.00	9	43, 125	732A	\$384.00	28	61
597	\$147.00	4	32, 131	733A	\$426.00	19	61
598	\$205.00	9	49	734A	\$345.00	16	60
599	\$357.00	8	48, 94, 128	735	\$138.00	11	76
604	\$215.00	6	40	743A	\$238.00	12	96
606	\$231.00	8	40	744A	\$227.00	13	96
608	\$244.00	8	40	745	\$222.00	10	42, 107
609	\$244.00	8	40	747	\$225.00	10	43, 107
610	\$217.00	7	40	748	\$228.00	9	43, 107
611	\$217.00	7	40	752A	\$259.00	14	66
612A	\$228.00	8	40	753A	\$279.00	17	66
613A	\$228.00	8	40	757	\$132.00	5	33
614	\$230.00	9	40	767A	\$429.00	19	60
615	\$230.00	9	40	768A	\$455.00	18	61
616	\$73.00	2	32	769A	\$481.00	24	61
621	\$179.00	5	120	770	\$237.00	5	22, 132
629A	\$219.00	13	79, 123	771	\$211.00	5	22, 132
632	\$80.00	2	30, 97	774	\$212.00	5	22, 127
633	\$114.00	2	30, 97	775	\$270.00	5	22, 127
634	\$113.00	4	33, 97	776	\$231.00	5	21, 110
636	\$76.00	2	30, 120	778	\$280.00	5	29, 98
637	\$73.00	2	32, 120	781	\$218.00	6	38, 113
638	\$240.00	9	46, 112	782A	\$372.00	14	76
639A	\$211.00	8	112	783A	\$437.00	16	78
640	\$217.00	7	41	785A	\$347.00	16	78
641	\$332.00	10	46, 127	786A	\$423.00	13	77
642	\$344.00	12	47, 128	787A	\$487.00	21	77
643	\$468.00	7	102	788A	\$297.00	15	80
645A	\$258.00	8	110	789A	\$340.00	16	80
647A	\$410.00	20	89	790A	\$350.00	19	81
648A	\$492.00	23	89	791A	\$403.00	22	82
653	\$322.00	5	28, 122	792A	\$384.00	18	78
655	\$385.00	19	100, 132	793	\$351.00	7	38, 131
656	\$183.00	4	103	794A	\$369.00	20	124
657	\$294.00	8	103	795A	\$227.00	12	123
658	\$216.00	4	130	796A	\$246.00	13	124
660	\$321.00	5	28, 98, 122	799	\$261.00	9	53, 129
661A	\$325.00	13	63	800	\$297.00	13	133
665A	\$327.00	13	77	807L	\$371.00	16	134
666A	\$327.00	16	78	815A	\$398.00	17	133
667	\$251.00	9	130	815V2	\$371.00	18	133
668A	\$272.00	23	82	889A	\$352.00	14	137
669	\$376.00	9	52	889V2	\$324.00	16	137
670	\$437.00	10	43	904L	\$375.00	17	133
670A	\$354.00	10	47	906L	\$408.00	22	134
671B	\$137.00	5	35	914L	\$318.00	13	89
672B	\$137.00	5	35	915L	\$415.00	17	89
673	\$214.00	6	22, 110, 122	917L	\$297.00	14	133
674	\$95.00	2	32, 103	919L	\$321.00	13	133
680A	\$475.00	15	128	920L	\$334.00	14	133
683	\$92.00	3	32, 107	921L	\$348.00	14	134
684	\$179.00	11	51	922L	\$362.00	14	134
686	\$184.00	6	48, 103	924L	\$412.00	19	138
688	\$143.00	3	113	925AL	\$412.00	18	138
689	\$206.00	8	119	925L	\$447.00	20	138

STOCK NUMBER	PRICE	WT.	PAGE	STOCK NUMBER	PRICE	WT.	PAGE
927AL	\$421.00	17	138	9405A	\$366.00	18	117
927L	\$428.00	19	138	9406A	\$541.00	23	117
939L	\$408.00	14	92	9407	\$242.00	6	45
941L	\$421.00	13	92	9408	\$295.00	11	43
942	\$215.00	10	54, 120	9409	\$324.00	6	28, 132
945	\$325.00	9	47, 128	9411	\$249.00	4	19
948	\$140.00	2	31	9412	\$279.00	10	20
949	\$139.00	2	30	9413	\$217.00	4	19
950	\$244.00	9	46, 112	9419	\$122.00	3	33
951	\$119.00	3	34	9421V1A	\$451.00	19	66
952	\$315.00	5	46, 127	9422V1A	\$515.00	21	66
953	\$321.00	11	46	9428A	\$651.00	20	83
954	\$315.00	9	52, 127	9430	\$278.00	5	21
955	\$334.00	11	47, 128	9431A	\$291.00	12	66
959	\$363.00	5	21	9432A	\$311.00	12	66
960	\$363.00	5	21	9433A	\$333.00	15	66
961	\$276.00	6	21, 105	9434A	\$378.00	10	66
964	\$208.00	4	29, 116, 128	9435V1A	\$416.00	17	66, 127
965	\$380.00	5	22	9437	\$240.00	4	19
975	\$243.00	6	48, 121	9438	\$286.00	3	22, 122
978	\$334.00	9	55, 126	9442	\$285.00	13	54
979	\$109.00	3	33	9443	\$141.00	5	19
980	\$144.00	4	31	9444	\$137.00	4	22
981	\$275.00	4	35, 126	9445	\$149.00	5	22
982	\$306.00	6	36	9446	\$266.00	4	21
983	\$96.00	1	32	9447	\$282.00	4	22, 127
985	\$99.00	2	30	9448	\$312.00	4	20
986	\$96.00	2	32	9449	\$118.00	3	33
988	\$324.00	4	36	9450	\$233.00	5	36
989	\$167.00	4	22	9451A	\$333.00	12	89
990	\$399.00	5	31, 121	9452A	\$438.00	23	89
991	\$399.00	5	31, 121	9454	\$283.00	4	22
992A	\$424.00	22	109	9455	\$327.00	4	22
993	\$280.00	7	31, 125	9457	\$402.00	5	22
994	\$232.00	5	36	9458	\$293.00	5	21
995	\$215.00	5	36	9459	\$578.00	7	20
997	\$278.00	2	21	945A	\$325.00	9	47
998	\$297.00	3	22	9460	\$162.00	4	19, 20
999	\$246.00	3	22	9461	\$155.00	4	19
3325CCW	\$81.00	3	31, 75	9462	\$173.00	5	19
3325CW	\$81.00	3	31, 75	9465	\$397.00	7	20
9200	\$216.00	8	15	9466	\$366.00	7	20
9207F2	\$176.00	3	13	9467	\$467.00	6	20
9208F2	\$205.00	3	13	9468	\$193.00	5	19
9209H	\$270.00	4	13, 109	9470	\$152.00	5	19
9209L	\$270.00	4	13, 109	9471	\$235.00	4	19
9210H	\$270.00	4	13, 109	9474	\$269.00	11	46
9210L	\$270.00	4	13, 109	9475	\$338.00	12	43
9211	\$211.00	3	13, 17, 111	9476A	\$317.00	13	47
9212	\$176.00	2	13	9477	\$549.00	8	20
9213	\$205.00	2	13	9478	\$379.00	6	20
9214H	\$315.00	3	13, 109	9483	\$244.00	6	19
9214L	\$315.00	3	13, 109	9484	\$372.00	6	116
9215H	\$357.00	5	13, 109	9485	\$423.00	8	116
9215L	\$357.00	5	13, 109	9486	\$324.00	4	20
9216H	\$357.00	5	13, 109	9487	\$275.00	5	34, 126
9216L	\$357.00	5	13, 109	9491	\$362.00	11	20
9336	\$236.00	6	35	9492	\$184.00	5	19
9400	\$317.00	6	33, 118	9493	\$198.00	5	19
9401	\$184.00	6	48, 98	9495	\$221.00	6	21
9403	\$287.00	10	51, 116	9496	\$354.00	7	21, 116

# Index

STOCK NUMBER	PRICE	WT.	PAGE	STOCK NUMBER	PRICE	WT.	PAGE
9523	\$170.00	4	32, 125	9670	\$177.00	9	41
9525	\$450.00	5	29, 132	9671	\$246.00	10	42
9526	\$436.00	6	29, 132	9672	\$214.00	9	41
9600A	\$437.00	19	65	9673	\$183.00	9	45
9605A	\$456.00	18	71	9674	\$232.00	9	45
9608	\$321.00	8	52, 127	9675	\$262.00	11	42
9614	\$256.00	10	43	9676	\$288.00	11	45
9615	\$217.00	8	41	9677	\$300.00	7	45
9616	\$246.00	9	50	9678	\$312.00	8	45
9617	\$236.00	6	48	9681	\$271.00	11	62
9618A	\$331.00	20	95	9682	\$279.00	11	62
9619	\$377.00	6	21, 102	9685	\$299.00	13	62
9620	\$367.00	6	21, 102	9687	\$310.00	15	63
9621	\$375.00	6	21, 103	9688	\$315.00	13	63
9622	\$393.00	6	21, 102	9689	\$169.00	10	42
9623	\$173.00	4	120	9690	\$179.00	9	51
9625	\$236.00	6	31, 98	9694	\$179.00	5	48
9626	\$236.00	6	31, 98	9695	\$176.00	11	51
9627	\$171.00	5	32, 114	9696	\$180.00	11	51
9628	\$171.00	6	32, 114	9699	\$217.00	9	67
9629	\$178.00	4	32, 114	969A	\$537.00	19	89, 112, 125
9630	\$178.00	4	32, 114	9700	\$229.00	13	67
9631	\$153.00	4	31, 114	9701	\$169.00	12	50
9632	\$153.00	5	31, 114	9703	\$219.00	8	49
9633	\$225.00	4	31, 114	9704	\$217.00	11	67
9634	\$225.00	4	31, 114	9705	\$205.00	10	67
9635A	\$322.00	12	62	9706	\$182.00	9	49
9636	\$311.00	13	45	9708	\$219.00	11	52
9637	\$315.00	13	45	9709	\$211.00	9	52
9638	\$267.00	9	50	970A	\$328.00	18	89, 125
9639	\$251.00	9	50	9710	\$223.00	8	52
9640	\$280.00	10	50	9711	\$215.00	9	52
9641	\$231.00	9	53	9712	\$232.00	10	53
9642	\$222.00	12	53	9713	\$219.00	10	53
9643	\$278.00	8	52	9714	\$241.00	12	53
9644	\$241.00	8	53	9715	\$228.00	10	53
9645	\$241.00	10	67	9716	\$258.00	14	54
9646	\$181.00	8	116	9717	\$245.00	12	54
9647	\$227.00	11	66	9718	\$262.00	12	54
9648	\$307.00	15	108	9719	\$248.00	12	54
9649	\$155.00	7	48, 97	9720A	\$119.00	5	31, 109
9650	\$246.00	10	99	9721	\$124.00	5	37, 109
9651	\$288.00	12	128	9722	\$126.00	10	56
9652	\$230.00	13	46	9723	\$141.00	12	56
9653	\$198.00	4	35	9724	\$139.00	11	56
9654	\$205.00	4	35	ARB2024	\$220.00	13	136
9655	\$205.00	3	35	ARB2034	\$241.00	15	136
9656	\$183.00	5	35	ARB2054	\$262.00	17	133
9657	\$183.00	5	35	ARB2014L	\$284.00	14	133
9658	\$183.00	4	35	ARB2014L2	\$280.00	14	133
9659	\$186.00	8	35	ARB2016M	\$330.00	23	133
9660	\$227.00	5	35	ARB2016SLV1	\$335.00	18	133
9661	\$227.00	5	35	ARB2016SV1	\$347.00	19	133
9662	\$231.00	5	35	ARB2024L1	\$351.00	25	138
9663	\$263.00	4	35	ARB2024L2	\$343.00	24	138
9664	\$231.00	5	35	ARB2024L3	\$297.00	16	133
9665	\$242.00	5	35	ARB2024L4	\$288.00	20	133
9666	\$249.00	11	40	ARB2024M	\$344.00	20	133
9667	\$262.00	12	40	ARB2024ML	\$295.00	17	133
9668	\$254.00	15	40	ARB2026SLV1	\$319.00	19	133
9669	\$267.00	10	40	ARB2026SV1	\$331.00	19	133

STOCK NUMBER	PRICE	WT.	PAGE	STOCK NUMBER	PRICE	WT.	PAGE
ARB2034L1	\$350.00	29	138	B583	\$538.00	37	192
ARB2034L2	\$312.00	18	134	B584	\$488.00	31	192
ARB2034L3	\$343.00	29	138	B585	\$512.00	35	192
ARB2034L4	\$330.00	24	134	B586	\$575.00	39	192
ARB2034L5	\$343.00		134	B587	\$481.00	24	192
ARB2034L6	\$321.00	18	134	B588	\$392.00	27	142
ARB2034M	\$352.00	27	134	B589	\$423.00	30	142
ARB2034SV1	\$344.00	24	134	B590	\$304.00	20	141
ARB2036S	\$375.00	28	134	B592	\$621.00	28	192
ARB2036SL	\$362.00	28	134	B593	\$392.00	24	142
ARB2054L1	\$393.00	32	138	B594	\$383.00	24	142
ARB2054L2	\$390.00	24	138	B595	\$531.00		192
ARB2054L3	\$337.00	24	138	B596	\$468.00		192
ARB2054L4	\$328.00	23	138	B597	\$630.00		192
ARS2020L	\$276.00	14	133	B598	\$497.00		192
ARS2050DV1	\$352.00	24	135	B599	\$579.00		192
B116	\$984.00	57	198	B606	\$227.00	21	146
B120	\$246.00	23	198	B606DC	\$237.00	20	146
B121	\$275.00	24	198	B620	\$283.00	24	146
B122	\$315.00	26	198	B621	\$350.00	25	149
B123	\$410.00	33	198	B622	\$294.00	27	146
B124	\$512.00	32	198	B625	\$328.00	27	208
B125	\$695.00	40	198	B638	\$360.00	30	199
B126	\$253.00	22	198	B642	\$378.00	27	142
B127	\$282.00	22	198	B652	\$344.00	24	145
B128	\$321.00	25	198	B653	\$400.00	33	199
B129	\$428.00	32	198	B654	\$400.00	32	199
B130	\$520.00	29	198	B657	\$328.00	29	199
B131	\$704.00	40	198	B658	\$375.00	21	148
B171	\$299.00	18	141	B659	\$417.00	29	148
B172	\$273.00	18	143	B662	\$403.00	22	208
B176	\$604.00	25	181	B663	\$403.00	25	208
B177	\$705.00	34	144, 181	B664	\$390.00	30	149
B177L	\$685.00	36	144, 181	B666	\$284.00	20	190
B178	\$828.00	35	144, 181	B667	\$412.00	26	208
B179	\$952.00	46	181	B668	\$412.00	24	208
B180	\$960.00	52	181	B671	\$429.00	27	144
B182	\$978.00	42	181	B672	\$384.00	26	145
B183	\$299.00	19	148	B674	\$480.00	33	149
B220	\$284.00	22	190	B679	\$417.00	40	148
B221	\$287.00	29	190	B685	\$353.00	18	182
B222	\$338.00	31	190	B695	\$500.00	32	149
B236	\$592.00	46	206	B696	\$636.00	36	149
B237	\$492.00	22	206	B697	\$747.00	40	149
B238	\$567.00	41	206	B698	\$535.00	32	148
B381	\$423.00	27	182	B699	\$535.00	49	148
B382	\$994.00	48	148, 181	B701	\$412.00	28	142
B383	\$476.00	30	182	B702	\$449.00	29	144
B384	\$761.00	50	182	B703	\$449.00	30	142
B385	\$504.00	37	182	B722L	\$535.00	37	142
B386	\$732.00	47	182	B734	\$606.00	39	144
B387	\$932.00	53	182	B735	\$1,024.00	34	144
B412	\$339.00	22	149	B753	\$499.00	32	145
B416	\$269.00	19	145	B762	\$612.00	35	149
B417	\$363.00	24	148	B764	\$619.00	35	145
B418	\$363.00	24	148	B765	\$508.00	38	146
B420	\$327.00	24	148	B779	\$449.00	28	142
B472	\$215.00	18	146	B793	\$485.00	34	147
B513	\$292.00	21	145	B794	\$597.00	34	147
B519	\$359.00	25	147	B795	\$466.00	32	199
B582	\$477.00	36	192	B796	\$473.00	36	199

# Index

STOCK NUMBER	PRICE	WT.	PAGE	STOCK NUMBER	PRICE	WT.	PAGE
B799	\$523.00	35	142	B2858	\$435.00	35	203
B808	\$596.00	39	199	B2859	\$435.00	36	203
B809	\$605.00	40	199	B2973	\$428.00	28	200
B813	\$721.00	45	182	B2973T	\$716.00		193
B817	\$695.00	40	199	B2975	\$448.00	32	200
B818	\$704.00	40	199	B2975T	\$735.00		193
B835	\$491.00	37	198	B2979	\$637.00	36	200
B836	\$520.00	37	198	B2979T	\$924.00		193
B837	\$897.00	34	142	B2980	\$426.00	31	204
B845	\$312.00	20	203	B2980T	\$727.00	30	193
B849	\$439.00	32	203	B2981	\$426.00	32	204
B855	\$439.00	33	203	B2981T	\$727.00	33	193
B860	\$725.00	36	145, 181	B2982	\$450.00	34	204
B861	\$790.00	43	148, 181	B2982T	\$751.00	36	193
B867	\$886.00	36	181	B2983	\$524.00	38	204
B868	\$1,010.00	48	181	B2983T	\$825.00	43	193
B869	\$615.00	50	181	B2984	\$657.00	37	204
B870	\$599.00	25	145, 181	B2984T	\$957.00	43	193
B871	\$637.00	33	148, 181	B2987	\$716.00		204
B888	\$367.00	28	148, 183	B6411	\$189.00	9	49
B889	\$426.00	26	148, 183	B6415	\$231.00	11	51
B890	\$487.00	38	148, 183	B6507	\$243.00	11	53
B891	\$612.00	21	148, 183	B6507V1	\$243.00	9	53
B892	\$738.00	42	148, 183	B6520	\$261.00	11	54
B966	\$728.00	41	200	B6520V1	\$261.00	12	54
B966T	\$1,015.00	43	193	BD1106	\$383.00	20	71
B969	\$537.00	35	200	BDH1024	\$352.00	14	67
B970	\$440.00	24	200	BDH1036	\$337.00	15	68
B971	\$450.00	26	200	BDH1054	\$412.00	19	68
B972	\$454.00	25	200	BDH1076	\$486.00	19	68
B973	\$428.00	26	200	BDH1106	\$474.00	22	71
B974	\$468.00	32	200	BDL1106	\$378.00	21	71
B976	\$585.00	32	200	BF1032	\$339.00	16	141
B977	\$508.00	33	200	BF1052	\$344.00	17	141
B978	\$762.00	36	200	BF1052V1	\$344.00	18	141
B985	\$621.00	37	204	BF1072	\$375.00	20	142
B1000	\$880.00	48	209	BF1102	\$454.00	23	142
B2232	\$364.00	26	206	BF2006L	\$296.00	16	133
B2233	\$410.00	29	206	BF2008	\$527.00	23	133
B2234	\$452.00	34	206	BF20086V1	\$289.00	17	133
B2235	\$453.00	38	206	BF2024	\$283.00	14	133
B2242	\$431.00	36	206	BF2034	\$301.00	15	134
B227SE	\$253.00	24	198	BF2034B	\$235.00	16	134
B228SE	\$282.00	26	198	BF2054	\$360.00	18	135
B229SE	\$321.00	25	198	BF2054V1	\$360.00	16	135
B230SE	\$428.00	34	198	BF2056D	\$374.00	30	135
B231SE	\$520.00	29	198	BG128A	\$589.00	26	195
B2661	\$344.00	28	203	BG129A	\$726.00	35	195
B2748	\$535.00	33	203	BG130A	\$842.00	32	195
B2840	\$535.00	31	203	BG131A	\$1,138.00	39	195
B2841	\$371.00	31	203	BG2844A	\$1,072.00	40	195
B2841V1	\$371.00		203	BG748A	\$866.00	33	195
B2842	\$477.00	35	203	BG848A	\$640.00	29	195
B2843	\$578.00	37	203	BG853A	\$562.00	28	195
B2844	\$662.00	37	203	BG854A	\$640.00	29	195
B2846	\$258.00	23	203	BG855A	\$738.00	31	195
B2847	\$295.00		203	BGF2014L	\$346.00	16	138
B2848	\$342.00		203	BK1052	\$349.00	18	141
B2852	\$246.00	21	203	BK1054	\$407.00	21	141
B2853	\$282.00	25	203	BK1072	\$375.00	21	142
B2854	\$326.00	29	203	BK1102	\$454.00	24	142



STOCK NUMBER	PRICE	WT.	PAGE	STOCK NUMBER	PRICE	WT.	PAGE
BK3054V1	\$456.00	22	150	C033	\$838.00	27	90
BK3074	\$503.00	22	150	C034	\$1,106.00	45	90
BK3102	\$487.00	22	150	C035	\$1,215.00	45	90
BK3202L	\$602.00	36	151	C036	\$1,215.00	53	90
BL6407	\$186.00	9	101	C039A	\$399.00	21	184
BL6408	\$176.00	9	101	C042A	\$267.00	19	184
BL6409	\$170.00	9	101	C043A	\$311.00	20	184
BL6410	\$176.00	9	49	C044A	\$382.00	24	184
BL6411	\$166.00	9	49	C045A	\$289.00	16	184
BL6412	\$163.00	9	50	C046A	\$311.00	18	184
BL6413	\$203.00	9	51	C047A	\$352.00	23	184
BL6414	\$189.00	11	51	C048	\$511.00	33	184
BL6416	\$271.00	11	51	C051	\$398.00	18	146
BL6419	\$188.00	9	50	C052	\$426.00	23	146
BL6420	\$179.00	9	50	C053	\$543.00	27	146
BL6423	\$208.00	7	49	C054	\$658.00	27	146
BL6424	\$208.00	7	49	C055	\$693.00	35	146
BL6425	\$235.00	9	48	C058	\$1,151.00	47	144
BL6505	\$241.00	10	53	C059A	\$308.00	16	184
BL6505V1	\$241.00	10	53	C060	\$386.00	31	142
BL6519	\$261.00	11	54	C061	\$551.00	26	148
BL6519V1	\$261.00	8	54	C062	\$634.00	31	148
BL6530	\$254.00	11	54	C081	\$581.00	42	84
BL6531	\$261.00	11	51	C01316	\$43.00	2	10
BL6532	\$251.00	9	48	C01322	\$105.00	1	10
BL6533	\$212.00	10	50	C01323	\$46.00	2	10
BL6534	\$271.00	12	51	C01326	\$60.00	1	10
BL6541	\$168.00	9	53	C01329	\$68.00	3	10
BLR6401	\$207.00	12	51	C01330	\$62.00	1	10
BLR6402	\$152.00	8	49	C01332	\$72.00	2	11
BLR6403	\$176.00	8	49	C01333	\$59.00	0	11
BLR6404	\$183.00	11	51	C01334	\$47.00	2	11
BLR6405	\$178.00	5	48	C01336	\$50.00	1	11
BLR6406	\$171.00	9	48	C01337	\$70.00	1	11
BLR6407	\$171.00	7	48	C01375	\$38.00	3	10
BLR640S	\$172.00	10	51	C01550	\$36.00	1	9
BN23V1	\$209.00	13	205	C01551	\$48.00	3	9
BN24V1	\$219.00	18	205	C01552	\$43.00	2	9
BN25V1	\$241.00	18	205	C01553	\$41.00	3	9
BN34V1	\$383.00	27	205	C01554	\$47.00	0	9
BN35SS	\$282.00	24	205	C01555	\$38.00	1	9
BN35V1	\$282.00	20	205	C01574	\$85.00	2	11
BN36	\$270.00	23	205	C01575	\$40.00	3	9
BN37V1	\$286.00	25	205	C01611	\$63.00	2	9
BN40SS	\$341.00	34	205	C01670	\$38.00	2	10
BN50V1	\$398.00	27	205	C01671	\$29.00	2	10
BN51	\$426.00	29	205	C01672	\$47.00	2	10
BN61	\$486.00	30	205	C01673	\$51.00	2	10
BN62	\$531.00	32	205	C01675	\$61.00	2	10
BN63	\$544.00	33	205	C01677	\$42.00	2	9
BR052000	\$55.00	2	9	C01678	\$40.00	1	10
BR0675	\$56.00	2	9	C01679	\$41.00	2	10
BR3202L	\$719.00	35	160	C01680	\$51.00	2	10
BV35V1	\$280.00	22	205	C01682	\$47.00	2	10
BV90	\$243.00	16	208	C01683	\$43.00	1	10
BV91	\$243.00	16	208	C01684	\$52.00	1	10
C024	\$658.00	37	106	C01691	\$63.00	1	9
C026	\$515.00	24	149	C01692	\$63.00	1	9
C027	\$593.00	29	149	C01700	\$46.00	2	10
C031	\$1,106.00	40	90	C102L	\$408.00	15	143
C032A	\$851.00	16	90	C105L	\$398.00	15	141

# Index

STOCK NUMBER	PRICE	WT.	PAGE	STOCK NUMBER	PRICE	WT.	PAGE
C109L	\$389.00	15	143	C331	\$384.00	30	191
C150L	\$408.00	22	149	C332	\$470.00	32	191
C151L	\$426.00	18	149	C333	\$535.00	36	191
C153L	\$410.00	19	147	C335	\$515.00	27	145
C155	\$447.00	25	147	C337	\$562.00	28	186
C157L	\$371.00	14	143	C338	\$595.00	36	186
C187	\$463.00	27	143	C339	\$641.00	35	186
C196L	\$379.00	15	141	C340	\$736.00	45	191
C198L	\$403.00	20	149	C341	\$906.00	38	142
C199	\$379.00	17	143	C342	\$808.00	38	142
C202	\$556.00	25	143	C343	\$808.00	45	142
C208	\$508.00	27	147	C344	\$840.00	35	148
C209	\$648.00	32	147	C345	\$368.00		191
C210	\$883.00	32	144, 181	C346	\$420.00		191
C213	\$976.00	47	148, 181	C347	\$489.00		191
C215	\$931.00	42	145, 181	C348	\$556.00		191
C218	\$820.00	49	144, 181	C349	\$765.00		191
C220	\$430.00	27	149	C403	\$375.00	23	141
C222	\$369.00	25	143	C412V1	\$385.00	26	141
C223	\$435.00	26	149	C420	\$737.00	33	143
C224	\$379.00	21	143	C426V1	\$448.00	34	142
C225	\$457.00	26	149	C435	\$838.00	30	138
C226	\$393.00	22	141	C445	\$624.00	33	145
C231	\$591.00	29	141	C446	\$599.00	28	145
C233	\$644.00	29	92	C448	\$856.00	29	138
C235	\$396.00	25	145	C455	\$362.00	22	141
C238	\$897.00	43	142	C457	\$354.00	21	143
C239	\$864.00	42	142	C460	\$540.00	25	143
C240	\$487.00	24	92	C461	\$550.00	27	141
C241	\$487.00	24	92	C471	\$991.00	37	138
C242	\$487.00	25	92	C471A	\$919.00	37	138
C243	\$646.00	21	92	C472	\$1,009.00	36	138
C244	\$644.00	26	92	C472A	\$933.00	31	138
C245	\$721.00	35	92	C472V1	\$918.00	36	138
C246	\$721.00	33	92	C490	\$834.00	41	84
C247	\$721.00	22	92	C506	\$741.00	40	145
C248	\$791.00	42	92	C507	\$798.00	43	147
C249	\$507.00	28	92	C508	\$774.00	40	145
C250	\$535.00	32	92	C512V1	\$551.00	31	84
C308	\$467.00	24	143	C513V1	\$546.00	30	84
C309	\$474.00	24	141	C520	\$620.00	33	149
C310	\$318.00	27	187	C521	\$529.00	29	149
C310C	\$352.00	29	187	C523V1	\$509.00	32	142
C311	\$353.00	28	187	C524	\$511.00	31	142
C311C	\$388.00	28	187	C526	\$650.00	33	143
C312	\$417.00	32	187	C527	\$659.00	34	142
C312C	\$453.00	34	187	C530	\$644.00	35	145
C313	\$460.00	36	187	C532	\$758.00	31	138
C313C	\$494.00	38	187	C533	\$982.00	33	138
C314	\$564.00	28	187	C534V1	\$919.00	32	138
C314C	\$598.00	44	187	C535	\$684.00	30	138
C315	\$487.00	25	145	C536	\$707.00	29	138
C316	\$580.00	29	145	C537	\$982.00	33	138
C317V1	\$564.00	32	191	C538	\$989.00	36	138
C319	\$650.00	48	187	C580	\$403.00	30	185
C320	\$426.00	24	143	C581	\$493.00	35	185
C322	\$785.00	35	149	C582	\$554.00	39	185
C323	\$515.00	25	143	C585	\$638.00	32	88
C324	\$847.00	33	143	C586	\$749.00	30	88
C325	\$391.00	25	143	C588	\$422.00	33	185
C330	\$351.00	27	191	C593	\$504.00	38	185

STOCK NUMBER	PRICE	WT.	PAGE	STOCK NUMBER	PRICE	WT.	PAGE
C594	\$475.00	38	185	C786	\$601.00	44	84
C595	\$771.00	43	185	C802	\$715.00	42	149
C596	\$693.00	35	185	C823	\$540.00	26	148, 183
C597	\$693.00	35	185	C824	\$447.00	29	148, 183
C598	\$771.00	45	185	C825	\$643.00	31	148, 183
C607	\$396.00	24	141	C826	\$527.00	19	148, 183
C608	\$389.00	22	143	C827	\$803.00	35	148, 183
C612	\$478.00	28	149	C828	\$620.00	32	148, 183
C613	\$515.00	28	149	C829	\$1,001.00	37	148, 183
C620	\$663.00	37	149	C830	\$671.00	25	148, 183
C621	\$641.00	41	142	C831	\$772.00	42	148, 183
C630	\$418.00	36	143	C832	\$966.00	32	148, 183
C634	\$393.00	26	141	C907	\$529.00	27	147
C635	\$496.00	26	145	C916	\$624.00	31	147
C639	\$474.00	27	143	C926	\$695.00	35	147
C645	\$369.00	23	143	CB2024AD	\$231.00	16	222
C654	\$465.00	26	142	CB2024ADV1	\$230.00		222
C655	\$476.00	25	143	CB2024AV1	\$195.00	12	222
C658	\$488.00	25	143	CB2034A	\$173.00	14	222
C660V1	\$643.00	36	84	CB2034AD	\$222.00	15	222
C661V1	\$496.00	32	84	CB2034ADRB	\$223.00		222
C662	\$792.00	32	86, 115	CB2034ADV1	\$226.00		222
C663	\$823.00	39	86, 118	CB2034ARB	\$173.00		222
C664	\$430.00	25	149	CB2034AV1	\$173.00		222
C665	\$572.00	28	145	CB2054AD	\$272.00	18	222
C666	\$461.00	28	142	CB2054ADV1	\$274.00		222
C669	\$572.00	33	149	CBH2024A	\$230.00		222
C671	\$609.00	33	149	CBR216	\$37.00	1	9
C678V1	\$684.00	30	138	CK1052	\$328.00	22	196
C682	\$542.00	31	144	CK1072	\$360.00	25	196
C683	\$634.00	34	149	CK1102	\$400.00	27	196
C685	\$650.00	37	149	CP1072L	\$385.00	24	182
C686	\$778.00	45	149	CP1102L	\$428.00	26	182
C688	\$634.00	39	144	CP1152L	\$446.00	32	182
C689	\$609.00	40	144	CP1202L	\$481.00	33	182
C690	\$383.00	25	141	CP1302L	\$563.00	33	182
C691	\$453.00	27	142	CP1502L	\$721.00	44	182
C692	\$593.00	32	142	CP1502LV1	\$529.00	38	182
C693	\$734.00	44	149	CS89	\$354.00	11	44
C695	\$504.00	35	144	CS1056	\$530.00	14	70
C720A	\$374.00	14	88	CS1106	\$630.00	20	70
C721A	\$395.00	15	88	CSL1056	\$530.00	14	70
C722A	\$389.00	16	88	CSL1106	\$630.00	20	70
C723A	\$407.00	20	88	CT1052	\$328.00	23	196
C723V1A	\$426.00	20	88	CT1072	\$360.00	25	196
C724A	\$472.00	16	88	CT1102	\$400.00	27	196
C741V1	\$888.00	34	138	D002	\$1,086.00	23	227
C742V1	\$906.00	34	138	D003	\$1,497.00	33	227
C766	\$618.00	30	142	D004	\$1,874.00	45	227
C770	\$569.00	35	84	D005	\$1,053.00	20	227
C770V1	\$522.00	35	84	D006	\$456.00	9	227
C771	\$650.00	46	84	D007	\$456.00	11	227
C774	\$558.00	38	144	D008	\$921.00	13	227
C775	\$661.00	35	144, 181	D009	\$901.00	13	227
C776	\$791.00	36	145, 181	D014	\$606.00	11	229, 251
C777	\$852.00	44	148, 181	D016	\$655.00	13	229, 251
C782	\$505.00	39	185	D019	\$562.00	11	229, 251
C782RB	\$505.00		185	D020	\$599.00	11	229, 251
C783	\$745.00	44	184	D021	\$667.00	12	229, 251
C784	\$576.00	36	84	D027	\$552.00	11	229, 251
C785	\$522.00	40	84	D029	\$674.00	13	229, 251

# Index

STOCK NUMBER	PRICE	WT.	PAGE	STOCK NUMBER	PRICE	WT.	PAGE
D030	\$733.00	17	229, 252	D753	\$2,357.00	34	230
D031	\$774.00	19	229, 252	D757	\$2,569.00	38	230
D032	\$808.00	23	229, 252	D759	\$4,268.00	83	230
D033	\$873.00	29	229, 252	D760	\$4,855.00	100	230
D034	\$1,058.00	29	229, 252	D904	\$908.00	21	230
D035	\$1,273.00	36	229, 252	D906	\$976.00	26	230
D036	\$562.00	11	229, 251	D908	\$1,062.00	33	230
D038	\$693.00	12	229, 251	D909	\$1,261.00	32	230
D039	\$756.00	17	229, 252	D910	\$1,303.00	45	230
D040	\$798.00	20	229, 252	D912	\$1,917.00	51	230
D041	\$830.00	24	229, 252	D0002	\$153.00	11	72
D042	\$894.00	31	229, 252	D0004	\$159.00	14	72
D043	\$1,081.00	30	229, 252	D0006	\$192.00	15	72
D044	\$1,294.00	36	229, 252	D0008	\$217.00	18	72
D052	\$808.00	18	229, 252	D1026	\$154.00	11	72
D053	\$774.00	24	229, 252	D1036	\$158.00	13	72
D054	\$1,058.00	31	229, 252	D1056	\$191.00	15	72
D055	\$1,273.00	36	229, 252	D1076	\$221.00	18	72
D059	\$925.00	25	229, 252	DB4405	\$215.00	12	45
D060	\$830.00	23	229, 252	DB4505	\$285.00	12	47
D061	\$1,081.00	32	229, 252	DB6407	\$251.00	11	45
D062	\$1,294.00	36	229, 252	DB64072	\$242.00	11	45
D066	\$798.00	24	214, 252	DB6502V1	\$251.00	14	46
D068	\$873.00	30	229, 252	DB6503	\$285.00	11	47
D070	\$2,337.00	71	229, 252	DB6504	\$337.00	12	47
D071	\$2,870.00	77	229, 252	DB6525	\$345.00	14	47
D072	\$3,514.00	132	229, 252	DB6525V1	\$349.00	15	47
D073	\$1,081.00	35	229, 252	DBL4404	\$242.00	12	45
D074	\$2,328.00	75	229, 252	DBL4410	\$229.00	12	45
D075	\$2,408.00	72	229, 252	DBL4411	\$233.00	11	45
D076	\$1,081.00	30	229, 252	DBL4412	\$221.00	12	45
D080	\$2,408.00	72	229, 252	DBL4500V1	\$247.00	15	46
D081	\$2,941.00	79	229, 252	DBL6406	\$278.00	11	45
D082	\$3,579.00	106	229, 252	DBL64062	\$268.00	11	45
D090	\$566.00	15	227	DBL6409	\$190.00	11	45
D092	\$774.00	20	229, 252	DBL6409NB	\$177.00	12	42
D201	\$1,215.00	30	192, 255	DBL6501	\$280.00	14	46
D202	\$1,672.00	36	192, 255	DBL6501V1	\$281.00	12	46
D203	\$901.00	15	226	DBL6503	\$291.00	14	47
D204	\$999.00	20	226	DBL6524	\$348.00	15	47
D205	\$1,088.00	27	226	DBL6524V1	\$352.00	15	47
D206	\$1,088.00	23	226	DC4001	\$257.00	13	43
D207	\$1,319.00	28	226	DC4522	\$256.00	11	43
D208	\$1,319.00	30	226	DCA4522	\$217.00	13	43, 107
D209	\$1,528.00	35	226	DCL4421	\$236.00	11	42
D210	\$1,528.00	38	226	DCL4422	\$222.00	11	42
D211	\$1,254.00	32	192, 255	DCL4423	\$271.00	12	45
D212	\$1,709.00	37	192, 255	DL001	\$150.00	12	72
D303	\$2,050.00	25	228	DL003	\$154.00	12	72
D306	\$1,928.00	54	228	DL005	\$188.00	16	72
D307	\$2,482.00	38	228	DL007	\$197.00	19	72
D308	\$2,339.00	40	228	DL1026	\$150.00	11	72
D312	\$3,432.00	44	228	DL1036	\$152.00	13	72
D552	\$1,044.00	27	230	DL1056	\$183.00	15	72
D708	\$1,062.00	33	230	DL1076	\$219.00	19	72
D710	\$1,303.00	47	230	DLR10236	\$185.00	14	69
D711	\$1,856.00	46	230	DLR1026	\$179.00	11	69
D712	\$1,917.00	54	230	DLR1026S	\$147.00	11	67
D750	\$1,884.00	22	230	DSB1016	\$275.00	15	62
D751	\$1,993.00	12	230	DSB1016H	\$282.00	15	62
D752	\$2,106.00	28	230	DSB1016HR	\$388.00	11	62

STOCK NUMBER	PRICE	WT.	PAGE	STOCK NUMBER	PRICE	WT.	PAGE
DSB1016R	\$383.00	14	62	E451	\$2,121.00	243	162, 189
DSB1024	\$313.00	15	63	E452	\$2,628.00	263	163
DSB1024H	\$320.00	13	63	E454V1	\$1,599.00	164	162
DSB1026	\$295.00	15	63	E456	\$1,951.00	207	163
DSB1026H	\$301.00	14	63	E482E	\$1,651.00	288	218
DSB1034H	\$304.00	15	64	E483E	\$1,651.00	198	218
DSB1036H	\$332.00	18	64	E488E	\$1,993.00	198	218
DSB1056H	\$370.00	18	65	E489E	\$1,993.00	198	218
E104L	\$493.00	40	160	E491E	\$2,018.00	198	218
E118E	\$563.00		217	E492E	\$2,018.00	218	218
E124	\$530.00	46	169	E494	\$2,350.00	243	163
E125	\$562.00	45	169	E495	\$2,862.00	261	163
E125L	\$562.00	44	169	E496	\$2,055.00	240	162
E127	\$530.00	45	169	E497	\$2,406.00	300	162
E157E	\$452.00		217	E511	\$2,625.00	380	162
E159E	\$530.00	45	217	E513	\$2,749.00	160	163
E172E	\$530.00		217	E514	\$2,749.00	308	163, 189
E175	\$403.00	41	217	E515V2	\$3,391.00	301	163
E179	\$534.00	39	217	E516V2	\$3,391.00	365	163, 189
E180	\$727.00	30	225	E545	\$2,318.00	244	163
E180L	\$727.00	30	225	E547	\$5,586.00	282	163
E181L	\$663.00	26	225	E584	\$3,399.00	270	163
E182	\$550.00	22	225	E585	\$4,395.00	369	164
E182L	\$550.00	24	225	E586M	\$2,926.00	133	162
E183L	\$531.00	20	225	E607R	\$3,817.00	394	164
E185	\$856.00	28	225	E608R	\$3,470.00	367	164
E186	\$927.00	30	225	E923	\$708.00	85	161
E187	\$952.00	24	225	E924	\$744.00	85	161
E202M	\$598.00	63	161	E925	\$1,098.00	116	162
E203M	\$649.00	73	161	E926	\$1,461.00	124	162
E204	\$907.00	104	161	E927	\$2,121.00	222	162
E205	\$1,086.00	101	162	E928	\$2,628.00	254	163
E206	\$889.00	77	160	E929	\$2,749.00	290	163
E207V1	\$1,075.00	91	160	E930V1	\$3,550.00	303	163
E216V1	\$708.00	76	161	E1008	\$519.00	50	160
E217V1	\$708.00	74	161	E1010	\$583.00	36	160
E218	\$744.00	72	161	E1026L	\$702.00	41	155
E219	\$744.00	75	161, 189	E1028	\$847.00	37	155
E237	\$2,204.00	87	225	E2004	\$885.00	72	158
E297	\$630.00	56	218	E2005	\$1,196.00	94	158
E302M	\$904.00	90	162	E2006	\$962.00	80	158
E303	\$1,085.00	108	162	E2008	\$1,509.00	90	158
E316	\$1,098.00	107	162	EC1054A	\$527.00	24	147
E317	\$1,098.00	123	162, 189	EC1054AV1	\$527.00	29	147
E325	\$1,085.00	108	162	EC1074A	\$628.00	32	147
E331	\$1,461.00	124	162	EC1074AL	\$628.00	47	147
E368E	\$1,030.00	126	218	ECM27CU	\$1,318.00	41	194
E369E	\$1,030.00	129	218	ECM27SQU	\$1,309.00	41	194
E371ME	\$1,050.00	129	218	EL2002	\$139.00	10	91
E372ME	\$1,050.00	213	218	EL2002V1	\$132.00	10	91
E374E	\$1,223.00	143	218	EL2004V1	\$166.00	9	91
E375E	\$1,223.00	143	218	EL2005	\$145.00	10	91
E377E	\$1,359.00	156	218	EL2012	\$176.00	13	91
E378E	\$1,359.00	214	218	EL2014V1	\$169.00	11	91
E392	\$1,631.00	130	162	EL2022	\$182.00	18	91
E393	\$2,161.00	149	162	EL2024	\$229.00	16	91
E394	\$1,261.00	147	161	EL2034	\$211.00	28	91
E395	\$1,577.00	120	161	F246	\$513.00	28	138
E397	\$1,461.00	131	162, 189	F252	\$513.00	24	140
E407	\$2,628.00	267	163, 189	F260	\$797.00	23	90
E450	\$2,121.00	220	162	F261	\$1,025.00	24	90

# Index

STOCK NUMBER	PRICE	WT.	PAGE	STOCK NUMBER	PRICE	WT.	PAGE
F262	\$528.00	23	140	FB1076V1	\$555.00	27	86
F263	\$660.00	28	140	FB1106	\$671.00	30	86
F264	\$694.00	23	90	FB1106TE	\$658.00	31	86
F265	\$694.00	27	90	FB1156TE	\$610.00	22	86
F266	\$570.00	25	90	FB3056	\$463.00	21	86
F267	\$591.00	22	90	FB3154	\$525.00	26	101
F268	\$797.00	20	90	FC1046F	\$341.00	15	83
F269	\$1,025.00	17	90	FC1066AF	\$384.00	19	83
F270	\$382.00	19	140	FC1066F	\$384.00	18	83
F271	\$425.00	18	140	FC1086AF	\$535.00	26	83
F273	\$547.00	25	140	FC1086F	\$535.00	31	83
F274	\$916.00	31	140	FC1106F	\$567.00	32	83
F276	\$957.00	34	140	FC1156	\$651.00	31	83
F340	\$494.00	24	133	FC3056F	\$502.00	19	83
F341	\$604.00	27	133	FC3076F	\$577.00	24	83
F344V1	\$286.00	17	134	FC3106F	\$747.00	32	83
F352	\$433.00	28	135	FC3107	\$757.00	29	83
F352V1	\$398.00	25	135	FC3156F	\$817.00	31	83
F353	\$599.00	33	135	FD1024	\$278.00	12	69
F387	\$525.00	26	138	FD1026	\$180.00	12	69
F390	\$430.00	24	138	FD1034	\$301.00	13	69
F391	\$533.00	32	138	FD1036	\$190.00	14	69
F392	\$235.00	13	140	FD1054	\$327.00	17	70
F393	\$407.00	17	140	FD1056	\$225.00	18	70
F393L	\$407.00	22	140	FD1074	\$354.00	19	71
F394	\$247.00	15	140	FD1076	\$308.00	18	71
F395	\$463.00	24	140	FD6000	\$196.00	16	74, 124
F396L	\$389.00	16	140	FD6000A	\$196.00	16	73
F500L	\$333.00	21	185	FD6001	\$237.00	16	74
F501	\$325.00	24	185	FD6001A	\$237.00	16	73
F502	\$274.00	25	185	FDL1016	\$163.00	11	69
F505	\$403.00	24	135	FDL1024	\$271.00	12	69
F661	\$391.00	25	137	FDL1026	\$178.00	11	69
F670	\$377.00	25	135	FDL1034	\$288.00	13	69
F670A	\$347.00	25	135	FDL1036	\$185.00	14	69
F671	\$377.00	24	135	FDL1054	\$321.00	19	70
F674	\$501.00	26	138	FDL1056	\$220.00	17	70
F675	\$379.00	24	135	FDL1074	\$398.00	19	71
F678	\$383.00	24	135	FDL1076	\$268.00	19	71
F680	\$488.00	29	135	FDL1076V1	\$291.00	19	71
F681	\$483.00	31	135	FDL6001	\$192.00	16	74
F683	\$371.00	25	184	FDL6001A	\$192.00	16	73, 124
F684	\$487.00	27	184	FDL6002	\$230.00	16	74
F1018S	\$253.00	12	76	FDL6002A	\$230.00	16	73
F1026	\$305.00	12	76	FE1008SF	\$214.00	11	79
F1026S	\$212.00	12	76	FE1008SV1	\$255.00	10	79
F1028S	\$264.00	14	76	FE1016SF	\$156.00	11	79
F1036	\$318.00	15	77	FE1018SF	\$233.00	11	79
F1036S	\$224.00	14	77	FE1026	\$339.00	13	80
F1038	\$337.00	18	77	FE1026SF	\$160.00	13	79
F1056	\$351.00	17	77	FE1028SF	\$246.00	15	79
F1056S	\$244.00	16	77	FE1036	\$354.00	16	80
F1058	\$416.00	17	77	FE1036SF	\$171.00	16	80
F1076	\$423.00	18	78	FE1038SF	\$286.00	15	80
F1076A	\$433.00	19	78	FE1056	\$392.00	18	81
F1076S	\$276.00	18	78	FE1056SF	\$190.00	18	80
F1076SV1	\$254.00	21	78	FE1058SF	\$343.00	15	80
F1106	\$422.00	22	78	FE1076	\$276.00	21	82
FB1056	\$412.00	22	86	FE1076SF	\$231.00	18	81
FB1056TE	\$416.00	21	86	FE6000F	\$182.00	16	73, 124
FB1076	\$567.00	27	86	FE6001F	\$246.00	17	73

STOCK NUMBER	PRICE	WT.	PAGE	STOCK NUMBER	PRICE	WT.	PAGE
FE6002F	\$231.00	17	73	FSE1056SV1	\$167.00	18	80
FE6003F	\$292.00	20	73	FSE1058SF	\$318.00	17	80
FE6004F	\$268.00	21	73	FSE1076SF	\$214.00	18	82
FEH001	\$322.00	18	81	FSE1076SV1	\$204.00	18	82
FEH1026SF	\$294.00	13	80	FSE6000	\$172.00	16	74
FEH1028S	\$299.00	14	79	FSP4006	\$256.00	9	58
FEH1036SF	\$336.00	15	80	FSP4006S	\$228.00	9	58
FEH1056D	\$340.00	19	81	FSP4016	\$272.00	10	58
FEH1056S	\$350.00	19	100	FSP4016H	\$278.00	9	58
FEH1056SF	\$346.00	19	81	FSP4016S	\$233.00	9	58
FEH1076	\$470.00	21	82	FSP4026	\$241.00	12	58
FEH1076D	\$389.00	21	82	FSP4026H	\$248.00	11	58
FEH1076SF	\$398.00	21	82	FSP4026S	\$235.00	12	58
FH1024	\$372.00	13	76	FSP4026SH	\$215.00	11	58
FH1036	\$326.00	18	77	FY1106V1	\$522.00	32	84
FH1038	\$423.00	17	77	FY3106	\$718.00	35	85
FH1054	\$437.00	16	78	FY3156	\$777.00	38	85
FH1056	\$422.00	20	78	GF2014	\$214.00	11	133
FH1056S	\$309.00	20	78	GF2020L	\$186.00	12	133
FH1076	\$474.00	20	78	GF2024	\$175.00	13	133
FL1038	\$305.00	16	77	GF2024D	\$279.00	14	133
FM1026	\$275.00	12	66	GF2031L	\$234.00	12	134
FM1036	\$292.00	13	66	GF2034	\$189.00	15	134
FM1056	\$327.00	17	66	GF2034D	\$310.00	15	134
FM1076	\$418.00	19	66	GF2035	\$294.00	15	134
FML1026	\$259.00	14	66	GF2038	\$274.00	14	134
FML1036	\$253.00	16	66	GF2054	\$241.00	18	135
FML1056	\$310.00	16	66	GF2054D	\$402.00	17	135
FML1076V1	\$413.00	20	66	GK2054	\$333.00	17	135
FR1076	\$521.00	27	86	GK2074	\$466.00	21	135
FR1106	\$619.00	30	86	GK2104DV1	\$596.00	25	135
FS1016	\$235.00	10	76	H021	\$515.00	21	157
FS1018	\$271.00	12	76	H024	\$566.00	26	157
FS1024S	\$292.00	11	76	H025	\$599.00	24	157
FS1026	\$247.00	12	76	H026	\$614.00	25	157
FS1026S	\$138.00	11	76	H027	\$618.00	28	157
FS1028	\$307.00	15	76	H028	\$632.00	28	157
FS1036	\$255.00	16	77	H031	\$592.00	23	153
FS1036S	\$133.00	14	77	H035	\$645.00	36	153
FS1037S	\$128.00	13	77	H041	\$319.00	24	190
FS1038	\$319.00	18	77	H042	\$338.00	28	190
FS1056	\$291.00	18	77	H043	\$410.00	17	157
FS1056S	\$160.00	15	77	H043L	\$410.00	20	157
FS1076S	\$196.00	17	78	H044	\$505.00	19	157
FSE1008SF	\$198.00	12	78	H044L	\$505.00	20	157
FSE1016	\$227.00	11	79	H045A	\$562.00	21	157
FSE1016SF	\$144.00	11	79	H046	\$573.00	24	157
FSE1016SV1	\$138.00	11	79	H046L	\$573.00	28	157
FSE1018SF	\$216.00	12	79	H047L	\$632.00	29	157
FSE1024	\$330.00	13	80	H061L	\$440.00	21	153
FSE1026	\$233.00	13	80	H062L	\$511.00	27	153
FSE1026SF	\$149.00	13	79	H063L	\$557.00	26	153
FSE1026SV1	\$141.00	13	79	H064L	\$592.00	33	153
FSE1028SF	\$228.00	13	79	H137	\$296.00	16	216
FSE1036	\$281.00	16	80	H155	\$282.00	28	216
FSE1036SF	\$158.00	16	80	H157V1	\$402.00	20	153
FSE1036SV1	\$151.00	17	80	H158L	\$393.00	24	157
FSE1038SF	\$264.00	15	80	H159L	\$440.00	21	153
FSE1054	\$377.00	18	81	H181L	\$599.00	34	160
FSE1056	\$325.00	19	81	H191	\$330.00	17	216
FSE1056SF	\$176.00	18	81	H192	\$354.00	19	216

# Index

STOCK NUMBER	PRICE	WT.	PAGE	STOCK NUMBER	PRICE	WT.	PAGE
H193	\$414.00	26	216	H473	\$352.00	19	153
H194	\$468.00	30	216	H476	\$382.00	23	157
H195	\$575.00	31	216	H477	\$375.00	20	157
H196	\$682.00	34	216	H491	\$337.00	21	213
H197	\$783.00	39	216	H492	\$367.00	25	213
H198	\$298.00	18	216	H505	\$447.00	28	168
H201A	\$357.00	15	168	H506	\$357.00	24	216
H204	\$515.00	20	159	H508	\$306.00	25	157, 216
H205	\$533.00	21	168	H511	\$349.00	27	157, 216
H238	\$339.00	17	168	H513	\$392.00	27	213
H247	\$308.00	29	216	H514	\$397.00	27	213
H248	\$321.00	19	216	H515	\$424.00	26	216
H249	\$634.00	28	168	H516	\$479.00	28	216
H251	\$298.00	16	157, 216	H517	\$469.00	30	168
H254	\$275.00	19	157, 216	H518L	\$630.00	44	161
H256L	\$511.00	24	153	H524L	\$535.00	30	168
H257	\$557.00	18	153	H525L	\$535.00	0	168
H257L	\$557.00	0	153	H526	\$641.00	32	159
H258L	\$519.00	25	157	H528	\$658.00	35	168
H259	\$343.00	17	216	H530	\$562.00	31	169
H261A	\$386.00	17	168	H531	\$559.00	29	151
H262L	\$364.00	19	159	H534L	\$547.00	28	160
H262V2	\$345.00	21	150	H535L	\$595.00	34	169
H263L	\$401.00	22	168	H536L	\$508.00	35	151
H264A	\$409.00	17	150	H537	\$654.00	34	169
H267	\$503.00	24	159	H538	\$658.00	32	151
H268	\$577.00	22	168	H539L	\$630.00	42	161
H271	\$359.00	19	168	H563	\$420.00	27	153
H273L	\$414.00	22	159	H564	\$486.00	27	85
H274V1	\$472.00	24	168	H567	\$535.00	26	85
H275V2	\$358.00	28	150	H580L	\$515.00	27	168
H276	\$472.00	24	168	H581A	\$463.00	21	159
H276L	\$472.00	22	168	H582V2	\$410.00	22	150
H279	\$572.00	25	159	H583	\$404.00	24	157
H280	\$634.00	26	168	H584	\$399.00	24	157
H281	\$308.00	21	213	H585A	\$517.00	21	157
H282	\$318.00	22	213	H592	\$524.00	30	216
H283	\$367.00	19	216	H593	\$551.00	30	216
H284	\$305.00	18	157	H602	\$423.00	24	159
H285	\$305.00	19	157	H607	\$457.00	27	216
H286	\$336.00	19	157	H609	\$450.00	26	157, 216
H288	\$323.00	16	153	H612	\$593.00	32	158, 216
H298	\$367.00	23	216	H614L	\$492.00	26	159
H299	\$378.00	24	216	H615V2	\$427.00	25	150
H358	\$459.00	18	157	H616	\$505.00	31	213
H358L	\$459.00	21	157	H617	\$515.00	31	213
H377	\$380.00	23	159	H628	\$636.00	31	216
H379A	\$507.00	21	157	H629	\$659.00	33	216
H428	\$423.00	26	216	H633	\$462.00	28	153
H429	\$434.00	27	216	H635	\$413.00	28	213
H437	\$312.00	19	159	H636	\$524.00	31	213
H438	\$319.00	18	157	H637	\$635.00	37	213
H446	\$309.00	20	216	H655V1	\$698.00	22	139
H448	\$410.00	30	168	H656V1	\$698.00	22	139
H449	\$401.00	24	150	H657v1	\$763.00		139
H450	\$341.00	25	213	H658V1	\$762.00	25	139
H451	\$348.00	27	213	H661	\$597.00	31	216
H461L	\$531.00	33	168	H662	\$535.00	26	157
H464	\$456.00	24	150	H663	\$514.00	27	157
H467	\$586.00	29	159	H667	\$558.00	34	85
H468	\$645.00	31	168	H671	\$575.00	32	85



STOCK NUMBER	PRICE	WT.	PAGE	STOCK NUMBER	PRICE	WT.	PAGE
H685	\$809.00	34	86	H931L	\$622.00	35	153
H686	\$752.00	32	85, 168	H940	\$506.00	25	150
H688L	\$437.00	25	168	H940V1	\$506.00	25	150
H696	\$718.00	34	85	H941	\$558.00	28	150
H697	\$777.00	39	85	H941L	\$558.00	28	150
H698	\$841.00	44	85	H942	\$570.00	29	150
H699	\$615.00	44	85	H942L	\$570.00	32	150
H703L	\$679.00	44	153	H943V1	\$630.00	31	151
H704	\$575.00	36	213	H944	\$585.00	28	151
H705	\$586.00	35	213	H946L	\$550.00	25	93
H706	\$706.00	30	216	H947L	\$550.00	24	93
H707	\$829.00	40	216	H948	\$623.00	25	153, 216
H710	\$636.00	30	158	H949	\$731.00	40	155
H710L	\$636.00		158	H950	\$498.00	27	150
H711	\$579.00	34	158	H951V1	\$643.00	32	160
H712	\$612.00	32	158	H952	\$692.00	35	151
H713	\$736.00	33	216	H953V1	\$708.00	31	160
H714	\$783.00	25	216	H954	\$782.00	37	151
H717V1	\$783.00	25	139	H955L	\$721.00		161
H718V1	\$783.00	25	139	H956	\$931.00	44	161
H733	\$547.00	34	216	H957L	\$460.00	36	150
H734	\$628.00	33	216	H958	\$515.00	22	150
H736	\$663.00	31	158, 216	H958L	\$515.00	23	150
H738	\$676.00	46	170	H959L	\$465.00	26	150
H740	\$696.00	37	213	H960	\$630.00	33	151
H741	\$706.00	36	213	H960V1	\$630.00	32	151
H742	\$664.00	33	158	H961	\$586.00	33	85
H743	\$723.00	33	158	H962	\$717.00	32	85
H751	\$528.00	31	153	H963	\$661.00	35	85
H753	\$610.00	34	153	H964	\$752.00	32	86
H755	\$684.00	35	209, 213	H965V1	\$622.00	32	160
H756	\$585.00	31	160	H966	\$424.00	28	216
H757	\$788.00	35	161	H967	\$479.00	32	216
H767	\$585.00	34	85	H968	\$597.00	32	216
H768	\$596.00	33	86	H969	\$706.00	35	216
H803	\$696.00	39	154	H970	\$829.00	41	216
H840	\$378.00	21	150	H977	\$509.00	25	85
H841V1	\$423.00	24	150	H978	\$1,178.00	44	101
H842V1	\$476.00	27	150	H979	\$1,579.00	53	101
H843V1	\$559.00	33	151	H979L	\$1,579.00		101
H844	\$630.00	34	151	H980L	\$1,270.00	45	101
H845	\$782.00	38	151	H982	\$515.00	22	93
H847	\$931.00	44	161	H982V1	\$515.00	49	93
H850L	\$506.00	22	150	H983	\$515.00	19	93
H851V2	\$479.00	24	150	H983V1	\$515.00	22	93
H852L	\$533.00	27	150	H984	\$550.00	20	93
H853V2	\$526.00	30	151	H984L	\$550.00	25	93
H854L	\$656.00	39	151	H985L	\$550.00	25	93
H855L	\$669.00	44	151	H986	\$648.00	26	93
H868L	\$480.00	36	168	H986L	\$648.00	28	93
H869L	\$529.00	25	168	H987	\$683.00	25	93
H880L	\$496.00	23	159	H987L	\$683.00		93
H881	\$550.00	22	159	H988	\$763.00	42	93
H882L	\$560.00	22	159	H988L	\$763.00		93
H883L	\$570.00	27	159	H991L	\$414.00	20	159
H884L	\$634.00	29	160	H992L	\$463.00	22	159
H885L	\$643.00	29	160	H993L	\$492.00	25	159
H886L	\$708.00	37	160	H995	\$786.00	44	209
H887L	\$769.00	43	161	H1000	\$566.00	22	155, 183
H921L	\$576.00	31	153	H1001	\$341.00	26	155, 183
H930L	\$570.00	28	157	H1002L	\$451.00	24	155, 183

# Index

STOCK NUMBER	PRICE	WT.	PAGE	STOCK NUMBER	PRICE	WT.	PAGE
H1003	\$595.00	28	155, 183	HSQ1152	\$499.00	36	211
H1004	\$361.00	24	155, 183	HSQ1202	\$557.00	38	211
H1005	\$508.00	28	155, 183	HSQ1302	\$606.00	46	211
H1006	\$648.00	30	155, 183	HSQ1502	\$655.00	46	211
H1007	\$428.00	26	155, 183	HW2004L	\$261.00	12	92
H1008L	\$552.00	27	155, 183	HW20084BL	\$263.00	14	92
H1009	\$669.00	31	155, 183	HW20084L	\$180.00	11	92
H1010	\$476.00	32	155, 183	HW2014B1L	\$272.00	30	92
H1011L	\$570.00	31	155, 183	HW2014BL	\$272.00	15	92
H1012	\$714.00	36	155, 183	HW2014L	\$261.00	12	92
H1013	\$592.00	32	155, 183	HW2014V1L	\$276.00	12	92
H1014L	\$618.00	34	155, 183	HW2024B1L	\$279.00	16	92
H1015	\$679.00	36	155, 183	HW2024BL	\$337.00	19	92
H1016L	\$671.00	43	155, 183	HW2034BL	\$350.00	17	92
H1017	\$727.00	34	155, 183	J504	\$204.00	3	27
H1022	\$643.00	35	151	J507	\$244.00	3	27
H1022V1	\$643.00	35	151	J510	\$284.00	5	27
H1025A	\$251.00	17	152	J513	\$250.00	5	27
H1026	\$324.00	15	152	J571	\$137.00	2	27
H1027A	\$289.00	17	152	J572	\$140.00	2	27
H1028	\$347.00	27	152	J573	\$261.00	2	27
H1029	\$372.00	27	152	J591	\$172.00	3	27
H1030L	\$413.00	28	152	J592	\$176.00	2	27
H1031	\$424.00	27	150	K100	\$655.00	37	149
H1031L	\$424.00	30	150	K101	\$537.00	43	149
H1032	\$676.00	37	169	K102	\$420.00	38	188
H1032L	\$676.00	47	169	K102C	\$482.00	28	188
H1034V1	\$569.00	48	151	K103	\$526.00	42	188
H1035L	\$569.00	34	151	K103C	\$589.00	42	188
H1038E	\$631.00		151	K104	\$537.00	43	187
H1039L	\$656.00	50	151	K107	\$1,099.00	46	147
H1040	\$522.00	27	168	K108	\$1,014.00	38	147
H1041L	\$400.00	21	93	K112	\$518.00	39	190
H1042L	\$423.00	21	93	K115	\$894.00	42	147
H1043	\$442.00	28	93	K116	\$518.00	44	190
H1043L	\$442.00	25	93	K117	\$483.00	34	190
H1044	\$518.00	33	93	K118	\$546.00	36	190
H1044L	\$518.00	20	93	K119	\$721.00	50	187
H1045	\$566.00	36	160	K200	\$821.00	76	149
H1045L	\$566.00	25	160	K203	\$885.00	83	149
H1046	\$377.00	17	93	K204	\$876.00	78	188
H1046L	\$377.00	32	93	K205	\$1,057.00	93	188
H1047L	\$399.00	22	93	K205C	\$1,151.00	93	188
H1048L	\$417.00	25	93	K208	\$1,174.00	108	188
H1049	\$489.00	33	93	K208C	\$1,268.00	108	188
H1049V1	\$489.00	31	93	K209	\$1,438.00	89	148
H1050A	\$529.00	29	85	K213	\$821.00	72	187
H1050RB	\$529.00	29	85	K214	\$885.00	84	187
H1051A	\$579.00	38	85	K215	\$1,153.00	102	187
H1051RB	\$579.00	38	85	K220	\$1,011.00	84	190
H1052A	\$631.00	45	85	K221	\$1,110.00	91	190
H1052RB	\$631.00	45	85	K222	\$1,280.00	98	149
H1053A	\$713.00	44	85	K223	\$1,474.00	155	149
H1053RB	\$713.00	44	85	K236	\$1,488.00	118	190
H1054A	\$752.00	47	85	K300	\$1,377.00	147	188
H1054RB	\$752.00	47	85	K301	\$1,636.00	147	188
H1055A	\$460.00		85	K301C	\$1,751.00	131	188
H1056A	\$508.00		85	K302	\$2,008.00	151	188
HSQ1052	\$367.00	28	211	K302C	\$2,124.00	146	188
HSQ1072	\$409.00	31	211	K302V1	\$2,008.00		188
HSQ1102	\$447.00	33	211	K304	\$1,275.00	118	149

STOCK NUMBER	PRICE	WT.	PAGE	STOCK NUMBER	PRICE	WT.	PAGE
K305	\$1,558.00	138	149	M415	\$4,558.00	195	180
K307	\$1,898.00	214	148	M421	\$4,169.00	196	179
K310	\$1,275.00	109	187	M422	\$5,209.00	170	180
K311	\$1,558.00	154	187	M423	\$5,049.00	254	179
K312	\$1,912.00	154	187	M424	\$4,172.00	208	178
K313	\$1,912.00	141	149	M425	\$3,411.00	244	178
K314	\$2,326.00	118	149	M504	\$6,916.00	274	179
K315	\$2,852.00	126	149	M506	\$4,916.00	274	178
K321	\$1,692.00	138	190	M511	\$6,916.00	277	180
K320	\$1,463.00	125	190	M512	\$7,810.00	273	180
K327	\$1,956.00	146	190	M513	\$7,073.00	269	178
K1030	\$201.00	15	214	M514	\$10,733.00	296	179
K1032	\$201.00	16	214	M515	\$7,253.00	308	179
K1024LD	\$351.00	12	145	M520	\$4,172.00	272	178
K1034LV1	\$410.00	19	145	M521	\$5,049.00	272	179
K1050	\$228.00	17	214	M522	\$6,916.00	290	179
K1052	\$228.00	18	214	N148E	\$554.00	39	219
K1070	\$267.00	19	214	N149E	\$492.00	46	219
K1072	\$267.00	21	214	N149L	\$507.00	38	219
K1100	\$297.00	22	214	N153E	\$654.00	46	219
K1102	\$297.00	22	214	N157E	\$709.00	44	219
K1150	\$405.00	30	214	N161E	\$649.00	49	219
K1152	\$405.00	27	214	N218	\$930.00	78	188
K1200	\$472.00	30	214	N220	\$1,066.00	78	188
K1202	\$472.00	30	214	N313	\$1,570.00	158	220
K3072	\$318.00	18	212	N320	\$1,231.00	93	188
K3102	\$362.00	20	212	OAD1016	\$223.00	15	94
K3152	\$467.00	26	212	OAD1106	\$500.00	20	94
K3202	\$531.00	27	212	OAM10088	\$178.00	9	95
M104	\$1,345.00	32	179	OAM1018	\$198.00	13	95
M104V1	\$1,345.00	33	179	OAN010	\$335.00	15	94
M109V1	\$1,111.00	27	179	OAN140	\$505.00	23	94
M116V1	\$945.00	25	178	OAN460	\$366.00	28	94
M120V1	\$983.00	29	178	OAN470	\$321.00	11	94
M125V1	\$1,345.00	35	179	OAN747	\$514.00	27	94
M126	\$945.00	26	178	OAN1076	\$366.00	19	94
M126V1	\$945.00	25	178	OAN1076V1	\$366.00	28	94
M127V1	\$983.00	28	178	OAS40056	\$238.00	14	95
M128L	\$1,141.00	15	178	OB1024	\$326.00	15	143
M206	\$1,230.00	59	178	OB1104AV1	\$504.00	33	144
M207	\$1,553.00	60	179	OB1104AV2	\$542.00	31	144
M208	\$1,820.00	72	179	OB1204AL	\$796.00	46	144
M210	\$1,480.00	61	180	OB2024	\$244.00	11	137
M211	\$1,820.00	69	180	OB2024L	\$266.00	12	137
M220	\$1,553.00	66	179	OB3075	\$463.00	20	159
M221	\$1,820.00	71	179	OB3104	\$492.00	21	159
M222	\$1,230.00	62	178	OB3154	\$547.00	27	160
M223	\$1,481.00	70	178	OB3204	\$599.00	31	160
M302	\$1,481.00	71	178	OB3204V1	\$535.00	33	160
M305	\$2,506.00	110	179	OBG2004	\$283.00	12	92
M312	\$2,127.00	85	178	OBK6002V1	\$141.00	7	91
M313	\$2,403.00	101	178	OBR40016	\$141.00	8	97
M314	\$2,506.00	116	180	OBR40066	\$130.00	6	97
M315	\$3,302.00	124	179	OBR40086	\$136.00	6	97
M316	\$3,302.00	150	180	OCA1014	\$218.00	9	99
M317	\$3,302.00	160	179	OCA1016	\$233.00	9	99, 123
M320	\$2,506.00	110	179	OCA1024	\$250.00	9	99
M321	\$2,127.00	85	178	OCA1026	\$237.00	12	99
M322	\$2,403.00	96	178	OCA1036	\$346.00	13	100
M412	\$3,411.00	192	178	OCA1056	\$522.00	21	100
M413	\$4,169.00	192	179	OCA3074	\$488.00	21	100

# Index

STOCK NUMBER	PRICE	WT.	PAGE	STOCK NUMBER	PRICE	WT.	PAGE
OCA3076	\$675.00	27	100	OLE1036H	\$260.00	13	117
OCA3076H	\$680.00	27	100	OLE1038	\$337.00	18	117
OCA6427	\$183.00	10	99	OLE1038V1	\$337.00	18	117
OCA10086	\$229.00	9	98	OLE1106	\$619.00	24	117
OCA10106	\$230.00	11	98	OLE1106H	\$619.00	25	117
OCA10206A	\$268.00	11	99	OLG1036	\$317.00	13	117
OCA10208	\$229.00	12	99	OLM6151	\$240.00	7	118
OCB1026A	\$267.00	17	99	OMC6517	\$233.00	12	118
OCB1036A	\$227.00	13	100	OML6418	\$185.00	9	119
OCB1056	\$322.00	17	100	OML6433	\$197.00	10	119
OCB4036SP	\$267.00	14	58, 100	OML6435	\$193.00	10	119, 120
OCB6427	\$202.00	11	99	OMM1026	\$238.00	16	99, 101
OCC1056	\$314.00	17	100	OMM1036	\$254.00	13	100, 101
OCD1056	\$385.00	19	100	ONR6026	\$215.00	11	120
OCE1036	\$203.00	12	100	ONR6406	\$220.00	9	120
OCF1036	\$208.00	13	100	OPV343	\$179.00	4	121
OCP0108	\$311.00	15	102	OPV346	\$212.00	8	121
OCP0250	\$340.00	12	54, 102	OPV746	\$184.00	6	121
OCP0251	\$296.00	18	53, 102	OPV747	\$289.00	10	121
OCP1024	\$285.00	12	102	OPV748	\$295.00	10	121
OCT1026S	\$167.00	11	99	OPV400206	\$203.00	5	121
ODN1036A	\$291.00	13	103	ORM1006	\$234.00	10	122
OEK4509	\$304.00	11	103	ORM1008	\$201.00	10	122
OEK4510	\$314.00	11	103	ORM1008V1	\$221.00	9	122
OEV1006	\$201.00	8	105	ORM1016	\$169.00	10	123
OEV1026	\$238.00	12	105	ORM1016V1	\$153.00	9	123
OEV6016	\$217.00	11	105	ORM10206V1	\$168.00	10	123
OFC1004	\$206.00	10	107	ORM1026	\$186.00	11	123
OFC1024	\$225.00	11	107	ORM1026L	\$193.00	13	123
OFE1016	\$305.00	11	106	ORM1028	\$286.00	12	123
OFE1034	\$314.00	15	106	ORM1036	\$195.00	14	124
OFE4536	\$250.00	9	106	ORM1036V1	\$188.00	13	124
OFE5001	\$178.00	9	106	ORM1038	\$335.00	13	124
OFR1016	\$390.00	11	108	ORM1056	\$248.00	14	124
OFR1036	\$319.00	17	108	ORM10563	\$238.00	18	124
OGD1016	\$145.00	9	108	ORM1058	\$393.00	15	124
OGD1026	\$149.00	11	108	ORM1076	\$369.00	19	124
OHQ1056	\$437.00	19	110	ORM4658BF	\$261.00	13	75
OHR1106	\$570.00	18	110	ORM4659BF	\$331.00	19	75
OHS1004	\$289.00	11	59, 111	ORM4688BF	\$327.00	17	75
OHS1016	\$326.00	13	60, 111	ORM5454BF	\$137.00	11	75
OHS10206	\$286.00	12	67, 111	ORM5454F	\$126.00	11	75
OHS9983	\$338.00	14	111	ORM5458	\$153.00	12	75, 124
OKA1052	\$260.00	20	96	ORM5458B	\$162.00	12	75
OKA1072	\$328.00	23	96	ORM5458BF	\$169.00	12	75
OKB1038	\$422.00	15	96	ORM5458F	\$160.00	12	75
OKB1058	\$421.00	18	96	ORM5459BF	\$173.00	17	75
OKR1096	\$570.00	25	85, 114	ORM5484BF	\$158.00	12	75
OKR1503	\$743.00	34	85, 114	ORM5484F	\$146.00	12	75
OKT1026	\$250.00	16	60, 115	ORM5488	\$184.00	16	75
OKT3035	\$280.00	15	115	ORM5488B	\$196.00	15	75
OKT3041	\$307.00	21	115	ORM5488BF	\$206.00	16	75
OL1032D	\$234.00	20	91	ORM5488F	\$193.00	16	75
OL1052DS	\$244.00	23	91	ORM5489BF	\$221.00	18	75
OL1072D	\$280.00	20	91	ORV4537	\$206.00	9	125
OL2002	\$157.00	11	91	ORV4538	\$202.00	9	125
OL2032	\$234.00	18	91	ORV4539	\$216.00	11	125
OL2034	\$215.00	18	91	ORV4540	\$208.00	11	125
OL2052D	\$244.00	18	91	OS2014LA	\$168.00	12	137
OLE1026	\$278.00	9	116	OS2024L	\$171.00	12	137
OLE1036A	\$258.00	13	117	OS2031L	\$196.00	14	137

STOCK NUMBER	PRICE	WT.	PAGE	STOCK NUMBER	PRICE	WT.	PAGE
OS2050	\$218.00	18	137	PD6104AV3	\$505.00	40	186
OS2074	\$232.00	20	137	Q1032	\$212.00	19	215
OSR1026	\$346.00	12	125	Q1052	\$238.00	18	215
OTA2004	\$186.00	9	92	Q1072	\$281.00	23	215
OTC1862	\$264.00	11	126	Q1072ES	\$374.00	21	210
OTC1864	\$282.00	11	126	Q1102	\$311.00	27	215
OTC6001	\$172.00	8	126	Q1102ES	\$413.00	26	210
OTC6004	\$165.00	7	126	Q1152	\$436.00	31	215
OTEB2054A	\$295.00	17	87	Q1152ES	\$575.00	29	210
OTR1004	\$190.00	11	128	Q1202	\$490.00	33	215
OTR1028	\$229.00	14	128	Q3052	\$337.00	19	212
OTR1036	\$317.00	14	128	Q3072	\$367.00	18	212
OTR4513	\$193.00	8	128	Q3102	\$413.00	23	212
OTR10206	\$281.00	11	128	Q3152	\$524.00	26	212
OTY1024	\$301.00	15	129	Q3202	\$635.00	32	212
OWR1016	\$243.00	10	131	Q3302V1	\$684.00	33	212
OWR1036	\$183.00	12	131	QC1052	\$312.00	24	201
OWW4514	\$305.00	10	130	QC1072	\$344.00	25	201
OWW4515	\$334.00	13	130	QC1102	\$371.00	31	201
OWW4517	\$279.00	14	47, 130	R110	\$611.00	29	160
OWW6516	\$251.00	9	130	R155	\$518.00	34	190
OYK1006	\$197.00	9	132	R180	\$392.00	31	190
OYK1026	\$207.00	11	132	R181	\$462.00	35	190
OYK1028	\$240.00	12	132	R232	\$1,688.00	95	209
OYK1056	\$333.00	20	132	R236	\$1,531.00	76	209
OYK1056S	\$352.00	18	132	R237	\$1,615.00	85	209
OYK1056V1	\$223.00	16	132	R243	\$1,200.00	90	190
OYK1106	\$424.00	21	132	R244	\$1,075.00	75	190
OYK6518	\$263.00	12	132	R260	\$1,792.00	95	224
P121	\$550.00	40	221	R261	\$1,792.00	98	224
P122	\$531.00	39	221	R265	\$2,034.00	79	224
P123	\$640.00	46	221	R266	\$1,773.00	77	224
P124	\$643.00	40	221	R267	\$2,284.00	89	224
P126	\$531.00	40	221	R268	\$1,773.00	73	224
P128	\$640.00	45	221	R269	\$1,816.00	89	224
P130	\$814.00	28	221	R270	\$1,836.00	130	224
P131	\$814.00	48	221	R271	\$1,836.00	96	224
P133	\$1,392.00	72	221	R275	\$2,719.00	99	224
P137	\$733.00	50	221	R276	\$1,816.00	78	224
P140	\$1,191.00	53	221	R277	\$1,850.00	93	224
P212	\$1,507.00	84	221	R278	\$2,959.00	106	224
P228	\$793.00	71	221	R279	\$1,850.00	78	224
P229	\$863.00	71	221	R280	\$1,977.00	113	224
P230	\$952.00	89	221	R281	\$1,977.00	115	224
P231	\$1,151.00	142	221	R284	\$1,977.00	110	224
P232	\$802.00	75	221	R290V1	\$2,206.00	149	224
P235	\$1,191.00	90	221	R291V1	\$2,206.00	149	224
P311	\$1,976.00	120	221	R294V1	\$2,206.00	138	224
P312	\$1,672.00	130	221	R327	\$1,459.00	109	190
P313	\$2,468.00	155	221	R338	\$2,460.00	140	209
P317	\$1,384.00	140	221	R339	\$2,766.00	189	209
P318	\$1,488.00	120	221	R344	\$1,570.00	122	223
P319	\$1,806.00	157	221	R345	\$1,648.00	141	223
P320	\$1,914.00	143	221	R352	\$1,517.00	115	223
P321	\$2,255.00	147	221	R353	\$1,517.00	112	223
P324	\$1,396.00	131	221	R354	\$1,933.00	137	223
P325	\$1,488.00	123	221	R355	\$1,933.00	130	223
P326	\$1,806.00	160	221	R422	\$2,953.00	272	223
P327	\$1,914.00	143	221	R423	\$3,147.00	261	2223
PD1050AV1	\$314.00	26	186	R424	\$4,427.00	315	223
PD6104AV2	\$549.00	42	186	R450	\$2,424.00	178	223

# Index

STOCK NUMBER	PRICE	WT.	PAGE	STOCK NUMBER	PRICE	WT.	PAGE
R451	\$2,424.00	195	223	RB3204	\$596.00	33	151
R452	\$2,693.00	220	223	RB3204A	\$592.00	38	151
R453	\$2,693.00	214	223	RB3204AV1	\$624.00	38	151
R550	\$3,114.00	256	223	RBF1034A	\$385.00	18	141
R551	\$3,114.00	204	223	RF4400	\$230.00	10	40
R552	\$4,130.00	313	223	RF4401	\$230.00	10	40
R553	\$4,130.00	306	223	RF6402	\$244.00	11	40
R612	\$4,963.00	270	223	RF6403	\$244.00	12	40
R613	\$4,963.00	354	223	RS1024A	\$298.00	15	141
R615	\$6,074.00	393	223	RS1030A	\$297.00	16	141
R1052	\$275.00	19	210	RS1034A	\$314.00	18	141
R1072	\$333.00	21	210	RS1035A	\$332.00	17	141
R1072ES	\$372.00	21	210	RS1050A	\$351.00	17	141
R1102	\$376.00	26	210	RS1051A	\$383.00	17	141
R1102ES	\$404.00	26	210	RS1054AV1	\$396.00	26	141
R1152ES	\$575.00	31	210	RS1070AV1	\$453.00	22	142
R1202ES	\$688.00	33	210	RS1074AL	\$465.00	31	142
RA1006	\$259.00	11	62	RS1104AV1	\$593.00	32	142
RA1016	\$190.00	11	62	RS2014	\$209.00	13	133
RA1024	\$331.00	13	63	RS2014L	\$207.00	10	133
RA1026	\$238.00	13	63	RS2026	\$232.00	12	133
RA1034	\$341.00	15	64	RS2034L	\$287.00	14	134
RA1036	\$255.00	16	64	SA1016	\$168.00	11	62
RA1036WB	\$268.00	17	64	SA1026	\$180.00	14	63
RA1054	\$378.00	17	65	SA1036V1	\$182.00	13	64
RA1056	\$297.00	18	65	SA1056	\$212.00	18	65
RA1056WB	\$309.00	19	65	SDS1102	\$236.00	32	207
RA1074	\$439.00	20	65	SDS1152	\$278.00	32	207
RA1076	\$428.00	19	65	SDS1202	\$334.00	31	207
RA1176WB	\$646.00	26	65	SDS1252	\$384.00	33	207
RAB1034S	\$345.00	18	130	SDS1302	\$441.00	34	207
RAB1036	\$203.00	15	64	SGF2034V2	\$384.00	26	138
RAL1006	\$253.00	11	62	SGF2034V3	\$459.00	44	138
RAL1016	\$247.00	12	62	SGF2034V4	\$301.00	20	138
RAL1024	\$325.00	12	63	SGF2054AV2	\$327.00	21	138
RAL1026	\$276.00	20	63	SGF2054HL	\$324.00	31	138
RAL1034	\$359.00	14	64	SGK2034V1	\$459.00	20	138
RAL1036	\$283.00	18	64	SGK2054V1	\$513.00	24	138
RAL1054	\$371.00	16	65	SK1052	\$246.00	19	196
RAL1056	\$346.00	20	65	SK1072	\$275.00	22	196
RAL1076	\$437.00	20	65	SK1102	\$315.00	27	196
RAL10156	\$235.00	10	62	SK1152	\$410.00	30	196
RB1052L	\$293.00		141	SK1202	\$512.00	32	196
RB1054AV1	\$418.00	22	141	SK1302V1	\$695.00	44	196, 214
RB1074A	\$488.00	22	142	SN1072	\$409.00	31	211
RB1104AV1	\$554.00	31	142	SN1102	\$447.00	33	211
RB1154AV1	\$641.00	45	142	SN1152	\$499.00	34	211
RB1204AV1	\$748.00	43	142	SN1202	\$557.00	37	211
RB2014	\$227.00	11	133	SN1302	\$938.00	47	211
RB2024	\$288.00	14	133	SP2030A	\$203.00	12	222
RB2026	\$463.00	23	133	SP2034A	\$267.00	12	222
RB2026L	\$494.00	23	133	SP2050A	\$221.00	13	222
RB2034	\$309.00	14	134	SQ1032	\$247.00	16	201
RB2034L	\$313.00	15	134	SQ1052	\$258.00	19	201
RB2036	\$385.00	28	134	SQ1072	\$289.00	23	201
RB2054DV2	\$403.00	20	135	SQ1102	\$336.00	27	201
RB2054DV3	\$354.00	19	135	SQ1152	\$431.00	31	201
RB3034A	\$402.00	20	150	SQ1202	\$535.00	34	201
RB3104A	\$533.00	28	150	SQ1302V1	\$662.00	43	201
RB3154A	\$572.00	30	151	SQG1202A	\$834.00	34	195
RB3154AV1	\$599.00	30	151	SQG1302A	\$1,072.00	44	195

STOCK NUMBER	PRICE	WT.	PAGE	STOCK NUMBER	PRICE	WT.	PAGE
SQL1072R	\$507.00	26	202	T35026E	\$650.00	43	159
SQS1072R	\$507.00	26	202	T35027E	\$783.00	46	160
SQS1102R	\$518.00	31	202	T35028E	\$837.00	49	160
SQS1152R	\$624.00	33	202	T35037	\$4,195.00	577	164
SQS1202R	\$782.00	43	202	T35038	\$4,723.00	625	164
SS-613	\$37.00	1	9	T35039	\$5,300.00	768	165
ST1052	\$253.00	18	196	T35040	\$7,379.00	848	165
ST1072	\$282.00	21	196	T35041	\$8,339.00	1114	166
ST1102	\$321.00	26	196	T35042	\$9,981.00	1258	166
ST1152	\$428.00	32	196	T35043	\$14,418.00	1555	167
ST1202	\$520.00	34	196	T35044	\$18,218.00		167
ST1302V1	\$704.00	44	196, 214	T35051E	\$786.00		159
STG1102A	\$619.00	28	195	T35059	\$4,066.00	411	163
STG1202A	\$811.00	34	195	T35060	\$3,611.00	546	163
STG1302A	\$1,138.00	44	195	T35061	\$4,132.00	625	163
STS1072RV1	\$464.00	27	197	T35062	\$6,321.00	713	164
STS1102RV1	\$487.00	28	197	T35063	\$7,720.00	820	164
STS1152R	\$562.00	32	197	T35064	\$8,275.00		165
SV2054BV2L	\$237.00	24	87	T35065	\$9,854.00		165
SV2104HL	\$427.00	33	87	T35066	\$12,480.00	1431	166
SV2104HV2	\$424.00	33	87	T35067	\$14,177.00	1474	166
SV2104L	\$435.00	33	87	T35068	\$15,640.00		167
SV2104V1L	\$431.00	34	87	T35069	\$22,961.00		167
SV2104V1L1	\$431.00		87	T37026E	\$596.00	41	159
SVB2034	\$185.00	14	87	T37027E	\$633.00	45	160
SVB2034B	\$191.00	19	87	T37028E	\$667.00	48	160
SVB2054	\$201.00	17	87	T37037	\$3,608.00	586	164
SVB2054H	\$204.00	17	87	T37038	\$4,195.00	623	164
SVB2074	\$278.00	22	87	T37039	\$5,300.00	761	165
SVB2074BV1	\$268.00	23	87	T37040	\$7,379.00	999	165
SVB2074H	\$322.00	22	87	T37041	\$8,339.00		166
T1032	\$206.00	16	214	T37042	\$9,981.00	1258	166
T1052	\$231.00	18	214	T37043	\$14,418.00	1527	167
T1072	\$272.00	19	214	T37044	\$18,218.00	1725	167
T1102	\$302.00	23	214	T44029	\$593.00	93	170
T1152	\$424.00	27	214	T44033	\$1,714.00	266	172
T1202	\$513.00	30	214	T46061	\$5,346.00	655	173
T3052	\$294.00	16	212	T48004	\$680.00	84	170
T3072	\$322.00	21	212	T48053	\$749.00	104	169
T3102	\$371.00	22	212	T55026	\$577.00	53	168
T3152	\$476.00	26	212	T55027	\$623.00	56	169
T3202	\$542.00	27	212	T55028	\$692.00	56	169
T26042	\$8,556.00	1247	166	T55029	\$849.00	93	170
T33026E	\$596.00	42	159	T55030	\$965.00	95	170
T33027E	\$633.00	45	160	T55031	\$1,300.00	149	171
T33028E	\$667.00	49	160	T55032	\$1,497.00	152	171
T33037	\$4,195.00	572	164	T55033	\$2,132.00	266	172
T33038	\$4,751.00	635	164	T55034	\$2,672.00	290	172
T33039	\$5,300.00	935	165	T55035	\$3,280.00	430	173
T33040	\$7,379.00	845	165	T57002	\$620.00	53	169
T33041	\$8,339.00	1113	166	T57003	\$708.00	60	169
T35002E	\$799.00	40	160	T57004	\$883.00	85	170
T35003E	\$796.00	45	160	T57005	\$1,102.00	103	170
T35004E	\$886.00	51	161	T57006	\$1,347.00	154	171
T35013	\$4,927.00	682	164	T57007	\$1,556.00	182	171
T35014	\$5,590.00	688	165	T57008	\$2,194.00	304	172
T35015	\$7,451.00	734	165	T57009	\$2,713.00	323	172
T35016	\$9,789.00	794	166	T57010	\$3,402.00	445	173
T35017	\$11,494.00	1138	166	T57011	\$3,895.00	496	173
T35018	\$14,779.00	1225	167	T57012	\$5,234.00	598	174
T35019	\$18,326.00	1568	167	T57013	\$6,737.00	688	174

# Index

STOCK NUMBER	PRICE	WT.	PAGE	STOCK NUMBER	PRICE	WT.	PAGE
T57014	\$7,666.00	935	174	T59031	\$1,300.00	159	171
T57015	\$9,771.00	990	174	T59032	\$1,497.00	185	171
T57016	\$13,016.00	1489	175	T59033	\$2,132.00	285	172
T57017	\$16,715.00	1958	175	T59034	\$2,672.00	315	172
T57018	\$20,689.00	2163	175	T59035	\$3,280.00	452	173
T57019	\$26,152.00	2464	175	T59036	\$3,753.00	481	173
T57026	\$577.00	47	168, 225	T59037	\$5,085.00	615	174
T57027	\$623.00	54	169	T59038	\$6,113.00	721	174
T57028	\$692.00	56	169, 225	T59039	\$10,486.00	917	174
T57029	\$849.00	91	170	T59040	\$12,217.00	992	174
T57030	\$965.00	108	170	T59041	\$14,119.00	1102	175
T57031	\$1,300.00	159	171	T59042	\$17,013.00	1914	175
T57032	\$1,497.00	185	171	T59043	\$19,780.00	2123	175
T57033	\$2,132.00	285	172	T59044	\$24,057.00	2583	175
T57034	\$2,672.00	315	172	T59051	\$737.00	56	168
T57035	\$3,280.00	452	173	T59052	\$879.00	95	169
T57036	\$3,753.00	461	173	T59053	\$966.00	104	169
T57037	\$5,085.00	615	174	T59054	\$1,188.00	148	170
T57038	\$6,113.00	721	174	T59055	\$1,663.00	185	170
T57039	\$10,486.00	939	174	T59056	\$2,219.00	264	171
T57040	\$12,217.00	1014	174	T59057	\$2,722.00	341	171
T57041	\$14,119.00	1492	175	T59058	\$3,616.00	423	172
T57042	\$17,013.00	1897	175	T59059	\$4,428.00	481	172
T57043	\$19,780.00	2006	175	T59060	\$5,198.00	573	173
T57044	\$24,057.00	2674	175	T59061	\$6,398.00	655	173
T57051	\$737.00	57	168	TCF81002E	\$708.00	57	155
T57052	\$879.00	98	169	TCF81003E	\$818.00	66	155
T57053	\$966.00	103	169	TCF81004E	\$999.00	112	155
T57054	\$1,188.00	148	170	TCF81005E	\$1,088.00	112	156
T57055	\$1,663.00	185	170	TCF81006E	\$1,353.00	182	156
T57056	\$2,219.00	286	171	TCF81007	\$1,308.00	176	156
T57057	\$2,722.00	341	171	TCF81007E	\$1,532.00	182	156
T57058	\$3,616.00	428	172	TCF81008E	\$2,250.00	308	156
T57059	\$4,428.00	484	172	TCF81009E	\$2,774.00	332	156
T57060	\$5,198.00	573	173	TCF81010E	\$3,564.00	475	156
T57061	\$6,398.00	655	173	TCF81011E	\$3,967.00	609	156
T57062	\$6,836.00	834	174	TCF81012E	\$5,473.00	656	156
T57063	\$8,686.00	935	174	TCF81013E	\$6,997.00	1439	156
T57064	\$9,651.00	1380	174	TCF81014E	\$8,665.00	930	156
T57065	\$11,675.00	1547	174	TCF81015E	\$10,358.00	975	156
T57066	\$15,629.00	1857	175	TCF81026E	\$823.00	57	155
T57067	\$19,878.00	2170	175	TCF81027E	\$722.00	61	155
T57068	\$21,393.00	2508	175	TCF81028E	\$791.00	63	155
T57069	\$28,564.00	2486	175	TCF81029E	\$1,081.00	107	155
T59002	\$620.00	53	169	TCF81030E	\$1,217.00	115	156
T59003	\$708.00	62	169	TCF81031E	\$1,672.00	186	156
T59004	\$883.00	85	170	TCF81032E	\$1,931.00	203	156
T59005	\$1,102.00	103	170	TCF81033E	\$2,753.00	304	156
T59006	\$1,347.00	154	171	TCF81034E	\$3,515.00	345	156
T59007	\$1,556.00	176	171	TCF81035E	\$4,306.00	471	156
T59008	\$2,194.00	287	172	TCF81036E	\$4,868.00	495	155
T59009	\$2,713.00	322	172	TCF81037E	\$6,920.00	651	156
T59010	\$3,402.00	448	173	TCF81038	\$6,946.00	708	156
T59011	\$3,895.00	496	173	TCF81038E	\$8,138.00	713	156
T59012	\$5,234.00	598	174	TCF81039E	\$8,499.00		156
T59013	\$6,737.00	688	174	TCF81040E	\$11,031.00	1034	156
T59026	\$577.00	47	168	TCF81051E	\$839.00	61	155
T59027	\$638.00	54	169	TCF81052E	\$908.00	108	155
T59028	\$692.00	66	169	TCF81053E	\$1,151.00	113	155
T59029	\$849.00	97	170	TCF81054E	\$1,402.00	177	155
T59030	\$965.00	108	170	TCF81055E	\$1,936.00	198	156



<b>STOCK NUMBER</b>	<b>PRICE</b>	<b>WT.</b>	<b>PAGE</b>	<b>STOCK NUMBER</b>	<b>PRICE</b>	<b>WT.</b>	<b>PAGE</b>
TCF81056E	\$2,532.00	299	156	TCP12030	\$782.00	84	218
TCF81057E	\$3,191.00	330	156	TCP71001	\$599.00	51	219
TCF81058E	\$4,087.00	427	156	TCP71002	\$657.00	57	219
TCF81059E	\$5,183.00	504	156	TCP71003	\$590.00	64	219
TCF81060E	\$5,876.00	603	156	TCP71004	\$689.00	84	219
TCF81061E	\$7,270.00	671	156	TCP71005	\$844.00	101	219
TCF81062E	\$8,249.00	1408	156	TCP71006	\$1,164.00	178	219
TCF81063E	\$10,552.00	961	156	TCP71007	\$1,352.00	191	220
TCF81064E	\$11,863.00	1401	156	TCP71008	\$1,788.00	287	220
TCF81065E	\$13,688.00	1543	156	TCP71009	\$2,202.00	322	220
TCF82002E	\$680.00	58	153	TCP71010	\$3,133.00	448	220
TCF82003E	\$992.00	64	153	TCP71011	\$4,100.00	515	220
TCF82004E	\$965.00	101	154	TCP71012	\$5,442.00	614	220
TCF82005E	\$1,104.00	109	154	TCP71013	\$6,849.00	684	220
TCF82006E	\$1,616.00	175	154	TCP71026	\$597.00	55	219
TCF82007E	\$1,943.00	209	154	TCP71027	\$655.00	59	219
TCF82008E	\$2,477.00	317	154	TCP71028	\$693.00	59	219
TCF82009E	\$3,226.00	332	154	TCP71029	\$630.00	90	219
TCF82010E	\$3,732.00	480	154	TCP71030	\$821.00	108	219
TCF82011E	\$4,412.00	504	154	TCP71031	\$1,166.00	181	219
TCF82012E	\$5,730.00	647	154	TCP71032	\$1,395.00	197	220
TCF82013E	\$7,340.00	722	154	TCP71033	\$2,166.00	278	220
TCF82014E	\$8,353.00	911	154	TCP71034	\$2,299.00	304	220
TCF82015E	\$9,990.00	942	154	TCP71035	\$3,627.00	452	220
TCF82026E	\$624.00	59	153	TCP71036	\$3,705.00	506	220
TCF82027E	\$694.00	59	153	TCP71037	\$5,153.00	616	220
TCF82028E	\$763.00	63	153	TCP71038	\$6,501.00	711	220
TCF82029	\$909.00	90	154	TCP72001	\$597.00	51	219
TCF82029E	\$867.00	104	154	TCP72002	\$657.00	59	219
TCF82030E	\$999.00	113	154	TCP72003	\$708.00	65	219
TCF82031E	\$1,512.00	174	154	TCP72004	\$820.00	97	219
TCF82032E	\$1,832.00	194	154	TCP72005	\$1,053.00	101	219
TCF82033E	\$2,359.00	317	154	TCP72006	\$1,382.00	178	219
TCF82034E	\$3,081.00	700	154	TCP72007	\$1,739.00	176	220
TCF82035E	\$3,489.00	928	154	TCP72008	\$1,802.00		220
TCF82036E	\$4,197.00	515	154	TCP72009	\$2,899.00	322	220
TCF82037E	\$5,356.00	722	154	TCP72010	\$3,673.00	448	220
TCF82038E	\$6,744.00	741	154	TCP72011	\$4,100.00	518	220
TCF82039E	\$8,200.00	961	154	TCP72012	\$5,442.00	617	220
TCF82040E	\$10,643.00	993	154	TCP72013	\$6,849.00	681	220
TCF82051E	\$812.00	62	153	TCP72026	\$597.00	57	219
TCF82052E	\$874.00	106	153	TCP72027	\$655.00	60	219
TCF82053E	\$1,110.00	103	153	TCP72028	\$562.00	62	219
TCF82054E	\$1,346.00	176	154	TCP72029	\$636.00	90	219
TCF82055E	\$1,867.00	194	154	TCP72030	\$971.00	108	219
TCF82056E	\$2,442.00	288	154	TCP72031	\$1,264.00	185	219
TCF82057E	\$3,081.00	308	154	TCP72032	\$1,557.00	199	220
TCF82058E	\$3,940.00	442	154	TCP72033	\$2,788.00	278	220
TCF82059E	\$4,995.00	497	154	TCP72034	\$3,107.00	304	220
TCF82060E	\$5,661.00	607	154	TCP72035	\$3,842.00	452	220
TCF82061E	\$7,013.00	653	154	TCP72036	\$3,705.00	506	220
TCF82062E	\$7,958.00	856	154	TCP72037	\$5,153.00	629	220
TCF82063E	\$10,178.00	942	154	TCP72038	\$6,501.00	703	220
TCF82064E	\$11,441.00	1474	154	TCP74006	\$1,179.00	183	219
TCP11005	\$809.00	68	218	TCP74007	\$1,380.00	194	220
TCP11006	\$938.00	88	218	TCP74008	\$1,997.00	308	220
TCP11029	\$606.00	72	217	TCP74009	\$3,200.00	352	220
TCP11030	\$782.00	82	218	TCP74010	\$2,985.00	447	220
TCP12005	\$809.00	36	218	TCP74011	\$3,421.00	513	220
TCP12006	\$895.00	39	218	TCP74013	\$6,153.00	695	220
TCP12029	\$606.00	38	217	TCP81002	\$661.00	44	217

# Index

STOCK NUMBER	PRICE	WT.	PAGE	STOCK NUMBER	PRICE	WT.	PAGE
TCP81003	\$743.00	51	217	TSD61034	\$3,229.00	321	177
TCP81004	\$833.00		217	TSD61035	\$3,579.00	473	177
TCP81005	\$990.00	79	218	TSD61036	\$4,470.00	499	177
TCP81006	\$1,365.00	88	218	TSD61037	\$5,939.00	632	177
TCP81026	\$550.00	46	217	TSD61038	\$6,950.00	724	177
TCP81027	\$632.00		217	TSD61051	\$896.00	61	176
TCP81028	\$661.00		217	TSD61052	\$1,089.00	98	176
TCP81029	\$731.00		217	TSD61053	\$1,216.00	107	176
TCP81030	\$863.00	103	218	TSD61054	\$1,485.00	158	176
TCP81032	\$1,391.00		218	TSD61055	\$2,089.00	193	176
TCP81034	\$2,526.00	315	218	TSD61056	\$2,777.00	274	176
TCP82002	\$640.00	45	217	TSD61057	\$3,394.00	353	176
TCP82003	\$754.00	51	217	TSD61058	\$4,502.00	446	176
TCP82004	\$803.00	57	217	TSD61059	\$5,487.00	499	177
TCP82005	\$990.00	92	218	TSD61060	\$6,650.00	594	177
TCP82006	\$1,365.00	100	218	TSD61061	\$7,661.00	667	177
TCP82026	\$550.00	51	217	TSD61062	\$10,380.00	788	177
TCP82027	\$622.00	27	217	TSD61063	\$11,921.00	860	177
TCP82028	\$707.00	53	217	U6430	\$215.00	8	55
TCP82029	\$731.00	114	217	U6431	\$218.00	10	55
TCP82030	\$863.00	104	218	U6432	\$225.00	9	55
TCP84004	\$803.00	55	217	U6433	\$230.00	8	55
TCP84005	\$990.00	42	218	U6520	\$298.00	12	55
TCP84029	\$731.00	97	217	U6521	\$331.00	13	55
TCP84030	\$863.00	103	218	UB02CWL2F	\$54.00	3	12
TCP85004	\$786.00	57	217	UB02CWLA	\$43.00	2	14
TCP85005	\$966.00	92	218	UB04CCH	\$60.00	3	14
TCP85029	\$731.00	96	217	UB04CCH2F	\$63.00	3	12
TCP85030	\$863.00	104	218	UB04CCHA	\$48.00	2	14
TS14041	\$6,871.00	1113	166	UB04CCL	\$55.00	3	14
TS17039	\$5,300.00	760	165	UB04CCL2F	\$57.00	3	12
TS17040	\$7,379.00	837	165	UB04CCLA	\$48.00	2	14
TS17041	\$8,339.00	1100	166	UB04CCLA2F	\$50.00	2	12
TS17042	\$9,981.00	1237	166	UB04CWH	\$60.00	2	14
TS17043	\$14,418.00	1528	167	UB04CWH2F	\$63.00	3	12
TS17044	\$18,218.00	1700	167	UB04CWHHA	\$48.00	2	14
TS18039	\$10,486.00	946	174	UB04CWL	\$55.00	2	14
TS18040	\$12,217.00	1001	174	UB04CWL2F	\$57.00	3	12
TS18041	\$14,119.00	1486	175	UB04CWLA	\$48.00	2	14
TS18042	\$17,013.00	1907	175	UB05CCLA2F	\$49.00	3	12
TS35038	\$4,901.00	638	164	UB05CWL2F	\$81.00	3	12, 16
TSD61002	\$718.00	57	176	UB05CWLA2F	\$44.00	2	12
TSD61003	\$814.00	66	176	UB06CCL	\$60.00	3	14
TSD61004	\$1,121.00	91	176	UB06CCL2F	\$63.00	3	12
TSD61005	\$1,389.00	106	176	UB06CCLA	\$53.00	2	14
TSD61006	\$1,677.00	162	176	UB06CCLA2F	\$55.00	2	12
TSD61007	\$1,961.00	184	176	UB06CWL	\$60.00	3	14
TSD61008	\$2,693.00	301	176	UB06CWL2F	\$63.00	3	12
TSD61009	\$3,337.00	336	177	UB06CWLA	\$53.00	3	14
TSD61010	\$4,111.00	468	177	UB06CWLA2F	\$55.00	2	12
TSD61011	\$4,801.00	513	177	UB09CCH	\$65.00	3	14
TSD61012	\$6,333.00	614	177	UB09CCH2F	\$67.00	3	12
TSD61013	\$8,193.00	697	177	UB09CCHA	\$61.00	3	14
TSD61026	\$730.00	54	176	UB09CCHA2F	\$63.00	2	12
TSD61027	\$791.00	58	176	UB09CCL	\$63.00	3	14
TSD61028	\$848.00	61	176	UB09CCL2F	\$65.00	3	12
TSD61029	\$1,031.00	95	176	UB09CCLA	\$55.00	2	14
TSD61030	\$1,205.00	111	176	UB09CCLA2F	\$57.00	2	12
TSD61031	\$1,633.00	171	176	UB09CWH	\$65.00	3	14
TSD61032	\$1,935.00	197	176	UB09CWH2F	\$67.00	3	12
TSD61033	\$2,592.00	299	176	UB09CWHHA	\$61.00	3	14

STOCK NUMBER	PRICE	WT.	PAGE	STOCK NUMBER	PRICE	WT.	PAGE
UB09CWA2F	\$63.00	2	12	UST1102	\$282.00	22	197
UB09CWL	\$63.00	3	14	UST1152	\$321.00	26	197
UB09CWL2F	\$65.00	3	12	UST1202	\$428.00	33	197
UB09CWLA	\$55.00	2	14	UST1252	\$520.00	35	197
UB09CWLA2F	\$57.00	2	12	USTG1102A	\$549.00	24	195
UB16CCHV1	\$85.00	4	14	USTG1152A	\$619.00	27	195
UB16CCHV12F	\$87.00	4	12	V100	\$622.00	35	144
UB16CCLA	\$66.00	3	14	V101	\$705.00	41	144
UB16CCLV1	\$85.00	2	14	V102	\$894.00	42	144
UB16CCLV12F	\$87.00	4	12	V106	\$921.00	42	145
UB16CWHA	\$68.00	13	14	V108	\$844.00	42	145
UB16CWHV1	\$85.00	4	14	V110	\$705.00	37	144
UB16CWHV12F	\$87.00	4	12	V200	\$1,055.00	60	144
UB16CWLA	\$66.00	3	14	V201	\$1,137.00	78	144, 182
UB16CWL1	\$85.00	5	14	V202	\$1,119.00	80	145
UB16CWL12F	\$87.00	4	12	V203	\$1,254.00	94	145
UB023CWLA	\$44.00	2	14	V208	\$1,121.00	84	182
UB025CWL	\$51.00	3	14	V209	\$1,040.00	84	144, 189
UCT1072	\$328.00	22	197	V210	\$1,153.00	68	144
UCT1102	\$360.00	25	197	V211	\$1,149.00	82	144, 182
UCT1152	\$400.00	27	197	V212	\$1,294.00	96	145
UH1016	\$259.00	13	59	V214	\$1,950.00	96	209
UH1016NB	\$249.00	14	59	V220	\$2,128.00	96	209
UH1016NBV1	\$249.00	12	59	V303	\$2,311.00	156	144, 189
UH1016V1	\$259.00	13	59	V304	\$1,598.00	110	144
UH1026	\$282.00	13	60	V305	\$1,764.00	158	144, 189
UH1026NB	\$269.00	13	60	V308	\$2,061.00	151	187
UH1026V1	\$282.00	13	60	V310	\$2,094.00	98	144
UH1036	\$287.00	16	61	V311	\$2,576.00	107	144
UH1036NB	\$272.00	16	61	V1104BL	\$410.00	32	87
UH1036V1	\$284.00	13	61	V1154B	\$424.00	42	87
UHH1026	\$286.00	14	60	V1204B	\$472.00	36	87
UHH1036	\$289.00	13	61	V2054B	\$183.00	16	87
UHH1036NB	\$276.00	15	61	V205M	\$1,365.00	96	144
UQC1072	\$312.00	24	201	VB2034	\$149.00	13	87
UQC1102	\$344.00	25	201	VB2034B	\$158.00	15	87
UQC1152	\$371.00	30	201	VB2054	\$176.00	15	87
UQS1102R	\$504.00	26	202	VB2054B	\$183.00	6	87
UQS1152R	\$516.00	31	202	VB2074	\$218.00	15	87
UQS1202R	\$621.00	33	202	VB2074B	\$247.00	18	87
US1016	\$262.00	12	59	W200	\$2,990.00	103	229, 253
US1016NB	\$240.00	11	59	W201	\$3,601.00	110	229, 253
US1026	\$283.00	13	60	W202	\$3,622.00	110	229, 253
US1026NB	\$241.00	12	60	W244	\$3,058.00	126	230
US1036	\$274.00	15	61	W245	\$2,593.00	103	230
US1036NB	\$258.00	15	61	W260	\$3,615.00	178	230
USN1102	\$409.00	27	211	W261	\$3,288.00	114	230
USN1152	\$447.00	33	211	W281	\$5,768.00	173	230
USN1202	\$499.00	35	211	XEL2014	\$157.00	14	91
USN1252	\$557.00	37	211	YA2020	\$306.00	14	89
USN1302	\$720.00	39	211	YA2030	\$328.00	15	89
USQ1052	\$247.00	17	201	YA2054	\$438.00	21	89
USQ1072	\$258.00	18	201				
USQ1102	\$289.00	22	201				
USQ1152	\$336.00	26	201				
USQ1202	\$431.00	29	201				
USQ1252	\$535.00	32	201				
USQG1072A	\$525.00	27	195				
USQG1102A	\$562.00	28	195				
USQG1152A	\$640.00	28	195				
UST1072	\$253.00	20	197				

# Index- Parts & Accessories

STOCK NO.	PRICE	WT.	PAGE	STOCK NO.	PRICE	WT.	PAGE	STOCK NO.	PRICE	WT.	PAGE
260B913H01	\$1.00	0.01	239	1365A	\$29.00	0.25	237	615157	\$24.00	0.79	241
1177A	\$17.00	0.25	237	1366A	\$38.00	0.98	240	615467-001	\$35.00	1.30	241
1180A	\$20.00	0.25	238	1376A	\$18.00	0.08	240	615467-002	\$31.00	0.08	241
1181A	\$10.00	0.08	238	1377A	\$31.00	0.25	240	616672	\$7.00	0.10	239
1182A	\$10.00	0.21	238	1378A	\$38.00	0.25	240	619432-105	\$10.00	0.10	239
1183A	\$10.00	0.25	237	1379A	\$33.00	0.25	240	619432-111	\$10.00	0.10	239
1202A	\$24.00	0.25	239	1380A	\$38.00	0.25	240	619432-112	\$10.00	0.10	239
1204A	\$10.00	0.25	237	1381A	\$24.00	0.25	240	619432-113	\$16.00	0.10	239
1205	\$4.00	0.25	238	1383A	\$20.00	0.22	236	619432-169	\$8.00	0.01	238
1205	\$43.00	0.25	238	1386	\$39.00	1.40	240	619432-174	\$37.00	0.80	241
1207	\$47.00	0.25	238	1387A	\$16.00	0.08	238	619432-192	\$34.00	0.85	241
1209	\$28.00	0.25	238	1407A	\$119.00	0.36	239	625295	\$42.00	1.40	241
1211	\$30.00	0.93	238	1408A	\$173.00	0.80	239	626000-001	\$155.00	1.00	239
1212	\$29.00	0.80	238	1410A	\$30.00	0.90	240	626137	\$4.00	0.13	235
1216A	\$27.00	0.46	239	1411A	\$25.00	0.25	236	700027	\$4.00	0.13	235
1217A	\$26.00	0.10	239	1412A	\$27.00	0.20	236	700046	\$7.00	0.13	235
1218A	\$22.00	0.28	240	1414A	\$24.00	0.17	236	700047	\$5.00	0.13	235
1219A	\$16.00	0.25	238	1419	\$34.00	0.25	238	700048	\$5.00	0.13	235
1220A	\$14.00	0.25	238	1422	\$31.00	0.25	238	700049	\$7.00	0.13	235
1221A	\$12.00	0.25	238	1475A	\$29.00	0.43	237	891095	\$7.00	0.00	243
1223A	\$30.00	0.80	240	1479	\$38.00	1.36	240	1010200	-	6.00	242
1226	\$29.00	0.25	238	1482A	\$14.00	0.13	237	1010201	-	8.00	242
1229	\$23.00	0.86	238	1483A	\$52.00	0.25	237	1010203	-	17.00	242
1230A	\$17.00	0.18	237	1487A	\$36.00	0.18	237	1010205	-	29.00	242
1231A	\$29.00	0.04	237	1488A	\$40.00	0.11	235	1010207	-	40.00	242
1233A	\$105.00	0.25	239	1495	\$44.00	1.36	240	1010208	-	51.00	242
1234A	\$165.00	0.25	239	1618A	\$10.00	0.25	236	1010211	-	1.00	242
1236A	\$35.00	0.13	236	1619A	\$10.00	0.25	236	1010212	-	2.00	242
1254A	\$13.00	0.25	235	1639A	\$15.00	0.25	236	1010213	-	3.00	242
1255A	\$17.00	0.08	238	1640A	\$15.00	0.24	236	1010214	-	6.00	242
1256A	\$25.00	0.30	239	2044	\$26.00	0.25	238	1010215	-	8.00	242
1257A	\$27.00	0.25	239	2061	\$35.00	0.25	238	1010216	-	12.00	242
1263A	\$26.00	0.10	238	2062	\$35.00	1.50	238	1010223	-	6.00	242
1264A	\$6.00	0.25	235	2063	\$37.00	1.04	238	1010224	-	6.00	242
1292	\$29.00	0.25	238	2064A	\$17.00	0.09	236	1010225	-	9.00	242
1293	\$28.00	0.25	238	2087A	\$13.00	0.05	236	1010226	-	15.00	242
1295A	\$30.00	0.10	237	2090	\$47.00	0.66	238	1010227	-	26.00	242
1296A	\$26.00	0.25	239	2094A	\$47.00	0.25	240	1010228	-	26.00	242
1300A	\$47.00	0.12	237	2097A	\$21.00	0.25	236	1010230	-	1.00	242
1302A	\$35.00	0.08	237	2098A	\$31.00	0.53	236	1010232	-	1.00	242
1304A	\$36.00	0.25	237	2116	\$8.00	0.19	237	1010234	-	1.00	242
1305A	\$47.00	0.25	237	2117	\$5.00	0.60	235	1010235	-	2.00	242
1306A	\$35.00	0.25	237	2118	\$9.00	0.34	237	1010236	-	2.00	242
1307A	\$25.00	0.29	237	2211	\$12.00	0.25	235	1010238	-	2.00	242
1308A	\$21.00	0.25	237	2212	\$12.00	0.25	235	1010246	-	9.00	242
1310A	\$21.00	0.17	237	2217	\$12.00	0.25	235	1010247	-	14.00	242
1320A	\$31.00	0.66	240	2218	\$12.00	0.25	235	1010248	-	20.00	242
1322A	\$35.00	0.18	239	2235	\$15.00	0.25	235	1010249	-	31.00	242
1327A	\$34.00	0.25	240	2256	\$16.00	0.20	235	1010250	-	48.00	242
1328A	\$34.00	0.38	240	2267	\$17.00	0.25	235	1010251	-	75.00	242
1329A	\$44.00	0.80	240	2268	\$17.00	0.25	235	1010254	-	0.03	242
1330A	\$20.00	0.14	236	2271	\$7.00	0.25	235	1010255	-	0.01	242
1340	\$33.00	0.25	238	2272	\$7.00	0.25	235	1010256	-	1.50	242
1342	\$34.00	0.25	238	2273	\$7.00	0.25	235	1010257	-	1.00	242
1343	\$27.00	0.25	238	2274	\$8.00	0.25	235	1010258	-	1.50	242
1347	\$30.00	0.25	238	613156-003	\$5.00	0.04	238	1010259	-	2.00	242
1364A	\$35.00	1.02	240	615059-001	\$37.00	0.34	241	1010263	-	10.00	242

## Index- Parts & Accessories

STOCK NO.	PRICE	WT.	PAGE	STOCK NO.	PRICE	WT.	PAGE	STOCK NO.	PRICE	WT.	PAGE
1010264	-	5.00	242	31623902	\$92.00	4.61	243	POCF35	\$9.00	0.10	234
1010265	-	10.00	242	31623903	\$124.00	7.05	243	POCF4	\$3.00	0.20	234
1010266	-	9.00	242	31623904	\$302.00	9.00	243	POCF40	\$10.00	0.70	234
1010267	-	20.00	242	31623905	\$238.00	9.00	243	POCF45	\$10.00	0.70	234
1010268	-	20.00	242	31623906	\$203.00	9.33	243	POCF5	\$3.00	0.20	234
1010275	-	7.00	242	31623907	\$376.00	11.00	243	POCF50	\$12.00	0.60	234
1010276	-	26.00	242	31623908	\$380.00	15.00	243	POCF55	\$12.00	1.00	234
1010277	-	9.03	242	31623909	\$216.00	13.00	243	POCF75	\$4.00	0.30	234
1010278	-	4.00	242	31623910	\$270.00	20.00	243	PRC15	\$4.00	0.20	234
1010279	-	8.00	242	31623911	\$427.00	19.09	243	PRC175	\$5.00	0.30	234
1010280	-	12.00	242	31623912	\$343.00	23.60	243	PRC20	\$5.00	0.40	234
1010281	-	14.00	242	31623915	\$388.00	31.34	243	PRC25	\$5.00	0.36	234
1010282	-	16.00	242	31623916	\$623.00	29.70	243	PRC30	\$8.00	0.40	234
1010285	-	0.15	242	HFM55	\$29.00	1.06	241	PRC35	\$8.00	0.36	234
1010286	-	0.01	242	HFM554	\$37.00	1.11	241	PRC40	\$9.00	0.36	234
1010287	-	0.01	242	PMJ1000	\$28.00	0.40	234	PRC45	\$10.00	0.54	234
1010288	-	0.15	242	PMJ108	\$9.00	0.10	234	PRC50	\$10.00	0.60	234
1010289	-	1.00	242	PMJ124	\$10.00	0.20	234	PRCF125	\$17.00	0.50	234
1010290	-	1.00	242	PMJ130	\$10.00	0.20	234	PRMJ124	\$30.00	0.20	234
1010291	-	0.15	242	PMJ145	\$10.00	0.20	234	PRMJ130	\$31.00	0.10	234
1010292	-	0.01	242	PMJ161	\$10.00	0.30	234	PRMJ145	\$36.00	0.01	234
1010293	-	0.01	242	PMJ189	\$10.00	0.20	234	PRMJ189	\$40.00	0.20	234
1010294	-	0.56	242	PMJ216	\$11.00	0.20	234	PRMJ216	\$44.00	1.00	234
1010295	-	0.02	242	PMJ243	\$12.00	0.09	234	PRMJ30	\$17.00	0.40	234
1010298	-	0.03	242	PMJ270	\$12.00	0.01	234	PRMJ53	\$20.00	0.40	234
1010299	-	0.01	242	PMJ324	\$13.00	0.20	234	PRMJ88	\$23.00	0.50	234
1010300	-	0.01	242	PMJ340	\$14.00	0.40	234	PSMJ124	\$12.00	0.50	234
1010301	-	0.01	242	PMJ378	\$14.00	0.34	234	PSMJ130	\$12.00	0.50	234
1010302	-	0.03	242	PMJ400	\$14.00	0.40	234	PTMJ108	\$20.00	0.36	234
1010303	-	1.00	242	PMJ460	\$16.00	0.36	234	PTMJ124	\$21.00	0.40	234
1010784-001	\$4.00	0.01	235	PMJ540	\$20.00	0.44	234	PTMJ130	\$22.00	0.40	234
10044701	\$3.00	0.01	243	PMJ590	\$20.00	0.10	234	PTMJ145	\$33.00	0.20	234
10301702	\$23.00	0.76	243	PMJ708	\$24.00	0.02	234	PTMJ161	\$24.00	0.44	234
10392002	\$30.00	1.61	241	PMJ829	\$25.00	0.60	234	PTMJ189	\$25.00	0.54	234
10909202	\$31.00	1.65	241	POC10	\$3.00	0.70	234	PTMJ21	\$14.00	0.19	234
17090001	\$302.00	0.03	241	POC125	\$4.00	0.36	234	PTMJ216	\$28.00	0.63	234
30868104	\$60.00	5.00	243	POC15	\$5.00	0.80	234	PTMJ233	\$29.00	0.60	234
30868105	\$60.00	5.51	243	POC175	\$5.00	0.50	234	PTMJ270	\$33.00	0.60	234
30868106	\$64.00	9.00	243	POC2	\$3.00	0.19	234	PTMJ30	\$14.00	0.20	234
30868107	\$64.00	9.01	243	POC20	\$5.00	0.80	234	PTMJ53	\$14.00	0.23	234
30868108	\$77.00	12.82	243	POC25	\$5.00	0.90	234	PTMJ72	\$16.00	0.60	234
30868109	\$77.00	14.09	243	POC3	\$3.00	0.20	234	PTMJ88	\$17.00	0.37	234
30868110	\$129.00	17.00	243	POC30	\$7.00	0.40	234	W706	\$218.00	2.50	232
30868111	\$129.00	18.19	243	POC35	\$8.00	0.01	234	W713	\$246.00	0.70	232
30868112	\$146.00	19.99	243	POC4	\$3.00	0.01	234	W729	\$96.00	2.20	232
30868113	\$146.00	23.00	243	POC40	\$9.00	1.10	234	W730	\$188.00	0.50	232
30868114	\$216.00	26.98	243	POC45	\$10.00	0.30	234	W731	\$14.00	0.04	232
30868115	\$216.00	27.88	243	POC5	\$2.00	0.20	234	W732	\$21.00	2.00	232
30868116	\$257.00	50.00	243	POC50	\$11.00	0.36	234	W770	\$487.00	3.00	232
30868117	\$257.00	45.81	243	POC6	\$3.00	0.90	234				
30868118	\$412.00	89.00	243	POC75	\$3.00	0.26	234				
30868119	\$412.00	80.00	243	POCF10	\$4.00	0.30	234				
30868120	\$487.00	108.00	243	POCF15	\$5.00	0.20	234				
30868121	\$487.00	88.00	243	POCF25	\$9.00	0.70	234				
30868130	\$592.00	110.00	243	POCF3	\$3.00	0.50	234				
31623901	\$77.00	2.00	243	POCF30	\$8.00	0.30	234				

# Century Distributor Terms and Conditions

- 1) Prices are those in effect at time of shipment. Prices are subject to change without notice.
- 2) A minimum charge of \$25.00 will apply to any parts order which is less than \$25.00.
- 3) Freight Policy: Stock Motors
  - a) All shipments are F.O.B. shipping point.
  - b) On single release orders for 35 or more motors (or 1,200 pounds) Century ships prepaid to the first destination within the continental U.S. method of shipment is at the discretion of Century.
  - c) Each release order less than 35 motors (or less than 1,200 pounds) will be shipped freight prepaid to the first destination with the freight charge added to the invoice. If the customer specifies the carrier on a charge freight order, the order will be shipped freight collect to the first destination.
  - d) Air shipment or other premium shipping method may be specified at the customer's expense.
  - e) Replacement parts and accessories ordered and shipped with motors will be shipped in accordance with the applicable motor freight policy.
  - f) Replacement parts and accessories ordered separately from motors will be shipped prepaid and charged on the invoice.
  - g) Drop Shipments: for orders of less than 35 motors of 48 frame and smaller sizes; a 5% price premium PLUS freight will be added to the invoice.
  - h) Drop Shipments: for orders of, 35 or more motors of 48 frame and smaller sizes; a 5% price premium will be added to the invoice, freight will be prepaid.
- 4) Freight is prepaid with the freight added to the invoice on all orders for Non Stock Special Build motors regardless of quantity.
- 5) Damaged merchandise or carton shortages must be reported by the wholesaler directly to the carrier. Deductions will not be allowed as Century's responsibility ends with consignment to the carrier.
- 6) Claims for shortages must be reported within five business days following the date of delivery. Shortages must also be noted on the freight bill.
- 7) Terms: Net 30 days to all customers having approved credit standing.
- 8) Possession of this price list does not constitute an offer to sell.
- 9) Stock motors or parts cannot be returned without return authorization. All merchandise returned without authorization will be refused.
- 10) All stock motor returns will receive a 20% restocking charge. Customer pays return freight. All returns must be within 30 days from date of shipment and be new, in original packaging as received and the package must be clean and unmarked. No Returns after 30 days.

Revised: 2//2012

# MOTOR SELECTION HELP

PLEASE COMPLETE ALL INFORMATION

Customer \_\_\_\_\_

Motor Manufacturer \_\_\_\_\_

Phone \_\_\_\_\_

Motor Model No. \_\_\_\_\_

Fax \_\_\_\_\_

## MOTOR APPLICATION

- Pump
- Air Moving: Belt or Direct Drive
- General Purpose
- Other:

## MECHANICAL

- Frame Size:

## SHAFT

- Shaft: Single or Double
- Shaft Dia. (if not NEMA)
- Shaft length (if critical): \_\_\_\_\_

## MOUNTING

- Belly Band
- Flange
- Rigid Base
- Resilient Base
- Lug Mount
- Other:

## ENCLOSURE

- Open
- ODP
- TEFC
- TENV
- TEAO
- Hazardous
- Other:

## BEARINGS

- Ball
- Sleeve

DUTY CYCLE \_\_\_\_\_

INSULATION \_\_\_\_\_

## ELECTRICAL

- Volts
- Frequency: 50 or 60
- Horsepower:
- Amps:
- Speeds (if multiple):
- Rotation (lead end): CW or CCW
- Thermal Protection:  
Auto, Manual, None
- Service Factor
- RPM:

## MOTOR TYPE

- Single Phase
  - Shaded Pole
  - PSC
  - Split Phase
  - Capacitor Start
  - Capacitor Start and Run
- Three Phase

## Possible Replacement or OEM Reference:

---

---

IT IS YOUR RESPONSIBILITY TO  
CONFIRM THE ACCEPTABILITY OF  
THIS SUGGESTED REPLACEMENT.

Fax to (800) 468-2062 for fastest service.

# Statement of Warranty Policy

## Warranty Period

All Century® motors are warranted against defects in materials and workmanship for a period of twelve (12) months from the date of installation or twenty-four months (24) from the date of manufacture, whichever comes first except for E-Plus®3 Integral Horsepower Motors and HeatMaster® Condenser Fan Motors which are warranted for twenty-four months (24) from date of installation and thirty-six (36) months from date of manufacture, whichever comes first.

## Limitation of Remedy

In the event of a breach of the warranty within the applicable warranty period, Century shall have the option of (1) repairing such motor; (2) supplying an identical or substantially similar replacement motor FOB, Century's factory; or (3) refunding or giving credit for the purchase price of such motor.

The remedy set forth above shall be the sole and exclusive remedy for the motors failing within the applicable warranty period. Century, shall not be liable for any lost profits, loss of use, or any other consequential, special or incidental damages.

## DISCLAIMER OF IMPLIED WARRANTIES

EXCEPT AS MAY BE REQUIRED UNDER APPLICABLE LAW, THE LIMITED WARRANTY SET FORTH ABOVE IS THE EXCLUSIVE WARRANTY PROVIDED WITH THE MOTORS. ALL OTHER WARRANTIES, WHETHER WRITTEN OR VERBAL, EXPRESSED OR IMPLIED, INCLUDING THE IMPLIED WARRANTIES OF MERCHANTABILITY AND FITNESS FOR A PARTICULAR PURPOSE ARE EXPRESSLY DISCLAIMED BY CENTURY.

## Conditions of Warranty

This limited warranty shall be void and of no effect if:

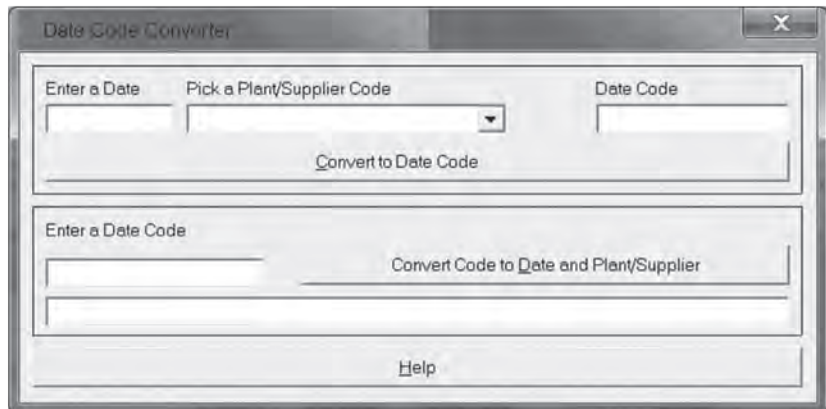
1. The motor has been subjected to improper handling, storage or installation, or subject to abuse or unauthorized repairs;
2. The motor was not suitable for the application or operated above its rated load; or
3. The motor was subject to water damage including motor bearing failures resulting from pump seal failures.

## Authorized Location

Defective motors which have failed during the applicable warranty period must be returned freight prepaid to a Century's authorized distributor. Call 800-672-6495.

## How to Read Date Codes on Motor Nameplates & Labels

As of August 2006 a common date code format for all motors is being used. It consists of seven alpha-numeric characters. The first three characters represent the day of the year based on the Julian calendar, the next two the year, and the last two the plant code. For example, 123064M, would mean the 123rd day of 2006 (May 3, 2006) in Regal's Juarez IGMEX4 plant. Users and distributors may visit our website [centuryelectricmotor.com](http://centuryelectricmotor.com) to access our 'date code converter,' as well as applicable warranty forms.



The date codes utilized prior to the conversion to our current format are listed below for your reference.

### Century Product

Plant code–Month–Year. Example: 7B99. 7 is a plant code designation, B is the month (January is A, February is B, etc.) and 99 is the year. Century®, Indiana General, Louis Allis Product

Year code–Month. Example: BA3. BA is the year (see table below). 3 is the month (1-12).

1992	BK	1996	BP	2000	BU	2004	BZ	2008	CD
1993	BL	1997	BR	2001	BW	2005	CA	2009	CE
1994	BM	1998	BS	2002	BX	2006	CB	2010	CF
1995	BN	1999	BT	2003	BY	2007	CC		

### Universal® Product

Week (1-52), Year (Letter code from table below), Factory order number code, Plant code.

Example: 8 Z 0275592 R. 8 is the 8th week of the year, Z is the year (1988), 027592 is the factory order code, R is the plant code (Ripley).

1992	D	1996	H	2000	M	2004	S	2008	W
1993	E	1997	J	2001	N	2005	T	2009	X
1994	F	1998	K	2002	P	2006	U		
1995	G	1999	L	2003	R	2007	V		



# New! Fan Canopy

THE EVOLUTION CONTINUES...

Single &  
Three Phase  
Designs



# HeatMaster®

## More New Models

Our high ambient, class F insulation line now includes eleven new commercial condenser fan canopy motors, seven single-phase and four three-phase models.

- Our expanded line is built with UL and CSA recognized Class F insulation for 70°C (158°F) ambient conditions providing longer motor life in commercial applications.
- Ultra-high-torque designs mean the HeatMaster motors work in even the toughest applications.
- Our patented fan canopy is made from high-temperature Olesafe 2360 polypropylene keeps the rain out and cools the motor for extended operation.

### The Customer Is Always Right

"The HeatMaster motor is becoming very popular with contractors. The high temperature application, thru bolts and all-angle mount are preferred over other condenser motors. The three-year warranty is a great bonus!"

*Rich Snyder, Johnstone Supply – Lansing, MI*

"The HeatMaster motor line is a product offering that has been needed in the industry for a long time."

*Joe Gregory, A-1 Electric Motor – Park Hill, KY*

"We have customers coming in looking for the 70°C motor. You guys hit a home run on this one."

*Karl Weiss, ARS – Scottsdale, AZ*

To learn more about the complete line of Class F HeatMaster motors visit your local Century Distributor or visit our website and download bulletin # 6025A at [www.hvac-motors.com](http://www.hvac-motors.com)



Formerly A. O. Smith Electrical Products Company

© 2012 Regal-Beloit Corporation

REGAL

Product listed on page **75, 79-83** of this catalog

"One Simple Connection  
is all you need"

"New"  
1/2 HP Motors  
Now Available!

4-in-1®



## NOW 17 MODELS TO CHOOSE FROM!

We are revolutionizing the world of electric motors...with one simple connection!

Century's new expanded line of 4-in-1® motors replace hundreds of the most popular 1/2-1/15 hp, 48-frame condenser fan motors currently installed with "one simple connection."

No capacitors to switch or complicated wiring diagrams to follow.

### What could be simpler?

Our 4-in-1® motors come in energy-efficient PSC designs, are rated for 1/2-1/15 hp, 208-230 and 460 volt, 825 or 1075 rpm, with totally enclosed construction and are available in all angle sleeve bearing or rugged ball bearing designs.

Class B, 60°C (140°F) AMB  
Class F, 70°C (158°F) AMB



These 4-in-1® motors allow the service contractor to have the right motor for the job for quicker service calls. That means more calls completed per day!

For more information on 4-in-1® replacement motors, visit our website and download bulletin #6001D at: [www.hvac-motors.com](http://www.hvac-motors.com)



Formerly A. O. Smith Electrical Products Company

© 2012 Regal-Beloit Corporation

REGAL

Product listed on page **75** of this catalog

**YOU WILL BELIEVE  
ONE MOTOR CAN FIT**

**NOW...  
1075 & 1625 RPM**

**"Century's Modern Math"**



Three MultiFit® motor models, 1625 RPM and 1075 RPM, replace 1/4, 1/5, 1/6, 1/8, 1/10 and 1/12 horsepower CW and CCW rotation motors with one simple connection. The MultiFit motor is designed to replace all the common condenser fan 42-frame (5" dia. ) and clam-shell motors found in the HVAC market.

**Look What Our Customers Are Saying**

"Such a well engineered and thought out product. Makes for a one-stop service call. I replaced my fan motor at home and was up and running in 15 minutes!"  
*Riley Davis, Charles D. Jones - Kansas City, MO*

"The MultiFit motor is a good investment for truck stock. "Time is money" and this motor will mean a big reduction in trips back for replacement motors and add to your productivity in the field. Every service truck in the field will benefit from this motor."  
*William Kerr, United Refrigeration Co. - Philadelphia, PA*

For more information about the original MultiFit motor contact your local Century Distributor or visit our website and download bulletin # 6027A at: [www.hvac-motors.com](http://www.hvac-motors.com)



Formerly A. O. Smith Electrical Products Company

© 2012 Regal-Beloit Corporation

**REGAL**

Product listed on page **56** of this catalog

**Masterfit® Pro**  
Replacement Motors  
"A Treasure Chest of Innovation"

**New!  
277V Motors**

**features**

- Energy Efficient
- 60 Hertz
- Permanent Split Capacitor
- Reversible
- All Purpose Capacitor Included
- Extended Thru Bolts
- Rheem Mounting Holes in Shell
- 40°C Ambient, Class B Insulation for Blower Motors
- 70°C Ambient, Class F Insulation for Condenser Fan Motors

**All-Purpose Capacitor Included!**

**Century®**  
Formerly A. O. Smith Electrical Products Company

© 2012 Regal-Beloit Corporation

**REGAL**

Product listed on page **73** of this catalog



Formerly A. O. Smith Electrical Products Company  
A Regal Brand



## V-Green

- Variable speed ECM design with integrated user interface
- Capable of delivering up to 80% savings
- Three variable speeds and two manual overrides (high and low)
- Adjustable freeze protection feature
- Battery backup, auxiliary load configurable, and off-board mountable option



## E-Plus New Centurion

- Premium efficient two-speed delivering up to 58% savings
  - PSC on high speed, Cap Start/Cap Run on low speed
- Low start-up costs makes for an economical energy saving alternative
  - Runs quieter and cooler, reducing noise and heat
- Ideal for replacement where existing timer already in place



## 2Green

- Premium efficient two-speed design with built-in digital timer interface
- PSC on high speed, Cap Start/Cap Run on low speed
- Built-in battery backup protects programming for 7 full years
- Manual override for easy pool maintenance without disturbing timer programming
- LCD display with on-screen status updates, backlight, and adjustable contrast



**Century – Your Trusted Resource  
for Energy Efficient Pool & Spa Replacement Pump Motors!**  
Meeting California, Florida, and Arizona energy efficiency requirements for replacement motors.



*Formerly A. O. Smith Electrical Products Company*

1325 HEIL QUAKER BLVD.  
LAVERGNE, TN 37086  
PH: 800-672-6495  
FAX: 800-468-2062

[centuryelectricmotor.com](http://centuryelectricmotor.com)

A Regal Brand

The Regal logo, consisting of the word "REGAL" in a bold, italicized, white, sans-serif font, set against a dark gray, trapezoidal background that tapers to the right.

**REGAL**

[www.regalbeloit.com](http://www.regalbeloit.com)