

Aftermarket Specialists



Albany, OR



Leominster, MA



Beilun, China



Elkhart, IN



Reidsville, NC



Sriracha, Thailand



Headquarters. Greensboro, NC

Quality, innovation and customer service aren't just catch phrases at Camco - they're our goals. And we work toward them every day, in every department from the front office to shipping. Each of our more than 200 employees stands behind the products that bear the Camco name.

When Camco began in 1968 with one employee and one product, there was little indication that we would experience the phenomenal growth that resulted in our being named to the North Carolina 100 by Business North Carolina for six years in a row. Hard work, determination and adherence to these ideals have enabled us to achieve great success.

We take pride in providing outstanding service. Most orders received by noon are shipped the same day. Our friendly, knowledgeable customer service staff stands ready to assist our customers with any questions.

Camco is a small, privately-held company with big aspirations. When you place an order with us, we'll demonstrate this with our actions. Let us help make your business as successful as it can be.

Don Caine

President

Contents

Featured Products	2
WATER HEATER PARTS	
FAQs, Water Heater	4
Elements	6
Thermostats	10
Diagnostic Equipment	12
Gas Parts & Accessories	13
Connectors & Kits	14
Tools & Wrenches	15
Anode Rods & Accessories	16
Drain Valves & Hoses	17
Drain Pans & Fittings	18
OVEN/RANGE PARTS	
Electric Burners & Accessories	20
Pans, Bowls & Knob Kits	21
Bake & Broil Elements	22
LIQUIDS PRODUCTS	
Windshield Washer Fluid	24
Fresh Water Antifreeze	25
Boiler Antifreeze	26
Residential/Commercial Cleaners	27
Campfires, Lighters & Sparkers	28
Retail Displays	29
Index	33

Online Troubleshooting Manuals

Download from www.camco.net

For Water Heaters For Electric Ranges

These Troubleshooting Manuals assist the end user in basic troubleshooting and repairs by helping to identify the problem and choose appropriate replacement parts.

70040 Water Heater Troubleshooting Manual

70115 Range Troubleshooting Manual



FEATURED PRODUCTS



Apartment-Sized Washer Drain Pan

White polypropylene plastic washer drain pan designed specifically for apartment-sized and stackable washers. Will not rust, corrode or crack. Includes 1"/1.5" PVC drain fitting Bottom or side outlet (not pre-cut) • 1"/1.5" drain can pass all codes

- Easy to install • Matte finish • OD 28" x 30"

20762

Page 19

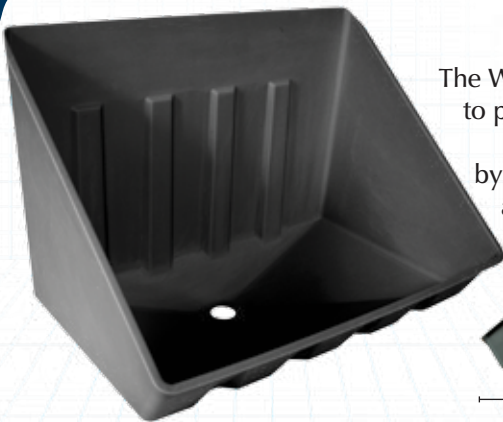


Water Heater Element Quick Change

Save time and water: Turn off water at the water heater to create a vacuum. Securely attach Water Heater Element Quick Change and place bucket handle in grooves of tool to catch excess water while replacing your water heater elements.

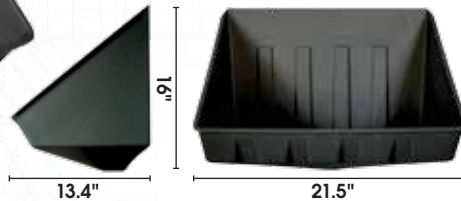
09973

Page 9



Tankless Water Heater Drain Pans

The Wall Saver™ is made of injection-molded no-break polypropylene to provide superior strength and durability. Wall-mounted drain pan fits under most whole-house tankless water heaters; is required by building codes. Recyclable and non-toxic. U.S. Patents 8104634 and D653745. W: 21.5"; H: 16"; D: 13.4". Drain fitting included.



11470 with PVC Fitting
11476 with CPVC Fitting

Page 19



Heavy Duty Contractor Hose

Reinforced, abrasion resistant hose for hot water use. Spring reinforced to reduce kinking. Stainless steel fittings. 5/8" diameter. Easier to clean; drinking water safe. 10-year limited replacement warranty Available in 25 ft, 50 ft & 100 ft lengths.

22863 25 ft Contractor Hose
22873 50 ft Contractor Hose
22883 100 ft Contractor Hose

Page 17

Residential Water Heater Construction

Flexible stainless steel or copper connectors — connects to hot and cold water pipe system

Dielectric nipples or heat traps — with thermoplastic lining to prevent thread corrosion

Hot water outlet — water supply to house faucets

Anode rod — a rod composed of sacrificial metal that prevents deterioration of the steel tank and elements by controlling electrolysis

Upper thermostat — turns heating elements on or off to maintain preset or desired temperature; regulates power to the lower thermostat

Lower thermostat — controls lower heating element to maintain desired temperature

Drain valve — a metal or plastic valve used when draining heater for periodic cleaning or replacement of a defective water heater element

Temperature and pressure (T & P) valve — safety device to relieve excessive pressure and/or temperature buildup in tank

Cold water inlet — supplies water for heating to the tank

Run-off tube — carries water or steam safely to drain or drain pan if T & P valve activates

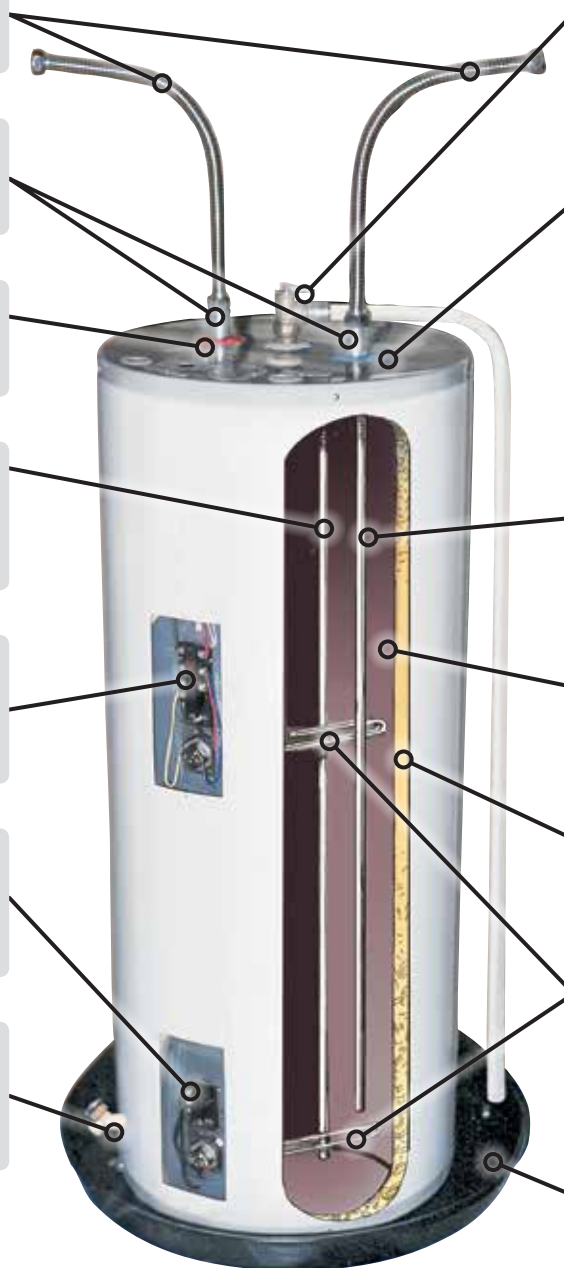
Cold water dip tube — a non-metallic tube that directs incoming cold water to the bottom of the tank

Steel tank with glass lining — to prevent corrosion

Insulation — helps maintain consistent water temperature

Heating element — a resistant type electrical component to generate heat

Drain pan — plastic or metal pan to collect and drain off leaking water or water from activated T & P valve; must be plumbed to drain



Water Heater Element Warranty



Limited Warranty: Elements will be replaced to the original purchaser if proven defective in materials or workmanship. No labor costs are included in this warranty. Complete warranty information available upon request. Warranty is void if element is installed in anything other than a residential hot water heater.

Standard and Better Elements – 1 year from purchase date.

Premium Elements – 5 years from purchase date.

No expressed or implied warranty is made with respect to this product including warranty of merchantability or fitness for a particular purpose. If an item is determined to be defective our return policy is limited to the replacement of original purchase.

Frequently Asked Questions About Water Heaters

Electric Water Heater Elements

I don't have hot water. How do I determine what is wrong?

Check the breaker or fuse box for a blown fuse or tripped breaker. If this is not the problem, shut off the power to the water heater. (IMPORTANT!) The problem may be caused by a defective or shorted element(s) or thermostat(s) or both. If you are experienced with plumbing and electrical tools, you can do the repairs yourself. If you are at all hesitant, call a plumber or electrician. Camco Mfg. provides a water heater tester (#10023) that lets you test the elements and thermostats while they remain installed on the heater. Instructions are included.

What causes water heater elements to fail, some sooner than others?

Several reasons: power surges, lightning, lime buildup and dry-firing (see below: *What is meant by the term "dry-firing?"*). Most water heaters are sold with high watt-density (HWD) elements. These are the least expensive and are the most susceptible to these problems. On a "Standard-Better-Premium" scale the HWD elements are STANDARD.

Why are some water heater elements folded back?

These are low watt-density (LWD) elements. The heat output (watts) per square inch of surface area is lower than that of a regular element. In order for total heat to be the same, the total surface has been increased. It is folded back so the length will fit the tank. Not all LWD elements are fold-backs. In areas with "hard" water, a LWD element resists lime build-up on its surface, thus extending its life. These elements are BETTER.

What are Lime Life elements?

These elements are PREMIUM. They are made of stainless steel and are ultra low watt-density. These features prevent lime build-up and extend the life of the element. A Lime Life element is resistant to dry-firing. These elements carry a limited 5-year warranty. Because of the low watt-density, these elements are folded back to reduce the length. Some are rippled to further reduce the length to fit the diameter of the tank.

What is meant by the term "dry-firing?"

High watt density and low watt-density are designed to function in water. If not surrounded by water, the intense heat they generate (dry fire) will cause them to burn out. The water tank must be full of water whenever the power is on. Dry-fire failure is not covered by any warranty. It is a human error. Dry-fired elements are easily detected. The element is soft and easily bent. In most cases, a hole is burned through the surface.

Can I replace the element in my water heater with higher wattage elements?

It is not recommended. The water heater is designed for that element size. Higher wattage might require heavier gauge wire and a larger capacity circuit breaker.

Can I use a water heater element in an application other than a water heater?

It is not recommended. These elements are designed specifically for residential water heaters. We have no experience or knowledge of other uses. You may do so at your own risk. Non-water heater use of our elements and thermostats voids all warranties.

I just installed a water heater element and now my heater makes a humming sound.

This is called a "harmonic." If the element is installed so that the loop is horizontal, the vibration from the electric current will cause the element to hum. This noise can be prevented by installing so that the loop is vertical. The flanged elements have markings on the flange indicating the vertical position of the loop. To eliminate the humming on screw-in elements, tighten the element another half turn. In some instances, less than a half turn will stop the harmonic.

Why aren't the two elements operating simultaneously?

In most residential water heaters only one element is on at any given time. The lower element does 90% or more of the heating. During periods of heavy use, the upper element clicks on (the lower switches off) and heats the upper part of the tank to 120°. It then shuts off, turns on the lower, and it heats the water to the setting of the lower thermostat.



Frequently Asked Questions About Water Heaters

Electric Water Heater Thermostats

Are water heater thermostats adjustable?

Most water heater thermostats provided by Camco are adjustable. They are factory set at 120°. On a two-element water heater, it is not recommended that the upper thermostat be adjusted. If a higher water temperature is desired, adjust the lower to a higher setting. Both may be lowered if a cooler temperature is desired. On thermostats without a degree dial, the temperature range is:

the Dot =	110° F
Hot=	120° F
A=	130° F
B=	140° F
C=	150° F
Very Hot=	160° F

I noticed that there are two styles of water heater thermostats. Are they interchangeable?

Yes, like models of the two thermostat manufacturers are interchangeable. Use caution in selecting the correct model for their position on the heater (upper, lower, single element T-stat).

How do I know which thermostat to buy?

A two-element water heater has two thermostats: an upper and a lower. Each must be replaced with a thermostat with the same function: upper for upper, lower for lower. They cannot be interchanged, as they perform specific functions. A single-element water heater has only one thermostat and that is called a "single element thermostat." The upper and lower thermostats for a two-element heater cannot be used on a single-element water heater and vice versa.

Other Miscellaneous Questions

I opened the drain valve and very little water flowed.

You probably have sediment and scale build-up on the bottom of the tank that is blocking the valve. In areas where the water is very "hard" or well water is used, lime build-up can occur. The high heat of the heater elements will cause scale and sediment to coat the elements and settle on the tank bottom. Light build-up of sediment may be removed by attaching a water hose to the drain valve. Drain the tank every 6-12 months, more often if necessary.

IMPORTANT: TURN OFF POWER FIRST OR IT COULD CAUSE ELEMENT BURN OUT.

The Temperature and Pressure relief valve has a threaded outlet. What attaches to it?

The T&P valve outlet must have a run-off tube attached to it. Most building codes require a tube that terminates 6" from the floor. If the T&P valve activates, water should flow into a drain or into a water heater pan that is plumbed to a drain. This run-off tube may be metal or plastic. Check local plumbing codes for correct material for your area.

What are dielectric fittings and connectors?

When fittings of unlike metals are joined together (copper with brass, brass with steel, etc.) the faint electrical current that is present in any water pipe system will cause erosion of the threads in one or both of the fittings and cause leaking. The plastic liner or sleeve in the dielectric fittings and connectors prevents this from happening. Note: Stainless steel fittings and connectors are naturally dielectric and do not need the plastic lining.

What is an anode rod?

It is a magnesium or aluminum rod inserted in the heater, from the top, in an opening of its own or as part of the outlet nipple. The metal is self-sacrificing (corrodes); this protects the tank and elements from corroding. Replacement anode rods are available and easy to install.

Are water heater drain pans necessary?

It depends on the plumbing codes in your area and the location of your water heater. If your heater is in a garage or a non-finished basement where leaking water would flow harmlessly into a drain, a pan is not necessary. However, if the heater is in or above a living space where leaking could cause extensive water damage, it is cheap insurance to protect your home from such an event.

What type of pan should be used?

Plastic pans should be used with electric water heaters, and metal pans should be used for gas water heaters and can be used with electric water heaters. Codes in some areas require metal pans for all heaters installed in a living space.

What is the purpose of a water heater stand?

A stand is used primarily with gas water heaters when installed in garages and basements where combustible fumes may exist. Gas heaters have an open flame, and tests have shown that placing a gas water heater at least 16" above the floor will offer some protection against combustion of volatile fumes.



Water Heater Elements

Fits most models: • American • A O Smith • Bradford White
 • Craftmaster • General Electric • GS Wood (some models)
 • Kenmore • Lochinvar • Maytag • Mor-Flo • Reliance
 • Rheem • Richmond • Ruud • Sears • State • Whirlpool

Premium - Lime Life Water Heater Elements - Ultra Low Watt Density - Our best immersion elements

UL listed & Canadian Listed - 5 year limited warranty (see page 3) Detailed instructions and gasket included with each packaged element

Made of the highest grade nickel and chromium incoloy - Ultra low watt density: burns at 50 watts per square inch - Resists dry firing - Best when water has high mineral content - Heats in lime and sand buildup that would burn out ordinary elements



Stock #	Watts @ 240v	Watts @ 208v	Watts @ 120v	Nominal Voltage	Type	Min. Tank Diameter	Case Qty.
---------	--------------	--------------	--------------	-----------------	------	--------------------	-----------

Screw-In Foldback (1" NPSM; Fits most screw in type water heaters.) includes gasket #06822

02853	-	-	1500w	120v	Ultra LWD	9"	12
02903	2500w	2000w	-	240v	Ultra LWD	12"	12
02913	3500w	2500w	-	240v	Ultra LWD	15"	12
02923	4500w	3500w	-	240v	Ultra LWD	15"	6
02933	5500w	4125w	-	240v	Ultra LWD	15"	12

Screw-In Ripple Foldback

(1" NPSM; Fits most screw in type water heaters.) includes gasket #06822

02953	4500w	3500w	-	240v	Ultra LWD	15"	6
02963	5500w	4125w	-	240v	Ultra LWD	15"	3

Universal Flange Foldback includes gasket #06882

04943	4500w	3500w	-	240v	Ultra LWD	15"	6
04963	5500w	4125w	-	240v	Ultra LWD	15"	6

Screw-In - Special Order Only

(1" NPSM; Fits most screw in type water heaters) includes gasket #06822

02152	1500w	1125w	-	240v	Ultra LWD	12"	12
02972	6000w	4500w	-	240v	Ultra LWD	24"	12

Screw-In Foldback

Screw-In Ripple Foldback

Universal Flange Foldback

Better - Low Watt Density Elements - 1 year warranty

UL listed & Canadian Listed - 1 year limited warranty (see page 3) Detailed instructions and gasket included with each packaged element

Made of copper tubing with magnesium oxide and nickel plating - Low Watt Density: Burns at 73 watts per square inch

Stock #	Watts @ 240v	Watts @ 208v	Watts @ 120v	Nominal Voltage	Type	Min. Tank Diameter	Case Qty.
---------	--------------	--------------	--------------	-----------------	------	--------------------	-----------

Screw-In (1" NPSM; Fits most screw in type water heaters) includes gasket #06822

02463	-	-	1500w	120v	LWD	10"	12
-------	---	---	-------	------	-----	-----	----

Screw-In Foldback (1" NPSM; Fits most screw in type water heaters) includes gasket #06822

02493	2500w	2000w	-	240v	LWD	10"	12
02523	3500w	2500w	-	240v	LWD	11"	12
02583	4500w	3500w	-	240v	LWD	13"	12
02613	6000w	4500w	-	240v	LWD	17"	12

Flat Flange Foldback includes gasket #06842

04103	4500w	3500w	-	240v	LWD	13"	12
-------	-------	-------	---	------	-----	-----	----

Universal Flange Foldback includes gasket #06882

04703	4500w	3500w	-	240v	LWD	13"	12
-------	-------	-------	---	------	-----	-----	----

Screw-In Special Order Only - includes gasket #06822

Stock #	Watts @ 277v	Watts @ 240v	Watts @ 120v	Nominal Voltage	Type	Min. Tank Diameter	Case Qty.
04752	2000w	1500w	-	277v	LWD	9"	12
04762	4500w	3380w	-	277v	LWD	15"	12

Screw-In

Screw-In Foldback

Flat Flange Foldback

Universal Flange Foldback

Water Heater Elements

Fits most models: • American • A O Smith • Bradford White
 • Craftmaster • General Electric • GS Wood (some models)
 • Kenmore • Lochinvar • Maytag • Mor-Flo • Reliance
 • Rheem • Richmond • Ruud • Sears • State • Whirlpool

Standard - High Watt Density Elements - 1 year warranty

UL listed & Canadian Listed - 1 year limited warranty (see page 3) Detailed instructions and gasket included with each packaged element

Made of copper tubing with magnesium oxide and nickel plating - High Watt Density: Burns at 150 watts per square inch

Stock #	Watts @ 240v	Watts @ 208v	Watts @ 120v	Nominal Voltage	Type	Min. Tank Diameter	Case Qty.
Screw-In (1" NPSM; Fits most screw in type water heaters.) includes gasket #06822							
02483	-	-	1650w	120v	HWD	7.5"	6
02103	-	-	1000w	120v	HWD	8"	12
02143	-	-	1500w	120v	HWD	9"	6
02163	1500w	1200w	-	240v	HWD	9"	12
02183	-	-	1750w	120v	HWD	9"	12
02203	-	-	2000w	120v	HWD	9"	12
02223	2000w	1500w	-	240v	HWD	9"	12
02243	2500w	2000w	-	240v	HWD	10"	12
02263	3000w	2250w	-	240v	HWD	12"	6
02283	3500w	2500w	-	240v	HWD	14"	12
02293	3800w	3000w	-	240v	HWD	15"	12
02303	4000w	3000w	-	240v	HWD	15"	12
02343	4500w	3500w	-	240v	HWD	15"	12
02862	-	5500w	-	208v	HWD	12"	1

Screw-In Foldback (1" NPSM; Fits most screw in type water heaters.) includes gasket #06822							
02363	5500w	4125w	-	240v	HWD	11"	12
02643	4500w	3500w	-	240v	HWD	9"	12

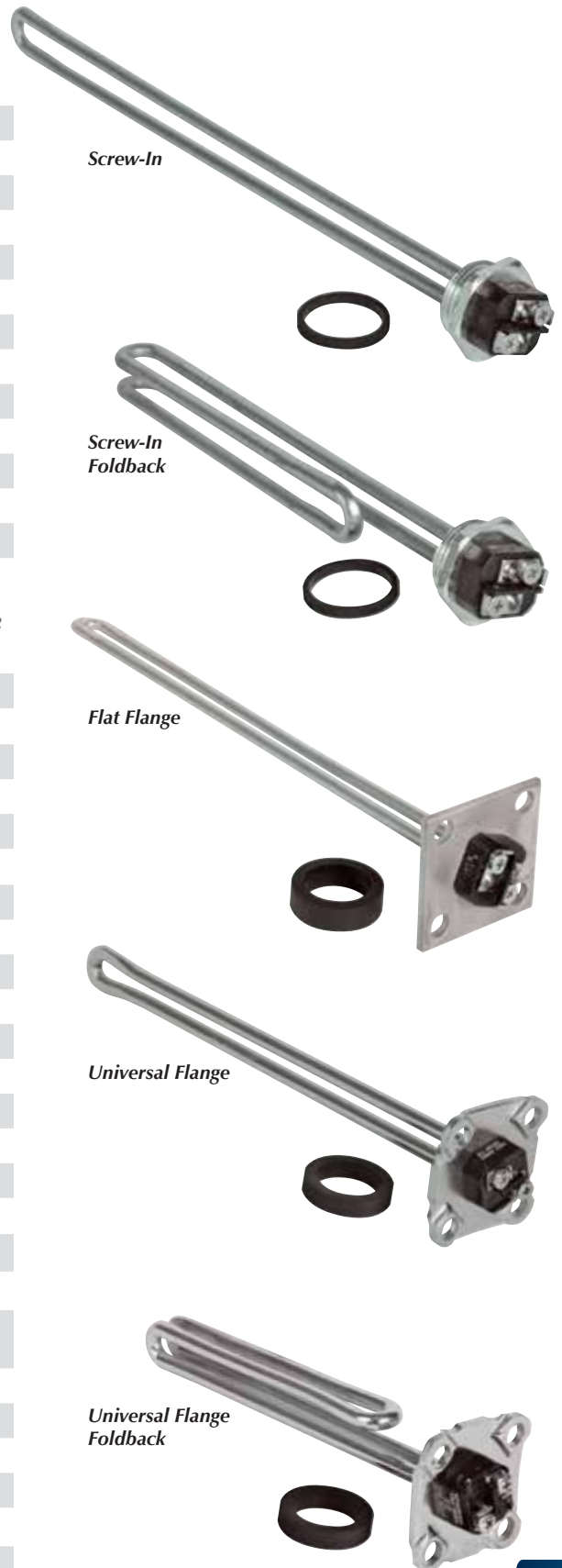
Flat Flange includes gasket #06842							
03743	-	-	1500w	120v	HWD	9"	12
03923	3500w	2500w	-	240v	HWD	14"	12
03943	4500w	3500w	-	240v	HWD	15"	12

Universal Flange includes gasket #06882							
04363	-	-	1500w	120v	HWD	9"	3
04383	1500w	1200w	-	240v	HWD	8"	12
04443	-	-	2000w	120v	HWD	9"	12
04483	2500w	2000w	-	240v	HWD	10"	6
04503	3000w	2250w	-	240v	HWD	12"	12
04523	3500w	2500w	-	240v	HWD	14"	12
04563	4000w	3000w	-	240v	HWD	15"	12
04603	4500w	3500w	-	240v	HWD	15"	6
04643	5500w	4125w	-	240v	HWD	11"	12

Universal Flange Foldback includes gasket #06882							
04803	4500w	3500w	-	240v	HWD	9"	12

Screw-In - Special Order Only includes gasket #06822							
Stock #	Watts @ 480v	Watts @ 277v	Watts @ 240v	Nominal Voltage	Type	Min. Tank Diameter	Case Qty.
02382	4500w	-	-	480v	HWD	12"	12
02352	5000w	-	-	480v	HWD	12"	12
02392	6000w	-	-	480v	HWD	14"	12
04732	-	4500w	3380w	277v	HWD	15"	12

Screw-In Foldback - Special Order Only includes gasket #06822							
04742	-	6000w	4500w	277v	HWD	13"	12



Stock elements that end in 3 are carded. To order items in bulk, change the last digit of the stock number to 2. Minimum order quantity for bulk elements is 25. See page 6 for Replacement Gaskets.

Water Heater Elements

Low Watt Density & Ultra Low Watt Density Duron® Elements

1-3/8" thread screw-in style elements for the State Industries manufactured Duron tank water heaters. Also used in Sears Duron tank water heaters. Each element includes two gaskets.

Stock #	Watts @ 240v	Watts @ 208v	Watts @ 120v	Nominal Voltage	Type	Min. Tank Diameter	Case Qty.
---------	--------------	--------------	--------------	-----------------	------	--------------------	-----------

Better - Screw-In Foldback 1 year limited warranty (see page 3)

02713	3800w	3000w	-	240v	LWD	13	12
02723	4500w	3500w	-	240v	LWD	13	12

Premium - Screw-In Ripple Foldback 5 year limited warranty (see page 3)

02753	4500w	3500w	-	240v	Ultra LWD	15	6
-------	-------	-------	---	------	-----------	----	---



1-3/8" Thread
Screw-In Foldback

For the State Industries manufactured Duron tank water heaters. Also used in Sears Duron tank water heaters.

Element Conversion Kit

Use a standard screw-in element to replace a flat, universal or round flange element using the Element Conversion Kit.

This adapter kit is intended for use with a screw-in type element to replace water heater elements that look like figures 1, 2 or 3.

Stock#	Description	Qty.
07223	Universal Adapter Kit	12

07223 contains: (1) 2-1/2" 4-bolt Adapt-a-Flange, (1) Four Hole Gasket, (4) 5/16" - 18 5/8" Hex Washer-Head Bolts (1) Screw-In Gasket and (1) Thermostat Bracket

07222	2-1/2" 4-Hex Bolt Adapt-A-Flange only	50
-------	---------------------------------------	----



Directions:

Remove screws and discard old element and thermostat bracket.

Install screw-in element and gasket supplied with element into square adapter flange. Tighten firmly.

Install gasket (supplied with this kit) in element seat, being careful to ensure a good seat. See diagrams to determine which gasket to use.

Install element with new thermostat bracket using old screws or new ones provided. Be careful that screws are not too long and bottom out against the tank.

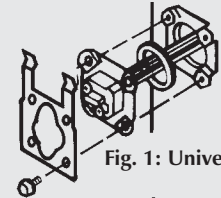


Fig. 1: Universal

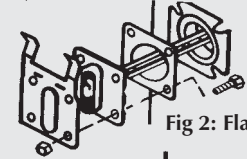


Fig 2: Flat

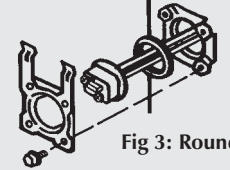
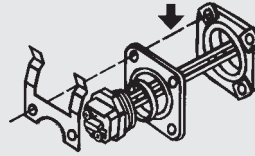


Fig 3: Round

Replacement gasket goes here.



Element Gaskets

Stock #	Description	OD	ID	Thickness	Qty
06822	Screw-In Element Gasket	1.425"	1.225"	0.165"	25
06842	Flat Flange Element Gasket	1.625"	1.1875"	0.50"	25
06882	Universal Flange Element Gasket	1.64"	1.13"	0.35"	25
06902	Four Hole Element Gasket	-	1.5625"	0.0625"	25
07133	Universal Gasket Kit (One each of 06822, 06882, 06902)				12



Open Coil Dry Water Heater Elements

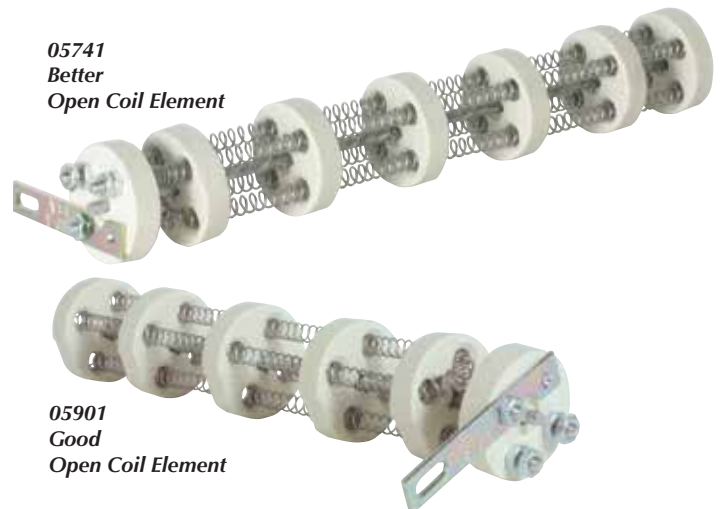
Stock#	Watts	Volts	Insulators	Min. Tank Diameter	Pkg.	Qty.
--------	-------	-------	------------	--------------------	------	------

Better Heavy gauge nichrome wire with spot welded terminals

05741	1500w	120v	7	12 3/4"	Box	12
05742	1500w	120v	7	12 3/4"	Bulk	25
05761	1750w	120v	7	12 3/4"	Box	12
05762	1750w	120v	7	12 3/4"	Bulk	25
05781*	2000w	120v	7	12-3/4"	Box	12
05782*	2000w	120v	7	12-3/4"	Bulk	25
05801*	2000w	240v	7	12-3/4"	Box	12

Good Smaller gauge nichrome wire with spot welded terminals

05701*	1000w	120v	6	11"	Box	12
05901	1500w	120v	6	11"	Box	12
05902	1500w	120v	6	11"	Bulk	25



05741
Better
Open Coil Element

05901
Good
Open Coil Element

* Limited Quantities

Stock elements that end in 3 are carded. To order items in bulk, change the last digit of the stock number to 2. Minimum order quantity for bulk elements is 25.

Water Heater Repair

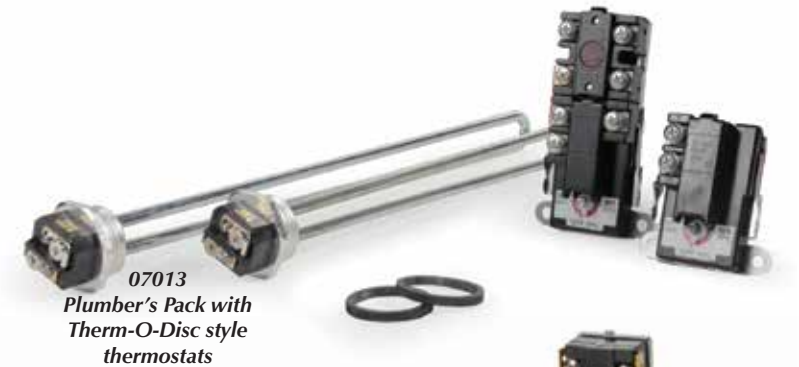
Water Heater Repair Kits for the DIY or professional plumber

All the parts needed to repair or renew an electric water heater system

Fits most models: • American • A O Smith • Bradford White • Craftmaster • General Electric • GS Wood (some models) • Kenmore • Lochinvar • Maytag • Mor-Flo • Reliance • Rheem • Richmond • Ruud • Sears • State • Whirlpool

Standard - With High Watt Density Elements

Stock #	Description	Qty
07013	Plumber's Pack w/Therm-O-Disc Style T-stats Contains: (2) #02342 High Watt Density Elements 4500w 240v (1) #08122 Therm-O-Disc lower thermostat (1) #08162 Therm-O-Disc upper thermostat	6
07023	Plumber's Pack w/Apcom Style Thermostats Contains: (2) #02342 High Watt Density Elements 4500w 240v (1) #07722 Apcom style lower thermostat w/protector (1) #07862 Apcom style upper thermostat w/protector	6



Better - With Low Watt Density Elements (not shown)

07033	Plumber's Pack w/Therm-O-Disc Style T-stats Contains: (2) #02582 Low Watt Density elements 4500w 240v (1) #08122 Therm-O-Disc lower thermostat (1) #08162 Therm-O-Disc upper thermostat	6
07043	Plumber's Pack w/Apcom Style Thermostats Contains: (2) #02582 Low Watt Density elements 4500w 240v (1) #07722 Apcom style lower thermostat w/protector (1) #07862 Apcom style upper thermostat w/protector	6



Stock items that end in 3 are carded.

Water Heater Element Quick Change

Save time and water: Turn off water at the water heater to create a vacuum. Securely attach Water Heater Element Quick Change and place bucket handle in grooves of tool to catch excess water while replacing your water heater elements.

09973

Collapsible Bucket

The perfect size for many around-the-house uses. Also great for RVing, camping, fishing and more. Great for use in tight spaces; under sink drain traps and water heater drain valves. Opens to 9.25 inches and folds down to less than 2 inches for compact storage. Zippered storage bag included.

42993



09973

NO NEED
to drain
your tank

42993

Water Heater Thermostats

Apcom Style

UL listed • Meets original specification lengths for American, AO Smith, Bradford White, GE, GSW, Kenmore, Maytag, Reliance, Rheem, Richmond, Rudd, Sears, State, Whirlpool

- Carded thermostats are packed in convenient cut cases and come complete with detailed instructions and wiring diagrams for easy installation
- Built-in safety switch to prevent overheating • Energy efficient range setting

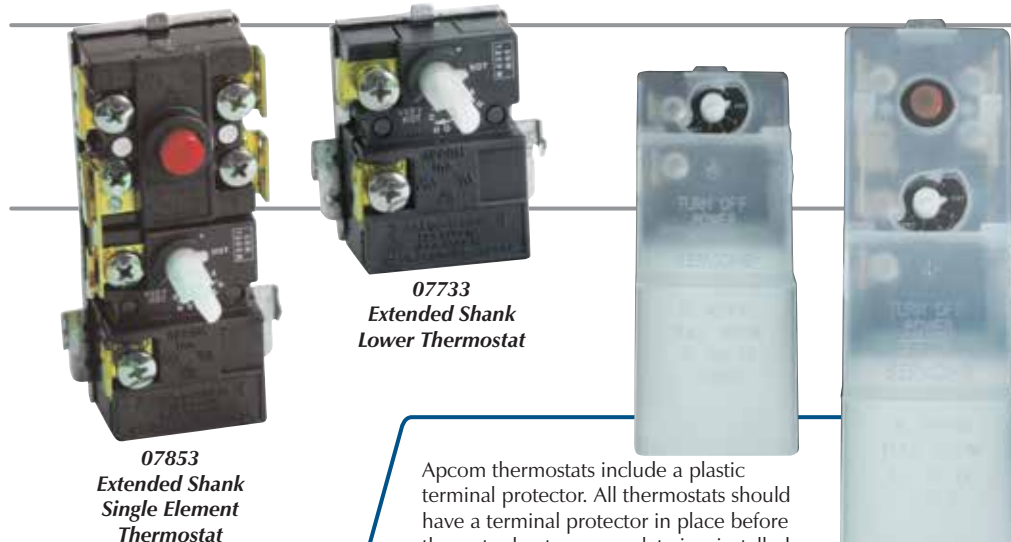
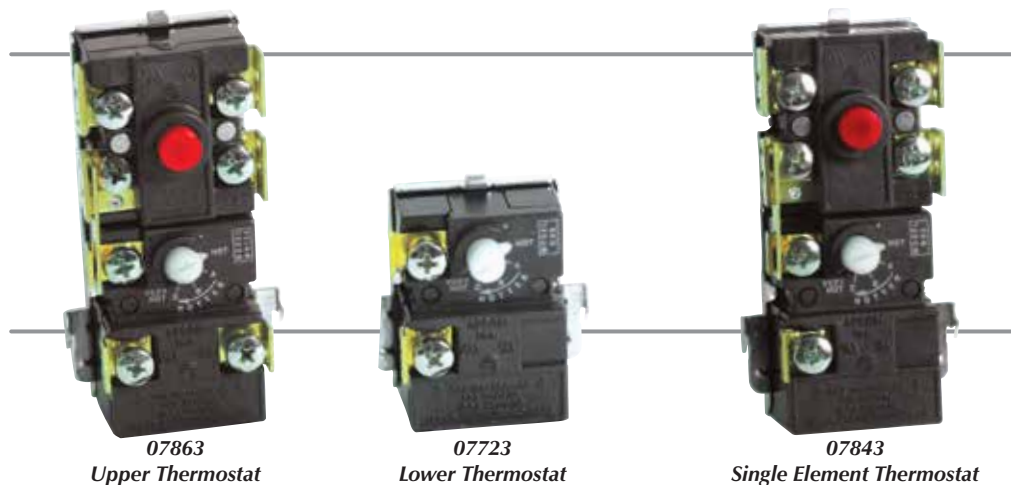
Apcom Style Thermostats

Stock #	Description	Apcom Style	HLC	Terminal Protector	Application Voltage	Qty.
07863	Thermostat, Upper	WH10A	Yes	Yes	240/208/120	6
07723	Thermostat, Lower	WH9	-	Yes	240/208/120	6
07843	Thermostat, Single Element	WH9	Yes	Yes	240/208/120	6

Apcom Style Extended Shank

07853	Thermostat, Single Element	WH9	Yes	Yes	240/208/120	12
07733	Thermostat, Lower	WH9	-	Yes	240/208/120	6

HLC = High Limit Control



Apcom thermostats include a plastic terminal protector. All thermostats should have a terminal protector in place before the water heater cover plate is reinstalled.

Apcom Style Settings

Dot = 110°F B = 140°F
Hot = 120°F* C = 150°F
A = 130°F Very Hot = 160°F
* Factory preset at 120°

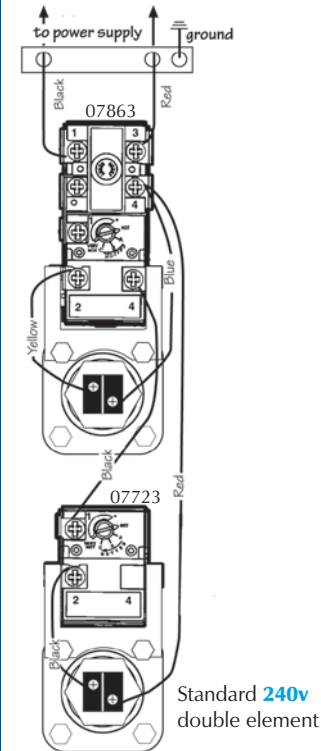


Apcom Style

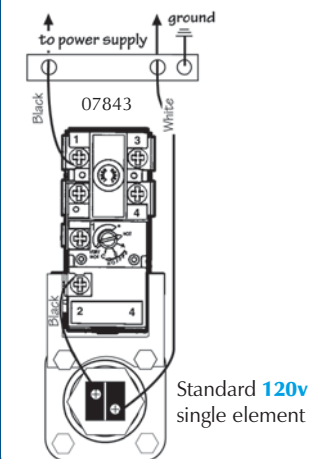
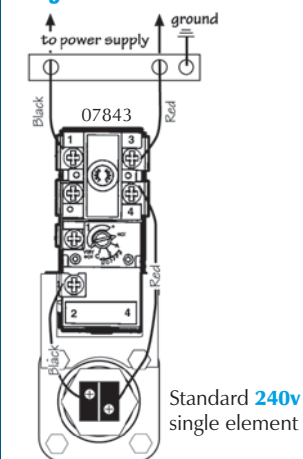
Wiring Diagram of Thermostats to Standard Water Heater Elements

Note: Wire color may vary on some water heaters, but connections remain the same.

Double Element Water Heaters



Single Element Water Heaters



Water Heater Thermostats

Therm-O-Disc Style

UL listed • Meets original specification lengths for American, AO Smith, Bradford White, Craftmaster, GE, GSW, Kenmore, Maytag, Reliance, Rheem, Richmond, Rudd, Sears, State, Whirlpool

- Carded thermostats are packed in convenient cut cases and come complete with detailed instructions and wiring diagrams for easy installation
- Built-in safety switch on single and upper thermostats to prevent overheating • Energy efficient range setting

Therm-O-Disc Style Thermostats

Stock #	Description	Therm-O-Disc Style	HLC	Application Voltage	Qty.
08163	Thermostat, Upper	59T/66T	Yes	240/208/277/120/480	12
08123	Thermostat, Lower	59T	-	240/208/277/120/480	12
08143	Thermostat, Single Element	59T/66T	Yes	240/208/277/120/480	12
08013	Thermostat, Single Element 120V	59T/66T	Yes	120	12
08213	Thermostat, Upper	89T	Yes	240/208/277/120/480	12
08223	Thermostat, Single Element	89T	Yes	240/208/277/120/480	12

HLC = High Limit Control

Therm-O-Disc Style Terminal Protector

Stock #	Description	Qty.
08113	TOD Upper T-Stat Terminal Protector	12
08103	TOD Lower T-Stat Terminal Protector	12

Therm-O-Disc Style Thermostats do not include a Plastic Terminal Protector. Order 08113 or 08103 if shield is damaged or missing.



08163
Upper Thermostat



08123
Lower Thermostat



08143
Single Element
Thermostat



08013
Single Element
Thermostat



08213
Upper Thermostat



08223
Single Element
Thermostat



08113
Upper Thermostat
Protective Cover



08103
Lower Thermostat
Protective Cover

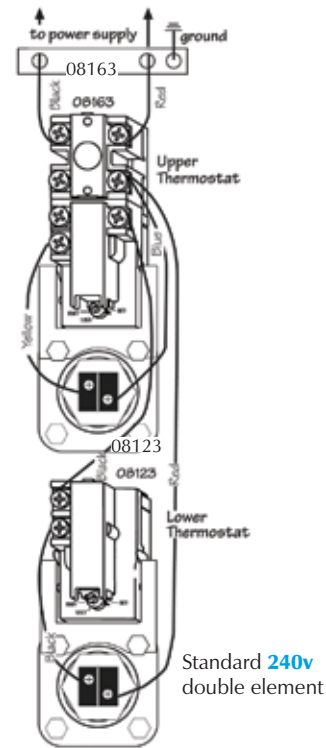
Stock thermostats that end in 3 are carded.
To order items in bulk, change the last digit of the stock number to 2.
Minimum order quantity for bulk items is 25.

Therm-O-Disc Style

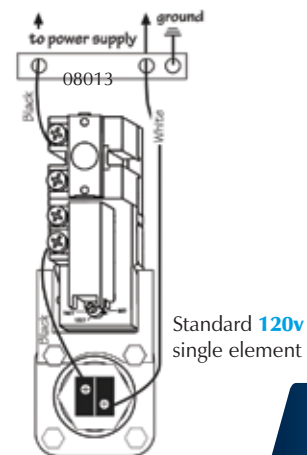
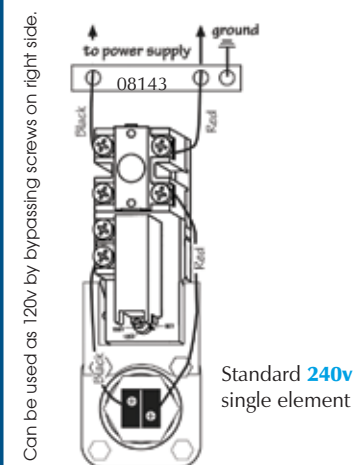
Wiring Diagram of Thermostats to Standard Water Heater Elements

Note: Wire color may vary on some water heaters, but connections remain the same.

Double Element Water Heaters



Single Element Water Heaters



Water Heater Thermostats and Accessories

About Electric Water Heater Thermostats

Double Element Heaters

The majority of residential water heaters are designed with two elements controlled by two different thermostats. The upper thermostat is the "brain" of the water heater. It controls the heat generated by the upper element, and it controls power delivered to the lower thermostat. Most residential water heaters are designed to have the upper and lower thermostats work separately.

The upper and the lower thermostats never operate simultaneously. The upper thermostat has a safety device attached to it called a High Limit Control (HLC). It has a heat sensor that will shut down the power to the heater if the temperature of the tank exceeds safety limits. The button can be reset to restore power to the heater. **Do not reset the HLC until the problem causing the unit to trip is corrected.**

Operation Cycle of Double Element Heaters

1. The upper thermostat senses cold water and has energized the upper element. Although contacts on both thermostats are normally closed in response to the cold water, the double-throw upper thermostat completes the circuit only to the upper heating element. Because of the double throw action, power to the lower thermostat is cut off.
2. As the upper element operates, it heats the water above it (approximately one quarter of the tank's capacity).
3. The water in the upper quarter of the tank is heated until it reaches the temperature set on the upper thermostat. The upper thermostat then breaks the circuit to the upper heating element and completes the circuit to the lower thermostat.
4. The lower element then operates and heats the remainder of the water in the tank.
5. The lower thermostat breaks the circuit to the lower element when the water in the lower portion of the tank has been heated to its setting. The entire tank is now filled with hot water.
6. As hot water is drawn from the top of the tank, cold water is delivered to the bottom of the tank through the dip tube. The lower thermostat reacts to the entering cold water by closing its contacts, energizing the lower heating element and heating the water as it enters the tank.
7. Thermostats are factory preset at 120°.

Single Element Heaters (with high limit)

Most of the smaller water heaters and point-of-use heaters are designed with only one element and thus only one thermostat. Most of the single element water heaters are wired for 120v. Never connect or adapt a 120v water heater to a 240v system.

The high limit control is located on the thermostat. (See diagrams for proper wiring.)

NOTE: Because the HLC is attached to the single element thermostat, it looks similar to an upper thermostat for a two-element heater. Care should be taken in choosing the correct replacement thermostat. An upper thermostat will not work on a single element heater.

Therm-O-Disc Commercial Thermostats

Stock #	Description	T-O-D Style	HLC	Application Voltage	Qty.
08304	Upper Thermostat - 180° F	59T	Yes	480/240/208/120	6
08314	Lower Thermostat -180° F	59T	-	480/240/208/120	6

HLC = High Limit Control

For Commercial Use Only

UL Listed

These thermostats are for commercial use only, not to be used in a domestic setting.

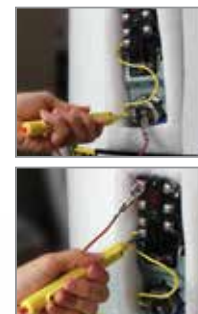
Therm-O-Disc Style Thermostats are not supplied with a Protective Shield. Order 08113 or 08103 (page 11) if shield is damaged or missing.



Water Heater Tester

Tests elements and thermostats while they are in the heater. May also be used to test continuity in fluorescent lights, fuses and all appliances. Sensitive enough to measure even the fine filament wire in a light bulb. Sensitive LED light indicates continuity. Unbreakable body with protective cover over light and probe. More useful than a circuit tester. Complete instructions and batteries included.

Stock #	Description	Case Qty
10023	Water Heater Continuity Tester	12
10025	Water Heater Continuity Tester Display (18 Testers per display)	1



10023 Water Heater Tester



Gas Leak Testing

Gas Leak Detector

Safe, clean-drying gas leak detector fluid detects dangerous leaks in anything that can be tested with air or gas pressure. Just daub or spray on and look for bubbles.

Stock#	Description	Qty.
10324	Gas Leak Detector 8 oz. w/sprayer	6
10325	Gas Leak Detector 8 oz. w/dauber	6
10367	Gas Leak Detector gallon	6
10368	Gas Leak Detector (55 gallon)	1

Gas Leak Detector



10324 10325

Gas Pressure Test Kit

Tests LP and natural gas controls for correct pressure or leaks. 0-20 oz. PSI on inner reading; 0-35" of water column on outer reading. Easy to use and read with 2.5" dial. Includes brass pressure tap fitting and 30" soft hose.

Stock #	Description	Qty.
10389	Gas Pressure Test Kit	1
10399	GP Test Kit Tapered Rubber Nipple	1
10409	Gas Pressure Test Kit Hose	1



10389 Gas Pressure Test Kit

Gas Water Heater Parts & Accessories



08401
Natural Gas



08421
Natural Gas



08461
LP Gas

Natural Gas Controls

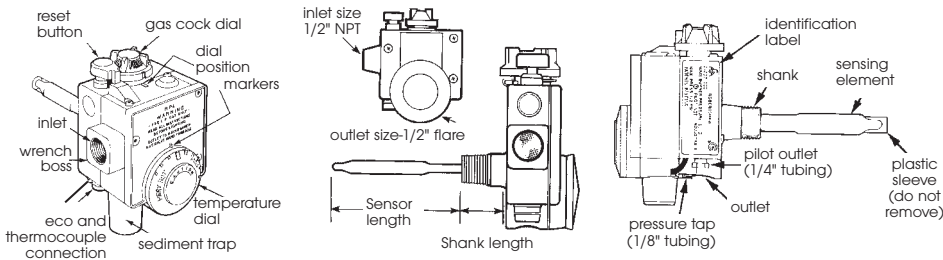
- 4" water column • 1-1/4" shank length • 1/2" NPT gas inlet by 1/2" inverted flare outlet
- Adjustable from 70° to 160° F

Stock#	Brand	Rating	Qty.
08401	White-Rodgers	42000 BTU	1
08421	Robertshaw	79000 BTU	1

LP Gas Controls

- 1/2" NPT gas inlet by 1/2" inverted flare outlet • Preset 10" water column - adjustable from 9" to 12"
- 1-5/8" shank length • Adjustable from 120° to 160° F • 100,000 BTU/HR

08461 | (Left Hand Threads) Robertshaw (for heaters manufactured after January 1986) | 1



Gas Control Extender

- Adds shank length to gas controls • 2" overall length • 3/4" Male NPT x 3/4" Female NPT • Dielectric construction • Thermoplastic lining prevents corrosion

09072 | Gas Control Extender | 50



Universal Gas Control Wrench

For simple installation and removal of gas controls. Adjustable with positive-lock screw.

09963 | Gas Control Wrench | 2

09963 Gas Control Wrench



Thermocouples

Kits contain thermocouple and positioning adapters to fit all gas water heaters as well as gas appliances. Made with copper tubing.

Stock#	Description	Qty.
09253	12" Thermocouple Kit	6
09273	18" Thermocouple Kit	6
09293	24" Thermocouple Kit	6
09313	30" Thermocouple Kit	6
09333	36" Thermocouple Kit	6
09353	48" Thermocouple Kit	6



09253
Thermocouple

Gasket Replacement Kit (FVIR)

Fits Richmond, Rheem, Ruud, Vanguard and General Electric brand water heaters. Kits contain burner access door gasket, #20 Torx-head tool, four torx-head screws, and four J-style clip-on nuts. Kit 09294 also includes a 24-inch thermocouple.

Stock#	Description	Qty.
09423	Burner Access Door Kit	6
09294	Thermocouple Install Kit	6



09294
Gasket Replacement
Kit w/24"
Thermocouple

Gas Water Heater Stand

Many local building codes require a water heater stand for gas water heaters located in areas where the accumulation of combustible fumes may occur. Constructed of galvanized steel. Minimal assembly required. For use with most residential water heaters; Fits up to a 50 gallon water heater. 21" x 21" x 18"

11231 | Gas Water Heater Stand Kit | 1



11231
Gas Water Heater
Stand

Stock items that end in 3 are carded.

Water Heater Connectors & Kits

3/4" Water Heater Connector Kits

Stock #	Description	Qty
10193	15" Copper Connector Kit - Gas or Electric	6
10223	15" x 3/4" Copper Connector Kit - Gas or Electric	6
10533	18" x 3/4" Copper Connector Kit - Gas or Electric	6
10775	18" x 3/4" Stainless Connector Kit - Gas or Electric	6
10795	15" x 3/4" Stainless Connector Kit - Gas or Electric	6
10183	15" Copper Connector Kit - Gas	6
10523	18" Copper Connector Kit - Gas	6
10785	15" Stainless Connector Kit - Gas	6
10765	18" Stainless Connector Kit - Gas	6

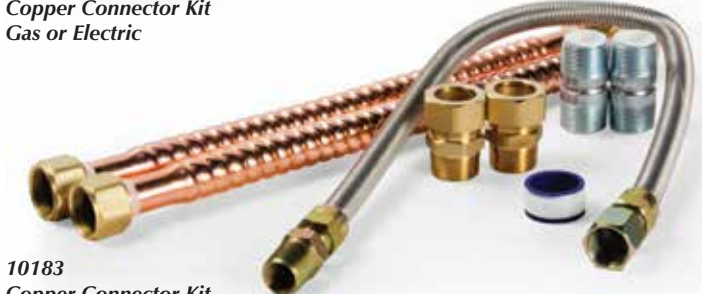
Kit Contains:

	Gas or Electric					Gas			
	10223	10193	10795	10533	10775	10183	10785	10523	10765
(2) Copper Flexible Water Connectors, 3/4" FIP	✓	✓		✓		✓		✓	
(2) Stainless Steel Flexible Water Connectors, 3/4" FIP			✓		✓		✓		✓
(2) Dielectric Nipples, 3/4" NPT x 2" Long	✓	✓	✓	✓	✓	✓	✓	✓	✓
(1) Roll Teflon Tape	✓	✓	✓	✓	✓	✓	✓	✓	✓
(2) Compression Fittings, 3/4" Compression x 3/4" Male NPT		✓	✓	✓	✓	✓	✓	✓	✓
(1) Stainless Steel Gas Connector, 1/2" OD x 24" 1/2" M X F (Tapped 3/8" Female NPT)						✓	✓	✓	✓

Use...	For Water Heater Installation/Replacement of...
10223	GAS or ELECTRIC where "cold" supply and "hot" distribution lines are Threaded and Flexible Gas Connector is not needed or allowed by codes.
10193 10795 10533 10775	GAS or ELECTRIC where "cold" supply or "hot" distribution lines are 3/4" copper (i.e. not threaded) and Flexible Gas Connector is not needed or not allowed by codes.
10183 10785 10523 10765	GAS where "cold" supply or "hot" distribution lines are 3/4" copper (i.e. not threaded) and codes allow use of Flexible Gas Connector.



10223
Copper Connector Kit
Gas or Electric



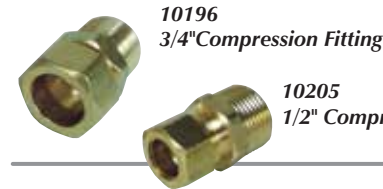
10183
Copper Connector Kit
Gas



10193
Copper Connector Kit
Gas or Electric

Compression Fittings

Stock#	Description	Qty.
10196	3/4" Compression x 3/4" NPT Fitting	6
10205	1/2" Compression x 3/4" NPT Fitting	6



10196
3/4" Compression Fitting

10205
1/2" Compression Fitting

Flexible Water Connectors—Seamless Corrugated Copper

7/8" ID flexible water connectors -125 PSI maximum

10035	18" SWT x 3/4" FIP Cut Case	25
-------	-----------------------------	----

3/4" FIP x 3/4" FIP flexible water connectors-125 PSI maximum

10043	12" Water Connector - Card	12
10053	15" Water Connector - Card	12
10063	18" Water Connector - Card	12
10083	24" Water Connector - Card	12

Flexible Water Connectors—Corrugated Stainless Steel

3/4" FIP x 3/4" FIP flexible water connectors-125 PSI maximum

10735	15" Stainless Water Connector	25
10747	18" Stainless Water Connector	1
10755	24" Stainless Water Connector	12
10072	Washer For Water Connectors - Bulk	25

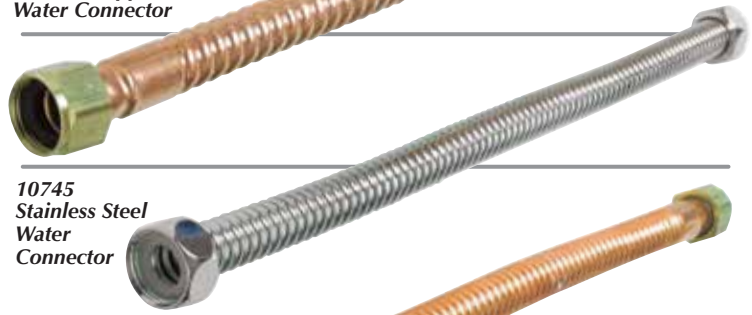
Flexible Gas Connector*

10232	24" x 1/2" OD Stainless Steel, Coated	25
-------	---------------------------------------	----

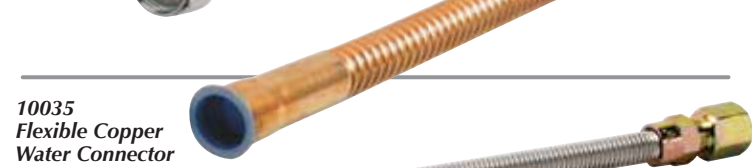
*Gas connectors are certified for household use to 1/2 PSI.



10063
Flexible Copper
Water Connector



10745
Stainless Steel
Water
Connector



10035
Flexible Copper
Water Connector



10232
Flexible Gas Connector

Water Heater Accessories

T & P Valves

• Setting: of 150 PSI / 210°F • Stainless steel spring • All brass body • ANS Z21.22 Design • AGA certified • Furnished with test lever • Epoxy coated extension probe

Stock #	Description	Qty
10421	1/2" Inlet/outlet T & P Valve w/4" Probe - Box	25
10423	1/2" Inlet/outlet T & P Valve w/4" Probe - Card	4
10463	3/4" Inlet/outlet T & P Valve w/1" Probe - Card	12
10471	3/4" Inlet/outlet T & P Valve w/4" Probe - Box	25
10473	3/4" Inlet/outlet T & P Valve w/4" Probe - Card	12
10491	3/4" Inlet/outlet Valve w/2-1/2" Shank - Box	25
10493	3/4" Inlet/outlet Valve w/2-1/2" Shank - Card	12

T & P Valve Remover

10552	Universal T & P Valve Remover - Card	1
-------	--------------------------------------	---

Heat Traps

• Prevents heat escape through the inlet and outlet while water heater is idle • 3/4" NPT x 3/4" NPT x 3" Length • Self-cleaning fittings prevent corrosion • Dielectric inert thermoplastic lining

Stock #	Description	Qty
01013	Dielectric Water Heater Heat Traps - 2/card	12
01022	Dielectric Water Heater Heat Traps - Bulk	24
01023	Dielectric Heat Trap- Flapper Style - 2/card	12

Dielectric Nipples

For water heater inlet and outlet hook-ups and other uses where dissimilar metals occur in piping and plumbing systems. Thermoplastic lining prevents corrosion. 3/4" NPT x 3/4" NPT x 2-1/2" Length

Stock #	Description	Qty
10622	Dielectric Nipples - 2.5" long - Bulk	50
10623	Dielectric Nipples - 2.5" long - 2/Card	12
10602	Dielectric Nipples - 3" long - Bulk	25

Element Wrenches

Zinc plated **Element Wrenches** fit all standard screw-in elements and 1-1/2" nuts. Works with your screwdriver. Goes into offsets where an adjustable wrench can't.

Stock #	Description	Qty
09882	5" Screw-In Element Wrench - Bulk	25
09883	5" Screw-In Element Wrench - Card	12
09942	4" Heavy Duty Element Wrench - Bulk	15
09943	4" Heavy Duty Element Wrench - Card	12

Chrome-plated **Element Socket** fits standard 1/2" socket drive to make easy work of replacing screw-in water heater elements.

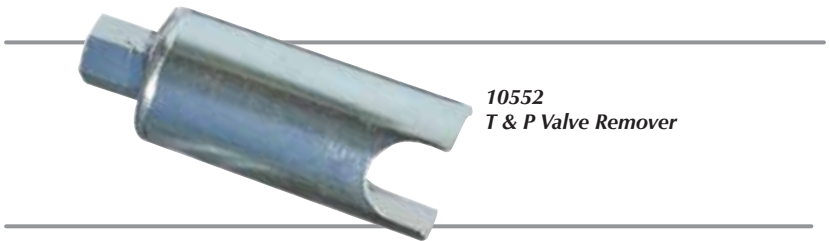
Stock #	Description	Qty
09951	Professional Element Socket - Bulk	6
09953	Professional Element Socket - Clamshell	6



10423
1/2" Inlet/outlet
T & P Valve

10493
3/4" Inlet/outlet
T & P Valve
(2.5" shank)

10473
3/4" Inlet/outlet
T & P Valve



10552
T & P Valve Remover



01023
Flapper-Style
Heat Traps

01013
Heat Traps

10623
Dielectric Nipples



09942
Element Wrench



09951
Professional
Element Socket

Anode Rods and Accessories



10962
Top Mount
Runoff Tube



10952
Center Top Mount
Runoff Tube



11162
Threaded
Dip Tube



10862
Side Mount
Runoff Tube



11062
Flared Dip Tube

Runoff Tubes

• Thermoplastic polypropylene runoff tubes present rigid surface for gripping with standard wrenches • Can be cut to length

Stock #	Description	Qty
10862	Side Mount Runoff Tube	12
10952	Center Top Mount Runoff Tube	12
10962	Top Mount Runoff Tube	12

Water Inlet Dip Tubes

Anti-siphon hole breaks damaging siphon action • Can be cut to length • Made of PEX • Gasket sold separately (#06912)

11062	Flared Dip Tube (52" vertical)	12
11061	Flared Dip Tube (52" vertical) with gasket	12
11162	Threaded Dip Tube (48" vertical)	25
06912	Dip Tube Gaskets - Bag of 25 (Special order only)	1

Residential Water Heater Anode Rods

11572	5/8" OD Anode Rod 42" Long Aluminum	6
11582	3/4" OD Anode Rod 42" Long Aluminum	6
11612	5/8" OD Anode Rod 42" Long Aluminum Flexible (3 Section)	6
11622	3/4" OD Anode Rod 42" Long Aluminum w/Dielectric Nipple	6

RV & Marine Water Heater Anode Rods (not shown)

11533	1/2" OD Anode Rod 4-1/2" long Magnesium with Drain - for Atwood water heaters	6
11553	1/2" OD Anode Rod 4-1/2" long Magnesium for Atwood water heaters (not shown)	6
11563	3/4" OD Anode Rod 9-1/2" long Aluminum for Suburban (Mor-Flo) water heaters (not shown)	6

Pipe Insulation Limited Quantities

3" wide R-5 fiberglass insulation and 1 roll vinyl outer wrap

12660	3' x 25' Fiberglass Pipe Insulation	24
-------	-------------------------------------	----

Dielectric Unions

Use wherever dissimilar metals occur in piping and plumbing systems. Use in water heaters, water storage tanks, water conditioners and water pumps. 3/4" FIP x 3/4" SWT

Stock #	Description	Qty
23503	Dielectric Union 3/4" FIP - Card 2/card	12

11622
3/4" Anode Rod
w/dielectric nipple

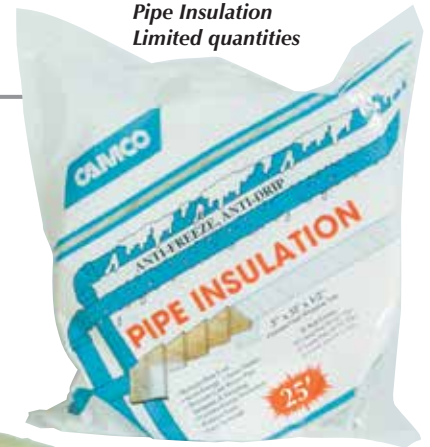


11572
5/8" Anode Rod



11612
Flexible
Anode
Rod

12660
Pipe Insulation
Limited quantities



23503
Dielectric Union

Drain Valves and Contractor Hoses

Brass Water Heater Drain Valve w/Recirculation Elbow

Stock #	Description	Qty
11502	2010 Compliant Valve w/Recirculation Elbow - Bulk	25

Backflow Preventers with stainless steel spring

23303	1/2" Brass Backflow Preventer - Card	6
23402	3/4" Brass Backflow Preventer - Bulk	25

Brass Shut-Off Valves

Solid Brass housing with non-corrosive stainless steel quarter-turn pressure seated shut-off valves. Features easy-grip valve handles and hose connection. 2010 compliant.

20123	Brass Y-Valve	6
20173	Brass 45° Valve	6

Drain Valves

Permanent installation. Fits directly into water heater for easy draining. 3/4" NPT x 3/4" male hose thread. 2-1/2" long. Brass valves are 2010 Compliant.

11512	Water Heater Drain Valve- Brass - Bulk	25
11513	Water Heater Drain Valve- Brass - Card	12
11523	Water Heater Drain Valve- Plastic - Card	12

Water Pressure Regulators

Reduce water pressure to a safe, consistent 40–50 PSI of operational pressure. Protects equipment and prevents hose failure, helping to prolong equipment life. (3/4" M x F Garden Hose Threads) Patented. Brass regulator is 2010 Compliant.

40143	3/4" Plastic Water Pressure Regulator	6
40055	3/4" Brass Water Pressure Regulator	6



11502
Drain Valve with
Recirculation Elbow



23402
Backflow Preventer



20123
Brass Y-Valve



20173
Brass 45° Valve



11513
Water Heater Drain Valve - Brass



11523
Water Heater Drain Valve - Plastic

40143 Plastic
Water Pressure
Regulator



40055 Brass
Water Pressure
Regulator

HEAVY DUTY CONTRACTOR HOSE

Heavy Duty 5/8 inch Contractor Hoses

Reinforced, abrasion resistant hose for hot water use. Easier to clean; drinking water safe. Spring reinforced to reduce kinking. Stainless steel fittings. 10-year limited replacement warranty. Available in 25 ft, 50 ft & 100 ft lengths.

Stock #	Description	Qty
22863	25 ft Contractor Hose	3
22873	50 ft Contractor Hose	3
22883	100 ft Contractor Hose	3

Drain Pans and Fittings

All pans on this page include
Dual-size 1" / 1.5" Drain Pan Fitting

Drain Pans and Fittings

Plastic—For electric water heaters ONLY • 2.63" high sides
• Durable no-break polypropylene pans will not rust, corrode or crack
• Pre-cut side opening for drain fitting • 1"/1.5" drain fitting included (#11452 or #11442)

Stock #	Description	Qty
11260	20" ID 2.63" Deep Plastic Drain Pan w/PVC Fitting	6
11266	20" ID 2.63" Deep Plastic Drain Pan w/CPVC Fitting	6
11460	22" ID 2.63" Deep Plastic Drain Pan w/PVC Fitting	6
11466	22" ID 2.63" Deep Plastic Drain Pan w/CPVC Fitting	6
11360	24" ID 2.63" Deep Plastic Drain Pan w/PVC Fitting	6
11366	24" ID 2.63" Deep Plastic Drain Pan w/CPVC Fitting	6
11400	26" ID 2.63" Deep Plastic Drain Pan w/PVC Fitting	6
11406	26" ID 2.63" Deep Plastic Drain Pan w/CPVC Fitting	6
11410	28" ID 2.63" Deep Plastic Drain Pan w/PVC Fitting	6
11416	28" ID 2.63" Deep Plastic Drain Pan w/CPVC Fitting	6
11420	30" ID 2.63" Deep Plastic Drain Pan w/PVC Fitting	6
11426	30" ID 2.63" Deep Plastic Drain Pan w/CPVC Fitting	6

Plastic Corner Pan—For electric water heaters ONLY • Will not rust, corrode or crack • 1"/1.5" drain fitting included (#11452 or #11442)

11480	24" ID 3" Deep Corner Plastic Drain Pan w/PVC Fitting	6
11486	24" ID 3" Deep Corner Plastic Drain Pan w/CPVC Fitting	6

Aluminum—For gas or electric water heaters • Will not rust, corrode or crack • 1"/1.5" drain fitting included (#11452 or #11442)
• Pre-cut side opening for drain fitting

20800	20" ID 2.25" Deep Aluminum Drain Pan w/PVC Fitting	6
20806	20" ID 2.25" Deep Aluminum Drain Pan w/CPVC Fitting	6
20840	22" ID 2.25" Deep Aluminum Drain Pan w/PVC Fitting	6
20846	22" ID 2.25" Deep Aluminum Drain Pan w/CPVC Fitting	6
20830	24" ID 2.25" Deep Aluminum Drain Pan w/PVC Fitting	6
20836	24" ID 2.25" Deep Aluminum Drain Pan w/CPVC Fitting	6
20833	24" ID 3" Deep Aluminum Drain Pan w/PVC Fitting	6
20810	26" ID 2.25" Deep Aluminum Drain Pan w/PVC Fitting	6
20816	26" ID 2.25" Deep Aluminum Drain Pan w/CPVC Fitting	6
20813	26" ID 3" Deep Aluminum Drain Pan w/PVC Fitting	6
20850	28" ID 2.25" Deep Aluminum Drain Pan w/PVC Fitting	6
20851	28" ID 2.25" Deep Aluminum Drain Pan w/CPVC Fitting	6
20860	30" ID 2.25" Deep Aluminum Drain Pan w/PVC Fitting	6
20866	30" ID 2.25" Deep Aluminum Drain Pan w/CPVC Fitting	6

Aluminum without drain hole—For gas or electric water heaters
• Will not rust, corrode or crack • 1"/1.5" drain fitting included (#11452)

20801	20" ID 2.25" Deep Aluminum Drain Pan w/PVC Fitting	6
20841	22" ID 2.25" Deep Aluminum Drain Pan w/PVC Fitting	6
20831	24" ID 2.25" Deep Aluminum Drain Pan w/PVC Fitting	6
20811	26" ID 2.25" Deep Aluminum Drain Pan w/PVC Fitting	6
20861	30" ID 2.25" Deep Aluminum Drain Pan w/PVC Fitting	6

Galvanized Square

For gas or electric heaters. 1"/1.5" drain fitting included

20922	24" x 24" x 4" Deep Heater Pan - Bulk	1
20932	30" x 30" x 6.25" Deep Heater Pan - Bulk	1

11360
Plastic Drain Pan



11480
Plastic Corner Drain Pan



20830
Aluminum Drain Pan



20922
Galvanized Square Pan



Drain Pan Fittings

Replacements for all Camco water heater and washing machine drain pans. Includes fitting, locknut and washer.

Stock #	Description	Qty
11442	Drain Pan Fitting Kit 1"/1.5" CPVC	25
11452	Drain Pan Fitting Kit 1"/1.5" PVC	25



Drain Pans and Fittings

Washing Machine Drain Pans

• White polypropylene plastic • Will not rust, corrode or crack • Includes 1"/1.5" PVC drain fitting (#11442) • Bottom or side outlet (not pre-cut) • 1"/1.5" drain can pass all codes • Easy to install • Matte finish • ID 27" x 30" x 2-1/8"

Stock #	Description	Qty
20752	30" x 32" OD Washing Machine Drain Pan - Bulk	6

Apartment-Sized Washing Machine Drain Pans

White polypropylene plastic washer drain pan designed and sized especially for apartment-sized washers. Will not rust, corrode or crack. Includes 1"/1.5" PVC drain fitting Bottom or side outlet (not pre-cut) • 1"/1.5" drain can pass all codes • Easy to install • Matte finish

20762	28" x 30" OD Washing Machine Drain Pan - Bulk	6
-------	---	---

Washing Machine Hoses

20500	5' Washing Machine Hose - Bag	12
20502	5' Washing Machine Hose - Bulk	25



20500
Washing Machine Hose

20752
Washing
Machine Pan



20762
Apartment-sized
Washing Machine Pan



Water Heater Drain Pans for Tankless Water Heaters

The Wall Saver™ allows for easier routine maintenance flushing and helps protect floors and walls from leaks, Made of injection-molded no-break polypropylene; will not rust, corrode or crack. Wall-mounted drain pan fits under most whole-house tankless water heaters and is required by building codes. Recyclable and non-toxic. U.S. Patents 8104634 and D653745. Each pan includes a dual-size 1-inch/1.5-inch drain fitting with gasket.

W: 21.5"; H: 16"; D: 13.4".



Drain Pans for Tankless Water Heaters

Stock #	Description	Qty
11470	Tankless Water Heater Drain Pan with PVC fitting	6
11476	Tankless Water Heater Drain Pan with CPVC fitting	6

Top Burners for Electric Ranges

UL listed

**GE / Hotpoint
Plug-in Style**



**Universal
Plug-in Style**



*GE/Hotpoint
with porcelain connector*



Delta Support



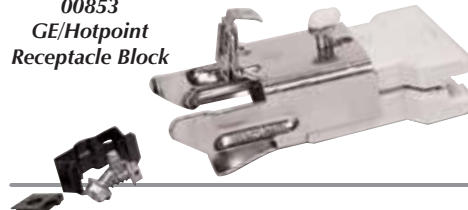
Y Support

Stock#	Description	Watts	Volts	Size	Turns	Support	Chromalox#	Qty.
GE/Hotpoint Plug-In								
00103	GE/Hotpoint Plug-in	1325w	240v	6"	5	Y	CH30x218	6
00113	GE/Hotpoint Plug-in	2350w	240v	8"	6	Y	CH30x219	6
GE/Hotpoint w/Porcelain Connector								
00183	GE/Hotpoint w/trim ring	1325w	240v	7"	5	GE	CH30x356	6
00193	GE/Hotpoint w/trim ring	2125w	240v	9"	6	GE	CH30x354	6
00283	GE/Hotpoint Plug-in w/o trim ring	1325w	240v	6"	5	GE	CH30x342	6
00293	GE/Hotpoint Plug-in w/o trim ring	2125w	240v	8"	6	GE	CH30x341	6
Economy Plug-In Universal								
00143	Universal Economy Plug-in	1250w	240v	6"	3	Y	SP12YA	6
00153	Universal Economy Plug-in	2100w	240v	8"	4	Y	SP21YA	6
00223	Universal Economy Plug-in	1250w	240v	6"	3	Delta	SP12MA	6
00233	Universal Economy Plug-in	2100w	240v	8"	4	Delta	SP21MA	6
Deluxe Plug-In Universal (Deluxe has more heating surface than Economy)								
00243	Universal Deluxe Plug-in	1500w	240v	6"	4	Y	MP15YA	6
00253	Universal Deluxe Plug-in	2100w	240v	8"	5	Y	MP21YA	6
00263	Universal Deluxe Plug-in	1500w	240v	6"	4	Delta	MP15MA	6
00273	Universal Deluxe Plug-in	2100w	240v	8"	5	Delta	MP21MA	6

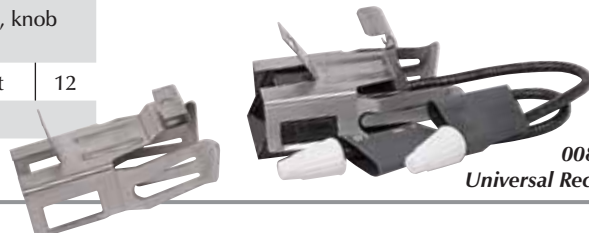
Repair Parts

Stock#	Description	Qty.
00853	GE/Hotpoint Receptacle Block	6
Direct replacement for GE ranges. Includes: (1) metal/porcelain bracket, (2) machine screws, (1) sheet metal screw, (1) wire bracket and (1) nut		
00863	Universal Range Switch - Card	8
Includes: switch, mounting adapter parts, knob adapter		
00873	Universal Receptacle Block Kit	12
Fits most electric ranges except GE		

**00853
GE/Hotpoint
Receptacle Block**



**00863
Universal Range
Switch**



**00873
Universal Receptacle Block**

Pans, Bowls and Knob Kits



Bowl for plug-in elements
UNIVERSAL



Pan for hinged elements
EXCEPT GE / HOTPOINT —
UNIVERSAL



DEEP style bowl
for plug-in elements
GE / HOTPOINT TYPE



pan for hinged elements
GE / HOTPOINT TYPE

Universal Drip Pans and Bowls for Electric Ranges

Stock#	Description	Type	Qty.
00343	6" Chrome Trim Ring	-	12
00353	8" Chrome Trim Ring	-	12
00383	6" Chrome Drip Bowl	Plug-in	12
00393	8" Chrome Drip Bowl	Plug-in	12
00463	6" Chrome Drip Pan	Hinge	12
00473	8" Chrome Drip Pan	Hinge	12
00503	6" Black Porcelain Drip Bowl	Plug-in	12
00513	8" Black Porcelain Drip Bowl	Plug-in	12
00583	6" Black Porcelain Drip Pan	Hinge	12
00593	8" Black Porcelain Drip Pan	Hinge	12

Electric Knob Kit - 4/card

Stock#	Description	Qty.
00883	Electric Range Knobs-Top Burner - Black	12
00923	Electric Range Knobs-Top Burner - White	12
00903	Electric Range Knobs-Top Burner - Chrome	12

Electric Knob Kit - 1/card

00913	Electric Range Knob-Burner/Oven - Black	12
00893	Electric Range Knob-Burner/Oven - White	12
00933	Electric Range Knob-Burner/Oven - Chrome	12

Gas Knob Kit - 4/card

00943	Gas Range Knobs-Top Burner - Black	12
00983	Gas Range Knobs-Top Burner - White	12
00963	Gas Range Knobs-Top Burner - Chrome	12

Gas Knob Kit - 1/card

00973	Gas Range Knob-Burner/Oven - Black	12
00953	Gas Range Knob-Burner/Oven - White	12
00993	Gas Range Knob-Burner/Oven - Chrome	12

Drip Pans and Bowls for GE/Hotpoint Electric Ranges

Stock#	Description	Type	Qty.
00303	6" Chrome Trim Ring	-	12
00313	8" Chrome Trim Ring	-	12
00323	6" Black Porcelain Drip Bowl	Plug-in	12
00333	8" Black Porcelain Drip Bowl	Plug-in	12
00403	6" Chrome Drip Bowl	Plug-in	12
00413	8" Chrome Drip Bowl	Plug-in	12
00423	6" Chrome Drip Pan	Hinge	12
00433	8" Chrome Drip Pan	Hinge	12
00443	6" Blk Porcelain Drip Bowl 1990 - Present	Plug-in	12
00453	8" Blk Porcelain Drip Bowl 1990 - Present	Plug-in	12
00483	6" Chrome Drip Bowl 1990 - Present	Plug-in	12
00493	8" Chrome Drip Bowl 1990 - Present	Plug-in	12
00543	6" Black Porcelain Drip Pan	Hinge	12
00553	8" Black Porcelain Drip Pan	Hinge	12



Reflector Drip Pans for Gas Ranges

Stock#	Description	Type	Qty.
00363	Round Chrome Gas Drip Pan (7")	-	12
00373	Square Chrome Gas Drip Pan (7-3/4")	-	12



00933
Electric Range Knob



00973
Gas Range Knob

- Stock items that end in 3 are packaged with a hang card.
- For bulk items, change the last digit of the stock number to 2.
- Minimum order quantity for bulk rings, pans and bowls is 25.

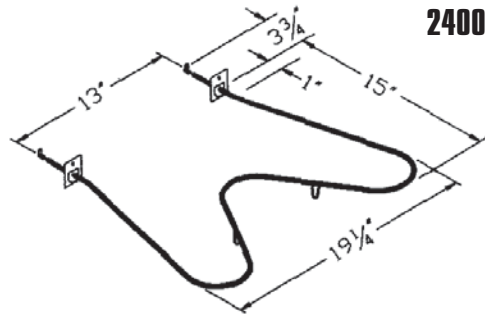
Bake & Broil Elements

Stock#	Description	Watts	Volts	Qty.
Bake Elements				
00611	Bake Element	2400w	240v	6
00621	Bake Element	3000w	250v	6
00631	Bake Element	2700w	240v	6
00641	Bake Element	2500w	240v	6
00651	Bake Element	3000w	250v	6
00681	Bake Element	2585w	250v	6
00701	Bake Element	2600w	240v	6
00711	Bake Element	2585w	250v	6
00721	Bake Element	2475w	250v	6
00731	Bake Element	2200w	250v	6
00741	Bake Element	2585w	250v	6
00751	Bake Element	3100w	240v	6
00761	Bake Element	2400w	240v	6
00791	Bake Element	2500w	240v	6

Broil Elements

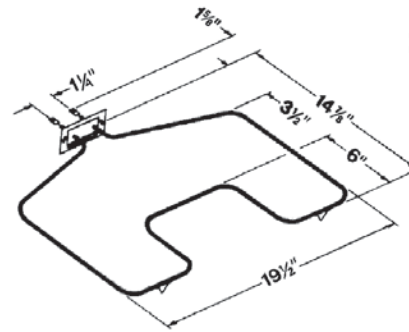
00771	Broil Element	3000w	250v	6
00801	Broil Element	3400w	250v	6
00811	Broil Element	3400w	240v	6
00831	Broil Element	3410w	250v	6

All elements include screw-in hardware.



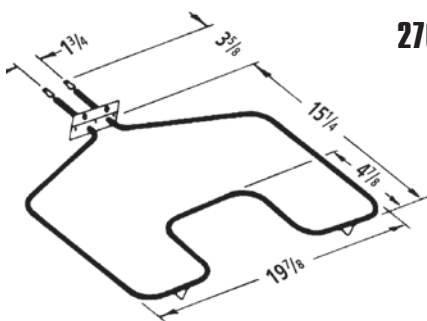
00611
2400w 240v Bake Element

KENMORE
1312853
1311298-0
WHIRLPOOL
865940
CHROMALOX
CH775



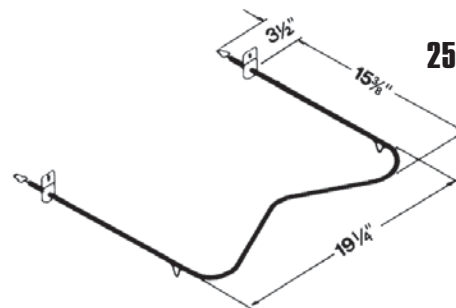
00621
3000w 250v Bake Element

GE
WB44x126
WB44x118
WB44x105
WB44x133
WB44x120
WB44x112
HOTPOINT
297B774G3
CHROMALOX
CH44x126



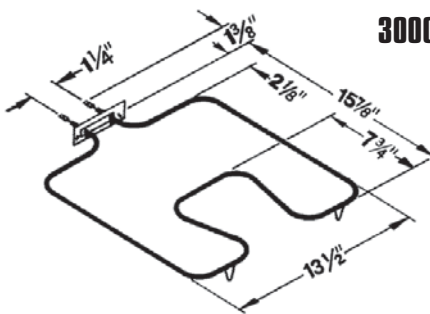
00631
2700w 240v Bake Element

KENMORE
296119
296565
301444
321667
CHROMALOX
CH2858



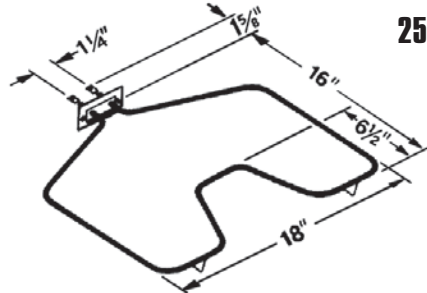
00641
2500w 240v Bake Element

KENMORE
282717
314620
319837
320421
301471
319529
319238
324186
320420
CHROMALOX
CH776



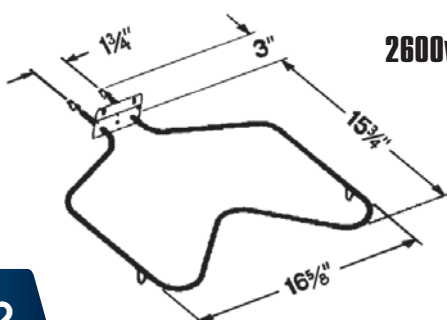
00651
3000w 250v Bake Element

GE
WB44x5043
WB44x5049
WB44x5078
WB44x5080
HOTPOINT
663130
664640
684729
CHROMALOX
CH44x5043



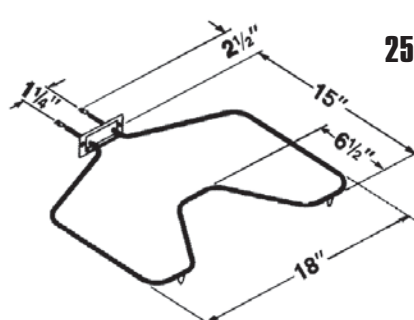
00681
2585w 250v Bake Element

GE
WB44x105
WB44x118
WB44x120
WB44x126
WB44x133
WB44x5061
WB44x5099
CHROMALOX
CH44x5099



00701
2600w 240v Bake Element

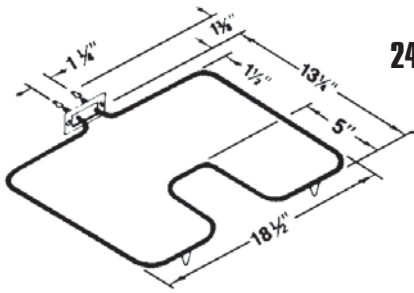
WHIRLPOOL
308180
JENN-AIRE
202550
CHROMALOX
CH4836



00711
2585w 250v Bake Element

GE
WB44x5061
WB44x5082
WB44x5072
CHROMALOX
CH44x5082

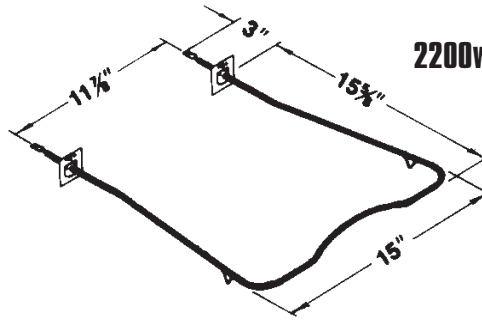
Bake & Broil Elements



00721
2475w 250v Bake Element

FRIDGIDAIRE
632305 632306
633114 1133051
752576 7525781
7526491 7526492
752660 7532556
7532557 8004204
9950882

CHROMALOX
CH978

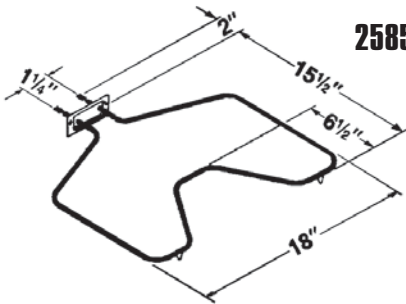


00731
2200w 250v Bake Element

WHIRLPOOL
255103; 257376;
257987; 326791

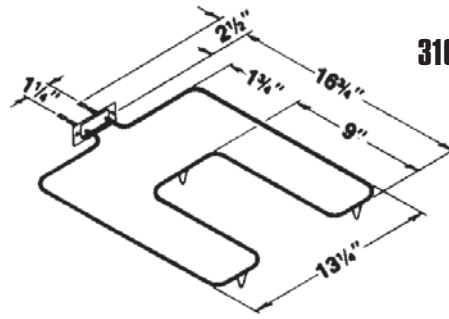
ROPER
326791

CHROMALOX
CH687



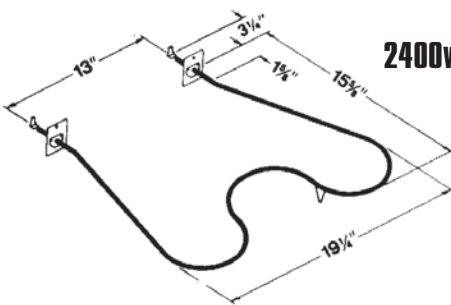
00741
2585w 250v Bake Element

GE
WB44x5083
WB44x5085
CHROMALOX
CH44x5083



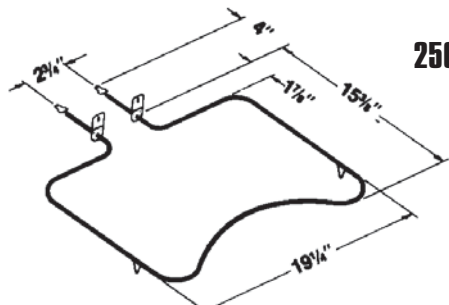
00751
3100w 240v Bake Element

GE
WB44x200;
WB44x160
CHROMALOX
CH44X200



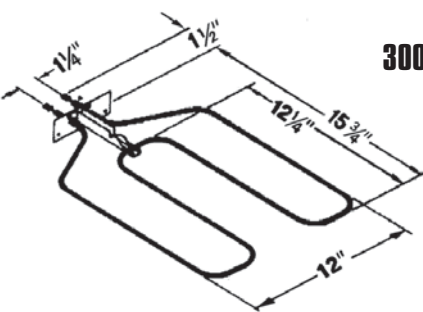
00761
2400w 240v Bake Element

FRIDGIDAIRE
8008245
KENMORE/KELVINATOR
1313171; 1313169
WHIRLPOOL
866375
CHROMALOX
CH4879



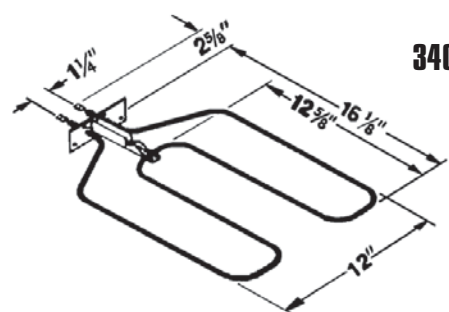
00791
2500w 240v Bake Element

ROPER/KENMORE
325883;
326365;
326364;
326366
GE
WB44x230
CHROMALOX
CH5853



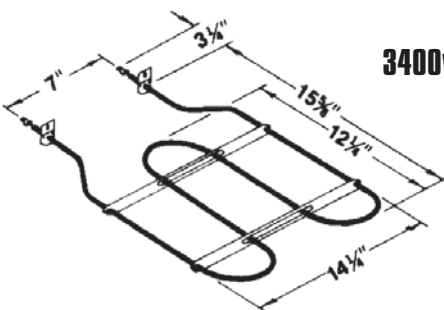
00771
3000w 250v Broil Element

GE
WB44x134
CHROMALOX
CH44x134



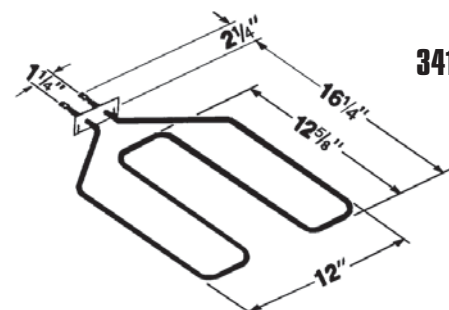
00801
3400w 250v Broil Element

GE
WB44x149
WB44x150
WB44x167
WB44x168
WB44x173
WB44x185
WB44x5064
CHROMALOX
CH44x185



00811
3400w 240v Broil Element

ROPER/KENMORE
296121; 296566;
319487; 324163;
324249; 324251
CHROMALOX
CH2859



00831
3410w 250v Broil Element

GE
WB44x5074
CHROMALOX
CH44x5074

Windshield Washer Fluid

Xtreme Blue™ Windshield Washer Concentrate

Concentrated formula is better for the environment; takes less water and plastic to produce. Concentrated product must be diluted to comply with CARB (CA) regulations (Dilution chart is on product label).

Stock#	Description	Size	Qty.
30254	Windshield Washer Concentrate	16 oz	24
30256	Windshield Washer Concentrate	32 oz	6

Xtreme Blue™ Windshield Washer Fluid

Ready to use: no mixing required. Easily removes road grime, film and bugs. Excellent for all season use. Aids in melting frost, snow and ice.

Stock#	Description	Size	Qty.
30907	-20° Xtreme Blue™	1 gallon	6
30917	-25° Xtreme Blue™	1 gallon	6
30987	0° Xtreme Blue™	1 gallon	6
30977	+20° Xtreme Blue™	1 gallon	6

Ice Cutter -30 Windshield Washer Fluid

Melts frost and light ice on contact. No mixing required; excellent for all-season use. Easily removes road grime, film and bugs. Protect to -30° F.

Stock#	Description	Size	Qty.
30522	Ice Cutter™ Spray	32 oz	6
30527	-30° Ice Cutter™ Washer Fluid	1 gallon	6

Rain Cutter™ Windshield Washer Fluid

Our exclusive formula sheds rain faster than the national brand. Premium product cuts road grime fast for cleaner windshields. Available with freeze protection down to -25° F. High-visibility colors for greater consumer recognition in store displays.

Stock#	Description	Size	Qty.
31177	-25° Rain Cutter Washer Fluid	1 gallon	6
31178	-25° Rain Cutter Washer Fluid	55 gallon	1
41782	-25° Rain Cutter Spray Glass Cleaner & Rain Repellent	32 oz	4
32037	0° Rain Cutter Washer Fluid	1 gallon	6
31187	32° Rain Cutter Washer Fluid	1 gallon	6



30254
Windshield Washer
Concentrate



30256
Windshield Washer
Concentrate

30907
-20° F



Xtreme Blue
Windshield
Washer Fluid

30977
+20° F



30527
Ice Cutter



30522
Ice Cutter
Spray

31177
-25° F



Rain Cutter
Windshield Washer Fluid



41782
-25° F Spray

31187
+32° F



Antifreeze for potable water systems



Antifreeze for potable water systems

For use in winterization of fresh/potable water systems in campers, RVs and summer homes. High-grade formulas provide complete freeze protection down to -50° F. (-46 °C) with no mixing required. Use full strength—do not dilute. All ingredients are listed in the U.S. Federal Register (GRAS - generally regarded as safe). Not recommended for winterizing boat engines.

Easy Going™ -50

Virgin propylene glycol-based formula is safe, odorless and tasteless.

Stock#	Description	Size	Qty.
30757	Easy Going -50 Antifreeze	1 gallon	6
30759	Easy Going -50 Antifreeze	5 gallons	1
30758	Easy Going -50 Antifreeze	55 gallons	1

Arctic Ban™ -50

Ethyl alcohol/propylene glycol-based formula is safe, odorless and non-staining.

Stock#	Description	Size	Qty.
30807	Arctic Ban -50 Antifreeze	1 gallon	6
30809	Arctic Ban -50 Antifreeze	5 gallons	1
30808	Arctic Ban -50 Antifreeze	55 gallons	1

Trusted for 40 Years.

Protect your investment during cold winter months. Camco's Fresh Water Antifreeze has been tried and tested, offering premium protection from freeze damage. Safe for potable water systems.

100% Environmentally friendly
100% Biodegradable

Frost 100
Engine Protection

FREEZE BAN -50
RV & Marine Antifreeze
Burst Protection to -50° F (-45.5° C)
RVs • Boats • Cottages • Pools
Safe • Odorless • Tasteless
Contains Propylene Glycol

WINTER BAN -100
Supreme RV & Marine Antifreeze
Burst Protection: 100° F (-17.8° C)
Safe • Odorless • Tasteless
Contains Propylene Glycol

CAMCO

Antifreeze & Accessories

Boiler Antifreeze

- For hydronic heating and cooling systems • Safe • Odorless • Tasteless
 - Protects to 100° below zero F (-73°C). A premium heat transfer fluid with special corrosion inhibitors added. For use in hot water and other closed boiler and solar systems. Concentrated, may be diluted to the desired burst protection level and flow temperature desired using the chart provided. Contains Propylene Glycol with corrosion inhibitor and inert ingredients. Non-Flammable
 - No mixing required. Boiling point: 1000mm ... 116°C ... 240°F
 - All ingredients are listed in the U.S. Federal Register (GRAS).*
- * Generally regarded as safe

Stock#	Description	Size	Qty.
30027	Boiler Antifreeze -100	1 gallon	6
30029	Boiler Antifreeze -100	5 gallons	1
30028	Boiler Antifreeze -100	55 gallons	1

Ready-to-Use Boiler Antifreeze

- All ingredients are listed in the U.S. Federal Register (GRAS).*
- * Generally regarded as safe

Stock#	Description	Size	Qty.
33129	Ready-To-Use (RTU) Boiler Antifreeze	5 gallons	1
33128	Ready-To-Use (RTU) Boiler Antifreeze	55 gallons	1

Boiler AL Antifreeze

Boiler AL (not shown) contains special corrosion inhibitors for use in boilers containing Aluminum.

Stock#	Description	Size	Qty.
33119	Boiler AL -100	5 gallons	1
33118	Boiler AL -100	55 gallons	1

Hydro-flo -100 Heat Transfer Fluid

Designed for Hydronic Heating, Geothermal and Solar Systems with special corrosion inhibitors added. All ingredients are generally recognized as safe as food additives by the FDA under Part 182 of the Food Additive Regulations, making HydroFLO an excellent choice for applications where there is a possibility of contact with potable water supplies.

Stock#	Description	Size	Qty.
30037	Hydro-Flo Heat Transfer Fluid	1 gallon	6
30039	Hydro-Flo Heat Transfer Fluid	5 gallons	1
30038	Hydro-Flo Heat Transfer Fluid	55 gallons	1

Inhibitor Re-Charge for Boiler Antifreeze

Replaces depleted corrosion inhibitors in antifreeze solutions to prevent corrosion problems. Can also be added to uninhibited antifreeze solutions. **Not for use with Boiler AL.**

35106	Inhibitor Re-Charge	32 oz.	6
-------	---------------------	--------	---

Boiler Antifreeze Test Strips

These strips test the pH of the solution to indicate the corrosion protection.

36011	Boiler Antifreeze Test Strips	50 strips	1
-------	-------------------------------	-----------	---

FreezeCheck Refractometer

Eliminates guesswork by reading freeze protection of ethylene glycol, methoxy propanol and propylene glycol, as well as actual burst protection of propylene glycol antifreezes. Rapid temperature compensation for accuracy in varying temperatures. Shock resistant design. Improved optics for ease of viewing. Completely immersible.

Stock#	Description	Size	Qty.
65401	Freeze-Check Refractometer	-	1

30029
Boiler Antifreeze



30027
Boiler Antifreeze



30037
Hydro-Flo Heat Transfer Fluid

35106
Inhibitor Re-Charge



36011
Antifreeze Test Strips



65401
Refractometer



or questions about products on pages 24–27, please contact our Liquids Customer Service Department. 800-334-2004 ext 234

Blast-Out™ Cleaners

Helps Prevent
BACK UPS!
Environmentally Safe



Plumbing
Blast-Out

Compare
to RID-X®*

Plumbing Blast-Out™ Septic Tank Treatment

Compare to RID-X®* Septic treatment and pipe cleaner helps prevent back ups and is environmentally safe. Powerful all-natural enzyme formulation is safe for all septic systems. Use monthly to help prevent costly repairs. 32 oz contains four treatments; 64 oz contains eight treatments. • Breaks down paper, grease, protein & starches • Cleans septic system from toilet to drain field • Helps stop odors • Safe for septic tank and pipes.

* This product is not manufactured or distributed by Reckitt & Benckiser, owner of the registered trademark Rid-X®

Stock#	Description	Size	Qty.
41702	Blast-Out Septic Tank Treatment	32 oz	4
41706	Blast-Out Septic Tank Treatment	64 oz	4

* This product is not manufactured or distributed by Reckitt & Benckiser, owner of the registered trademark Rid-X®

Blast-Out
Pressure Wash Concentrate

Blast-Out™ Pressure Washer Concentrate Cleaners

Powerful pressure-washer cleaners with customized formulas for all your outdoor cleaning needs. Removes dirt, oil, grease and mildew stains. Use with a pressure washer, or clean manually with a cloth, sponge or soft brush. Phosphate free; contains no bleach or ammonia.

- Fast acting cleaners: just spray on and wash off
- Safe for use around plants and pets

Stock#	Description	Qty.
41807	Multi-Purpose Concentrate	4
41817	Deck & Fencing Concentrate	4
41827	Concrete & Driveway Concentrate	4
41837	House & Siding Concentrate	4
41847	Outdoor Furniture Concentrate	4
41867	Boat/RV Wash Concentrate	4



Blast-Out™ Degreaser

Fast acting formula dissolves grease on contact. Super concentrated cleaner safely removes grease, oil and dirt from driveways, garage floors, tires, engines, grills and more. Phosphate free, and safe for plants and pets; contains no bleach or ammonia. Easy to use: just spray on and wash off.

Stock#	Description	Size	Qty.
41892	Blast-Out Degreaser	32 oz	4
41897	Blast-Out Degreaser	gallon	4

Blast-Out
Concentrated Cleaner



Campfire, Gas Matches & Sparkers

58031
Little Red Campfire

Little Red Campfire™

Take your fire with you! Our compact, portable campfire is great for tailgating, or put it on the patio...its size is convenient for wherever you need a fire. Realistic log pieces and full 9.5" diameter ring burner help create the natural look and ambiance of from-scratch campfires. Sturdy lid and security latches make it safe and easy to transport. Includes 8' propane hose for use with standard LP gas cylinders. RV campground approved. 11.25" fire tray diameter. 65,000 BTU/HR

Stock #	Description	Qty
58031	Little Red Campfire™	1
58032	Replacement Log set	1
58034	Replacement Hose w/Regulator	1
59213	Propane Adapter (for use with 1-lb bottle)	6



59213
Propane
Adapter

GM3 GasMatches™

One of our finest and most popular lighters. Long slender design lets you get at hard-to-reach places with total safety. Features a continuous ignition system (requires one AA battery, included), safety lock, fully adjustable flame, fuel viewing window. Refillable with butane lighter fluid. ISO 9001 certified. CPSC certified.

57433	GM3 - 14 3/4"	12
57543	GM3X - 26" (15" flex extender)	12
57684	GM3XE - 40 3/4" (36" flex extender)	20



57433
GM3 GasMatch



57543
GM3X GasMatch

GM4 GasMatches™

Our most popular mid-sized model. Piezo electric ignition, fully adjustable flame, safety lock, fuel viewing window, thousands of lights. CPSC certified. Refillable with butane lighter fluid. 11" long.

57453	Olympian™ GM4 GasMatch	12
-------	------------------------	----



57453
GM4
GasMatch

CAMLighter Elite™ Butane Lighter and Bottle Opener

Open a bottle and light your grill or heater with one handy and attractive tool. Matte aluminum finish with black accents. Textured back for a sure grip. Adjustable flame; refillable. CPSC certified.

58023	CAMLighter Elite	12
-------	------------------	----



58023
CAMLighter
Elite

57473
GM9
GasMatches

GM9 2-pack Refillable GasMatches

Great for barbecues, fireplaces, pilot lights, kerosene heaters and candles. Safety lock, CPSC certified, adjustable flame, fuel viewing window. 11" long.

57473	Olympian™ GM9 GasMatches-2/card	12
-------	---------------------------------	----

Ronson® Butane

Multi-fill injectors in 78 gram and 165 gram sizes.

57416	Ronson 78 Gram Butane Fuel	12
57496	Ronson 165 Gram Butane Fuel	12

57533
GM12 Multi-Sparker



57416, 57496
Ronson Butane

GM12 Continuous Ignition Multi-Sparker

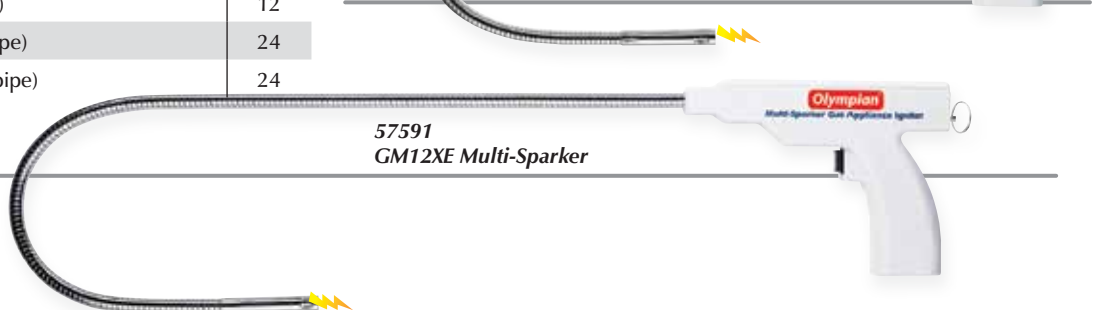
This handy igniter is the one designed exclusively for igniting gas appliances. No butane to refill. The continuous ignition piezo electric sparker assures a large and immediate continuous spark. The automatic illumination micro-light and curved nozzle make tough lighting jobs easy. Uses one C battery (included).

57533	GM12 - 13" long (7" pipe)	12
57561	GM12X - 26" long (20" pipe)	24
57591	GM12XE - 31" long (25" pipe)	24

57561
GM12X Multi-Sparker



57591
GM12XE Multi-Sparker



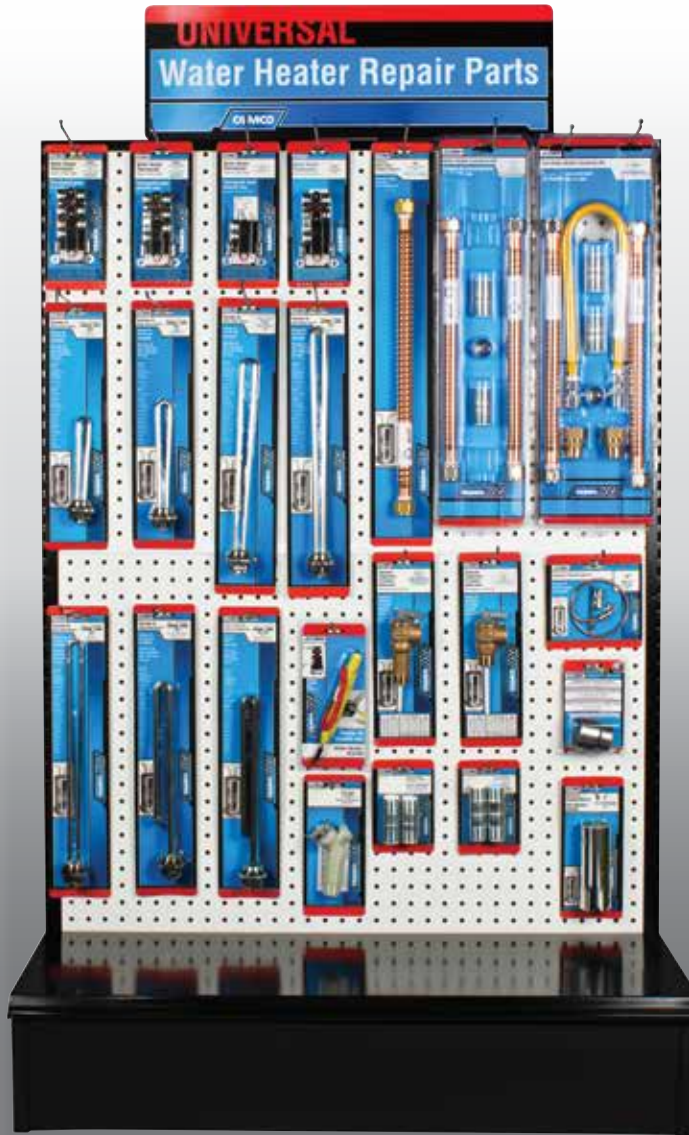
61605 Range Accessory Display



Stock #	Description	Qty	Stock #	Description	Qty
00103	GE/HP 6"x 5 Turn Plug-In Y Support	2	00463	Drip Pan Universal 6" Chrome Electric	4
00113	GE/HP 8"x 6 Turn Plug-In Y Support	2	00473	Drip Pan Universal 8" Chrome Electric	4
00143	Economy 6" x 3 Turn-Y Support	2	00503	Universal 6" Plug-In Reflect Bowl-Black Porc.	2
00153	Economy 8" x 4 Turn-Y Support	2	00513	Universal 8" Plug-In Reflect Bowl-Black Porc.	2
00243	Deluxe 6" Plug-In Y Support	2	00543	Drip Pan GE/HP 6" Black Porcelain Electric	2
00253	Deluxe 8" Plug-In Y Support	2	00553	Drip Pan GE/HP 8" Black Porcelain Electric	2
00263	Universal 6"x4 Trn Delta Supt 1500W 240V DLX Plug In	2	00863	Universal Range Switch	2
00273	Universal 8"x5 Trn Delta Supt 2100W 240V DLX Plug In	2	00873	Universal Receptacle Block Kit	2
00383	Universal 6" Plug-In Reflect Bowl	6	00883	Electric Range Top Burner Knob - Black -	2
00393	Universal 8" Plug-In Reflect Bowl	6	00903	Electric Range Knob Kit Top/Burner - Chrome -	2
00403	6" Drip Bowl GE/Hotpoint	4	00913	Electric Range Knob Kit Top/Oven - Black -	2
00413	8" Drip Bowl GE/Hotpoint	4	00933	Electric Range Knob Kit Top/Oven - Chrome -	2
00423	GE/HP 6" Hinged Reflect Pan	4	00943	Gas Range Top Burn Knob Kit - Black -	2
00433	GE/HP 8" Hinged Reflect Pan	4	00973	Gas Range Knob Kit Top/Oven - Black -	2

All displays can be customized to meet our customers' specific needs.

61585 Water Heater Repair Display



Stock #	Description	Qty	Stock #	Description	Qty
02143	1500w 120v Screw-In Element	4	09883	5" Screw-In Element Wrench	2
02203	2000w 120v Screw-In Element	2	09953	Professional Element Socket	4
02283	3800w 240v Screw-In Element	2	09973	Element Quick Change Tool	4
02343	4500w 240v Screw-In Element	4	10023	Water Heater Continuity Tester	2
02583	4500w 240v LWD/FB Screw-In Element	4	10063	18" Flex Water Connector	2
02923	4500w 240v Screw-In Lime Life Fold Back	4	10183	15" Water Heater Connector Kit -Gas	1
07223	Universal Adapter Kit	2	10193	15" Water Heater Connector Kit -Electric	1
08123	Therm-O-Disc Lower Thermostat	2	10473	3/4" T&P Valve 4" Coated	2
08143	Therm-O-Disc Single Element Thermostat	2	10623	Dielectric Nipples	2
08163	Therm-O-Disc Upper Thermostat	4	11523	Water Heater Drain Valve	2

All displays can be customized to meet our customers' specific needs.

61675 Water Heater Display (Apcom Thermostats)



Stock #	Description	Qty	Stock #	Description	Qty
02143	1500w 120v Screw-In Element	2	07843	Apcom Single Element Thermostat	2
02293	3800w 240v Screw-In Element	2	07863	Apcom Upper Thermostat	6
02343	4500w 240v Screw-In Element	4	09943	4" Heavy Duty Element Wrench	2
02583	4500w 240v LWD/FB Screw-In Element	2	09953	Professional Element Socket	4
02923	4500w 240v Screw-In Lime Life Fold Back	2	10623	Dielectric Nipples 3/4", 2/card	4
07023	Plumber's Pack Apcom Style	4	10023	Water Heater Continuity Tester	2
07723	Apcom Lower Thermostat	2			

Also available with Therm-O-Disc thermostats

All displays can be customized to meet our customers' specific needs.

61595 Water Heater Display (Therm-O-Disc Thermostats)



Stock #	Description	Qty	Stock #	Description	Qty
02143	1500w 120v Screw-In Element	2	08143	Single Element Therm-O-Disc Thermostat	2
02203	2000w 120v Screw-In Element	2	08163	Upper Therm-O-Disc Thermostat	4
02293	3800w 240v Screw-In Element	2	09883	5" Screw-In Element Wrench	2
02343	4500w 240v Screw-In Element	6	09953	Professional Element Socket	2
02583	4500w 240v LWD/FB Screw-In Element	4	09973	Quick Change Element Tool	2
02923	4500w 240v Screw-In Lime Life Fold Back	2	10023	Water Heater Continuity Tester	2
04603	4500w 240v Universal Element	2	10473	3/4" T&P Valve 4" Coated	2
07223	Universal Adapter Kit	2	10623	Dielectric Nipples	2
08123	Lower Therm-O-Disc Thermostat	2	11523	Water Heater Drain Valve	2

Also available with Apcom thermostats

Numerical Index

00103 GE/HP Plug-in 6"-5 turn Y.....	20	00681 Bake Element 2585w/250v.....	22
00113 GE/HP Plug-in 8"-6 turn Y.....	20	00701 Bake Element 2600w/240v.....	22
00143 Universal Economy Plug-in 6"-3 turn Y.....	20	00711 Bake Element 2585w/250v.....	22
00153 Universal Economy Plug-in 8"-4 turn Y.....	20	00721 Bake Element 2475w/250v.....	22, 23
00183 GE/HP 7" -5 turn w/trim ring.....	20	00731 Bake Element 2200w/250v.....	22, 23
00193 GE/HP 9" -6 turn w/trim ring.....	20	00741 Bake Element 2585w/250v.....	22, 23
00223 Universal Economy Plug-in 6"-3 turn Delta.....	20	00751 Bake Element 3100w/240v.....	22, 23
00233 Universal Economy Plug-in 8"-4 turn Delta.....	20	00761 Bake Element 2400w/240v.....	22, 23
00243 Universal Deluxe Plug-in 6" -4 turn Y.....	20	00771 Broil Element 3000w/250v.....	22, 23
00253 Universal Deluxe Plug-in 8" -5 turn Y.....	20	00791 Bake Element 2500w/240v.....	22, 23
00263 Universal Deluxe Plug-in 6" -4 turn Delta.....	20	00801 Broil Element 3400w/250v.....	22, 23
00273 Universal Deluxe Plug-in 8" -5 turn Delta.....	20	00811 Broil Element 3400w/240v.....	22, 23
00283 GE/HP 6" -5 turn w/no trim ring.....	20	00831 Broil Element 3410w/250v.....	22, 23
00293 GE/HP 8" -6 turn w/no trim ring.....	20	00853 GE/Hotpoint Receptacle Block.....	20
00303 GE/HP 6" Chrome Trim Ring.....	21	00863 Universal Range Switch.....	20
00313 GE/HP 8" Chrome Trim Ring.....	21	00873 Universal Receptacle Block Kit.....	20
00323 GE/HP 6" Black Porcelain Drip Bowl.....	21	00883 Electric Range Knobs-Top Burner - Black.....	21
00333 GE/HP 8" Black Porcelain Drip Bowl.....	21	00893 Electric Range Knob-Burner/Oven - White.....	21
00343 Universal Electric 6" Chrome Trim Ring.....	21	00903 Electric Range Knobs-Top Burner - Chrome.....	21
00353 Universal Electric 8" Chrome Trim Ring.....	21	00913 Electric Range Knob-Burner/Oven - Black.....	21
00363 Round Chrome Gas Drip Pan (7").....	21	00923 Electric Range Knobs-Top Burner - White.....	21
00373 Square Chrome Gas Drip Pan (7-3/4").....	21	00933 Electric Range Knob-Burner/Oven - Chrome.....	21
00383 Universal Electric 6" Chrome Drip Bowl.....	21	00943 Gas Range Knobs-Top Burner - Black.....	21
00393 Universal Electric 8" Chrome Drip Bowl.....	21	00953 Gas Range Knob-Burner/Oven - White.....	21
00403 GE/HP 6" Chrome Drip Bowl.....	21	00963 Gas Range Knobs-Top Burner - Chrome.....	21
00413 GE/HP 8" Chrome Drip Bowl.....	21	00973 Gas Range Knob-Burner/Oven - Black.....	21
00423 GE/HP 6" Chrome Drip Pan.....	21	00983 Gas Range Knobs-Top Burner - White.....	21
00433 GE/HP 8" Chrome Drip Pan.....	21	00993 Gas Range Knob-Burner/Oven - Chrome.....	21
00443 GE/HP 6" Black Porcelain Drip Bowl 1990 - Present.....	21	01013 Dielectric Water Heater Heat Traps.....	15
00453 GE/HP 8" Black Porcelain Drip Bowl 1990 - Present.....	21	01022 Dielectric Water Heater Heat Traps.....	15
00463 Universal Electric 6" Chrome Drip Pan.....	21	01023 Dielectric Heat Trap- Flapper Style.....	15
00473 Universal Electric 8" Chrome Drip Pan.....	21	02103 Water Heater Element Screw-in/HWD.....	7
00483 GE/HP 6" Chrome Drip Bowl 1990 - Present.....	21	02143 WH Element-Screw-in/HWD.....	7
00493 GE/HP 8" Chrome Drip Bowl 1990 - Present.....	21	02152 WH Element-Screw-in/Ultra LWD.....	6
00503 Universal Electric 6" Black Porcelain Drip Bowl.....	21	02163 WH Element-Screw-in/HWD.....	7
00513 Universal Electric 8" Black Porcelain Drip Bowl.....	21	02183 WH Element-Screw-in/HWD.....	7
00543 GE/HP 6" Black Porcelain Drip Pan.....	21	02203 WH Element-Screw-in/HWD.....	7
00553 GE/HP 8" Black Porcelain Drip Pan.....	21	02223 WH Element-Screw-in/HWD.....	7
00583 Universal Electric 6" Black Porcelain Drip Pan.....	21	02243 WH Element-Screw-in/HWD.....	7
00593 Universal Electric 8" Black Porcelain Drip Pan.....	21	02263 WH Element-Screw-in/HWD.....	7
00611 Bake Element 2400w/240v.....	22	02283 WH Element-Screw-in/HWD.....	7
00621 Bake Element 3000w/250v.....	22	02293 WH Element-Screw-in/HWD.....	7
00631 Bake Element 2700w/240v.....	22	02303 WH Element-Screw-in/HWD.....	7
00641 Bake Element 2500w/240v.....	22	02343 WH Element-Screw-in/HWD.....	7
00651 Bake Element 3000w/250v.....	22	02352 WH Element-Screw-in/HWD.....	7

Numerical Index

02363 WH Element-Screw-in Foldback/HWD.....	7	05742 WH Element-Open Coil/Supreme	8
02382 WH Element-Screw-in/HWD.....	7	05761 WH Element-Open Coil/Supreme	8
02392 WH Element-Screw-in/HWD.....	7	05762 WH Element-Open Coil/Supreme	8
02463 WH Element-Screw-in/LWD.....	6	05901 WH Element-Open Coil/Economy	8
02483 WH Element-Screw-in/HWD.....	7	05902 WH Element-Open Coil/Economy	8
02493 WH Element-Screw-in Foldback/LWD	6	06822 Screw-in Element Gasket	8
02523 WH Element-Screw-in Foldback/LWD	6	06842 Round Rubber Element Gasket	8
02583 WH Element-Screw-in Foldback/LWD	6	06882 Universal Element Gasket	8
02613 WH Element-Screw-in Foldback/LWD	6	06902 Four-Hole Element Gasket.....	8
02643 WH Element-Screw-in Foldback/HWD.....	7	06912 Dip Tube Gasket.....	16
02713 WH Element-Duron Foldback/LWD.....	8	07013 Plumber's Pack-Standard HWD/T-O-D.....	9
02723 WH Element-Duron Foldback/LWD.....	8	07023 Plumber's Pack-Standard HWD/Apcom.....	9
02753 WH Element-Duron Foldback/Ultra LWD	8	07033 Plumber's Pack-Better-LWD/T-O-D	9
02853 WH Element-Screw-in Foldback/Ultra LWD.....	6	07043 Plumber's Pack-Better-LWD/Apcom	9
02862 WH Element-Screw-in/HWD.....	7	07133 Universal Gasket Kit.....	8
02903 WH Element-Screw-in Foldback/Ultra LWD.....	6	07222 2 1/2" Hex Bolt Adopt-A-Flange	8
02913 WH Element-Screw-in Foldback/Ultra LWD.....	6	07223 Universal Element Adapter Kit	8
02923 WH Element-Screw-in Foldback/Ultra LWD.....	6	07723 WH Thermostat, Lower/Apcom style.....	10
02933 WH Element-Screw-in Foldback/Ultra LWD.....	6	07733 WH Thermostat, Lower-extended shank/Apcom style	10
02953 WH Element-Screw-in Ripple Foldback/Ultra LWD.....	6	07843 WH Thermostat, Single Element/Apcom style.....	10
02963 WH Element-Screw-in Ripple Foldback/Ultra LWD.....	6	07853 WH Thermostat, Single Element-extended shank/Apcom style ..	10
02972 WH Element-Screw-in/Ultra LWD	6	07863 WH Thermostat, Upper/Apcom style	10
03743 WH Element-Flat Flange/HWD.....	7	08013 WH Thermostat, Single Element-120V/TOD style	11
03923 WH Element-Flat Flange/HWD.....	7	08103 Lower T-Stat Terminal Protector/TOD	11, 12
03943 WH Element-Flat Flange/HWD.....	7	08113 Upper T-Stat Terminal Protector/TOD	11, 12
04103 WH Element-Flat Flange/LWD	6	08123 WH Thermostat, Lower/TOD style	11
04363 WH Element-Universal Flange/HWD	7	08143 WH Thermostat, Single Element/TOD style	11
04383 WH Element-Universal Flange/HWD	7	08163 WH Thermostat, Upper/TOD style.....	11
04443 WH Element-Universal Flange/HWD	7	08213 WH Thermostat, Upper/TOD style.....	11
04483 WH Element-Universal Flange/HWD	7	08223 WH Thermostat, Single Element/TOD style	11
04503 WH Element-Universal Flange/HWD	7	08304 Commercial Thermostat, Upper/TOD	12
04523 WH Element-Universal Flange/HWD	7	08314 Commercial Thermostat, Upper/TOD	12
04563 WH Element-Universal Flange/HWD	7	08401 Natural Gas Control/White-Rodgers.....	13
04603 WH Element-Universal Flange/HWD	7	08421 Natural Gas Control/Robertshaw.....	13
04643 WH Element-Universal Flange/HWD	7	08461 LP Gas Control/Robertshaw	13
04703 WH Element-Universal Flange/LWD	6	09072 Gas Control Extender.....	13
04732 WH Element-Screw-in/HWD.....	7	09253 12" Thermocouple Kit.....	13
04742 WH Element-Screw-in Foldback/HWD.....	7	09273 18" Thermocouple Kit.....	13
04752 WH Element-Screw-in/LWD	6	09293 24" Thermocouple Kit.....	13
04762 WH Element-Screw-in/LWD	6	09294 Thermocouple Installation Kit	13
04803 WH Element Universal Flange Foldback/HWD	7	09313 30" Thermocouple Kit.....	13
04943 WH Element Universal Flange Foldback/Ultra LWD	6	09333 36" Thermocouple Kit.....	13
04963 WH Element Universal Flange Foldback/Ultra LWD	6	09353 48" Thermocouple Kit.....	13
05701 WH Element-Open Coil/Supreme	8	09423 Burner Access Door Kit.....	13
05741 WH Element-Open Coil/Supreme	8	09882 5" Screw-In Element Wrench/Bulk	15

Numerical Index

09883 5" Screw-In Element Wrench/Card.....	15	10765 WH Connector Kit, Gas-18"/Stainless Steel.....	14
09942 4" Heavy Duty Element Wrench/Bulk.....	15	10775 WH Connector Kit, Gas or Electric-18"x3/4"/Stainless Steel.....	14
09943 4" Heavy Duty Element Wrench/Card.....	15	10785 WH Connector Kit, Gas-15"/Stainless Steel.....	14
09951 Professional Element Socket.....	15	10795 WH Connector Kit, Gas or Electric-18"x3/4"/Stainless Steel.....	14
09953 Professional Element Socket - Clamshell.....	15	10862 Runoff Tube, Side Mount.....	16
09963 Gas Control Wrench.....	13	10952 Runoff Tube, Center Top Mount.....	16
09973 Water Heater Element Quick Change.....	2, 9	10962 Runoff Tube, Top Mount.....	16
10023 Water Heater Continuity Tester.....	12	11061 Flared Dip Tube (52" vertical) with gasket.....	16
10025 Water Heater Continuity Tester Display.....	12	11062 Dip Tube, Flared.....	16
10035 Flexible Water Connector-18"/Copper.....	14	11162 Dip Tube, Threaded.....	16
10043 Flexible Water Connector-12"/Copper.....	14	11231 Gas Water Heater Stand Kit.....	13
10053 Flexible Water Connector-15"/Copper.....	14	11260 WH Drain Pan, 20"/Plastic.....	18
10063 Flexible Water Connector-18"/Copper.....	14	11266 WH Drain Pan, 20"/Plastic.....	18
10072 Washer for Water Connectors.....	14	11360 WH Drain Pan, 24"/Plastic.....	18
10083 Flexible Water Connector-24"/Copper.....	14	11366 WH Drain Pan, 24"/Plastic.....	18
10183 WH Connector Kit, Gas-15"/Copper.....	14	11400 WH Drain Pan, 26"/Plastic.....	18
10193 WH Connector Kit, Gas or Electric-15"/Copper.....	14	11406 WH Drain Pan, 26"/Plastic.....	18
10196 3/4" Compression x 3/4" NPT Fitting.....	14	11410 WH Drain Pan, 28"/Plastic.....	18
10205 1/2" Compression x 3/4" NPT Fitting.....	14	11416 WH Drain Pan, 28"/Plastic.....	18
10223 WH Connector Kit, Gas or Electric-15"x3/4"/Copper.....	14	11420 WH Drain Pan, 30"/Plastic.....	18
10232 Flexible Gas Connector-15"/Stainless Steel, Coated.....	14	11426 WH Drain Pan, 30"/Plastic.....	18
10324 Gas Leak Detector, 8 oz./Sprayer.....	12	11442 Drain Pan Fitting Kit 1"/1.5" CPVC.....	18, 19
10325 Gas Leak Detector, 8 oz./Dauber.....	12	11452 Drain Pan Fitting Kit 1"/1.5" PVC.....	18
10367 Gas Leak Detector, Gallon.....	12	11460 WH Drain Pan, 22"/Plastic.....	18
10368 Gas Leak Detector (55 gallon).....	12	11466 WH Drain Pan, 22"/Plastic.....	18
10389 Gas Pressure Test Kit.....	12	11470 Tankless Water Heater Drain Pan with PVC fitting.....	19
10399 Tapered Rubber Nipple for GP Test Kit.....	12	11470 Tankless Water Heater Drain Pan w/ PVC Fitting.....	2
10409 Hose for GPT Kit.....	12	11476 Tankless Water Heater Drain Pan w/CPVC Fitting.....	2
10421 T & P Valve-1/2" w/4" Probe.....	15	11476 Tankless Water Heater Drain Pan with CPVC fitting.....	19
10423 T & P Valve-1/2" w/4" Probe.....	15	11480 WH Corner Drain Pan, 24"/Plastic.....	18
10463 T & P Valve-3/4" w/1" Probe.....	15	11486 WH Corner Drain Pan, 24"/Plastic.....	18
10471 T & P Valve-3/4" w/4" Probe.....	15	11502 Brass WH Drain Valve w/Recirculation Elbow.....	17
10473 T & P Valve-3/4" w/4" Probe.....	15	11512 Water Heater Drain Valve/Brass.....	17
10491 T & P Valve-3/4" w/2.5" Shank.....	15	11513 Water Heater Drain Valve/Brass.....	17
10493 T & P Valve-3/4" w/2.5" Shank.....	15	11523 Water Heater Drain Valve/Plastic.....	17
10523 WH Connector Kit, Gas-18"/Copper.....	14	11533 Anode Rod with Drain - for Atwood water heaters.....	16
10533 WH Connector Kit, Gas or Electric-18"x3/4"/Copper.....	14	11553 Anode Rod for Atwood Water Heaters.....	16
10552 T&P Valve Remover, Universal.....	15	11563 Anode Rod for Suburban Water Heaters.....	16
10602 Dielectric Nipples/3" long.....	15	11572 Anode Rod, 5/8" x 42"/Aluminum.....	16
10622 Dielectric Nipples/2.5" long.....	15	11582 Anode Rod, 3/4" x 42"/Aluminum.....	16
10623 Dielectric Nipples/2.5" long.....	15	11612 Anode Rod-Flexible, 3/4" x 42"/Aluminum.....	16
10735 Flexible Water Connector-15"/Stainless Steel.....	14	11622 Anode Rod-w/dielectric nipple, 3/4" x 42"/Aluminum.....	16
10742 Flexible Water Connector-18"/Stainless Steel.....	14	12660 Fiberglass Pipe Insulation, 3" x 25'.....	16
10745 Flexible Water Connector-18"/Stainless Steel.....	14	20123 Shut-Off Valve - Brass Y.....	17
10755 Flexible Water Connector-24"/Stainless Steel.....	14	20173 Shut-Off Valve - Brass 45°.....	17

Numerical Index

20500 Washing Machine Hose, 5'.....	19	30987 Xtreme Blue™ Washer Fluid/0°	24
20502 Washing Machine Hose, 5'.....	19	31177 -25° Rain Cutter™ Washer Fluid.....	24
20752 Washing Machine Drain Pan.....	19	31178 -25° Rain Cutter™ Washer Fluid.....	24
20762 Apartment-sized Washing Machine Drain Pan.....	2, 19	31187 32° Rain Cutter Washer Fluid.....	
20800 WH Drain Pan, 20"/Aluminum.....	18	32037 0° Rain Cutter™ Washer Fluid.....	24
20801 20" ID Aluminum Drain Pan - unpunched.....	18	33118 Boiler AL Antifreeze/55 Gallons	26
20806 WH Drain Pan, 20"/Aluminum.....	18	33119 Boiler AL Antifreeze/5 Gallons	26
20810 WH Drain Pan, 26"/Aluminum.....	18	33128 Boiler Antifreeze, Ready-To-Use/55 Gallons	26
20811 26" ID Aluminum Drain Pan - unpunched.....	18	33129 Boiler Antifreeze, Ready-To-Use/5 Gallons	26
20813 WH Drain Pan, 26"/Aluminum.....	18	35106 Inhibitor Re-Charge for Boiler Antifreeze	26
20816 WH Drain Pan, 26"/Aluminum.....	18	36011 Boiler Antifreeze Test Strips.....	26, 27
20830 WH Drain Pan, 24"/Aluminum.....	18	40143 3/4" Plastic Water Pressure Regulator	17
20831 24" ID Aluminum Drain Pan - unpunched.....	18	41706 Blast-Out™ Septic Tank Treatment	27
20833 WH Drain Pan, 24"/Aluminum.....	18	41807 Blast-Out Multi-Purpose Pressure Washer Concentrate	27
20836 WH Drain Pan, 24"/Aluminum.....	18	41817 Blast-Out Deck & Fencing Pressure Washer Concentrate	27
20840 WH Drain Pan, 22"/Aluminum.....	18	41827 Blast-Out Concrete & Driveway Pressure Washer Concentrate	27
20841 22" ID Aluminum Drain Pan - unpunched.....	18	41837 Blast-Out House & Siding Pressure Washer Concentrate	27
20846 WH Drain Pan, 22"/Aluminum.....	18	41847 Blast-Out Outdoor Furniture Pressure Washer Concentrate.....	27
20850 28" ID Aluminum Drain Pan	18	41867 Blast-Out Boat/RV Wash Pressure Washer Concentrate	27
20851 28" ID Aluminum Drain Pan	18	42993 Collapsible Bucket.....	9
20860 WH Drain Pan, 30"/Aluminum.....	18	57416 Butane Fuel, 78 gram.....	28
20861 30" ID Aluminum Drain Pan - unpunched.....	18	57433 GM3 GasMatch	28
20866 WH Drain Pan, 30"/Aluminum.....	18	57453 GM4 GasMatch	28
20922 WH Drain Pan, 24" Square/Aluminum	18	57473 GM9 GasMatches.....	28
20932 WH Drain Pan, 30" Square/Aluminum	18	57496 Butane Fuel, 165 Grams	28
22863 25 ft Contractor Hose	2, 17	57533 GM12 Multi-Sparker.....	28
22873 50 ft Contractor Hose	2, 17	57543 GM3X GasMatch	28
22883 100 ft Contractor Hose	2, 17	57561 GM12X Multi-Sparker.....	28
23303 Backflow Preventer, 1/2"	17	57591 GM12XE Multi-Sparker.....	28
23402 Backflow Preventer, 3/4"	17	57684 GM3XE GasMatch	28
23503 Dielectric Union 3/4" FIP.....	16	58023 CAMPLighter Elite-Lighter/Opener.....	28
30027 Boiler Antifreeze/Gallon.....	26	58031 Little Red Campfire.....	28
30028 Boiler Antifreeze/55 Gallons	26	58032 Replacement Log Set.....	28
30029 Boiler Antifreeze/5 Gallons	26	58034 Replacement Hose w/Regulator	28
30254 Windshield Washer Concentrate.....	24	59713 Propane Adapter (for use with 1-lb bottle)	28
30256 Windshield Washer Concentrate.....	24	61065 Range Accessory Display.....	29
30522 Ice Cutter™ Spray/32 oz.	24	61585 Water Heater Repair Parts Display	30
30527 Ice Cutter™ Washer Fluid/Gallon	24	61595 Water Heater Display (Thermodisc)	32
30757 Easy Going -50 Antifreeze/Gallon.....	25	61675 Water Heater Display (Apcom)	31
30758 Easy Going -50 Antifreeze/55 Gallons	25	65401 Freeze-Check Refractometer.....	26
30759 Easy Going -50 Antifreeze/5 Gallons	25	70040 Water Heater Troubleshooting Manual.....	1
30807 Arctic Ban -50 Antifreeze.....	25	70115 Range Troubleshooting Manual	1
30907 Xtreme Blue™ Washer Fluid/-20°	24		
30917 Xtreme Blue™ Washer Fluid/-25°	24		
30977 Xtreme Blue™ Washer Fluid/+20°	24		

A

Anode Rod - for Atwood RV & Marine Water Heaters.....	16
Anode Rod for Suburban RV and Marine Water Heaters.....	16
Anode Rods.....	16
Anode Rod with Drain - for Atwood RV & Marine Water Heaters....	16
Antifreeze	
Boiler Antifreeze.....	26
Boiler Antifreeze, AL.....	26
RV Fresh Water Antifreeze.....	25

B

Backflow Preventers.....	17
Bake & Broil Elements.....	22, 23
Blast-Out™ Pressure Washer Concentrate.....	27
Boiler Antifreeze Test Strips.....	26
Bucket, Collapsible.....	9
Butane Refills.....	28

C

Campfire, LP.....	28
CAMPLighter Elite™.....	28
Compression Fittings.....	14
Contractor Water Hoses.....	2, 17

D

Dielectric Nipple.....	15
Dielectric Unions.....	16
Dip Tubes.....	16
Displays	
Range Accessories Display.....	29
Drain Pan Fittings.....	18
Drain Pans for Tankless Water Heaters.....	19
Drain Valves.....	17
Drain Valve w/Recirculation Elbow -Brass.....	17

G

Gas Connector.....	14
Gas Control Extender.....	13
Gas Control Wrench.....	13
Gas Leak Detector.....	12
Gas Matches and Sparkers.....	28
GasMatches™.....	28
Gas Pressure Test Kit.....	12
Gas Water Heater Stand.....	13

H-M

Heat Traps.....	15
Ice Cutter -30 Windshield Washer Fluid.....	24
Inhibitor Re-Charge for Boiler Antifreeze.....	26
Lighter and Bottle Opener.....	28
Little Red Campfire™.....	28
Multi-Sparker, GM12.....	28

P

Pipe Insulation.....	16
Plumber's Packs.....	9

Plumbing Blast-Out™ Septic Tank Treatment.....	27
Pressure Washer Concentrate, Blast-Out™.....	27
Propane Adapter (for use with 1-lb bottle).....	28

R-T

Rain Cutter™ Windshield Washer Fluid.....	24
Range Knobs.....	21
Range Repair Parts.....	20
Refractometer.....	26
Runoff Tubes.....	16
Septic Tank Treatment, Plumbing Blast-Out™.....	27
Thermocouple Installation Kit.....	13
Thermocouples.....	13
Top Burners for Electric Ranges.....	20
T & P Valve Remover.....	15
T & P Valves.....	15
Troubleshooting Manuals	
Range Manual.....	1
Water Heater Manual.....	1

W-Z

Washer Drain Pan, Apartment-sized.....	2
Washing Machine Drain Pan, Apartment Size.....	19
Washing Machine Drain Pans.....	19
Washing Machine Hoses.....	19
Water Connectors.....	14
Water Heater Connector Kits.....	14
Water Heater Display (Apcom).....	31
Water Heater Display (Thermodisc).....	32
Water Heater Drain Pans.....	18
Water Heater Drain Pans, Tankless.....	2
Water Heater Element Conversion Kit.....	8
Water Heater Element Gaskets.....	8
Water Heater Element Quick Change.....	2, 9
Water Heater Elements.....	6, 7, 8
Duron® LWD and Ultra LWD.....	8
High Watt Density.....	7
Lime Life-Ultra LWD.....	6
Low Watt Density.....	6
Open Coil Dry.....	8
Water Heater Element Warranty.....	3
Water Heater Element Wrenches.....	15
Water Heater Gas Controls	
LP Gas Control.....	13
Natural Gas Control.....	13
Water Heater Parts Diagram.....	3
Water Heater Repair Display.....	30
Water Heater Repair Kits.....	9
Water Heater Tester.....	12
Water Heater Thermostats	
Apcom Style.....	10
Therm-O-Disc Commercial.....	12
Therm-O-Disc Style.....	11
Water Heater Thermostats, About.....	12
Windshield Washer Concentrate, Xtreme Blue™.....	24
Xtreme Blue™ Windshield Washer Fluid.....	24

BLAST-OUT™

Septic Tank Treatment

Compare to RID-X®*

Helps Prevent BACK UPS!
Environmentally Safe



Plumbing
Blast Out™



Page 27

PREMIUM

Windshield Washer Fluid
Products

CAMCO



Page 24

BLAST-OUT™

Degreaser

Blast Out™
Concentrated Cleaner



Page 27

CamcoUSA / 121 Landmark Drive / Greensboro, NC 27409
www.camco.net / parts@camco.net / 800-334-2004