



TPI CORPORATION

America's Comfort Conditioning Company



Tel: 1-800-682-3398 | 1-423-477-4131 | Fax: 1-423-477-0064
www.tpicorp.com

2017

ELECTRICAL PRODUCTS CATALOG



HEATERS

CONTROLS

ELECTRIC HEAT, CONTROLS, & THERMOSTATS

INDUSTRIAL - COMMERCIAL - RESIDENTIAL

© Copyright 2017; TPI Corporation, P.O. Box 4973, Johnson City, TN 37602
November 1, 2016: Distribution Products Catalog Revision: 110116-001



www.facebook.com/tpicorporation



[@tpicorporation](https://twitter.com/tpicorporation)

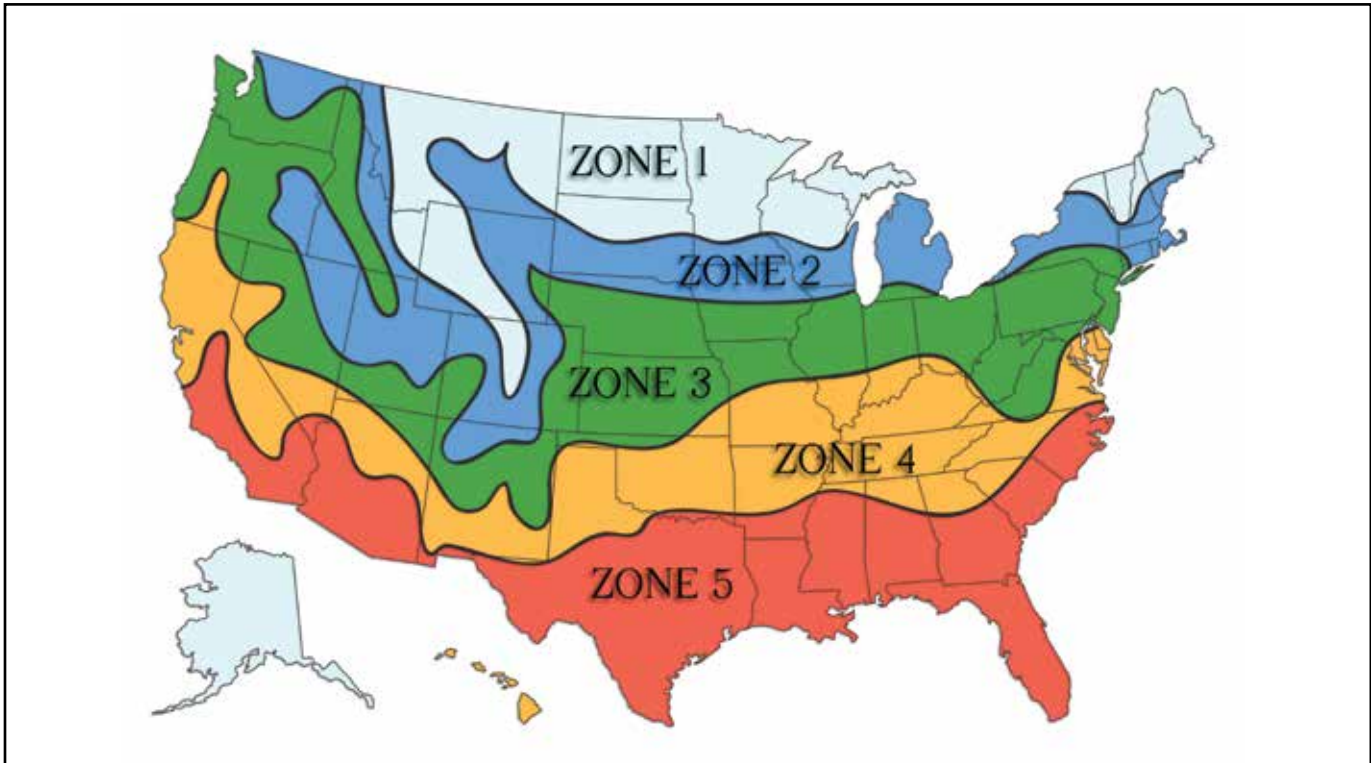


CATEGORY	Page
AMPERAGE CHART & WARRANTY	2
ELECTRIC HEAT COMFORT ZONES	3
HAZARDOUS LOCATION & WASHDOWN	
HLA*	Hazardous Location Fan Forced 4-7
PHLA*	Portable Hazardous Location Fan Forced 7
FEP*	Hazardous Location Convactor 8-9
5500*	Washdown Fan Forced 10-11
UNIT HEATERS	
UH	Horizontal Fan Forced 12-13
5100	Horizontal or Vertical Fan Forced 14-19
2600	Downflow Fan Forced 20-22
5700	Confined Space Plenum Rated 22
5600	Multiple Wattage Fan Forced 23
6300	Cabinet Fan Forced 24-27
WALL CONVECTORS	
8500*	Commercial Slope Top 28-29
8800*	Institutional 30-31
4100*	Recessed Commercial 32-33
CEILING & COVE	
3000	Fan Forced 34
3380	Commercial Fan Forced 34
3480*	Commercial Recessed Fan Forced 35
3470*	Commercial Surface Fan Forced 36
CP/RCP	Radiant Ceiling Panel 37
CVX	Radiant Cove 38
WALL HEATERS	
3000	Commercial Midsize Fan Forced 39
3320	Commercial Fan Forced 40
4400	Commercial Low Profile Fan Forced 40
3420/50	Heavy Duty Fan Forced; Setback 41-43
3310	Residential/Commercial Fan Forced 44-45
3200	Midsize Fan Forced 46
4300	Low Profile Fan Forced 47
4800	Register Style Fan Forced 48
BASEBOARD HEATERS	
3900	Hydronic Electric 49
3700	Architectural Style Electric 50
	Hydronic/Architectural Accessories 51
2900HA	High Altitude Electric 52
2900S	Stainless Steel Element Electric 53
2900C	Heavy Duty Commercial Electric 54
	Electric Baseboard Accessories 55
ARCHITECTURAL SILL LINE	
9100*	Radius Front Draft Barrier 56-57
9300*	Radius Front Draft Barrier 58-59
	General Product Information 60
DBF/DBT*	3 1/8" x 4 1/2" Convactor 61
RDBT*	7" x 6" Convactor (Round) 62
ASHBT*	5 1/2" x 8" thru 20" Tall Convactor 63
ELECTRIC INFRARED HEATERS	
FSS	Heavy Duty Flat Panel Emitter 64-65
TH & THSS	Mul-T-Mount 66-69
OCH	Outdoor/Indoor Rated Quartz 70-71
RPH	Outdoor Rated Stainless Steel 72
MM	Mitey Midget 72
FFH	Utility 72

CATEGORY	Page
ELECTRIC INFRARED HEATERS, CONTINUED	
	Elements, Accessories, & Controls 73-75*
ICP*	Infrared Control Panels 76-77
FSP	Heavy Duty Flat Panel Emitter 78
CH	120/240V Quartz Infrared 79
PCH	Portable Quartz Infrared Spot Heater 79
RHG	Portable Infrared Instant "On-Off" Heat Gun 79
HP	Portable Electric Infrared Heat Panels 79
PORTABLE HEATERS	
FES & YES	Salamander Heat WaveTM 80
198	120V Fan Glo 81
178	120V Ceramic 81
188	120V Milk House 81
E3915	120V Hydronic Baseboard 81
483	120V Baseboard 81
474	240V Dual Heat Fan Forced 82
5800	240V Garage/Workshop 82
ICH	240V Construction/Utility 82
680	240V Heavy Duty 82
170-TS	120V Confined Space 83
SPECIALTY HEATERS	
RPH	Pump House 83
FH	In-Floor Fan Forced 83
TSH	Kick-Space Fan Forced 83
AIR CURTAIN	
CF-C	2 Speed Commercial Air Curtain 84
CF/CFH*	Variable Speed Air Curtain 84
THERMOSTATS	
ET5	Line Voltage, 22A, 120-277VAC 85
ET9	Line Voltage, 22A, 277VAC 85
EPET / HLT	Line Voltage, Haz. Loc., 120-277VAC 85
2000	Line Voltage, 22A, 120-277VAC 86
TW	Line Voltage, 120-277VAC 86
CKT / KT	Line Voltage, 120-250VAC 86
LB	Bi-Metal In-Built 87
LR	Bi-Metal Outdoor 87
RH	Air Flow / Differential Pressure Switches 87
	Differential Pilot Tubes 87
H	Humidistat/DeHumidistat, 24-240VAC 88
RF	Low Voltage, Wireless 88
T	Line Voltage, Precision, 120-277VAC 88
TL	Line Voltage, Programmable 88
TH	Low Voltage, Programmable 89
TW	Low Voltage, 2 Stage 89
TG	Thermostat Guards 89
SD	Clever Comfort Setback on Demand 90-93
UT	Low Voltage, Vertical/Horizontal Mnt. 94
RK	Low Voltage, Square 94
24A	Low Voltage Relays 94
THERMAL AREA TREATMENT	
TAT	Thermal Area Treatment/Accessories 95
HR	Hot Room Heaters 95
DUCT HEATERS	
HP*	HotPod Resi. Supplemental Duct Heat 96-97
5700	Confined Space Plenum Rated 98
7200/7300*	Plenum Heaters 98-101
PD*	Packaged (preconfigured) Duct Heat 102
PRODUCT INDEX	

Note: The information contained herein is deemed to be as accurate as possible upon the time of printing. However, to insure that you receive the most reliable information contact the factory should a question arise. All prices are given in U.S. Dollar Amounts.
 PH: 1-800-682-3398. © Copyright 2016; TPI Corporation.

*Products listed in this section are custom built and subject to 100% cancellation/restocking charges



INSULATION			
R-VALUE	Recommended	FHA Standard	Minimum: Not Recommended
Ceiling	*R-24	*R-19	*R-11
Walls	R-13	11	R-7
Floor	R-24	11	----
ZONE	APPROXIMATE WATTAGE NEED PER SQUARE FOOT		
1	8.6	10.0	14.6
2	7.7	9.0	13.1
3	7.1	8.2	12.0
4	6.4	7.4	10.8
5	6.0	7.0	10.2

*"R" values are industry standards for insulation effectiveness. Ask company representative for assistance if you do not know "R" for your present structure insulation.

Baseboard or wall mount style? Recessed or surface type? It's easy to select the heater that's right for you.

1. Measure the size of the room(s) or area you intend to heat for square footage. You will need the length times the width to get this calculation.
2. Find your location on the map above. This determines your basic heating zone.
3. The chart shown below the map lists insulation values based on the effectiveness of the insulation presently in your home. Find your heating zone on the chart and the approximate wattage per square foot you will need.
4. Multiply the total number of square feet you intend to heat by the approximate wattage per square foot you just obtained. This will determine your total heating requirement in watts for the room.

How Much Heat is Right For You?

Figures are based on 15% total window and door openings in outside walls, and 3/4 total home air changes per hour. Typical frame-type construction with unheated basement or unventilated crawl space. If you do not have storm doors and windows, add 30% to the watts per square foot (multiply by 1.3).

That's all there is to it! Now choose the heater with a wattage equal to what you need. Your final selection will, of course, depend on available wall space, window placement, ect.

Sample Calculation:

- Example = 10' x 12' room in Zone 3 with FHA standard insulation
1. Determine room square footage: 10' x 12' = 120 sq. ft.
 2. Zone 3 with FHA standard insulation requires 8.2 watts per sq. ft.
 3. Multiply square footage of room to be heated by the approximate wattage per square foot required.

120 sq. ft x 8.2 watts = 984 watts required.
 From this calculation it can be reasoned that a 1000 watt heater would be required.

HLA Series Hazardous Location Fan Forced Unit Heater

FAN-FORCED SUSPENDED UNIT HEATERS 3-25 KW FOR T-3B CLASS I, GROUP C & D, DIVISION 1 & 2 AND CLASS II, GROUPS E, F & G, DIVISIONS 1 & 2.

4



Shown with optional pilot light and disconnect switch



- Designed for rugged industrial applications in hazardous locations where the possibility of explosion or fire exists due to the presence of certain flammable gases, vapors, powdered metals or dust.
- Permanently sealed, liquid to air, finned tube heat exchanger core.
- Ethylene Glycol to water mixture used as a heat transfer fluid in the heater core, providing -45° C. (-49° F) freeze damage protection.
- High-performance electric motor driven fan blows air across finned tubes to effect uniform heat transfer and area heat distribution.
- Manual Reset capillary type limit provides high temperature regulation and is rated for 6,000 cycles of service.
- Stainless steel and aluminum pressure relief valve for overpressure.
- A back-up contactor is included for additional protection.
- 14 gauge steel cabinet powder coated epoxy paint finish contains heater core, motor, and fan assembly.
- Narrow gap safety fan guard shields all moving parts.
- Adjustable louvers allow directional control of air.
- Copper conductor wires enclosed in rigid metal conduits carry all electrical power.
- Box lugs furnished for field connections within approved enclosure.
- Made in U.S.A.



Product Specifications

Heat Exchanger and Elements:

Heavy walled, painted carbon steel with aluminum fins liquid heat exchanger, liquid filled with three-immersion type copper sheathed elements. The elements shall have the highest quality nickel-chromium resistance wire encased in a magnesium oxide dielectric and be hermetically sealed into the heat exchanger core. The heat transfer fluid is Ethylene-glycol solution for operation to -49 degrees F (-45 degrees C). Stainless steel and aluminum pressure relief valve for overpressure.

Thermal Cutout High Limit Protection and Optional Pilot Light:

The capillary type manual reset thermal cutout shall be rated for 6000 cycles of service and mounted in the liquid filled heat exchanger. An optional pilot light to indicate manual reset tripped, if safe operating temperatures are exceeded, is located on control enclosure.

Motor:

The motor shall be a permanent split capacitor type, permanently lubricated, ball bearing type. The motor shall be rated for hazardous location and operate at rated voltage of heater, 60 Hz, 1725 RPM.

Control Enclosure:

All controls shall be factory installed and wired in a hazardous location enclosure. Contactors and back-up contactors are heavy duty type and break all ungrounded conductors and be rated for 100,000 cycles at full load. Standard 24-Volt control circuit shall be supplied by internal class II transformer. An optional factory wired integral thermostat or standard terminal block for field wiring to optional remote wall thermostat are wired in control panel. No fan delay relay.

Disconnect Switch:

Factory mounted and wired hazardous location disconnect switch is available as optional accessory.

Cabinet With Adjustable Louvers:

The Cabinet shall be 14 gauge, cold rolled steel with powder coated epoxy finish. Plated fan guards with less than 1/4 inch spacing to cover motor and fan shall conform to OSHA Requirements.

Note:

Before selecting a hazardous location electric heater refer to Article 500 or other applicable standard referenced in the National Electric Code.



Liquid-to-air heat exchanger



Optional built-in thermostat



Hazardous Location Rated Motor

HLA Series Hazardous Location Fan Forced Unit Heater

Rating Definitions

CLASS I: Equipment does not have surface operating temperature in excess of the ignition temperature of the specific gas or vapor.

Application Examples:

- Offshore and land based drilling rigs, petroleum exploration and testing facilities.
- Petroleum refineries, gasoline storage and dispensing areas.
- Industrial firms that use flammable liquids in dip tanks for parts cleaning or other operations.
- Petrochemical companies that manufacture chemicals from gas or oil.
- Dry cleaning facilities where vapors from cleaning fluids may be present.
- Aircraft hangers and fuel servicing areas.
- Utility gas plants and operations involving storage and handling of liquefied petroleum or natural gas.

GROUP C: Atmospheres such as but not limited to acetaldehyde, allyl alcohol, hydrogen sulfide, ethylene, carbon monoxide, or other gases or vapors of equivalent hazard.

GROUP D: Atmospheres such as but not limited to acetone, alcohol, gasoline, lacquer solvent vapors, natural gas, propane or other gases or vapors of equivalent hazard.

CLASS II: Equipment does not have surface temperature greater than the ignition temperature of the specified dust.

Application Examples:

- Coal preparation plants and other carbon handling or processing areas.
- Grain elevators, flour and feed mills.
- Plants which manufacture, use or store Magnesium or Aluminum powders.
- Plants that have chemical or metallurgical processes.
- Producers of starch products or candy.
- Spice grinding plants, sugar plants and cocoa plants.

GROUP E: Atmosphere containing combustible metal dust regardless of resistivity, or other combustible dust of similar hazard characteristics having resistivity of less than 10^5 OHM - Centimeter.

GROUP F: Atmosphere containing carbon black, charcoal, coal or coke dust.

GROUP G: Atmospheres containing combustible dust having resistivity of 10^5 OHM-Centimeter or greater.

DIVISION I: A location in which ignitable concentrations of flammable material exist under normal operating conditions.

DIVISION II: Locations in which flammable materials will normally be confined within closed containers and escape only in the case of accidental rupture, breakdown or during maintenance operations. Any equipment approved for Division I is automatically also approved for Division II.

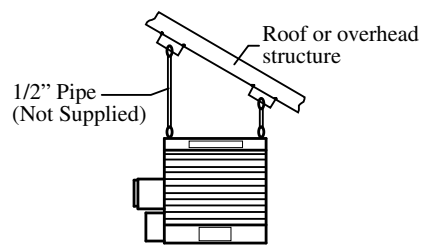
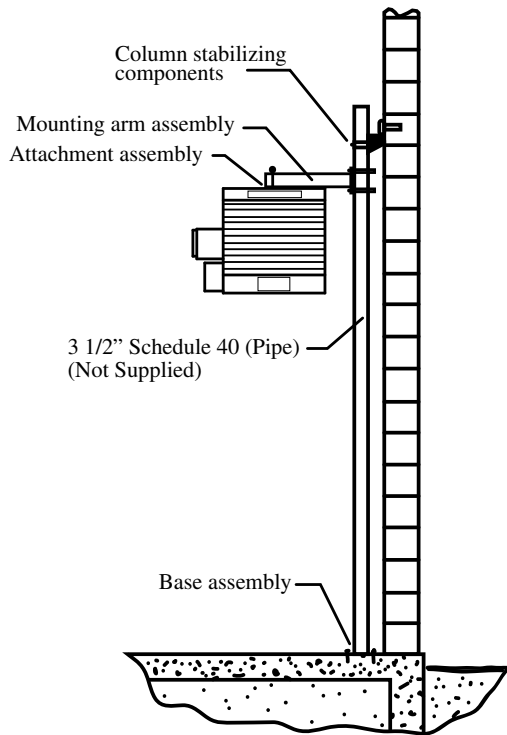
Standard Hazardous Location Models

MFG CATALOG NUMBER	MFG MODEL NUMBER	KW	BTUs	VOLTS	PH	AMPS	Control Voltage	Temp Rise °F	Air Throw	CFM	Recom'd Mounting Ht.	WT. (LBS)	LIST
07343502	HLA 12-208160-3.0-24	3	10250	208	1	16.3	24	16.5			8'	167	9548
07340002	HLA 12-208360-3.0-24			208	3	9.8							
07340102	HLA 12-240160-3.0-24			240	1	14.8							
07340202	HLA 12-240360-3.0-24			240	3	8.6							
07340302	HLA 12-480360-3.0-24			480	3	4.3							
07343602	HLA 12-208160-5.0-24	5	17100	208	1	26		27.6	24'	580	8'	167	9950
07340502	HLA 12-208360-5.0-24			208	3	15.4							
07340602	HLA 12-240160-5.0-24			240	1	23.1							
07340702	HLA 12-240360-5.0-24			240	3	13.4							
07340802	HLA 12-480360-5.0-24			480	3	6.7							
07343702	HLA 12-208160-7.5-24	7.5	25600	208	1	38		41.4			8'	193	10344
07341002	HLA 12-208360-7.5-24			208	3	22.3							
07341102	HLA 12-240160-7.5-24			240	1	33.6							
07341202	HLA 12-240360-7.5-24			240	3	19.4							
07341302	HLA 12-480360-7.5-24			480	3	9.7							
07341502	HLA 16-208360-10.0-24	10	34150	208	3	29.3		21.7	40'	1500	10'	193	10942
07341602	HLA 16-240160-10.0-24			240	1	44							
07341702	HLA 16-240360-10.0-24			240	3	25.5							
07341802	HLA 16-480360-10.0-24			480	3	12.7							
07342002	HLA 20-208360-15.0-24			208	3	43.5							
07342102	HLA 20-240360-15.0-24	15	51200	240	3	38.1		19.2	43'	2450	13'	225	11416
07342202	HLA 20-480360-15.0-24			480	3	19							
07342302	HLA 20-600360-15.0-24			600	3	15.2							
07342402	HLA 20-480360-20.0-24			480	3	25.1							
07342502	HLA 20-600360-20.0-24			600	3	20							
07342602	HLA 20-480360-25.0-24	20	68300	480	3	31.1	26.2				225	11858	
07342702	HLA 20-600360-25.0-24			600	3	24.9							
07342702	HLA 20-600360-25.0-24	25	85400	480	3	31.1	32.8					225	12911

Note: Products listed in this section are custom built and subject to 100% cancellation/restock charges.

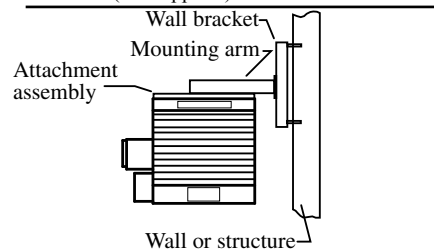
HLA Series Hazardous Location Fan Forced Unit Heater

Mounting Bracket Kits



HLHM Hanging Mounting Kit

Simple and economical if adequate overhead structure exists. Requires 1/2" pipe, cut and threaded (not supplied).



HLWM Wall Mounting Kit

Ideal for use in buildings that have substantial walls. Arm only can also be bolted directly to structural steel.

HLPM Pipe Mounting Kit

Particularly useful in buildings with insufficient strength to use other types of mounts. Requires 3 1/2" pipe (4" O.D. - not supplied).

MFG CATALOG NUMBER	MFG MODEL NUMBER	USE WITH HEATERS	WT. (LBS)	LIST
07342802	HLPM37	3.0 kW - 7.5 kW	37	519
07342902	HLPM10	10.0 kW	38	
07343002	HLPM1525	15.0 kW - 25.0 kW	40	
07343102	HLHM	ALL	5	218
07343202	HLWM37	3.0 kW - 7.5 kW	27	432
07343302	HLWM10	10.0 kW	28	
07343402	HLWM1525	15.0 kW - 25.0 kW	29	

EPET Series and HLT Series Hazardous Location Thermostats For Single Phase



HLT Series



Motor Rating	Rating	Rated*
(full load) 1 1/2 HP @ 250V	22A @ 125-277VAC; 125 VA @ 24VAC	Class I Group C & D, Class II Group E, F, G

*Thermostat is not rated for use in Group B environments.

MFG CATALOG NUMBER	MFG MODEL NUMBER	DESCRIPTION	LOAD RATINGS	RANGE	LIST
05380702	EPETD8D	DPDT - Bi-Metal	22A @120-277VAC	50-90°F	375
05381002	EPETD8S	SPDT - Bi-Metal	22A @120-277VAC	50-90°F	
05280702	EPETP8D	DPDT - Bi-Metal	22A @120-480VAC	50-90°F	
05280602	EPETP8S	SPDT - Bi-Metal	22A @120-480VAC	50-90°F	
05231502	HLT-1	SPDT - Capillary	22A @120-277VAC	40-110°F	515
05231602	HLT-2	DPDT - Capillary	22A @120-277VAC	40-110°F	544

Master ctn: 4 pcs, 24 lbs (varies slightly by model), 16" x 14.5" x 6"

EPET Series incorporate plastic knob & Bi-Metal Sensor housing.

HLT Series incorporates screwdriver temperature adjustment slot and all metal housing. External bulb and capillary sensor.

Features

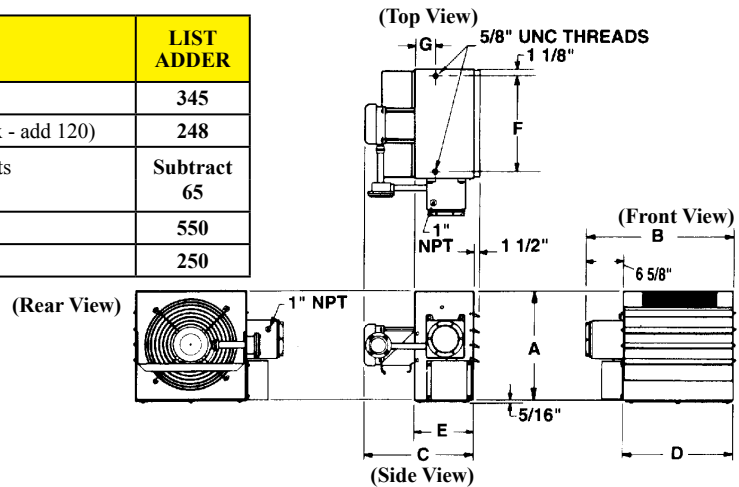
- SPDT & DPDT Models
- Heat or cool compatible
- Celsius and Fahrenheit temperature scale
- Bi-Metal or capillary sensor
- Snap action switch
- Casting tapped top and bottom for 3/4" conduit
- 1/2" thick cast aluminum housing
- All EPET/T1/T2 optional thermostats manufactured with anti-static plastic
- Dimension 5.75" x 6.375" x 5.57"
- Made in U.S.A.

HLA Series Hazardous Location Fan Forced Unit Heater

Factory Installed Accessories & Physical Dimensions

SUFFIX	DESCRIPTION	LIST ADDER
T	In-Built single pole thermostat 50° - 90° F	345
120	Control transformer w/ primary fusing (Delete 24 suffix - add 120)	248
208	208/240V Control available on 208/240V units (Delete 24 suffix and add 208 OR 240)	Subtract
240		65
D	Disconnect Switch	550
P	Pilot Light	250

MFG MODEL	A	B	C		D	E	F	G
			3 ph.	1 ph.				
HLA 12	17 ¾	22 ¾	19 ¾	20 ¾	16 ¼	10 ½	14	3
HLA 16	20 ¾	26 ¾	20 ¾	21 ¾	20 ¼	11 ½	18	4
HLA 20	24 ¾	30 ¾	22 ½	N/A	24 ¼	12 ½	22	4 ½



PHLA Series Portable Hazardous Location Fan Forced Unit Heater



- 3.0 through 25 KW rating
- 208, 240, 480, 600 Volt available in selected capacities
- Cart has anti-static wheels to reduce the risk of static discharge
- Wheeled cart allows for easy maneuverability
- Cart has integrated fork-lift channels to provide ease of lifting on to ramps or trucks
- Excellent for providing seasonal heating in hazardous environments
- All units have disconnect switch, pilot light, and thermostat - standard
- 24 Volt control, transformer, and contactor in NEMA 7 enclosure
- Durable epoxy coating on heater housing
- Hazardous location unit mounted male / female plug
- Adjustable louvers; manual reset
- Made in U.S.A.

Standard Portable Hazardous Location Models

MFG CATALOG NUMBER	MFG MODEL NUMBER	KW	BTUs	VOLTS	PH	AMPS	TEMP RISE F	AIR THROW	CFM	WT. (LBS)	LIST
07393402	PHLA12-208160-3.0-24-TDP	3	10,250	208	1	16.3	16.5	24'	580	260	21,166
07393302	PHLA12-208360-3.0-24-TDP			208	3	9.8					
07393202	PHLA12-240160-3.0-24-TDP			240	1	14.8					
07393102	PHLA12-240360-3.0-24-TDP			240	3	8.6					
07393002	PHLA12-480360-3.0-24-TDP			480	3	4.3					
07394302	PHLA12-600360-3.0-24-TDP			600	3	3.5					
07392902	PHLA12-208160-5.0-24-TDP	5	17,100	208	1	26	27.6	24'	580	260	21,537
07392802	PHLA12-208360-5.0-24-TDP			208	3	15.4					
07392702	PHLA12-240160-5.0-24-TDP			240	1	23.1					
07392602	PHLA12-240360-5.0-24-TDP			240	3	13.4					
07392502	PHLA12-480360-5.0-24-TDP			480	3	6.7					
07394202	PHLA12-600360-5.0-24-TDP			600	3	5.4					
07392402	PHLA12-208160-7.5-24-TDP	7.5	25,600	208	1	38	41.4	24'	580	305	21,961
07392302	PHLA12-208360-7.5-24-TDP			208	3	22.3					
07392202	PHLA12-240160-7.5-24-TDP			240	1	33.6					
07392102	PHLA12-240360-7.5-24-TDP			240	3	19.4					
07392002	PHLA12-480360-7.5-24-TDP			480	3	9.7					
07394102	PHLA12-600360-7.5-24-TDP			600	3	7.8					
07391902	PHLA16-208360-10.0-24-TDP	10	34,150	208	3	29.3	21.7	40'	1500	305	23,765
07391802	PHLA16-240160-10.0-24-TDP			240	1	44					
07391702	PHLA16-240360-10.0-24-TDP			240	3	25.5					
07391602	PHLA16-480360-10.0-24-TDP			480	3	12.7					
07394002	PHLA16-600360-10.0-24-TDP			600	3	10.2					
07391502	PHLA20-208360-15.0-24-TDP			208	3	43.5					
07391402	PHLA20-240360-15.0-24-TDP	15	51,200	240	3	38.1	19.2	43'	2450	350	25,611
07391302	PHLA20-480360-15.0-24-TDP			480	3	19					
07393902	PHLA20-600360-15.0-24-TDP			600	3	15.2					
07391202	PHLA20-480360-20.0-24-TDP			480	3	25.1					
07393802	PHLA20-600360-20.0-24-TDP			600	3	20					
07391102	PHLA20-480360-25.0-24-TDP			480	3	31.1					
07393702	PHLA20-600360-25.0-24-TDP	25	85,400	600	3	24.9	32.8	43'	2450	350	26,099
											26,947

Note: Products listed in this section are custom built and subject to 100% cancellation/restock charges.

FEP Series Single Phase Hazardous Location Wall Convectors



- Cabinet size 18" high, 9" wide.
- Bottom In - Top Out air flow.
- Wall mounting bracket supplied.
- Units can not be operated in room ambients exceeding 104°F (40°C).
- Heavy duty 16 gauge steel with gray epoxy textured powder coated finish.
- 9" minimum clearance from bottom of heater to floor required.
- Stainless steel cartridge element inserted into Aluminum finned Copper sheath.
- Standard unit (without EPET thermostat or control section) is NEMA 4 rated.
- Made in U.S.A.

T-2A SERIES SINGLE PHASE Class 1, Group B, C & D Division 1 & 2 280° C / 536° F								
MFG CATALOG NUMBER	MFG MODEL NUMBER	WATTS	BTUs	VOLTS	AMPS	CABINET LENGTH	WT. (LBS.)	LIST
04451402	FEP-1812-1RA	1800	6143	120	15.0	34"	50	1585
04451502	FEP-1820-1RA			208	8.7			
04451602	FEP-1824-1RA			240	7.5			
04451702	FEP-1827-1RA			277	6.5			
04451802	FEP-1848-1RA			480	3.8			
04451902	FEP-3620-1RA	3600	12286	208	17.3	34"	54	2418
04452002	FEP-3624-1RA			240	15.0			
04452102	FEP-3627-1RA			277	13.0			
04452202	FEP-3648-1RA			480	7.5			
04452302	FEP-3657-1RA			600	6.0			
04452402	FEP-3820-1RA	3800	12969	208	18.3	58"	80	2564
04452502	FEP-3824-1RA			240	15.8			
04452602	FEP-38271-1RA			277	13.7			
04452702	FEP-3848-1RA			480	7.9			
04452802*	FEP-7620-1RA			7600	25938			
04452902*	FEP-7624-1RA	240	31.7					
04453002*	FEP-7627-1RA	277	27.4					
04453102	FEP-7648-1RA	480	15.8					
04453202	FEP-7657-1RA	600	12.7					

*Items may not be used with 22 Amp line voltage thermostat

T-3A SERIES SINGLE PHASE Class 1, Group B, C & D Division 1 & 2 180° C / 356° F								
MFG CATALOG NUMBER	MFG MODEL NUMBER	WATTS	BTUs	VOLTS	AMPS	CABINET LENGTH	WT. (LBS.)	LIST
04453302	FEP-0812-1RA	800	2730	120	6.7	34"	50	1585
04453402	FEP-0820-1RA			208	3.8			
04453502	FEP-0824-1RA			240	3.3			
04453602	FEP-0827-1RA			277	2.9			
04453702	FEP-0848-1RA			480	1.7			
04453802	FEP-1612-1RA	1600	5460	120	13.3	34"	54	2418
04453902	FEP-1620-1RA			208	7.7			
04454002	FEP-1624-1RA			240	6.7			
04454102	FEP-1627-1RA			277	5.8			
04454202	FEP-1648-1RA			480	3.3			
04454302	FEP-1657-1RA	1700	5802	600	2.7	58"	80	2564
04454402	FEP-1712-1RA			120	14.2			
04454502	FEP-1720-1RA			208	8.2			
04454602	FEP-1724-1RA			240	7.1			
04454702	FEP-1727-1RA			277	6.1			
04454802	FEP-1748-1RA	3400	11604	480	3.5	58"	85	2983
04454902	FEP-3420-1RA			208	16.3			
04455002	FEP-3424-1RA			240	14.2			
04455102	FEP-3427-1RA			277	12.3			
04455202	FEP-3448-1RA			480	7.1			
04455302	FEP-3457-1RA			600	5.7			

Factory Installed Control Options

SUFFIX*	DESCRIPTION	LIST
T1	EPETD8S single pole thermostat factory mounted to 120V - 480V units. (50°F - 90°F)	626
T2	EPETD8D double pole thermostat factory mounted to 120V - 480V units. (50°F - 90°F)	648

*Remove - RA suffix and add new suffix. Suffix "T" is 22 Amps maximum.

Note: All EPET / T1 / T2 optional thermostats manufactured with anti-static plastic

Note: Products listed in this section are custom built and subject to 100% cancellation/restock charges.

FEP Series Three Phase Hazardous Location Wall Convectors

- Cabinet size 18" high, 9" wide. • Made in U.S.A.
- Bottom In - Top Out air flow.
- Wall mounting bracket supplied.
- Units can not be operated in room ambients exceeding 104°F (40°C).
- Heavy duty 16 gauge steel with gray epoxy textured powder coated finish.
- 9" minimum clearance from bottom of heater to floor required.
- Stainless steel cartridge element inserted into Aluminum finned Copper sheath.
- Standard unit (without EPET thermostat or control section) is NEMA 4 rated.

T-2A SERIES THREE PHASE Class 1, Group B, C, & D Divisions 1 & 2 280° C / 536° F								
MFG CATALOG NUMBER	MFG MODEL NUMBER	WATTS	BTUs	VOLTS	AMPS	CABINET LENGTH	WT. (LBS.)	LIST
04830502	FEP-1820-3RA	1800	6143	208	5.0	34"	50	1825
04830602	FEP-1824-3RA			240	4.3			1984
04862202	FEP-1848-3RA			480	2.2			1984
04830702	FEP-3620-3RA	3600	12286	208	10.0	34"	54	2783
04830802	FEP-3624-3RA			240	8.7			2783
04862302	FEP-3648-3RA			480	4.3			2893
04830902	FEP-3820-3RA	3800	12969	208	10.5	58"	80	2955
04831002	FEP-3824-3RA			240	9.1			3182
04862402	FEP3848-3RA			480	4.6			3182
04831102	FEP-7620-3RA	7600	25938	208	21.1	58"	85	3420
04831202	FEP-7624-3RA			240	18.3			3420
04862502	FEP-7648-3RA			480	9.2			3420



Standard Unit

T-3A SERIES THREE PHASE Class 1, Group B, C & D Division 1 & 2 180° C / 356° F								
MFG CATALOG NUMBER	MFG MODEL NUMBER	WATTS	BTUs	VOLTS	AMPS	CABINET LENGTH	WT. (LBS.)	LIST
04831302	FEP-0820-3RA	800	2730	208	2.2	34"	50	1825
04831402	FEP-0824-3RA			240	1.9			1984
04862602	FEP-0848-3RA			480	0.9			1984
04831502	FEP-1620-3RA	1600	5460	208	4.4	34"	54	2783
04831602	FEP-1624-3RA			240	3.8			2783
04862702	FEP-1648-3RA			480	1.9			2893
04831702	FEP-1720-3RA	1700	5802	208	4.7	58"	80	2955
04831802	FEP-1724-3RA			240	4.1			3182
04862802	FEP-1748-3RA			480	2.0			3182
04831902	FEP-3420-3RA	3400	11604	208	9.4	58"	85	3387
04832002	FEP-3424-3RA			240	8.2			3387
04862902	FEP-3448-3RA			480	4.1			3387



Unit with optional control section containing disconnect, pilot light, and thermostat (Suffix C1-TDP)

Note: Controls mounted on the left side only.

*T1 and T2 option not available on 3 phase models

Factory Installed Control Options

SUFFIX**	DESCRIPTION	LIST
C1-TD	Control section with transformer, 24V contactor, SP thermostat (40°F - 110°F) and disconnect switch (all units)	2133
C1-TDP	Control section with transformer, 24V contactor, SP thermostat (40°F - 110°F), disconnect switch & pilot light (all units)	2215

**Remove - RA suffix and add new suffix (Not NEMA washdown rated or rated for Group B atmospheres)

Note: C1-TD and C1-TDP are only options available for 3 phase units.

Remote Mounted Hazardous Location Thermostats For Single Phase Models Only



HLT Series



MFG CATALOG NUMBER	MFG MODEL NUMBER	DESCRIPTION	LOAD RATINGS	RANGE	LIST
05380702	EPETD8D	DPDT - Bi-Metal	22A @120-277VAC	50-90°F	375
05381002	EPETD8S	SPDT - Bi-Metal	22A @120-277VAC	50-90°F	
05280702	EPETP8D	DPDT - Bi-Metal	22A @120-480VAC	50-90°F	
05280602	EPETP8S	SPDT - Bi-Metal	22A @120-480VAC	50-90°F	515
05231502	HLT-1	SPDT - Capillary	22A @120-277VAC	40-110°F	
05231602	HLT-2	DPDT - Capillary	22A @120-277VAC	40-110°F	544

Master ctn: 4 pcs, 24 lbs (varies slightly by model), 16" x 14.5" x 6"

EPET Series incorporates plastic knob & Bi-Metal Sensor housing.

HLT Series incorporates screwdriver temperature adjustment slot and all metal housing. External bulb and capillary sensor.

Note: All EPET / T1 / T2 optional thermostats manufactured with anti-static plastic

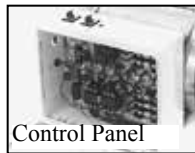
EPET Series Parameters

Dimensions	Finish	Type
H: 5 5/8", W: 6 3/8", D: 4 1/2"	Silver-Gray	Single or Double Pole

Motor Rating	Rating	Rated*
(full load) 1 1/2 HP @ 250V	22A @ 125-277VAC; 125 VA @ 24VAC	Class I Group C & D, Class II Group E, F, G
*Thermostat is not rated for use in Group B environments.		

Note: Products listed in this section are custom built and subject to 100% cancellation/restock charges.

5500 Series Washdown Fan Forced Unit Heater



The Washdown Series unit heaters are electric unit heaters constructed for use in areas that require washing or hosing of equipment due to dirty or dusty industrial environments in non-hazardous locations. The totally enclosed water-tight construction made with corrosion-resistant material make this series ideal for industrial heating applications. The Washdown Series is constructed with all built-in controls and safety temperature controls wired in a non-metallic Nema 4x control panel with single-point power connections.



- Heavy-duty 304 16 gauge stainless steel shroud.
- 316 stainless construction available.
- Nema 4x non-metallic control panel.
- 24-Volt transformer and control panel.
- 3-position switch (off-heat-fan).
- Capillary thermostat with stainless steel sensor.
- Automatic reset thermal cutout.
- Totally enclosed U.L. listed motor.
- Pilot light (power on indicator).

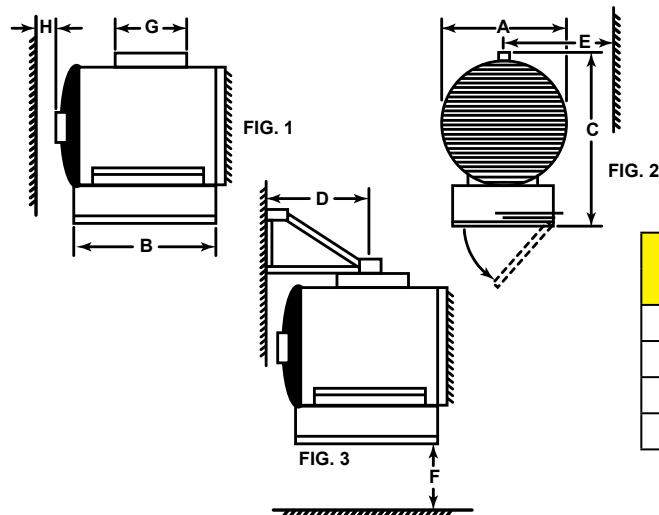
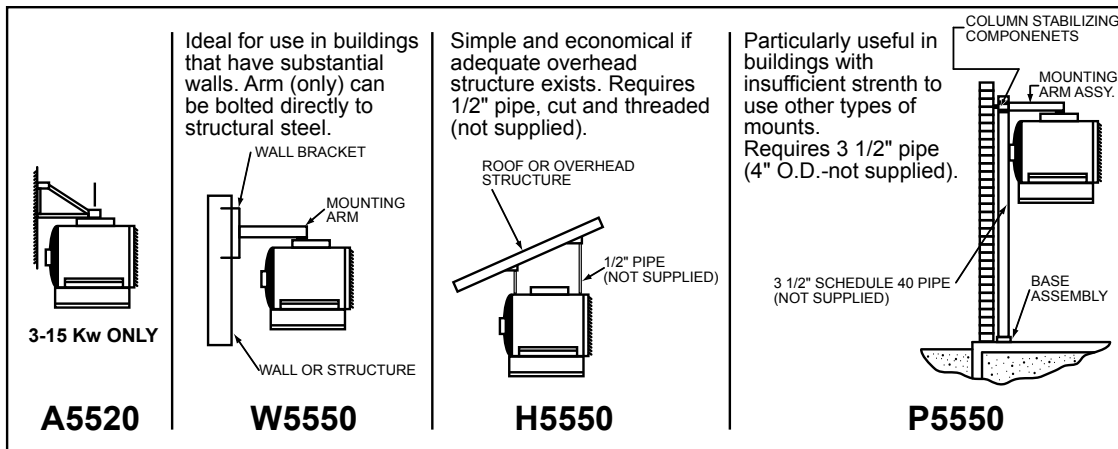


- Stainless steel finned tubular element. Constructed of 304 or 316 stainless rod and fins.
- Control panel on bottom of unit for ease of installation and service.
- Disconnect switch with enclosure door interlock.
- Front grill rotates to direct airflow.
- Single-point power connection.
- Fan Blade Epoxy coated Aluminum.
- Epoxy painted cold roll steel model available, consult factory
- Meets all U.L., NEC, and OSHA requirements (when installed as directed).
- Corrosion-resistant in high humidity and water-saturated areas (for areas where corrosion resistance is needed in non-explosive areas, contact factory for heater applications and optional materials).
- Thermostat temp range: 40°-110°F
- Made in U.S.A.

Mounting Bracket Kits & Product Dimensions

SIZE KW	MFG CATALOG NUMBER	STAINLESS Steel COMBINATION BRACKET	LIST	MFG CATALOG NUMBER	WALL MTG. BRACKET *	LIST	MFG CATALOG NUMBER	HANGING BRACKET *	LIST	MFG CATALOG NUMBER	PIPE MTG. BRACKET *	LIST
3.3-15	07136702	A5520/UHB	318	07137202	W5520/WMK	452	07137002	H5520/HMK	318	07136802	P5520/PMK	452
20-48		----	-	07137302	W5550/WMK		07137102	H5550/HMK		07136902	P5550/PMK	

* Material: Heavy Duty Epoxy Powder Coat Finish.



Heater KW	Heater Dimension in Inches unless otherwise stated.							
	A	B	C	D	E	F	G	H
3-7.5	12.00	18.00	19.75	15.25	16.25	6 ft.	8.00	6.00
10-15	14.00	19.00	21.75	15.25	18.00		8.00	6.00
20-30	16.00	27.00	28.75	19.50	17.50		15.50	4.50
40-48	18.00	31.00	30.75	19.50	19.50		21.75	2.75

5500 Series Washdown Fan Forced Unit Heater

Product Specifications & Standard Washdown Models

Enclosure and Motor: Element housing shall be 16 gauge 304 or 316 stainless steel shroud. The outlet grill and louver assembly shall be 304/316 stainless steel and rotate for direction of discharge air. The heater shall have a 304/316 stainless steel inlet grill and fan guard. The motor shall be totally enclosed, permanently lubricated and designed to resist moisture and corrosion. The fan blade shall be aluminum with a powder coated epoxy finish.

Element: The heating element shall be 304 or 316 stainless steel tube with 304/316 stainless steel fin material helically attached to the tube for even heat transfer. The element designed with the highest quality nickel-chromium resistance wire embedded in compacted efficient dielectric to ensure proper heat transfer.

Control Panel: The control enclosure shall be non-metallic Nema 4X control panel water-tight and dust-tight. The enclosure and elements are attached to the control panel with stainless steel fasteners. Standard control components are factory mounted and wired with access through control panel door on bottom of heater assembly. A standard door interlock disconnect switch shall be factory mounted and wired for safety.

Controls: All controls shall be factory mounted and wired in Nema 4X panel. Terminal block, 24 Volt transformer, high temperature limits, contactor and fusing if required by NEC are mounted and wired in control panel. A three-position switch (Off-Heat-Fan) shall be mounted on side of control panel for access from outside of panel. A pilot light to indicate power is on for safety shall be located on side of control panel. A wall mounted Nema 4X thermostat is an optional accessory.

Mounting Bracket: A formed 304/316 stainless steel bracket shall be used on 3.3 thru 15 KW units. A cast iron epoxy painted bracket shall be used on 20 thru 48 KW units. Above brackets shall be combination wall/ceiling type. Optional mounting brackets are available.

MFG CATALOG NUMBER	MFG MODEL NUMBER	KW	BTUs	VOLTS	PH	AMPS	CONTROL VOLTAGE	TEMP RISE °F	AIR THROW	CFM	WT. (LBS)	LIST
07130402	F1F5503T	3.3	11200	208	1	15.9	24	26				4195
07130502	F3F5503T			208	3	9.2						
07130602	H1H5503T			240	1	13.7						
07130702	H3H5503T			240	3	7.9						
07130802	G1G5503T			277	1	11.9						
07130902	P3P5503T			480	3	4						
07131102	F1F5505T	5	17100	208	1	24.1		40	20'	400	58	4354
07131202	F3F5505T			208	3	13.9						
07131302	H1H5505T			240	1	20.8						
07131402	H3H5505T			240	3	12.1						
07131502	G1G5505T			277	1	18.1						
07131602	P3P5505T			480	3	6.1						
07131802	F1F5507T	7.5	25600	208	1	36.1		60				4959
07131902	F3F5507T			208	3	20.8						
07132002	H1H5507T			240	1	31.3						
07132102	H3H5507T			240	3	13.1						
07132202	G1G5507T			277	1	27.1						
07132302	P3P5507T			480	3	9.1						
07132502	F1F5510T	10	34130	208	1	47.8		45				5966
07132602	F3F5510T			208	3	27.7						
07132702	H1H5510T			240	1	41.2						
07132802	H3H5510T			240	3	24.1						
07132902	G1G5510T			277	1	36.1						
07133002	P3P5510T			480	3	12.1						
07133902	F1F5515T	15	51200	208	1	72.1	68				6842	
07134002	F3F5515T			208	3	41.7						
07134102	H1H5515T			240	1	62.5						
07134202	H3H5515T			240	3	36.1						
07134402	P3P5515T			480	3	18.1						
07134602	F3F5520T			20	68260	208						3
07134702	H3H5520T	240	3			48.2						
07134802	P3P5520T	480	3			24.1						
07135002	F3F5525T	25	85325	208	3	69.5	56	35'	1400	92	7859	
07135102	H3H5525T			240	3	60.2						
07135202	P3P5525T			480	3	30.1						
07135402	F3F5530T	30	102390	208	3	83.4	68				8580	
07135502	H3H5530T			240	3	72.3						
07135602	P3P5530T			480	3	36.1						
07136002	P3P5540T	40	136520	480	3	48.2	70	42'	1800	126	8945	
07136402	P3P5548T	48	163824	480	3	57.8	84				11123	

Note: Products listed in this section are custom built and subject to 100% cancellation/restock charges.
 Note: For 60Amp disconnect add \$50.00 Net. Add 'D' as the suffix; For optional monel elements, add 40% to the net of the heater. For powder coat epoxy painting of shroud, add \$210 list to heater pricing. For 316 stainless add 20% to net price of the heater.

Remote Rain-Tight Thermostat



MFG CATALOG NUMBER	MFG MODEL NUMBER	DESCRIPTION	LIST
05234202	TW155A	1 POLE, 40-110°F, 22Amp	191
05234302	TW255A	2 POLE, 40-110 °F, 22Amp	223

- NEMA 4X Construction with Stainless Steel Hardware
- Made in U.S.A. with domestic and foreign components

UH Series Horizontal Fan Forced Unit Heater

**3.3 KW THROUGH 48 KW HORIZONTAL DISCHARGE SUSPENDED FAN FORCED UNIT HEATERS
AVAILABLE IN 1 OR 3 PHASE FOR ALL STANDARD VOLTAGES FROM 208V TO 480V.**



FACTORY INSTALLED OPTIONS:

- 24 Volt transformer on 3 KW to 15KW units to convert from line voltage to low voltage remote thermostat operation.
- Summer fan switch to operate the fan only.
- Fan delay switch to purge all residual heat from the unit after the heating element has cycled off.
- Powder coated epoxy finish for corrosive atmospheres.
- Disconnect switch.
- Made in U.S.A.

CONSTRUCTION:

Heavy gauge welded steel cabinet with powder coated finish and control compartment with a hinged and latched access door, simplifying wiring installation & maintenance.

HEATING ELEMENT:

Circular copper clad steel sheath element with continuously brazed steel fins formed to match the air delivery pattern of the fan blade.

OVERHEAT PROTECTION:

All units come equipped with automatic resetting type limit controls to de-energize the heater should an over-temperature situation occur.

FAN and MOTOR:

Totally enclosed, single phase, permanently lubricated, thermally protected motors with unit bearings on 3 KW - 10 KW models and sleeve bearings on 12.5 KW - 48 KW models - mounted with rubber insulators to minimize vibration and noise. Fan assembly enclosed by a heavy gauge, close spaced, chrome plated wire guard.

LOUVER ASSEMBLY:

Louvers are individually adjustable for directional control of air flow and the entire assembly can be repositioned in the field from down flow to up flow or left / right directional air flow.

TEMPERATURE CONTROLS:

20 KW through 48 KW units and all 480V have built in 24 Volt transformer for low voltage remote thermostat application. 25 KW through 48 KW models available in 2-stage on special order (consult factory).

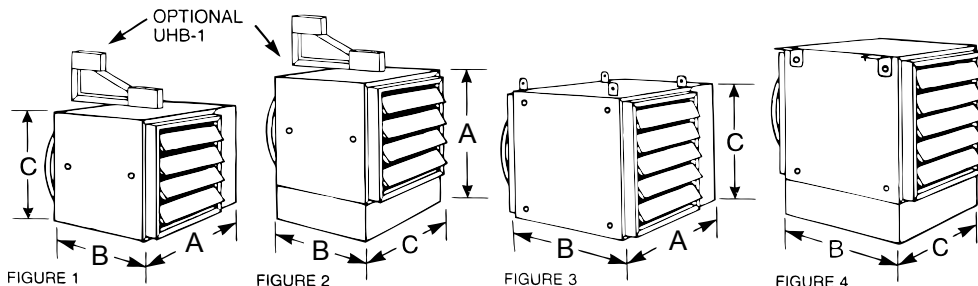
INSTALLATION:

Unit Heaters can be mounted with the motor shaft from horizontal to downward at 45° off horizontal. Pre-drilled holes and installed threaded nuts provided to allow hanging by threaded rods - 1/4" for units up to 15 KW and 3/16" for 20 KW units and larger. Optional wall / ceiling mounting brackets are available for all units.

MAXIMUM RECOMMENDED MOUNTING HEIGHT	
3 - 10 KW	9 FT.
12 - 15 KW	10 FT.
20 - 30 KW	13 FT.
40 - 48 KW	16 FT.

NOTE: Louver assembly is square and mounted with screws. Louver can be removed and repositioned for four (4) directional air flow - left - right - up - down with the heater in the horizontal position.

Product Dimensions & Model Number Designation



Dimensions	A	B	C
Figure 1: 3.3, 5, 7.5, 10 KW	20"	11"	13"
Figure 2: 12.5, 15 KW	22"	11"	15"
Figure 3: 20, 25, 30 KW	24"	17"	17"
Figure 4: 40, 48 KW	26"	23"	19"

FIGURE 1 3.3 KW THROUGH 15 KW UNIT HEATERS

FIGURE 2 20 KW THROUGH 48 KW UNIT HEATERS

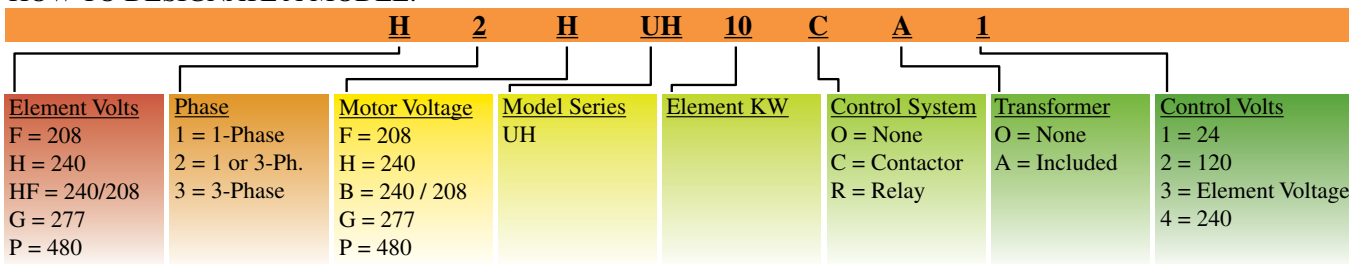
Figures 3 & 4 shown with standard mounting tabs for units over 20 KW. Optional UHB-3 and UHB-4 wall brackets are available. 3.3 KW thru 15 KW units can be mounted using 1/4" threaded rod. 20 KW thru 48 KW units can be mounted using 3/16" threaded rod.

Factory & Field Installed Accessories

FACTORY INSTALLED OPTIONS			FIELD INSTALLED ACCESSORIES			
SUFFIX	DESCRIPTION	LIST	MFG CATALOG NUMBER	MFG MODEL NUMBER	DESCRIPTION	LIST
CA1F	Heat purge fan delay switch includes 24v transformer and contactor on 208-240-277 volt units	219	06462302	DCS303	30 Amp Disconnect Kit	260
CA2F	Heat purge fan delay switch includes 120v transformer and contactor on 208-240-277 volt units	219	06462402	DCS403	40 Amp Disconnect Kit	306
F	Heat purge fan delay switch on 480v units CA1 low voltage transformer and contactor included	127	06462502	DCS803	80 Amp Disconnect Kit	401
S	Summer Fan Switch	63	06462602	DCS1003	100 Amp Disconnect Kit	404
CA1	24v Transformer (3.3 KW - 15 KW units) & Contactor	160	06879902	TUH1	25 Amp SPST Thermostat Kit (40°F - 110°F)	79
CA2	120v Transformer (3.3 KW - 15 KW units) & Contactor	160	06991002	UHB-1	wall / ceiling bracket 3.3 KW - 15 KW units	108
E	Epoxy Coating	121	06991102	UHB-3	wall / ceiling bracket 20 KW - 30 KW units	122
T	SPST Thermostat (40°F - 110°F)	74	06991202	UHB-4	wall / ceiling bracket 35 KW - 48 KW units	155
D	Disconnect Switch - 30 Amps; 0-24 Amps	305				
	Disconnect Switch - 40 Amps; 24.1-32 Amps	350				
	Disconnect Switch - 80 Amps; 32.1-64 Amps	439				
	Disconnect Switch - 100 Amps; 64.1-80 Amps	538				

UH Series Horizontal Fan Forced Unit Heater

HOW TO DESIGNATE A MODEL:



Factory Installed Options (use as a suffix on model designation):

S = Summer Fan Switch, F = Fan Delay, D = Disconnect, T = Built-in Thermostat, E = Epoxy Coated

Field Installed Options:

Disconnect Switch, Built-in Thermostat, & Wall / Ceiling Bracket

Standard Product Models

MFG CATALOG NUMBER	MFG MODEL NUMBER	KW	BTUs	VOLTS	PH	AMPS	CONTROL VOLTS	TEMP RISE °F	AIR THROW	CFM	RECOM'D MOUNTING HT.	WT. (LBS)	LIST	
06446002	F1FUH03003	3.3	11200	208	1	15.9	208	26	26'	400	9'	36	736	
06446602	H1HUH03003			240	1	13.8	240							
06447202	G1GUH03003			277	1	11.9	277							
07114802	H3HUH03C03			240	3	7.9	240							
07114902	F3FUH03C03			208	3	9.2	208							
07114002	P3PUH03CA1			480	3	4	24						938	
06446102	F1FUH05003	5	17100	208	1	24.1	208	40	26'	400	9'	36	769	
06446702	H1HUH05003			240	1	20.8	240							
06447302	G1GUH05003			277	1	18.1	277							
06449302	F2FUH05C03			208	1 or 3	24.1 / 14.0	208					44	1017	
06449402	H2HUH05C03			240	1 or 3	20.8 / 12.1	240							
06448802	P3PUH05CA1			480	3	6.1	24							
07180502	F1FUH07CA1	7.5	25600	208	1	36.1	24	42	36'	575	9'	40	1185	
07173702	H1HUH07CA1			240	1	31.3	24					41		
07151802	G1GUH07CA1			277	1	27.1	24					41		
06447902	F3FUH07C03			208	3	20.8	208					44		1279
06449502	H2HUH07C03			240	1 or 3	31.3 / 18.1	240							
06448902	P3PUH07CA1			480	3	9.1	24							
07170902	F1FUH10CA1	10.0	34100	208	1	48.1	24	55	36'	575	9'	42	1306	
06808402	H1HUH10CA1			240	1	41.7	24							
07173802	G1GUH10CA1			277	1	36.1	24							
06449602	F2FUH10C03			208	1 or 3	48.1 / 27.8	208							
06449702	HF2BUH10C03	10 / 7.5	34100	240	1 or 3	41.7 / 24.1	240	55	36'	575	9'	45	1354	
07114202	P3PUH10CA1	10.0	34100	480	3	12.1	24	55				51		
06446402	F1FUH12C03	12.5	42600	208	1	60.1	208	49	45'	800	10'	45	2102	
06447002	H1HUH12C03			240	1	52.1	240							
06448102	F3FUH12C03			208	3	34.7	208							
06448602	H3HUH12C03			240	3	30.1	240							
07114302	P3PUH12CA1			480	3	15.1	24					2186		
06446502	F1FUH15C03	15.0	51200	208	1	72.1	208	59	45'	800	10'	54	2313	
06447102	H1HUH15C03			240	1	62.5	240							
06448202	F3FUH15C03			208	3	41.7	208							
06448702	H3HUH15C03			240	3	36.1	240							
07114402	P3PUH15CA1			480	3	18.1	24					2405		
06883002	F1FUH20CA1*	20.0	68300	208	1	96.2	24	47	56'	1350	13'	55	3174	
06884202	H1HUH20CA1*			240	1	83.3	24							
06883102	F3FUH20CA1			208	3	55.6	24							
06884302	H3HUH20CA1			240	3	48.2	24							
06883202	P3PUH20CA1			480	3	24.1	24							
06884402	F1FUH25CA1	25.0	85300	208	1	120.2	24	58	56'	1350	13'	55	3740	
06883302	H1HUH25CA1			240	1	104.2	24							
06884502	F3FUH25CA1			208	3	69.5	24							
06883402	H3HUH25CA1			240	3	60.2	24							
06884602	P3PUH25CA1			480	3	30.1	24							
06884702	H1HUH30CA1	30.0	102390	240	1	125	24	70	56'	1350	13'	60	4331	
06883602	F3FUH30CA1*			208	3	83.4	24							
06884802	H3HUH30CA1			240	3	72.3	24							
06883702	P3PUH30CA1			480	3	36.1	24							
06884002	P3PUH40CA1	40.0	136500	480	3	48.2	24	55	56'	2275	16'	75	5535	
06887802	P3PUH48CA1	48.0	163800	480	3	57.8	24	67	56'	2275	16'	78	6910	

*Disconnect not available

5100 Series Horizontal or Vertical Mounted Fan Forced Unit Heater

3.3 KW THROUGH 50 KW SUSPENDED FAN FORCED UNIT HEATERS AVAILABLE IN 1 OR 3 PHASE FOR ALL STANDARD VOLTAGES FROM 208V TO 480V THAT CAN BE MOUNTED TO PROVIDE HORIZONTAL OR VERTICAL DISCHARGE.



Vertical Discharge



Horizontal Discharge

CONSTRUCTION:

Heavy 18 gauge welded steel cabinet with powder coated finish and control compartment housing a master terminal board with a hinged and latched access door, simplifying wiring, installation & maintenance.

HEATING ELEMENT:

Copper clad steel sheath element with continuously brazed steel fins formed to allow side draw through air flow.

OVERHEAT PROTECTION:

All units come equipped with automatic reset type limit controls to de-energize the heater should an over-temperature situation occur.

FAN and MOTOR:

Totally enclosed, 1-speed, 1-phase, permanently lubricated, thermally protected motors with unit bearings on 3 KW - 20 KW models. Totally enclosed, 2-speed, 1-phase, permanently lubricated, thermally protected motors with sleeve bearings on 25 KW - 50 KW models. All motors mounted with rubber insulators to minimize vibration & noise. Fan over-ride purges unit of residual heat at shutdown.

LOUVER ASSEMBLY:

Louvers are individually adjustable for directional control of air flow up to 15° from straight horizontal. Optional diffusers available for down flow (vertical discharge) applications.

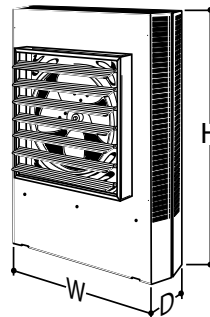
TEMPERATURE CONTROLS:

Optional low voltage and line voltage thermostats available with an adjustable temperature range of 40°F to 110°F. Units with model numbers ending in CA1 are factory wired for low voltage controls. 25 KW through 50 KW units are designed for two stage heating operation.

INSTALLATION:

Unit Heaters can be mounted for horizontal or vertical discharge. Applications up to 6000 Ft. See UH Series above 6000 Ft.

Taskmaster Dimensions



KW RATING	DIMENSIONS (inches)		
	H	W	D
3.3 - 5.0	17 ¾	14 15/32	6 ½
7.5 - 10.0	24 5/16	21 ½	6 ½
15.0 - 20.0	28 11/16	21 ½	6 ½
25.0 - 50.0	34	29 ¼	10 1/16

FEATURES:

- Made in U.S.A.

FIELD INSTALLED OPTIONS:

- In-unit or wall mounted temperature control thermostats low or line voltage.
- Summer fan switch to operate the fan only.
- Power disconnect switch.
- Heat stratification thermostat.



Installing the Taskmaster Series

DETERMINING HEATER REQUIREMENTS

Calculate the heating loads using the NEMA handbook or ASHRAE guide. Then determine the quantity and size of unit heaters to be used. To maintain uniform heat and reduce stratified air, it is recommended that the total CFM of the units turn the air over approximately 3 times per hour. In instances where a large group of people are located and normally in the same area, use a large number of lower KW unit heaters. In warehouse areas or storage rooms where heat distribution and constant temperatures are less important, use fewer heaters of higher capacity.

HORIZONTAL MOUNT

Small rooms can be heated by one unit heater. Where two walls are exposed, heaters should be mounted as shown in Figure A. In larger rooms, units should be located so their air streams wipe exposed walls without blowing at them. Units should be located so that the air stream of one supports that of another thus setting up a circulatory air movement shown in Figure B. (Distance between units to be approximately 1-1/2 times published air throw.) Units should not be mounted horizontally in areas having ceiling heights in excess of 15-18 ft.

VERTICAL MOUNT

Units should be mounted vertically in high bay areas, or where heater location would not interfere with plant operation or traffic. Heaters should be situated to provide free air circulation. Size and selection of units should be based on recommended mounting height. Optional diffusers may best be employed to reduce high air velocity and at the same time disperse heated air in a uniform pattern. When unit heaters are used to combat cold air inrush from opened loading dock doors, one or more units should be arranged to blow warm air across opening (Figure C).

DUAL MOUNTING

Where square footage is large and comfort essential, both horizontal and vertical installations may best serve your requirements as Figure D demonstrates.

Note: Products in this section with factory installed controls are subject to 100% cancellation/restocking charges.

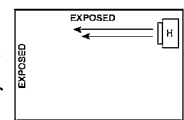


Figure A

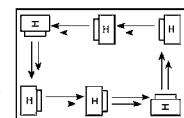


Figure B

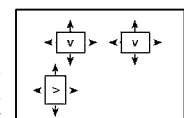


Figure C

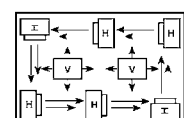
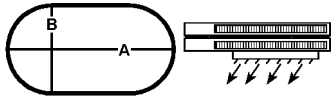
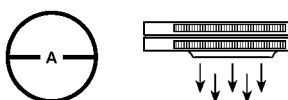
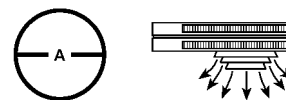
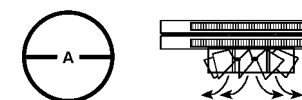


Figure D

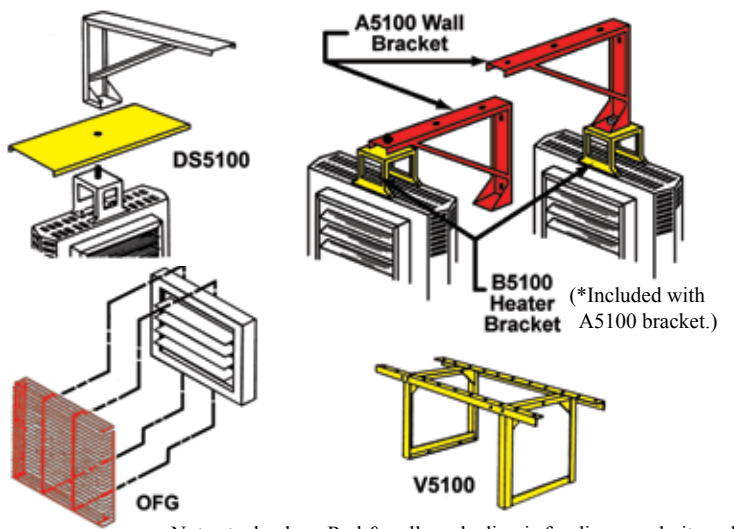
5100 Series Horizontal or Vertical Mounted Fan Forced Unit Heater

Diffuser Options

DESCRIPTION		MFG CATALOG NUMBER	MFG MODEL NUMBER	KW USED	MAX MOUNTING HEIGHT (ft.)		DIMENSION A (feet)		DIMENSION B (feet)		WT. (LBS)	LIST
1	Louver Diffuser (Standard). Louvers can be individually adjusted for rectangular coverage over doorways as an air curtain, or to meet rectangular floor pattern heating requirements.	NA	Standard	3.3-5	9	20	10	NA	NA	NA	NA	
				7.5-10	12	40	22					
				25-30	18	52	30					
				40-50	22	75	42					
					24	84	47					
2	General Distribution (No Diffuser). The 5100 air chute venturi permits general down flow air pattern distribution as required at a higher mounting height.	NA	Not Required	3.3-5	9	15	NA	NA	NA	NA		
				7.5-10	12	30						
				25-30	18	40						
				40-50	22	55						
					24	64						
3	Anemostat Diffuser (Optional). For applications where draft restriction is required at lower unit mounting heights.	06926802	AD5120	7.5-10	15	38	NA	NA	10	403		
		06811802	AD5150	25-30	17	50			12	601		
		06811802	AD5150	40-50	20	60			37	647		
		07220702	AD5175	60-70	31	-						
4	Radial Diffuser (Optional). Individually adjustable fins permit increased floor coverage at 45° open. Additional throw is accomplished when fins are 90° vertical. (Please allow for higher mounting heights.)	06926602	RD5120	7.5-20	45°	90°	45°	90°	NA	NA	12	446
		06926602	RD5120		10	14	36	30				
		06926702	RD5150	25-50	14	21	42	35			14	522
		06926702	RD5150		20	30	62	44				
		07220802	RD5175	60-70	18	28	68	54			39	562
			RD5175		26	36	72	60				

 <p>Description 1 Louver Diffuser</p>	 <p>Description 2 No Diffuser</p>	 <p>Description 3 Anemostat Diffuser</p>	 <p>Description 4 Radial Diffuser</p>
--	--	--	--

Mounting Brackets & Model Designator



Not actual colors. Red & yellow shading is for diagram clarity only.

MOUNTING BRACKETS				
MFG CATALOG NUMBER	MFG MODEL NUMBER	MODEL SIZE	WT. (LBS)	LIST
06926902	A5105	3.3 KW TO 5.0 KW	9	110
06927002	A5120	7.5 KW TO 20.0 KW	13	127
06927102	A5150	25.0 KW TO 50.0 KW	16	150
06886202	B5105	3.3 KW TO 20.0 KW	3	57
06886302	B5150	25.0 KW TO 50.0 KW	8	84
06928402	V5105	3.3 KW TO 5.0 KW	9	213
06928502	V5120	7.5 KW TO 20.0 KW	13	261
06928602	V5150	25.0 KW TO 50.0 KW	16	275
DUST SHIELD				
06928702	DS5105	3.3 KW TO 5.0 KW	3	40
06928802	DS5120	7.5 KW TO 20.0 KW	4	45
06812202	DS5150	25.0 KW TO 50.0 KW	5	47
FAN GUARD				
07065402	OFG5101	3.3 KW TO 5.0 KW	3	62
07065502	OFG5102	7.5 KW TO 20.0 KW	4	67
07065602	OFG5103	25.0 KW TO 50.0 KW	5	78

HOW TO DESIGNATE A MODEL:

HF 2 B 51 10 C A 1							
Element Volts F = 208 H = 240 HF = 240/208 G = 277 P = 480	Phase 1 = 1-Phase 2 = 1 or 3-Ph. 3 = 3-Phase	Motor Voltage F = 208 H = 240 B = 240 / 208 G = 277 P = 480	Model Series 51	Element KW	Control System Blank = None C = Contactor	Transformer Blank = None A = Included	Control Volts 1 = 24 2 = 120 (with CA option)

5100 Series Horizontal or Vertical Mounted Fan Forced Unit Heater

Standard Taskmaster Models & Series Notes

MFG CATALOG NUMBER	MFG MODEL NUMBER	KW	BTU / H	VOLTS	PH	AMPS	CONTROL VOLTAGE	TEMP RISE	AIR THROW	CFM	RECOMMENDED MOUNTING HT.		WT. (LBS)	LIST					
											Horizontal	Vertical							
06450802	F1F5103N	3.3	11.2	208	1	15.9 / 9.17	208	26°F	12'	400	9'	9'	25	736					
06451002	HF1B5103N	3.3/2.5	11.2 / 8.5	240/208	1	13.7 / 11.9	240 / 208												
06456802	F2F5103N	3.3	11.2	208	1/3	15.9 / 9.17	208												
06457002	HF2B5103N	3.3/2.5	11.2 / 8.5	240/208	1/3	13.7 / 11.9	240 / 208												
06457202	G1G5103N	3.3	11.2	277	1	11.9	277												
06451202	P3P5103CA1N			480	3	4.0	24												
06455402	F1F5105N	5.0	17.1	208	1	24.1	208	40°F	12'	400	9'	9'	25	769					
06455602	HF1B5105N	5.0/3.7	17.1 / 12.8	240/208	1	20.9 / 18.1	240 / 208												
06451402	F2F5105N	5.0	17.1	208	1/3	24.1	208												
06451602	HF2B5105N	5.0	17.1	240	1/3	20.8 / 18.1	240												
06458402	G1G5105N	5.0	17.1	277	1	18.1	277												
06451802	P3P5105CA1N	5.0	17.1	480	3	6.1	24												
06452002	F2F5107CA1L	7.5	25.6	208	1/3	36.1 / 20.8	24						34°F	22'	700	10'	12'	54	1185
06452202	HF2B5107CA1L	7.5	25.6	240	1/3	27.1 / 31.3													
06459202	G1G5107CA1L	7.5	25.6	277	1	27.1													
06452402	P3P5107CA1N	7.5	25.6	480	3	9.1													
06452602	F2F5110CA1L	9.9	33.8	208	1/3	47.8 / 27.4													
06452802	HF2B5110CA1L	10.0	34.1	240	1/3	41.2 / 24.0		45°F	22'	700	10'	14'						55	1306
06456402	G1G5110CA1N	10.0	34.1	277	1	36.1													
06453002	P3P5110CA1N	10.0	34.1	480	3	12.1													
06453202	F3F5115CA1L	15.0	51.2	208	3	41.7													
06453402	HF3B5115CA1L	15.0/11.2	51.2 / 38.4	240/208	3	36.1 / 31.3													
06453602	P3P5115CA1N	15.0	51.2	480	3	18.1	43°F	32'	1100	11'	20'	64	2102						
06453802	HF3B5120CA1L	19.7/14.8	67.2 / 50.5	240/208	3	47.8 / 41.1													
06454002	P3P5120CA1N	20.0	68.3	480	3	24.1													
06458802	F3F5125CA1L	25.0	85.3	208	3	69.5													
06459402	HF3B5125CA1L	25.0/18.7	85.3 / 64.0	240/208	3	60.2 / 52.1													
06459802	P3P5125CA1N	25.0	85.3	480	3	30.1													
06454202	F3F5130CA1L	30.0	102.4	208	3	83.4						40/44°F	45'	2000/1800	12'	22'	120	3401	
06454402	HF3B5130CA1L	30.0/22.5	102.4 / 76.8	240/208	3	72.3 / 62.5													
06454602	P3P5130CA1N	30.0	102.4	480	3	36.2						47/53°F	40'	2000/1800	12'	20'	120	3936	
06440402	F3F5140CA1L	40.0	136.5	208	3	111.2													
06440602	HF3B5140CA1L	40.0/30.0	136.5/102.4	240/208	3	96.4 / 83.4	40/45°F	55'	3100/2800	15'	24'	120	5032						
06440802	P3P5140CA1N	39.0	133.1	480	3	47.0													
06454802	F3F5150CA1L	49.6	169.3	208	3	139.0	51/56°F	50'	3100/2800	15'	22'	120	6281						
06455002	HF3B5150CA1L	50.0/37.5	170.6/128.0	240/208	3	120.5/104.3													
06455202	P3P5150CA1N	50.0	170.6	480	3	60.3													

International Models

MFG CATALOG NUMBER	MFG MODEL NUMBER	KW	BTU / H	VOLTS	PH	AMPS	CONTROL VOLTAGE	TEMP RISE	AIR THROW	CFM	RECOMMENDED MOUNTING HT.		WT. (LBS)	LIST				
											Horizontal	Vertical						
07153002	Q3H5103CA1	3.3	11263	380	3	5.02	24	26	12'	400	9'	9'	25	736				
07249202	R3H5103CA1			415		4.6												
07249302	Q3H5105CA1			380		7.6												
04249402	R3H5105CA1	415	6.96															
07171302	Q3H5107CA1	7.5	25600	380		11.4		34					22'	700	10'	12'	54	1185
07249502	R3H5107CA1	415	10.5															
06865702	Q3H5110CA1	10.0	34130	380		15.2		45	45	700	10'	14'	55	1306				
07249602	R3H5110CA1			415		13.9												
07249702	Q3H5115CA1			380		22.8												
07249802	R3H5115CA1	415	20.9	43		32'		1100	11'	20'	64	2102						
07041702	Q3H5120CA1	20.0	68260		380		30.4											
07249902	R3H5120CA1	415	27.85															
07191902	Q3H5125CA1	25.0	85325	380	38.0	40/44	45'	2000/1800	12'	22'	120	3401						
07106102	R3H5125CA1			415	34.8													
07250002	Q3H5130CA1			380	45.6													
07106202	R3H5130CA1	415	41.8	47/53	40'	3100/2800	12'	20'	120	3936								
07250102	Q3H5140CA1	40.0	136520								380	60.85						
07098302	R3H5140CA1	415	55.7	40/45	55'	3100/2800	15'	24'	120	5032								

- For 24V control add "CA1" suffix and \$105 list. • For 120V control add "CA2" suffix and \$105 list.
- For other voltages consult factory.

NOTES:

- 25-50KW models are wired for single or two stage heating and have two speed motors.
- Air delivery and motor data on dual voltage units reflect higher voltage.
- 600 Volt models available in 5 KW through 30 KW. Contact factory for delivery.
- Supply wire on 40 and 50 KW models should have rated insulation of 75°C minimum.
- Use T5122 for two stage control.
- Use TW123 for two stage control.
- Use TFS5102 for two stage control.
- Wall thermostat must be used when built-in stratification thermostat is required.

5100 Series Horizontal or Vertical Mounted Fan Forced Unit Heater

Recommended Control Options, Control Accessory Options, & Control Accessories

MFG MODEL NUMBER	DISCONNECT SWITCH		THERMOSTAT		SUMMER FAN SWITCH		THERMOSTAT & SUMMER FAN SWITCH WALL MOUNTED	STRATIFICATION THERMOSTAT	
	1 Ø	3 Ø	IN-BUILT	WALL MOUNTED	IN-BUILT	WALL MOUNTED		IN-BUILT	WALL MOUNTED
F1F5103N	DCS 202	NA	T5100	ET5SS	FS5101	FSW5111	NA	TC5103	TC1602
HF1B5103N									
F2F5103N	NA	DCS 403	T5102	TW 1512	FS5101	FSW5111	NA	TC5103	TC1602
HF2B5103N	DCS 202	NA	T5100	ET 5SS					
G1G5103N	DCS 202	NA	T5100	ET5SS	FS5102	FSW5112	TFS5101	NA	TC5102
P3P5103CA1N	NA	DCS 403		RK120EAA					
F1F5105N	DCS 403	NA	T5102	TW 1512	FS5101	FSW5111	NA	TC5103	TC1602
HF1B5105N									
F2F5105N	NA	DCS 403	T5100	ET5SS	FS5101	FSW5111	NA	TC5103	TC1602
HF2B5105N	DCS 403	NA	T5102	TW 1512					
G1G5105N	DCS 403	NA	T5100	S2025	FS5102	FSW5112	TFS5101	NA	TC5102
P3P5105CA1N	NA	DCS 403		RK120EAA					
F2F5107CA1L	DCS 403	NA	T5100	RK120EAA	FS5101	FSW5111	TFS5101	TC5103	TC1602
HF2B 5107CA1L	NA	DCS 403							
G1G5107CA1L	DCS 403	NA	T5100	RK120EAA	FS5102	FSW5112	TFS5101	NA	TC5102
P3P5107CA1L	NA	DCS 403							
F2F5110CA1L	DCS 603	NA	T5100	RK120EAA	FS5101	FSW5111	TFS5101	TC5103	TC1602
HF2B5110CA1L	NA	DCS 403							
G1G5110CA1N	DCS 603	NA	T5100	RK120EAA	FS5101	FSW5111	TFS5101	NA	TC5103
P3P5110CA1N	NA	DCS 403							
F3F5115CA1L	DCS 603	NA	T5100	RK120EAA	FS5102	FSW5112	TFS5101	NA	TC5103
HF3B5115CA1L	NA	DCS 403							
P3P5115CA1L	DCS 603	NA	T5100	RK120EAA	FS5101	FSW5111	TFS5101	NA	TC5103
HF3B5120CA1L	NA	DCS 403							
P3P5120CA1N	DCS 603	NA	T5100	RK120EAA	FS5102	FSW5112	TFS5101	NA	TC5103
F3F5125CA1L	NA	DCS 403							
HF3B5125CA1L	DCS 1003	NA	T5100	TW123	FS5101	FSW5111	TFS5101	NA	TC5103
P3P5125CA1N	NA	DCS 403							
F3F5130CA1L	DCS 603	NA	T5100	TW123	FS5102	FSW5112	TFS5101	NA	TC5103
HF3B5130CA1L	NA	DCS 1003							
P3P5130CA1N	DCS 603	NA	T5100	TW123	FS5101	FSW5111	TFS5101	NA	TC5103
F3F5140CA1L	NA	DCS 603							
HF3B5140CA1L	DCS 603	NA	T5100	TW123	FS5102	FSW5112	TFS5101	NA	TC5103
P3P5140CA1N	NA	DCS 603							
F3F5150CA1L	NA	DCS 603	T5100	TW123	FS5101	FSW5111	TFS5101	NA	TC5103
HF3B5150CA1L	DCS 603	NA							
P3P5150CA1N	DCS 1003	NA	T5100	TW123	FS5102	FSW5112	TFS5101	TC5103	TC1602

CONTROL ACCESSORY OPTIONS - FIELD INSTALLED IN HEATER			
MFG CATALOG NUMBER	MFG MODEL NUMBER	DESCRIPTION	LIST
POWER DISCONNECT SWITCH*			
07171502	DCS202 / 5100	20 AMP; 0-16 Amps	146
07171602	DCS403 / 5100	40 AMP; 16.1-32 Amps	350
07171702	DCS603 / 5100	60 AMP; 32.1-48 Amps	479
07171802	DCS1003 / 5100	100 AMP; 48.1-80 Amps	538
*Disconnect must be rated at 80% of total amload.			
LINE VOLTAGE THERMOSTAT			
06927702	T5100	SPST; LINE DUTY 25 AMP, 120-277V, (40-100 °F)	132
06927802	T5102	DPST; LINE DUTY 25 AMP 120-277V 25 AMP, 120-277V, (60-120 °F)	179
LOW VOLTAGE THERMOSTAT (ALL CA1 MODELS) (45 - 90 °F)			
06927702	T5100	SPST; LOW VOLT/PILOT DUTY; 125VA; (3.3-20 KW UNITS)	132
06927902	T5122	2-STAGE; LOW VOLT; 125VA; (25-50 KW UNITS)	195
STRATIFICATION THERMOSTAT			
06928002	TC5102	SPST; LOW VOLT/PILOT DUTY (W/RELAY) ; 70-130°	200
06928102	TC5103	SPST; LINE DUTY; AMP 120-240V; 70-130°	141
SUMMER FAN SWITCH			
06928202	FS5101	SPST; LINE VOLT ;120-277V	76
06928302	FS5102	SPST; LINE VOLT ; 480-600V	109

CONTROL ACCESSORIES - REMOTE WALL MOUNTED			
MFG CATALOG NUMBER	MFG MODEL NUMBER	DESCRIPTION	LIST
LINE VOLTAGE THERMOSTAT			
05029102	S2025H10AA**	SP; 25 Amp; 120-277V; 50-90°F	55
05387802	ET5SS**	SP; 22 Amp; 120-277V; 50-90°F	30
06910902	TW1512*	DPST; 25 AMP; 120-277V; 50-90°F	209
LOW VOLTAGE THERMOSTAT (ALL CA1 MODELS)			
02600002	RK120EAA	24VAC or MV; 50°-90°F	20
06911102	TW123	2-STAGE; (25 - 50 KW UNITS); 40-90°F	224
STRATIFICATION THERMOSTAT			
06911002	TC1602	SPST; LINE VOLT; 120-277V; 70-140°	225
SUMMER FAN SWITCH			
06926202	FSW5111	SPST; LINE VOLT; 120-277V	94
06926302	FSW5112	SPST; LOW VOLT; (W/RELAY)	202
LOW VOLTAGE THERMOSTAT & SUMMER FAN SWITCH(W/RELAY) (CA1 MODELS)			
06926402	TFS5101	SPST; LOW VOLT; 50-90°	213
06926502	TFS5102	2-STAGE; LOW VOLT; 50-90°	427

**Any SPST thermostat of sufficient amperage may be substituted.
 *Use DPST double line break thermostat for 3-phase line voltage control in non "C" models.

5100 Series Horizontal or Vertical Mounted Fan Forced Unit Heater

Available With Setback On Demand (SD) Thermostat Factory Installed



5100 SD Features

- 24-Volt Control
- Factory pre-programmed - just set your setback temperature in the field
- Setback feature allows up to 12 degree setback with easy-to-use adjustable slide switch
- Occupancy sensor defaults to economy mode after one hour, sensor has a 94 degree angular range and a 16' linear range.
- Temperature range of 50-90 degrees
- Up to two stage operation on 5103-5150 Series and up to four stages on 5160-51100 Series
- 65-second delay between stages
- Add "SD" as suffix to heater model number for factory built in option - add \$437 to list



5100 Series 60 KW - 100 KW Suspended Fan Forced Unit Heater

Mounting Brackets and Accessories



Mounting Brackets				
MFG CATALOG NUMBER	MFG MODEL NUMBER	KW	DESCRIPTION	LIST
07220002	A5175	60 To 70	Wall/Ceiling Bracket	207
07220102	A51100	80 to 100		220
07220302	B5175	60 to 70	Heater Bracket	90
07220402	B51100	80 to 100		111
07220202	V51100	60 to 100	Vertical Bracket	340
07220502	DS5175	60 to 70	Dust Shield	54
07220602	DS51100	80 to 100		62
07220902	OFG 5175	60 to 70	Fan Guard	85
07221002	OFG 51100	80 to 100		106



Dimensions

KW	Dimensions (Inches)			WT. (LBS)
	H	W	D	
60-70	35 ½	30 ½	14 ½	141
80-100	39 ½	37 ¾	18 ½	202

Features & Specifications

CONSTRUCTION:

Heavy gauge steel cabinet with powder coated finish and control compartment housing a master terminal board. The control compartment allows for access through a hinged and latched door, simplifying wiring, installation, and maintenance. Made in U.S.A

HEATING ELEMENT:

The heating element is a copper clad steel sheath element with continuously brazed steel fins formed to allow side draw through air flow.

OVERHEAT PROTECTION:

All units come equipped with manual reset type limit controls to de-energize the heater should an over-temperature situation occur.

FAN & MOTOR:

Single speed, single phase permanently lubricated, thermally protected motors with ball bearings. The fan override purges the unit of residual heat at shutdown.

FIELD INSTALLED OPTIONS:

Summer fan switch to operate the fan only, and a heat stratification thermostat for high bay areas.

HEATER STAGING:

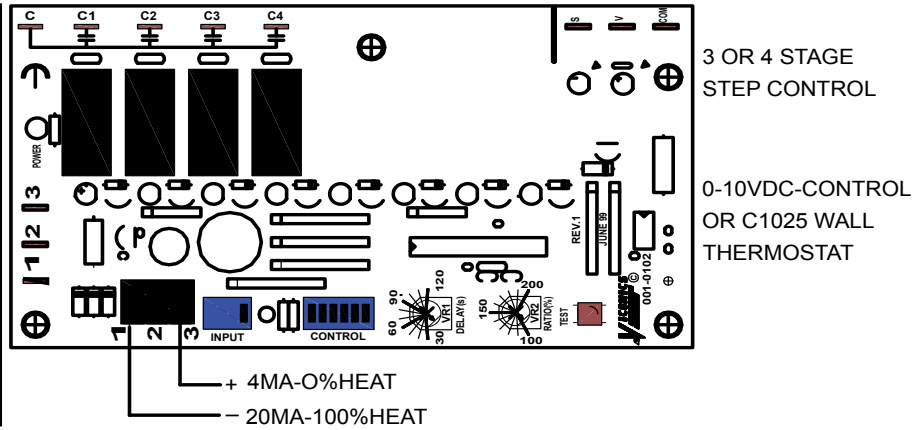
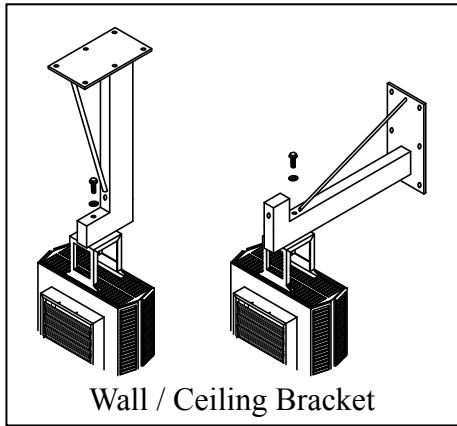
60 KW and 70 KW are three stage; 80 KW, 90 KW, & 100 KW are four stage.

SC5100 FACTORY INSTALLED ELECTRONIC STEP CONTROLLER:

The optional factory installed step controller is a first on last off sequencer that will cycle the unit heater stages through an optional wall thermostat. Additionally, the step controller can be controlled by any building management system with 4 to 20 MA or 0 - 10 VDC field supplied control signal.

5100 Series 60 KW - 100 KW Suspended Fan Forced Unit Heater

Optional Factory Installed Electronic Step Controller



Electrical Data

MFG CATALOG NUMBER	MFG MODEL NUMBER	KW	BTU/HR (x 1000)	VOLTS	PHASE	CONTROL VOLTAGE	AMPS / PHASE	BRANCH CIRCUIT PROTECTION SIZE	LIST
07213402	F3F5160CA1	60	204.7	208	3	24	166.7	225	8632
07213502	HF3B5160CA1	60/45	204.7/153.6	240/208			144.6/125	200/175	
07213602	P3P5160CA1	60	204.7	480			72.3	100	
07214202	F3F5170CA1	70	238.9	208	3	24	194.4	250	8998
07214302	HF3B5170CA1	70/52.5	238.9/179.2	240/208			168.7/145.8	225/200	
07214402	P3P5170CA1	70	238.9	480			84.3	110	
07217002	HF3B5180CA1	80/60	273/204.7	240/208	3	24	192.8/166.7	250/225	10517
07217102	P3P5180CA1	80	273	480			96.3	125	
07217602	HF3B5190CA1	90/67.5	307.1/230.4	240/208			216.9/187.5	300/250	
07217702	P3P5190CA1	90	307.1	480	3	24	108.4	150	10941
07218202	HF3B51100CA1	100/75	341.3/256	240/208			241/208.3	350/300	
07218302	P3P51100CA1	100	341.3	480			120.4	175	

Air Delivery Data

MFG CATALOG NUMBER	MFG MODEL NUMBER	CFM at OUTLET	FPM at OUTLET	TEMP RISE °F	HP	MOTOR RPM	AIR THROW	MAX MOUNTING	
								Horizontal	Vertical
07213402	F3F5160CA1	3400	1485	60	1/3	1100	50'	18'	31'
07213502	HF3B5160CA1			60/45					
07213602	P3P5160CA1			60					
07214202	F3F5170CA1			70					
07214302	HF3B5170CA1			70/53					
07214402	P3P5170CA1			70					
07217002	HF3B5180CA1	5000	1529	55/41	3/4	1100	65'	22'	40'
07217102	P3P5180CA1			55					
07217602	HF3B5190CA1			61/46					
07217702	P3P5190CA1			61					
07218202	HF3B51100CA1			68/51					
07218302	P3P51100CA1			68					

Recommended Control Options

MFG CATALOG NUMBER	MFG MODEL NUMBER	STEP CONTROLLER		REMOTE THERMOSTAT		SUMMER FAN SWITCH				STRATIFICATION THERMOSTAT				
		CATALOG/ MODEL	LIST	CATALOG/ MODEL	LIST	Wall		Built-In		Wall		Built-In		
						CATALOG/ MODEL	LIST	CATALOG/ MODEL	LIST	CATALOG/ MODEL	LIST	CATALOG/ MODEL	LIST	
07213402	F3F5160CA1	05232302 SC5100	708	44046001 C1025	206	06926302 FSW5112	202	FS5101	76	06926402 TFS5101	213	06928002 TCS102	200	
07213502	HF3B5160CA1							FS5101						
07213602	P3P5160CA1							FS5102						109
07214202	F3F5170CA1							FS5101						76
07214302	HF3B5170CA1							FS5101						76
07214402	P3P5170CA1							FS5102						109
07217002	HF3B5180CA1							FS5101						76
07217102	P3P5180CA1							FS5102						109
07217602	HF3B5190CA1							FS5101						76
07217702	P3P5190CA1							FS5102						109
07218202	HF3B51100CA1							FS5101						76
07218302	P3P51100CA1							FS5102						109

Note: Products listed in this section are custom built and subject to 100% cancellation/restocking charges.

2600 Series Downflow Unit Heater

General Description & Diffuser Information

CONSTRUCTION:

- 16 gauge steel cabinet with epoxy powder coated finish and control compartment with a hinged and latched access door.
- OSHA guards standard with all models.
- Made in U.S.A

HEATING ELEMENT:

- Corrosion resistant element with steel sheath and steel spiral fins.

OVERHEAT PROTECTION:

- All units come equipped with manual reset limit controls to de-energize the heater should an over-temperature situation occur.

FAN and MOTOR:

- Totally enclosed, 1 speed, 1 phase permanently lubricated, thermally protected motors with unit bearings on 3KW - 20KW models. Totally enclosed, 2 speed, 1 phase permanently lubricated, thermally protected motors with sleeve bearings on 24KW - 50KW models.
- Axial flow fan blade - 1570 RPM max.
- All models equipped with fan purge which allows fan to operate after elements are de-energized to purge residual heat.

TEMPERATURE CONTROLS:

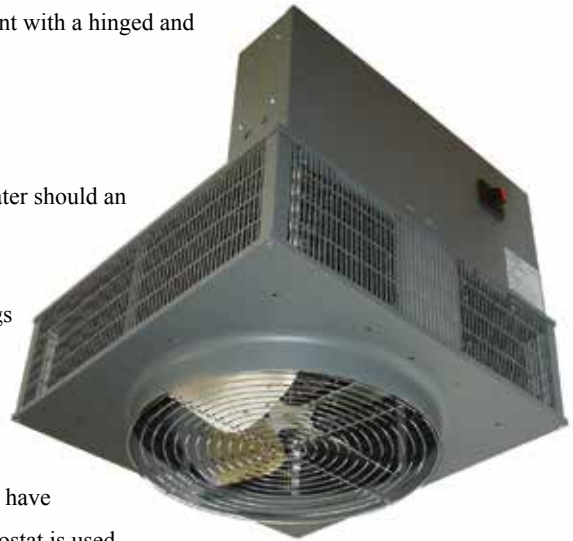
- 208V, 240V, 277V and 480V units have In-Built 24 Volt transformer for low voltage remote thermostat application.
- 600V units have In-Built 240V control on 5-20 KW models, 25-50 KW models have 24V control.
- 25 KW - 50 KW models may operate as 2 stage heaters if 2 stage remote thermostat is used.

DISCONNECT SWITCH:

- All models equipped with In-Built disconnect except F3F2640, F3F2630CA1, F3F2650, H3H2650, and H3H2640CA1.

INSTALLATION:

- Unit can be mounted using optional mounting bracket or field constructed angle iron bracket.
- Not recommended for mounting with threaded rod or chain.



2600 Series shown with standard wire guard. Diffusers are field installed.

Diffuser Descriptions	Standard Heater		Radial Louvered Cone Diffuser				Linear Louvered Diffuser				Anemostat Diffuser															
	<table border="1"> <thead> <tr> <th colspan="3">Dimensions**</th> </tr> <tr> <th>KW</th> <th>B</th> <th>A</th> </tr> </thead> <tbody> <tr> <td>5-20</td> <td>20 1/2"</td> <td>15"</td> </tr> <tr> <td>25-50</td> <td>27"</td> <td>21 1/2"</td> </tr> </tbody> </table>		Dimensions**			KW	B	A	5-20	20 1/2"	15"	25-50	27"	21 1/2"												
	Dimensions**																									
KW	B	A																								
5-20	20 1/2"	15"																								
25-50	27"	21 1/2"																								
<p>For general distribution. Choice of other diffusers may be added after installation if required.</p> <p>O.S.H.A guard for fan blade D1604 for 2605-2620, & D1614 for 2625-2650 Do not use with other diffusers.</p>		<p>With vanes vertical, straightens air for higher mounting. Closed position for broad horizontal coverage. Adjustable for intermediate requirements.</p>				<p>Affords more precise directional throw where heaters cannot be mounted directly over area to be heated or for heating long narrow areas.</p>				<p>Blends room air with heated air for widespread distribution without excessive drafts.</p>																
		VERTICAL		45 DEGREES OPEN																						
MODEL	MAX MOUNTING HEIGHT*	D (ft.)	MAX MOUNTING HEIGHT	D (ft.)	MAX MOUNTING HEIGHT	D (ft.)	MAX MOUNTING HEIGHT	W (ft.)	L (ft.)	MAX MOUNTING HEIGHT	D (ft.)	MAX MOUNTING HEIGHT	D (ft.)	MAX MOUNTING HEIGHT	D (ft.)											
2605	10	25	15	25	8	30	10	10	40	9	25	9	25	9	25											
2607	10	25	15	25	8	30	10	10	40	9	25	9	25	9	25											
2610	22	40	26	36	15	44	22	14	54	20	38	20	38	20	38											
2615	20	44	24	38	14	46	20	14	60	18	40	18	40	18	40											
2620	18	48	22	40	13	50	18	15	66	16	42	16	42	16	42											
2625	32	48	38	42	24	70	34	30	80	30	60	30	60	30	60											
2630	30	60	36	50	22	74	32	34	80	28	64	28	64	28	64											
2640	26	64	32	50	20	78	30	36	90	26	67	26	67	26	67											
2650	24	68	28	50	18	82	28	40	100	24	70	24	70	24	70											

*Minimum mounting height 6 feet.

**Dimensions are for all heater models without a diffuser option. Adding a diffuser will change the vertical ("A") dimension of heater. All mounting distances are in feet. All diagrams show optional mounting bracket.

2600 Series Downflow Unit Heater

Product Specifications

SPECIFICATIONS: The contractor shall furnish and install the 2600 Series electric vertical discharge unit heaters of the size, capacity and voltage specified. Heaters shall be installed according to the manufacturer's recommendations and applicable national and local codes.

ELEMENTS: Elements shall consist of Nickel Chromium alloy resistance wire embedded and completely surrounded in Magnesium Oxide, enclosed and swagged into corrosion resistant sheaths. Corrosion resistant steel fins shall be permanently attached to the sheaths to provide maximum heat transfer to the air stream.

MOTORS: Motors shall be single phase, resilient mounted, totally enclosed, industrial rated with an automatic reset thermal overload protective device. Motors on heaters up to 20 KW capacity shall be permanently lubricated shaded pole type. Over 20 KW, motors shall be permanent split capacitor type. Motors shall be mounted out of the main air stream in such a manner as to allow ambient air to be drawn over the motor to reduce motor temperature. Motor shall be separately removable from beneath the heater without removing the entire heater from mounting bracket.

FAN BLADES: Fan blades shall be heavy-duty individually balanced axial flow type. Fan speed shall not exceed 1570 RPM.

THERMAL OVERLOAD PROTECTION: All heaters shall be equipped with a manual reset thermal cutout which disconnects elements and motor in the event normal operating temperatures are exceeded.

WIRING: Heaters shall be designed for a single supply circuit with elements, motor and control circuits subdivided and fused to conform with the latest National Electric Code and OSHA requirements. All three phase heaters shall have balanced phases.

CONTROLS: Heaters shall be controlled by a low voltage wall mounted thermostat. All heaters 25 KW and larger shall be wired for 2 stage operation. 5 KW through 20 KW units are single stage. All heaters shall be equipped with a fan safety device that causes fan to operate after elements are de-energized to purge unit of residual heat.

Standard Models

MFG CATALOG NUMBER	MFG MODEL NUMBER	KW	BTUs	VOLTS	PH	AMPS	CONTROL VOLTS	TEMP RISE °F	CFM	WT (LBS)	LIST
07157502	F1F2605CA1	5	17065	208	1	24.03	24	34	490	75	1198
07157602	H1H2605CA1			240		20.83					
07157702	G1G2605CA1			277		18.05					
07157802	F3F2605CA1			208	3	13.89					
07157902	H3H2605CA1			240		12.04					
07158002	P3P2605CA1			480		6.02					
07158202	F1F2607CA1	7.5	25598	208	1	36.05	24	45	560	75	1541
07158302	H1H2607CA1			240		31.25					
07158402	G1G2607CA1			277		27.07					
07158502	F3F2607CA1			208	3	20.84					
07158602	H3H2607CA1			240		18.06					
07158702	P3P2607CA1			480		9.03					
07158902	F1F2610CA1	10	34130	208	1	48.07	24	26	1200	75	2110
07159002	H1H2610CA1			240		41.66					
07159102	G1G2610CA1			277		36.1					
07159202	F3F2610CA1			208	3	27.79					
07159302	H3H2610CA1			240		24.08					
07159402	P3P2610CA1			480		12.04					
07159602	F3F2615CA1	15	51195	208	3	41.68	24	39	1200	75	2413
07159702	H3H2615CA1			240		36.12					2716
07159802	P3P2615CA1			480		18.06					2792
07160002	H3H2620CA1	19.4	68260	240	3	48.16	24	52	1200	75	2792
07160102	P3P2620CA1	20		480		24.08					
07175102	F3F2625CA1	25	85325	208	3	69.48	24	24	3300	175	3713
07175202	H3H2625CA1			240		60.21					
07175302	P3P2625CA1			480		30.1					
07175502	F3F2630CA1*	30	102390	208	3	83.37	24	29	3300	175	4054
07175602	H3H2630CA1			240		72.25					
07175702	P3P2630CA1			480		36.12					
07175902	F3F2640CA1*	40	136520	208	3	111.17	24	38	3300	175	5383
07176002	H3H2640CA1*			240		96.33					
07176102	P3P2640CA1			480		48.16					
07176302	F3F2650CA1*	50	170650	208	3	138.96	24	48	3300	175	6140
07176402	H3H2650CA1*			240		120.42					
07176502	P3P2650CA1			480		60.21					

*Disconnect not available

2600 Series Downflow Unit Heater

Field Installed Accessories

MFG CATALOG NUMBER	MFG MODEL NUMBER	DESCRIPTION	LIST	MFG CATALOG NUMBER	MFG MODEL NUMBER	DESCRIPTION	LIST
06926302	FSW5112	Summer Fan Switch	202	07177902	D1602	Linear Louvered Diffuser 5-20 KW Models	435
06911002	TC1602	Wall Mounted Stratification Thermostat Range - (40 °F - 120 °F)	210	07178002	D1612	Linear Louvered Diffuser 25-50 KW Models	647
07177502	A1600	Ceiling Mount Bracket 5-20 KW Models	130	07178102	D1600	Radial Louvered Cone Diffuser 5-20 KW Models	482
07177602	A1601	Ceiling Mount Bracket 25-50 KW Models	146	07178202	D1610	Radial Louvered Cone Diffuser 25-50 KW Models	562
				07178302	D1603	Anemostat Diffuser 5-20 KW Models	435
				07178402	D1613	Anemostat Diffuser 25-50 KW Models	647

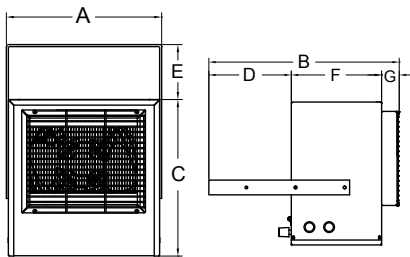
5700 Series Confined Space Plenum Rated Heater



Features

- Easily fits between joists for typical installation.
 - Zero clearance for wall and ceiling mounting as well as floor mounting with appropriate inlet and outlet clearances.
 - Bracket standard or can be mounted by 3/8" threaded rod (field supplied)
 - Automatic reset thermal limit for safety
 - 1 Phase model wattage field changeable from 1874 to 5000 Watts.
 - 24V control circuit on three phase models with hydraulic thermostat
 - Made in U.S.A
- Conforms to ANSI/UL 1995
 Certified to CAN/CSA C 22.2 No.236-11

Product Dimensions



A	B	C	D	E	F	G
14.4"	19.4"	14.5"	8.4"	5.1"	9.2"	1.8"

Standard Models

MFG CATALOG NUMBER	MFG MODEL NUMBER	WATTS	BTUs	VOLTS	PHASE	AMPS	TEMP RISE	TEMP RANGE	AIR THROW	CFM	WT. (LBS)	LIST
07262402	HF5705T	5000	17065	240	1	21	57 °F	(40 °F-120 °F)	16'	275	32	820
		4165	14215			17	48 °F					
		3332	11365			14	38 °F					
		2500	8533			10	29 °F					
		3750	12798	208	1	18	43 °F	(40 °F-120 °F)	16'	275	32	
		3123	10659			15	36 °F					
2500	8553	12	29 °F									
1874	6396	9	21 °F									
07262502	H3H5705T	3750	12799	208	3	10.4	57 °F	(40 °F-110 °F)	16'	375	32	883
		5000	17065	240	3	12	57 °F		16'	275	32	
07262602	P3P5705T	5000	17065	480	3	6	57 °F	(40 °F-110 °F)	16'	275	32	
07073602	DCS-MT303	Optional Field Installed Disconnect Switch, 30 Amp @ 600Volts										75

5600 Series Multiple Wattage Fan Forced Unit Heater

Product Specifications

CASING & CONSTRUCTION:

Fabricated of die formed, heavy gauge steel and finished with two tone, brown and beige, durable powder coated paint. Supply air is drawn through the rear heavy duty expanded steel inlet grill. Heated air is discharged through front adjustable louvers, which are spring loaded for individual adjustment. Made in U.S.A.

ELEMENT: Heavy-duty block fin element design. The multiple tap electric connection design allows field conversion to eight wattage settings at 208/240-Volt single phase or 240/480 Volt, 3 phase. Units are available on special order with a specific wattage/voltage setting.

MOTOR: Motor shall be totally enclosed, permanently lubricated, all angle industrial rated with thermal overload protection.

WIRING: Wiring to terminal block adjacent to incoming knockout in accordance with NEC and local codes.

THERMAL OVERLOAD: All heaters shall be equipped with an automatic reset thermal cutout to shut down the element and motor circuits if unsafe operating temperatures are exceeded.

CONTROLS: The heater shall have a heavy-duty hydraulic thermostat factory installed and wired. All controls and wiring shall be in a large wiring compartment with hinged door for easy access. An optional disconnect switch shall be available for field installation.

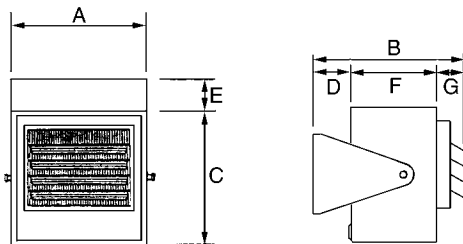
MOUNTING: Heaters are standard with a three position-mounting bracket for wall, ceiling or workbench. Heaters can be mounted for horizontal or vertical discharge. Note: Minimum mounting height is 6 feet, and minimum distance from side of heater to nearest wall is 6 inches. Note: Approved for residential applications.



Front view



Product Dimensions



A	B	C	D	E	F	G
14"	12 11/16"	14"	1 1/16"	1 1/16"	9"	2 3/4"

Standard Models

MFG CATALOG NUMBER	MFG MODEL NUMBER	WATTS	BTUs	VOLTS	PHASE	AMPS	TEMP RISE	AIR THROW	CFM	WT. (LBS)	LIST
07072802	HF5605T	5000	17065	240	1	21	57 °F	16'	275	32	820
		4165	14215			17	48 °F				
		3332	11365			14	38 °F				
		2500	8533	10	29 °F						
		3750	12798	208	1	18	43 °F	16'	275	32	
		3123	10659			15	36 °F				
2500	8553	12	29 °F								
07072902	H3H5605T	1874	6396	9	21 °F	10.4	57 °F	16'	375	32	883
07073002		P3P5605T	5000	17065	240		3	12	57 °F	16'	
07073602	DCS-MT303	Optional Field Installed Disconnect Switch, 30 Amp @ 600Volts									75
For 24V control on single phase models delete "T" suffix											159

6300 Series Multiple Angle Cabinet Unit Heater

Product Specifications



The electric cabinet unit heater is designed for mounting in any position, fully recessed, semi-recessed or surface mounted. All capacities, voltages, physical sizes, grille arrangements and options shall be as specified on the plans. All units must be field convertible to the following:

1. For control by a field supplied remote thermostat.
2. Load management control with an external dry switch.
When closed unit operates under control of either the internal or the external thermostat. When open, unit turns off.
3. Any grille arrangement.

CABINET & CONSTRUCTION: The cabinet shall be constructed of heavy duty 16 gauge Zinc coated steel. The heater shall have a removable front door for easy access to the control panel, elements, motor-blower assembly, filters and all internal components. The grill configuration must be easily field convertible to any air flow configuration (by removal of no more than four fasteners). The cabinet shall have a textured finish of two coats of powder coat epoxy and be suitable for use with optional kick space base. Made in U.S.A.

HEATING ELEMENTS: The heating elements shall be warranted for 1 year and shall be non-glowing design consisting of special high temperature resistance wire enclosed in an incoloy sheath to which steel fins are furnace brazed. The heating elements shall be located directly in front of the blower discharge air for uniform heating. They shall be mounted with a single anchor at one end to minimize effects of thermal expansion and contraction.

SAFETY CUTOFF: Thermal safety limits shall be built into the system to automatically shut off heater in event of overheating due to any cause. The safety cutouts shall be of two types:

- A. The primary limit shall be an automatic capillary type to sense the heat along the full length of the heating elements. It shall de-energize the heaters by opening the coil circuit on the heating contactors.
- B. The secondary limit shall be a manual reset thermal device to interrupt power to the heating elements.

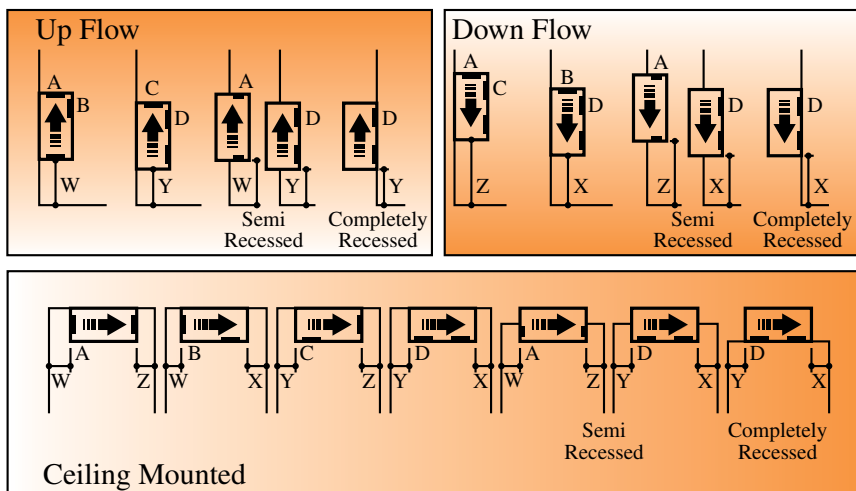
MOTOR AND BLOWER ASSEMBLY: The motors and blowers shall be direct drive and resiliently mounted on rigid heavy gauge frame for quiet operation and long life. The motor shall be two-speed, shaded pole type, rated for the voltage (480 to 600 Volts are single speed only). Each shall have built-in automatic reset overload protection and are life time lubricated. The motor shall be vented and mounted in the air stream to provide maximum cooling of the motor.

HIGH AND LOW HEAT RANGES: All units will be supplied as standard with a switch for selecting full heat at high fan speed or reduced heat at low fan speed (On 480 & 600 Volt units the switch changes the heat but not the fan speed).

OVER CURRENT PROTECTION: Circuit breakers shall be provided for branch circuit protection where required by NEC. Circuit breakers are optional on all other heaters.

TEMPERATURE CONTROL: Integral factory installed thermostat shall be tamper resistant, linear capillary type. Optional setback thermostat available.

Mounting Configurations



KEY: W = 6" minimum, X = 12" minimum, Y = 0" or greater, Z = 24" minimum

NOTE: Semi-recessed units are to be recessed at a maximum of 3 1/2" unless grill configuration is front in and front out.

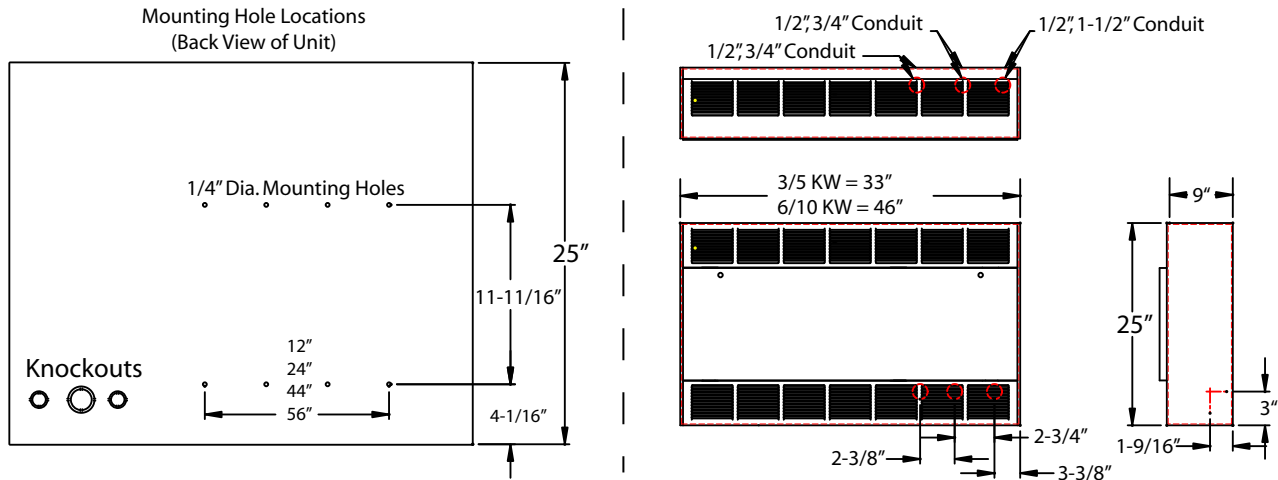
MOUNTING CLEARANCES: Proper clearances are indicated for each mounting configuration on all positions. Minimum clearance from side of unit to the wall is zero inches. Mounting inches are provided in the back of the cabinet, accessible through the blower compartment, if necessary, remove blower deck if additional mounting screws or bolts are desired. Blower deck may be slipped forward by loosening four screws at the front to provide access to mounting holes.

6300 Series Multiple Angle Cabinet Unit Heater

Product Features (2-24 KW; All Voltages)

- For commercial and institutional application such as stores, schools, offices, transportation terminals, churches, entranceways.
- Wall or ceiling mount; surface, semi-recessed or fully recessed.
- (8) air inlet and outlet configurations.
- Capacities from 2-24 KW with 230 to 1,000 CFM
- Motors are two speed, shaded pole, resilient mounted, direct drive. High/low heat and blower speed offer versatility.
- ETL Listed.
- Beige powder coated finish
- Choice of eight standard control options include unit or wall mounted 120 or 24V thermostats, with or without built-in control transformers, setback thermostat option
- Industrial type finned tubular elements.
- Easily removable fan and element decks for simplified maintenance.
- Full length thermal protection.
- Limited warranty-one year.
- Optional locking front cover

Product Dimensions



Stocked Models & Features

HEATER LENGTH	MFG CATALOG NUMBER	MFG MODEL NUMBER	HIGH				LOW				VOLTS	PHASE	WT. (LBS)	LIST
			KW	BTUs	AMPS	CFM	KW	BTU's	AMPS	CFM				
33"	06671402	6333D052033B30D0F	5	17065	25.0 / 17.6	250	3	10239	15.4 / 9.2	230	208	1-3*	99	3295
	06671502	6333D052433B30D0F			21.8 / 15.4				13.5 / 8.2		240	1-3*		
	06670802	6333D054833B30D0F			7.8				4.6		480	3		
46"	06671902	6346D102433B30D0F	10	34130	43.6 / 30.7	500	6	20478	26.9 / 16.2	460	240	1-3*	130	3717
	06672002	6346D104833B30D0F			15.4				8.1		480	3		
International Models														
33"	04736202	6333D053834B30D0F1	5	17065	7.6	250	3	10239	4.56	230	380	3	99	3295
	04736302	6333D054134B30D0F1			6.97				4.18		415			
46"	04736402	6346D103834B30D0F1	10	34130	15.2	500	6	20478	9.12	460	380	(4-Wire)	130	3717
	04736502	6346D104134B30D0F1			13.94				8.36		415			

*Factory wired for 3-phase, field convertible to 1-phase.

- 01 / 3 phase field convertible with 24 Volt control circuit.
- 0 Disconnect switch, dust filter, & high low operation.
- 0 Built-in thermostat and field convertible for remote thermostat.

Accessories

MFG CATALOG NUMBER	MFG MODEL NUMBER	SIZE	DESCRIPTION	LIST
DUCT COLLAR				
04415602	DC-33	33"	The same model is used for the inlet or outlet. If duct collars are required for both inlet & outlet then 2 must be ordered.	192
04415702	DC-46	46"		233
04415802	DC-66	66"		292
04415902	DC-79	79"		356
RECESSING TRIM FRAMES				
04537802	TF-33	33"	Recessing Trim Frames should be ordered to "trim-out" any recessed or semi-recessed installation.	174
04537902	TF-46	46"		195
04538002	TF-66	66"		244
04538102	TF-79	79"		268
Fresh Air Make-Up Intake Flange & Kickbase				
07715802	FAM33	33"		379
07715902	FAM46	46"		436
07716002	FAM66	66"		671
07716102	FAM79	79"		738
Kickbase (Pedestal) ONLY				
07715402	KB33	33"		151
07715502	KB46	46"		160
07715602	KB66	66"		193
07715702	KB79	79"		211

6300 Series Multiple Angle Cabinet Unit Heater



Locking Cover Option



SD Setback Thermostat Option

6300 SD Series Features

- Multi-stage operation-only using the heat you need, when you need it
- 65 second delay between stages
- Sensor has a 94 degree angular range and a 16' linear range
- 50-90 degree thermostat range
- Setback capability up to 12 degrees - field set. Achieves energy savings when area not occupied and heat not needed
- Purge cycle of 90 seconds allows residual heat to be exhausted from heater
- Factory pre-programmed for system type/voltage
- Easy steps to set thermostat and setback feature
- Occupancy sensor defaults to economy mode after one hour, up to 12 degree setback
- Sensor has a 94 degree angular range and a 16' linear range

LENGTH	KW		Elements per Heat Deck		CFM		1-PHASE UNITS - AMPS (HIGH)				3-PHASE UNITS - AMPS (HIGH)			LIST	
	High	Low	Left	Right	High	Low	208V	240V	277V	600V	208V	240V	480V		600V
													3-WIRE		
33"	2	1	2		250	230	10.6	9.3	8.12	3.8	9.2	8.1	4.1	3.3	2668
	3	2	3				15.4	13.5	11.7	5.5	9.2	8.1	4.1	3.4	2748
	4	2	4				20.2	16.7	15.3	7.2	13.4	11.8	6	6.22	2857
	5	3	5				25	21.8	19	8	17.6	15.4	7.8	5.5	2986
	6	3	6				29.9	26	22.6	10.5	17.6	15.4	7.8	6.3	3115
46"	4	2	2		500	460	21.1	18.6	16	7.46	18.7	16.2	8.1	6.5	3040
	6	4	3				30.8	26.9	23.1	10.79	18.4	16.2	8.1	6.5	3176
	8	4	4				40.4	35.2	30.5	14.12	26.7	23.4	11.7	9.4	3322
	10	6	5				50	43.6	37.7	17.5	35.1	30.7	15.4	12.3	3457
	12	6	6				59.6	51.9	44.9	20.8	35.1	30.7	15.4	12.3	3528
66"	6	3	2	2	750	690	31.8	27.9	24.1	11.3	27.6	24.3	12.3	9.8	3865
	9	6	3	3			46.2	40.4	35	16.3	27.6	24.3	12.3	9.9	4023
	12	6	4	4			60.6	52.9	45.8	21.3	40.1	35.2	17.7	15.6	4179
	15	9	5	5			75	65.4	56.7	25.5	52.6	46.1	23.1	15.7	4324
	18	9	6	6			89.4	77.9	67.5	31.3	52.6	46.1	23.1	18.5	4480
79"	8	4	2	2	1000	920	42.3	37.1	32	14.9	36.7	32.3	16.2	13	4324
	12	8	3	3			61.5	53.8	46.5	21.6	36.7	32.3	16.2	13	4418
	16	8	4	4			80.7	70.5	61	28.2	53.4	46.8	23.5	18.8	4587
	20	12	5	5			NA	87.1	75.4	34.9	70.1	61.4	30.7	24.6	4660
	24	12	6	6			NA	NA	89.8	41.6	70.1	61.4	30.7	24.6	4745

Note: Amps include motor Amp loads. Note: Please see page 60 for custom color availability - add 10% to net heater cost.
 Note: Products listed in this section are custom built and subject to 100% cancellation/restocking charges.

6300 Series Multiple Angle Cabinet Unit Heater

Custom Specified Models

HOW TO DESIGNATE A MODEL:

63	46	D	08	24	1	2	B3	S	D	O	F
Series Number	Cabinet Size 33=33" 46=46" 66=66" 79=79"	Air Flow Configuration A = Bottom in / Top out B = Bottom in / Front out C = Front in / Top out D = Front in / Front out	Element KW 2KW through 24KW See model chart for length and KW options.	Element Voltage 20 = 208V 24 = 240V 27 = 277V 41 = 415V 48 = 480V 57 = 600V	Phase 1 = Single Phase 3 = Three Phase	Number of Wires in Electrical Service 2 or 3	Control Options B3, B4, B5, B6 SD - Setback (see control options chart)	Summer Fan Switch S = Included O = Not Included	Disconnect Option C = Circuit Breaker D = Disconnect Switch O = None	Motor Fusing Option M = Required O = Not Required	Disposable Filter Option F = Required O = Not Required L - Locking Front Cover
Step 1	Step 2	Step 3	Step 4	Step 5	Step 6	Step 7	Step 8	Step 9	Step 10	Step 11	Step 12

Control Option (Step 8 on Model Designator)

SUFFIX	DESCRIPTION	LIST
B3	In-Built 1-Stage Stat and Relays which are operated by an internal 24 Volt source. (40 °F-110 °F)	86
B4*	In-Built 1-Stage Stat and Relays which are operated by an internal 120 Volt source. (40 °F-110 °F)	351
B5	In-Built 2-Stage Stat & Relays which are operated by an internal 24 Volt source. (40 °F-110 °F)	86
B6*	In-Built 2-Stage Stat and Relays which are operated by an internal 120 Volt source. (40 °F-110 °F)	351
SD	Setback Thermostat	695

*Motor fusing included for units with 120V internal or external control source.

Disconnect Option "C" Circuit Breaker (Step 10 on Model Designator)

KW	SINGLE PHASE				THREE PHASE			
	208V	240V	277V	600V	208V	340V	480V	600V
2	252	252	319	936	425	417	867	936
3	252	252	319	936	425	417	867	936
4	252	252	319	936	425	417	867	936
5	252	252	319	936	425	417	867	936
6	252	252	319	936	425	417	867	936
8	252	252	319	936	425	417	867	936
10	501	501	319	936	501	501	867	936
12	501	501	319	936	501	501	867	936
15	501	501	501	936	841	602	867	936
16	501	501	501	936	841	602	867	936
18	501	501	501	936	841	602	867	936
20	N/A	501	501	936	841	777	867	936
24	N/A	N/A	501	936	841	777	867	936

Circuit breakers shown in shaded areas are required by NEC because unit exceeds 48 Amps, all others listed are optional unless otherwise stated.

Disconnect Option "D" Disconnect Switch (Step 10 on Model Designator)

KW	SINGLE PHASE				THREE PHASE			
	208V	240V	277V	600V	208V	340V	480V	600V
2	195	195	195	250	250	250	240	250
3	195	195	195	250	250	250	240	250
4	195	195	195	250	250	250	240	250
5	195	195	195	250	250	250	240	250
6	240	195	195	250	250	250	240	250
8	270	240	240	250	250	250	240	250
10	N/A	313	240	250	282	250	240	250
12	N/A	N/A	313	250	282	285	240	250
15	N/A	N/A	N/A	250	N/A	285	240	250
16	N/A	N/A	N/A	250	N/A	391	240	250
18	N/A	N/A	N/A	250	N/A	391	240	250
20	N/A	N/A	N/A	250	N/A	N/A	313	250
24	N/A	N/A	N/A	250	N/A	N/A	313	250

Disconnect option is not available on heaters with circuit breakers.

Fan Switch & Motor Fusing (Steps 9 & 11 on Model Designator)

SUFFIX	DESCRIPTION	ADDER
S	Summer Fan Switch	53
M	Motor Fusing (when not provided by control option)	97

Filter Option (Step 12 on Model Designator)

SUFFIX	SIZE	Qty. REQ'D	FILTER TYPE	LIST
F	33"	1	Replaceable	25
	46"	1		29
	66"	2		51
	79"	2		57
W	33"	1	Washable	64
	46"	1		65
	66"	2		129
	79"	2		130
L	Locking Cover			79

8500 Series Commercial Slope Top Wall Convector



- Front In/Top Out or Bottom In/Top Out air pattern.
- 16 gauge steel housing powder coated with beige finish.
- Tubular pre-wired wireway with 40 Amp capacity.
- Connection boxes for right or left hand wiring with combination 1/2" - 3/4" knockouts at back and bottom.
- Stainless steel element with Aluminum fins.
- Linear limit type thermal overload with automatic reset.
- Limited by max amp draw of 25 Amps (with no controls).
- Made in U.S.A.

HOW TO DESIGNATE A MODEL:

85	2	5	125	H	B	DST1
Series Number	Cabinet Size 1=10"H x 3"D 2=14"H x 5"D 3=20"H x 5"D	Unit Length (feet) 2, 3, 4, 5, 6, 7, 8, 9, 0 (enter 0 for 10')	Watts per Foot Selectable in 1 watt increments up to max per model series 8510= 250 max 8520=500 max 8530=750 max	Voltage E = 120V F = 208V G = 277V H=240V	Air Flow B=Bottom in F=Front in	Factory Installed Options blank=none T1 or T2=Thermostat R1, R2, or R9=Relay DS=Disconnect (see control option chart)
Step 1	Step 2	Step 3	Step 4	Step 5	Step 6	Step 7

- Pencil proof louver design.
- Custom colors available, consult factory.
Note: Not for residential applications.
Note: Disconnect limits amperage to 20 Amps.

Product Specifications

CABINET:

Rugged 16 gauge front cover with discharge louvers in sloped top design. Pencil proof louver design for sloped outlet and front inlet grill. The finish shall be durable powder coated paint. Air flow available as bottom in - top out, or front in - top out.

ELEMENT:

All steel high mass element construction with Nickel-Chromium resistance wire embedded in compacted efficient dielectric to ensure proper heat transfer. Aluminum fins mechanically bonded to steel tube allows for increased surface area and even heat transfer.

LIMIT CONTROLS:

Automatic reset hydraulic thermal overload covers full length of heating element and shuts down heater when safe operating temperatures are exceeded.

WIRING:

Connection boxes in either end with 1/2 inch to 3/4 inch knockouts at back and bottom. Tubular prewired wire way with 40 Amp capacity.

CONTROLS:

Optional built in tamper resistant thermostat and disconnect.

MOUNTING:

Heater shall be surface mounted to wall or mullion. Bottom inlet units must be mounted a minimum of 4 inches above finished floor front inlet.

Voltage & Wattage Specification

Voltage	Standard Wattages Per Foot	Heater Lengths
120-277	100,125,150,165,187,200,250	2' through 10'

8500 Series Commercial Slope Top Wall Convector

Standard Models

HEATER LENGTH	WATTS per FOOT	8510 SERIES		8520 SERIES		8530 SERIES	
		3" Depth x 10" Height Max watts per foot = 250		5" Depth x 14" Height Max watts per foot = 500		5" Depth x 20" Height Max watts per foot = 750	
		MFG MODEL NUMBER	LIST	MFG MODEL NUMBER	LIST	MFG MODEL NUMBER	LIST
2'	100-250	8512	548	8522	600	8532	731
	333-750		N/A		665		803
3'	100-250	8513	629	8523	693	8533	836
	333-750		N/A		762		919
4'	100-250	8514	726	8524	800	8534	964
	333-750		N/A		870		1063
5'	100-250	8515	800	8525	878	8535	1063
	333-750		N/A		965		1167
6'	100-250	8516	876	8526	963	8536	1167
	333-750		N/A		1060		1283
7'	100-250	8517	963	8527	1059	8537	1283
	333-750		N/A		1165		1412
8'	100-250	8518	1059	8528	1165	8538	1412
	333-750		N/A		1283		1553
9'	100-250	8519	1165	8529	1283	8539	1553
	333-750		N/A		1411		1704
10'	100-250	8510	1283	8520	1411	8530	1704
	333-750		N/A		1550		1873

Note: All models qualify for international use

Note: Products listed in this section are custom built and subject to 100% cancellation/restocking charges.

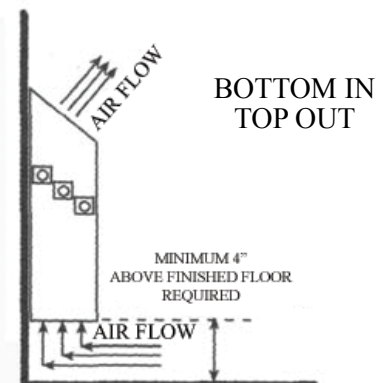
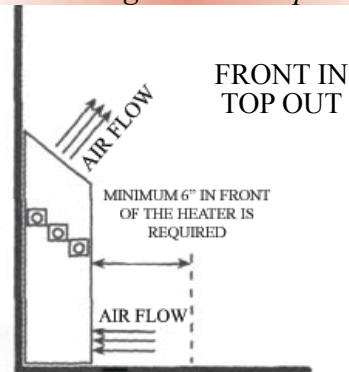
In-Built Control Options

SUFFIX	DESCRIPTION	LIST
T1	In-Built Tamper Proof, Single Pole, Bimetal Thermostat (0°-110°F temp. range, 25 Amp)	112
T2	In-Built Tamper Proof, Double Pole, Bimetal Thermostat (0°-110°F temp. range, 25 Amp)	144
DS	Double Pole Disconnect Switch, 20 Amp	163

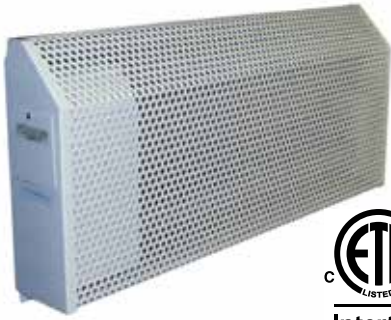
Note: Due to size limitations, 8510 series convectors can only have thermostats as In-Built control options.

SUFFIX	DESCRIPTION	LIST
R1	DPST Relay, 30 Amps, up to 277V, 120V coil	158
R2	SPST Relay, 18 Amps @ 277V (max), 24V coil	158
R9	24V Transformer and SPST Relay 22 Amps @ 240V, 18 Amps @ 277V (max), 24V coil (cannot be used in conjunction with T2 option)	173

Mounting/Air Flow Options



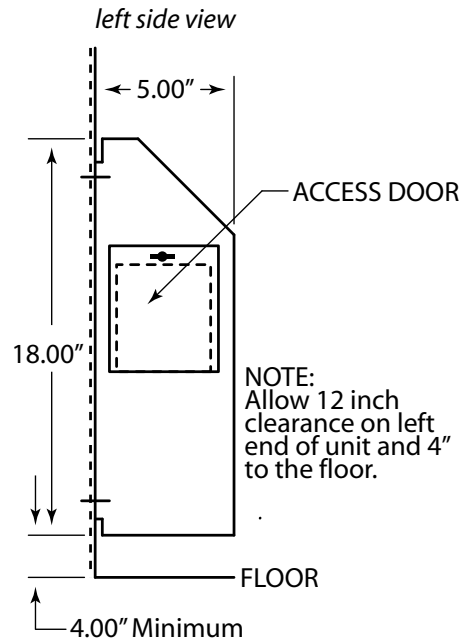
8800 Series Institutional Wall Convactor



- Single phase heaters available in all common voltages from 120V to 600V.
 - 11 gauge perforated steel housing powder coated with textured ivory finish.
 - Tamper proof left side control panel houses built-in single pole thermostat - range 40°F-110°F and disconnect switch. Thermostat on 120V-277V units is line voltage and low voltage (24V) on 346V-600V units.
 - Linear limit type thermal overload with automatic reset.
 - Tamper proof fasteners
 - Stainless steel element with Aluminum fins.
 - Made in U.S.A.
- Note: Not for residential applications.

HOW TO DESIGNATE A MODEL:

H	880	3	100
Element Voltage E=120 F=208 G=277 H=240 L=346 P=480 U=600	Series Number	Unit Length 1=18" 2=28" 3=36" 4=48" 5=60" 6=72"	Unit Wattage 050=500 075=750 100=1000 125=1250 150=1500 200=2000



Product Specifications

CABINET:

Institutional enclosure 11 gauge perforated steel with sloped top design. Heavy duty end caps welded to the enclosure. Control compartment for housing thermostat and disconnect switch is accessible by use of security type fastener. The entire enclosure is protected by epoxy powder coated paint finish.

ELEMENT:

All steel high mass element construction with Nickel-Chromium resistance wire embedded in compacted efficient dielectric to ensure proper heat transfer. Aluminum fins mechanically bonded to steel tube allows for increased surface area and even heat transfer.

LIMIT CONTROLS:

Automatic reset hydraulic thermal overload covers full length of heating element and shuts down heater when safe operating temperatures are exceeded.

WIRING:

Wiring connections shall be made in left end of cabinet enclosure. Wiring must enter into control enclosure behind perforated steel grill.

CONTROLS:

All controls are accessible only through control enclosure door. Security type fasteners restrict access to controls. Built in thermostat and disconnect switch with manual adjustment are located in control enclosure.

Optional In-Built Controls

SUFFIX	DESCRIPTION	LIST
T2	Tamperproof, Hydraulic, Double pole In-Built thermostat range 40°-110°F, 25 Amp	146
24V*	24 Volt In-Built single pole thermostat for 120V 208V, 240V & 277V models. 40°-110°F	177

*Not available on international models

8800 Series Institutional Wall Convectors

Standard Models

MFG CATALOG NUMBER	MFG MODEL NUMBER	WATTS	BTUs	VOLTS	AMPS	LENGTH (IN.)	LIST
08990002	E8801050	500	1706	120	4.167	18	2476
08990602	F8801050			208	2.404		
08991202	H8801050			240	2.083		
08991802	G8801050			277	1.805		
08992402	L8801050			346	1.445		
08993002	P8801050			480	1.042		
08993602	U8801050			600	0.833		
08990102	E8802075			750	2560		
08990702	F8802075	208	3.606				
08991302	H8802075	240	3.125				
08991902	G8802075	277	2.708				
08992502	L8802075	346	2.168				
08993102	P8802075	480	1.563				
08993702	U8802075	600	1.25				
08990202	E8803100	1000	3413			120	8.333
08990802	F8803100			208	4.808		
08991402	H8803100			240	4.167		
08992002	G8803100			277	3.610		
08992602	L8803100			346	2.890		
08993202	P8803100			480	2.083		
08993802	U8803100			600	1.667		
08990302	E8804125			1250	4266	120	10.417
08990902	F8804125	208	6.010				
08991502	H8804125	240	5.208				
08992102	G8804125	277	4.513				
08992702	L8804125	346	3.613				
08993302	P8804125	480	2.604				
08993902	U8804125	600	2.083				
08990402	E8805150	1500	5120			120	12.5
08991002	F8805150			208	7.212		
08991602	H8805150			240	6.25		
08992202	G8805150			277	5.415		
08992802	L8805150			346	4.335		
08993402	P8805150			480	3.125		
08994002	U8805150			600	2.5		
08990502	E8806200			2000	6826	120	16.667
08991102	F8806200	208	9.615				
08991702	H8806200	240	8.333				
08992302	G8806200	277	7.220				
08992902	L8806200	346	5.780				
08993502	P8806200	480	4.167				
08994102	U8806200	600	3.333				

International Models

MFG CATALOG NUMBER	MFG MODEL NUMBER	WATTS	BTUs	VOLTS	AMPS	LENGTH (IN.)	LIST
09841402	M8801050i	500	1706	220	2.3	18	2476
09841502	H8801050i			240	2.1		
09841602	M8802075i	750	2560	220	3.4	28	2820
09841702	H8802075i			240	3.1		
09841802	M8803100i	1000	3413	220	4.5	36	3152
09841902	H8803100i			240	4.2		
09842002	M8804125i	1250	4266	220	5.7	48	3542
09842102	H8804125i			240	5.2		
09842202	M8805150i	1500	5120	220	6.8	60	3839
09842302	H8805150i			240	6.3		
09842402	M8806200i	2000	6826	220	9.1	72	4263
09842502	H8806200i			240	8.3		

4100 Series Recessed Commercial Wall Convectors



- Front In / Front Out air pattern
 - 16 gauge steel housing powder coated with textured beige finish
 - Tubular pre-wired wireway with 40 Amp capacity
 - Connection boxes for right or left hand wiring with combination 1/2" - 3/4" knockouts at back and bottom
 - Steel heating element with steel fins
 - Linear limit thermal overload with automatic reset
 - Recess trim frame included
 - Custom colors available, contact factory
 - Made in U.S.A.
- Note: Not for residential applications



HOW TO DESIGNATE A MODEL:

M41	25	F	48	1000	T
<u>Series Number</u>	<u>Cabinet Size</u> 45=20"H x 5"D 25=11"H x 4"D	<u>Voltage/Phase</u> G=277V, 1 Phase J=208V, 3 Phase H=240V, 1 Phase K=240V, 3 Phase	<u>Unit Length (Inches)</u> 24, 36, 48, 60, or 72	<u>Total Wattage</u>	<u>Control Option</u> Blank=None R, R2, or R9=Relay T or T2=Thermostat (See control option chart)

Product Specifications

CABINET:

4100 series casing shall be of square design with front inlet and outlet grilles suitable for recess installation. The cabinet is fabricated from 16 gauge cold rolled steel and finished with powder coated baked enamel. Junction boxes are available for left or right wiring and connected by pre-wired 40 Amp capacity wireway.

ELEMENT:

All steel high mass element construction with Nickel-Chromium resistance wire embedded in compacted efficient dielectric to ensure proper heat transfer. Aluminum fins mechanically bonded to steel tube allows for increased surface area and even heat transfer.

LIMIT CONTROLS:

Automatic reset hydraulic thermal overload covers full length of heating element and shuts down heater when safe operating temperatures are exceeded.

WIRING:

Wiring connections shall be made in left end of cabinet enclosure. Wiring must enter into control enclosure behind perforated steel grill.

CONTROLS:

All controls are accessible only through control enclosure door. Security type fasteners restrict access to controls. Built in thermostat with manual adjustment are located in control enclosure.

4100 Series Recessed Commercial Wall Convectors

M4125 Dimensions - Cabinet Sizes 4" Deep x 11" High

LENGTH (IN.)	WT. (LBS)	WATTS per FOOT AVAILABLE	VOLTS AVAILABLE	PH	LIST
24	20	187 250 333	208 240 277	1	752
36	33				869
48	39				1008
60	49				1144
72	56				1272

M4145 Dimensions - Cabinet Sizes 5" Deep x 20" High

LENGTH (IN.)	WT. (LBS)	WATTS per FOOT AVAILABLE	VOLTS AVAILABLE	PH	LIST	LENGTH (IN.)	WT. (LBS)	WATTS per FOOT AVAILABLE	VOLTS AVAILABLE	PH	LIST
24	45	187 250 333	208 240 277	1	810	24	49	750	208 240 277	1	927
36	53				986	36	60				1139
48	63				1195	48	71				1387
60	77				1453	60	87				1689
72	92				1747	72	106				2035
24	47	500 666	208 240 277	1	823	24	49	500 666 750	208 240	3	927
36	57				1058	36	60				1139
48	67				1292	48	71				1387
60	82				1564	60	87				1689
72	100				1901	72	106				2037

Note: Products listed in this section are custom built and subject to 100% cancellation/restocking charges.

Note: Please see page 60 for custom color availability - add 10% to net heater cost.

In-Built Control Options for Single Phase Units

SUFFIX	DESCRIPTION	LIST
T	In-Built Tamper Proof, Single Pole, Hydraulic Thermostat - 40°-110°F temp. range, 25 Amps	116
T2	In-Built Tamper Proof, Double Pole, Hydraulic Thermostat - 40°-110°F temp. range, 25 Amps	143
R	DPST Relay, 30 Amps, up to 277V, 120V coil	151
R2	SPST Relay, 18 Amps @ 277V (max), 24V coil	160
R9	24V Transformer and SPST Relay, 22 Amps @24V, 18 Amps @ 277V (max), 24V coil	190

Note: No In-Built control options for 3 phase models.

12" Control Section

UNIT LENGTH	MFG MODEL 4125	LIST	MFG MODEL 4145	LIST
12"	MSE4120-12	87	MSE4140-12	143

Note: Control section required when relay is ordered.

Solid Back Panel

UNIT LENGTH	MFG MODEL 4125	LIST	MFG MODEL 4145	LIST
24"	MS4122	71	MS4142	114
36"	MS4123	92	MS4143	125
48"	MS4124	120	MS4144	191
60"	MS4125	146	MS4145	237
72"	MS4126	169	MS4146	276

3000 Series Fan Forced Ceiling Heater



Standard Models

WHITE		SELECTABLE INSTALLATION WATTAGE	MAX BTUs	VOLTS	MAX AMPS	LIST
MFG CATALOG NUMBER	MFG MODEL NUMBER					
09488202	E3035DWBW	750 or 1500	5120	120	13	278
09488302	E3038DWBW	900 or 1800	6143	120	15	
09488802	H3032DWBW	750 or 1000 - 1500 or 2000	6826	208 / 240	8	
09489002	G3032DWBW	2000	6826	277	7	

Selectable Wattages, Back Cans, And Power Disconnects

- Wattage selectable at time of installation - models shipped wired to highest wattage
- Fan purge circuit (has 2 wire control circuit for use with remote wall thermostat)
- Models may not be used with remote double pole thermostat
- Drywall depth embossments on back can
- Powder coated 18 gauge steel front
- Manual reset thermal limit
- Steel block fin element
- Propeller style fan blade - 1060 RPM / 100 CFM
- Weight 6 lbs.
- Optional field installed control voltage relays available
- Rough in dimensions - 9 1/4" Wide - 12 1/8" High - 3 5/8" Deep
- Grill dimensions: 9 25/32" Wide - 13" High
- Made in U.S.A.

Field Installed Accessories

MFG CATALOG NUMBER	MFG MODEL NUMBER	DESCRIPTION	LIST
09968402	30R	24 VOLT RELAY	39
09968502	30R2	120 VOLT RELAY	
09515002	30R8	208/240 VOLT RELAY	41
09514902	30R7	277 VOLT RELAY	
09969702	303EX8RW	1" EXTENDER	45
09969602	303EX16RW	2" EXTENDER	46
09969502	303EX32RW	4" SURFACE MOUNT FRAME	54
04600302	TB3000	T-BAR FRAME	63

3380 Series Commercial Fan Forced Ceiling Heater

Product Specifications

The heaters are be constructed of a heavy gauge steel housing. The rough-in dimensions are 19 3/16" wide x 4" deep. The finish shall be baked-on powder coat in Ceiling White color. The units shall be available in ratings from 1500 through 4800 Watts with an optional factory installed single pole thermostat.

The heaters have a low speed 600-RPM motor, which drives a vane axial blower to deliver a quite 175 CFM's of down flow air. The heating element shall be of the block finned type with large, parallel steel fins for quick heat transfer. Unit shall have as standard, a manual reset capillary type limit control, for added safety. Unit weight 22 pounds.



Features & Standard Models

Recess, Surface, Or "T" Bar Mounting



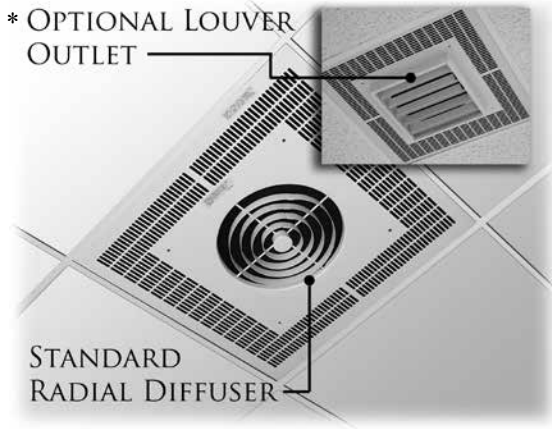
- Fan purge circuit (has 2 wire control circuit for use with remote wall thermostat)
- Disconnect switch
- White powder coated 18 gauge steel grill
- Manual reset thermal limit
- Steel block fin element
- Vane axial fan blade:
1.5KW - 4.0KW units: 700 RPM motor; 175 CFM
4.8KW units: 900 RPM motor; 200 CFM
- Rough in dimensions:
14 3/16" wide x 19 3/16" high x 4" deep
- Grill dimensions:
15 3/8" wide x 20 3/4" high
- Optional factory installed tamper resistant thermostat
- Made in U.S.A.

MFG CATALOG NUMBER	MFG MODEL NUMBER	KW	BTUs	VOLTS	PH	AMPS	TEMP RISE	LIST	
03664802	E3383D-RP	1.5	5120	120	1	12.5	27 °F	626	
03662902	F3386D-RP	4.0	13600	208		19.2	72 °F	656	
03663002	F3387D-RP	4.8	16382	208		23.1	76 °F	739	
03663402	HF3384D-RP	2.0 / 1.5	6826/5120	240/208		8.3/7.2	36 °F	576	
03663502	HF3385D-RP	3.0 / 2.3	10200/7679	240/208		12.5/10.8	54 °F	656	
03663602	HF3386D-RP	4.0 / 3.0	13600/10200	240/208		16.8/14.4	72 °F		
03663702	H3387D-RP	4.8	16382	240		20	76 °F	739	
03665002	G3383D-RP	1.5	5120	277		5.4	27 °F	626	
03664102	G3384D-RP	2.0	6826	277		7.2	36 °F	656	
03664202	G3385D-RP	3.0	10200	277		10.8	54 °F	740	
03664302	G3386D-RP	4.0	13600	277		14.4	72 °F		
03664402	G3387D-RP	4.8	16382	277		17.3	76 °F	821	
International Models									
04708802	M3384D-RPi	1680	5734	220		1	7.6	30 °F	626
04708902	M3385D-RPi	2520	8600		11.5		50 °F	658	
04709002	M3386D-RPi	4032	13761		18.3		72 °F	740	

Accessories

MFG CATALOG NUMBER	MFG MODEL NUMBER	DESCRIPTION	WT. (LBS)	LIST
03778502	BOX3310	Additional Back Can	10	108
03811002	3380EX33	Surface Mounting Adapter	1	94
04600202	TB3380	2X2 T-Bar Mounting Kit	7	63
Thermostat- Add suffix T to model		Factory installed single pole, positive off. Range-60° F-105° F		121

3480 Series Commercial Fan Forced Recessed Mounted Ceiling Heater



Features

- White powder coated 20 gauge grill.
- All units have manual reset thermal limit, 24V control transformer, and 24V relay (A1 suffix).
- Enclosed steel fin sheath element.
- Rough in dimensions: 23 1/16" sq. x 9 1/8" deep.
- Maximum mounting is 12'
- Made in U.S.A.



Standard Models

MFG CATALOG NUMBER	MFG MODEL NUMBER	KW	BTUs	VOLTS	PH	AMPS	TEMP RISE	LIST
03153302	F3482A1	2	6826	208	1	9.6	15 °F	1417
03152602	H3482A1			240		8.3		
03149702	G3482A1			277		7.2		
03184702	P3482A1			480		4.2		
04702802	J3482A1	2	6826	208	3	5.6	15 °F	1519
03984902	K3482A1			240		4.8		
04702402	Y3482A1			480		2.4		
03153202	F3483A1	3	10200	208	1	14.4	22 °F	1433
03148402	H3483A1			240		12.5		
03148102	G3483A1			277		10.8		
03184802	P3483A1			480		6.3		
04706402	J3483A1	3	10200	208	3	8.3	22 °F	1537
03985002	K3483A1			240		7.2		
04702502	Y3483A1			480		3.6		
03153602	F3484A1	4	13600	208	1	19.2	30 °F	1450
03155402	H3484A1			240		16.8		
03148002	G3484A1			277		14.4		
03185002	P3484A1			480		8.3		
03148702	J3484A1	4	13600	208	3	11.1	30 °F	1566
03148202	K3484A1			240		9.7		
03185802	Y3484A1			480		4.8		
03154802	F3485A1	5	17000	208	1	24.1	37 °F	1626
03155102	H3485A1			240		20.8		
03149602	G3485A1			277		18.1		
03185402	P3485A1			480		10.4		
03150802	J3485A1	5	17000	208	3	13.9	37 °F	1726
03180902	K3485A1			240		12.1		
03184002	Y3485A1			480		6.1		
03661002	PT3480	Recess Frame - Weight 5 lbs.						163
International Models								
0470971	M3482T2i	2	6826	220	1	9.1	15 °F	1417
0470988	N3482T2i			240		8.3		
0470995	M3483T2i	3	10200	220	1	13.6	22 °F	1433
0471008	N3483T2i			240		12.5		
0471015	M3484T2i	4	13600	220	1	18.2	30 °F	1450
0471022	N3484T2i			240		16.7		

Notes

Optional controls must be factory installed. Field installation is not acceptable and violates Listing and factory warranty.

Degree F air rise is measured at 1,000 F.P.M. and 600 CFM. Throw designed for 8 to 12 foot ceilings. db RE 10⁻¹² Watt=63.9

Unit Weight: 50 lbs.

Low Voltage: UT1001

Product Specifications

Contractor shall supply and install heavy duty ceiling mounted forced air electric heater(s) of the wattage, voltage and phase as indicated on the plans. The heater shall be so designed to provide an even distribution of heated air to the space to be heated by drawing return air in the periphery of the heater, across and through the element and be discharged from the center section of the heater by means of an electric motor and axial flow fan blade.

Heaters shall be recessed type and mounted flush with the finished ceiling. The return grille assembly shall be constructed of a one piece heavy gauge steel with 1/4" slots for return air and concentric rings for uniform air discharge. Grille assembly shall be attached to chassis by tamper-resistant (allen head) machine screws. All parts of enclosure shall be heavy gauge steel, zinc coated both sides and finished in neutral off white powder coat paint.

Enclosure shall be constructed of 1/2" x 3/8" rounded edge horizontal steel louvers which shall be spaced for maximum opening of 3/16". Louvers shall be welded at every intersection to evenly spaced 1/8" diameter vertical members. Discharge grille to have concentric rings for uniform air discharge. Grille assembly shall be attached to chassis by tamper-resistant (allen head) machine screws. All part of enclosure shall be heavy gauge steel, Zinc coated both sides and finished in neutral off white colored powder coat finish.

Motor shall be permanent lubricated, unit bearing, totally enclosed, impedance protection. Motors shall operate at no more than 1300 RPM and shall be same voltage as the heater.

Heaters shall have a rating of 600 CFM at 1,000 F.P.M. with a maximum temperature rise of 44°F and 63.9 DB RE 10¹² Watt.

Element assemblies shall consist of two or three corrosion resistant steel sheathed type elements mechanically bonded to common corrosion resistant steel fins. Each sheathed element shall consist of helically coiled Nickel Chromium alloy resistant wire completely embedded in and surrounded by magnesium oxide, enclosed and wedged into corrosion resistant steel sheaths. Elements shall have 2" cold conductor pins extending into sheath and shall have a density of no more than 60 Watts per inch.

Heaters shall be equipped with a "manual reset" thermal overload which disconnects elements and motor in the event normal operating temperatures are exceeded. For safety, if opened due to abnormal temperature, thermal overload shall remain open until manually reset. Automatic reset thermal overloads which allow the element to continue to cycle under abnormal conditions will not be accepted. Heaters shall be ETL listed.

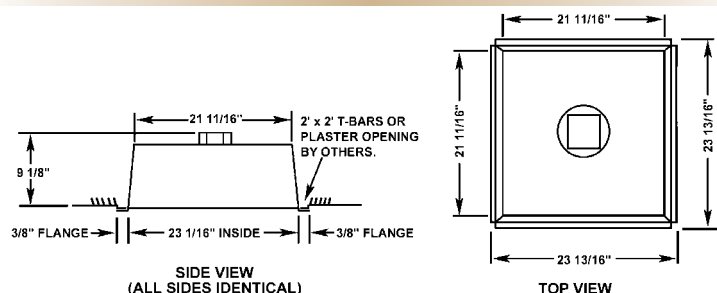
*Optional Louver Outlet - \$94 Adder

Factory Installed Control Sections

SUFFIX	DESCRIPTION	LIST
S	Disconnect Switch	171
T	Thermostat	103
RELAYS FOR FIELD SUPPLIED CONTROL - NIGHTLY SETBACK		
R	Relay Control Voltage Same as Heater (control voltage field supplied)	85
R1	Relay 24V Control Voltage (control voltage field supplied)	139
R2	Relay 120V Control Voltage (control voltage field supplied)	127

Note: When relay for the field is supplied, night setback is built into the heater. The A1 option is replaced by this relay to be controlled by building supplied voltage to the relay.

Product Dimensions



3470 Series Commercial Fan Forced Surface Mounted Ceiling Heater

Product Specifications

CONSTRUCTION: Made in U.S.A.

Contractor shall supply and install heavy duty ceiling mounted forced air electric heater(s) of the wattage, voltage and phase as indicated on the plans. The heater shall so be designed to provide an even distribution of heated air to the space to be heated by drawing return air in the periphery of the heater, across and through the element and be discharged from the center section of the heater by mean of an electric motor and axial flow fan blade.

MOTOR: Motor shall be permanent lubricated, unit bearing, totally enclosed shaded pole type with impedance protection. Motors shall operate at no more than 1300 RPM and shall be same voltage as the heater.

PERFORMANCE: Heaters shall have a rating of 600 CFM at 1,000 F.P.M. with a maximum temperature rise of 44°F and 63.9 DB RE 10¹² Watt.

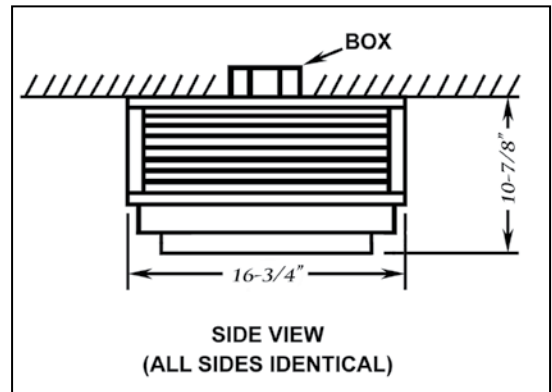
ELEMENT: Element assemblies shall consist of two or three corrosion resistant steel sheathed type elements mechanically bonded to common corrosion resistant steel fins. Each sheathed element shall consist of helically coiled Nickel Chromium alloy resistant wire completely embedded in and surrounded by Magnesium Oxide, enclosed and wedged into corrosion resistant steel sheaths. Elements shall have 2" cold conductor pins extending into sheath and shall have a density of no more than 60 watts per inch.

THERMAL OVERLOAD: Heaters shall be equipped with a "manual reset" thermal overload which disconnects elements and motor in the event normal operating temperatures are exceeded. For safety, if opened due to abnormal temperature, thermal overload shall remain open until manually reset. Automatic reset thermal overloads which allow the element to continue to cycle under abnormal conditions will not be accepted.

COMMERCIAL AND INSTITUTIONAL APPLICATIONS: Use in - vestibules, entrance ways, lobbies, rest rooms and small office and guard building applications.



Product Dimensions



Standard Models

MFG CATALOG NUMBER	MFG MODEL NUMBER	KW	BTUs	VOLTS	PH	AMPS	TEMP RISE	LIST
03982602	F3472A1	2	6826	208	1	9.6	15 °F	1417
03982702	H3472A1			240		8.3		
03982802	G3472A1			277		7.2		
03243302	P3472A1	2	6826	480	3	4.2	15 °F	1550
03983702	J3472A1			208		5.6		
03983802	K3472A1			240		4.8		
04702202	Y3472A1			480		2.4		1653
03810602	F3473A1	3	10200	208	1	14.4	22 °F	1433
03982902	H3473A1			240		12.5		
03983002	G3473A1			277		10.8		
03243402	P3473A1	3	10200	480	3	6.3	22 °F	1567
03983902	J3473A1			208		8.3		
03984002	K3473A1			240		7.2		
04702302	Y3473A1			480		3.6		1685
03983102	F3474A1	4	13600	208	1	19.2	30 °F	1450
03983202	H3474A1			240		16.8		
03983302	G3474A1			277		14.4		
03243502	P3474A1	4	13600	480	3	8.3	30 °F	1582
03984102	J3474A1			208		11.1		
03984202	K3474A1			240		9.7		
03243602	Y3474A1			480		4.8		1700
03983402	F3475A1	5	17000	208	1	24.1	37 °F	1626
03983502	H3475A1			240		20.8		
03983602	G3475A1			277		18.1		
03243702	P3475A1	5	17000	480	3	10.4	37 °F	1767
03984302	J3475A1			208		13.9		
03984402	K3475A1			240		12.1		
03243802	Y3475A1			480		6.1		1863
International Models								
04709102	M3472T2i	2	6826	220	1	9.1	15 °F	1417
04709202	N3472T2i			240		8.3		
04709302	M3473T2i	3	10200	220	1	13.6	22 °F	1450
04709402	N3473T2i			240		12.5		
04709502	M3474T2i	4	13600	220	1	18.2	30 °F	1450
04709602	N3474T2i			240		16.7		

Notes

Optional controls must be factory installed. Field installation is not acceptable and violates Listing and factory warranty.

Degree F air rise is measured at 1,000 F.P.M. and 600 CFM. Throw designed for 8 to 12 foot ceilings. db RE 10⁻¹² Watt=63.9

Unit weight: 32 lbs.

Recommended Remote Thermostats:
Low Voltage: UT1001

Maximum mounting is 12'

Factory Installed Control Sections

SUFFIX	DESCRIPTION	LIST
S	Disconnect Switch	171
T	Single Pole (480V only)	103
RELAYS FOR FIELD SUPPLIED NIGHTLY SETBACK		
R	Relay Control Voltage Same as Heater (control voltage field supplied)	85
R1	Relay 24V Control Voltage (control voltage field supplied)	139
R2	Relay 120V Control Voltage (control voltage field supplied)	127

*Optional Adjustable Louver Diffuser - \$94 Adder

Note: When relay for the field is supplied, night setback is built into the heater. The A1 option is replaced by this relay to be controlled by building supplied voltage to the relay.

CP & RCP Series Radiant Ceiling Panel Heaters

Product Description

For Surface Or Recessed Installation, Radiant Ceiling Panels radiate energy like the solar radiation which warms us, heats objects, not the air. With no moving parts, these heating panels create gentle warmth and toasty comfort.



Radiant Ceiling Panels provide a low surface temperature and broad heat distribution. Clean, gentle comfortable heat that is ideal for offsetting perimeter heat loss or neutralizing downdrafts over glass. These versatile and flexible panels may be used virtually anywhere in homes, schools, hospitals, motels and a broad variety of other commercial or industrial installations.

Product Specifications

CONSTRUCTION:

Radiant Ceiling Panels shall be made of highest quality steel casing. Front panel shall be painted with textured powder coated finish. Electric Resistance element is fixed between dielectric material and insulation. Two inches of insulation is compressed to one inch by back panel to minimize upward heat loss and radiant efficiency. Radiant panels shall have 36" pre-wired flexible cable for easy installation and wiring connections. CP Series is 20 Gauge metal. Made in U.S.A.

INSTALLATION:

CP Series shall be designated as 2x2 or 2x4 size. All panels are 1" thick. The size shall be nominal dimension to be manufactured to fit drop ceiling systems. Standard units will fit regular "T" Bar frame. For regular or trim line or other frame sizes, special construction is required. RCP Series shall be used in recess mounting applications. RCP Series shall be 2" less in width to recess between nominal 24" center ceiling joists. RCP Series shall be complete with recess frame for finished construction.

ACCESSORIES:

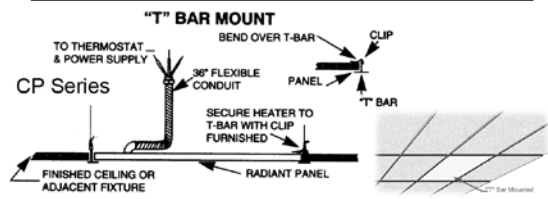
Surface mounting frames shall be optional for surface mounting the CP Series, and are Aluminum mill finish. Frames can be painted white to match panel.

OPTIONS:

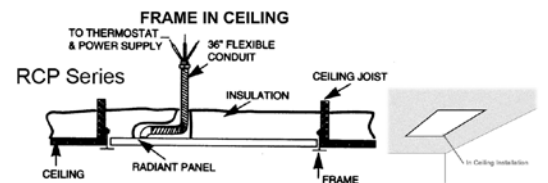
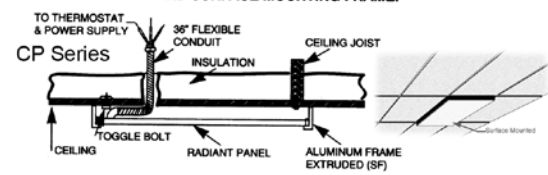
Silk-screening the exposed surface to match ceiling tiles is available, as well as silicone sealed metal parts for high humidity applications.

NOTE:

Add \$15.00 Net for each unit for application of Silicone to ceiling panel for high humidity areas



FOR SURFACE MOUNTED UNITS USE STANDARD "T" BAR CEILING PANEL AND SURFACE MOUNTING FRAME.



CP Series - "T" Bar & Surface Mounted

MFG CATALOG NUMBER	MFG MODEL NUMBER	WATTS	BTUs	AMPS	VOLTS	WT. (LBS)	LIST
Dimensions: 2' x 4' (Nominal) x 1"							
04587102	CP805	500	1707	2	208	20 lb.	438
04587202	CP125			4.2/2.1	120/240		
04587302	CP705			2	277		
04587402	CP807			4	208		
04587502	CP127	750	2560	6.3/3.1	120/240	20 lb.	452
04587602	CP707			3	277		
Dimensions: 2' x 2' (Nominal) x 1"							
04587702	CP802	250	853	1	208	13 lb.	288
04587802	CP122			2.1/1.0	120/240		
04587902	CP702			.9	277		
04588002	CP803			2	208		
04588102	CP123	375	1280	3.1/1.6	120/240	13 lb.	348
04588202	CP703			1	277		
04591002	SF400 Surface Frame for 2' x 4' Panels (CP only)					10 lb.	198
04590902	SF200 Surface Frame for 2' x 2' Panels					6 lb.	157

RCP Series - Frame in Ceiling Mounted

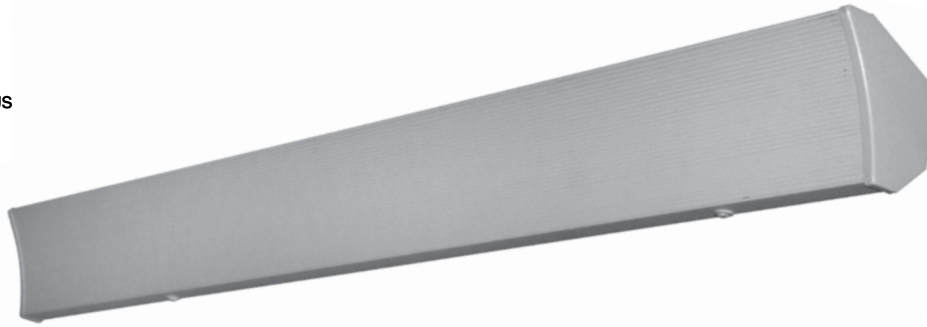
MFG CATALOG NUMBER	MFG MODEL NUMBER	WATTS	BTUs	AMPS	VOLTS	WT. (LBS)	LIST
Dimensions: 2' x 4' (Including Recessing Frame)							
04588302	RCP805	500	1707	2	208	30 lb.	622
04588402	RCP125			4.2/2.1	120/240		
04588502	RCP705			2	277		
04588602	RCP807			4	208		
04588702	RCP127	750	2560	6.3/3.1	120/240	30 lb.	686
04588802	RCP707			3	277		
Dimensions: 2' x 2' (Including Recessing Frame)							
04588902	RCP802	250	853	1	208	19 lb.	418
04589002	RCP122			2.1/1.0	120/240		
04589102	RCP702			.9	277		
04589202	RCP803			2	208		
04589302	RCP123	375	1280	3.1/1.6	120/240	19 lb.	524
04589402	RCP703			1	277		

International Models

MFG CATALOG NUMBER	MFG MODEL NUMBER	WATTS	BTUs	AMPS	VOLTS	WT. (LBS)	LIST
Dimensions: 2' x 4' (Nominal) x 1"							
04710302	CP2205i	420	1434	1.9	220	20	438
04710402	CP125i	500	1707	4.2/4.1	120/240		
04710502	CP2207i	630	2150	2.9	220		
04710602	CP127i	750	2560	6.3/3.1	120/240		
Dimensions: 2' x 2' (Nominal) x 1"							
04710702	CP2202i	210	717	0.95	220	13	288
04710802	CP122i	250	853	2.1/1.0	120/240		
04710902	CP2203i	315	1075	1.4	220	13	348
04711002	CP123i	375	1280	3.1/1.6	120/240		

MFG CATALOG NUMBER	MFG MODEL NUMBER	WATTS	BTUs	AMPS	VOLTS	WT. (LBS)	LIST
Dimensions: 2' x 4' (Including Recessing Frame)							
04711102	RCP2205i	420	1434	1.9	220	30	622
04711202	RCP125i	500	1707	4.2/4.1	120/240		
04711302	RCP2207i	630	2150	2.9	220		
04711402	RCP127i	750	2560	6.3/3.1	120/240		
Dimensions: 2' x 2' (Including Recessing Frame)							
04711502	RCP2202i	210	717	0.95	220	19	418
04711602	RCP122i	250	853	2.1/1.0	120/240		
04711702	RCP2203i	315	1075	1.4	220		
04711802	RCP123i	375	1280	3.1/1.6	120/240		

CVX Series Radiant Cove Ceiling Heater



Product Description

Cove Heaters have a subtly contoured concave surface with a saw-tooth profile. The concave parabolic face plate performs a two-fold function: (1) it focuses the infrared rays and (2) directs the heat downward along cold perimeters and toward the center of the room. The sawtooth surface design increases the radiating surface area by 45%, thereby increasing the comfort level of the room faster and insuring more rapid recovery from heat losses.

Product Specifications

Furnish and install Electric Cove Heaters where specified. The heaters shall be constructed of .096" thick Aluminum. The heater surface shall be concave in contour and saw-tooth in profile. The finish shall be of powder coat white finish. The heaters shall be available in ratings from 450 through 1250 Watts, at 120, 240, 208 and 277 Volts. The heating element shall be of Nichrome wire, embedded in Magnesium Oxide powder, enclosed and sealed in Aluminum metal tubing. The heater shall be listed by ETL and the elements shall be supplied with a one year limited warranty. Made in U.S.A.

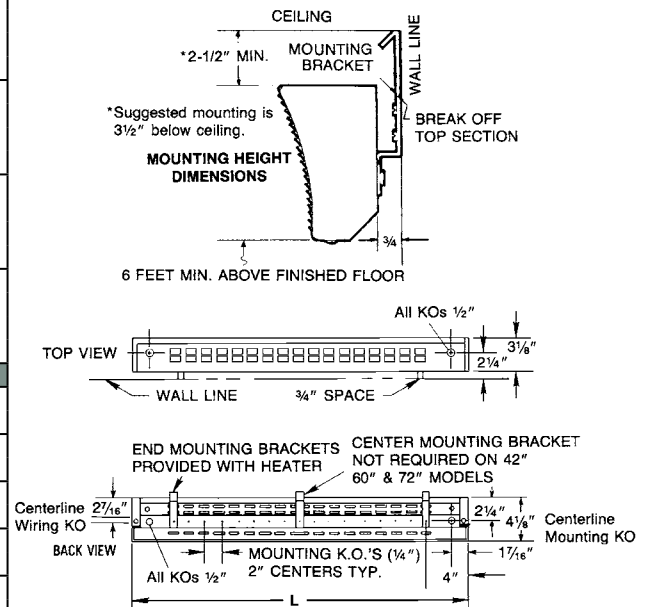
Standard Models

MFG CATALOG NUMBER	MFG MODEL NUMBER	WATTS	BTUs	AMPS	VOLTS	LENGTH	WT. (LBS)	LIST
04575802	CV4512X	450	1536	4	120	42"	7	225
04575902	CV45X	450		2	240			
04576002	CV45YX	450		2.0	208			
04576102	CV4527X	450		2	277			
04576202	CV6012X	600	2048	5.0	120	60"	10	280
04576302	CV60X	600		3	240			
04576402	CV60YX	600		3	208			
04576502	CV6027X	600		2	277			
04576602	CV7512X	750	2560	6	120	72"	13	309
04576702	CV75X	750		3	240			
04576802	CV75YX	750		3.6	208			
04576902	CV7527X	750		3	277			
04577002	CV9012X	900	3072	8	120	84"	14	349
04577102	CV90X	900		4	240			
04577202	CV90YX	900		4	208			
04577302	CV9027X	900		3	277			
04577402	CV10012X	1000	3413	8	120	96"	17	364
04577502	CV100X	1000		4	240			
04577602	CV100YX	1000		5	208			
04577702	CV10027X	1000		4	277			
04577802	CV11012X	1100	3754	9	120	108"	19	405
04577902	CV110X	1100		5	240			
04578002	CV110YX	1100		5	208			
04578102	CV11027X	1100		4.0	277			
04578202	CV12512X	1250	4266	10	120	120"	21	447
04578302	CV125X	1250		5	240			
04578402	CV125YX	1250		6.0	208			
04578502	CV12527X	1250		5	277			
International Models								
04711902	CV4522Xi	450	1536	2.0	220	42"	7	225
04712002	CV45Xi			1.9	240			
04712102	CV6022Xi	600	2048	2.7	220	60"	10	280
04712202	CV60Xi			2.5	240			
04712302	CV7522Xi	750	2560	3.4	220	72"	13	309
04712402	CV75Xi			3.1	240			
04712502	CV9022Xi	900	3072	4.1	220	84"	14	349
04712602	CV90Xi			3.8	240			
04712702	CV10022Xi	1000	3413	4.5	220	96"	17	364
04712802	CV100Xi			4.2	240			
04712902	CV11022Xi	1100	3754	5.0	220	108"	19	405
04713002	CV110Xi			4.6	240			
04713102	CV12522Xi	1250	4266	5.7	220	120"	21	447
04713202	CV125Xi			5.2	240			

Accessories & Dimensions

MFG CATALOG NUMBER	MFG MODEL NUMBER	DESCRIPTION	WT. (LBS)	LIST
04579202	CVCBX	Ceiling Bracket*	1/2	17
04578602	CVB42X	42" Blank Section	6	54
04578702	CVB60X	60" Blank Section	8	78
04578802	CVB84X	84" Blank Section	12	103
04579102	CVSP	Aerosol Touch-up Paint	1	50

* Order 2 for units up to 72"
Order 3 for units over 72"





Features

- Wattage selectable at time of installation.
- Models shipped wired to highest wattage.
- Approved for horizontal mounting - right or left discharge.
- Fan purge circuit.
- Disconnect switch.
- Drywall depth embossments on back can.
- 18 gauge powder coated steel & extruded Aluminum front.
- Manual reset thermal limit.
- Steel block fin element.
- Propeller style fan blade: 1060 RPM motor; 100 CFM.
- Weight 6 lbs.
- Rough in dimensions: 9 1/4" Wide x 12 1/8" High x 3 5/8" Deep.
- Grill dimensions: 10" Wide x 13 1/8" High.
- Approved for wall or ceiling installation.
- Made in U.S.A.

Standard Models

MFG CATALOG NUMBER	MFG MODEL NUMBER	SELECTABLE INSTALLATION WATTAGE	MAX BTUs	VOLTS	MAX AMPS	LIST
TAMPERPROOF IN-BUILT DOUBLE POLE THERMOSTAT (40° - 100° TEMPERATURE RANGE)						
09962102	E3055T2DWB	750 or 1500	5120	120	12.5	332
09962202	E3058T2DWB	900 or 1800	6143	120	15.0	331
09962502	F3052T2DWB	1000 or 2000	6826	208	8.3	
09456902	F30522T2DWB	500 or 750 or 1000 or 1250 or 1500 or 1750 or 2250	7680	208	10.8	384
09962802	H3052T2DWB	750 or 1000 - 1500 or 2000	6826	208 / 240	8.3	333
09457202	H30522T2DWB	500 or 750 or 1000 or 1250 or 1500 or 1750 or 2250	7680	240	9.4	382
09963102	G3052T2DWB	2000	6826	277	7.2	338
TAMPERPROOF IN-BUILT SINGLE POLE THERMOSTAT (0° - 110° TEMPERATURE RANGE)						
09960602	E3055TDWB	750 or 1500	5120	120	12.5	313
09960702	E3058TDWB	900 or 1800	6143	120	15.0	315
09961002	F3052TDWB	1000 or 2000	6826	208	8.3	
09456302	F30522TDWB	500 or 750 or 1000 or 1250 or 1500 or 1750 or 2250	7680	208	10.8	363
09961302	H3052TDWB	750 or 1000 - 1500 or 2000	6826	208 / 240	8.3	313
09456602	H30522TDWB	500 or 750 or 1000 or 1250 or 1500 or 1750 or 2250	7680	240	9.4	348
09961602	G3052TDWB	2000	6826	277	7.2	315

Accessories

MFG CATALOG NUMBER	MFG MODEL NUMBER	DESCRIPTION	LIST
09969402	305EX8	1" EXTENDER	45
09969302	305EX16	2" EXTENDER	46
09969202	305EX32	4" SURFACE MOUNT FRAME	54

Note: Please see page 60 for custom color availability - add 10% to net heater cost.

3320 Series Commercial Fan Forced Wall Heater



Features

- Disconnect switch.
- Automatic fan delay circuit.
- Automatic reset thermal limit.
- Powder coated 18 gauge steel grill with extruded Aluminum front frame.
- Steel block fin element.
- Vane axial fan blade:
- 600 RPM motor; 175 CFM
- Built-In tamper proof thermostat.
- Made in U.S.A.
- Rough-in dimensions:
14 3/16" Wide x 19 7/16" High x 4" Deep
- Grill dimensions:
15 29/32" Wide x 20 27/32" High



Product Specifications

Furnish and install Heavy-Duty Forced Air wall heaters, where specified. The heaters shall be constructed of a heavy 18 gauge steel housing with an extruded Aluminum frame. The rough-in dimensions are 19 7/16" High x 14 3/16" Wide x 4" Deep. The units shall be available in ratings from 750 to 4800 Watts at 240, 208, and 277 Volts. The heaters shall have a low-speed 600 RPM, 4-pole motor which drives a vane axial blower to deliver a quiet 175 CFM of down flow air. The heating element shall be

of the sealed tubular type with large, parallel steel fins for quick heat transfer. Unit shall have as a standard, a thermal overload cut-off for added safety, fan delay switch and built-in tamper proof thermostat which shall be calibrated to provide a range of 0°F. to 110°F. and manual disconnect switch.

Optional accessories shall include a surface and semi-recess mounting adapter. All heaters shall be listed by ETL. The heating element shall be supplied with a manufactures 1-year limited warranty.

Standard Models

MFG CATALOG NUMBER	MFG MODEL NUMBER	WATTS	BTUs	VOLTS	AMPS	WT. (LBS)	LIST
IN-BUILT SINGLE POLE TAMPERPROOF THERMOSTAT (50° - 90° TEMPERATURE RANGE) FOR DOUBLE POLE THERMOSTAT REPLACE "T" IN MODEL NUMBER WITH "T2" -- Add \$50							
03820502	E3321TD-RP	750	2560	120	6.25	26	677
03819902	E3322TD-RP	1000	3413		8.3		
03808802	E3323TD-RP	1500	5120		12.5		
03809302	F3326TD-RP	4000	13800	208	19.2	29	689
03810202	F3327TD-RP	4800	16560		23		
03809402	HF3323TD-RP	1500 / 1125	5120 / 3840		6.2 / 5.4		
03809502	HF3324TD-RP	2000 / 1500	6284 / 5120	240 / 208	8.3 / 7.2	27	689
03809602	HF3325TD-RP	3000 / 2250	10350 / 7763		12.5 / 10.8		
03809702	HF3326TD-RP	4000 / 3000	13800 / 10350		16.7 / 14.4		
03810302	H3327TD-RP	4800	16560	240	20	29	716
03809802	G3323TD-RP	1500	5120	277	4.1	26	688
03809902	G3324TD-RP	2000	6284		7.2	27	
03810002	G3325TD-RP	3000	10350		10.8	29	
03810102	G3326TD-RP	4000	13800	240	14.4	30	829
03810402	G3327TD-RP	4800	16560		17.3		
03980702	J3326TD-RP*	4000	13800		11.11		
03980802	J3327TD-RP*	4800	16560	208	13.33	29	871
03980902	K3326TD-RP*	4000	13800		9.64		
03981002	K3327TD-RP*	4800	16560		11.57		
International Models							
03964202	M3324TD-RPi	3360/1680	11468/5734	220	15.3/7.64	27	689
03964302	M3325TD-RPi	4032/2016	13761/6881		18.3/9.16		

*Indicates 3-Phase model. All other models are 1-Phase.

Accessories

MFG CATALOG NUMBER	MFG MODEL NUMBER	DESCRIPTION	TYPE	WT. (LBS)	LIST
03778502	BOX 3310	Additional Rough-in Box	Field Installed	3	108
03784502	3320EX33	4" Surface Mounting Frame		1	98
03829302	3320EX16	2" semi recess extender		1	84
-----	Suffix - HD	16 Gauge Steel Heavy Duty Grill	Factory Installed	2	108

4400 Series Low Profile Commercial Fan Forced Wall Heater - With Wall Box



- Powder coated 20 gauge steel front with extruded Aluminum frame.
- Manual reset thermal limit.
- Finned tubular steel element.
- Propeller style fan blade - 2200 RPM/70 CFM
- Weight 9 lbs.
- Rough in dimensions:
14 1/2" Wide x 7 1/8" High x 3 1/2" Deep
- Grill dimensions: 16 7/8" Wide x 8" High
- Unit not approved for ceiling mount applications.
- Unit can be positioned to allow left, right or top discharge.
- Made in U.S.A.

Note: Please see page 60 for custom color availability - add 10% to net heater cost.

Standard Models

MFG CATALOG NUMBER	MFG MODEL NUMBER	VOLTS	WATTS	MAX BTUs	AMPS	LIST
DOUBLE POLE IN-BUILT THERMOSTAT (RANGE 40° - 100° F)						
03283202	F4420T2RP	208	2000	6826	9.6	335
03283302	HF4475T2RP	240/208	750 / 562	2560 / 1920	3.1 / 2.7	
03283402	HF4410T2RP		1000 / 750	3413 / 2560	4.2 / 3.6	
03283502	HF4415T2RP		1500 / 1125	5120 / 3840	6.3 / 5.4	
03283602	HF4420T2RP		2000 / 1500	6826 / 5120	8.3 / 7.2	
SINGLE POLE IN-BUILT THERMOSTAT (RANGE 0° - 110° F)						
03283702	E4475TRP	120	750	2560	6.25	315
03283802	E4410TRP		1000	3413	8.33	
03283902	E4415TRP		1500	5120	12.5	
03284002	F4420TRP		2000	6826	9.6	

Accessories

MFG CATALOG NUMBER	MFG MODEL NUMBER	DESCRIPTION	WT. (LBS)	LIST
03299102	4400EX8	1" SEMI RECESSING EXTENDER	2	49
03299002	4400EX16	2" SEMI RECESSING EXTENDER	3	52
03298902	4400EX32	4" SURFACE MOUNTING FRAME	4	54
03284402	4300PB	WALL PLATE ADAPTOR (OD 21.5"x12.25")	1	36

3420 & 3450 Series Heavy-Duty Fan Forced Wall Heaters

Features



- Powder coated bar stock steel tamper proof grille, with extruded Aluminum frame and 16 gauge housing.
- In-Built double pole tamper proof thermostat with a 60°-120°F temperature range & positive off; 3 phase heaters have 3 pole thermostat for positive off position with a 60°-165° temperature range
- Manual reset thermal limit switch.
- Corrosion resistant steel tubular element with brazed steel fins.
- Permanently lubricated, unit bearing, shaded pole motor with impedance protection.
- Propeller type fan blade:
 - Made in U.S.A.
- 1400 RPM motor; 245 CFM
- Factory installed options:
 - contactors (3420 & 3450 series)
 - circuit breakers (3450 series)
 - control transformers (3450 series)

Note: Wall box required - may be ordered early for rough in purposes.

Standard Models

HEATER		WALL BOX		WATTS	BTUs	VOLTS	PH	AMPS	WT. (LBS)	HEATER LIST	WALL BOX LIST	TOTAL LIST
MFG CATALOG NUMBER	MFG MODEL NUMBER	MFG CATALOG NUMBER	MFG MODEL NUMBER									
SERIES 3420 - ROUGH-IN DIMENSIONS: 19 3/8" H x 14 1/4" W x 4 1/4" D GRILL DIMENSIONS: 21 1/2" H x 17 1/16" W												
06911302	F3422T	06915702	Box 3420	2000	6826	208	1	9.6	41	1016	170	1186
06911902	H3422T					240		8.3				
06911702	G3422T					277		7.2				
03846202	J3422T			2000	6826	208	3	5.6		1192		
03846402	K3422T					240		4.8				
06912302	F3423T			3000	10239	208	1	14.4		1042		
06913102	H3423T					240		12.5				
06912702	G3423T					277		10.8				
03846302	J3423T			3000	10239	208	3	8.3		1192		
03846502	K3423T					240		7.3				
06913302	F3424T			4000	13652	208	1	19.2		1063		
06913802	H3424T					240		16.7				
06913602	G3424T					277		14.4				
06914002	J3424T					208	3	11.1				1192
06914102	K3424T					240		9.6				
06914302	F3425T					208	1	24				1207
06915102	H3425T	240	20.8									
06914802	G3425T	277	18.1									
06915302	J3425T	5000	17065	208	3	13.9	1311					
06915602	K3425T			240		12.0						

HEATER		WALL BOX		WATTS	BTUs	VOLTS	PH	AMPS	WT. (LBS)	HEATER LIST	WALL BOX LIST	TOTAL LIST
MFG CATALOG NUMBER	MFG MODEL NUMBER	MFG CATALOG NUMBER	MFG MODEL NUMBER									
SERIES 3450 - ROUGH-IN DIMENSIONS: 23 1/16" H x 14 1/4" W x 4 1/4" D GRILL DIMENSIONS: 25 1/32" H x 17 1/16" W												
06916102	F3452T	06919102	Box 3450	2000	6826	208	1	9.6	55	1302	198	1500
06916802	H3452T					240		8.3				
03122902	G3452T					277		7.2				
03846602	J3452T			2000	6826	208	3	5.6		1481		
03846801	K3452T					240		4.8				
06876802	F3453T			3000	10239	208	1	14.4		1445		
06917702	H3453T					240		12.5				
03122802	G3453T					277		10.8				
03846702	J3453T			3000	10239	208	3	8.3		1481		
03846901	K3453T					240		7.3				
06917802	F3454T			4000	13652	208	1	19.2		1352		
06918102	H3454T					240		16.7				
03119902	G3454T					277		14.4				
06918502	J3454T					208	3	11.1				1481
03166502	K3454T					240		9.6				
03129802	F3455T					5000	17065	208				1
03121302	H3455T	240	20.8									
03123802	G3455T	277	18.1									
06919002	J3455T	5000	17065	208	3	13.9	1632					
03130702	K3455T			240		12.0						

Note: Please see page 60 for custom color availability - add 10% to net heater cost.

Note: Products listed in this section are custom built and subject to 100% cancellation/restocking charges.

Product Specifications

Contractor shall supply and install heavy duty wall mounted forced air electric heaters of the wattage, voltage and phase as specified. The heater shall so be designed to provide an even distribution of heated air to the space to be heated by drawing return air in the peripheral area of the heater across and through the element which shall then be discharged from the center section of the heater by means of an electric motor and axial flow fan blade. Heaters shall be recessed type to extend no more than 1 ½" from the finished wall or surface mounted to extend no more than 5 ¾" from the finished wall or semi-recessed type to extend no more than 3 ½" from finished wall or semi-recessed type to extend no more than 2 ½" from finished wall.

ENCLOSURE:

Heater front shall withstand 10.8 ft. lbs. (324 pounds) impact and 400 lbs. static force applied to an 8 sq. in. area at center grille location with less than ¼" permanent distortion. The combination return and supply grille assembly shall be constructed of ¼" x ¾" rounded edge horizontal steel louvers which shall be spaced for maximum opening of ¼". Louvers shall be welded at every intersection to three evenly spaced 1/16" diameter vertical members and completely framed in a heavy gauge natural anodized Aluminum extrusion. Front assembly shall be attached to the chassis by hidden tamper-resistant (Allen-head) machine screws. All other parts shall be 16 gauge steel Zinc coated, both sides finished in a high gloss or bronze colored baked powder coat finish.

MOTOR:

Motor shall be a permanently lubricated unit bearing, totally enclosed shaded pole type with impedance protection. Motors shall operate at no more than 1400 RPM and shall be same voltage as the heater. A protective shield shall surround the motor to separate return air from heated air.

PERFORMANCE:

Heaters shall have a rating of 245 CFM at 660 F.P.M. with a maximum temperature rise of 73°F.

ELEMENTS:

Element assemblies shall consist of two or three corrosion resistant steel sheathed type elements mechanically bonded to common corrosion resistant steel fins. Each sheathed element shall consist of helically coiled Nickel Chromium alloy resistant wire completely embedded in and surrounded by Magnesium Oxide, enclosed and wedged into corrosion resistant steel sheaths. Elements shall have 2" cold conductor pins extending into the sheath and shall have a density of no more than 60 Watts per inch.

THERMAL OVERLOAD:

Heaters shall be equipped with a "manual reset" thermal overload which disconnects elements and motor in the event normal operating temperatures are exceeded. For safety, if opened due to abnormal temperature, thermal overload shall remain open until manually reset. Automatic reset thermal overloads which allow the element to continue to cycle under abnormal conditions will not be accepted.

APPROVAL:

Heaters shall be ETL Listed.

OPTIONAL CONTROL SYSTEMS:

Heaters shall be operated from wall-mounted, line voltage, heavy-duty (tamper-proof) thermostats. Heaters with built-in, pre-wired contactors shall be operated from wall-mounted, line voltage, pilot duty (tamper-proof) thermostats. Heaters built with, pre-wired contactors (and control transformers) shall be operated from wall-mounted, pilot duty (24V) or (120V) wall-mounted tamper-proof thermostats. Heaters shall be controlled by integrally mounted thermostats. Thermostats shall be heavy-duty, hydraulic type with a temperature range of 60°F to 120°F for double pole units and 60°F-165°F for three pole units and with remote sensing bulb placed in the return air. Thermostats shall be electrically rated at least 125% of heater rating. Thermostats shall be electrically rated at least 125% of heater rating. Thermostats shall also act as a disconnect by breaking all ungrounded conductors in the OFF position. (Thermostat control knob shall be covered by a 16 gauge tamper-proof access plate to prevent adjustment by unauthorized personnel.)

CONTACTORS:

Where required, heaters shall be equipped with heavy-duty, definite purpose contactors with flame path separators and dust covers. Contactors shall cycle all ungrounded conductors. Contactors shall have holding coils (of the same voltage as the heater) or (120 Volts) or (24 Volts).

CONTROL TRANSFORMERS:

Heater shall be equipped with a Class 2 control transformer, sealed rating of 20 VA, to supply control circuits of (24 Volts) or (120 Volts). (120 Volt secondaries not available in single phase heaters over 3 KW).

CIRCUIT BREAKERS (3450 Series Only):

Heaters shall be equipped with built-in circuit breakers in order to allow the heaters to be supplied from feeder taps. A separate switch providing a positive off for control circuits shall be included where required. Circuit breakers and control switches shall be arranged so that all line side conductors will be separately enclosed when heater front is removed for servicing so that no current carrying parts are accessible without the use of additional tools.

3420 & 3450 Series Heavy-Duty Fan Forced Wall Heaters

Factory Installed Accessories

Units with transformers must have a contactor. A control transformer with 120V secondary is available on all 3-phase models, 208V/240V 1-phase units up to 3KW, and up to 4KW on 277V. All heaters must be installed with a wall box.

MFG MODEL NUMBER	DESCRIPTION	SERIES OPTIONS		LIST
		3420	3450	
Suffix - R	Contactors with Coil same as heater	YES	YES	198
Suffix - R1	Contactors with 24V Coil	YES	YES	
Suffix - R2	Contactors with 120V Coil	YES	YES	
Suffix - C	Circuit Breakers - all models	NO	YES	368
Suffix - A1	Control Transformers With 24V Secondary	NO	YES	109
Suffix - A2	Control Transformers With 120V Secondary	NO	YES	146

MFG CATALOG NUMBER	MFG MODEL NUMBER	DESCRIPTION	WT. (LBS)	LIST
06919402	3450EX34	4" Surface Mounting Sleeve	6	111
06919302	3450EX16	2" Semi-Recessing Sleeve	4	106
06919202	3450EX8	1" Semi-Recessing Sleeve	4	85
06916002	3420EX34	4" Surface Mounting Sleeve	5	111
06915902	3420EX16	2" Semi-Recessing Sleeve	4	106
06915802	3420EX8	1" Semi-Recessing Sleeve	3	85

3450SD Series Setback on Demand Heavy-Duty Fan Forced Wall Heaters

Features



3450SD White



3450SD Bankers Bronze (Tamper Proof)

- Heavy duty architectural style
- Automatic fan purge circuit
- Manual reset thermal limit switch
- Powder coated bar stock grill with extruded Aluminum frame and 16 gauge housing.
- Set desired comfort level and set-back level up to 12°F.
- The thermostat learns your schedule based on detected movement and returns the area to the desired temperature using two stage operation. If the thermostat does not detect movement within an hour, setback occurs to the preset level.
- Occupancy sensor defaults to economy mode after one hour, sensor has a 94 degree angular range and a 16' linear range
- Tamper proof grill covers the thermostat
- Corrosion resistant steel tubular element with brazed steel fins.
- Permanently lubricated, unit bearing, shaded pole motor with impedance protection.
- Factory preset to correct operating system/voltage of heater
- Propeller type fan blade:
 - 1400 RPM motor; 245 CFM
- Made in U.S.A.
- Available in white, consult factory.



Features

HEATER		WATTS	BTUs	VOLTS	PH	AMPS	WT. (LBS)	HEATER LIST	WALLBOX LIST	TOTAL LIST
MFG CATALOG NUMBER	MFG MODEL NUMBER									
SERIES 3450SD - ROUGH-IN DIMENSIONS: 23 1/16" H x 14 1/4" W x 4 1/4" D GRILL DIMENSIONS: 25 1/32" H x 17 7/16" W										
03985102	F3452SD	2000	6826	208	1	9.6	55	2244	210	2454
03985202	H3452SD			240		8.3				
03985302	G3452SD			277		7.2				
03985402	J3452SD	2000	6826	208	3	5.6		2422		2632
03985502	K3452SD			240		4.8				
03985602	F3453SD			208		14.4				
03985702	H3453SD	3000	10239	240	1	12.5		2261		2471
03985802	G3453SD			277		10.8				
03985902	J3453SD			208		8.3				
03986002	K3453SD	3000	10239	240	3	7.3		2422		2632
03986102	F3454SD			208		19.2				
03986202	H3454SD			240		16.7				
03986302	G3454SD	4000	13652	277	1	14.4	2294	2504		
03986402	J3454SD			208		11.1				
03986502	K3454SD			240		9.6				
03986602	F3455SD	5000	17065	208	1	24.03	2430	2640		
03986702	H3455SD			240		20.8				
03986802	G3455SD			277		18.1				
03986902	J3455SD	5000	17065	208	3	13.9	2575	2785		
03987002	K3455SD			240		12.0				

3310 Series Fan Forced Wall Heater - Without Summer Fan Switch



Features

- Powder coated 18 gauge steel front.
- Automatic reset thermal limit.
- Vane axial fan blade: 600 RPM / 175 CFM.
- Rough in dimensions: 14 3/16" Wide x 19 15/16" High x 4" Deep.
- Grill dimensions: 15 3/8" Wide x 20 3/4" High.
- Steel block fin element. • Made in U.S.A.
- Weight 22 lbs.
- Units with dual wattage, factory wired to highest wattage.
- Wattage selectable at time of installation on some models.



Standard Models

MODELS WITH IN-BUILT DOUBLE POLE THERMOSTAT (0° - 110° F TEMPERATURE RANGE)								
IVORY		WHITE		WATTS	MAX BTUs	VOLTS	AMPS	LIST
MFG CATALOG NUMBER	MFG MODEL NUMBER	MFG CATALOG NUMBER	MFG MODEL NUMBER					
03263402	E3312T2RP	03264802	E3312T2RPW	1000	3413	120	8.3	519
03263502	E3313T2RP	03264902	E3313T2RPW	1500	5120		12.5	
				750	2560		6.25	
03263602	F3316T2RP	03265002	F3316T2RPW	4000	13648	208	19.2	527
03263702	F3317T2RP	03265102	F3317T2RPW	4800	16380		23	541
03264002	HF3315T2RP	03265402	HF3315T2RPW	3000 / 2250	10240	240 / 208	12.5 / 10.8	526
				1500 / 1125	5120		6.2 / 5.4	
03264102	HF3316T2RP	03265502	HF3316T2RPW	4000 / 3000	13648		16.8 / 14.4	
				2000 / 1500	6826		8.3 / 7.2	
03264202	H3317T2RP	03265602	H3317T2RPW	4800	16380	240	20.0	553
03264302	G3314T2RP	03265702	G3314T2RPW	2000	6826	277	7.2	526
03264402	G3315T2RP	03265802	G3315T2RPW	3000	10240		10.8	
03264502	G3316T2RP	03265902	G3316T2RPW	4000	13648		14.4	
03264602	G3317T2RP	03266002	G3317T2RPW	4800	16380		17.3	

MODELS WITH IN-BUILT SINGLE POLE THERMOSTAT (0° - 110° F TEMPERATURE RANGE)								
03825202	E3312TRP	03826102	E3312TRPW	1000	3413	120	8.3	484
03806502	E3313TRP	03841602	E3313TRPW	1500	5120		12.5	
				750	2560		6.25	
03799402	F3316TRP	03841802	F3316TRPW	4000	13648	208	19.2	492
03803002	F3317TRP	03841902	F3317TRPW	4800	16380		23	506
03805602	HF3315TRP	03822202	HF3315TRPW	3000 / 2250	10240	240 / 208	12.5 / 10.8	506
				1500 / 1125	5120		6.2 / 5.4	
03799802	HF3316TRP	03822302	HF3316TRPW	4000 / 3000	13648		16.8 / 14.4	
				2000 / 1500	6826		8.3 / 7.2	
03803102	H3317TRP	03822402	H3317TRPW	4800	16380	240	20.0	517
03805902	G3314TRP	03842602	G3314TRPW	2000	6826	277	7.2	491
03807502	G3315TRP	03842702	G3315TRPW	3000	10240		10.8	
03800102	G3316TRP	03802802	G3316TRPW	4000	13648		14.4	
03791702	G3317TRP	03842902	G3317TRPW	4800	16380		17.3	

MODELS WITHOUT AN IN-BUILT THERMOSTAT								
03266202	E3312RP	03267602	E3312RPW	1000	3413	120	8.3	459
03266302	E3313RP	03267702	E3313RPW	1500	5120		12.5	
				750	2560		6.25	
03285302	F3316RP	03267802	F3316RPW	4000	13648	208	19.2	470
03266502	F3317RP	03267902	F3317RPW	4800	16380		23	484
03266802	HF3315RP	03268202	HF3315RPW	3000 / 2250	10240	240 / 208	12.5 / 10.8	470
				1500 / 1125	5120		6.2 / 5.4	
03266902	HF3316RP	03268302	HF3316RPW	4000 / 3000	13648		16.8 / 14.4	
				2000 / 1500	6826		8.3 / 7.2	
03267002	H3317RP	03268402	H3317RPW	4800	16380	240	20.0	494
03267102	G3314RP	03268502	G3314RPW	2000	6826	277	7.2	469
03267202	G3315RP	03268602	G3315RPW	3000	10240		10.8	
03267302	G3316RP	03268702	G3316RPW	4000	13648		14.4	
03267402	G3317RP	03268802	G3317RPW	4800	16380		17.3	

3310 Series Fan Forced Wall Heater - With Summer Fan Switch



Features

- Powder coated 18 gauge steel front.
- Automatic reset thermal limit.
- Steel block fin element.
- Weight 22 lbs.
- Vane axial fan blade: 600 RPM / 175 CFM.
- Grill dimensions: 15 3/8" Wide x 20 3/4" High.
- Rough in dimensions: 14 3/16" Wide x 19 5/16" High x 4" Deep.
- Units with dual wattage, factory wired to highest wattage.
- Wattage selectable at time of installation on some models.
- Made in U.S.A.



Product Specifications

Typical Specifications: Furnish and install Electric Forced Air Heaters where specified. The heaters shall be constructed of a heavy gauge steel housing. The rough-in dimensions are 14 3/16" Wide x 19 5/16" High x 4" Deep. The finish shall be powder coated paint in ivory or white color. The units shall be available in ratings from 750 through 4800 Watts. The heaters shall have a low speed 600 RPM motor which drives a vane axial blower to deliver a quiet 175 CFM of down flow air. The heating element shall be of the sealed block fin type with large, parallel steel fins for quick heat transfer. Unit shall have a standard thermal overload cutoff for added safety, a fan switch for fan only operation, and is available with a single pole, or double pole built-in thermostat, or no thermostat. The in-built thermostat shall be calibrated to provide a range of 0 degrees F. to 110 degrees F. All heaters shall be listed by ETL. The heating element shall be supplied with a manufacturer's 1 year limited warranty.

Standard Models

MODELS WITH IN-BUILT DOUBLE POLE THERMOSTAT (0° - 110°F TEMPERATURE RANGE)								
IVORY		WHITE		WATTS	MAX BTUs	VOLTS	AMPS	LIST
MFG CATALOG NUMBER	MFG MODEL NUMBER	MFG CATALOG NUMBER	MFG MODEL NUMBER					
03260602	E3312T2SRP	03262002	E3312T2SRPW	1000	3413	120	8.3	529
03260702	E3313T2SRP	03262102	E3313T2SRPW	1500	5120		12.5	
				750	2560		6.25	
03260802	F3316T2SRP	03262202	F3316T2SRPW	4000	13648	208	19.2	541
03260902	F3317T2SRP	03262302	F3317T2SRPW	4800	16380		23	554
03261202	HF3315T2SRP	03262602	HF3315T2SRPW	3000 / 2250	10240	240 / 208	12.5 / 10.8	541
				1500 / 1125	5120		6.2 / 5.4	
03261302	HF3316T2SRP	03262702	HF3316T2SRPW	4000 / 3000	13648		16.8 / 14.4	
				2000 / 1500	6826		8.3 / 7.2	
03261402	H3317T2SRP	03262802	H3317T2SRPW	4800	16380	240	20.0	563

MODELS WITH IN-BUILT SINGLE POLE THERMOSTAT (0° - 110°F TEMPERATURE RANGE)								
03825702	E3312TSRP	03825902	E3312TSRPW	1000	3413	120	8.3	497
03796102	E3313TSRP	03840102	E3313TSRPW	1500	5120		12.5	
				750	2560		6.25	
03777102	F3316TSRP	03840202	F3316TSRPW	4000	13648	208	19.2	506
03777802	F3317TSRP	03840302	F3317TSRPW	4800	16380		23	519
03776002	HF3315TSRP	03840702	HF3315TSRPW	3000 / 2250	10240	240 / 208	12.5 / 10.8	521
				1500 / 1125	5120		6.2 / 5.4	
03776902	HF3316TSRP	03840802	HF3316TSRPW	4000 / 3000	13648		16.8 / 14.4	
				2000 / 1500	6826		8.3 / 7.2	
03777602	H3317TSRP	03840902	H3317TSRPW	4800	16380	240	20.0	528

International Models								
----	----	03964802	M3315T2SRPWi	3360	11468	220	15.27	541
				1680	5734		7.64	
----	----	03964902	M3316T2SRPWi	4032	13761		18.33	
				2016	6881		9.16	

Note: Fan switch not available on 277V models. 277V models are available without a fan switch on previous page.

Accessories - All Models

IVORY		WHITE		DESCRIPTION	ACCESSORY TYPE	LIST
MFG CATALOG NUMBER	MFG MODEL NUMBER	MFG CATALOG NUMBER	MFG MODEL NUMBER			
03778502	BOX3310	03778502	BOX3310	ADDITIONAL BACK CAN	Field Installed	108
03299502	3310EX33R	03299602	3310EX33WR	SURFACE MOUNTING FRAME		93
SUFFIX D				DISCONNECT SWITCH	Factory Installed	118

3200 Series Midsized Fan Forced Wall Heater - With Wall Box



SHOWN WITH BUILT-IN THERMOSTAT

Features

- Units have white powder coat finish.
- Approved for horizontal mounting - right or left discharge.
- Drywall depth embossments on back can.
- Powder coated 18 gauge steel front.
- Manual reset thermal limit.
- Finned tubular steel element.
- Weight 6 lbs.
- Propeller style fan blade: 2200 RPM / 70 CFM.
- Optional field installed In-Built thermostat.
- Rough in dimensions: 9 1/4" Wide, 12 1/8" High, 3 5/8" Deep.
- Grill dimensions: 9 25/32" Wide, 13" High.
- Made in U.S.A. **"TWO WIRE INSTALLATION"**



Standard Models

MFG CATALOG NUMBER	MFG MODEL NUMBER	VOLTS	WATTS	MAX BTUs	AMPS	LIST
BUILT-IN DOUBLE POLE (POSITIVE OFF) THERMOSTAT 40° - 100° F RANGE						
03834602	F3220T2RPW	208	2000	6826	9.6	270
03834702	H3275T2RPW	240	750	2560	3.1	
03834802	HF3210T2RPW	240/208	1000 / 750	3413 / 2560	4.2 / 3.6	
03834902	HF3215T2RPW		1500 / 1125	5120 / 3840	6.3 / 5.4	
03835002	HF3220T2RPW		2000 / 1500	6826 / 5120	8.3 / 7.2	
03835102	HF3222T2RPW		2250 / 1688	7680 / 5762	9.4 / 8.1	
International Models - BUILT-IN DOUBLE POLE (POSITIVE OFF) THERMOSTAT 40° - 100° F RANGE						
03963802	M3210T2RPWi	220	840	2867	3.8	270
03963902	M3215T2RPWi		1260	4300	5.7	
03964002	M3220T2RPWi		1680	5734	7.6	
03964102	M3222T2RPWi		1890	6451	8.6	
Standard Models - BUILT-IN SINGLE POLE (POSITIVE OFF) THERMOSTAT 40° - 100° F RANGE						
03835202	E3275TRPW	120	750	2560	6.25	254
03835302	E3210TRPW		1000	3413	8.33	
03835402	E3215TRPW		1500	5120	12.5	
NO BUILT-IN THERMOSTAT						
03835502	E3275RPW	120	750	2560	6.25	233
03835602	E3210RPW		1000	3413	8.33	
03835702	E3215RPW		1500	5120	12.5	
03835802	F3220RPW	208	2000	6826	9.6	
03835902	H3275RPW	240	750	2560	3.1	
03836002	HF3210RPW	240/208	1000 / 750	3413 / 2560	4.2 / 3.6	
03836102	HF3215RPW		1500 / 1125	5120 / 3840	6.3 / 5.4	
03836202	HF3220RPW		2000 / 1500	6826 / 5120	8.3 / 7.2	
03836302	HF3222RPW		2250 / 1688	7680 / 5762	9.4 / 8.1	

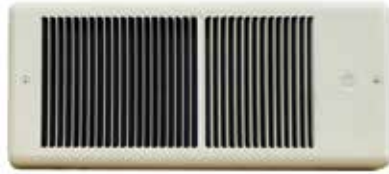
Accessories

FIELD INSTALLED COMPONENTS				SURFACE MOUNTED EXTENDERS & FRAMES			
MFG CATALOG NUMBER	MFG MODEL NUMBER	DESCRIPTION	LIST	WHITE		DESCRIPTION	LIST
MFG CATALOG NUMBER	MFG MODEL NUMBER			MFG CATALOG NUMBER	MFG MODEL NUMBER		
03836402	32T1	Single Pole thermostat with positive off for 120V units 0° - 110° F	53	09969702	303EX8RW	1" EXTENDER	45
03836502	32T2	Double Pole thermostat with positive off for 240/208V units 40° - 100° F	59	09969602	303EX16RW	2" EXTENDER	46
				09969502	303EX32RW	4" SURFACE MOUNT FRAME	54

4300 Series Low Profile Fan Forced Wall Heater - With Wall Box



WITH IN-BUILT THERMOSTAT



WITHOUT IN-BUILT THERMOSTAT

Features

- Available in ivory or white.
- Powder coated 20 gauge steel front.
- Manual reset thermal limit.
- Finned tubular steel element.
- Weight 9 lbs.
- Propeller style fan blade - 2200 RPM / 70 CFM
- Rough in dimensions: 14 1/2" Wide, 7 1/8" High, 3 1/2" Deep
- Grill dimensions: 16 3/4" Wide, 7 5/8" High
- Unit not approved for ceiling mount applications.
- Unit can be positioned to allow left, right or top discharge.
- Made in U.S.A.



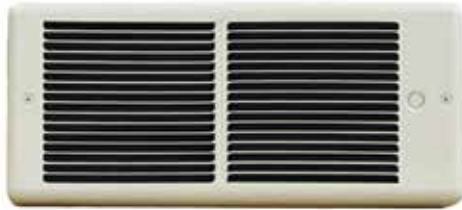
Standard Models

IVORY		WHITE		VOLTS	WATTS	MAX BTUs	AMPS	LIST
MFG CATALOG NUMBER	MFG MODEL NUMBER	MFG CATALOG NUMBER	MFG MODEL NUMBER					
DOUBLE POLE IN-BUILT THERMOSTAT (RANGE 0° - 110°F)								
03276902	F4320T2RP	03277402	F4320T2RPW	208	2000	6826	9.6	261
03277002	HF4375T2RP	03277502	HF4375T2RPW	240/208	750 / 562	2560 / 1920	3.1 / 2.7	
03277102	HF4310T2RP	03277602	HF4310T2RPW		1000 / 750	3413 / 2560	4.2 / 3.6	
03277202	HF4315T2RP	03277702	HF4315T2RPW		1500 / 1125	5120 / 3840	6.3 / 5.4	
03277302	HF4320T2RP	03277802	HF4320T2RPW		2000 / 1500	6826 / 5120	8.3 / 7.2	
International Models - DOUBLE POLE IN-BUILT THERMOSTAT (RANGE 0° - 110°F)								
----	----	03964402	M4375T2RPi	220	630	2150	2.9	266
----	----	03964502	M4310T2RPi		840	2869	3.8	
----	----	03964602	M4315T2RPi		1260	4300	5.7	
----	----	03964702	M4320T2RPi		1680	5733	7.6	
Standard Models - SINGLE POLE INBUILT THERMOSTAT (RANGE 0° - 110°F)								
03277902	E4375TRP	03278702	E4375TRPW	120	750	2560	6.25	249
03278002	E4310TRP	03278802	E4310TRPW		1000	3413	8.33	
03278102	E4315TRP	03278902	E4315TRPW		1500	5120	12.5	
03278202	F4320TRP	03279002	F4320TRPW	208	2000	6826	9.6	
03278302	HF4375TRP	03279102	HF4375TRPW	240/208	750 / 562	2560 / 1920	3.1 / 2.7	
03278402	HF4310TRP	03279202	HF4310TRPW		1000 / 750	3413 / 2560	4.2 / 3.6	
03278502	HF4315TRP	03279302	HF4315TRPW		1500 / 1125	5120 / 3840	6.3 / 5.4	
03278602	HF4320TRP	03279402	HF4320TRPW		2000 / 1500	6826 / 5120	8.3 / 7.2	
NO IN-BUILT THERMOSTAT								
03279502	E4375RP	03280302	E4375RPW	120	750	2560	6.25	220
03279602	E4310RP	03280402	E4310RPW		1000	3413	8.33	
03279702	E4315RP	03280502	E4315RPW		1500	5120	12.5	
03279802	F4320RP	03280602	F4320RPW	208	2000	6826	9.6	
03279902	HF4375RP	03280702	HF4375RPW	240/208	750 / 562	2560 / 1920	3.1 / 2.7	
03280002	HF4310RP	03280802	HF4310RPW		1000 / 750	3413 / 2560	4.2 / 3.6	
03280102	HF4315RP	03280902	HF4315RPW		1500 / 1125	5120 / 3840	6.3 / 5.4	
03280202	HF4320RP	03281002	HF4320RPW		2000 / 1500	6826 / 5120	8.3 / 7.2	

Accessories

IVORY		WHITE		ACCESSORY OPTIONS	WT. (LBS)	LIST
MFG CATALOG NUMBER	MFG MODEL NUMBER	MFG CATALOG NUMBER	MFG MODEL NUMBER			
03276502	4300EX8	03284502	4300EX8W	1" SEMI RECESSING EXTENDER	2	48
03276602	4300EX16	03284602	4300EX16W	2" SEMI RECESSING EXTENDER	3	51
03276702	4300EX32	03284702	4300EX32W	4" SURFACE MOUNTING FRAME	4	54
03276802	4300P	03284802	4300PW	WALL PLATE ADAPTOR (OD 21.5" x 12.25")	1	36
FIELD INSTALLED THERMOSTATS		03297702	43T	SINGLE POLE THERMOSTAT 0° - 110° F	1	51
		03297802	43T2	DOUBLE POLE THERMOSTAT 0° - 110° F	1	57

4800 Series Register Style Fan Forced Wall Heater - With Wall Box



Features

- Units have white powder coat finish.
- Powder coated 20 gauge steel front.
- Manual reset thermal limit.
- Finned tubular steel element.
- Propeller style fan blade - 2200 RPM / 70 CFM.
- Rough in dimensions: 14 1/2" Wide x 7 1/8" High x 3 1/2" Deep.
- Grill dimensions: 16 3/4" Wide x 7 5/8" High.
- Unit not approved for ceiling mount applications.
- Left discharge only. / Weight: 9lbs
- Made in U.S.A.

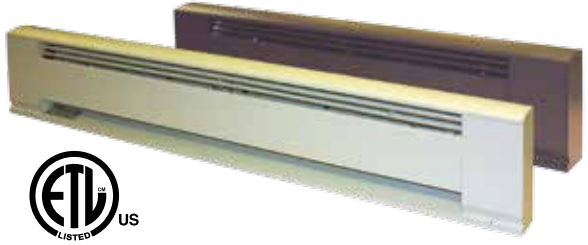
Standard Models

MFG CATALOG NUMBER	MFG MODEL NUMBER	VOLTS	WATTS	MAX BTUs	AMPS	LIST
DOUBLE POLE IN-BUILT THERMOSTAT (0° - 110° F TEMPERATURE RANGE)						
03281502	F4820T2RPW	208	2000	6826	9.6	281
03281602	HF4875T2RPW	240/208	750 / 562	2560 / 1920	3.1 / 2.7	
03281702	HF4810T2RPW		1000 / 750	3413 / 2560	4.2 / 3.6	
03281802	HF4815T2RPW		1500 / 1125	5120 / 3840	6.3 / 5.4	
03281902	HF4820T2RPW		2000 / 1500	6826 / 5120	8.3 / 7.2	
SINGLE POLE IN-BUILT THERMOSTAT (0° - 110° F TEMPERATURE RANGE)						
03282002	E4875TRPW	120	750	2560	6.25	263
03282102	E4810TRPW		1000	3413	8.33	
03282202	E4815TRPW		1500	5120	12.5	
03282302	F4820TRPW	208	2000	6826	9.6	
NO IN-BUILT THERMOSTAT						
03282402	E4875RPW	120	750	2560	6.25	240
03282502	E4810RPW		1000	3413	8.33	
03282602	E4815RPW		1500	5120	12.5	
03282702	F4820RPW	208	2000	6826	9.6	
03282802	HF4875RPW	240/208	750 / 562	2560 / 1920	3.1 / 2.7	
03282902	HF4810RPW		1000 / 750	3413 / 2560	4.2 / 3.6	
03283002	HF4815RPW		1500 / 1125	5120 / 3840	6.3 / 5.4	
03283102	HF4820RPW		2000 / 1500	6826 / 5120	8.3 / 7.2	

Accessories

MFG CATALOG NUMBER	MFG MODEL NUMBER	DESCRIPTION	WT. (LBS)	LIST
03284502	4300EX8W	1" SEMI RECESSING EXTENDER	2	48
03284602	4300EX16W	2" SEMI RECESSING EXTENDER	3	51
03284702	4300EX32W	4" SURFACE MOUNTING FRAME	4	54
03284802	4300PW	WALL PLATE ADAPTOR (OD 21.5" x 12.25")	1	36
03297702	43T	SINGLE POLE THERMOSTAT 0° - 110° F	1	51
03297902	48T2	DOUBLE POLE THERMOSTAT 40° - 110° F	1	54

3900 Series Hydronic Electric Baseboard Heater



- Permanent mount self contained unit.
- Heating elements are immersed in a heat transferring liquid enclosed by a Copper tube casing with Aluminum fins.
- Powder coated 12 gauge heavy duty extruded Aluminum housing with junction boxes located on each end of the unit.
- Automatic linear limit.
- Wire guard extends along the entire outlet area of the baseboard.
- Commercial Brown unit has in-built wireway.
- Special colors available, consult factory.
- Suitable for high altitude applications.
- 1 Year element warranty.
- Made in U.S.A.

Standard Models

STANDARD WHITE		COMMERCIAL BROWN		WATTS	BTUs	VOLTS	AMPS	HEATER LENGTH (IN.)	WT. (LBS)	WHITE LIST	BROWN LIST
MFG CATALOG NUMBER	MFG MODEL NUMBER	MFG CATALOG NUMBER	MFG MODEL NUMBER								
01114102	E3904-28	01116402	E3904-28C	400	1360	120	3.3	28	16	372	396
01114202	F3904-28	01116502	F3904-28C	400	1360	208	1.92				
01114302	H3904-28	01116602	H3904-28C	400/300	1360/1024	240/208	1.6/1.4				
01114402	G3904-28	01116702	G3904-28C	400/300	1360	277/240	1.4				
01114502	E3906-36	01116802	E3906-36C	600	2048	120	5	36	22	427	453
01114602	F3906-36	01116902	F3906-36C	600	2048	208	2.9				
01114702	H3906-36	01117002	H3906-36C	600/450	2048/1536	240/208	2.5/2.2				
01114802	G3906-36	01117102	G3906-36C	600/450	2048	277/240	2.2				
01114902	E3910-48	01117202	E3910-48C	1000	3413	120	8.3	48	27	497	526
01115002	F3910-48	01117302	F3910-48C	1000	3413	208	4.8				
01115102	H3910-48	01117402	H3910-48C	1000/750	3413/2560	240/208	4.2/3.6				
01115202	G3910-48	01117502	G3910-48C	1000/750	3413	277/240	3.6				
01115302	E3912-60	01117602	E3912-60C	1250	4265	120	10.4	60	33	564	614
01115402	F3912-60	01117702	F3912-60C	1250	4265	208	6				
01115502	H3912-60	01117802	H3912-60C	1250/938	4265/3201	240/208	5.2/4.5				
01115602	G3912-60	01117902	G3912-60C	1250/938	4265	277/240	3.6				
01115702	E3915-72	01118002	E3915-72C	1500	5100	120	12.5	72	41	634	679
01115802	F3915-72	01118102	F3915-72C	1500	5100	208	7.2				
01115902	H3915-72	01118202	H3915-72C	1500/1125	5100/3825	240/208	6.3/5.4				
01116002	G3915-72	01118302	G3915-72C	1500/1125	5100	277/240	5.4				
01116102	F3920-96	01118402	F3920-96C	2000	6826	208	9.6	96	58	753	810
01116202	H3920-96	01118502	H3920-96C	2000/1500	6826/5100	240/208	8.3/7.2				
01116302	G3920-96	01118602	G3920-96C	2000/1500	6826	277/240	7.2				

Product Specifications & Dimensions

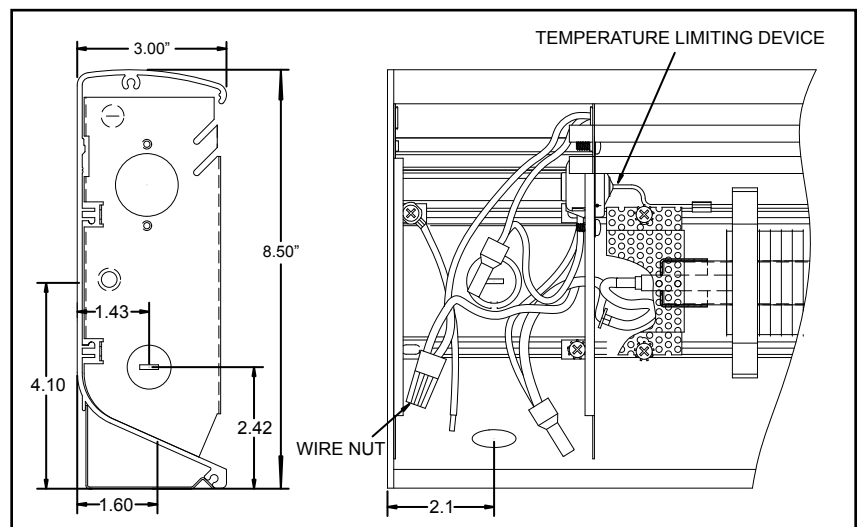
The entire heater casing shall be constructed of 6063 extruded Aluminum. minimum thickness of .100" (12 gauge) Aluminum shall be acceptable. Outlet grill shall cover entire length of air discharge opening and be constructed of steel. All casing and grill construction shall be painted with high quality durable powder coated paint.

The heating element shall be high quality Nichrome wire encased in Magnesium Oxide and sealed in copper tube. The heating element shall be sealed in .312" diameter Copper tube and be immersed in heat transfer liquid. Aluminum fins shall be mechanically bonded to the entire heated length of the element for even heat transfer.

Linear automatic thermal limit shall extend the entire heater length of element and protect heater in case of an over-temperature condition.

Optional controls shall be mounted in junction box enclosures at either end of heater. Optional integral thermostat shall be located in junction box with adjustment knob or for tamper-proof operation. Optional disconnect switch shall be mounted in junction box. Optional 120 Volt or air conditioning receptacle shall be mounted in junction box.

Optional installation accessories shall include inside and outside corner sections for complete wall perimeter fit. Profile of corners and grill shall have appearance of heat sections for continuous architectural design. Corner accessories and heater sections shall be secured by alignment pins for easy alignment of multiple heater applications.



3700 Series Architectural Style Electric Baseboard Heater

- Available in white or brown with stainless steel heating element and aluminum fins.
- Powder coated 12 gauge heavy duty extruded Aluminum housing construction with junction boxes located on each end of the unit.
- An automatic thermal linear limit is used along the entire heated length of the unit.
- Wire guard extends along the entire outlet area of the baseboard.
- Special colors available, consult factory.
- Made in U.S.A.



Standard Models

STANDARD WHITE		COMMERCIAL BROWN		WATTS	BTUs	VOLTS	AMPS	HEATER LENGTH (IN.)	WT. (LBS)	WHITE LIST	BROWN LIST
MFG CATALOG NUMBER	MFG MODEL NUMBER	MFG CATALOG NUMBER	MFG MODEL NUMBER								
01160002	E3703-024	01164302	E3703-024B	375	1275	120	3.1	24	14	318	331
01160102	F3703-024	01164402	F3703-024B	375	1275	208	1.8				
01160202	H3703-024	01164502	H3703-024B	375 / 281	1275 / 955	240 / 208	1.6/1.4				
01160302	G3703-024	01164602	G3703-024B	375 / 281	1275 / 955	277 / 240	1.6/1.2	28	16	352	366
01160402	E3705-028	01164702	E3705-028B	500	1706	120	4.2				
01160502	F3705-028	01164802	F3705-028B	500	1706	208	2.4				
01160602	H3705-028	01164902	H3705-028B	500 / 375	1706 / 1275	240 / 208	2.1/1.8	36	22	406	421
01160702	G3705-028	01165002	G3705-028B	500 / 375	1706 / 1275	277 / 240	1.8/1.6				
01160802	E3706-036	01165102	E3706-036B	600	2040	120	5				
01160902	F3706-036	01165202	F3706-036B	600	2040	208	2.9	40	27	414	428
01161002	H3706-036	01165302	H3706-036B	600 / 450	2040 / 1530	240 / 208	2.5/2.2				
01161102	G3706-036	01165402	G3706-036B	600 / 450	2040 / 1530	277 / 240	2.2/1.9				
01161202	E3707-040	01165502	E3707-040B	750	2550	120	6.3	48	31	428	441
01161302	F3707-040	01165602	F3707-040B	750	2550	208	3.6				
01161402	H3707-040	01165702	H3707-040B	750 / 563	2550 / 1914	240 / 208	3.1/2.7				
01161502	G3707-040	01165802	G3707-040B	750 / 563	2550 / 1914	277 / 240	2.7/2.6	60	33	559	573
01161602	E3710-048	01165902	E3710-048B	1000	3413	120	8.3				
01161702	F3710-048	01166002	F3710-048B	1000	3413	208	4.8				
01161802	H3710-048	01166102	H3710-048B	1000 / 750	3413 / 2550	240 / 208	4.2/3.6	72	41	626	641
01161902	G3710-048	01166202	G3710-048B	1000 / 750	3413 / 2550	277 / 240	3.6/3.1				
01162002	G3707-048	01166302	G3707-048B	750	2550	277	3.4				
01162102	E3712-060	01166402	E3712-060B	1250	4250	120	10.4	84	49	702	716
01162202	F3712-060	01166502	F3712-060B	1250	4250	208	6				
01162302	H3712-060	01166602	H3712-060B	1250 / 938	4250 / 3189	240 / 208	5.2/4.5				
01162402	G3712-060	01166702	G3712-060B	1250 / 938	4250 / 3189	277 / 240	4.5/3.9	96	58	741	764
01162502	G3709-060	01166802	G3709-060B	938	3189	277	3.4				
01162602	E3715-072	01166902	E3715-072B	1500	5100	120	12.5				
01162702	F3715-072	01167002	F3715-072B	1500	5100	208	7.2	120	67	834	846
01162802	H3715-072	01167102	H3715-072B	1500 / 1125	5100 / 3825	240 / 208	6.3/4.7				
01162902	G3715-072	01167202	G3715-072B	1500 / 1125	5100 / 3825	277 / 240	5.4/4.7				
01163002	G3711-072	01167302	G3711-072B	1125	3825	277	4.1	84	49	702	716
01163102	F3717-084	01167402	F3717-084B	1750	5950	208	8.4				
01163202	H3717-084	01167502	H3717-084B	1750 / 1313	5950 / 4464	240 / 208	7.3/6.3				
01163302	G3717-084	01167602	G3717-084B	1750 / 1313	5950 / 4464	277 / 240	6.3/5.5	96	58	741	764
01163402	G3713-084	01167702	G3713-084B	1313	4464	277	4.7				
01163502	F3720-096	01167802	F3720-096B	2000	6826	208	9.6				
01163602	H3720-096	01167902	H3720-096B	2000 / 1500	6826 / 5100	240 / 208	8.3/7.2	120	67	834	846
01163702	G3720-096	01168002	G3720-096B	2000 / 1500	6826 / 5100	277 / 240	7.2/6.3				
01163802	G3715-096	01168102	G3715-096B	1500	5100	277	5.4				
01163902	F3725-120	01168202	F3725-120B	2500	8532	208	12	120	67	834	846
01164002	H3725-120	01168302	H3725-120B	2500 / 1875	8532 / 6375	240 / 208	10.4/9.0				
01164102	G3725-120	01168402	G3725-120B	2500 / 1875	8532 / 6375	277 / 240	9.0/7.8				
01164202	G3718-120	01168502	G3718-120B	1875	6375	277	6.8				

Note: Refer to 3900 Series for product dimension specifications.
 Note: Please see page 60 for custom color availability - add 10% to net heater cost.

Product Specifications

- The entire heater casing shall be constructed of 6063 extruded Aluminum. Minimum thickness of .100" (12 gauge) Aluminum shall be acceptable. Outlet grill shall cover entire length of air discharge opening and be constructed of steel. All casing and grill construction shall be painted with high quality durable powder coated paint.
- The heating element shall be high quality nichrome wire encased in Magnesium Oxide and sealed in a stainless steel tube.
- Linear automatic thermal limit shall extend the entire heater length of element and protect heater in case of an over-temperature condition.
- Optional controls shall be mounted in junction box enclosures at either end of heater. Optional integral thermostat shall be located in junction box with adjustment knob or for tamper-proof operation. Optional disconnect switch shall be mounted in junction box. Optional 120 Volt or air conditioning receptacle shall be mounted in junction box.
- Optional installation accessories shall include inside and outside corner sections for complete wall perimeter fit. Profile of corners and grill shall have appearance of heat sections for continuous architectural design. Corner accessories and heater sections shall be secured by alignment pins for easy alignment of multiple heater applications.

Field Installed Accessories

DESCRIPTION	Standard White		Commercial Brown		LIST
	MFG CATALOG NUMBER	MFG MODEL NUMBER	MFG CATALOG NUMBER	MFG MODEL NUMBER	
Single Pole, In-Built T-Stat, 22A @ 120-240V; 18A @ 277V; 0°-110° F	01118702	3900T1	01119502	3900T1C	67
Double Pole, In-Built T-Stat, 22A @ 120-240V; 18A @ 277V; 0°-110° F	01118802	3900T2	01119602	3900T2C	86
Air Conditioning Receptacle Section, 20 Amp @ 125-277V	01118902	3900AC	01119902	3900ACC	79
120V. Receptacle Section, 15 Amp	01119002	3900REC	01120002	3900RECC	74
Disconnect Switch, 20 Amp @ 125-277VAC; DPST	01119402	3900DS	01120402	3900DSC	108

Baseboard Sections



OUTSIDE CORNER

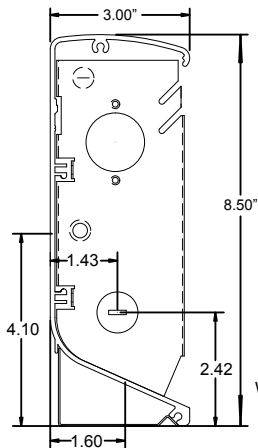


INSIDE CORNER

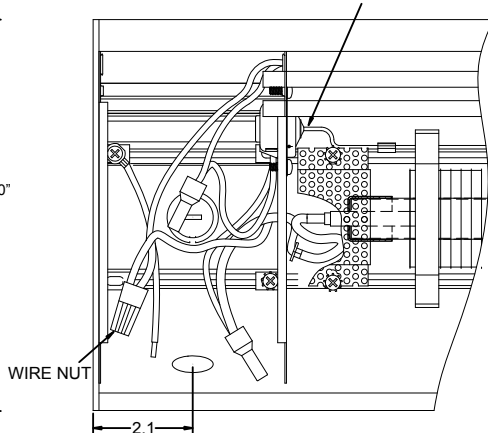
Outside and inside corner sections are 6" on longest side

STANDARD WHITE		COMMERCIAL BROWN		DESCRIPTION		LIST
MFG CATALOG NUMBER	MFG MODEL NUMBER	MFG CATALOG NUMBER	MFG MODEL NUMBER	SECTION	SIZE	
01121502	39BS28	0112215	39BS28C	Blank Section	28"	233
01121602	39BS36	0112222	39BS36C		36"	278
01121702	39BS48	0112239	39BS48C		48"	343
01121802	39BS60	0112246	39BS60C		60"	411
01121902	39BS72	0112253	39BS72C		72"	474
01122002	39BS96	0112260	39BS96C		96"	610
01150902	39BS120	0115100	39BS120C		120"	813
01119102	3900-ICS	0112017	3900-ICSC	Inside Corner	-	134
01119202	3900-OCS	0112024	3900-OCSC	Outside Corner	-	136
01119302	3900-CS	01120302	3900-CSC	Control Section	4" Blank	170

Dimension



TEMPERATURE LIMITING DEVICE



Wireway Covers (White Units Only)

MFG CATALOG NUMBER	MFG MODEL NUMBER	LENGTH	WT. (LBS)	LIST
01122802	3900WW28	28"	2	52
01122902	3900WW36	36"	2.5	57
01123002	3900WW48	48"	3.5	68
01123102	3900WW60	60"	4.5	75
01123202	3900WW72	72"	5.5	80
01123302	3900WW96	96"	7.5	105
01151102	3900WW120	120"	7.5	141

2900HA Series Electric Baseboard - High Altitude Convection Heater



Features

- Available in white or ivory with Aluminum heating element and Aluminum fins.
- Painted 22 gauge steel front with 20 gauge junction boxes located on each end of the heater - junction boxes contain quick connect cable clamps and 6" ground lead wires.
- Over-temperature thermal limit extends entire length of heated area.
- A full length wireway provided along the back of the heater.
- Optional enclosed conduit wireway available.
- Heater can be mounted to the wall by using the key hole knockouts every 4" at the back of the heater.
- Optional In-Built thermostats field installed in the junction box.
- Ivory available with extended lead times, consult factory.
- Made in U.S.A. • Height: 6" Depth: 2 1/2"

Standard Models

WHITE		WATTS	BTUs	VOLTS	AMPS	HEATER LENGTH (IN)	WT. (LBS)	LIST
MFG CATALOG NUMBER	MFG MODEL NUMBER							
01012202	E2903-024HAW	375	1275	120	3.1	24	5	66
01012302	F2903-024HAW	375	1275	208	1.8			
01012402	H2903-024HAW	375 / 281	1275 / 955	240 / 208	1.6/1.4			
01012502	G2903-024HAW	375 / 281	1275 / 955	277 / 240	1.6/1.2	28	6	68
01012602	E2905-028HAW	500	1706	120	4.2			
01012702	F2905-028HAW	500	1706	208	2.4			
01012802	H2905-028HAW	500 / 375	1706 / 1275	240 / 208	2.1/1.8	36	7	77
01012902	G2905-028HAW	500 / 375	1706 / 1275	277 / 240	1.8/1.6			
01013002	E2906-036HAW	600	2040	120	5			
01013102	F2906-036HAW	600	2040	208	2.9	40	8	80
01013202	H2906-036HAW	600 / 450	2040 / 1530	240 / 208	2.5/2.2			
01013302	G2906-036HAW	600 / 450	2040 / 1530	277 / 240	2.2/1.9			
01013402	E2907-040HAW	750	2550	120	6.3	48	10	95
01013502	F2907-040HAW	750	2550	208	3.6			
01013602	H2907-040HAW	750 / 563	2550 / 1914	240 / 208	3.1/2.7			
01013702	G2907-040HAW	750 / 563	2550 / 1914	277 / 240	2.7/2.6	60	12	119
01013802	E2910-048HAW	1000	3413	120	8.3			
01013902	F2910-048HAW	1000	3413	208	4.8			
01014002	H2910-048HAW	1000 / 750	3413 / 2550	240 / 208	4.2/3.6	72	14	133
01014102	G2910-048HAW	1000 / 750	3413 / 2550	277 / 240	3.6/3.1			
01014202	G2907-048HAW	750	2550	277	3.4			
01014302	E2912-060HAW	1250	4250	120	10.4	96	18	163
01014402	F2912-060HAW	1250	4250	208	6			
01014502	H2912-060HAW	1250 / 938	4250 / 3189	240 / 208	5.2/4.5			
01014602	G2912-060HAW	1250 / 938	4250 / 3189	277 / 240	4.5/3.9	120	22	181
01014702	G2909-060HAW	938	3189	277	3.4			
01014802	E2915-072HAW	1500	5100	120	12.5			
01014902	F2915-072HAW	1500	5100	208	7.2	96	18	163
01015002	H2915-072HAW	1500 / 1125	5100 / 3825	240 / 208	6.3/4.7			
01015102	G2915-072HAW	1500 / 1125	5100 / 3825	277 / 240	5.4/4.7			
01015202	G2911-072HAW	1125	3825	277	4.1	120	22	181
01015702	F2920-096HAW	2000	6826	208	9.6			
01015802	H2920-096HAW	2000 / 1500	6826 / 5100	240 / 208	8.3/7.2			
01015902	G2920-096HAW	2000 / 1500	6826 / 5100	277 / 240	7.2/6.3	120	22	181
01016002	G2915-096HAW	1500	5100	277	5.4			
01016502	F2925-120HAW	2500	8532	208	12			
01016602	H2925-120HAW	2500 / 1875	8532 / 6375	240 / 208	10.4/9.0	120	22	181
01016702	G2925-120HAW	2500 / 1875	8532 / 6375	277 / 240	9.0/7.8			
01016802	G2918-120HAW	1875	6375	277	6.8			

2900A Series - International Models

WHITE		WATTS	BTU's	VOLTS	HEATER LENGTH (IN)	WT. (LBS)	LIST
MFG CATALOG NUMBER	MFG MODEL NUMBER						
01157602	M2903-24AWi	375	1275	220	24"	10	87
01157702	H2903-24AWi			240			
01157802	M2905-28AWi	500	1706	220	28"	11	90
01159702	H2905-28AWi			240			
01158002	M2906-36AWi	600	2040	220	36"	11.5	99
01158102	H2906-36AWi			240			
01158202	M2907-40AWi	750	2550	220	40"	13	103
01158302	H2907-40AWi			240			
01158402	M2910-48AWi	1000	3413	220	48"	14	124
01158502	H2910-48AWi			240			
01158602	M2912-60AWi	1250	4250	220	60"	16	155
01158702	H2912-60AWi			240			
01158802	M2915-72AWi	1500	5100	220	72"	19	174
01158902	H2915-72AWi			240			
01159002	M2917-84AWi	1750	5950	220	80"	22	212
01180002	H2917-84AWi			240			
01180302	M2925-120AWi	2500	8532	220	120"	31	234
01180402	H2920-120AWi			240			

Note: Wireway length is the same as baseboard length.



Features

- Available in white or ivory with stainless steel heating element and Aluminum fins.
- Painted 22 gauge steel front with 20 gauge junction boxes located on each end of the heater - junction boxes contain quick connect cable clamps and 6" ground lead wires.
- Over-temperature thermal limit extends entire length of heated area.
- A full length wireway provided along the back of the heater - enclosed conduit available.
- Heater can be mounted to the wall by using the key hole knockouts every 4" at the back of the heater.
- Optional In-Built thermostats field installed in the junction box.
- Height: 6" Depth: 2 1/2"
- Made in U.S.A.

Standard Models

IVORY		WHITE		WATTS	BTUs	VOLTS	AMPS	HEATER LENGTH (IN)	WT. (LBS)	LIST
MFG CATALOG NUMBER	MFG MODEL NUMBER	MFG CATALOG NUMBER	MFG MODEL NUMBER							
01043002	E2903-024S	01049902	E2903-024SW	375	1275	120	3.1	24	5	64
01043102	F2903-024S	01050002	F2903-024SW	375	1275	208	1.8			
01043202	H2903-024S	01050102	H2903-024SW	375 / 281	1275 / 955	240 / 208	1.6/1.4			
01043302	G2903-024S	01050202	G2903-024SW	375 / 281	1275 / 955	277 / 240	1.6/1.2			
01043402	E2905-028S	01050302	E2905-028SW	500	1706	120	4.2	28	6	66
01043502	F2905-028S	01050402	F2905-028SW	500	1706	208	2.4			
01043602	H2905-028S	01050502	H2905-028SW	500 / 375	1706 / 1275	240 / 208	2.1/1.8			
01043702	G2905-028S	01050602	G2905-028SW	500 / 375	1706 / 1275	277 / 240	1.8/1.6			
01043802	E2906-036S	01050702	E2906-036SW	600	2040	120	5	36	7	76
01043902	F2906-036S	01050802	F2906-036SW	600	2040	208	2.9			
01044002	H2906-036S	01050902	H2906-036SW	600 / 450	2040 / 1530	240 / 208	2.5/2.2			
01044102	G2906-036S	01051002	G2906-036SW	600 / 450	2040 / 1530	277 / 240	2.2/1.9			
01044202	E2907-040S	01051102	E2907-040SW	750	2550	120	6.3	40	8	78
01044302	F2907-040S	01051202	F2907-040SW	750	2550	208	3.6			
01044402	H2907-040S	01051302	H2907-040SW	750 / 563	2550 / 1914	240 / 208	3.1/2.7			
01044502	G2907-040S	01051402	G2907-040SW	750 / 563	2550 / 1914	277 / 240	2.7/2.6			
01044602	E2910-048S	01051502	E2910-048SW	1000	3413	120	8.3	48	10	93
01044702	F2910-048S	01051602	F2910-048SW	1000	3413	208	4.8			
01044802	H2910-048S	01051702	H2910-048SW	1000 / 750	3413 / 2550	240 / 208	4.2/3.6			
01044902	G2910-048S	01051802	G2910-048SW	1000 / 750	3413 / 2550	277 / 240	3.6/3.1			
01045002	G2907-048S	01051902	G2907-048SW	750	2550	277	3.4	60	12	115
01045102	E2912-060S	01052002	E2912-060SW	1250	4250	120	10.4			
01030002	F2912-060S	01052102	F2912-060SW	1250	4250	208	6			
01030102	H2912-060S	01052202	H2912-060SW	1250 / 938	4250 / 3189	240 / 208	5.2/4.5			
01030202	G2912-060S	01052302	G2912-060SW	1250 / 938	4250 / 3189	277 / 240	4.5/3.9	72	14	131
01030302	G2909-060S	01052402	G2909-060SW	938	3189	277	3.4			
01030402	E2915-072S	01052502	E2915-072SW	1500	5100	120	12.5			
01030502	F2915-072S	01052602	F2915-072SW	1500	5100	208	7.2			
01030602	H2915-072S	01052702	H2915-072SW	1500 / 1125	5100 / 3825	240 / 208	6.3/4.7	84	16	145
01030702	G2915-072S	01052802	G2915-072SW	1500 / 1125	5100 / 3825	277 / 240	5.4/4.7			
01030802	G2911-072S	01052902	G2911-072SW	1125	3825	277	4.1			
01030902	F2917-084S	01053002	F2917-084SW	1750	5950	208	8.4			
01031002	H2917-084S	01053102	H2917-084SW	1750 / 1313	5950 / 4464	240 / 208	7.3/6.3	96	18	160
01031102	G2917-084S	01053202	G2917-084SW	1750 / 1313	5950 / 4464	277 / 240	6.3/5.5			
01031202	G2913-084S	01053302	G2913-084SW	1313	4464	277	4.7			
01031302	F2920-096S	01053402	F2920-096SW	2000	6826	208	9.6			
01031402	H2920-096S	01053502	H2920-096SW	2000 / 1500	6826 / 5100	240 / 208	8.3/7.2	120	22	175
01031502	G2920-096S	01053602	G2920-096SW	2000 / 1500	6826 / 5100	277 / 240	7.2/6.3			
01031602	G2915-096S	01053702	G2915-096SW	1500	5100	277	5.4			
01032102	F2925-120S	01054202	F2925-120SW	2500	8532	208	12			
01032202	H2925-120S	01054302	H2925-120SW	2500 / 1875	8532 / 6375	240 / 208	10.4/9.0	120	22	175
01032302	G2925-120S	01054402	G2925-120SW	2500 / 1875	8532 / 6375	277 / 240	9.0/7.8			
01032402	G2918-120S	01054502	G2918-120SW	1875	6375	277	6.8			

2900C Series Electric Baseboard - Heavy Duty Commercial Convection Heater



Features

- Bankers bronze with stainless steel heating element and Aluminum fins.
- Powder coated 22 gauge steel front with 20 gauge junction boxes located on each end of the heater - junction boxes contain quick connect cable clamps and 6" ground lead wires.
- Standard inlet and outlet wire guards.
- Over-temperature thermal limit extends entire heated length of unit.
- A full length wireway provided along the back of the heater.
- Heater can be mounted to the wall by using the key hole knockouts every 4" at the back of the heater.
- Optional In-Built thermostats field installed in the junction box.
- Made in U.S.A. • Height: 6" Depth: 2 1/2"

Standard Models

MFG CATALOG NUMBER	MFG MODEL NUMBER	WATTS	BTUs	VOLTS	AMPS	HEATER LENGTH (IN)	WT. (LBS)	LIST
01038302	E2903-024C	375	1275	120	3.1	24	5	147
01038402	F2903-024C	375	1275	208	1.8			
01038502	H2903-024C	375 / 281	1275 / 955	240 / 208	1.6 / 1.4			
01038602	G2903-024C	375 / 281	1275 / 955	277 / 240	1.6 / 1.2	28	6	183
01038702	E2905-028C	500	1706	120	4.2			
01038802	F2905-028C	500	1706	208	2.4			
01038902	H2905-028C	500 / 375	1706 / 1275	240 / 208	2.1 / 1.8	36	7	208
01039002	G2905-028C	500 / 375	1706 / 1275	277 / 240	1.8 / 1.6			
01039102	E2906-036C	600	2040	120	5.0			
01039202	F2906-036C	600	2040	208	2.9	40	8	218
01039302	H2906-036C	600 / 450	2040 / 1530	240 / 208	2.5 / 2.2			
01039402	G2906-036C	600 / 450	2040 / 1530	277 / 240	2.2 / 1.9			
01039502	E2907-040C	750	2550	120	6.3	48	10	252
01039602	F2907-040C	750	2550	208	3.6			
01039702	H2907-040C	750 / 563	2550 / 1914	240 / 208	3.1 / 2.7			
01039802	G2907-040C	750 / 563	2550 / 1914	277 / 240	2.7 / 2.6	60	12	300
01039902	E2910-048C	1000	3413	120	8.3			
01040002	F2910-048C	1000	3413	208	4.8			
01040102	H2910-048C	1000 / 750	3413 / 2550	240 / 208	4.2 / 3.6	72	14	345
01040202	G2910-048C	1000 / 750	3413 / 2550	277 / 240	3.6 / 3.1			
01040302	G2907-048C	750	2550	277	3.4			
01040402	E2912-060C	1250	4250	120	10.4	84	16	383
01040502	F2912-060C	1250	4250	208	6.0			
01040602	H2912-060C	1250 / 938	4250 / 3189	240 / 208	5.2 / 4.5			
01040702	G2912-060C	1250 / 938	4250 / 3189	277 / 240	4.5 / 3.9	96	18	423
01040802	G2909-060C	938	3189	277	3.4			
01040902	E2915-072C	1500	5100	120	12.5			
01041002	F2915-072C	1500	5100	208	7.2	120	22	444
01041102	H2915-072C	1500 / 1125	5100 / 3825	240 / 208	6.3 / 4.7			
01041202	G2915-072C	1500 / 1125	5100 / 3825	277 / 240	5.4 / 4.7			
01041302	G2911-072C	1125	3825	277	4.1	120	22	444
01041402	F2917-084C	1750	5950	208	8.4			
01041502	H2917-084C	1750 / 1313	5950 / 4464	240 / 208	7.3 / 6.3			
01041602	G2917-084C	1750 / 1313	5950 / 4464	277 / 240	6.3 / 5.5	96	18	423
01041702	G2913-084C	1313	4464	277	4.7			
01041802	F2920-096C	2000	6826	208	9.6			
01041902	H2920-096C	2000 / 1500	6826 / 5100	240 / 208	8.3 / 7.2	120	22	444
01042002	G2920-096C	2000 / 1500	6826 / 5100	277 / 240	7.2 / 6.3			
01042102	G2915-096C	1500	5100	277	5.4			
01042602	F2925-120C	2500	8532	208	12.0	120	22	444
01042702	H2925-120C	2500 / 1875	8532 / 6375	240 / 208	10.4 / 9.0			
01042802	G2925-120C	2500 / 1875	8532 / 6375	277 / 240	9.0 / 7.8			
01042902	G2918-120C	1875	6375	277	6.8			

International Models

MFG CATALOG NUMBER	MFG MODEL NUMBER	WATTS	BTUs	VOLTS	AMPS	HEATER LENGTH (IN)	WT. (LBS)	LIST
01180502	M2903-024CI	375	1275	220	1.7	24	5	147
01180602	H2903-024CI			240	240			
01180702	M2905-028CI	500	1706	220	2.3	28	6	183
01180802	H2905-028CI			240	2.1			
01180902	M2906-036CI	600	2040	220	2.7	36	7	208
01181002	H2906-036CI			240	2.5			
01181102	M2907-040CI	750	2550	220	3.4	40	8	218
01181202	H2907-040CI			240	3.1			
01181302	M2910-048CI	1000	3413	220	4.6	48	10	252
01181402	H2910-048CI			240	4.2			
01181502	M2912-060CI	1250	4250	220	5.7	60	12	300
01181602	H2912-060CI			240	5.2			
01181702	M2915-072CI	1500	5100	220	6.8	72	14	345
01181802	H2915-072CI			240	6.3			
01181902	M2917-084CI	1750	5950	220	8.0	84	16	383
01182002	H2917-084CI			240	7.3			
01182102	M2920-096CI	2000	6826	220	9.1	96	18	423
01182202	H2920-096CI			240	8.3			
01182302	M2925-120CI	2500	8532	220	11.4	120	22	444
01182402	H2925-120CI			240	10.4			

In-Built Thermostat Kits

IVORY & WHITE		DESCRIPTION	WT. (LBS)	LIST
MFG CATALOG NUMBER	MFG MODEL NUMBER			
01054602C	TBS	SPST-In-Built 22A @ 120-240V 18A @ 277V (0°-110F°)	½	44
01054702C	TBD	DPST-In-Built 22A @ 120-240V 18A @ 277V (0°-110F°)	½	57

*Junction box covers supplied with baseboard heater will work in conjunction with in-built thermostat kits.

Field Installed Accessories

DESCRIPTION	IVORY		WHITE		BANKERS BRONZE		WT. (LBS)	LIST
	MFG CATALOG NUMBER	MFG MODEL NUMBER	MFG CATALOG NUMBER	MFG MODEL NUMBER	MFG CATALOG NUMBER	MFG MODEL NUMBER		
Disconnect Switch, 20 Amp, 120-277V	01061002	DS	01061102	DSW	01061202	DSB	1	85
Corner Sections	01054902	CS	01055002	CSW	01055102	CSB		38
1" Joiner Kits	01055202	JK	01055302	JKW	01055402	JKB	¼	26
6" Blank Relay Section (Relay Not Included)**	01055502	LVRS	01055602	LVRSW	01055702	LVRSB	1 ½	103
Receptacle Section (Baseboard Mounted) 15 Amp 120 VAC	01055802	BDR115	01055902	BDR115W	01056002	BDR115B	¼	26
Receptacle Section (Mounted in 6" Blank) 15 Amp 120 VAC	01056102	DR115	01056202	DR115W	01056302	DR115B	2	120
Transfer Switch (Mounted in 6" Blank) 16 Amp 120 VAC	01056402	SR120	01056502	SR120W	01056602	SR120B		151
Transfer Switch (Mounted in 6" Blank) 16 Amp 240 VAC	01056702	SR220	01056802	SR220W	01056902	SR220B		184

**Not for use with 24A06G-1 relay.

Optional Wireway Covers

Blank Sections

MFG CATALOG NUMBER	MFG MODEL NUMBER	LENGTH (in.)	COVER LENGTH (in.)	WT. (LBS)	LIST	IVORY		WHITE		BANKERS BRONZE		WT. (LBS)	IVORY WHITE LIST	BRONZE LIST	
						LENGTH	MFG CATALOG NUMBER	MFG MODEL NUMBER	MFG CATALOG NUMBER	MFG MODEL NUMBER	MFG CATALOG NUMBER				MFG MODEL NUMBER
01057002	WWA01	24"	20	1	37	24"	01058002	BBS024A	01059002	BBS024AW	01060002	BBS024C	5	57	117
01057102	WWA02	28"	24	1.5	40	28"	01058102	BBS028A	01059102	BBS028AW	01060102	BBS028C	5 ½	62	127
01057202	WWA03	36"	32	2	43	36"	01058202	BBS036A	01059202	BBS036AW	01060202	BBS036C	6	76	147
01057302	WWA04	40"	36	2.5	50	40"	01058302	BBS040A	01059302	BBS040AW	01060302	BBS040C	7	81	155
01057402	WWA05	48"	44	3	52	48"	01058402	BBS048A	01059402	BBS048AW	01060402	BBS048C	8	91	159
01057502	WWA06	60"	56	4	55	60"	01058502	BBS060A	01059502	BBS060AW	01060502	BBS060C	10	109	220
01057602	WWA07	72"	68	5	62	72"	01058602	BBS072A	01059602	BBS072AW	01060602	BBS072C	12	130	242
01057702	WWA08	84"	80	6	72	84"	01058702	BBS084A	01059702	BBS084AW	01060702	BBS084C	15	137	274
01057802	WWA09	96"	92	7	82	96"	01058802	BBS096A	01059802	BBS096AW	01060802	BBS096C	17	160	307
01057902	WWA00	120"	116	8	99	120"	01058902	BBS120A	01059902	BBS120AW	01060902	BBS120C	20	195	387

9100 Series - Radius Front Draft Barrier Heater

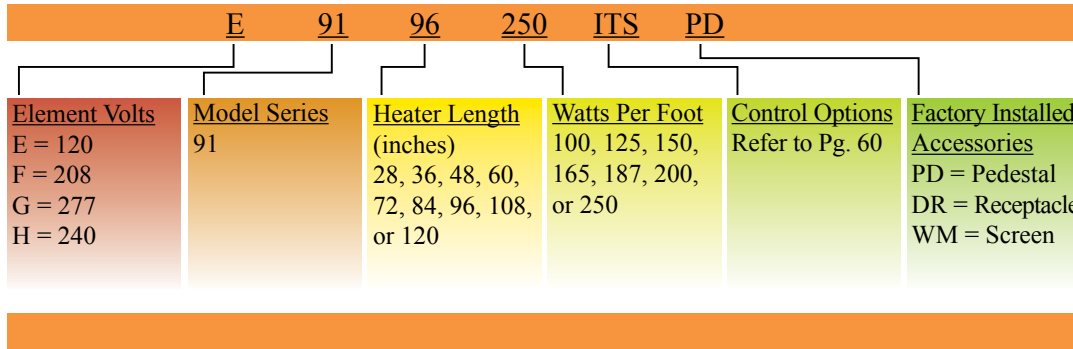
ETL listed up to 250 Watts / foot for industrial, commercial, or residential applications.



Features

- Standard color: Bankers Bronze.
- “UNI-LOCK” construction allows snap-fit, 2 piece installation.
- Units can be controlled by optional In-Built thermostat or can be constructed with relays and / or transformers for low voltage or line voltage wall thermostats
- Thermal protection by full length manual reset linear limits
- Optional duplex receptacle section
- Wiring junction boxes on each end of the unit
- Custom colors and finishes available (consult factory)
- Limited by max Amp draw of 25 Amps (with no controls).
- Additional charges may be incurred if changes are made after production has begun - consult factory.
- Made in U.S.A.

HOW TO DESIGNATE A MODEL:



Product Description

TECHNICAL INFORMATION	
Air Intake	Bottom
Air Discharge	Top
Min Mounting Height	3"
Max Watts / Foot	250
Max Allowable Amps	25 Amps (20 Amps with disconnect)
Voltage / Phase	120V/208V/240V/277V Single Phase

TECHNICAL INFORMATION	
Height	4 1/2"
Depth	3 1/8"
Length	28" to 120" in 1' increments
Cabinet Material	Aluminum
Gauge	14
Optional Controls That Can Be Built Into Unit	Thermostat and Disconnect Switch (Control Section Required for Relays)

Standard Models

MFG MODEL	UNIT LENGTH	LIST	FINISHED BACK ADDER
9128	28"	317	43
9136	36"	365	50
9148	48"	419	53
9160	60"	488	59
9172	72"	557	63
9184	84"	642	75
9196	96"	701	82
91108	108"	773	95
91120	120"	846	107

Factory Installed Accessories

SUFFIX	DESCRIPTION	LIST
DR	Duplex Receptacle in 4" Extended Enclosure (not available with 120" heater)	203
PD	28" through 60" - 2 Required	135
	72" through 96" - 3 Required	202
	108" through 120" - 4 Required	269
WM	1/4" wire mesh under grill	\$8.00 Per foot

Field Installed Accessories

MFG MODEL	DESCRIPTION	LIST
9100IC	Inside Corner Section 90° or 135°	195
9100OC	Outside Corner Section 90° or 135°	
9100EC	Right or Left End Cap	67
9100SP	Splice Plate	50

Note: All models are suitable for International use
 Note: Extended enclosure per foot is 34 dollars.

CABINET

9100 Series shall be constructed of 14 gauge extruded 6063 Aluminum heat treated to T5 hardness. The uni-lock construction shall allow easy installation and access to back plate for wiring. The snap-fit front cover makes installation and service very simple. Custom factory enclosures to $\frac{1}{16}$ inch increments are built for exact wall to wall fit up to 10 foot enclosure lengths. The 14 gauge back plate will have electrical knockouts for incoming power on each end adjacent to junction box. Pedestal mounted units will have incoming power connection through the pedestal on bottom of unit and will have smooth back for optional finished back. The die punched front cover will have no screw heads or fasteners.

ELEMENTS

High mass sheathed element construction with Nickel-Chromium resistance wire embedded in compacted efficient die-electric to ensure proper heat transfer. Aluminum fins mechanically bonded to stainless steel tube allows for increased surface area and even heat transfer.

LIMIT CONTROLS

Manual reset hydraulic thermal overload covers full length of heating element and shuts down heater when safe operating temperatures are exceeded.

WIRING

Wiring shall be in either end of the enclosure. Wiring can be in the junction box or optional control section if additional controls are needed. Pedestal mounted units shall have $1\frac{1}{4}$ " hole through the pedestal and in the bottom of the enclosure for incoming power wiring. All heaters have a factory supplied built in raceway for wiring from either end of the heater or for wiring of continuous heater connections.

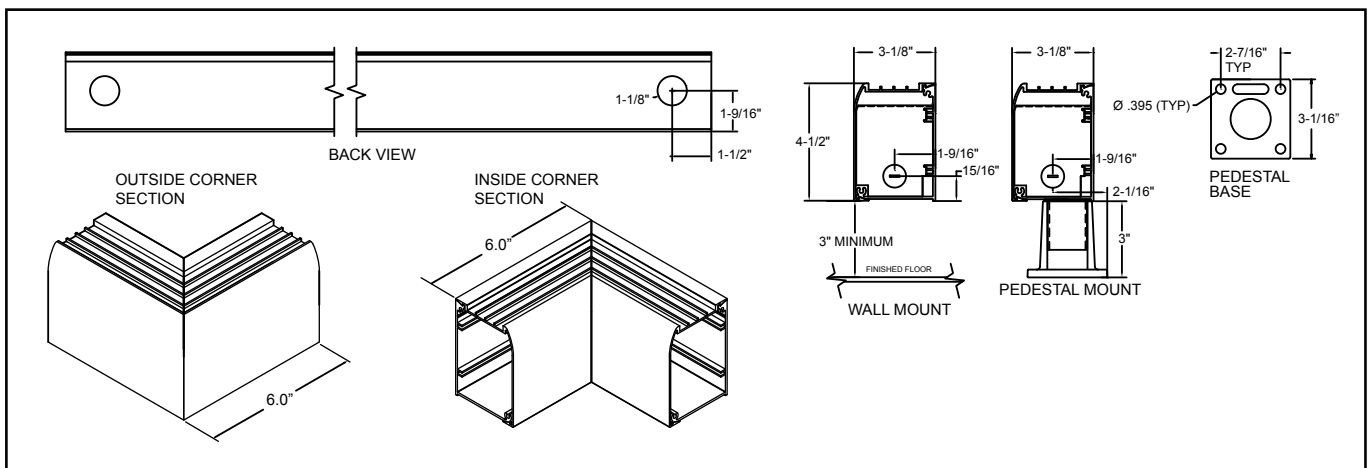
CONTROLS

Optional controls include single or double pole thermostat and disconnect switch that are factory wired in enclosed junction box on each end of heater enclosure. Relay, transformer relay and duplex receptacle options shall be mounted in extended length control section. **Control section will add to heater enclosure length.** The control section for the duplex receptacle will add 4" to enclosure length. The control section for other optional components or combinations of components will have two options (6" or 12") depending on controls required.

APPLICATION

The 9100 series is ETL listed for commercial, industrial or residential applications on all units up to 250 Watts per foot.

Product Dimensions



9300 Series - Radius Front Draft Barrier Heater

ETL listed up to 750 Watts / foot for industrial or commercial applications.



Features

- LEED and green compliance, 1 and 3 phase applications
- Industrial or commercial applications
- Standard color: Bankers Bronze (powder coated)
- Also available in other standard TPI colors and custom colors for an additional charge
- Uni-lock construction for snap fit 2 piece installation
- Temperature control can be in-built or wall mounted
- Thermal protection by full length manual reset linear limits
- Optional accessories include: duplex receptacle, and inside or outside corner sections for wall to wall custom fit.
- Additional charges may be incurred if changes are made after production has begun - consult factory.
- Made in U.S.A.

HOW TO DESIGNATE A MODEL:

E		93	96	B	561	3	ITS	PD
Element Volts	Single Phase	93	Heater Length (inches) 28, 36, 48, 60, 72, 84, 96, 108, or 120	Inlet B = Bottom F = Front	Watts Per Foot 1 Element 100, 125, 150, 165, 187, 200, or 250 2 Elements 200, 250, 300, 330, 374, 500, or 500 3 Elements 300, 375, 450, 495, 561, 600, or 750	# of Elements 1, 2, or 3	Control Options Refer to Pg. 60 of TPI Heat catalog.	Factory Installed Accessories PD = Pedestal DR = Receptacle WM = Screen
F = 208								
H = 240								
G = 277								
L = 347								
P1 = 480								
U1 = 600	Three Phase	93	Heater Length (inches) 28, 36, 48, 60, 72, 84, 96, 108, or 120	Inlet B = Bottom F = Front	Watts Per Foot 1 Element 100, 125, 150, 165, 187, 200, or 250 2 Elements 200, 250, 300, 330, 374, 500, or 500 3 Elements 300, 375, 450, 495, 561, 600, or 750	# of Elements 1, 2, or 3	Control Options Refer to Pg. 60 of TPI Heat catalog.	Factory Installed Accessories PD = Pedestal DR = Receptacle WM = Screen
J = 208								
K = 240								
P3 = 480								
U3 = 600								

Note: 480V single phase units minimum 36" heated length; 600V single phase units minimum 48" heated length
347-480-600 single phase and all three phase units are built with low voltage option factory installed

Product Description

TECHNICAL INFORMATION	
Air Intake	Bottom / Front
Air Discharge	Top
Min Mounting Height	3" for bottom intake / 0" for front intake
Max Watts / Foot	750
Max Allowable Amps	25 without relay, 40 with relay
Voltage / Phase	208V/240V/277V/347V,480V,600V Single Phase 208V,240V,480V,600V Three Phase

TECHNICAL INFORMATION	
Height	7.5"
Depth	6.15"
Length	28" to 120" in 1' increments
Cabinet Material	Aluminum
Material Gauge	12
Optional Controls That Can Be Built Into Unit	Thermostat, Disconnect Switch, Transformer (Control Section Required for Relays)

Standard Models

MFG MODEL	UNIT LENGTH	LIST	FINISHED BACK ADDER	MFG MODEL	UNIT LENGTH	LIST	FINISHED BACK ADDER		
Heater	9328	28"	824	65	Blank Section	93BS012	12"	338	60
	9336	36"	867	72		93BS024	24"	397	65
	9348	48"	977	77		93BS036	36"	445	72
	9360	60"	1085	82		93BS048	48"	515	77
	9372	72"	1164	87		93BS060	60"	576	82
	9384	84"	1246	93		93BS072	72"	623	87
	9396	96"	1314	98		93BS084	84"	683	93
	93108	108"	1378	103		93BS096	96"	743	98
	93120	120"	1467	109		93BS108	108"	803	103
						93BS120	120"	862	109

Factory Installed Accessories

SUFFIX	DESCRIPTION	LIST
DR	Duplex Receptacle in 4" Extended Enclosure (not available with 120" heater)	151
PD	28" through 60" - 2 Required	151
	72" through 96" - 3 Required	228
	108" through 120" - 4 Required	301
WM	1/4" wire mesh under grill	\$6.00 / foot
IDS30	30 Amp/240V Disconnect Switch	77
IDS40	40 Amp/600V Disconnect Switch	77

Note: If using line voltage thermostat on 1 phase heaters, you cannot exceed 25 Amps due to Amp rating of thermostat. 347, 480, and 600V can use 30 Amps with in-built thermostat.

Field Installed Accessories

MFG MODEL	DESCRIPTION	LIST
9300IC	Inside Corner Section 90° or 135°	243
9300OC	Outside Corner Section 90° or 135°	
9300EC	Right or Left End Cap	93
9300SP	Splice Plate	50

Note: All models are suitable for International use Note: Extended enclosure per foot is 103 dollars.

CABINET

9300 Series shall be constructed of 12 gauge extruded 6063 Aluminum heat treated to T5 hardness. The uni-lock construction shall allow easy installation and access to back plate for wiring. The snap-fit front cover makes installation and service very simple. Custom factory enclosures to 1/16 inch increments are built for exact wall to wall fit up to 10 foot enclosure lengths. The 12 gauge back plate will have electrical knockouts for incoming power on each end adjacent to junction box. Pedestal mounted units will have incoming power connection through the pedestal on bottom of unit and will have smooth back for optional finished back. The die punched front cover will have no screw heads or fasteners.

ELEMENTS

High mass sheathed element construction with Nickel-Chromium resistance wire embedded in compacted efficient die-electric to ensure proper heat transfer. Aluminum fins mechanically bonded to stainless steel tube allows for increased surface area and even heat transfer.

LIMIT CONTROLS

Manual reset hydraulic thermal overload covers full length of heating element and shuts down heater when safe operating temperatures are exceeded.

WIRING

Wiring shall be in either end of the enclosure. Wiring can be in the junction box or optional control section if additional controls are needed. Pedestal mounted units shall have 1 1/4" hole through the pedestal and in the bottom of the enclosure for incoming power wiring. All heaters have a factory supplied built in raceway for wiring from either end of the heater or for wiring of continuous heater connections.

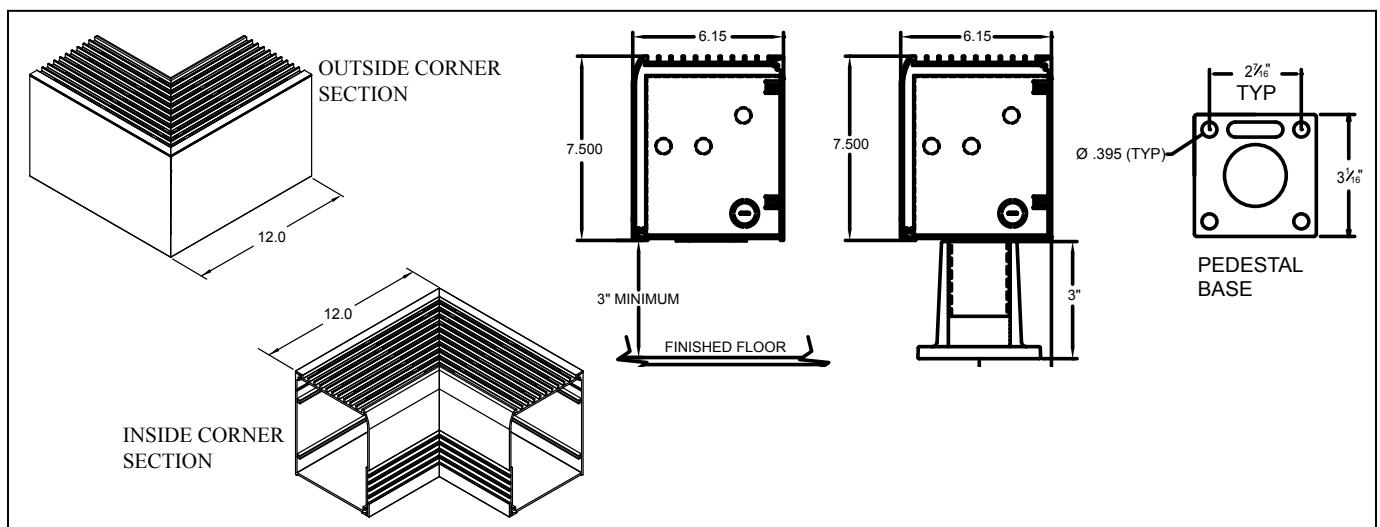
CONTROLS

Optional controls include single or double pole thermostat and disconnect switch that are factory wired in enclosed junction box on each end of heater enclosure. **If necessary, control section will add to heater enclosure length.** The control section for other optional components or combinations of components will have two options (6" or 12") depending on controls required.

APPLICATION

The 9300 series is ETL listed for commercial or industrial applications on all units up to 750 Watts per foot. 3 Phase units have a minimum of 300 Watts per foot. 3 Phase units require three elements.

Product Dimensions



Draft Barrier Heaters - General Product Information

All Draft Barrier Heaters, unless otherwise noted, are build to order items. Consult factory for lead times. Additional charges may be incurred if changes are made after production has begun - consult factory.

Electric Draft Barrier Features

- “UNI-LOCK” construction allows snap-fit, 2 piece installation
- Heavy Gauge Aluminum Extruded enclosures, 6063 heat treated to T-5 hardness
- DBT/DBF & RDBT-PD-12 gauge front & back
- ASHDB Series is 16 gauge Steel Front with 18 Steel gauge back
- ¼” pencil proof discharge louvers
- Thermal protection by full length linear limits
- Multiple heaters, factory wired on same back plate, available in up to 10’ lengths
- Totally enclosed junction boxes
- Custom colors and finishes available (See Chart)
- Enclosures available for hydronic heating coils (consult factory for more information)

How To Designate A Model

DIGIT	(EXAMPLE)	MFG MODEL NUMBER DESIGNATION - “ASI” DRAFT BARRIER
Digit 1=	DBT	Series Model Number (DBT/DBF, Etc.)
Digit 2=	PD	Use if Pedestals are Required* 2’ to 5’ Heaters require 2 pedestals 6’ to 8’ Heaters require 3 pedestals 9’ & 10’ Heaters require 4 pedestals
Digit 3=	4	Heated Length of Heater (for extended enclosure, specify amount of required enclosure on order write up, IE: 4’ Heated length w/ 2’6” of extended enclosure)
Digit 4=	250	Wattage per Linear foot (may not exceed allowable wattages on specific models, refer to catalogue page to verify maximum WPF)
Digit 5=	ITS (etc)	Control Options ; Refer to List Price chart for available options (Verify on each model which options may be factory installed)

NOTE:

- Extended enclosures and Blank Sections are NOT punched. When a Control Section is specified, ALWAYS allow for an extended enclosure to compensate for the 6” or 12” length of the Section required.
- Note on order when finished backs are required and add list adder to model list.
- **Total heater amperage must not exceed the 25-Amp rating of the high temperature limit at any voltage or wattage. This applies to all Sill Line Model Series.**

Completed example: DBT-PD-4250-ITS

Voltage & Wattage Specification

VOLTAGE	STANDARD WATTAGES PER FOOT	HEATER LENGTHS
120-277	100, 125, 150, 165, 187, 200, 250*, 300, 333*, 375*	2’ through 10’

*Units with Extended Enclosures may require more Pedestals than standard length, must verify length of heater after extended enclosures for total amount of pedestals. NOTE: All bottom inlet units must be mounted a minimum of 3 inches above finished floor.

All dual element ASHDB models have single phase elements.

Control Options

SUFFIX DESIGNATION	DESCRIPTION	LIST ADDER
CS 6	6” control section / will contain up to 2 control options	53
CS 12	12” control section / will contain up to 3 control options	
ITS	Single Pole, 25 Amp integral thermostat, 120,208,240 & 277 Volts	77
ITD	Double Pole, 25 Amp integral thermostat, 120,208,240 & 277 Volts	83
IDS	Double Pole Disconnect, 20 Amp, 120, 208, 240 & 277 Volts	77
IDS 30	30 Amp disconnect (9300 Series)	103
IDS 40	40 Amp disconnect (9300 Series)	103
LVTR	Low voltage controls (trans & relay) (9300 Series)	217
PR 120-277/24	Power Relay, 18 Amp tested, Must specify coil voltage Single Pole	103
PR 120-277/120		
PR 120-277/240		
ATR*	Single Pole, rated 25 Amps, 120 to 240 Volts, Contacts rated up to 277 Volts (must specify) Coils are 24 Volt; 24 Volt transformer	328

* Not suitable for International use

Note: Please refer to each model to verify how many controls may be integrally mounted, Control sections will add length to the heater. Must use control section with PR 240/24, PR 208/24, 208/208 and ATR

Note: If using line voltage thermostat on single phase heaters you cannot exceed 25 Amps due to Amp rating of thermostat. 347, 480, and 600V models can use up to 30 Amps with in-built thermostat.

CUSTOM PAINT COLORS

Durable Powder Coat Paint Finish

COLOR	SIZE	LIST
Bankers Bronze (Standard)		---
Eggshell White	Under 100 feet	105
Black		
Gray		
Beige		
Simulated Bronze or Clear Anodized		
Special Colors 5lb Increment - Consult Factory		



DBT Wall Mount
Model-300 WPF Max.



DBF Floor Mount
Model-250 WPF Max.

Cabinet Dimensions: 3 1/2" x 6" x 10' Maximum Length
Made in U.S.A.

Not suitable for residential applications.
Built to order: consult factory for lead time.

MFG MODEL NUMBER	LENGTH	LIST	
		PAINTED BRONZE	
		HEATER	FINISHED BACK ADDER
DBF-2/DBT-2	2'	356	44
DBF-3/DBT-3	3'	419	60
DBF-4/DBT-4	4'	491	55
DBF-5/DBT-5	5'	578	61
DBF-6/DBT-6	6'	705	68
DBF-7/DBT-7	7'	787	81
DBF-8/DBT-8	8'	870	85
DBF-9/DBT-9	9'	963	98
DBF-10/DBT-10	10'	1041	107
Extended Enclosure per foot		53	
BLANK SECTION			
DBF/DBT-100BS	1'	111	40
DBF/DBT-200BS	2'	166	44
DBF/DBT-300BS	3'	218	52
DBF/DBT-400BS	4'	269	55
DBF/DBT-500BS	5'	322	61
DBF/DBT-600BS	6'	373	68
DBF/DBT-700BS	7'	434	81
DBF/DBT-800BS	8'	491	85
DBF/DBT-900BS	9'	547	98
DBF/DBT-1000BS	10'	631	107

ACCESSORIES	LIST
DESCRIPTION	PAINTED BRONZE
DBF/DBT IC / Inside Corner Section - 90 - 180 Degrees	203
DBF/DBT OC / Outside Corner Section - 180 - 270 Degrees - 6" longest side	
DBF/DBT ECR / Right Hand End Cap - DBF/DBT ECL / Left Hand End Cap	71
DBF/DBT IECR / Inside Fitting Right End Cap - DBF/DBT IECL / Inside Fitting Left End Cap	77
DBF/DBT WT / 2" - 6" Wall Trim	50
DBF/DBT SP / 1 1/2" Splice Plate	
DBF/DBT MF / Mullion Front up to 1'	82
DBF/DBT IF / Inside Filler up to 1'	
3/4" Conduit Raceway (standard is 1/2")	\$8.00 per foot
Mesh / 1/4" Wire Mesh under Grill	\$9.00 per foot
Pedestals - specify 2" or 3"	\$71.00 per Pedestal
See Chart for required amount per Heater	

NOTE: DBF/DBT Series will permit a Thermostat mounted on one side and a Disconnect on the other side, more or other controls require a 6" or 12" control section. Typically, thermostats are mounted on left side of heater. Control Section will add to length of heater.



Cabinet Dimensions: 7" x 6" x 10"
Maximum Length
Made in U.S.A.

Not suitable for residential applications. 300 Watts Per Foot Maximum. Pedestals included with unit. Rounded enclosure with flat top discharge. Special Build: consult factory for lead time.

MFG MODEL NUMBER	LENGTH	LIST
		PAINTED BRONZE
RDBT-PD-2	2'	592
RDBT-PD-3	3'	699
RDBT-PD-4	4'	826
RDBT-PD-5	5'	961
RDBT-PD-6	6'	1110
RDBT-PD-7	7'	1254
RDBT-PD-8	8'	1398
RDBT-PD-9	9'	1541
RDBT-PD-10	10'	1710
Extended Enclosure per foot		93
BLANK SECTIONS		
RDBT-PD-100BS	1'	329
RDBT-PD-200BS	2'	434
RDBT-PD-300BS	3'	547
RDBT-PD-400BS	4'	659
RDBT-PD-500BS	5'	771
RDBT-PD-600BS	6'	884
RDBT-PD-700BS	7'	995
RDBT-PD-800BS	8'	1110
RDBT-PD-900BS	9'	1221
RDBT-PD-1000BS	10'	1355

ACCESSORIES	PAINTED BRONZE
DESCRIPTION	LIST
RDBT-PDIC / Inside Corner Section 90 - 180 Degrees	59
RDBT-PDOC / Outside Corner Section 180 - 270 Degrees - 6" longest side	
RDBT-PDIECR/Inside Fitting Right End Cap RDBT-PDIECL/Inside Fitting Left End Cap	103
¾" Conduit Raceway (standard is ½")	\$8.00 per foot
Mesh - ¼" Wire Mesh under Grill	\$9.00 per foot

NOTE: RDBT-PD Series will permit a Thermostat mounted on one side and a Disconnect on the other side. More or other controls require a 6" or 12" control section. Typically, Thermostats are mounted on the left side of heater. Control Sections will add to length of heater.



Cabinet Dimensions: 5 1/2" x 8" thru 20" x 10" Maximum Length. Cannot be Anodized
Made in U.S.A.



Not suitable for residential applications. 500 Watts per foot maximum. 16 gauge Steel enclosure, 18 gauge backplate. Heights may vary from 8" up to 20". Bottom Intake / Top Discharge. Special build - consult factory for lead time.

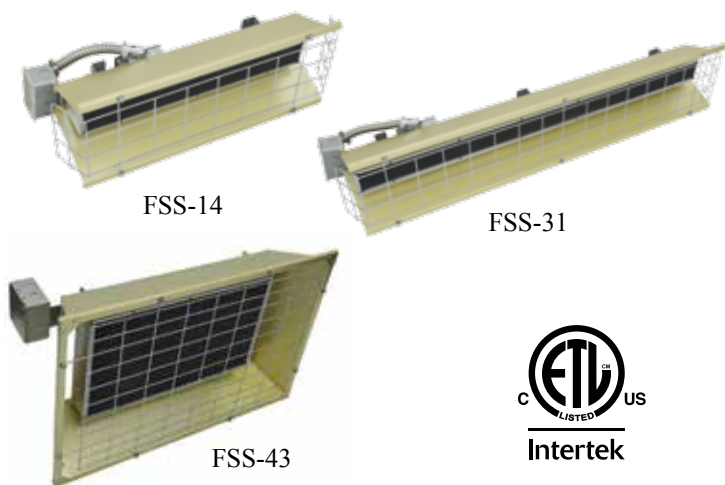
MFG MODEL NUMBER / LENGTH	WATTS/FT.	LIST					
		8-12" HIGH		13-16" HIGH		17-20" HIGH	
		HEATER	FINISHED BACK ADDER	HEATER	FINISHED BACK ADDER	HEATER	FINISHED BACK ADDER
ASHDB-2 2'	to 250	495	53	543	81	630	103
	251-500	566		624		710	
ASHDB-3 3'	to 250	579	55	630	83	747	109
	251-500	572		710		572	
ASHDB-4 4'	to 250	654	60	718	87	860	115
	251-500	727		797		943	
ASHDB-5 5'	to 250	721	65	807	92	976	119
	251-500	805		888		1060	
ASHDB-6 6'	to 250	847	74	918	99	1126	127
	251-500	924		1002		1207	
ASHDB-7 7'	to 250	992	81	1051	103	1288	130
	251-500	1071		1138		1371	
ASHDB-8 8'	to 250	1157	85	1217	113	1452	139
	251-500	1217		1300		1529	
ASHDB-9 9'	to 250	1286	91	1379	118	1612	144
	251-500	1362		1461		1692	
ASHDB-10 10'	to 250	1429	98	1541	125	1776	155
	251-500	1509		1625		1856	
Extended Enclosure per foot		55		70		84	
BLANK SECTIONS							
ASHDB-8/20-100BS 1'		156	48	189	71	199	81
ASHDB-8/20-200BS 2'		211	53	248	74	299	84
ASHDB-8/20-300BS 3'		274	55	307	91	386	87
ASHDB-8/20-400BS 4'		301	60	375	83	476	94
ASHDB-8/20-500BS 5'		358	65	438	85	565	98
ASHDB-8/20-600BS 6'		426	61	505	120	654	107
ASHDB-8/20-700BS 7'		501	81	554	98	767	113
ASHDB-8/20-800BS 8'		546	85	616	103	857	120
ASHDB-8/20-900BS 9'		609	91	696	109	958	125
ASHDB-8/20-1000BS 10'		671	98	768	118	989	155

ACCESSORIES	8-12" High	13-16" High	17-20" High
LIST			
ASHDB IC / Inside Corner Section 90 - 180 Degrees	331	347	364
ASHDB OC / Outside Corner Section 180 - 270 Degrees - 6" longest side			
ASHDB ECR / Right End Cap ASHDB ECL / Left End Cap	57	91	119
ASHDB SP / 1 1/2" Splice Plate			
ASHDB WT / 2" - 6" Wall Trim			
3/4" Conduit Raceway (standard is 1/2")	\$8.00 per Foot		
Mesh / 1/4" Wire Mesh under Grill	\$9.00 per Foot		
Pedestals - Specify 2" or 3"	\$71.00 per Pedestal		

See Chart for required amount per Heater

NOTE: ASHDB Series will permit a Thermostat mounted on one side and a Disconnect on the other side, more or other controls require a 6" or 12" control section. Typically, Thermostats are mounted on left side of heater. Control Section will add to length of heater.

Heavy Duty Overhead Infrared Heaters for Indoor Spot Heating, Zone, or Total Area Heating Applications

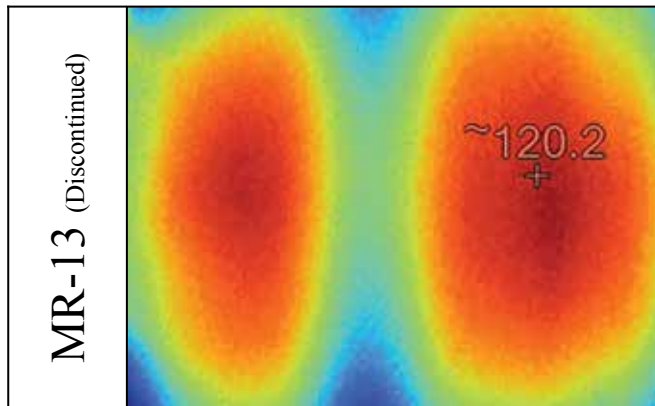
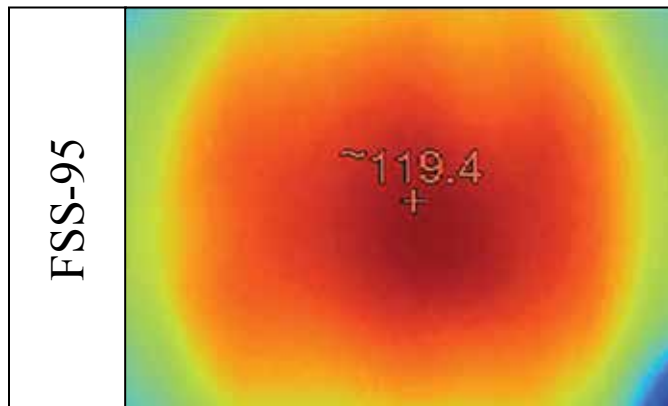


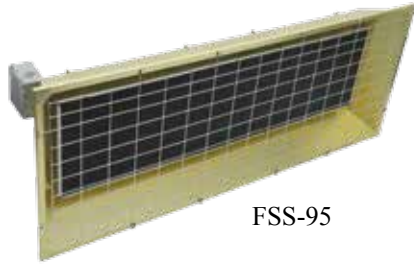
- High-Density medium wave radiant heat, with 60° symmetric heat pattern.
- Approximately 78.5% efficient vs 50% efficiency of metal sheath elements.
- More uniform heat pattern than metal sheath.
- Rugged flat panel emitter, great for high vibration areas.
- Gold anodized Aluminum housing for efficient, long term reflectivity & corrosion resistance.
- Single or three phase wiring on select models.
- "L" brackets included for chain suspension, or rigid mounting.
- Field wiring box mounted on each heater.
- Heavy duty wire guard factory installed.
- 25,000 hour element life expectancy.
- Shipped fully assembled
- Made in U.S.A.

Standard Models

MFG CATALOG NUMBER	MFG MODEL NUMBER	WATTS	VOLTS	PHASE	BTUs / Hr.	AMPS		ELEMENTS PER HEATER	WT. (LBS)	LIST	FSS Replacement Elements			
						1-PH	3-PH				MFG CATALOG NUMBER	MFG MODEL NUMBER	LIST	
04881502	FSS-1412-1	1450	120	1	4947	12.1		1	7	830	01356002	64337-001	590	
04881602	FSS-1420-1		208	1		6.97					01356102	64337-002		
04881702	FSS-1424-1		240	1		6.04					01356202	64337-003		
04881802	FSS-1427-1		277	1		5.23					01356302	64337-004		
04881902	FSS-1448-1		480	1		3.02					01356402	64337-005		
04882002	FSS-1457-1		600	1		2.52					01356502	64337-006		
04882102	FSS-3120-1	3150	208	1	10,748	15.14		1	13	1030	01356602	64337-007	689	
04882202	FSS-3124-1		240	1		13.13					01356702	64337-008		
04882302	FSS-3127-1		277	1		11.37					01356802	64337-009		
04882402	FSS-3148-1		480	1		6.56					01356902	64337-010		
04882502	FSS-3157-1		600	1		5.48					01357002	64337-011		
04882602	FSS-4320-3	4300	208	1 or 3	14,672	20.67	11.94	1	18	1260	01357102	64337-012	863	
04882702	FSS-4324-3		240	1 or 3		17.91	10.36				01357202	64337-013		
04882802	FSS-4327-1		277	1		15.52					01357302	64337-014		
04882902	FSS-4348-3		480	1 or 3		8.96	5.18				01357402	64337-015		
04883002	FSS-4357-3		600	1 or 3		7.48	4.32				01357502	64337-016		
04883102	FSS-9520-3		9500	208		1 or 3	32,414				45.67	26.39		1
04883202	FSS-9524-3	240		1 or 3	39.6	22.89		01357702	64337-018					
04883302	FSS-9527-1	277		1	34.3			01357802	64337-019					
04883402	FSS-9548-3	480		1 or 3	19.8	11.44		01357902	64337-020					
04883502	FSS-9557-3	600		1 or 3	16.5	9.54		01358002	64337-021					
04883602	FSS95TMK	TANDEM MOUNTING KIT								6	650			

Infrared Heat Coverage Comparison



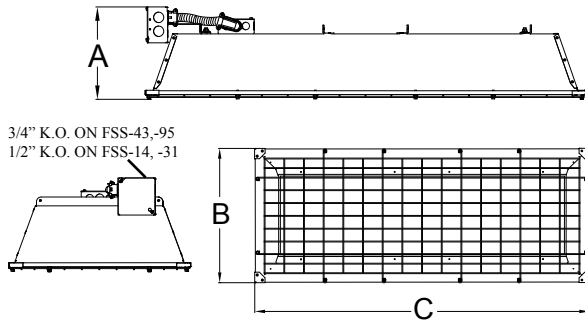


FSS-95

(2) FSS-95 heaters with TMK-95 tandem mounting kit



FSS Series Dimensions



MFG MODEL NUMBER	DIMENSIONS (in.)		
	"A" DEPTH	"B" WIDTH	"C" LENGTH
FSS-14	8 ½	9	26
FSS-31	8 ½	9	46
FSS-43	9 ¾	20	29
FSS-95	7 ¾	20	49
FSS-95 TANDEM	7 ¾	20	108

Mounting Clearances & Recommended Mounting Height

Mounting Clearances		KW	Recommended Mounting Height
All FSS Models	24" from ceiling 36" from vertical surface & from another heater 72" from face of heater to combustible surface	1.4	8' - 10'
		3.1	8' - 12'
		4.3	10' - 14'
		9.5	12' - 16'
FSS-95 Tandem Only	87" from face of heater to combustible surface	(2) 9.5	15' - 30'

Sizing Chart

MOUNTING HEIGHT	MFG MODEL NUMBER	LENGTH	WIDTH	COVERAGE (SQ. FT.)	WATTS (SQ. FT.)
8'	FSS-14	8	8	64	22.7
	FSS-31	9	8	72	43.8
10'	FSS-14	11	10	110	13.2
	FSS-31	11	10	110	28.6
	FSS-43	12	10	120	35.8
12'	FSS-31	12	11.5	138	22.8
	FSS-43	14	12	168	25.6
	FSS-95	15	13	195	48.7
14'	FSS-43	16	14	224	19.2
	FSS-95	18	16	288	33.0
16'	FSS-43	18	16	288	14.9
	FSS-95	21	18	378	25.1
	FSS-95 TANDEM	24	19	456	41.7
18'	FSS-95	23	20	460	20.7
	FSS-95 TANDEM	28	20	560	33.9
20'	FSS-95 TANDEM	28	23	644	29.5
24'	FSS-95 TANDEM	33	27	891	21.3
30'	FSS-95 TANDEM	41	32	1312	14.5

Product Specifications

Housing & Construction:

.040 Gold anodized Aluminum housing for efficient, long-term reflectivity and corrosion resistance. High-density radiant heat. Housing is ETL Listed for indoor, dry environment applications only. Made in U.S.A.

Reflector:

60 degree symmetric heat pattern, reference the sizing chart to determine overall coverage based on the mounting height.

Elements:

Heavy duty flat panel emitter. Available wattages in 1450, 3150, 4300 and 9500 Watts per element. Available in standard voltages from 120 to 600 Volts.

Controls:

Flat panel emitter heaters are not manufactured with any control device on the unit. All controls and accessories should be specified as remote mounted. Please consult the technical sales department of factory for help in determining applicable controls. Please follow installation instructions that accompany each heater.

Accessories:

Power contactor panels.

ICP Control Panels



Features

- NEMA 4 outdoor rated control box
- Door interlock disconnect switch
- Custom made to customers specifications
- SCR and proportional controls optional
- Circuit breakers sized for heater load per stage
- Please see ICP page to select panel to control one or multiple units, if required.

TH & THSS Series Mul-T-Mount Electric Infrared Heater

Overhead Infrared Heaters for Snow & Ice Control, Outdoor Spot Heating & All Indoor Heating Applications



Product Description

AVAILABLE IN 2 OR 3 LAMP BROWN ENAMEL OR STAINLESS STEEL.

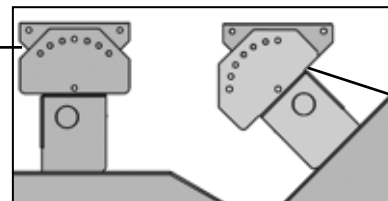


- Listed for suspended, totally exposed (outdoor), high-bay (indoor) comfort heating and exterior snow & ice control applications.
- Listed for recessed applications.
- 20 gauge painted steel or stainless steel housings.
- Gold anodized Aluminum reflectors & end caps.
- 50% higher Watt densities for 3-element units.
- 2-Lamp wiring, single phase.
- 3-Lamp wiring, three or single phase.
- Stainless steel models have non-corrosive housing, hardware and brackets; no ferrous metals used in the unit. Durable in harsh atmospheres & outdoor environments.
- High temperature lead wires.
- Clear Quartz Lamp(s) Included.
- Made in U.S.A.

Features:

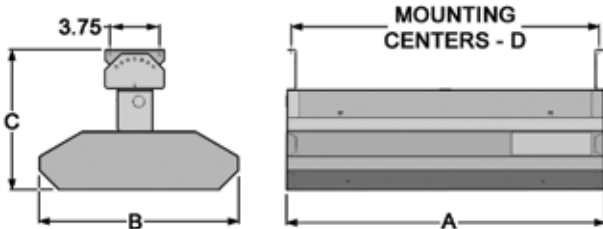
In-Built surface mounting brackets allows for fixture adjustment up to 45° horizontal tilt.

In-built surface mounting brackets attached to the top wiring channel.



0 to 45° tilt @ 15° increments

Product Dimensions

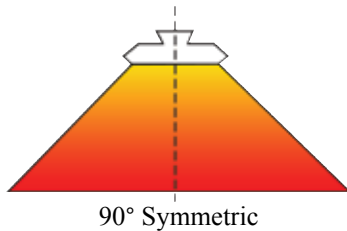
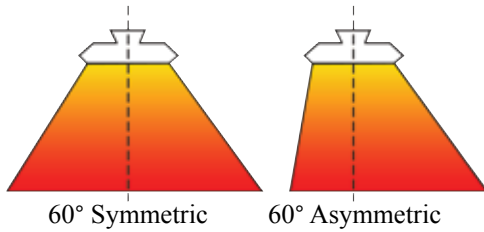
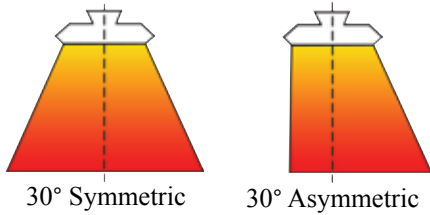


MUL-T-MOUNT SERIES	DIMENSIONS (IN.)			
	"A" LENGTH	"B" WIDTH	"C" HEIGHT	"D" MTG.CTR.
222	24"	15"	10 7/8"	23 1/2"
342	33"	15"	10 7/8"	32 1/2"
462	46"	15"	10 7/8"	45 1/2"
223	24"	21 1/2"	10 7/8"	23 1/2"
343	33"	21 1/2"	10 7/8"	34"
463	46"	21 1/2"	10 7/8"	45 1/2"

Mounting Clearances & Recommended Mounting Height

Mounting Clearances		Recommended Mounting Height	
2 & 3 Lamp Models	3" from ceiling	30° Symmetric & A30° Asymmetric Reflector - Indoor	14' - 30'
	24" from vertical surface	60° Symmetric & A60° Asymmetric Reflector - Indoor	12' - 18'
2 Lamp Models	72" from face of heater to combustible surface	90° Symmetric Reflector - Indoor	8' - 12'
3 Lamp Models	96" from face of heater to combustible surface	30° Symmetric & A30° Asymmetric Reflector - Outdoor	8' - 10'

Reflector Patterns



Product Specifications

Series:

- 222, 342, 462 (Painted Version) 2-lamp
- 222, 342, 462 (Stainless Steel Version) 2-lamp
- 223, 343, 463 (Stainless Steel Version) 3-lamp

Housing:

20 gauge Galvanized Steel with a baked on, brown enamel (painted) finish. Housing is ETL Listed for both indoor and totally exposed outdoor applications.

20 gauge Stainless Steel for durability and corrosion-resistance. Housing is ETL Listed for both indoor and totally exposed outdoor applications.

Reflectors and End Caps:

.040 Gold anodized Aluminum reflectors and end caps for superior reflectivity. Five choices of reflector patterns including 30 degree narrow (symmetric & asymmetric), 60 degree medium (symmetric & asymmetric), and 90 degree wide (symmetric).

Elements:

Clear quartz lamps. Coiled tungsten filament located within a sealed quartz envelope, halogen filled, with porcelain end caps and 6" wire pigtail leads. 96% radiant delivered efficiency with high moisture and thermal shock resistance. Instantaneous heat-up and cool-down performance. Available wattages from 500 to 3800 Watts per element. Available voltages from 120 to 600 Volts.

Controls:

Mul-T-Mount heaters are not manufactured with any control device on the unit. All controls are accessories and should be specified as such. Please consult the technical sales department of factory for help in determining applicable controls. Please follow installation instructions that accompany each heater.

Accessories:

Recessed mounting frames (painted or stainless steel), adjustable mounting brackets (stainless steel only), vertical mounting brackets (stainless steel only), wire guards, thermostats, snow detectors, SCR controllers, and power contactor panels.

Sizing Chart

Reflective Pattern (°)	Heater Output (kW)	# of Qtz. Lamps	Mounting Heights (FT.)							Watts Delivered per Square Foot						
			8	10	12	14	16	18	20	Mounting Heights (FT.)						
			Heat Pattern Coverage @ Floor Level													
			L x W	L x W	L x W	L x W	L x W	L x W	L x W	8	10	12	14	16	18	20
30°	3.2	2 - Quartz Lamp Heaters	5.5 x 4	6.5 x 5.5	7.5 x 6.5	8.5 x 7.5	9.5 x 8.5	10.5 x 9.5	11.5 x 10.5	145.5	89.5	65.6	50.2	39.6	32.1	26.5
			10.5 x 9.5	13 x 12	15 x 14	17 x 16	N/R	N/R	N/R	32.1	20.5	15.2	11.8	-	-	-
			17 x 16	21 x 20	N/R	N/R	N/R	N/R	N/R	11.8	7.6	-	-	-	-	-
	5.0		6 x 4	7.5 x 5.5	8.5 x 6.5	9.5 x 7.5	10.5 x 8.5	11.5 x 9.5	12.5 x 10.5	208.3	121.2	90.5	70.2	56.0	45.8	38.1
			11.5 x 9.5	14 x 12	16 x 14	18 x 16	20.5 x 18.5	23 x 21	N/R	45.8	29.8	22.3	17.4	13.2	10.4	-
			18 x 16	22 x 20	26 x 24	N/R	N/R	N/R	N/R	17.4	11.4	8.0	-	-	-	-
	7.3		N/R	8.5 x 5.5	9.5 x 6.5	10.5 x 7.5	11.5 x 8.5	12.5 x 9.5	13.5 x 10.5	-	156.1	118.2	92.7	74.7	61.5	51.5
			12 x 10.5	15 x 12	17 x 14	19 x 16	21.5 x 18.5	24 x 21	N/R	57.9	40.6	30.7	24.0	18.4	14.5	-
			19 x 16	23 x 20	27 x 24	N/R	N/R	N/R	N/R	24.0	15.9	11.3	-	-	-	-
30°	4.8	3 - Quartz Lamp Heaters	5.5 x 5	6.5 x 6.5	7.5 x 7.5	8.5 x 8.5	9.5 x 9.5	10.5 x 10.5	11.5 x 11.5	174.5	113.6	85.3	66.4	53.2	43.5	36.3
			10.5 x 10.5	13 x 13	15 x 15	17 x 17	21 x 21	N/R	N/R	43.5	28.4	21.3	16.6	10.9	-	-
			17 x 17	21 x 21	N/R	N/R	N/R	N/R	N/R	16.6	10.9	-	-	-	-	-
	7.5		N/R	7.5 x 6.5	8.5 x 7.5	9.5 x 8.5	10.5 x 9.5	11.5 x 10.5	12.5 x 11.5	-	153.8	117.6	92.9	75.2	62.1	52.2
			11.5 x 10.5	14 x 13	16 x 15	18 x 17	20.5 x 19.5	23 x 22	N/R	62.1	41.2	31.3	24.5	18.8	14.8	-
			18 x 17	22 x 21	26 x 25	N/R	N/R	N/R	N/R	24.5	16.2	11.5	-	-	-	-
	10.95		N/R	8.5 x 6.5	9.5 x 7.5	10.5 x 8.5	11.5 x 9.5	12.5 x 10.5	13.5 x 11.5	-	198.2	153.7	122.7	100.2	83.4	70.5
			12 x 11	15 x 13	17 x 15	19 x 17	21.5 x 19.5	24 x 22	N/R	83.0	56.2	42.9	33.9	26.1	20.7	-
			19 x 17	23 x 21	27 x 25	N/R	N/R	N/R	N/R	33.9	22.7	16.2	-	-	-	-

TH & THSS Series Mul-T-Mount Electric Infrared Heater



2 Lamp Mul-T-Mount Series Brown Enamel Or Stainless Steel With 2 Clear Quartz Lamps Included

BROWN HOUSING		STAINLESS Steel HOUSING		KW	BTUs	VOLTS	REFLECTOR PATTERN	REPLACEMENT ELEMENT	WT. (LBS)	LIST						
MFG CATALOG NUMBER	MFG MODEL NUMBER	MFG CATALOG NUMBER	MFG MODEL NUMBER							Brown	Stainless Steel					
04441602	222-30-TH-208V	04444002	222-30-THSS-208V	3.2	10,922	208	30° Symmetrical	63016209	20	670	809					
04441702	222-30-TH-240V	04444102	222-30-THSS-240V			240		63016249								
04441802	222-30-TH-277V	04444202	222-30-THSS-277V			277		63016279								
04813802	222-30-TH-480V	04814302	222-30-THSS-480V			480		63016489								
04441902	222-A30-TH-208V	04444302	222-A30-THSS-208V			208	30° Asymmetrical	63016209								
04442002	222-A30-TH-240V	04444402	222-A30-THSS-240V			240		63016249								
04442102	222-A30-TH-277V	04444502	222-A30-THSS-277V			277		63016279								
04814102	222-A30-TH-480V	04814602	222-A30-THSS-480V			480	63016489									
04442202	222-60-TH-208V	04444602	222-60-THSS-208V			208	60° Symmetrical	63016209								
04442302	222-60-TH-240V	04444702	222-60-THSS-240V			240		63016249								
04442402	222-60-TH-277V	04444802	222-60-THSS-277V			277		63016279								
04813902	222-60-TH-480V	04814402	222-60-THSS-480V			480		63016489								
04442502	222-A60-TH-208V	04444902	222-A60-THSS-208V			208	60° Asymmetrical	63016209								
04442602	222-A60-TH-240V	04445002	222-A60-THSS-240V			240		63016249								
04442702	222-A60-TH-277V	04445102	222-A60-THSS-277V			277		63016279								
04814202	222-A60-TH-480V	04814702	222-A60-THSS-480V			480	63016489									
04432902	222-90-TH-208V	04445202	222-90-THSS-208V			208	90° Symmetrical	63016209								
04442802	222-90-TH-240V	04445302	222-90-THSS-240V			240		63016249								
04442902	222-90-TH-277V	04445402	222-90-THSS-277V			277		63016279								
04814002	222-90-TH-480V	04814502	222-90-THSS-480V			480		63016489								
04810802	342-30-TH-208V	04809302	342-30-THSS-208V	5.0	17,065	208	30° Symmetrical	63025209	25	883	1131					
04810902	342-30-TH-240V	04809402	342-30-THSS-240V			240		63025249								
088026143	342-30-TH-480V	088026394	342-30-THSS-480V			480		63025489								
04811702	342-A30-TH-208V	04810202	342-A30-THSS-208V			208	30° Asymmetrical	63025209								
04811802	342-A30-TH-240V	04810302	342-A30-THSS-240V			240		63025249								
04443102	342-A30-TH-480V	04445602	342-A30-THSS-480V			480	63025489									
04811102	342-60-TH-208V	04809602	342-60-THSS-208V			208	60° Symmetrical	63025209								
04811202	342-60-TH-240V	04809702	342-60-THSS-240V			240		63025249								
088029143	342-60-TH-480V	088029394	342-60-THSS-480V			480		63025489								
04812002	342-A60-TH-208V	04810502	342-A60-THSS-208V			208	60° Asymmetrical	63025209								
04812102	342-A60-TH-240V	04810602	342-A60-THSS-240V			240		63025249								
04443302	342-A60-TH-480V	04445802	342-A60-THSS-480V			480	63025489									
04811402	342-90-TH-208V	04809902	342-90-THSS-208V			208	90° Symmetrical	63025209								
04811502	342-90-TH-240V	04810002	342-90-THSS-240V			240		63025249								
088032144	342-90-TH-480V	088032394	342-90-THSS-480V			480		63025489								
088027143	462-30-TH-480V	088027393	462-30-THSS-480V			7.3	24,915	480				30° Symmetrical	63036489	32	1110	1360
04443602	462-A30-TH-480V	04446102	462-A30-THSS-480V					480				30° Asymmetrical	63036489			
088030143	462-60-TH-480V	088030393	462-60-THSS-480V					480				60° Symmetrical	63036489			
04443802	462-A60-TH-480V	04446302	462-A60-THSS-480V					480				60° Asymmetrical	63036489			
088033144	462-90-TH-480V	088033394	462-90-THSS-480V					480				90° Symmetrical	63036489			

NOTE: Consult the factory, the product instruction manual, or a licensed electrician for 3-phase wiring of all 2-element heaters.

TH & THSS Series Mul-T-Mount Electric Infrared Heater

3 Lamp Mul-T-Mount Series - Brown Enamel Or
Stainless Steel Housing With 3 Clear Quartz Lamps Included



NOTE:

- 600-Volt Models also available, contact factory for more information.
- Asymmetrical pattern units are also available for 30° & 60°
- Made in U.S.A.

BROWN HOUSING		STAINLESS STEEL HOUSING		KW	BTUs	VOLTS	REFLECTOR PATTERN	REPLACEMENT ELEMENT	WT. (LBS)	LIST						
MFG CATALOG NUMBER	MFG MODEL NUMBER	MFG CATALOG NUMBER	MFG MODEL NUMBER							Brown	Stainless Steel					
04874802	223-30-TH-208V	04436702	223-30-THSS-208V	4.8	16382	208	30° Symmetrical	63016209	25	1095	1234					
04874902	223-30-TH-240V	04436802	223-30-THSS-240V			240		63016249								
04875002	223-30-TH-277V	04436902	223-30-THSS-277V			277		63016279								
04875102	223-30-TH-480V	04815802	223-30-THSS-480V			480	63016489									
04875202	223-60-TH-208V	04432802	223-60-THSS-208V			208	63016209									
04875302	223-60-TH-240V	04437302	223-60-THSS-240V			240	63016249									
04875402	223-60-TH-277V	04437402	223-60-THSS-277V			277	63016279									
04875502	223-60-TH-480V	04815902	223-60-THSS-480V			480	63016489									
04875602	223-90-TH-208V	04437802	223-90-THSS-208V			208	63016209									
04875702	223-90-TH-240V	04437902	223-90-THSS-240V			240	63016249									
04875802	223-90-TH-277V	04438002	223-90-THSS-277V			277	63016279									
04875902	223-90-TH-480V	04816002	223-90-THSS-480V			480	63016489									
04876002	343-30-TH-208V	04812302	343-30-THSS-208V	7.5	25298	208	30° Symmetrical	63025209	33	1325	1573					
04876102	343-30-TH-240V	04812402	343-30-THSS-240V			240		63025249								
04876202	343-30-TH-480V	088114394	343-30-THSS-480V			480		63025489								
04876302	343-60-TH-208V	04812602	343-60-THSS-208V			208	63025209									
04876402	343-60-TH-240V	04812702	343-60-THSS-240V			240	63025249									
04876502	343-60-TH-480V	088116394	343-60-THSS-480V			480	63025489									
04876602	343-90-TH-208V	04812902	343-90-THSS-208V			208	63025209									
04876702	343-90-TH-240V	04813002	343-90-THSS-240V			240	63025249									
04876802	343-90-TH-480V	088118394	343-90-THSS-480V			480	63025489									
04876902	463-30-TH-480V	088105394	463-30-THSS-480V			10.95	37372	480				30° Sym.	63036489	41	1591	1842
04877002	463-60-TH-480V	088107394	463-60-THSS-480V					60° Sym.				63036489				
04877102	463-90-TH-480V	088109394	463-90-THSS-480V					90° Sym.				63036489				

TH & THSS Series Product Accessories

MFG CATALOG NUMBER	MFG MODEL NUMBER	DESCRIPTION	FOR USE WITH	WT. (LBS)	LIST
08811239	VMB-41-SS	Wall Mounting Brackets (2)	All Mul-T-Mount Models	12	226
08511500	CHWG-222	Stainless Steel Wire Guards	222 Series	2	61
08511400	CHWG-342		342 Series		81
08516200	CHWG-462		462 Series		111
08543600	CHWG-223		223 Series		76
08543500	CHWG-343		343 Series		98
08543400	CHWG-463		463 Series		115
Recessed Mounting Frames (UL)					
		Ceiling Cutout (in.)	Frame Size (in.)		
04419902	RMF-222-SS-A	27 x 17 7/8	29 1/8 x 20	6	250
04494402	RMF-222-A	27 x 17 7/8	29 1/8 x 20		183
04420702	RMF-342-SS-A	36 x 17 7/8	38 1/8 x 20	9	309
04418702	RMF-342-A	36 x 17 7/8	38 1/8 x 20		184
04421002	RMF-462-SS-A	49 x 17 7/8	51 1/8 x 20	11	377
04494502	RMF-462-A	49 x 17 7/8	51 1/8 x 20		233
08811002	RMF-223-SS	32 x 29 3/8	34 1/8 x 31 1/2	15	379
08811302	RMF-343-SS	41 x 29 3/8	43 1/8 x 31 1/2	18	444
08811102	RMF-463-SS	54 x 29 3/8	56 1/8 x 31 1/2	20	541
04877202	RMF-223	32 x 29 3/8	34 1/8 x 31 1/2	15	303
04877302	RMF-343	41 x 29 3/8	43 1/8 x 31 1/2	18	319
04877402	RMF-463	54 x 29 3/8	56 1/8 x 31 1/2	20	397
04407802	31939009	Red Vycor Sleeves	All 1600W Qtz. Lamp	2	93
04407302	31940009	Reduces Quartz Lamp	All 2500W Qtz. Lamp		122
04407402	31941009	Brightness by 90%	All 3650W Qtz. Lamp		150
04461502	632-1620	Red Quartz Lamps; 1.6kw, 208v	222,223 & RPH Series	2	157
04461602	632-1624	Red Quartz Lamps; 1.6kw, 240v			157
04462202	632-2548	Red Quartz Lamps; 2.5kw, 480v			342 & 343 Series

OCH Series Outdoor / Indoor Rated Quartz Electric Infrared Heater

Features

Heats solid objects, not the air!



- Frosted Quartz Tube heating element (included)
- Listed for suspended, totally exposed (outdoor) and indoor spot heating applications
- Finish: High-temp brown powder coated finish or corrosion resistant stainless steel 24 gauge housing
- 60° Symmetric Heat Pattern
- Gold anodized Aluminum reflector and end caps
- Painted models are direct wire, unless specified and are supplied with 6" lead wires for field connection in the internal wiring compartment. These models are available with a factory installed 6' cord set. The 208V model must have a field supplied plug.
- Stainless steel models include an electrical enclosure assembled to the end of the heater housing and (2) 6" long lead wires for direct field connection.
- Two 2' ft. long mounting chains and four S-Hooks included
- The OCH-Series can be surfaced mounted using the supplied mounting brackets which allow up to a 45° horizontal tilt adjustment.
- Made in U.S.A.

Product Models

FINISH - BROWN			FINISH - STAINLESS Steel			CONNECTION TYPE	WATTS	BTUs	VOLTS	AMPS	Qtz. Tube Repl. Element	WT. (LBS)							
MFG CATALOG NUMBER	MFG MODEL NUMBER	LIST	MFG CATALOG NUMBER	MFG MODEL NUMBER	LIST														
Includes Electrical Enclosure						Hard Wire	1500	5120	120	12.5	671-3784	10							
04804402	OCH-46-120VE	335	04805202	OCH-46-120V-SSE	394														
04804502	OCH-46-208VE		04805302	OCH-46-208V-SSE															
04804602	OCH-46-240VE		04805402	OCH-46-240V-SSE															
04804702	OCH-46-277VE		04805502	OCH-46-277V-SSE															
04804902	OCH-57-208VE	383	04805702	OCH-57-208V-SSE	436		3000	10239	208	14.4	671-5060	12							
04804802	OCH-57-240VE		04805602	OCH-57-240V-SSE															
04805002	OCH-57-277VE		04805802	OCH-57-277V-SSE															
04805102	OCH-57-480VE		04805902	OCH-57-480V-SSE															
04859702	OCH-46-120VCE	362	---	---	---		Corded	1500	5120	120	12.5	671-3784	11						
04859802	OCH-57-208VCE	425	---	---	---									3000	10239	208	14.4	671-5060	13
04859902	OCH-57-240VCE		---	---	---														

Product Accessories

MFG CATALOG NUMBER	MFG MODEL NUMBER	DESCRIPTION	FOR USE WITH	WT. (LBS)	LIST
04808802	OCHWG-46	Stainless Steel Wire Guards	OCH-46 Series Models	2	61
04808902	OCHWG-57		OCH-57 Series Models	2	64
08811239	VMB-41-SS	Wall Mtg. Brackets (2)	ALL OCH Models	12	226
04459402	VHC-15	Variable Heat Controller	208/240V OCH Models Only	3	173
04853502	VHC-32	Variable Heat Controller	208/240V OCH Models Only	3	639

OCH Sizing Chart

MOUNTING HEIGHT	HEATER MFG MODEL	WATTS	HEAT PATTERN COVERAGE (AT FLOOR LEVEL)			TOTAL WATTS / SQ. FT.
			LENGTH	WIDTH	SQ. FT.	
7'	OCH-46	1500	11	9	99	15.2
	OCH-46	2000	11	9	99	20.2
8'	OCH-46	1500	12	10	120	12.5
	OCH-46	2000	12	10	120	16.7
	OCH-57	3000	13	10	130	23.1
	OCH-57	2250	13	10	130	17.3
9'	OCH-46	1500	13	11	143	10.5
	OCH-46	2000	13	11	143	14.0
	OCH-57	3000	14	11	154	19.5
	OCH-57	2250	14	11	154	14.6
10'	OCH-57	3000	15	12	180	16.7
	OCH-57	2250	15	12	180	12.5
12'	OCH-57	3000	17	14	238	12.6
	OCH-57	2250	17	14	238	9.5

Product Specifications

Series: OCH-46
OCH-57

Dimensions:
Length: 48"; Width: 5.375"; Height: 6.5"
Length: 59"; Width: 5.375"; Height: 6.5"

Housing:

24 gauge Aluminized Steel with a baked on brown powder coat finish. Housing is cETLus Listed for indoor or outdoor applications. Horizontal mounting only.

Reflectors and End Caps:

.040 Gold anodized Aluminum reflectors and end caps for superior reflectiveness. 60 degree medium (symmetric) pattern only.

Elements:

Quartz Tubes. Frosted quartz envelope with a Nickel-Chromium coiled filament, porcelain end caps, and threaded-screw (stud) terminations. Fast heat-up and cool-down performance. Available Wattages from 1500 to 3000 Watts per element. Available voltages from 120 to 480 Volts.

Controls:

OCH Series heaters are not manufactured with any control device on the unit. All controls are accessories and should be specified as such. Please consult the technical sales department of factory for help in determining applicable controls. Please follow installation instructions that accompany each heater.

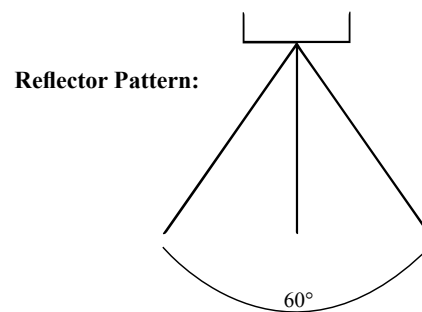
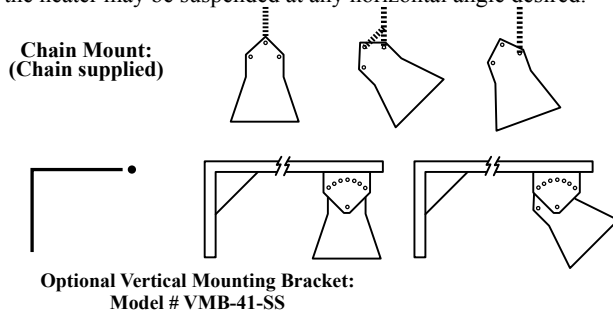
Accessories:

Adjustable mounting brackets (stainless steel only), vertical mounting brackets (stainless steel only), wire guards, thermostats, SCR controllers, and power contactor panels.

Mounting Configurations & Reflector Pattern

Mounting

- Chain, surface mount or use our vertical mounting bracket as shown below. (Note:) All units must be mounted horizontally.
- In-Built surface mounting bracket allows for fixture adjustment up to a 45° horizontal tilt.
- As shown, the heater may be suspended at any horizontal angle desired.



Mounting Clearances & Recommended Mounting Height

MOUNTING CLEARANCES	RECOMMENDED MOUNTING HEIGHT	
3" from ceiling; 12" from vertical surface 72" from face of heater to combustible surface 36" from another heater	OCH-46	7'-9'
	OCH-57	8'-10'

RPH Series Outdoor Rated Stainless Steel Electric Infrared Heater



- Instant, high-intensity radiant heat, with 30° symmetric heat pattern.
- Listed for indoor spot heating and for outdoor unprotected applications.
- Specialized Ruby "Red" Quartz Lamp infrared heating element for glare reduction.
- Stainless Steel housing with Coilzak Aluminum reflector for good reflectivity & corrosion resistance.
- Heating element and mounting plate included.
- Dimensions: 24" x 5 3/8" x 4 1/2."
- Made in U.S.A.



Mounting Plate (provided) on top center allows heater to be mounted parallel or angled using a standard pipe nipple and box cover (supplied by installer)

MOUNTING CLEARANCES						RECOMMENDED MOUNTING HEIGHT		
6" from ceiling 24" from vertical surface 72" from face of heater to combustible surface						RPH-208		8'-12'
						RPH-240		8'-12'

MFG CATALOG NUMBER	MFG MODEL NUMBER	WATTS	BTUs	VOLTS	PHASE	AMPS	REPLACEMENT QUARTZ LAMP	WT. (LBS)	LIST	OPTIONAL WIREGUARD		
										MFG CATALOG NUMBER	MFG MODEL NUMBER	LIST
08845039	RPH-208-A	1600	5,461	208	1	7.7	632-1620	5	366	08809902	RPHWG	38
08845139	RPH-240-A	1600	5,461	240	1	6.7	632-1624	5				

MM Series "Mitey Midget" Electric Infrared Heater



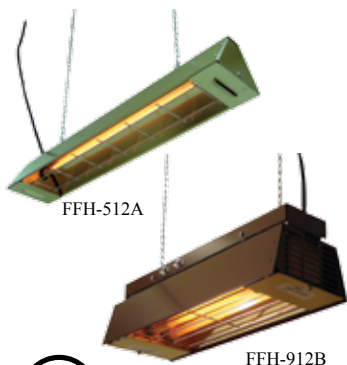
- Instant, high-intensity radiant heat, with 60° symmetric heat pattern.
- MM heaters excel as people-heaters in areas requiring a linear, compact & concentrated heat source.
- Listed for indoor industrial and commercial comfort heat applications.
- Heavy duty Aluminum extrusion with a bright Aluminum insert for maximum reflectivity.
- Anodized Aluminum housing, (0.62" thick).
- Heat Element Sold Separately.
- Dimensions: 3.750" Wide x 3.380" High.
- Made in U.S.A.

Mounting Clearances	
24" from ceiling & from vertical surface	
24" from face of heater to combustible surface	
36" from another heater	

MFG CATALOG NUMBER	MFG MODEL NUMBER	MAX WATTS	MAX BTUs	MAX VOLTS	PH	UNIT LENGTH	WT. (LBS)	LIST	OPTIONAL WIREGUARDS		
									MFG CATALOG NUMBER	MFG MODEL NUMBER	LIST
04440102	MM-13A	500	1707	120	1	13"	3	250	04439002	MMWG-13	27
04495402	MM-24A	900 / 1600	5461	277	1	24"	5	270	04418902	MMWG-24	51
04427202	MM-33A	2500	8533	600	1	33"	6	291	04439202	MMWG-33	55
04420302	MM-46A	3000 / 3800	12457	600	1	46"	7	318	04420402	MMWG-46	65

Note: All MM-13A through MM-46A models are ETL Listed for use with Quartz Lamps Only! Lamp voltage must match supply voltage.

FFH Series Electric Utility Infrared Heater



- Both FFH Series Heaters are excellent for Farrowing & Finishing applications.
- Both units feature an 8 ft. 18/3 grounded cordset to plug into any 120V service.
- Gold anodized Aluminum reflectors, with a 90° symmetrical reflector pattern.
- Compact housing design, with the following housing finish:
FFH-512A: Gold Anodized Finish
FFH-912B: Brown Enamel Finish
- Quartz Tubes Heat Element(s), Wire Guard & (2) 4' ft. Jack Chains are included.
- FFH-912B Only: Offers (2) On/Off toggle switches to operate heating elements independently.
- Listed for indoor industrial and commercial comfort heat
- Made in U.S.A.

SIZING CHART - FFH SERIES					
MOUNTING HEIGHT	HEATER MODEL	LENGTH	WIDTH	COVERAGE (Sq. Ft.)	WATTS / Sq. Ft.
6'	FFH-512A	7	6	42	13.1
	FFH-912B	6	7	42	21.4
7'	FFH-512A	8	7	56	9.8
	FFH-912B	7	8	56	16.1
8'	FFH-512A	9	8	72	7.6
	FFH-912B	8	9	72	12.5

MOUNTING CLEARANCES	
3" from ceiling	
24" from vertical surface	
72" from floor	



MFG CATALOG NUMBER	MFG MODEL NUMBER	WATTS	BTUs	VOLTS	PHASE	AMPS	REPLACEMENT QUARTZ TUBE	WT. (LBS)	Dimensions (in.)			LIST
									Length	Width	Height	
08838900	FFH-512A	550	1877	120	1	5	671-3492	4	22	5	3	239
08827814	FFH-912B	450/900	3072	120	1	8	671-3454	4	17	6	4	436

Electric Infrared Heating Elements

Clear & Red Quartz Lamps

MFG CATALOG NUMBER	MFG MODEL NUMBER	WATTS	VOLTS	LENGTH (IN.)		ENVELOPE TYPE	FITS MODEL	LIST	
				Overall	Heated				
04400502	630-05129	500	120	8 1/16	5	CLEAR	MM-13A	111	
04401602	630-16209	1600	120	19 1/16	16		222, 223, or MM-24A		129
04401702	630-16249								129
04409902	631-16249								157
04401802	630-16279								129
04817302	630-16489								157
04817402	630-25209	2500	120	28 1/16	25		342, 343, or MM-33A		184
04817502	630-25249								206
04817602	630-25279								163
04405402	630-25489								177
04403602	631-25489								
04406802	631-25609	3650	120	41 1/16	38		462, 463, or MM-46A		242
04406702	630-36489								254
04462302	630-38579								
04441302	631-38579	3800	120	19 1/16	16		222/223 or RPH		157
04461502	632-1620								
04461602	632-1624	2500	120	28 1/16	25	342 or 343		184	
04462202	632-2548								

- Near wavelength infrared, color temp. emitted: approx. 4100° F (high brightness).
 - Approximately 96% radiant efficiency.
 - Excellent resistance to thermal shock.
 - Highest moisture resistance and quickest heat-up time.
 - 3/8" Diameter clear or red quartz envelope.
 - Coiled tungsten filament; sealed porcelain end caps; halogen gas filled.
- Model prefix types:
 630 = Horizontal Burning "Clear"
 631 = Vertical OR Horizontal Burning "Clear"
 632 = Horizontal Burning "Red"

Notes:
 Life expectancy of all heating elements - 5,000 hours.
 All heating elements operate at 50 / 60 Hertz.

Quartz Tubes

Notes: Life expectancy of all heating elements - 5,000 hours.
 All heating elements operate at 50 / 60 Hertz.

MFG CATALOG NUMBER	MFG MODEL NUMBER	WATTS	VOLTS	LENGTH (IN.)		FITS MODEL	LIST
				Overall	Heated		
04432302	671-3784	1500	120	39 1/16	34 3/16	OCH-46	135
04418102	671-5061	2000	208	39 1/16	34 3/16		
04418002	671-3785	2000	240	39 1/16	34 3/16		
04419302	671-5018	2000	277	39 1/16	34 3/16		
04416602	671-5060	3000	208	50 1/16	45 3/16	OCH-57	150
04414702	671-3786	3000	240	50 1/16	45 3/16		
04419402	671-5059	3000	277	50 1/16	45 3/16		
04419502	671-5058	2250	480	50 1/16	45 3/16		
04403502	671-3454	450	120	12 15/16	8 7/16	FFH-912B	85
04400802	671-3492*	550	120	19 1/2	16	FFH-512A	91
04462402	671-5056	1000	120	18 3/16	14 3/16	CH-2212-1C	99
04462502	671-5057	1425	240	27 3/16	23 3/16	CH-6424-1C	114

*3/8" Diameter

- Medium wavelength infrared, color temp. emitting approx. 1800°F (bright orange glow)
- Approximately 60% radiant efficiency
- Nickel-Chromium alloy coiled element with porcelain end caps and pigtailed termination
- 5/8" Diameter frosted quartz envelope
- Fast heat-up/cool-down

Flat Panel Emitter Replacement Complete Conversion Kits - MR, CH, & FHK

CH & MR SERIES - FLAT PANEL EMITTER CONVERSION KITS						
MFG CATALOG NUMBER	MFG MODEL NUMBER	WATTS	VOLTS	LIST	FOR USE WITH OLD MODEL #:	
01358102	64337-022	3150	120	855	MR-420-1, CH-420-1C, CH-420-3A	
01358202	64337-023				MR-424-1, CH-424-1C, CH-424-1A	
01358302	64337-024				MR-427-1, CH-427-1C, CH-427-1A	
01358402	64337-025				MR-448-1, CH-448-1C, CH-448-1A	
01358502	64337-026				MR-457-1, CH-457-1C, CH-457-1A	
01358602	64337-027	4300	120	1055	MR-620-3, CH-620-3C, CH-620-3A	
01358702	64337-028				MR-624-3, CH-624-3C, CH-624-3A	
01358802	64337-029				MR-627-3, CH-627-3C, CH-627-3A	
01358902	64337-030				MR-648-3, CH-648-3C, CH-648-3A	
01359002	64337-031				MR-657-3, CH-657-3C, CH-657-3A	
01359102	64337-032	9500	120	1555	MR-1320-3, CH-1320-3B, CH-1320-3A	
01359202	64337-033				MR-1324-3, CH-1324-3B, CH-1324-3A	
01359302	64337-034				MR-1327-3, CH-1327-3B, CH-1327-3A	
01359402	64337-035				MR-1348-3, CH-1348-3B, CH-1348-3A	
01359502	64337-036				MR-1357-3, CH-1357-3B, CH-1357-3A	
01359602	64337-037	9500	120	1580	MR-2720-3, CH-2720-3C, CH-2720-3B	
01359702	64337-038				MR-2724-3, CH-2724-3C, CH-2724-3B	
01359802	64337-039				MR-2727-3, CH-2724-3C, CH-2724-3B	
01359902	64337-040				MR-2748-3, CH-2748-3C, CH-2748-3B	
01360002	64337-041				MR-2757-3, CH-2757-3C, CH-2757-3B	
FHK Series - Flat Panel Emitter Conversion Kits						
01360802	64337-049	4300	120	1085	FHK-620-3A	
01360902	64337-050				FHK-624-3A	
01361002	64337-051				FHK-648-3A	
01361102	64337-052	9500	120	1565	FHK-1320-3A	
01361202	64337-053				FHK-1324-3A	
01361302	64337-054				FHK-1348-3A	

Note: There are no element replacement kits for CH-2, MR-2, or FHK-2 model series heaters.

Variable Controllers



VHC-32

- Solid State phase angle variable “Triac” knob controller adjusts heat settings from 10-100% with heat loads up to 15.4-Amps.
- 208/240 VAC single-phase, single stage controller, 3200 Watt max.
- Positive “Off” & built-in On/Off Rocker switch lights “red” during operation.
- NEMA 1 Aluminum enclosure with stainless steel face plate designed for wall mounting or suitable for semi-recessed applications.
- Must be mounted in a protected area.
- Can either operate Quartz Lamps or Quartz Tube Infrared Heaters.



VHC-15

- Solid state variable device controls heat loads up to 15-Amps.
- 208/240Volt “In-Line” Controller.
- Built in On/Off knob switch with positive “off” & surface plate included.
- Designed for a 2” x 4” electrical wall box mounting (not supplied).
- Must be mounted in a protected area.
- Can only operate Fostoria Quartz Tube Infrared Heaters.

30-Amp or 80-Amp Enclosed



18D-2-80CF ENC.

- SCR Voltage Controller - 80 Amp MAX.
- Includes (1) 24-volt Potentiometer (3” square) to control the heat output.
- Only operates Quartz Lamps at 240 or 208-Volts, single phase only.
- Potentiometer can be mounted outside, but the SCR must be located in a protected area.
- Factory wired with millisecond fuses included.

MFG CATALOG NUMBER	MFG MODEL NUMBER	DESCRIPTION	DIMENSION (IN.)			WT. (LBS)	LIST
			Depth	Width	Height		
04853502	VHC-32	Variable Heat Controller 208/240-Volt; 15.4 Amp	3	5	5	3	639
04459402	VHC-15	Variable Heat Controller 120/208/240-Volt; 15 Amp	3	5	5	3	173
04459552	FTC-30	208/240-Volt; 28 Amp	2	5	5	3	286
04456302	18D-2-30CF (Open)	SCR Controller - 26 Amp MAX; No Enclosure	6	6	9	11	1236
04456402	18D-2-30CF (Enclosed)	SCR Controller - 26 Amp MAX; Enclosure Included	8	10	12	15	1648
04456502	18D-2-80CF (Enclosed)	SCR Controller - 80 Amp MAX; Enclosure Included	8	12	14	29	2678

Snow & Ice Detectors



CIT-1



APS-3C

- Main control unit for Automatic Snow & Ice Control Systems.
- By sensing both temperature and moisture the system activates and melts any snow & ice accumulations until conditions subside.
- NEMA 3R Enclosure is UL Listed and houses timers and switching electronics to operate the system.
- Capability to monitor up to 6 sensors (CIT-1).
- Unit can be manually activated and can be controlled and monitored from an optional remote switch (Model RCU-).
- Positioned above ground to maximize the sensors capability.
- Detects falling or blowing of precipitation such as snow when the temperature is below 38° F.
- Most common sensor device.

MFG CATALOG NUMBER	MFG MODEL NUMBER	DESCRIPTION	DIMENSION (IN.)			WT. (LBS)	LIST
			Depth	Width	Height		
03196100	APS-3C	Snow / Ice Control Switch	6.56	11.5	9.25	8	3193
03197600	CIT-1	General Purpose Snow Sensor	3.25	3.25	4.13	1	1030

Note: Any snow & ice control system should be used with the correct sized control panel (with contactors & fusing) as supplied by factory or your electrical contractor. The APS-3C requires a control device (RCU-1, CIT-1, SIT-6E) in order to operate properly and must use 120V.

Contactors Enclosures



FEC-30-120

- Economical load handling / switch device, ideal for use with other control equipment.
- NEMA 1 Enclosures.
- Load rating up to 600V Max., 3-Pole.
- Magnetic contactor.

MFG CATALOG NUMBER	MFG MODEL NUMBER	CONTACTOR AMPS	COIL VOLTAGE	CABINET SIZE (IN.)			WT. (LBS)	LIST
				Depth	Width	Height		
04408502	FEC-30-120	30	120	5	6	10	5	208
04408602	FEC-30-240		208/240					
04408702	FEC-60-120	60	120					
04408802	FEC-60-240		208/240					320

Note: Installer to provide overload protection for all infrared heaters.

Pre-Wired Contactor Panels



FPC2120



- Factory pre-wired for quick installation, with the following optional equipment:
 Snow & Ice Detector (APS-3C)
 Single & Two-Stage Thermostats
 Two-stage thermostats require a minimum 2-contactors.
- Step-down transformer and secondary fusing for 24V or 120V control circuit.
- 3-Phase load rated.
- Fuses are NOT included.
- NEMA 1 Enclosures.
- Max 50-Amp branch circuit fusing.
- Made in U.S.A.

Note: Contact factory for 3R, 4, 4X, & NEMA 12 “special” built models.

IMPORTANT FUSING INFORMATION

Fuses are NOT included since panels can be used with various infrared heat sources. Quartz Lamp Heat Sources: Use FRS-600V (or equal) “Time Delay” fuses; Class RK-5. Quartz Tube & metal Sheath Heat Sources: Use KTS-R 600V (or equal) “Fast Acting” fuses; Class RK-1. Fuse circuits as close to calculated load as possible. Circuits less than 35 Amps will require the use of fuse reducers. *One heater only per circuit.

Standard Models

120-V CONTROL SYSTEM		24-V CONTROL SYSTEM		MAX AMPS	VOLTS	CABINET SIZE (IN.)			WT. (LBS)	LIST
MFG CATALOG NUMBER	MFG MODEL NUMBER	MFG CATALOG NUMBER	MFG MODEL NUMBER			DEPTH	WIDTH	HEIGHT		
04459902	FPC8110	04864302	FPC8210	50	208	6.75	16	24	52	2109
04460002	FPC2110	04864402	FPC2210		240					
04460102	FPC7110	04864502	FPC7210		277/480					
04460202	FPC4110	04864602	FPC4210		480					
04460302	FPC8120	04864702	FPC8220	100	208	6.75	16	24	70	2595
04460402	FPC2120	04864802	FPC2220		240					
04460502	FPC7120	04864902	FPC7220		277/480					
04460602	FPC4120	04865002	FPC4220		480					
04460702	FPC8140	04865102	FPC8240	200	208	6.75	24	30	88	4056
04460802	FPC2140	04865202	FPC2240		240					
04460902	FPC7140	04865302	FPC7240		277/480					
04461002	FPC4140	04865402	FPC4240		480					
04461102	FPC8160	04865502	FPC8260	300	208	6.75	30	36	106	4434
04461202	FPC2160	04865602	FPC2260		240					
04461302	FPC7160	04865702	FPC7260		277/480					
04461402	FPC4160	04865802	FPC4260		480					

Note: Products listed in this section are custom built and subject to 100% cancellation/restock charges.

Electric Infrared Heating Controls - ICP Control Panels

GENERAL: ICP panels are built with NEMA rated enclosure and sub panels for mounting electrical controls for use in staging and control of electric heating products. Panels are designed to comply with local and national codes for in the field connections of TPI Corporation heating products.

CONTROLS: Controls for electric heating products shall include, but not be limited to, the following standard controls for TPI Corporation electric heating products:

- Door interlock disconnect switch for single point field power connection
- Circuit breakers sized for AMP load of individual heater rating
- Definite purpose disconnecting contactor for each heater circuit
- Line terminal block for field connection to heater
- Ground lugs as required by NEC
- Control transformer for control circuit

OPTIONAL CONTROLS:

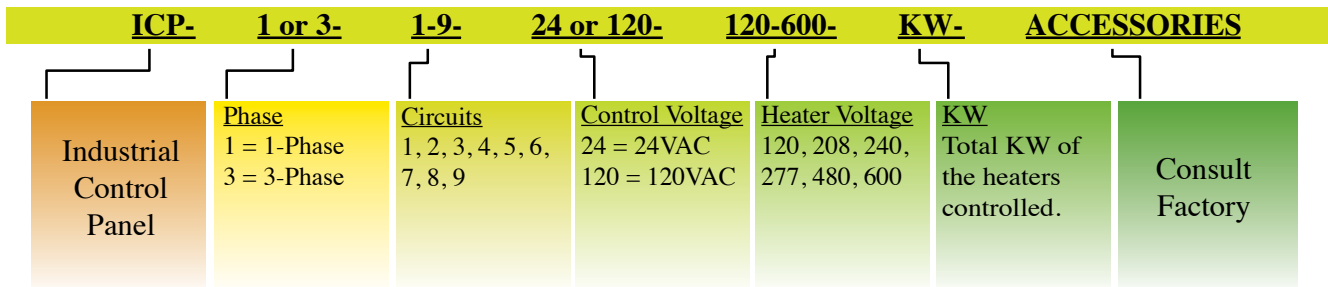
- Snow and ice melting controllers:
 - TPI controller - 120V field connection to controller
 - Field supplied controllers must specify required voltage
- SCR proportional controllers:
 - Potentiometer for manual control of infrared heaters
 - 4-20 MA signal field supplied for control of infrared heaters

OPTIONAL ACCESSORIES:

- Power on indicator pilot lights
- Staging energized pilot lights
- Pilot switches for manual control per heaters
- Timer for internal control of heater cycle



HOW TO DESIGNATE A MODEL:



TPI Corporation manufactures the ICP panel for control of electric infrared heating products. The models listed below are standard infrared products and all volts, phase, and amps can be seen in the charts provided by TPI on the pages that correspond to the series.

INFRARED HEATER SERIES	HEATER DESCRIPTION
FSS	EMITTER TYPE BLACK BODY HEATER WITH GOLD ANODIZED REFLECTOR
TH	QUARTZ LAMP PAINTED STEEL FIXTURE WITH GOLD ANODIZED REFLECTOR
THSS	QUARTZ LAMP STAINLESS STEEL FIXTURE WITH GOLD ANODIZED REFLECTOR
OCH	OUTDOOR/INDOOR SINGLE LAMP QUARTZ TUBE ELEMENT
RPH	OUTDOOR RATED STAINLESS STEEL SINGLE ELEMENT



ICP panels are custom made and designed to be used with any TPI infrared heating product. Each panel requires an individually wired circuit for field connection to the panel from the heater. ICP panels are designed and constructed with all controls, factory wired, and ETL listed.

Standard Controls

- NEMA 4 outdoor rated industrial gray powder coated
- Door interlock disconnect switch
- Circuit breaker sized for heater load per stage
- Disconnecting magnetic contactor per stage
- Terminal block for field connection to heater per stage
- 24 Volt transformer (120 Volt transformer optional for snow/ice detectors)
- Control terminal block for connection to staging control



NUMBER OF STAGES	PANEL SIZE	LIST
1	24" x 24" x 8"	2,500
2		3,000
3		3,500
4	30" x 30" x 8"	4,000
5		5,000
6		5,500
7	36" x 36" x 8"	6,000
8		7,500
9	48" x 36" x 8"	8,000

Note: Panel size subject to change depending on options selected.

Note: Products listed in this section are custom built and subject to 100% cancellation/restock charges.

Snow/Ice Detection Information

- Snow and ice units activate the system and melts any snow and ice accumulations until conditions subside based on detection of temperature and moisture.
- 120 Volt control required for use with TPI supplied snow and ice melting options. This can be indicated by selecting 120 for control voltage option in the model number designator.
- Snow/Ice control switch: APS-3C (capability of monitoring 6 snow sensors) NEMA 3R Enclosure is UL Listed and houses timers and switching electronics to operate the system.

Additional Panel Information

- All heater stages are wired to control terminal block individually and can be controlled individually or grouped together for multiple heaters to be energized by one thermostat or field supplied controller as required.
- Infrared heating products can be economically controlled using SCR proportional controls. Proportional controls can be operated by potentiometer built into the control panel with a manual dial or field wired to building management system using 4-20 MA input to the control panel by control system.
- Timers to allow heater to operate for designed time can be mounted in the control panel to turn heater off in areas where occupancy is intermittent, such as smoking areas or public platforms.
- Panel sizes can vary with additional optional controls - consult factory.



FSP Series Heavy Duty Flat Panel Emitter Electric Portable Infrared Heater

Stand Models

Hand Cart Models



- High density medium wave radiant heat with 60° symmetrical heat pattern.
- 25,000 hour element life expectancy
- Approximately, 78.5% efficient versus 50% for metal sheath type elements.
- Rugged flat panel emitter can be used in high vibration areas
- Single or three phase available on select models
- Heavy duty wire guard mounted on long lasting gold anodized reflector
- Made in U.S.A.

Square Feet Heated

KW	NON-PROTECTED AREA		SEMI-PROTECTED AREA		Required Clearance (from front of heater)
	BELOW 35 °F	ABOVE 35 °F	BELOW 35 °F	ABOVE 35 °F	
1.45	25	36	40	50	3 feet
3.15	64	75	90	125	3 feet
4.3	85	100	120	150	4 feet
9.5	192	225	270	375	7 feet

Standard FSP Models

MFG CATALOG NUMBER	MFG MODEL NUMBER	WATTS	VOLTS	PHASE	BTUs / Hr.	AMPS		WT. (LBS)	LIST	FSP Replacement Elements			OPTIONAL 25' POWER CORD		
						1 PH	3 PH			MFG CATALOG NUMBER	MFG MODEL NUMBER	LIST	MFG CATALOG NUMBER	MFG MODEL NUMBER	LIST
04883802	FSP-3120-1	3150	208	1	10,749	15.4	N/A	23	1150	01356602	64337-007	689	08804600	SO 14/3	112
04883902	FSP-3124-1	3150	240	1		13.13	N/A			01360202	64337-043		08804600	SO 14/3	
04884002	FSP-3127-1	3150	277	1		11.37	N/A			01356802	64337-009		08804600	SO 14/3	
04884102	FSP-3148-1	3150	480	1		6.56	N/A			01360302	64337-044		08804600	SO 14/3	
04884202	FSP-3157-1	3150	600	1		6.48	N/A			01357002	64337-011		08804600	SO 14/3	
04884302	FSP-4320-3	4300	208	1 or 3	14,972	20.67	11.94	32	1480	01361402	64337-055	863	03164201	SO 12/4	153
04884402	FSP-4324-3	4300	240	1 or 3		17.91	10.36			01360402	64337-045		08804900	SO 14/4	141
04884502	FSP-4327-1	4300	277	1		15.52	N/A			01361502	64337-056		08804600	SO 14/3	112
04884602	FSP-4348-3	4300	480	1 or 3		8.96	5.18			01360502	64337-046		08804900	SO 14/4	141
04884702	FSP-4357-3	4300	600	1 or 3		7.48	7.48			01357502	64337-016		08804900	SO 14/4	141
04884802	FSP-9520-3	9500	208	1 or 3	32,414	45.67	26.39	46	2050	01361602	64337-057	910	08805100	SO 8/4*	291
04884902	FSP-9524-3	9500	240	1 or 3		39.68	22.89			01360602	64337-047		08805100	SO 8/4*	291
04885002	FSP-9527-1	9500	277	1		34.3	N/A			01361702	64337-058		08805200	SO 8/3	258
04885102	FSP-9548-3	9500	480	1 or 3		19.79	11.44			01360702	64337-048		03164201	SO 12/4	153
04885202	FSP-9557-3	9500	600	1 or 3		16.52	9.54			01362702	64337-063		08804900	SO 14/4	141

*3 Phase only

Factory Pre-Wired FSP-14 Model With 15 Ft. Cord & Grounded Plug

MFG CATALOG NUMBER	MFG MODEL NUMBER	TYPE	WATTS	VOLTS	PHASE	BTUs / Hr.	AMPS	WT. (LBS)	LIST
04883702	FSP-1412-1C	STAND	1450	120	1	4947	12.1	17	980

Infrared Control Options

MFG CATALOG NUMBER	MFG MODEL NUMBER	DESCRIPTION	Operating Voltage (VAC)	Dimensions (In)			WT. (LBS)	LIST
				Ht.	Wd.	Dp.		
04858102	TO-SK-1	Tip-Over Switch	208V - 600V	10.3	10.3	5.0	12	422
05893702	DC-SK-1	Disconnect Switch	120V - 600V	5.0	6.0	4.0	5	378
04860202	GF-SK-1	Ground Fault Sensing Switch	208V - 600V	10.3	10.3	5.0	12	774

Model "TO" & "GF" features include a positive "off" & a built-in on/off rocker switch that glows red during operation. Additionally, enclosure can mount directly to the terminal box on the back of the heater (FSP-43/95 only) or be mounted to a remote wall surface.



TO-SK-1 or GF-SK-1

Note: All SK-1 Models have NEMA-1 Enclosure, 50-Amp Max. & 1/3-Phase Rated.

CH Series Portable Quartz Infrared Heater



Chain mounted
CH 2212-1C



Portable Cart Unit CH 6424-1C
with FHK-1 Cart

MODEL CH 2212-1C has two 1000 Watt elements that can be switched on / off by toggle switches to produce 1000 Watts or 2000 Watts of heat. - 15' cord and NEMA 5-20 molded plug.

MODEL CH 6424-1C has two sets of 1425 Watt elements that can be switched on / off by toggle switches to produce 2850 Watts or 5700 Watts of heat. - 15' cord and NEMA L6-30 twist lock plug.

- 60° symmetrical heat pattern.
- Interior or protected outdoor use only.
- Made in U.S.A.
- Quartz tubes and built in wire guards included.
- GOLD anodized Aluminum reflector and end caps.

MFG CATALOG NUMBER	MFG MODEL NUMBER	KW	BTUs	VOLTS	PHASE	AMPS	WT. (LBS)	LIST	
08840910	CH-2212-1C	2.0 / 1.0	6826 / 3413	120	1	16.7 / 8.35	16	581	
08841010	CH-6424-1C	5.7 / 2.85	19454 / 9727	240	1	23.8 / 11.9	31	957	
08524002	FHK-1	OPTIONAL CART						20	141



Note: CH-2212-1C operates with a 20- Amp molded plug.



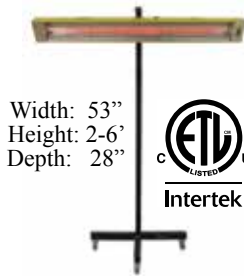
Note: CH-6424-1C operates with a 30- Amp twist lock plug.



Listed for overhead operation

PCH Series Portable Quartz Infrared Spot Heater

Portable Infrared Instant On-Off Heat Gun



Width: 53"
Height: 2-6'
Depth: 28"



Features

- Suitable for portable spot heat or for curing clear coat paint
- Height adjustable from 2' to 4'
- On-Off rocker switch standard
- 4 casters included; Tip-Over power cutoff safety switch
- 60° symmetrical heat pattern
- 5/8" diameter quartz tube included

- Average element life is 5000 hours
- Bright Aluminum reflector and end caps
- 20 gauge powder coated Steel housing
- 15' long, 3 wire (14/3) cordset with standard 3 pring NEMA 5-20P
- Made in U.S.A.

MFG CATALOG NUMBER	MFG MODEL NUMBER	WATTS	BTUs	VOLTS	PHASE	WT. (LBS)	LIST
08841110	PCH-48C	1500	5120	120	1	30	563



Features

- Provides instant spot heat in a controlled pattern
- Spot cure retouched paint and other finishes
- De-wrinkle or relax materials such as cloth-vinyl-leather
- T-3 Tungsten IR lamp
- Ergonomically friendly, easy-grip handle

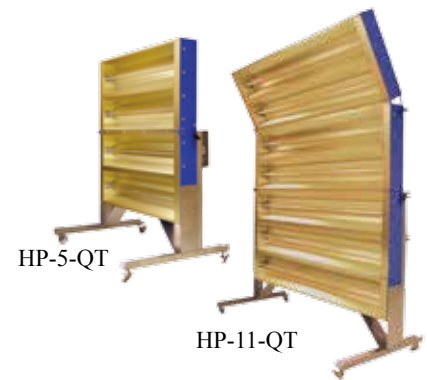
- 20' long, 18/3 grd. cordset with GFCI plug
- Made in U.S.A.

MFG CATALOG NUMBER	MFG MODEL NUMBER	WATTS	VOLTS	AMPS	WT. (LBS)	LIST
05922802	RHG-1012A	1000	120	8.4	3	2125

Portable Electric Infrared Heat Panels

Features

- Portable panels are built to withstand rigors of industrial and heavy-commercial applications, such as auto collision repair shops.
- 20 gauge steel frame, base, and housing construction.
- 3" steel casters for high stability and ease of mobility
- Gold anodized Aluminum reflectors and end caps allow 10% faster cure time than polished Aluminum reflectors, especially in paint and dust-laden atmospheres.
- Elements achieve full temperature in less than 2 minutes
- Fused disconnect switches are installed on the back of each unit.
- Units are positioned with adjustable hinges allowing the user to use direct heat more precisely to the target area.
- Gentle but effective medium-wave radiant heat can quickly boost, flash-off, or cure a variety of finishes, and lessens the chance of blistering and/or overheating the coating.
- Medium-wave infrared heating elements are also effective for flash-off of water-based clear coatings being mandated by environmental agencies in many states.
- Made in U.S.A.



General Curing Guidelines

Material Type	Solvent Based Primer	Water Based Primer	Two Component Primer	Water Based Clear Coat	Acrylic enamel & Polyurethane Clear Coat	Urethane Clear Coat & High Solids Top Coat
Curing Time	3-5 mins	3-6 mins	8-20 mins	3-10 mins	12-30 mins	10-30 mins

Note: Curing times will vary depending on material and shop conditions. This chart is based on distances of 18-24" away from the target area.

Standard Models

MFG CATALOG NUMBER	MFG MODEL NUMBER	WATTS	VOLTS	AMPS	HEAT SOURCES	CABLE TYPE (20')	DIMENSION (IN.)		HEATED AREA (IN.)		WT. (LBS)	LIST
							Width	Height	Width	Height		
08841202	HP-5-QT	4,800	240	20	4	12-3 SO	44 3/8	56 1/2	40	44	116	2892
08841302	HP-6-QT	6,400		26.7	4		66 3/8	89 1/2	61	77	141	3343
08841402	HP-11-QT	11,200		46.7	7		6-3 SO				225	6154

FES Series Product Features & Information



AVERAGE MINUTES TO ACHIEVE TEMPERATURE RISE*						
BUILDING SIZE:	1000 SQ. FEET		1500 SQ. FEET		2000 SQ. FEET	
	TEMP RISE		TEMP RISE		TEMP RISE	
HEATER:	20 °F	40 °F	20 °F	40 °F	20 °F	40 °F
9/ 10 KW	70 min	140 min	105 min	210 min	---	---
15 KW	47 min	94 min	71 min	142 min	94 min	188 min
30 KW	23 min	46 min	35 min	70 min	47 min	94 min
45 KW	10 min	30 min	20 min	35 min	35 min	40 min

* Based on a 15' ceiling height - lower ceiling height will reduce time required

- Safety yellow heater enclosure with safety screens on both air intake and output openings.
- Optional 25' long SO type cord, ready for plug attachment is available for each model.
- Long-life finned tubular heating elements.
- Thermostat adjustment 40° to 100° F.
- Magnetic contactor.
- High-limit thermal cutout switch. / Automatic reset.
- Fan only operation.
- 10" wheels.
- 800 CFM: 9, 10, & 15KW units - 1100 CFM-30KW units.
- Made in U.S.A.

THE ELECTRIC
ALTERNATIVE TO
PROPANE AND
KEROSENE SPACE
HEATERS

Standard FES Models

MFG CATALOG NUMBER	MFG MODEL NUMBER	KW	BTUs	VOLTS	PH	AMPS	TEMP RISE	WT. (LBS)	LIST
08860110	FES-1520-3A	15	51195	208	3	42	45°F	65	1708
08860710	FES-1524-1A	15	51195	240	1	63	45°F	69	
08860210	FES-1524-3E	15	51195	240	3	36	45°F	65	
08860310	FES-1548-3E	15	51195	480	3	18	45°F	65	
08860402	FES-1560-3A	15	51195	600	3	15	45°F	65	
08860510	FES-3048-3A	30	102390	480	3	36	90°F	83	2693
08860602	FES-3060-3A	30	102390	600	3	29	45°F	65	2828

OPTIONAL 25' POWER CORD*			
MFG CATALOG NUMBER	MFG MODEL NUMBER	AMP RATING	LIST
03164001	SO 6/4	45	320
08805300	SO 4/3	70	278
03164201	SO 12/4	20	154

9 & 10 KW, 240V, 1Phase factory pre-wired model with 10 ft. cable & straight blade range plug.

*Plug not included.



MFG CATALOG NUMBER	MFG MODEL NUMBER	KW	BTUs	VOLTS	PHASE	AMPS	TEMP RISE	WT. (LBS)	LIST
08744302	FES-0924-1C	9	30717	240	1	38	25°F	55	1626
08860010	FES-1024-1CA	10	34130	240	1	42	30°F	60	1626

45 Kilowatt FES Model

OPTIONAL 25' POWER CORD		
MFG CATALOG NUMBER	MFG MODEL NUMBER	LIST
03164301	SO 4/4	325
03164001	SO 6/4	320

- Safety yellow heater enclosure with safety screens on both air intake and output openings.
- Optional 25' long SO type cord, ready for plug attachment is available for each model.
- Long-life finned tubular heating elements.
- Thermostat adjustment 40° to 110° F.
- Two 10" rear wheels and a front locking caster.
- High-limit thermal cutout switch with manual reset.
- 2200 CFM
- Fan only operation feature
- Made in U.S.A.



Standard YES Models

- Wall / ceiling mount included with unit
- Made in U.S.A.
- Unit is ready for direct wiring
- Thermostat adjustment 40° to 100° F.

MFG CATALOG NUMBER	MFG MODEL NUMBER	KW	BTUs	VOLTS	PHASE	AMPS	TEMP RISE	WT. (LBS)	LIST
08860810	YES-1520-3A	15	51195	208	3	42	45°F	60	1626
08861810	YES-1524-1A	15	51195	240	1	63	45°F		
08860910	YES-1524-3E	15	51195	240	3	36	45°F		
08861010	YES-1548-3E	15	51195	480	3	18	45°F		
08861210	YES-3048-3A	30	102390	480	3	36	90°F	72	2564



Wall Mounted



Ceiling Mounted

198 Series 120 Volt Radiant and/or Fan Forced Portable Heater

- 3-Heat settings:
 - 600 Watt radiant
 - 900 Watt fan forced
 - 1500 Watt radiant & fan forced
- Temperature control thermostat
- Dual safety system:
 - Tip over switch
 - Manual reset type limit control
- 6' long - 3 conductor cord
- 1 year limited warranty
- Imported to TPI Corporation specifications

Width: 11"
Height: 15"
Depth: 12"



Standard Models

MFG CATALOG NUMBER	MFG MODEL NUMBER	WATTS	MAX BTUs	VOLTS	AMPS	PHASE	WT. (LBS)	LIST
04450902	198 TMC	1500 / 900 / 600	5120	120	12.5 / 7.5 / 5	1	9	158



178 Series 120 Volt Ceramic Fan Forced Portable Heater



- Two heat settings: 1500W / 950W plus fan only setting (20W)
- Temperature control thermostat
- 6' long - 3 conductor cord
- Double safety system:
 - Automatic reset type limit control
 - Thermal cut-off device
- Imported to TPI Corporation specifications

Width: 11 1/4"
Height: 10"
Depth: 7"

Standard Models

MFG CATALOG NUMBER	MFG MODEL NUMBER	WATTS	MAX BTUs	VOLTS	AMPS	PHASE	WT. (LBS)	LIST
04459302	178 TMC	1500 / 950	5120	120	12.5 / 7.1	1	8	141

Note: Photograph is a representation of stocked models. Actual model may vary in appearance.

188 Series 120 Volt "Milk-house" Style Fan Forced Portable Heater

- 1300W & 1500W heat settings plus fan only setting
- Temperature control thermostat
- 6' long - 3 conductor cord
- Triple safety system:
 - Tip over switch
 - Automatic reset type limit control
 - Thermal cut-off device
- Imported to TPI Corporation specifications

Width: 10"
Height: 16"
Depth: 9 1/2"



Standard Models

MFG CATALOG NUMBER	MFG MODEL NUMBER	WATTS	MAX BTUs	VOLTS	AMPS	PHASE	WT. (LBS)	LIST
08004102	188 TASA	1500 / 1300	5120	120	12.5 / 10.8	1	9	94



E3915 Series Portable Hydronic Baseboard



- Manual reset limit control
- 2 stage thermostat (750 Watt / 1500 Watt)
- Positive On / Off switch
- Heavy duty cabinet construction
- Includes heavy duty carry handle



MFG CATALOG NUMBER	MFG MODEL NUMBER	WATTS	MAX BTUs	VOLTS	AMPS	PHASE	WT. (LBS)	LIST
01186702	E3915-60P	1500/750	5120	120	12.5 / 6.25	1	35	737

483 Series 120 Volt Portable Baseboard Convection Heater

- 1500 Watt convection heater
- Temperature control thermostat
- Manual reset type limit control
- Power on indicator light
- 6' long - 3 conductor cord
- Imported to TPI Corporation specifications

Width: 48"
Height: 5 1/4"
Depth: 7 1/2"



Standard Models

MFG CATALOG NUMBER	MFG MODEL NUMBER	WATTS	MAX BTUs	VOLTS	AMPS	PHASE	WT. (LBS)	LIST
08708802	483 TM	1500	5120	120	12.5	1	13	166



474 Series 240 Volt Dual Heat Fan Forced Portable Heater



- 1920W & 3840W heat settings
- Temperature control thermostat
- Manual reset type limit control
- 6' long - 3 conductor cord
- Imported to TPI Corporation specifications

Width: 16"
Height: 16"
Depth: 8 1/2"



MFG CATALOG NUMBER	MFG MODEL NUMBER	WATTS	MAX BTUs	VOLTS	AMPS	PHASE	WT. (LBS)	LIST
04461802	H474TM-C	1920/3840	13106	240	8.0 / 16.0	1	20	251

5800 Series Garage/Workshop 240/208 Volt Fan Forced Portable Heater



- Up to 4800 Watts of heating comfort for garage or utility room applications
- 4000 Watts available for smaller areas.
- Built in bi-metal double pole thermostat - 50° to 90° range.
- Steel tubular heating element
- Wall/Ceiling bracket included
- Manual reset standard
- Power on and overheat pilot lights

- Imported to TPI Corporation specifications

ITEM	WIDTH	HEIGHT	DEPTH
Heater	10.625	11"	9.625"
Bracket	2.5"	10"	14.0"

MFG CATALOG NUMBER	MFG MODEL NUMBER	WATTS	MAX BTUs	VOLTS	AMPS	PHASE	PLUG TYPE	WT. (LBS)	LIST
05034002	HF5840TC	4000/3000	13652	240 / 208	16.6 / 14.4	1	20 Amp	17	239
05033902	HF5848TC	4800/3600	15086		20 / 17.3		30 Amp		319

ICH Series 240/208 Volt Construction Site/Utility Fan Forced Portable Heater

- Operates on 240V or 208V
- Steel tubular heating element
- 43°F air heat rise
- Internal overheat thermostat
- Temperature control thermostat
- 6' long cordset

- Imported to TPI Corporation specifications



Width: 10 5/8"
Height: 12 3/4"
Depth: 10"



MFG CATALOG NUMBER	MFG MODEL NUMBER	WATTS	MAX BTUs	VOLTS	AMPS	PHASE	WT. (LBS)	LIST
04508702	ICH-240C	4000 / 3000	13648	240 / 208	16.7 / 14.4	1	15	263

680 Series "Bulldog" 240/208 Volt Fan Forced Portable Unit Heater

Swivel base allows unit to be wall, floor, or ceiling mounted.



- Operates on 240V or 208V
- Finned steel tubular heating element
- Internal manual reset thermal cut-out
- 6' long cord with molded plug
- Temperature control thermostat with 35°F to 85°F range
- 10' air throw - 262 CFM
- Imported to TPI Corporation specifications



Width: 13 1/2"
Height: 17 1/2"
Depth: 11 1/2"

MFG CATALOG NUMBER	MFG MODEL NUMBER	WATTS	MAX BTUs	VOLTS	PHASE	AMPS	TEMP RISE	WT. (LBS)	LIST	
04462802	*HF684TC	4000/3000	13652/10239	240/208	1	16.7/14.5	48°F	20	401	
04462902	HF685TC	4800/3600	16384/12288	240/208	1	20.0/17.4	58°F	20	420	
04463002	HF686TC	5600/4200	19107/14330	240/208	1	23.4/20.2	75°F	20	471	
06835002	A1560	OPTIONAL WALL CEILING BRACKET FOR HF680 & ICH 240C SERIES HEATERS								80

* HF684TC UL listed only

"Under-The-Desk" Confined Space Radiant Heat Panel



- Use under desks for personal comfort or in small areas for freeze protection or moisture removal.
- Built in stand.
- Temperature control thermostat.
- 6' long - 3 conductor cord
- Made in U.S.A.

Width: 22 3/4"
Height: 8"
Depth: 1 1/4"

Standard Models

MFG CATALOG NUMBER	MFG MODEL NUMBER	WATTS	BTUs	VOLTS	PHASE	WT. (LBS)	LIST
04508802	170-TS	170	580	120	1	9	172

Specialty Heaters

RPH Series Pump House Convection Specialty Heater



- Provides protection against freezing for pump houses, utility rooms, relay stations, construction sheds, etc.
- Aluminum finned heating element
- Powder coated epoxy steel case
- Automatic temperature control thermostat with a 30°F to 140°F range.
- Dimension 20" x 5 1/2" x 4"
- Made in U.S.A.

Standard Models

MFG CATALOG NUMBER	MFG MODEL NUMBER	WATTS	BTUs	VOLTS	AMPS	WT. (LBS)	LIST
09990802	RPH1-5A	500	1706	120	4.2	5	213
09990902	RPH2-5A	500	1706	240	2.1	5	
International Models							
09842602	RPH22-5Ai	500	1706	220	2.3	5	213
09842702	RPH2-5Ai			240	2.1		

FH Series In-Floor Fan Forced Specialty Heater



- Powder coated 20 gauge steel case
- 14 gauge grill
- Steel spiral finned heating element
- Auto reset thermal cut out with audible alarm.
- Floor opening: 14 1/8" x 7 1/4" x 7 3/8"
- Grill dimensions: 15 13/16" x 8 13/16"
- Made in U.S.A.

Standard Models

MFG CATALOG NUMBER	MFG MODEL NUMBER	WATTS	BTUs	VOLTS	AMPS	WT. (LBS)	LIST
03782302	FH15	750	2560	120	6.25	15	638
		1500	5120	120	12.5		
		1500/1125	5120 / 3840	240/208	6.25/5.41		
OPTIONAL FIELD INSTALLED THERMOSTATS							
03782702	FH1T	Single Pole Integral Thermostat Kit				1	161

TSH Series Fan Forced Kickspace Specialty Heater



- Fits into soffits, stair risers or under utility cabinets
- Finned steel heating element.
- Manual reset thermal cut-out
- Recessed opening: 22 3/8" x 3 5/8" x 11 1/2"
- Grill dimensions: 23 7/8" x 3 5/16"
- Made in U.S.A.

Standard Models

MFG CATALOG NUMBER	MFG MODEL NUMBER	WATTS	BTUs	VOLTS	AMPS	WT. (LBS)	LIST
03818002	TSH20J	1500 / 1000	5120 / 3412	120	12.5 / 8.4	16	364
		1500 / 750	5120 / 2560	208	7.2 / 3.6		
		2000 / 1000	6284 / 3412	240	8.4 / 4.2		
09701702	TSH20JW	Above Model with White Grill					
OPTIONAL FIELD INSTALLED THERMOSTATS							
03783702	TSH1TX	Single Pole Integral Thermostat Kit				1	84
03783802	TSH2TX	Double Pole Integral Thermostat Kit				1	

CF-C Series TPI Commercial Air Curtains



Features

- Super thin body, full metal housing
- Cross flow, 2-speed fans
- Adjustable air deflector
- Mechanical control
- Units are 120V at 60Hz

Standard Models



MFG CATALOG NUMBER	MFG MODEL NUMBER	WATTS	CFM		FPM		NOISE LEVEL (dB)		DIMENSIONS			WT. (LBS)	LIST
			HIGH	LOW	HIGH	LOW	HIGH	LOW	"L"	"W"	"H"		
08764402	CF35-C	300	1177	942	2560	1968	67	65	35"	8 3/4"	10 1/4"	33.1	400
08764502	CF47-C	350	1648	1295	2560	1968	69	67	47"			43	464
08764602	CF59-C	400	2119	1648	2560	1968	71	69	59"			48.5	555

CF & CFH Series Variable Speed Air Curtains

Product Specifications

CABINET & CONSTRUCTION: Shall be constructed of 20 gauge rigid steel with baked on epoxy powder coat paint for durability. Made in U.S.A.

DISCHARGE VANES: Shall extend the entire width of the unit and be adjustable for optimum performance of air flow.

BLOWERS: Shall be forward curved centrifugal type, DWDI with corrosion resistance scroll and wheel.

MOTORS: Shall be heavy duty, PSC, direct drive high efficiency and designed for use with SCR controllers. Motors shall be permanently lubricated for long life and have thermal over load protection. Motor shall have double insulation protection for quieter operation. Quick disconnects shall be supplied to accommodate easy installation and service of motor.

SCR SPEED CONTROLLER: Supplied on all units compatible with the motor with low end adjustment for air volume control and savings in power consumption.

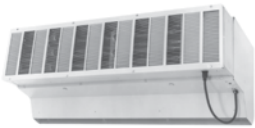
ELECTRIC HEAT (OPTIONAL): Electric heater available as field installed option. Electric heater shall be steel sheath element with helical wound steel fins for maximum heat transfer and safety.



Intertek



MFG CATALOG NUMBER	SIZE (in)	MFG MODEL NUMBER	FT. / MIN. HI - LOW	NOZZLE CFM	VOLTS	RPM HI - LOW	AMPS HI - LOW	WATTS HI - LOW	WT. (LBS)	LIST	
STANDARD UNITS: 1/2 HP MODELS - UP TO 10' HIGH DOORWAYS - WITHOUT HEAT SECTION											
06712002	36	CF36	3288/455	2672/333	120	1659/620	3.9/3.4	472/154	74	1673	
06712102	48	CF48	4168/786	4515/766		1606/583	4.4/3.6	519/189	82	1814	
06712202	60	CF60	4168/764	6544/931		1636/562	4.4/3.8	509/199	90	1956	
120	72	2 EA: CF36	3288/455	5344/666		1659/620	7.8/6.8	944/308	148	3249	
	96	2 EA: CF48	4168/786	9030/1532		1606/583	8.8/7.2	1038/378	164	3521	
	108	3 EA: CF36	3288/455	8016/999		1659/620	11.7/10.2	1416/462	222	4874	
	120	1 EA: CF48	4168/786	9859/1432		1606/583	12.2/10.4	1982/497	230	5009	
	2 EA:CF36	2672/333		1659/620							
HEAVY DUTY UNITS: 3/4 HP MODELS - UP TO 12' HIGH DOORWAYS - WITHOUT HEAT SECTION											
06712302	36	CFHD36	3288/1120	2672/819		120	1689/603	4.4/4.3	603/192	77	1761
06712402	48	CFHD48	4256/929	4611/906	1662/500		5.9/4.8	586/168	85	1902	
06712502	60	CFHD60	4256/924	5763/1126	1652/509		5.2/4.4	708/172	93	2048	
120	72	2 EA: CFHD36	3288/1120	5344/1638	1689/603		8.8/8.6	1206/384	154	3419	
	96	2 EA: CFHD48	4256/929	9222/1812	1662/500		11.8/9.6	1172/336	170	3693	
	108	3 EA: CFHD36	3288/1120	8016/2457	1689/603		13.2/12.9	1809/576	231	5128	
	120	1 EA: CFHD48	4256/929	9955/2544	1662/500		14.7/13.4	2981/552	239	5264	
	2 EA: CFHD36	3288/1120		1689/603							



Air Curtain with Heater Module

NOTE: All heating sections are constructed of totally enclosed fin tubular elements for safety and longer operating life. With heating section installed, unit becomes a 24 Volt control unit and can utilize a low voltage thermostat for control of heating.

NOTE: For 72" through 120" units, order multiple heater modules corresponding to the actual air curtain models

EXAMPLE					Use the example shown (left) to order unit with heat section by specification
Model #	Unit Width	KW	Volts	Phase	
CFHTR	36	10.0	208	3	

MFG MODEL	HEATER WIDTH	KW	VOLTS	PHASE	HEATER AMPS	MINIMUM CIRCUIT AMPS	MAXIMUM FUSE AMPS	BTU/H	75°C WIRE AWG	LIST
CFHTR	36, 48, or 60 Inch Width NOTE: 12KW MAXIMUM ON 36" WIDTH UNITS	3	208	3	8.3	10.4	15	10,239	14	36" - 1280 48" - 1413 60" - 1462
			240		7.2	9.0	15		14	
			480		3.6	4.5	15		14	
			277		10.8	13.5	15		14	
			208		14.4	18.0	20		12	
			240		12.5	15.6	20		12	
		5	208	13.8	17.25	20	12	17,075	12	
			240	12.0	15.0	20	12			
			480	6.0	7.5	15	14			
			277	18.0	22.5	25	10			
			208	24.0	30.0	35	8			
			240	20.8	26.6	30	10			
		7.5	208	20.8	26.0	30	10	25,597	10	
			240	18.0	22.5	25	10			
			480	9.0	11.3	15	14			
			277	27.0	33.8	40	8			
			208	36.0	45.0	50	6			
			240	31.2	39.0	45	8			
		10	208	27.7	34.4	40	8	34,130	8	
			240	24.0	30.1	35	8			
			480	12.0	15.0	20	12			
			277	36.1	45.1	50	6			
			240	41.6	52.0	60	6			
			208	33.3	41.6	45	8			
12	240	28.8	36.0	40	8	40,956	8			
	480	14.4	18.0	20	12					
	277	43.3	54.1	60	6					
	208	41.6	52.0	60	6					
	240	36.0	36.0	55	6					
	480	18.0	18.0	30	10					

ET5 Series - Line Voltage



Features

- Single pole and double pole
- Heat only, cool only, & heat or cool
- DP models include positive off
- Celsius and Fahrenheit temperature scale
- Heating: 22A @120-277VAC resistive
- Cooling: 3/4HP @ 125VAC / 1.5HP @ 250/277 VAC
- Range: 50-90°F (unless otherwise noted)
- Made in U.S.A.

MFG CATALOG NUMBER	MFG MODEL NUMBER	DESCRIPTION	RANGE	THERMO.	CONNECTIONS	LIST
05387202	AET5DWS*	DPST Heat Only	50-90°F	No	Wire Leads	50
05387302	AET5SWS*	SPST Heat Only	50-90°F	No	Wire Leads	45
05388802	ET5DS	DPST Heat Only	50-90°F	No	Terminals	39
05387402	ET5D4S	DPST Heat Only	35-75°F	No	Terminals	40
05387502	ET5DTS	DPST Heat Only	50-90°F	Yes	Terminals	41
05387602	ET5DWS	DPST Heat Only	50-90°F	No	Wire Leads	40
05387702	ET5MS	2 Stage Heat Only	50-90°F	No	Terminals	43
05387802	ET5SS	SPST Heat Only	50-90°F	No	Terminals	34
05387902	ET5S4S	SPST Heat Only	35-75°F	Yes	Terminals	37
05388002	ET5SRS	SPST Cool Only	50-90°F	No	Terminals	34
05388902	ET5SRTS	SPST Cool Only	50-90°F	Yes	Terminals	37
05388102	ET5STS	SPST Heat Only	50-90°F	Yes	Terminals	37
05388202	ET5SWS	SPST Heat Only	50-90°F	No	Wire Leads	39
05388302	ETD5MS	2 Stage Heat, 1 Stg Cool	50-90°F	No	Terminals	43
05388402	ETD5MTS	2 Stage Heat, 1 Stg Cool	50-90°F	Yes	Terminals	45
05388502	ETD5SS	SPDT Heat or Cool	50-90°F	No	Terminals	37
05388602	ETD5STS	SPDT Heat or Cool	50-90°F	Yes	Terminals	39

* indicates anticipated models

ET9 Series - Line Voltage



Features

- Single pole and double pole
- Heat only, cool only, & heat or cool
- DP models include positive off
- Celsius and Fahrenheit temperature scale
- Thermometer standard
- Heating: 22A @120-277VAC resistive
- Cooling: 3/4HP @ 125VAC / 1.5HP @ 250/277 VAC
- Range: 50-90°F (unless otherwise noted)
- Imported to TPI Specifications.

MFG CATALOG NUMBER	MFG MODEL NUMBER	DESCRIPTION	RANGE	CONNECTIONS	POS. OFF	LIST
05238302	AET9DWTS*	DPST Heat Only	50-90°F	Wire Leads	Yes	41
05238402	AET9SWTS*	SPST Heat Only	50-90°F	Wire Leads	No	37
05238502	ET9DTS	DPST Heat Only	50-90°F	Terminals	Yes	32
05238602	ET9D4TS	DPST Heat Only	35-75°F	Terminals	Yes	33
05238702	ET9DWTS	DPST Heat Only	50-90°F	Wire Leads	Yes	33
05238802	ET9MTS	2 Stage Heat Only	50-90°F	Terminals	No	35
05238902	ET9STS	SPST Heat Only	50-90°F	Terminals	No	28
05239002	ET9S4TS	SPST Heat Only	35-75°F	Terminals	No	30
05239102	ET9SRTS	SPST Cool Only	50-90°F	Terminals	No	28
05239202	ET9SWTS	SPST Heat Only	50-90°F	Wire Leads	No	32
05239302	ETD9MTS	2 Stage Heat, 1 Stg Cool	50-90°F	Terminals	No	35
05239402	ETD9STS	SPDT Heat or Cool	50-90°F	Terminals	No	30

* indicates anticipated models

EPET Series and HLT Series Hazardous Location



Features

- SPDT & DPDT Models
- Heat or cool compatible
- Celsius and Fahrenheit temperature scale
- Bi-Metal or capillary sensor
- Snap action switch
- Casting tapped top and bottom for 3/4" conduit
- 1/2" thick cast aluminum housing
- All EPET/T1/T2 optional thermostats manufactured with anti-static plastic
- Dimension 5.75" x 6.375" x 5.57"
- Made in U.S.A.

Motor Rating (full load): 3/4 HP @ 125V, 1-1/2 HP @250V
 Pilot Duty Rating 125VA @ 24VAC
 NEMA Class Seven Div. 1 Approved
 Class I Group C & D, Class II Group E, F, & G
 Not rated for Group B

MFG CATALOG NUMBER	MFG MODEL NUMBER	DESCRIPTION	LOAD RATINGS	RANGE	LIST
05380702	EPETD8D	DPDT - Bi-Metal	22A @120-277VAC	50-90°F	375
05381002	EPETD8S	SPDT - Bi-Metal	22A @120-277VAC	50-90°F	375
05280702	EPETP8D	DPDT - Bi-Metal	22A @120-480VAC	50-90°F	375
05280602	EPETP8S	SPDT - Bi-Metal	22A @120-480VAC	50-90°F	375
05231502	HLT-1	SPDT - Capillary	22A @120-277VAC	40-110°F	515
05231602	HLT-2	DPDT - Capillary	22A @120-277VAC	40-110°F	544

Master ctn: 4 pcs, 24 lbs (varies slightly by model), 16" x 14.5" x 6"

EPET Series incorporate plastic knob & Bi-Metal Sensor housing.

HLT Series incorporates screwdriver temperature adjustment slot and all metal housing. External bulb and capillary sensor.

2000 Series - Line Voltage



Features

- Shadow White or Ivory
- Single pole and double pole
- DP models include positive off
- 22 Amps, 277 Volts AC
- Heat Only / Range: 50-90°F
- Imported to TPI Corporation specifications
- Compliant with RoHS2 Directive (2011/65/EU), that of which includes the application exemptions outlined in Annex III of the directive.

MFG CATALOG NUMBER	MFG MODEL NUMBER	COLOR	DESCRIPTION	LIST
05028402	S2022H10AA	Shadow White	Single Pole with leads, 22 Amp	38
05024302	S2022H10AB	Ivory		
05028502	D2022H10BA	Shadow White	Double pole with leads, 22 Amp	49
05024402	D2022H10BB	Ivory		
05029102	S2025H10AA	Shadow White	Single Pole with leads, 25 Amp	55
05029202	D2025H10BA	Shadow White	Double pole with leads, 25 Amp	64

TW Series

Features

Load Rating



- Single and double pole models
- Wire leads
- Tamper resistant
- Imported to TPI Corporation specifications
- Compliant with RoHS2 Directive (2011/65/EU), that of which includes the application exemptions outlined in Annex III of the directive.

- 22 Amps resistive @ 120 VAC
- 18 Amps resistive @ 277 VAC

MFG CATALOG NUMBER	MFG MODEL NUMBER	DESCRIPTION	TEMPERATURE SCALE	LIST
05020002	TW145	SP, Beige with Leads	Tamper Resistant / 50-90°F	63
05020102	TW146	DP, Beige with Leads	Tamper Resistant / 50-90°F	75

Master Carton: 25 Pcs, 12 lbs. (varies slightly by model), 16" x 14" x 5.5"

Washdown Series

Features



- Single and double pole models
- Rain tight NEMA 4X rating
- Stainless steel hardware
- Coil capillary temperature sensor
- Made in U.S.A. with domestic and foreign components.

MFG CATALOG NUMBER	MFG MODEL NUMBER	DESCRIPTION	TEMPERATURE SCALE	LIST
05234202	TW155A	SP, Rain tight	40-110°F	191
05234302	TW255A	DP, Rain tight	40-110°F	223

22 Amps @ 120/250/277 VAC, 5" x 5" x 3" Case

Industrial Series

Features



- Coil capillary (CKT) models
- Bi-Metal models (KT)
- Rugged steel case
- SPST & SDPT models
- Imported to TPI Corporation specifications
- Compliant with RoHS2 Directive (2011/65/EU), that of which includes the application exemptions outlined in Annex III of the directive. (KT models only)
- Hard wired models rated for 22A resistive @125-250 VAC
- Corded models rated for 13A resistive @125VAC

MFG CATALOG NUMBER	MFG MODEL NUMBER	DESCRIPTION	RANGE	CONNECTIONS	SCALE	LIST
05340402	CKTD110	SPDT Heat or Cool	40 - 110°F	Wire Leads	F	118
05340802	KT110	SPST Heat Only	-10 - 100°F	Wire Leads	C & F	50
05341002	KT121	SPST Heat Only	-10 - 100°F	6' Cord/Plug	C & F	55
05341702	KTD110	SPDT Heat or Cool	-10 - 100°F	Wire Leads	C & F	50
05343602	KTO110	SPST Cool Only	-10 - 100°F	Wire Leads	C & F	50
05342102	KTO121	SPST Cool Only	-10 - 100°F	6' Cord/Plug	C & F	55

Master Carton: 13.75" x 14" x 9", Qty 9-12, 14lbs.-16lbs. depending on model

LB Series - Bi-Metal In-Built Thermostats



Features

- Bi-Metal sensor
- HP Ratings: 3/4HP @ 125 VAC - 1.5HP @ 250-277 VAC
- 22 Amps resistive max

MFG CATALOG NUMBER	MFG MODEL NUMBER	DESCRIPTION	VOLTAGE	RANGE	CONNECTIONS	LIST
05361302	LB110	SPST Heat Only	120-277 VAC	0 - 110°F	6" - 14 Gauge Leads	27
05362002	LB210	DPST Heat Only			6" - 14 Gauge Leads	37

Master Carton: 16" x 14.5" x 6", Qty 25-50, 11lbs.-14lbs. depending on model.

LR Series - Bi-Metal Outdoor Thermostats



Features

- Bi-Metal sensor
- HP Ratings: 3/4HP @ 125 VAC - 1.5HP @ 250-277 VAC
- 22 Amps resistive max

MFG CATALOG NUMBER	MFG MODEL NUMBER	DESCRIPTION	VOLTAGE	RANGE	CONNECTIONS	LIST
05363002	LRD100A	SPDT Heat/Cool	120-277 VAC	0 - 110°F	6" - 14 Gauge Leads	25

Master Carton: 16" x 14.5" x 6", Qty 50, 15lbs.-16lbs. depending on model.

RH Series - Air Flow / Differential Pressure Switch Controls



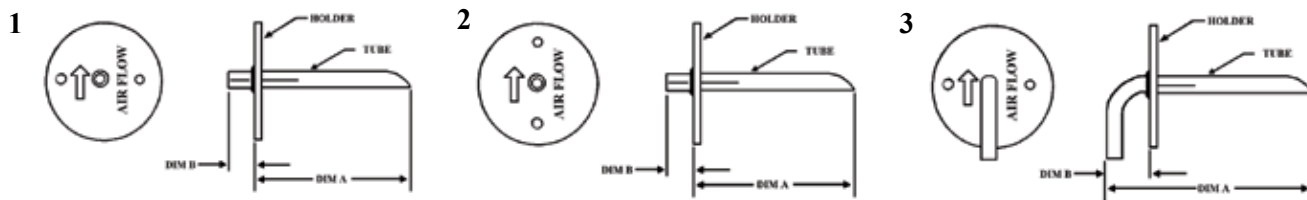
Features

- Senses pressure or vacuum
- Adjustable or fixed pressure
- Compliant with RoHS2 Directive (2011/65/EU), that of which includes the application exemptions outlined in Annex III of the directive.
- Automatic reset
- Tube, barbed, or compression fittings

MFG CATALOG NUMBER	MFG MODEL NUMBER	PRESSURE SET	VOLTAGE	RANGE	CONNECTIONS	LIST
05460702	RH1505D0	Fixed	120-277 VAC	0.05" WC	Tube (both sides)	42
05462102	RH3	Adjustable		0.05" - 12" WC	Barbed (both sides)	60
05462302	RH35	Adjustable		0.05" - 2.0" WC	Barbed (both sides)	60
05463102	RH3A	Adjustable		0.05" - 12" WC	Compression (both sides)	54

Master Carton (RH1505D0): 25.5" x 17.75" x 13.5", Qty 48, 36lbs
 Master Carton (RH3, RH35, RH3A): 15.25" x 15" x 14", Qty 24, 28-32lbs depending on model.

Pilot Tubes (for RH Series Air Flow / Differential Pressure Switch Controls)



MFG CATALOG NUMBER	MFG MODEL NUMBER	"A" DIMENSION	"B" DIMENSION	FIGURE #	LIST
94227000	61-01730-00	4.29"	0.69"	1	10
94227003	61-01730-003	6.69"	0.69"	1	
94228000	61-01729-00	4.00"	0.50"	2	
94228020	61-01729-20	2.00"	0.50"	2	
94228021	61-01729-21	1.50"	0.50"	2	
94228022	61-01729-22	6.00"	0.50"	2	
94228027	61-01729-27	3.50"	0.50"	3	

Electromechanical De-Humidistat



Features

- 4.4 amp @ 120VAC
- 2.2 amp @ 240VAC
- 50VA @ 24VAC - 240VAC
- 10% - 60% relative humidity range

Standard Models

MFG CATALOG NUMBER	MFG MODEL NUMBER	DESCRIPTION	LIST
05891402	H1D1AA	Dehumidistat/Electromechanical	75

Wireless RF Interface Series



RFT-1 shown with UT thermostat



RFT



RFR

Features

- Heat only, Cool only / 4 wire Heat/Cool
- Standard 2 stage Heat/ 1 Stage Cool Heat Pumps
- Multistage heating and/or cooling equipment
- Made in U.S.A. with domestic and foreign componets
- Works with most low voltage thermostats
- Max Operating Range: 50 Feet

Standard Models

MFG CATALOG NUMBER	MFG MODEL NUMBER	DESCRIPTION	VOLTAGE	CONNECTION	LIST
05235502	RFT-1	RF Thermostat Transmitter Dim: 4" x 5" x .875"	2-AAA Batteries	6 Wires	107
05235602	RFR-5	RF Relay Interface Dim: 4.5" x 6" x 1.25"	24 VAC	R-C-R1 1-2-3-4-5	107
05235702	RfKit-5	RFT-1 & RFR-5 Package	2-AAA 24 VAC	R-C-R1 1-2-3-4-5	213
05346702	RFR5002	Wireless relay for low voltage systems. Use with SDRF thermostat.	24 VAC	R-C-R1 1-2-3-4-5	129

Honeywell Line Voltage Thermostats



T4398A 1021
Precision Mechanical



Features

- Heat only thermostats
- Accurate temperature control
- 22 Amp resistive for mechanical models

Standard Models

MFG CATALOG NUMBER	MFG MODEL NUMBER	VOLTAGE	DIMENSIONS	DESCRIPTION	LIST
05033002	T4398A 1021	120-240	2.875"x4.375"x2.00D	Precision Electric Heating. SPST, 50-80 °F, 22 Amp @ 120-240V 19 Amp @ 277V	66

Features

- Heat only thermostats
- Accurate temperature control
- 16 Amp resistive for electronic models
- Energy Star compliant.

Standard Models



TL8230A 1003
Electronic Programmable

MFG CATALOG NUMBER	MFG MODEL NUMBER	VOLTAGE	DIMENSIONS	DESCRIPTION	LIST
05033602	TL8230A 1003	240/208	2.70"x4.90"x.90D	Electronic Programmable Line Voltage DPST, 15 Amp, 40-86 °F	191

Low Voltage Programmable Thermostats



TH115-A-024T

Features

- 7 Day, 4 Settings Per Day
- Control Accuracy +/- 1°F of Setpoint Temp
- Pre-Programmed or Custom Settings
- Backlit Display, Energy Star Compliant

Standard Models

MFG CATALOG NUMBER	MFG MODEL NUMBER	DESCRIPTION	LIST
05234002	TH115-A-024T	Heat Only Temp Range:40-86°F Dims:4.89"H x 2.79"W x .91"D	138



TH147-P

Features

- 7 Day, 4 Settings Per Day
- Control Accuracy +/- 1°F of Setpoint Temp
- Pre-Programmed or Custom Settings
- Backlit Display, Energy Star Compliant

Standard Models

MFG CATALOG NUMBER	MFG MODEL NUMBER	DESCRIPTION	LIST
05235802	TH147-P	7 Day, 4 Settings per Day, Heating/Cooling, 1 Stage Heat/Cool Temp Range Heat:41-82°F, Cool:59-95°F Dims: 5"W x 3"H x 1"D	154

2 Stage Low Voltage Thermostat



TW123

Features

- 24V single or 2 stage heat and cool
- Gas, oil, or electric with air conditioning.
- Heat only, Heat only with fan, Cool only.
- Battery only, common wire only, or common wire with battery backup.
- System settings - Heat, Off, Cool, Auto, Emergency Heat.
- Dimensions: 3 1/16" H x 5 13/16" W x 1 1/2" D

Standard Models

MFG CATALOG NUMBER	MFG MODEL NUMBER	VOLTAGE	TEMP RANGE	MAX AMP	LIST
06911102	TW123 / TH5220D	750MV - 2DV	40-90° Heat 50-99° Cool	1.0	213

TG Series Thermostat Guards



Features

- 8 tumbler locks
- Imported to TPI specifications

Standard Models

MFG CATALOG NUMBER	MFG MODEL NUMBER	DESCRIPTION	LIST
05891202	TG1	Plastic Stat Guard/ 6.25" x 4.25" x 3.25" Opening	36
05891002	TG1B	Metal Stat Guard/ 5.25" x 4.625" x 3" Opening	65
05891302	TG2	Plastic Stat Guard/ 5.25" x 5.25" x 3.25" Opening	41
05891102	TG3	Plastic Stat Guard/ 8.125" x 5.37" x 3.25" Opening	41
05891702	TG3B	Metal Stat Guard/ 6.75" x 4.50" x 3.50" Opening	81
05236102	TG4	Plastic Stat Guard / 3.75" x 3.937" x 1.75" Opening	41
05236202	TG5	Plastic Stat Guard / 5" x 3.31" x 1.75" Opening	41
05236302	TG6	Plastic Stat Guard / 5.75" x 4.625" x 1.75" Opening	41

Features

- The SD Series of Clever Comfort Thermostats are self learning setback thermostats designed specifically for commercial and industrial applications. Unlike most setback thermostats this thermostat doesn't require programming. With the use of a motion sensor, it learns your schedule, and changes automatically with schedule changes. Regardless of your schedule, it automatically returns to economy after you leave.
- The Clever Comfort Smart Recovery feature returns the system to the comfort temperature before you arrive. The holiday feature automatically returns to economy setting on any day that no-one shows up.
- Compatible with single and multistage equipment up to 4 stages of Heat, 4 Stages of Cool, or any combination of Heat and Cool up to 4 stages, including 2 Stage Heat, 1 Stage Cool Heat pumps.

**Fully Automatic Setback!
No Programming!**



SDHW1001

SDHW1001: Hardwired Thermostat: Catalog# 05236402:

The SDHW thermostats are wired directly to the HVAC system. The SDHW1001 model is compatible with 26 types of 24VAC systems. Simply choose your system on setup, apply the corresponding terminal strip label and wire as you would any other thermostat.

SDHW1002: E2 Extended Energy Saver Hardwired Thermostat: Catalog# 05347002:

The SDHW E2 thermostat extends the savings over the standard SDHW1001 by limited temperature ranges, and incorporating a minimum offset of 5 degrees. The SDHW1002 does not allow heat mode temperature settings above 74 degrees or cool mode settings below 72 degrees. This allows employers to give their employees control of the temperature setting while preventing abuse. NOTE: Customized temperature ranges, differentials, dead bands, etc...are available through our SD customization program.

SDRF1001: Wireless Thermostat: Catalog# 05236502:

The SDRF thermostat is wirelessly connected to HVAC system when combined with one of TPI's compatible RF relays. The SDRF1001 when combined with the RFR5002 low voltage relay incorporates all the features and system compatibility of the SDHW1001 thermostat, while allowing the thermostat to be located in the best location. NOTE: The SDRFK5002 incorporates the SDRF1001 thermostat and the RFR5002 relay in a single pre-linked kit.

SDRFK5002: Wireless Thermostat Kit: Catalog# 05346902:

The SDRFK5002 includes both the SDRF thermostat and the compatible RFR5002 Relay in a pre-linked kit. The RFR5002 relay is connected to the HVAC system. The SDRF thermostat can be located in a convenient location without having to run additional wires.

RFR5002: Wireless Relay Catalog# 05346702:

The RFR5002 is the low voltage wireless RF relay to be used with the SDRF thermostat.

SDRMT001 Remote Motion and Temperature Sensors: Catalog# 05346802:

The SDRMT001 incorporates both the motion and temperature sensors for the SD and RSD series of thermostats. The sensors can be remoted up to 25' using 5 conductor shielded wire. Either of the sensors may be used individually without connecting the other.

Standard Models



MFG CATALOG NUMBER	MFG MODEL NUMBER	DESCRIPTION	VOLTAGE	CONNECTIONS	LIST
05236402	SDHW1001	SD Wired Thermostat	2 AA Batteries or 24VAC	Varies by System	387
05347002	SDHW1002	Extend Energy Saver Model	2 AA Batteries or 24VAC	Varies by System	438
05236502	SDRF1001	SD Wireless Thermostat	2 AA Batteries	Wireless	313
05346902	SDRFK5002	SD Wireless Kit	2 AA & 24VAC	Varies by System	438
05346702	RFR5002	SD Wireless Relay	24VAC	Varies by System	129
05346802	SDRMT001	Wired Remote Sensors	Powered from Thermostat	Connects to Stat	125

At TPI we have the ability to customize the SD thermostats in ways that none of our competition can. These customizable capabilities allows us to redefine the thermostat's features for your application. Below are the features that can be customized. Not only can we customize the thermostat, we can offer it in small quantities with minimal setup charge. Contact Customer Service for customization form or more information.

CUSTOMIZATION OPTIONS

- **System Selection:** The standard SD thermostat incorporates the ability to select between 26 types of HVAC equipment upon setup. With the customization option, you select as many or as few of these systems you want available to the installer.
- **Default System Selection:** Choose which model will be the default model upon installation. The Standard SD thermostat has a default model of #111 which is Single Stage Heat/Cool for Gas heat.
- **Temperature Ranges:** The Heat and Cool temperature ranges are completely independent and can be customized to any ranges between 0-200°F. For example, our E2 Extended Energy model incorporates a Heat Range of 50-74°F and a Cool Range of 72-90°F. The heat can never be set above 74, and the cooling can never be set below 72. (Note: A setting above 120°F requires a remote temperature sensor in controlled area.)
- **Economy Offset Range:** The standard model is adjustable from 0-12°F degrees offset. Both the minimum and maximum settings are adjustable from 0-40°F. For example, our E2 Extended Energy Saving model has a minimum offset of 5°F and a maximum of 15°F.
- **Default Temperature Scale:** Default can be Celsius or Fahrenheit. Regardless of default temperature scale, it can be changed at any time by the user.
- **Set temperature resolution:** Select either 0.5 or 1.0 degrees. Standard model allows for setpoint adjustment in 0.5o increments.
- **Differential:** On and Off setpoints for each stage in relationship to setpoint. All setting are selectable in 0.1 degree resolution.
- **Default Temperature Settings:** Standard model settings are 70 degrees for Heat and 74 degrees for Cool.
- **Deadband Range:** Selectable between 1 and 10 degrees. Select both the minimum and maximum amount that the user will be able to select. Standard model is adjustable between 1-5°F.
- **Default Deadband Setting:** When first installed this is the deadband setting. The standard model has a default of 2 degrees. Note: Default must be within the deadband range selected above. If the range is 4-8, you can't have a default of 2.
- **Comfort Duration Times:** The comfort duration time is how long the thermostat will remain in comfort after motion has been detected. The factory times are: 10, 30, 60, 90, and 120 minutes. Up to 8 settings are available from 10 to 240 minutes (4 hrs).
- **Comfort Duration Default Time:** One of the settings selected above has to be the default. Standard model default is 60 minutes.
- **Maximum Manual Economy Time:** This is the amount of time the thermostat will ignore all motion once the thermostat is manually placed into the economy mode. This gives everyone time to leave the building (area) once manually placed into economy. Standard model has a time of 30 minutes.
- **Protection Delays:** All of the protection delays are adjustable to the second. We currently have a 5 minute compressor protection delay, a 2 minute heat protection delay, and a 2 minute minimum run time. All three are adjustable independently.
- **Columbus Electric Displayed:** We can turn off Columbus Electric on the LCD display.

Features

- The RSD Clever Comfort system for residential applications learns your schedule, and keeps it up to date. No programming involved. On your way out the door, you simply press the Set button on the Keypad to put the system into economy. The RSD system learns when you normally return home, and automatically returns to the comfort setting by the time you return.
- The minimum system includes an RSD thermostat, an RSD Keypad, and the RSD Administrator. The RSDHW-Kit includes the RSDHW thermostat, the RSD Keypad, and the RSD Administrator. The RSDRF Kit, includes the RSDRF Thermostat with pre-linked RFR5 Relay, the RSD Keypad and RSD Administrator. Additional Keypads, Thermostats, and options devices may be added to either system. A total of 10 RSD devices may be linked to a single Administrator.



RSDHW1001

RSDHW Starter Kit - Catalog# 05347102:

Everything needed for a single zone system is included in this starter package. The RSDHW thermostat is connected to your 24VAC HVAC system. The RSDK Keypad is battery operated and is mounted near the door. The RSDA Administrator is plugged into a standard 120VAC outlet. Additional Keypads, RSD Thermostats, and optional devices may be added to the system. Kit includes pre-linked RSDHW thermostat, RSDK keypad, and RSDA administrator.

RSDRF Starter Kit - Catalog# 05347202:

Everything needed for a single zone system is included in this starter package. The wireless RSDRF thermostat is connected to your 24VAC HVAC system using the RFR5 Relay. The RSDK Keypad is battery operated and is mounted near the door. The RSDA Administrator is plugged into a standard 120VAC outlet. Additional Keypads, RSD Thermostats, and optional devices may be added to the system. Kit includes pre-linked RSDRF thermostat, RFR5 relay, RSDK keypad, and RSDA administrator.

RSDHW1001 - Hardwired Thermostat: Catalog# 05237602:

The RSDHW thermostats are wired directly to the HVAC system. The RSDHW1001 model is compatible with 26 types of 24VAC systems. Simply choose your system on setup, apply the corresponding terminal strip label and wire as you would any other thermostat.

RSDRFK5002 - Wireless Thermostat Kit: Catalog# 05347302:

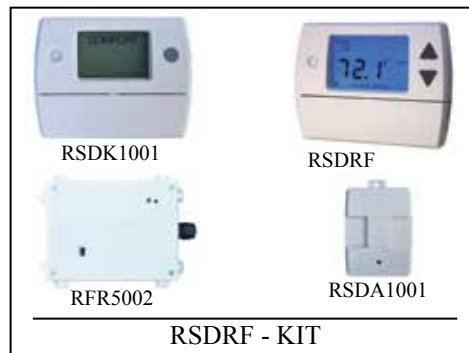
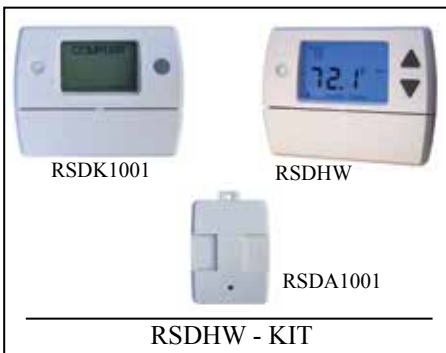
The RFR5002 relay is connected to the HVAC system. The RSDRF thermostat can be located in a convenient without having to run additional wires. The RSDRFK5002 includes the RSDRF thermostat and compatible RFR5002 relay in a pre-linked kit.

RSDA1001 - RSD Administrator: Catalog# 05237802:

The RSDA1001 Administrator is included in both starter kits. Only one Administrator may be used for each RSD system. This item should be bought for replacement only.

RSDK1001 - RSD Keypad Catalog# 05237902:

The RSDK1001 Keypad is where you set your economy periods. Normally mounted next to the main door used to enter and exit the house. Additional Keypad may be added to your RSD system.



MFG CATALOG NUMBER	MFG MODEL NUMBER	DESCRIPTION	VOLTAGE	CONNECTIONS	LIST
05347102	RSDHW-Kit	Hardwire thermostat starter kit	Varies by component	System connections	1000
05347202	RSDRF-Kit	Wireless thermostat starter kit	Varies by component	System connections	1145
05237602	RSDHW1001	RSD wired thermostat	(2) AA Batteries or 24VAC	Varies by system	405
05347302	RSDRFK5002	RSD wireless thermostat kit	(2) AA Batteries & 24VAC	Varies by system	438
05237802	RSDA1001	RSD administrator	120VAC	Wireless	300
05237902	RSDK1001	RSD keypad	(2) AA Batteries	Wireless	313

Optional Control Features

- The RSD Clever Comfort system for residential applications has been designed for expansion. The starter kits on the previous page include the minimal components. Up to 8 additional devices may be added to the starter system. These include additional RSD Thermostats, and RSD Keypads (shown on previous page). Optional devices include the RSDMS1001 Wireless Motion Sensor and the RSDWH1001 Water Heater Control.
- Also available are replacement components. These include the RSDA1001 Administrator, The RSDRF1001 Thermostat, the RFR5002 Wireless relay (for use with either the RSDRF thermostat or the SDRF thermostat), and the SDRMT001 wired remote temperature and motion control (wired to either the SD or RSD thermostats).

RSDMS1001 - RSD Wireless Remote Motion Sensor: Catalog# 05347402:

The RSDMS1001 wireless remote motion sensor is used wherever people may enter the house other than the main entrance where the Keypad is located. This may include a back door, garage door, etc... Whenever motion is detected at the location, it wirelessly transmits to the system that there is someone home, and if not already in the comfort mode it will switch to comfort.

RSDWH1001 - RSD Water Heater Control: Catalog# 05347502:

The RSDWH1001 control is wired to your gas or electric water heater to turn it off whenever the system is in the economy mode, and automatically turns on 1/2 hour before the system is scheduled to return to comfort. If used with a gas water heater, an additional 24VAC transformer may be required to power the RSDWH1001. If used with an electric water heater, it must be installed with a separate transformer, and contactor. Note: The RSDWH-240Kit includes a transformer and contractor for use on 208 & 240VAC systems with loads up to 50AMPS.

RSDWH-240Kit - RSD Water Heater Control for 240VAC Water Heaters: Catalog# 05347602:

The RSDWH-240Kit includes a 208/240VAC transformer and 50 Amp DPST contactor to turn off an electric water heater whenever the system is in the economy mode, and automatically turns on ½ hour before the system is scheduled to return to comfort.

RSDRF1001 - Wireless Thermostat: Catalog# 05237702:

The SDRF thermostats are wirelessly connected to the HVAC system with use of a TPI compatible RF relay such as the RFR5002 relay below.

RFR5002 - Wireless Relay: Catalog# 05346702:

The RFR5002 is the low voltage wireless RF relay to be used with the RSDRF thermostat.

SDRMT001 - Remote Motion and Temperature Sensors: Catalog# 05346802:

The SDRMT001 incorporates both the motion and temperature sensors for the SD and RSD series of thermostats. The sensors can be remoted up to 25' using 5 conductor shielded wire. Either of the sensors may be used individually without connecting the other.

SDA1001 - SD Administrator: Catalog# 05347702:

The SDA1001 Administrator allows for the residential products to be used for commercial applications. Just like the SD thermostats, if no movement is detected in an hour, it will setback the entire system. Incorporates smart recovery.



MFG CATALOG NUMBER	MFG MODEL NUMBER	DESCRIPTION	VOLTAGE	CONNECTIONS	LIST
05347402	RSDMS1001	Wireless motion sensor	(2) AA Batteries	Wireless	220
05347502	RSDWH1001	Water heater control	24VAC	4-wire	225
05347602	RSDWH-240Kit	Electric water heater control	240VAC	4-wire	565
05237702	RSDRF1001	RSD wirelesss thermostat	(2) AA Batteries	Wireless	313
05346702	RFR5002	SD wireless relay	24VAC	Varies by system	129
05346802	SDRMT001	Wired remote sensors	Powered from thermostat	Connects to thermostat	125
05347702	SDA1001	Commercial administrator	120VAC	Wireless to system	300

Thermostats & Controls

UT Series - Low Voltage



Features

- Vertical or horizontal mounting
- Long life sealed contacts
- Does not contain Mercury
- Leveling not required
- Fahrenheit and Celsius temperature scales
- Compliant with RoHS2 Directive (2011/65/EU), that of which includes the application exemptions outlined in Annex III of the directive.
- 2-3°F rated differential
- Anticipator (except UT9001)
- Imported to TPI Corporation specifications

Standard Models

MFG CATALOG NUMBER	MFG MODEL NUMBER	DESCRIPTION	VOLTAGE	TERMINALS	SWITCHES	LIST
05230502	UT1001	Heat Only	24VAC or MV	R & W	None	21
05230602	UT3001	Cool Only	24 VAC	R, Y & G	Cool/Off Fan/Auto	21
05230702	UT8001	Heat/Cool	24 VAC	RC, RH, W, Y, & G	Heat/Off/Cool Fan/Auto	22
05231102	UT9001	Heat Only	Millivolt	R & W	None	21
Master Carton: 50 pcs, 17 lbs, 19" x 11.5" x 9"						

RK Series - Low Voltage



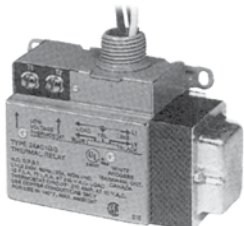
Features

- Heat only models
- Positive off
- 2-3°F rated differential
- Compliant with RoHS2 Directive (2011/65/EU), that of which includes the application exemptions outlined in Annex III of the directive.
- Does not contain Mercury
- Leveling not required
- Long life sealed contacts
- Fahrenheit and Celsius
- Imported to TPI Corporation specifications

Standard Models

MFG CATALOG NUMBER	MFG MODEL NUMBER	DESCRIPTION	VOLTAGE	RANGE	ANTICIPATOR	LIST
05260102	RK120EAA	Heat Only	24VAC or MV	50°-90°F	Yes	20
05262002	RK124EAA	Heat Only	24VAC or MV	35°-75°F	Yes	20
05260502	RK130EAA	Heat Only	Millivolt	50°-90°F	No	17
05263202	RK134EAA	Heat Only	Millivolt	35°-75°F	No	17
05261402	RKWP1AA	Wall Plate	NA	NA	NA	6
Master Carton: 100 Pcs, 24 lbs, 16.5" x 15" x 8"						

Low Voltage Relays



Features

- Snap action switch
- 1/2" male conduit spud
- 45 second average time delay
- Temperature range - 50 - 90°F
- Built-In transformer

Standard Models

MFG CATALOG NUMBER	MFG MODEL NUMBER	PRIMARY VOLTAGE	DESCRIPTION	LIST
02600302	24A05A-1	120V	Single Switch, single throw with In-Built Transformer for remote mounting or in a factory provided optional enclosure	213
02600402	24A05E-1	208V		
02600502	24A01G-3	240V		
02601002	24A06G-1	240V	Two switch, single throw with In-Built Transformer, 25 Amps per switch	316

Two switch unit shown. Note: 277/24V relay available, consult factory.

Accessories

MFG CATALOG NUMBER	MFG MODEL NUMBER	DESCRIPTION	HP	CFM / RPM	MAX AMPS	VOLTS	WT. (LBS)	LIST
03976302	TAT-24-FAN-120V-1	Thermal Area Treatment Floor Fan	1/3	5000/1160	3.1	120	30	346

MFG CATALOG NUMBER	MFG STYLE MODEL NUMBER	DESCRIPTION	KW	BTUs	VOLTS	PHASE	AMPS	TEMP RISE	WT. (LBS)	LIST
03981902	TAT-30/1T	30KW Salamander	30	102390	480	3	36	43	115	2693
03982002	TAT-45/1T	45KW Salamander	45	153585	480	3	54.2	70	125	4452

Product Dimensions

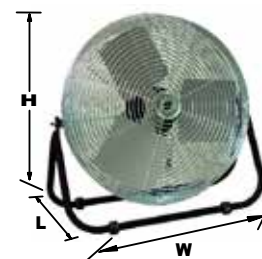
TAT 30-45

- Safety yellow heater enclosure with safety screens on both air intake and output openings.
- Optional 25' long SO type cord, ready for plug attachment is available for each model.
- Long-life finned tubular heating elements.
- Thermostat adjustment 115° to 150° F.
- Two 10" rear wheels and a front locking caster.
- High-limit thermal cutout switch with manual reset.
- 2200 CFM
- Fan only operation feature
- Made in U.S.A.



TAT-24-FAN-120V-1

- Single speed
- Head tilts 360°
- Coated steel guards
- SJT type 3 conductor
- Steel hub / Aluminum blades
- Meets OSHA standards
- Made in U.S.A. with domestic and foreign components



MFG MODEL NUMBER	DIMENSIONS			WT. (LBS)
	LENGTH	WIDTH	HEIGHT	
TAT 30, 45	37"	24"	39"	115/125
TAT24-FAN-120V-1	10.5"	26"	26"	30

HR Series Hot Room Heaters

MFG CATALOG NUMBER	MFG MODEL NUMBER	VOLTAGE - PHASE	KW HEATING	CABINET DIMENSIONS H X W X L (IN)	MOTOR HP	TOTAL AMPS	CFM	TEMP RISE	LIST
03967302	HR-F1-7	208 / 1	7	18 x 22 x 36	1/3	36	1800	13.4	9750
03967402	HR-F3-8.5	208 / 3	8.5	18 x 22 x 36	1/3	25	1800	16.3	9750
03967502	HR-F3-12.2	208 / 3	12.2	18 x 22 x 36	1/3	35	1800	23.4	9750
03967602	HR-H1-8.1	240 / 1	8.1	18 x 22 x 36	1/3	36	1800	15.5	9750
03967702	HR-H3-8.5	240 / 3	8.5	18 x 22 x 36	1/3	23	1800	16.3	9750
03967802	HR-H3-14.1	240 / 3	14.1	18 x 26 x 36	3/4	36	2200	22.1	10250
03967902	HR-P3-10.0	480 / 3	10.0	18 x 22 x 36	1/3	14	1800	19.2	9750
03968002	HR-P3-15.0	480 / 3	15.0	18 x 26 x 36	3/4	20	2200	23.5	10250
03968102	HR-P3-20.0	480 / 3	20.0	18 x 26 x 36	3/4	26	2200	31.4	10250
03968202	HP-P3-24.0	480 / 3	24.0	18 x 26 x 36	3/4	31	2200	43.9	10250
03968302	HP-P3-20.0-2	480 / 3	20.0	18 x 26 x 36	3/4	26	2200	31.4	10837
44597001	Remote Stat	24V	1-stage	w/8" cap.	Range up to 150°F				362
44597002	Remote Stat	24V	2-stage	w/8" cap.	Range up to 150°F				512

Specifications and Additional Information

- High-temperature rated, ball bearing motor; forward curved centrifugal blower; standard with airflow switch, temperature limit controls (manual and automatic resets), and lockable disconnect switch with fuse block
- Galvannealed 20 Gauge heavy-duty metal housing
- Totally enclosed, finned tubular stainless steel heating elements, provide the benefits of closer temperature regulation, less chance of shock hazards, less susceptibility for shorting, easy service, and will better withstand physical abuse
- Capability of mounting for in-room use, or mounting at an external wall/ceiling, with the heat inlet/outlet ducted to/from the room. 1" duct flanges at inlet and discharge ends are standard, to provide for ducting on the unit
- All models listed are designed for permanent mounting and hard wiring
- A typical hot room should be totally enclosed, with provisions made to keep air from escaping, other than the air being ducted thru the heater itself when the unit is mounted outside the room. As always, insulation should be considered for walls and ceiling, to maximize energy efficiency and heater performance



Hotpod® Supplemental Duct Mounted Heating System



HotPod - Features

- Use to heat cold rooms or additions without upgrading central system
- Fan only operation for increased cfm output for A/C cycles
- 6" 1000/500 Watt and 8" 1440/720 Watt models available
- Two stage operation
- 120V corded and hard wire models available
- 10' Cord length on corded models
- Zero clearance for all models
- All models include UT8003 low voltage thermostat
- Optional wireless thermostat
- Silent boot option available for rigid duct applications only.
- Made in U.S.A. with domestic and foreign components.
- Patented: Patent No. 8,285,127, 8,625,976, 8,787,738

Standard HotPod® Models

MFG CATALOG NUMBER	MFG MODEL NUMBER	DESCRIPTION	WATTS	VOLTS	MIN. CIRC. SIZE (AMP)	TEMP. RISE (F)	WT. (LBS)	RPM	CFM	NEMA PLUG	DIMENSION L x W x H (In.)	LIST
02900702	HP6-1000120-2T	6" INLET, HARDWIRE	1000/500	120	8.33	26	4	1500	130	NA	10 ½ x 8 ½ x 6	545
02900402	HP6-1000120-2CT	6" INLET, WITH CORD SET	1000/500	120	8.33	26	4	1500	130	5-15P	10 ½ x 8 ½ x 6	572
02900802	HP8-1440120-2T	8" INLET, HARDWIRE	1440/720	120	12.6	23	6	1500	210	NA	11 x 10 ½ x 8	664
02900602	HP8-1440120-2CT	8" INLET, WITH CORD SET	1440/720	120	12.6	23	6	1500	210	5-15P	11 x 10 ½ x 8	704

SilentBooster® Supplemental Duct Mounted Boosting System



SilentBooster® - Features

- 120V corded and hardwire models available
- Adds 120 CFM Boost to duct heating or ventilation applications
- Can utilize optional TPI SilentBoot™ for whisper quiet operation in rigid duct application.
- 14" of duct, 4' from register is all that is needed for installation
- Optional wireless thermostat can be utilized to control SilentBooster to increase room comfort

Moisture Control System - Features

- 120V, 8" Ducted Booster Fan; De-humidistat included
- Includes all ductwork and outside damper / 6" to 8" adapters available
- Uses Heavy Duty booster fan to eliminate humidity from basements, crawl spaces, or damp areas.
- Made in U.S.A. with foreign and domestic componets.

Standard SilentBooster® Models

MFG CATALOG NUMBER	MFG MODEL NUMBER	DESCRIPTION	VOLTS	MIN. CIRC. SIZE (AMP)	WT. (LBS)	RPM	CFM	NEMA PLUG	DIMENSION L x W x H (In.)	LIST
02903702	SB6-120-T	6" SilentBooster (Hardwire)	120	15	4	1500	130	NA	10 ½ x 8 ½ x 6	239
02903802	SB6-120-CT	6" SilentBooster (w/Cord Set)	120	15	4	1500	130	5-15P	10 ½ x 8 ½ x 6	266
02903902	SB8-120-T	8" SilentBooster (Hardwire)	120	15	4	1500	210	NA	11 x 10 ½ x 8	266
02904002	SB8-120-CT	8" SilentBooster (w/Cord Set)	120	15	4	1500	210	5-15P	11 x 10 ½ x 8	293
MOISTURE CONTROL SYSTEM										
02904102	MCS120-8CT	8" Moisture Control System	120	15	4	1500	210	5-15P	11 x 10 ½ x 8	372

Hotpod Accessories And Thermostat



Silent Boot

MFG CATALOG NUMBER	MFG MODEL NUMBER	DESCRIPTION	WT. (LBS)	LIST
02900902	SB-6*	6" SILENT BOOT	4	41
02901002	SB-8*	8" SILENT BOOT	4	67
05235702	RFKIT-5	WIRELESS TRANSMITTER	6	213

* Can be used with Hotpod models as a noise attenuator



RFT-1
(Shown With UT8003
Thermostat)

RFR-5

RFKIT-5 - Patent Pending

Hotpod Ready-Pack Self Contained Systems



Ready-Pack self contained system
Note: does not mount to existing duct work.

Features

- Includes all you need to install a complete Hotpod system
- Ideal for room or office additions
- RF Thermostat is standard with our Ready-Pack models, simplifying installation even further - Eliminates the need for thermostat wiring.
- Same specifications for 6" and 8" Hotpod models apply to Ready-Pack models.

What's Included

- 6" or 8" Hotpod with RFKIT-5 wireless thermostat and transmitter
- One outlet and one return air grill
- Two 90 degree elbows
- Flexible duct (12.5')
- 8" models include 2 reducers - 8" to 6"

MFG CATALOG NUMBER	MFG MODEL NUMBER	DESCRIPTION	LIST
02902702	HP6-1000120-2TRP	6" INLET, 1000W, 120V, READY-PACK	1208
02902802	HP6-1000120-2CTRP	6" INLET, 1000W, 120V, READY-PACK WITH CORDSET	1274
02902902	HP8-1440120-2TRP	8" INLET, 1440W, 120V, READY-PACK	1433
02903002	HP8-1440120-2CTRP	8" INLET, 1440W, 120V, READY-PACK WITH CORDSET	1475

MFH Series Hotpod - For those LARGER areas



Features

- 240V model has 6' cord set with a NEMA-6-15P Plug
- Unit contains air flow switch
- Zero inch (0") clearance installation
- All units are shipped with our UT8003 low voltage thermostat
- All units obtain a 33 degree temperature rise
- RP models are Ready-Pack models and do not need existing duct work
- Made in U.S.A.

Standard Models

MFG CATALOG NUMBER	MFG MODEL NUMBER	DESCRIPTION	WATTS	VOLTS	WT. (LBS)	CFM	RPM	LIST
02901302	MFHE-0300-6-EAA	6" INLETS, 1500 W, 120V, 2 STAGE THERMOSTAT	1500	120	132	250	1500	1449
02901902	MFHE-0300-6-EAARP	UNIT ABOVE WITH FLEX, BOOTS, GRILLS	1500	120	145	250	1500	1937
02901402	MFHE-0300-6-EAAC	6" INLETS, 1500 W, 120V, 2 STAGE THERMOSTAT, CORD	1500	120	132	250	1500	1492
02902002	MFHE-0300-6-EAACRP	UNIT ABOVE WITH FLEX, BOOTS, GRILLS	1500	120	145	250	1500	1978
02901702	MFHE-0300-6-HAA	6" INLETS, 2000W, 240V, 2 STAGE THERMOSTAT	2000	240	132	250	1500	1533
02902302	MFHE-0300-6-HAARP	UNIT ABOVE WITH FLEX, BOOTS, GRILLS	2000	240	145	250	1500	2020
02901502	MFHE-0300-8-EAA	8" INLETS, 1500W, 120V, 2 STAGE THERMOSTAT	1500	120	135	250	1500	1476
02902102	MFHE-0300-8-EAARP	UNIT ABOVE WITH FLEX, BOOTS, GRILLS, REDUCERS	1500	120	148	250	1500	2075
02901602	MFHE-0300-8-EAAC	8" INLETS, 1500W, 120V, 2 STAGE THERMOSTAT, CORD	1500	120	135	250	1500	1518
02902202	MFHE-0300-8-EAACRP	UNIT ABOVE WITH FLEX, BOOTS, GRILLS, REDUCERS	1500	120	148	250	1500	2117
02901802	MFHE-0300-8-HAA	8" INLETS, 3000W, 240V, 2 STAGE THERMOSTAT	3000	240	135	250	1500	1574
02902402	MFHE-0300-8-HAARP	UNIT ABOVE WITH FLEX, BOOTS, GRILLS, REDUCERS	3000	240	148	250	1500	2174

Fresh Air Make Up Units - Features

- Can be used with existing systems for fresh air intake
- Includes replaceable filter
- All units include duct stat and disconnect switch
- Available with 6" inlet and outlet only

Standard Models

MFG CATALOG NUMBER	MFG MODEL NUMBER	DESCRIPTION	CFM	RPM	LIST
02902502	MFHE-0300-6-HAAF2D	6" INLETS, 3000W, 240V, FILTER, DUCT STAT	250	1500	1951
02902602	MFHE-0300-6-HAAF2D	6" INLETS, 2000W, 208V, FILTER, DUCT STAT	250	1500	1894

5700 Series Confined Space Plenum Rated Heater



Features

- Easily fits between joists for typical installation.
- Zero clearance for wall and ceiling mounting as well as floor mounting with appropriate inlet and outlet clearances.
- Bracket standard or can be mounted by 3/8" threaded rod (field supplied)
- Automatic reset thermal limit for safety
- 1 Phase model wattage field changeable from 1874 to 5000 Watts.
- 24V control circuit on three phase models with hydraulic thermostat
- Made in U.S.A

Conforms to ANSI/UL 1995
 Certified to CAN/CSA C 22.2 No.236-11

**5700 Series Confined Space Plenum Rated Heater can also be found on page 22, including Product Dimensions.

Standard Models

MFG CATALOG NUMBER	MFG MODEL NUMBER	WATTS	BTUs	VOLTS	PHASE	AMPS	TEMP RISE	TEMP RANGE	AIR THROW	CFM	WT. (LBS)	LIST
07262402	HF5705T	5000	17065	240	1	21	57 °F	(40 °F-120 °F)	16'	275	32	820
		4165	14215			17	48 °F					
		3332	11365			14	38 °F					
		2500	8533			10	29 °F					
		3750	12798	208	1	18	43 °F	(40 °F-120 °F)	16'	275	32	
		3123	10659			15	36 °F					
2500	8553	12	29 °F									
1874	6396	9	21 °F									
07262502	H3H5705T	3750	12799	208	3	10.4	57 °F	(40 °F-110 °F)	16'	375	32	883
		5000	17065	240	3	12	57 °F		16'	275	32	
07262602	P3P5705T	5000	17065	480	3	6	57 °F	(40 °F-110 °F)	16'	275	32	75
07073602	DCS-MT303	Optional Field Installed Disconnect Switch, 30 Amp @ 600Volts										

7200 Series Plenum Heater



HOW TO DESIGNATE A MODEL:

F	3	E	72	15	2	T
Element Voltage F = 208V H = 240V G = 277V P = 480V	Phase 1 = Single Phase 3 = Three Phase	Motor Voltage E = 120 G = 277 P = 480	Series Number	Element KW 3KW through 50KW See model chart for KW options.	Heater Stages Blank = One 2 = Two	Control System T = Unit Thermostat SSR = SSR Control

*SSR proportional control maximum: 45 Amps

Product Specifications

- 20 gauge galvanized cabinet.
- Variable speed motor, factory set at maximum. Motor speed can be field adjusted to increase heat rise.
- Acoustically insulated with 1" fiberglass.
- Access panels on both sides of cabinet.
- 24 Volt controls. / Disconnect switch
- Air flow switch.
- Terminal blocks.
- Single point connection.
- Dust tight control enclosure.
- Filter rack on inlet with throw away filter.
- Inlet and outlet screens and duct connection.
- Automatic primary limit control and secondary fuse link.
- Optional wall thermostat, unit thermostat or SSR control which proportionally regulates heat output.
- Made in U.S.A.

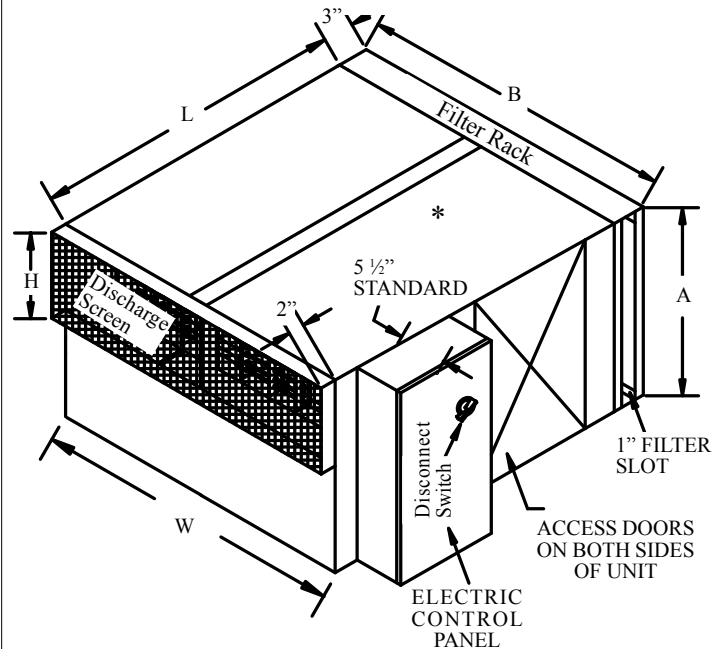
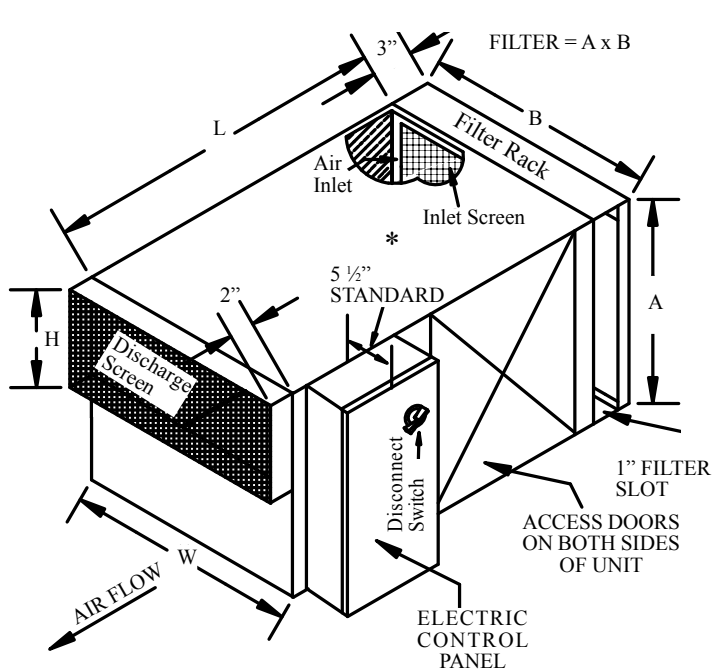
7200 Series Plenum Heater

7200 Series Plenum Heater Standard Models

MFG CATALOG NUMBER	MFG MODEL NUMBER	KW	CFM RANGE	VOLTS / PHASE	TOTAL AMPS for MOTOR & HEATER	STAGE	MOTOR VOLTAGE	FULL LOAD AMPS for MOTOR ONLY	MOTOR H.P.	WT. (LBS)	LIST
06176802	F1G7203	3	70-270	208/1	15.4	1	277	1	1/15	98	1802
06065602	H1G7203			240/1	13.5		277	1			
06062401	G1G7203*			277/1	11.83		277	1			
06069002	F3G7203			208/3	9.32		277	1			
06177602	H3G7203	5	200-650	240/3	8.21	1	277	1	1/6	118	1859
06176602	F1G7205			208/1	25.13		277	1.1			
06179502	H1G7205			240/1	21.93		277	1.1			
06061602	G1G7205*			277/1	19.15		277	1.1			
06064202	F3G7205	1	200-650	208/3	14.97	1	277	1.1	1/6	118	1892
06179902	H3G7205			240/3	13.12		277	1.1			
06065002	P3P7205			480/3	7.11		480	1.1			
06065502	F3E7210*			208/3	33.05		120	5.3			
06177302	H3G7210	10	500-1200	240/3	25.75	1	277	1.7	1/4	141	1934
06175802	P3G7210*			480/3	13.72		277	1.7			
06065102	F3E7210-2*			208/3	33.05		120	5.3			
05343902	H3G7210-2			240/3	25.75		277	1.7			
06063402	P3P7210-2	2	500-1200	480/3	13.72	2	480	1.7	1/4	141	2316
06086002	F3E7215*			208/3	46.93		120	5.3			
06088402	H3G7215			240/3	37.78		277	1.7			
06060702	P3P7215			480/3	19.74		480	1.7			
06069402	F3E7215-2*	15	500-1200	208/3	46.93	2	120	5.3	1/4	141	2076
05344002	H3G7215-2			240/3	37.78		277	1.7			
05345502	P3P7215-2			480/3	19.74		480	1.7			
06088302	F3E7220-2*			208/3	63.81		120	8.3			
05344102	H3G7220-2	20	750-1600	240/3	50.61	2	277	2.5	1/2	163	2408
06064902	P3P7220-2			480/3	26.55		480	2.5			
05344202	F3E7223-2*	23	1300-2000	208/3	74.84	2	120	11	3/4	201	2581
06178802	H3G7223-2			240/3	59.63		277	4.3			
05345602	P3P7225-2			480/3	34.37		480	4.3			
05344302	H3G7230-2	25	1800-2800	240/3	78.47	2	277	6.3	2 MOTORS @ 1/2 H.P. EACH	278	3211
06068802	P3P7230-2			480/3	42.38		480	6.3			
05345702	P3P7235-2	35	1800-2800	480/3	48.39	2	480	6.3	2 MOTORS @ 1/2 H.P. EACH	278	3314
05345802	P3P7240-2	40		480/3	56.71		480	8.6			
05345902	P3P7245-2	45	2000-3600	480/3	62.72	2	480	8.6	2 MOTORS @ 3/4 H.P. EACH	319	4472
06180802	P3P7250-2	50		480/3	68.74		480	8.6			

*Requires neutral wire

Product Dimensions



7200 SERIES	DIMENSIONS			DISCHARGE	
	A	B	L	W	H
3 KW	12"	14"	28"	14"	8"
5 KW	14"	18"	36"	18"	8"
10 & 15 KW	18"	18"	36"	18"	10"
20 KW	18"	22"	36"	22"	10"
23 & 25 KW	18"	26"	36"	26"	10"

7200 SERIES	DIMENSIONS			DISCHARGE	
	A	B	L	W	H
25-30-35 KW	18"	44"	36"	44"	10"
40-45-50 KW	18"	52"	36"	52"	10"

Note: Control panel access standard as shown. For panel on opposite side access specify and order (Figure 5). * Control box depth depends on actual components. Consult factory for exact dimensions.

7300 Series Plenum Heater



HOW TO DESIGNATE A MODEL:

F	3	E	73	15	2	T
Element Voltage F = 208V H = 240V G = 277V P = 480V	Phase 1 = Single Phase 3 = Three Phase	Motor Voltage E = 120 G = 277 P = 480	Series Number	Element KW 3KW through 18KW See model chart for KW options.	Heater Stages Blank = One 2 = Two	Control System T = Unit Thermostat SSR = SSR Control Blank = None

*SSR proportional control maximum: 45 Amps

The 7300 Series LowBoy Plenum Heater is designed to fit jobs where the clear space between the ceiling and the floor above is as small as 11 3/4 inches.

Product Specifications

- 20 gauge galvanized cabinet.
- Variable speed motor, factory set at maximum. Motor speed can be field adjusted to increase heat rise.
- Acoustically insulated with 1" fiberglass.
- Access panels on bottom of unit.
- 24 Volt controls. / Disconnect switch
- Air flow switch.
- Terminal blocks.
- Single point connection.
- Dust tight control enclosure.
- Filter rack on inlet with throw away filter.
- Inlet and outlet screens and duct connection.
- Automatic primary limit control.
- Optional wall thermostat, unit thermostat or SSR control which proportionally regulates heat output.
- Made in U.S.A.

Standard Models

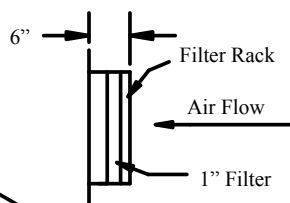
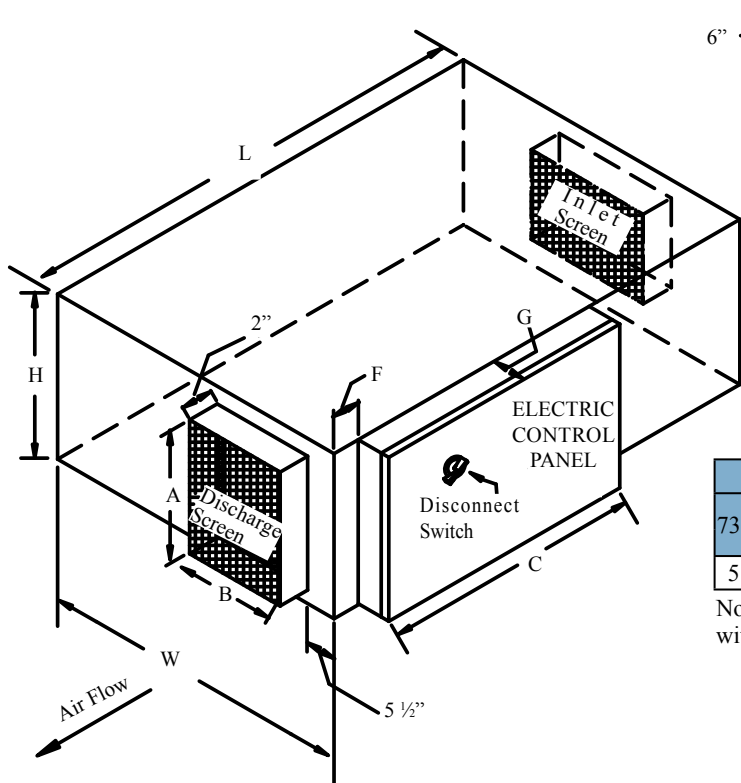
MFG CATALOG NUMBER	MFG MODEL NUMBER	KW	CFM RANGE	VOLTS/ PHASE	TOTAL AMPS for MOTOR & HEATER	STAGE	MOTOR VOLTAGE	FULL LOAD AMPS for MOTOR ONLY	MOTOR H.P.	WT. (LBS)	LIST				
06180702	F1G7305	5	170-950	208/1	26	1	277	2	1/4	163	2007				
06175402	H1G7305			240/1	22		277								
06063002	G1G7305*			277/1	20		277								
06176402	F3G7305			208/3	15		277	2			2076				
05344502	H3G7305			240/3	14		277								
05346002	P3P7305			480/3	8		480								
06099602	F3E7310*	10	170-950	208/3	32	1	120	4			1/4	163	2420		
06177302	H3G7310			240/3	26		277	2							
06180602	P3P7310			480/3	14		480	2							
06063602	F3E7310-2*			208/3	32		120	4					2363		
05344602	H3G7310-2			240/3	26		277	2							
05346102	P3P7310-2			480/3	14		480	2							
05344802	H3G7312	12	170-950	240/3	32	1	277	3	2 Motors @ 1/4 HP Each	219			2959		
05346202	P3P7312			480/3	17		480	3							
06085902	F3E7312-2*			208/3	41		120	8							
05345002	H3G7312-2			240/3	32		277	3					3004		
05346302	P3P7312-2			480/3	17		480	3							
05345202	H3G7315			240/3	39		277	3							
06177702	P3P7315	15	270-1500	480/3	21	1	480	3			2 Motors @ 1/4 HP Each	219	3177		
06181002	F3E7315-2*			208/3	49		120	8							
06085102	H3G7315-2			240/3	39		277	3						3406	
05346402	P3P7315-2			480/3	21		480	3							
05346502	P3P7318			480/3	25		480	3					3130		
05346602	P3P7318-2			480/3	25		480	3							
		18	270-1500	480/3	25	2	480	3	2 Motors @ 1/4 HP Each	219			3474		
				480/3	25		480	3						3589	
				480/3	25	2	480	3					2 Motors @ 1/4 HP Each		219
				480/3	25		2	480						3	

*Requires neutral wire

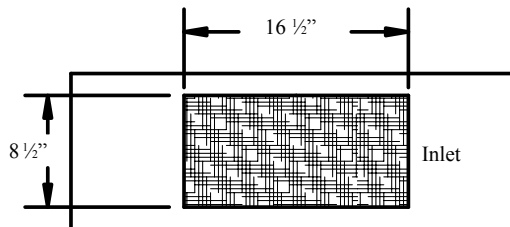
Note: Products listed in this section are custom built and subject to 100% cancellation/restock charges.

7300 Series Plenum Heater

Product Dimensions



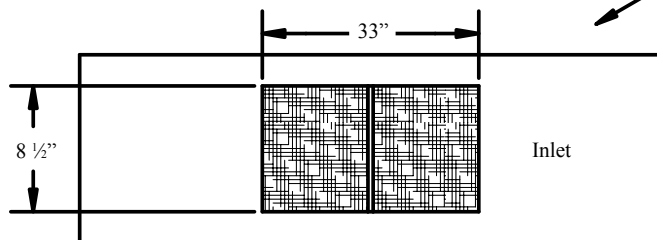
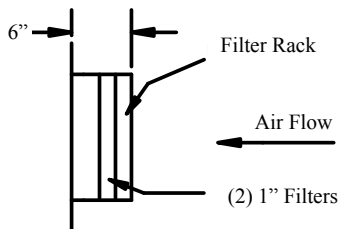
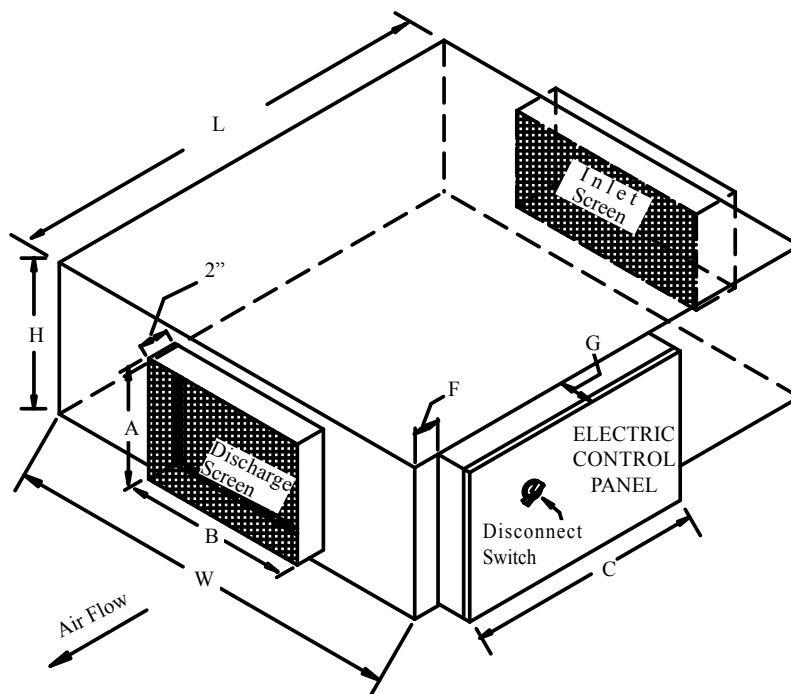
Note: Control panel access standard as shown. For panel on opposite side access specify and order (Figure 5).



DIMENSIONS								
7300 SERIES	C	F	G	H	L	W	DISCHARGE	
							A	B
5 & 10 KW	28, 75"	1"	6"	11.75"	45"	26"	8"	10"

Note: Dimension C and G will vary with accessories.

Note: Control panel access standard as shown. For panel on opposite side access specify and order (Figure 5).



DIMENSIONS								
7300 SERIES	C	F	G	H	L	W	DISCHARGE	
							A	B
12, 15, & 18 KW	28, 75"	2"	6"	11.75"	45"	43"	8"	20"

Note: Dimension C and G will vary with accessories.

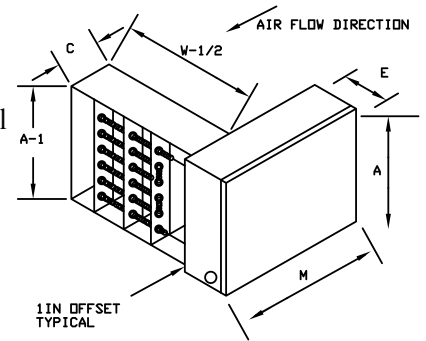
PD Series Packaged Duct Heater

Standard Features



Intertek

- Galvanized Steel Element Rack - Always 1” shorter than duct height and ½” shorter than duct width to allow insertion clearance
- Galvanized Steel Compartment with ½” fiberglass Insulation & Hinged Cover
- Door Interlock Disconnect Switch
- Primary Automatic Reset Temp Limiting Control
- Load Carrying Secondary over Temperature Protective Device(s)
- Definite Purpose Magnetic Contactor(s)
- Differential Pressure Fan Inter-lock Switch
- Step Down Control Transformer / 24 Volt
- Permanently Attached Wiring Diagram on inside of Terminal Compartment Cover
- Made in U.S.A.



Standard Models

MFG CATALOG NUMBER	MFG MODEL NUMBER	KW	POWER VOLTS/ PHASE	DUCT WIDTH W	DUCT HEIGHT A	DIMENSIONS			AMPS	CONTROL STEPS	WT. (LBS)	LIST	
						C	E	M					
06170002	PD5-128-1	5	240-1	12	8	4.75	6.5	26	20.9	1	22	828	
06170102	PD10-1810-1	10		18	10	4.75	6.5	28	41.7	2	37	1111	
06170202	PD15-1812-1	15		18	12	4.75	6.5	27	62.5	2	33	1299	
06170302	PD20-2012-1	20		20	12	9.125	7.5	31	83.3	2	37	1630	
06170402	PD25-2016-1	25		20	16	9.125	7.5	38	104.2	3	56	2598	
06170502	7PD2-128-1	2	277-1	12	8	4.75	6.5	26	7.2	1	21	828	
06170602	7PD3.5-128-1	3.5							12.6			852	
06170702	7PD5-128-1	5							18.1			1092	
06170802	8PD5-128-3	5	208-3	12	8	4.75	6.5	26	13.9	1	22	954	
06170902	8PD10-1810-3	10		18	10	4.75	6.5	22	27.8	1	27	975	
06171002	8PD15-1812-3	15		18	12	9.125	6.5	25	41.7	1	32	1136	
06171102	8PD15-1812-2-3	15		18	12	9.125	6.5	28	41.7	2	34	1193	
06171202	8PD20-2012-3	20		20	12	9.125	6.5	40	55.6	2	39	1441	
06171302	8PD25-2016-3	25		20	16	9.125	6.5	29	69.5	2	58	1454	
06171402	8PD30-2416-2-3	30		24	16	9.125	7.5	29	83.4	2	65	2068	
06171502	8PD30-2416-3	30		24	16	9.125	7.5	35	83.4	3	60	2102	
06174302	8PD35-2416-3	35		24	16	9.125	7.5	35	97.3	3	65	2244	
06173202	8PD40-2416-3	40		24	16	9.125	7.5	43	111.2	3	75	2834	
06173302	8PD45-3016-3	45		30	16	9.125	7.5	43	125.1	3	80	2893	
06173402	8PD50-3016-3	50		30	16	9.125	7.5	43	139	3	85	2951	
06171602	PD5-128-3	5		240-3	12	8	4.75	6.5	26	12.1	1	21	803
06171702	PD10-1812-3	10			18	10	4.75	6.5	22	24.1	1	26	887
06171802	PD15-1812-1-3	15			18	12	4.75	6.5	20	36.2	1	30	993
06171902	PD15-1812-2-3	15	18		12	9.125	6.5	26	36.2	2	33	1016	
06172002	PD20-2012-3	19.9	20		12	9.125	6.5	28	47.9	2	39	1299	
06172102	PD25-2016-3	25	20		16	9.125	6.5	39	60.2	2	57	1454	
06172202	PD30-2416-2-3	30	24		16	4.75	6.5	25	72.3	2	57	1607	
06172302	PD30-2416-3-3	30	24		16	9.125	6.5	35	72.3	3	65	1678	
06173502	PD35-2416-3	35	24		16	9.125	7.5	35	84.3	3	65	1866	
06173602	PD40-2416-3	40	24		16	9.125	7.5	35	96.3	3	75	2149	
06173702	PD45-3016-3	45	30		16	9.125	7.5	43	108.4	3	80	2787	
06173802	PD50-3016-3	49.8	30		16	9.125	7.5	43	120	3	85	2905	
06172402	4PD5-128-3	5	480-3		12	8	4.75	6.5	26	6.1	1	21	922
06172502	4PD10-1810-3	10			18	10	4.75	6.5	22	12.1	1	26	975
06172602	4PD15-1812-3	15			18	12	4.75	6.5	20	18.1	1	30	1028
06172702	4PD15-1812-2-3	15		18	12	9.125	6.5	26	18.1	2	34	1182	
06172802	4PD20-2012-3	20		20	12	9.125	6.5	26	24.1	2	39	1207	
06172902	4PD25-2016-3	25		20	16	9.125	6.5	22	30.1	2	58	1242	
06173002	4PD30-2416-2-3	30		24	16	4.75	6.5	18	36.2	2	65	1276	
06173102	4PD30-2416-3-3	30		24	16	9.125	6.5	24	36.2	3	65	1347	
06173902	4PD35-2416-3	35		24	16	9.125	6.5	26	42.2	3	65	1725	
06174002	4PD40-2416-3	39.9		24	16	9.125	6.5	40	48.1	3	75	1949	
06174202	4PD50-3016-3	50		30	16	9.125	6.5	36	60.2	3	85	2361	

<i>Model</i>	<i>Page</i>	<i>Model</i>	<i>Page</i>	<i>Model</i>	<i>Page</i>	<i>Model</i>	<i>Page</i>
170-TS	83	223-30-THSS-208V	69	342-60-TH-240V	68	3900-OCS	51
178 TMC	81	223-30-THSS-240V	69	342-60-TH-480V	68	3900-OCSC	51
188 TASA	81	223-30-THSS-277V	69	342-60-THSS-208V	68	3900AC	51
18D-2-30CF (Enclosed)	74	223-30-THSS-480V	69	342-60-THSS-240V	68	3900ACC	51
18D-2-30CF (Open)	74	223-60-TH-208V	69	342-60-THSS-480V	68	3900DS	51
18D-2-80CF (Enclosed)	74	223-60-TH-240V	69	342-90-TH-208V	68	3900DSC	51
198 TMC	81	223-60-TH-277V	69	342-90-TH-240V	68	3900REC	51
222-30-TH-208V	68	223-60-TH-480V	69	342-90-TH-480V	68	3900RECC	51
222-30-TH-240V	68	223-60-THSS-208V	69	342-90-THSS-208V	68	3900T1	51
222-30-TH-277V	68	223-60-THSS-240V	69	342-90-THSS-240V	68	3900T1C	51
222-30-TH-480V	68	223-60-THSS-277V	69	342-90-THSS-480V	68	3900T2	51
222-30-THSS-208V	68	223-60-THSS-480V	69	342-A30-TH-208V	68	3900T2C	51
222-30-THSS-240V	68	223-90-TH-208V	69	342-A30-TH-240V	68	3900WW120	51
222-30-THSS-277V	68	223-90-TH-240V	69	342-A30-TH-480V	68	3900WW28	51
222-30-THSS-480V	68	223-90-TH-277V	69	342-A30-THSS-208V	68	3900WW36	51
222-60-TH-208V	68	223-90-TH-480V	69	342-A30-THSS-240V	68	3900WW48	51
222-60-TH-240V	68	223-90-THSS-208V	69	342-A30-THSS-480V	68	3900WW60	51
222-60-TH-277V	68	223-90-THSS-240V	69	342-A60-TH-208V	68	3900WW72	51
222-60-TH-480V	68	223-90-THSS-277V	69	342-A60-TH-240V	68	3900WW96	51
222-60-THSS-208V	68	223-90-THSS-480V	69	342-A60-TH-480V	68	39BS120	51
222-60-THSS-240V	68	24A01G-3	94	342-A60-THSS-208V	68	39BS120C	51
222-60-THSS-277V	68	24A05A-1	94	342-A60-THSS-240V	68	39BS28	51
222-60-THSS-480V	68	24A05E-1	94	342-A60-THSS-480V	68	39BS28C	51
222-90-TH-208V	68	24A06G-1	94	3420EX16	43	39BS36	51
222-90-TH-240V	68	303EX16RW	34, 46	3420EX34	43	39BS36C	51
222-90-TH-277V	68	303EX32RW	34, 46	3420EX8	43	39BS48	51
222-90-TH-480V	68	303EX8RW	34, 46	343-30-TH-208V	69	39BS48C	51
222-90-THSS-208V	68	305EX16	39	343-30-TH-240V	69	39BS60	51
222-90-THSS-240V	68	305EX32	39	343-30-TH-480V	69	39BS60C	51
222-90-THSS-277V	68	305EX8	39	343-30-THSS-208V	69	39BS72	51
222-90-THSS-480V	68	30R	34	343-30-THSS-240V	69	39BS72C	51
222-A30-TH-208V	68	30R2	34	343-30-THSS-480V	69	39BS96	51
222-A30-TH-240V	68	30R7	34	343-60-TH-208V	69	39BS96C	51
222-A30-TH-277V	68	30R8	34	343-60-TH-240V	69	4300EX16	47
222-A30-TH-480V	68	31939009	69	343-60-TH-480V	69	4300EX16W	47, 48
222-A30-THSS-208V	68	31940009	69	343-60-THSS-208V	69	4300EX32	47
222-A30-THSS-240V	68	31941009	69	343-60-THSS-240V	69	4300EX32W	47, 48
222-A30-THSS-277V	68	32T1	46	343-60-THSS-480V	69	4300EX8	47
222-A30-THSS-480V	68	32T2	46	343-90-TH-208V	69	4300EX8W	47, 48
222-A60-TH-208V	68	3310EX33R	45	343-90-TH-240V	69	4300P	47
222-A60-TH-240V	68	3310EX33WR	45	343-90-TH-480V	69	4300PB	40
222-A60-TH-277V	68	3320EX16	40	343-90-THSS-208V	69	4300PW	47, 48
222-A60-TH-480V	68	3320EX33	40	343-90-THSS-240V	69	43T	47, 48
222-A60-THSS-208V	68	3380EX33	34	343-90-THSS-480V	69	43T2	47
222-A60-THSS-240V	68	342-30-TH-208V	68	3450EX16	43	4400EX16	40
222-A60-THSS-277V	68	342-30-TH-240V	68	3450EX34	43	4400EX32	40
222-A60-THSS-480V	68	342-30-TH-480V	68	3450EX8	43	4400EX8	40
223-30-TH-208V	69	342-30-THSS-208V	68	3900-CS	51	462-30-TH-480V	68
223-30-TH-240V	69	342-30-THSS-240V	68	3900-CSC	51	462-30-THSS-480V	68
223-30-TH-277V	69	342-30-THSS-480V	68	3900-ICS	51	462-60-TH-480V	68
223-30-TH-480V	69	342-60-TH-208V	68	3900-ICSC	51	462-60-THSS-480V	68

Product Index Listing

Model	Page	Model	Page	Model	Page	Model	Page
462-90-TH-480V	68	6333D052433B30D0F	25	671-3784	70, 73	8PD50-3016-3	102
462-90-THSS-480V	68	6333D053834B30D0F1	25	671-3785	70, 73	91108	56
462-A30-TH-480V	68	6333D054134B30D0F1	25	671-3786	70, 73	91120	56
462-A30-THSS-480V	68	6333D054833B30D0F	25	671-5018	70, 73	9100EC	56
462-A60-TH-480V	68	6333D103834B30D0F1	25	671-5056	73	9100IC	56
462-A60-THSS-480V	68	6333D104134B30D0F1	25	671-5057	73	9100OC	56
463-30-TH-480V	69	6346D102433B30D0F	25	671-5058	70, 73	9100SP	56
463-30-THSS-480V	69	6346D104833B30D0F	25	671-5059	70, 73	9128	56
463-60-TH-480V	69	64337-007	78	671-5060	70, 73	9136	56
463-60-THSS-480V	69	64337-009	78	671-5061	70, 73	9148	56
463-90-TH-480V	69	64337-011	78	7PD2-128-1	102	9160	56
463-90-THSS-480V	69	64337-016	78	7PD3.5-128-1	102	9172	56
483 TM	81	64337-022	73	7PD5-128-1	102	9184	56
48T2	48	64337-023	73	8510	29	9196	56
4PD10-1810-3	102	64337-024	73	8512	29	91BS012	56
4PD15-1812-2-3	102	64337-025	73	8513	29	91BS024	56
4PD15-1812-3	102	64337-026	73	8514	29	91BS036	56
4PD20-2012-3	102	64337-027	73	8515	29	91BS048	56
4PD25-2016-3	102	64337-028	73	8516	29	91BS060	56
4PD30-2416-2-3	102	64337-029	73	8517	29	91BS072	56
4PD30-2416-3-3	102	64337-030	73	8518	29	91BS084	56
4PD35-2416-3	102	64337-031	73	8519	29	91BS096	56
4PD40-2416-3	102	64337-032	73	8520	29	91BS108	56
4PD5-128-3	102	64337-033	73	8522	29	91BS120	56
4PD50-3016-3	102	64337-034	73	8523	29	9300EC	58
61-01729-00	87	64337-035	73	8524	29	9300IC	58
61-01729-20	87	64337-036	73	8525	29	9300OC	58
61-01729-21	87	64337-037	73	8526	29	9300SP	58
61-01729-22	87	64337-038	73	8527	29	93108	56
61-01729-27	87	64337-039	73	8528	29	93120	56
61-01730-00	87	64337-040	73	8529	29	9328	56
61-01730-003	87	64337-041	73	8530	29	9336	56
630-05129	73	64337-043	78	8532	29	9348	56
630-16209	73	64337-044	78	8533	29	9360	56
630-16249	73	64337-045	78	8534	29	9372	56
630-16279	73	64337-046	78	8535	29	9384	56
630-16489	73	64337-047	78	8536	29	9396	56
630-25209	73	64337-048	78	8537	29	93BS012	58
630-25249	73	64337-049	73	8538	29	93BS024	58
630-25279	73	64337-050	73	8539	29	93BS036	58
630-25489	73	64337-051	73	8PD10-1810-3	102	93BS048	58
630-36489	73	64337-052	73	8PD15-1812-2-3	102	93BS060	58
630-38579	73	64337-053	73	8PD15-1812-3	102	93BS072	58
631-16249	73	64337-054	73	8PD20-2012-3	102	93BS084	58
631-25489	73	64337-055	78	8PD25-2016-3	102	93BS096	58
631-25609	73	64337-056	78	8PD30-2416-2-3	102	93BS108	58
631-38579	73	64337-057	78	8PD30-2416-3	102	93BS120	58
632-1620	69, 73	64337-058	78	8PD35-2416-3	102	A1560	82
632-1624	69, 73	64337-063	78	8PD40-2416-3	102	A1600	22
632-2548	69, 73	671-3454	73	8PD45-3016-3	102	A1601	22
6333D052033B30D0F	25	671-3492	73	8PD5-128-3	102	A5105	15

<i>Model</i>	<i>Page</i>	<i>Model</i>	<i>Page</i>	<i>Model</i>	<i>Page</i>	<i>Model</i>	<i>Page</i>
A51100	18	B5175	18	CHWG-222	69	CV4512X	38
A5120	15	BBS024A	55	CHWG-223	69	CV4522Xi	38
A5150	15	BBS024AW	55	CHWG-342	69	CV4527X	38
A5175	18	BBS024C	55	CHWG-343	69	CV45X	38
A5520/UHB	10	BBS028A	55	CHWG-462	69	CV45Xi	38
AD5120	15	BBS028AW	55	CHWG-463	69	CV45YX	38
AD5150	15	BBS028C	55	CIT-1	74	CV6012X	38
AD5175	15	BBS036A	55	CKTD110	86	CV6022Xi	38
AET5DWS	85	BBS036AW	55	CP122	37	CV6027X	38
AET5SWS	85	BBS036C	55	CP122i	37	CV60X	38
AET9DWTS	85	BBS040A	55	CP123	37	CV60Xi	38
AET9SWTS	85	BBS040AW	55	CP123i	37	CV60YX	38
AF3401-24	36	BBS040C	55	CP125	37	CV7512X	38
AF3402-24	36	BBS048A	55	CP125i	37	CV7522Xi	38
AF3403-24	36	BBS048AW	55	CP127	37	CV7527X	38
AG3401-24	36	BBS048C	55	CP127i	37	CV75X	38
AG3402-24	36	BBS060A	55	CP2202i	37	CV75Xi	38
AG3403-24	36	BBS060AW	55	CP2203i	37	CV75YX	38
AH3401-24	36	BBS060C	55	CP2205i	37	CV9012X	38
AH3402-24	36	BBS072A	55	CP2207i	37	CV9022Xi	38
AH3403-24	36	BBS072AW	55	CP702	37	CV9027X	38
APS-3C	74	BBS072C	55	CP703	37	CV90X	38
ASHDB ECL	63	BBS084A	55	CP705	37	CV90Xi	38
ASHDB ECR	63	BBS084AW	55	CP707	37	CV90YX	38
ASHDB IC	63	BBS084C	55	CP802	37	CVB42X	38
ASHDB OC	63	BBS096A	55	CP803	37	CVB60X	38
ASHDB SP	63	BBS096AW	55	CP805	37	CVB84X	38
ASHDB WT	63	BBS096C	55	CP807	37	CVCBX	38
ASHDB-10	63	BBS120A	55	CS	55	CVSP	38
ASHDB-2	63	BBS120AW	55	CS 12	60	D1600	22
ASHDB-3	63	BBS120C	55	CS 6	60	D1602	22
ASHDB-4	63	BDR115	55	CSB	55	D1603	22
ASHDB-5	63	BDR115B	55	CSW	55	D1610	22
ASHDB-6	63	BDR115W	55	CV10012X	38	D1612	22
ASHDB-7	63	BOX 3310	34, 40, 45	CV10022Xi	38	D1613	22
ASHDB-8	63	BOX 3420	41	CV10027X	38	D2022H10BA	86
ASHDB-8/20-1000BS	63	BOX 3450	41	CV100X	38	D2022H10BB	86
ASHDB-8/20-100BS	63	C1-TD	9	CV100Xi	38	D2025H10DA	86
ASHDB-8/20-200BS	63	C1-TDP	9	CV100YX	38	DBF-10/DBT-10	61
ASHDB-8/20-300BS	63	C1025	19	CV11012X	38	DBF-2/DBT-2	61
ASHDB-8/20-400BS	63	CF35-C	84	CV11022Xi	38	DBF-3/DBT-3	61
ASHDB-8/20-500BS	63	CF36	84	CV11027X	38	DBF-4/DBT-4	61
ASHDB-8/20-600BS	63	CF47-C	84	CV110X	38	DBF-5/DBT-5	61
ASHDB-8/20-700BS	63	CF48	84	CV110Xi	38	DBF-6/DBT-6	61
ASHDB-8/20-800BS	63	CF59-C	84	CV110YX	38	DBF-7/DBT-7	61
ASHDB-8/20-900BS	63	CF60	84	CV12512X	38	DBF-8/DBT-8	61
ASHDB-9	63	CFHD36	84	CV12522Xi	38	DBF-9/DBT-9	61
ATR	60	CFHD48	84	CV12527X	38	DBF/DBT ECL	61
B5105	15	CFHD60	84	CV125X	38	DBF/DBT ECR	61
B51100	18	CH-2212-1C	79	CV125Xi	38	DBF/DBT IC	61
B5150	15	CH-6424-1C	79	CV125YX	38	DBF/DBT IECL	61

Product Index Listing

Model	Page	Model	Page	Model	Page	Model	Page
DBF/DBT IECR	61	E2906-036S	53	E3322TD-RP	40	E8803100	31
DBF/DBT IF	61	E2906-036SW	53	E3323TD-RP	40	E8804125	31
DBF/DBT MF	61	E2907-040C	54	E3383D-RP	34	E8805150	31
DBF/DBT OC	61	E2907-040HAW	52	E3703-024	50	E8806200	31
DBF/DBT SP	61	E2907-040S	53	E3703-024B	50	EPETD8D	6, 9, 85
DBF/DBT WT	61	E2907-040SW	53	E3705-028	50	EPETD8S	6, 9, 85
DBF/DBT-1000BS	61	E2910-048C	54	E3705-028B	50	EPETP8D	6, 9, 85
DBF/DBT-100BS	61	E2910-048HAW	52	E3706-036	50	EPETP8S	6, 9, 85
DBF/DBT-200BS	61	E2910-048S	53	E3706-036B	50	ET5D4S	85
DBF/DBT-300BS	61	E2910-048SW	53	E3707-040	50	ET5DS	85
DBF/DBT-400BS	61	E2912-060C	54	E3707-040B	50	ET5DTS	85
DBF/DBT-500BS	61	E2912-060HAW	52	E3710-048	50	ET5DWS	85
DBF/DBT-600BS	61	E2912-060S	53	E3710-048B	50	ET5MS	85
DBF/DBT-700BS	61	E2912-060SW	53	E3712-060	50	ET5S4S	85
DBF/DBT-800BS	61	E2915-072C	54	E3712-060B	50	ET5SRS	85
DBF/DBT-900BS	61	E2915-072HAW	52	E3715-072	50	ET5SRTS	85
DC-33	25	E2915-072S	53	E3715-072B	50	ET5SS	17, 85
DC-46	25	E2915-072SW	53	E3904-28	49	ET5STS	85
DC-66	25	E3035DWBW	34	E3904-28C	49	ET5SWS	85
DC-79	25	E3038DWBW	34	E3906-36	49	ET9D4TS	85
DC-SK-1	78	E3055T2DWB	39	E3906-36C	49	ET9DTS	85
DCS-MT303	22, 23, 98	E3055TDWB	39	E3910-48	49	ET9DWTS	85
DCS1003	12	E3058T2DWB	39	E3910-48C	49	ET9MTS	85
DCS1003/5100	17	E3058TDWB	39	E3912-60	49	ET9S4TS	85
DCS202/5100	17	E3210RPW	46	E3912-60C	49	ET9SRTS	85
DCS303	12	E3210TRPW	46	E3915-60P	81	ET9STS	85
DCS403	12	E3215RPW	46	E3915-72	49	ET9SWTS	85
DCS403/5100	17	E3215TRPW	46	E3915-72C	49	ETD5MS	85
DCS603/5100	17	E3275RPW	46	E4310RP	47	ETD5MTS	85
DCS803	12	E3275TRPW	46	E4310RPW	47	ETD5SS	85
DR115	55	E3312RP	44	E4310TRP	47	ETD5STS	85
DR115B	55	E3312RPW	44	E4310TRPW	47	ETD9MTS	85
DR115W	55	E3312T2RP	44	E4315RP	47	ETD9STS	85
DS	55	E3312T2RPW	44	E4315RPW	47	F1F2605CA1	21
DS5105	15	E3312T2SRP	45	E4315TRP	47	F1F2607CA1	21
DS51100	18	E3312T2SRPW	45	E4315TRPW	47	F1F2610CA1	21
DS5120	15	E3312TRP	44	E4375RP	47	F1F5103N	16, 17
DS5150	15	E3312TRPW	44	E4375RPW	47	F1F5105N	16, 17
DS5175	18	E3312TSRP	45	E4375TRP	47	F1F5503T	11
DSB	55	E3312TSRPW	45	E4375TRPW	47	F1F5505T	11
DSW	55	E3313RP	44	E4410TRP	40	F1F5507T	11
E2903-024C	54	E3313RPW	44	E4415TRP	40	F1F5510T	11
E2903-024HAW	52	E3313T2RP	44	E4475TRP	40	F1F5515T	11
E2903-024S	53	E3313T2RPW	44	E4810RPW	48	F1FUH03003	13
E2903-024SW	53	E3313T2SRP	45	E4810TRPW	48	F1FUH05003	13
E2905-028C	54	E3313T2SRPW	45	E4815RPW	48	F1FUH07CA1	13
E2905-028HAW	52	E3313TRP	44	E4815TRPW	48	F1FUH10CA1	13
E2905-028S	53	E3313TRPW	44	E4875RPW	48	F1FUH12C03	13
E2905-028SW	53	E3313TSRP	45	E4875TRPW	48	F1FUH15CO3	13
E2906-036C	54	E3313TSRPW	45	E8801050	31	F1FUH20CA1	13
E2906-036HAW	52	E3321TD-RP	40	E8802075	31	F1FUH25CA1	13

Model	Page	Model	Page	Model	Page	Model	Page
F1G7203	98	F3052TDWB	39	F3706-036	50	F3F5160CA1	19
F1G7205	98	F3220RPW	46	F3706-036B	50	F3F5170CA1	19
F1G7305	100	F3220T2RPW	46	F3707-040	50	F3F5503T	11
F2903-024C	54	F3316RP	44	F3707-040B	50	F3F5505T	11
F2903-024HAW	52	F3316RPW	44	F3710-048	50	F3F5507T	11
F2903-024S	53	F3316T2RP	44	F3710-048B	50	F3F5510T	11
F2903-024SW	53	F3316T2RPW	44	F3712-060	50	F3F5515T	11
F2905-028C	54	F3316T2SRP	45	F3712-060B	50	F3F5520T	11
F2905-028HAW	52	F3316T2SRPW	45	F3715-072	50	F3F5525T	11
F2905-028S	53	F3316TRP	44	F3715-072B	50	F3F5530T	11
F2905-028SW	53	F3316TRPW	44	F3717-084	50	F3FUH03C03	13
F2906-036C	54	F3316TSRP	45	F3717-084B	50	F3FUH07C03	13
F2906-036HAW	52	F3316TSRPW	45	F3720-096	50	F3FUH12C03	13
F2906-036S	53	F3317RP	44	F3720-096B	50	F3FUH15C03	13
F2906-036SW	53	F3317RPW	44	F3725-120	50	F3FUH20CA1	13
F2907-040C	54	F3317T2RP	44	F3725-120B	50	F3FUH25CA1	13
F2907-040HAW	52	F3317T2RPW	44	F3904-28	49	F3FUH30CA1	13
F2907-040S	53	F3317T2SRP	45	F3904-28C	49	F3G7203	98
F2907-040SW	53	F3317T2SRPW	45	F3906-36	49	F3G7205	98
F2910-048C	54	F3317TRP	44	F3906-36C	49	F3G7305	100
F2910-048HAW	52	F3317TRPW	44	F3910-48	49	F4320RP	47
F2910-048S	53	F3317TSRP	45	F3910-48C	49	F4320RPW	47
F2910-048SW	53	F3317TSRPW	45	F3912-60	49	F4320T2RP	47
F2912-060C	54	F3326TD-RP	40	F3912-60C	49	F4320T2RPW	47
F2912-060HAW	52	F3327TD-RP	40	F3915-72	49	F4320TRP	47
F2912-060S	53	F3386D-RP	34	F3915-72C	49	F4320TRPW	47
F2912-060SW	53	F3387D-RP	34	F3920-96	49	F4420T2RP	40
F2915-072C	54	F3422T	41	F3920-96C	49	F4420TRP	40
F2915-072HAW	52	F3423T	41	F3E7210	98	F4820RPW	48
F2915-072S	53	F3424T	41	F3E7210-2	98	F4820T2RPW	48
F2915-072SW	53	F3425T	41	F3E7215	98	F4820TRPW	48
F2917-084C	54	F3452SD	43	F3E7215-2	98	F8801050	31
F2917-084S	53	F3452T	41	F3E7220-2	98	F8802075	31
F2917-084SW	53	F3453SD	43	F3E7223-2	98	F8803100	31
F2920-096C	54	F3453T	41	F3E7310	100	F8804125	31
F2920-096HAW	52	F3454SD	43	F3E7310-2	100	F8805150	31
F2920-096S	53	F3454T	41	F3E7312-2	100	F8806200	31
F2920-096SW	53	F3455SD	43	F3E7315-2	100	FAM33	25
F2925-120C	54	F3455T	41	F3F2605CA1	21	FAM46	25
F2925-120HAW	52	F3472A1	36	F3F2607CA1	21	FAM66	25
F2925-120S	53	F3473A1	36	F3F2610CA1	21	FAM79	25
F2925-120SW	53	F3474A1	36	F3F2615CA1	21	FEC-30-120	74
F2F5103N	16, 17	F3475A1	36	F3F2625CA1	21	FEC-30-240	74
F2F5105N	16, 17	F3482A1	35	F3F2630CA1	21	FEC-60-120	74
F2F5107CA1L	16, 17	F3483A1	35	F3F2640CA1	21	FEC-60-240	74
F2F5110CA1L	16, 17	F3484A1	35	F3F2650CA1	21	FEP-0812-1RA	8
F2FUH05C03	13	F3485A1	35	F3F5115CA1L	16, 17	FEP-0820-1RA	8
F2FUH10C03	13	F3703-024	50	F3F5125CA1L	16, 17	FEP-0820-3RA	9
F30522T2DWB	39	F3703-024B	50	F3F5130CA1L	16, 17	FEP-0824-1RA	8
F30522TDWB	39	F3705-028	50	F3F5140CA1L	16, 17	FEP-0824-3RA	9
F3052T2DWB	39	F3705-028B	50	F3F5150CA1L	16, 17	FEP-0827-1RA	8

Product Index Listing

Model	Page	Model	Page	Model	Page	Model	Page
FEP-0848-1RA	8	FEP-7624-1RA	8	FPC8210	75	G1G5107CA1L	16, 17
FEP-0848-3RA	9	FEP-7624-3RA	9	FPC8220	75	G1G5110CA1N	16, 17
FEP-1612-1RA	8	FEP-7627-1RA	8	FPC8240	75	G1G5503T	11
FEP-1620-1RA	8	FEP-7648-1RA	8	FPC8260	75	G1G5505T	11
FEP-1620-3RA	9	FEP-7648-3RA	9	FS5101	17, 19	G1G5507T	11
FEP-1624-1RA	8	FEP-7657-1RA	8	FS5102	17, 19	G1G5510T	11
FEP-1624-3RA	9	FEP3848-3RA	9	FSP-1412-1C	78	G1G7203	98
FEP-1627-1RA	8	FES-0924-1C	80	FSP-3120-1	78	G1G7205	98
FEP-1648-1RA	8	FES-1024-1CA	80	FSP-3124-1	78	G1G7305	100
FEP-1648-3RA	9	FES-1520-3A	80	FSP-3127-1	78	G1GUH03003	13
FEP-1657-1RA	8	FES-1524-1A	80	FSP-3148-1	78	G1GUH05003	13
FEP-1712-1RA	8	FES-1524-3E	80	FSP-3157-1	78	G1GUH07CA1	13
FEP-1720-1RA	8	FES-1548-3E	80	FSP-4320-3	78	G1GUH10CA1	13
FEP-1720-3RA	9	FES-1560-3A	80	FSP-4324-3	78	G2903-024C	54
FEP-1724-1RA	8	FES-3048-3A	80	FSP-4327-1	78	G2903-024HAW	52
FEP-1724-3RA	9	FES-3060-3A	80	FSP-4348-3	78	G2903-024S	53
FEP-1727-1RA	8	FES-4548-3	80	FSP-4357-3	78	G2903-024SW	53
FEP-1748-1RA	8	FES-4560-3	80	FSP-9520-3	78	G2905-028C	54
FEP-1748-3RA	9	FFH-512A	72	FSP-9524-3	78	G2905-028HAW	52
FEP-1812-1RA	8	FFH-912B	72	FSP-9527-1	78	G2905-028S	53
FEP-1820-1RA	8	FH15	83	FSP-9548-3	78	G2905-028SW	53
FEP-1820-3RA	9	FH1T	83	FSP-9557-3	78	G2906-036C	54
FEP-1824-1RA	8	FHK-1	79	FSS-1412-1	64	G2906-036HAW	52
FEP-1824-3RA	9	FPC2110	75	FSS-1420-1	64	G2906-036S	53
FEP-1827-1RA	8	FPC2120	75	FSS-1424-1	64	G2906-036SW	53
FEP-1848-1RA	8	FPC2140	75	FSS-1427-1	64	G2907-040C	54
FEP-1848-3RA	9	FPC2160	75	FSS-1448-1	64	G2907-040HAW	52
FEP-3420-1RA	8	FPC2210	75	FSS-1457-1	64	G2907-040S	53
FEP-3420-3RA	9	FPC2220	75	FSS-3120-1	64	G2907-040SW	53
FEP-3424-1RA	8	FPC2240	75	FSS-3124-1	64	G2907-048C	54
FEP-3424-3RA	9	FPC2260	75	FSS-3127-1	64	G2907-048HAW	52
FEP-3427-1RA	8	FPC4110	75	FSS-3148-1	64	G2907-048S	53
FEP-3448-1RA	8	FPC4120	75	FSS-3157-1	64	G2907-048SW	53
FEP-3448-3RA	9	FPC4140	75	FSS-4320-3	64	G2909-060C	54
FEP-3457-1RA	8	FPC4160	75	FSS-4324-3	64	G2909-060HAW	52
FEP-3620-1RA	8	FPC4210	75	FSS-4327-1	64	G2909-060S	53
FEP-3620-3RA	9	FPC4220	75	FSS-4348-3	64	G2909-060SW	53
FEP-3624-1RA	8	FPC4240	75	FSS-4357-3	64	G2910-048C	54
FEP-3624-3RA	9	FPC4260	75	FSS-9520-3	64	G2910-048HAW	52
FEP-3627-1RA	8	FPC7110	75	FSS-9524-3	64	G2910-048S	53
FEP-3648-1RA	8	FPC7120	75	FSS-9527-1	64	G2910-048SW	53
FEP-3648-3RA	9	FPC7140	75	FSS-9548-3	64	G2911-072C	54
FEP-3657-1RA	8	FPC7160	75	FSS-9557-3	64	G2911-072HAW	52
FEP-3820-1RA	8	FPC7210	75	FSS95TMK	64	G2911-072S	53
FEP-3820-3RA	9	FPC7220	75	FSW5111	17	G2911-072SW	53
FEP-3824-1RA	8	FPC7240	75	FSW5112	17, 19, 22	G2912-060C	54
FEP-3824-3RA	9	FPC7260	75	G1G2605CA1	21	G2912-060HAW	52
FEP-38271-RA	8	FPC8110	75	G1G2607CA1	21	G2912-060S	53
FEP-3848-1RA	8	FPC8120	75	G1G2610CA1	21	G2912-060SW	53
FEP-7620-1RA	8	FPC8140	75	G1G5103N	16, 17	G2913-084C	54
FEP-7620-3RA	9	FPC8160	75	G1G5105N	16, 17	G2913-084S	53

<i>Model</i>	<i>Page</i>	<i>Model</i>	<i>Page</i>	<i>Model</i>	<i>Page</i>	<i>Model</i>	<i>Page</i>
G2913-084SW	53	G3323TD-RP	40	G3715-072B	50	H2903-024CI	54
G2915-072C	54	G3324TD-RP	40	G3715-096	50	H2903-024HAW	52
G2915-072HAW	52	G3325TD-RP	40	G3715-096B	50	H2903-024S	53
G2915-072S	53	G3326TD-RP	40	G3717-084	50	H2903-024SW	53
G2915-072SW	53	G3327TD-RP	40	G3717-084B	50	H2903-24AWi	52
G2915-096C	54	G3383D-RP	34	G3718-120	50	H2905-028C	54
G2915-096HAW	52	G3384D-RP	34	G3718-120B	50	H2905-028CI	54
G2915-096S	53	G3385D-RP	34	G3720-096	50	H2905-028HAW	52
G2915-096SW	53	G3386D-RP	34	G3720-096B	50	H2905-028S	53
G2917-084C	54	G3387D-RP	34	G3725-120	50	H2905-028SW	53
G2917-084S	53	G3422T	41	G3725-120B	50	H2905-28AWi	52
G2917-084SW	53	G3423T	41	G3904-28	49	H2906-036C	54
G2918-120C	54	G3424T	41	G3904-28C	49	H2906-036C	54
G2918-120HAW	52	G3425T	41	G3906-36	49	H2906-036HAW	52
G2918-120S	53	G3452SD	43	G3906-36C	49	H2906-036S	53
G2918-120SW	53	G3452T	41	G3910-48	49	H2906-036SW	53
G2920-096C	54	G3453SD	43	G3910-48C	49	H2906-36AWi	52
G2920-096HAW	52	G3453T	41	G3912-60	49	H2907-040C	54
G2920-096S	53	G3454SD	43	G3912-60C	49	H2907-040C	54
G2920-096SW	53	G3454T	41	G3915-72	49	H2907-040HAW	52
G2925-120C	54	G3455SD	43	G3915-72C	49	H2907-040S	53
G2925-120HAW	52	G3455T	41	G3920-96	49	H2907-040SW	53
G2925-120S	53	G3472A1	36	G3920-96C	49	H2907-40AWi	52
G2925-120SW	53	G3473A1	36	G8801050	31	H2910-048C	54
G3032DWBW	34	G3474A1	36	G8802075	31	H2910-048CI	54
G3052T2DWB	39	G3475A1	36	G8803100	31	H2910-048HAW	52
G3052TDWB	39	G3482A1	35	G8804125	31	H2910-048S	53
G3314RP	44	G3483A1	35	G8805150	31	H2910-048SW	53
G3314RPW	44	G3484A1	35	G8806200	31	H2910-48AWi	52
G3314T2RP	44	G3485A1	35	GF-SK-1	78	H2912-060C	54
G3314T2RPW	44	G3703-024	50	H1D1AA	88	H2912-060C	54
G3314TRP	44	G3703-024B	50	H1G7203	98	H2912-060HAW	52
G3314TRPW	44	G3705-028	50	H1G7205	98	H2912-060S	53
G3315RP	44	G3705-028B	50	H1G7305	100	H2912-060SW	53
G3315RPW	44	G3706-036	50	H1H2605CA1	21	H2912-60AWi	52
G3315T2RP	44	G3706-036B	50	H1H2607CA1	21	H2915-072C	54
G3315T2RPW	44	G3707-040	50	H1H2610CA1	21	H2915-072CI	54
G3315TRP	44	G3707-040B	50	H1H5503T	11	H2915-072HAW	52
G3315TRPW	44	G3707-048	50	H1H5505T	11	H2915-072S	53
G3316RP	44	G3707-048B	50	H1H5507T	11	H2915-072SW	53
G3316RPW	44	G3709-060	50	H1H5510T	11	H2915-72AWi	52
G3316T2RP	44	G3709-060B	50	H1H5515T	11	H2917-084C	54
G3316T2RPW	44	G3710-048	50	H1HUH03003	13	H2917-084CI	54
G3316TRP	44	G3710-048B	50	H1HUH05003	13	H2917-084S	53
G3316TRPW	44	G3711-072	50	H1HUH07CA1	13	H2917-084SW	53
G3317RP	44	G3711-072B	50	H1HUH12C03	13	H2917-84AWi	52
G3317RPW	44	G3712-060	50	H1HUH15C03	13	H2920-096C	54
G3317T2RP	44	G3712-060B	50	H1HUH20CA1	13	H2920-096CI	54
G3317T2RPW	44	G3713-084	50	H1HUH25CA1	13	H2920-096HAW	52
G3317TRP	44	G3713-084B	50	H1HUH30CA1	13	H2920-096S	53
G3317TRPW	44	G3715-072	50	H2903-024C	54	H2920-096SW	53

Product Index Listing

Model	Page	Model	Page	Model	Page	Model	Page
H2920-120AWi	52	H3706-036	50	H3H2640CA1	21	HF3315T2RPW	44
H2925-120C	54	H3706-036B	50	H3H2650CA1	21	HF3315T2SRP	45
H2925-120CI	54	H3707-040	50	H3H5503T	11	HF3315T2SRPW	45
H2925-120HAW	52	H3707-040B	50	H3H5505T	11	HF3315TRP	44
H2925-120S	53	H3710-048	50	H3H5507T	11	HF3315TRPW	44
H2925-120SW	53	H3710-048B	50	H3H5510T	11	HF3315TSRP	45
H2HUH05C03	13	H3712-060	50	H3H5515T	11	HF3315TSRPW	45
H2HUH07C03	13	H3712-060B	50	H3H5520T	11	HF3316RP	44
H3032DWBW	34	H3715-072	50	H3H5525T	11	HF3316RPW	44
H30522T2DWB	39	H3715-072B	50	H3H5530T	11	HF3316T2RP	44
H30522TDWB	39	H3717-084	50	H3H5605T	23	HF3316T2RPW	44
H3052T2DWB	39	H3717-084B	50	H3H5705T	22, 98	HF3316T2SRP	45
H3052TDWB	39	H3720-096	50	H3HUH03C03	13	HF3316T2SRPW	45
H3275RPW	46	H3720-096B	50	H3HUH12C03	13	HF3316TRP	44
H3275T2RPW	46	H3725-120	50	H3HUH15C03	13	HF3316TRPW	44
H3317RP	44	H3725-120B	50	H3HUH20CA1	13	HF3316TSRP	45
H3317RPW	44	H3904-28	49	H3HUH25CA1	13	HF3316TSRPW	45
H3317T2RP	44	H3904-28C	49	H3HUH30CA1	13	HF3323TD-RP	40
H3317T2RPW	44	H3906-36	49	H474 TMC	82	HF3324TD-RP	40
H3317T2SRP	45	H3906-36C	49	H5520/HMK	10	HF3325TD-RP	40
H3317T2SRPW	45	H3910-48	49	H5550/HMK	10	HF3326TD-RP	40
H3317TRP	44	H3910-48C	49	H8801050	31	HF3384D-RP	34
H3317TRPW	44	H3912-60	49	H8801050i	31	HF3385D-RP	34
H3317TSRP	45	H3912-60C	49	H8802075	31	HF3386D-RP	34
H3317TSRPW	45	H3915-72	49	H8802075i	31	HF3B51100CA1	19
H3327TD-RP	40	H3915-72C	49	H8803100	31	HF3B5115CA1L	16, 17
H3387D-RP	34	H3920-96	49	H8803100i	31	HF3B5120CA1L	16, 17
H3422T	41	H3920-96C	49	H8804125	31	HF3B5125CA1L	16, 17
H3423T	41	H3G7203	98	H8804125i	31	HF3B5130CA1L	16, 17
H3424T	41	H3G7205	98	H8805150	31	HF3B5140CA1L	16, 17
H3425T	41	H3G7210	98	H8805150i	31	HF3B5150CA1L	16, 17
H3452SD	43	H3G7210-2	98	H8806200	31	HF3B5160CA1	19
H3452T	41	H3G7215	98	H8806200i	31	HF3B5170CA1	19
H3453SD	43	H3G7215-2	98	HF1B5103N	16, 17	HF3B5180CA1	19
H3453T	41	H3G7220-2	98	HF1B5105N	16, 17	HF3B5190CA1	19
H3454SD	43	H3G7223-2	98	HF2B5103N	16, 17	HF4310RP	47
H3454T	41	H3G7230-2	98	HF2B5105N	16, 17	HF4310RPW	47
H3455SD	43	H3G7305	100	HF2B5107CA1L	16, 17	HF4310T2RP	47
H3455T	41	H3G7310	100	HF2B5110CA1L	16, 17	HF4310T2RPW	47
H3472A1	36	H3G7310-2	100	HF2HUH10C03	13	HF4310TRP	47
H3473A1	36	H3G7312	100	HF3210RPW	46	HF4310TRPW	47
H3474A1	36	H3G7312-2	100	HF3210T2RPW	46	HF4315RP	47
H3475A1	36	H3G7315	100	HF3215RPW	46	HF4315RPW	47
H3482A1	35	H3G7315-2	100	HF3215T2RPW	46	HF4315T2RP	47
H3483A1	35	H3H2605CA1	21	HF3220RPW	46	HF4315T2RPW	47
H3484A1	35	H3H2607CA1	21	HF3220T2RPW	46	HF4315TRP	47
H3485A1	35	H3H2610CA1	21	HF3222RPW	46	HF4315TRPW	47
H3703-024	50	H3H2615CA1	21	HF3222T2RPW	46	HF4320RP	47
H3703-024B	50	H3H2620CA1	21	HF3315RP	44	HF4320RPW	47
H3705-028	50	H3H2625CA1	21	HF3315RPW	44	HF4320T2RP	47
H3705-028B	50	H3H2630CA1	21	HF3315T2RP	44	HF4320T2RPW	47

<i>Model</i>	<i>Page</i>	<i>Model</i>	<i>Page</i>	<i>Model</i>	<i>Page</i>	<i>Model</i>	<i>Page</i>
HF4320TRP	47	HLA 20-480360-25.0-24	5	J3454SD	43	L8806200	31
HF4320TRPW	47	HLA 20-600360-15.0-24	5	J3454T	41	LB110	87
HF4375RP	47	HLA 20-600360-20.0-24	5	J3455SD	43	LB210	87
HF4375RPW	47	HLA 20-600360-25.0-24	5	J3455T	41	LRD100A	87
HF4375T2RP	47	HLHM	6	J3472A1	36	LVRS	55
HF4375T2RPW	47	HLPM1015	6	J3473A1	36	LVR SB	55
HF4375TRP	47	HLPM1525	6	J3474A1	36	LVR SW	55
HF4375TRPW	47	HLP M37	6	J3475A1	36	LVTR	60
HF4410T2RP	40	HLT-1	6, 9, 85	J3482A1	35	M2903-024CI	54
HF4415T2RP	40	HLT-2	6, 9, 85	J3483A1	35	M2903-24AWi	52
HF4420T2RP	40	HLWM10	6	J3484A1	35	M2905-028CI	54
HF4475T2RP	40	HLWM1525	6	J3485A1	35	M2905-28AWi	52
HF4810RPW	48	HLWM37	6	JK	55	M2906-036CI	54
HF4810T2RPW	48	HP-11-QT	79	JKB	55	M2906-36AWi	52
HF4815RPW	48	HP-5-QT	79	JKW	55	M2907-040CI	54
HF4815T2RPW	48	HP-6-QT	79	K3326TD-RP	40	M2907-40AWi	52
HF4820RPW	48	HP6-1000120-2CT	96	K3327TD-RP	40	M2910-048CI	54
HF4820T2RPW	48	HP6-1000120-2CTRP	97	K3422T	41	M2910-48AWi	52
HF4875RPW	48	HP6-1000120-2T	96	K3423T	41	M2912-060CI	54
HF4875T2RPW	48	HP6-1000120-2TRP	97	K3424T	41	M2912-60AWi	52
HF5605T	23	HP8-1440120-2CT	96	K3425T	41	M2915-072CI	54
HF5705T	22, 98	HP8-1440120-2CTRP	97	K3452SD	43	M2915-72AWi	52
HF5840TC	82	HP8-1440120-2T	96	K3452T	41	M2917-084CI	54
HF5848TC	82	HP8-1440120-2TRP	97	K3453SD	43	M2917-84AWi	52
HF684TC	82	HR-F1-7	95	K3453T	41	M2920-096CI	54
HF685TC	82	HR-F3-8.5	95	K3454SD	43	M2925-120AWi	52
HF686TC	82	HR-F3-12.2	95	K3454T	41	M2925-120CI	54
HIHUH10CA1	13	HR-H1-8.1	95	K3455SD	43	M3210T2RPWi	46
HLA 12-208160-3.0-24	5	HR-H1-8.5	95	K3455T	41	M3215T2RPWi	46
HLA 12-208160-5.0-24	5	HR-H3-14.1	95	K3472A1	36	M3220T2RPWi	46
HLA 12-208160-7.5-24	5	HR-P3-10.0	95	K3473A1	36	M3222T2RPWi	46
HLA 12-208360-3.0-24	5	HR-P3-15.0	95	K3474A1	36	M3315T2SRPWi	45
HLA 12-208360-5.0-24	5	HR-P3-20.0	95	K3475A1	36	M3316T2SRPWi	45
HLA 12-208360-7.5-24	5	HR-P3-20.0-2	95	K3482A1	35	M3324TD-RPi	40
HLA 12-240160-3.0-24	5	HR-P3-24.0	95	K3483A1	35	M3325TD-RPi	40
HLA 12-240160-5.0-24	5	ICH-240C	82	K3484A1	35	M3384D-RPi	34
HLA 12-240160-7.5-24	5	IDS	60	K3485A1	35	M3385D-RPi	34
HLA 12-240360-3.0-24	5	IDS 30	60	KB33	25	M3386D-RPi	34
HLA 12-240360-5.0-24	5	IDS 40	60	KB46	25	M3472T2i	36
HLA 12-240360-7.5-24	5	ITD	60	KB66	25	M3473T2i	36
HLA 12-480360-3.0-24	5	ITS	60	KB79	25	M3474T2i	36
HLA 12-480360-5.0-24	5	J3326TD-RP	40	KT110	86	M3482T2i	35
HLA 12-480360-7.5-24	5	J3327TD-RP	40	KT121	86	M3483T2i	35
HLA 16-208360-10.0-24	5	J3422T	41	KTD110	86	M3484T2i	35
HLA 16-240160-10.0-24	5	J3423T	41	KTO110	86	M4310T2RPi	47
HLA 16-240360-10.0-24	5	J3424T	41	KTO121	86	M4315T2RPi	47
HLA 16-480360-10.0-24	5	J3425T	41	L8801050	31	M4320T2RPi	47
HLA 20-208360-15.0-24	5	J3452SD	43	L8802075	31	M4375T2RPi	47
HLA 20-240360-15.0-24	5	J3452T	41	L8803100	31	M8801050i	31
HLA 20-480360-15.0-24	5	J3453SD	43	L8804125	31	M8802075i	31
HLA 20-480360-20.0-24	5	J3453T	41	L8805150	31	M8803100i	31

Product Index Listing

Model	Page	Model	Page	Model	Page	Model	Page
M8804125i	31	OCH-57-240VCE	70	P3P5510T	11	PD10-1812-3	102
M8805150i	31	OCH-57-240VE	70	P3P5515T	11	PD15-1812-1	102
M8806200i	31	OCH-57-277V-SSE	70	P3P5520T	11	PD15-1812-1-3	102
MCS120-8CT	96	OCH-57-277VE	70	P3P5525T	11	PD15-1812-2-3	102
MFHE-0300-6-EAA	97	OCH-57-480V-SSE	70	P3P5530T	11	PD20-2012-1	102
MFHE-0300-6-EAAC	97	OCH-57-480VE	70	P3P5540T	11	PD20-2012-3	102
MFHE-0300-6-EAACRP	97	OCHWG-46	70	P3P5548T	11	PD25-2016-1	102
MFHE-0300-6-EAARP	97	OCHWG-57	70	P3P5605T	23	PD25-2016-3	102
MFHE-0300-6-FAAF2D	97	OFG 51100	18	P3P5705T	22, 98	PD30-2416-2-3	102
MFHE-0300-6-HAA	97	OFG 5175	18	P3P7205	98	PD30-2416-3-3	102
MFHE-0300-6-HAAF2D	97	OFG5101	15	P3P7210-2	98	PD35-2416-3	102
MFHE-0300-6-HAARP	97	OFG5102	15	P3P7215	98	PD40-2416-3	102
MFHE-0300-8-EAA	97	OFG5103	15	P3P7215-2	98	PD45-3016-3	102
MFHE-0300-8-EAAC	97	P3472A1	36	P3P7220-2	98	PD5-128-1	102
MFHE-0300-8-EAACRP	97	P3473A1	36	P3P7225-2	98	PD50-3016-3	102
MFHE-0300-8-EAARP	97	P3474A1	36	P3P7230-2	98	PHLA12-208160-3.0-24-TDP	7
MFHE-0300-8-HAA	97	P3475A1	36	P3P7235-2	98	PHLA12-208160-5.0-24-TDP	7
MFHE-0300-8-HAARP	97	P3482A1	35	P3P7240-2	98	PHLA12-208160-7.5-24-TDP	7
MM-13A	72	P3483A1	35	P3P7245-2	98	PHLA12-208360-3.0-24-TDP	7
MM-24A	72	P3484A1	35	P3P7250-2	98	PHLA12-208360-5.0-24-TDP	7
MM-33A	72	P3485A1	35	P3P7305	100	PHLA12-208360-7.5-24-TDP	7
MM-46A	72	P3G7210	98	P3P7310	100	PHLA12-240160-3.0-24-TDP	7
MMWG-13	72	P3P2605CA1	21	P3P7310-2	100	PHLA12-240160-5.0-24-TDP	7
MMWG-24	72	P3P2607CA1	21	P3P7312	100	PHLA12-240160-7.5-24-TDP	7
MMWG-33	72	P3P2610CA1	21	P3P7312-2	100	PHLA12-240360-3.0-24-TDP	7
MMWG-46	72	P3P2615CA1	21	P3P7315	100	PHLA12-240360-5.0-24-TDP	7
MS4122	33	P3P2620CA1	21	P3P7315-2	100	PHLA12-240360-7.5-24-TDP	7
MS4123	33	P3P2625CA1	21	P3P7318	100	PHLA12-480360-3.0-24-TDP	7
MS4124	33	P3P2630CA1	21	P3P7318-2	100	PHLA12-480360-5.0-24-TDP	7
MS4125	33	P3P2640CA1	21	P3PUH03CA1	13	PHLA12-480360-7.5-24-TDP	7
MS4126	33	P3P2650CA1	21	P3PUH05CA1	13	PHLA12-600360-3.0-24-TDP	7
MSE4120-12	33	P3P5103CA1N	16, 17	P3PUH07CA1	13	PHLA12-600360-5.0-24-TDP	7
N3472T2i	36	P3P5105CA1N	16, 17	P3PUH10CA1	13	PHLA12-600360-7.5-24-TDP	7
N3473T2i	36	P3P5107CA1L	17	P3PUH12CA1	13	PHLA16-208360-10.0-24-TDP	7
N3474T2i	36	P3P5107CA1N	16	P3PUH15CA1	13	PHLA16-240160-10.0-24-TDP	7
N3482T2i	35	P3P51100CA1	19	P3PUH20CA1	13	PHLA16-240360-10.0-24-TDP	7
N3483T2i	35	P3P5110CA1N	16, 17	P3PUH25CA1	13	PHLA16-480360-10.0-24-TDP	7
N3484T2i	35	P3P5115CA1L	17	P3PUH30CA1	13	PHLA16-600360-10.0-24-TDP	7
OCH-46-120V-SSE	70	P3P5115CA1N	16	P3PUH40CA1	13	PHLA20-208360-15.0-24-TDP	7
OCH-46-120VCE	70	P3P5120CA1N	16, 17	P3PUH48CA1	13	PHLA20-240360-15.0-24-TDP	7
OCH-46-120VE	70	P3P5125CA1N	16, 17	P5520/PMK	10	PHLA20-480360-15.0-24-TDP	7
OCH-46-208V-SSE	70	P3P5130CA1N	16, 17	P5550/PMK	10	PHLA20-480360-20.0-24-TDP	7
OCH-46-208VE	70	P3P5140CA1N	16, 17	P8801050	31	PHLA20-480360-25.0-24-TDP	7
OCH-46-240V-SSE	70	P3P5150CA1N	16, 17	P8802075	31	PHLA20-600360-15.0-24-TDP	7
OCH-46-240VE	70	P3P5160CA1	19	P8803100	31	PHLA20-600360-20.0-24-TDP	7
OCH-46-277V-SSE	70	P3P5170CA1	19	P8804125	31	PHLA20-600360-25.0-24-TDP	7
OCH-46-277VE	70	P3P5180CA1	19	P8805150	31	PR 120-277/120	60
OCH-57-208V-SSE	70	P3P5190CA1	19	P8806200	31	PR 120-277/24	60
OCH-57-208VCE	70	P3P5503T	11	PCH-48C	79	PR 120-277/240	60
OCH-57-208VE	70	P3P5505T	11	PD-128-3	102	PT3480	35
OCH-57-240V-SSE	70	P3P5507T	11	PD10-1810-1	102	Q3H5103CA1	16

Model	Page	Model	Page	Model	Page	Model	Page
Q3H5105CA1	16	RDBT-PD-6	62	RSDRF-Kit	92	TC1602	17, 22
Q3H5107CA1	16	RDBT-PD-600BS	62	RSDRF1001	93	TC5102	17, 19
Q3H5110CA1	16	RDBT-PD-7	62	RSDRFK5002	92	TC5103	17
Q3H5115CA1	16	RDBT-PD-700BS	62	RSDWH-240Kit	93	TF-33	25
Q3H5120CA1	16	RDBT-PD-8	62	RSDWH1001	93	TF-46	25
Q3H5125CA1	16	RDBT-PD-800BS	62	S2022H10AA	86	TF-66	25
Q3H5130CA1	16	RDBT-PD-9	62	S2022H10AB	86	TF-79	25
Q3H5140CA1	16	RDBT-PD-900BS	62	S2025H10AA	17, 86	TFSS101	17, 19
R3H5103CA1	16	RDBT-PDIC	62	SB-6	97	TFSS102	17
R3H5105CA1	16	RDBT-PDIECL	62	SB-8	97	TG1	89
R3H5107CA1	16	RDBT-PDIECR	62	SB6-120-CT	96	TG1B	89
R3H5110CA1	16	RDBT-PDOC	62	SB6-120-T	96	TG2	89
R3H5115CA1	16	RFKit-5	88, 99	SB8-120-CT	96	TG3	89
R3H5120CA1	16	RFR-5	88	SB8-120-T	96	TG3B	89
R3H5125CA1	16	RFR5002	88	SC5100	19	TG4	89
R3H5130CA1	16	RFR5002	90	SDA1001	93	TG5	89
R3H5140CA1	16	RFR5002	93	SDHW1001	90	TG6	89
RCP122	37	RFT-1	88	SDHW1002	90	TH115-A-024T	89
RCP122i	37	RH1505D0	87	SDRF1001	90	TH147LE-P	89
RCP123	37	RH3	87	SDRFK5002	90	TL8230A1003	88
RCP123i	37	RH35	87	SDRMT001	90, 93	TO-SK-1	78
RCP125	37	RH3A	87	SF200	37	TSH1TX	83
RCP125i	37	RHG-1012A	79	SF400	37	TSH20J	83
RCP127	37	RK120EAA	94	SO 12/4	78, 80	TSH20JW	83
RCP127i	37	RK124EAA	94	SO 14/3	78	TSH2TX	83
RCP2202i	37	RK130EAA	94	SO 14/4	78	TUHI	12
RCP2203i	37	RK134EAA	94	SO 4/3	80	TW123	17
RCP2205i	37	RKWP1AA	94	SO 4/4	80	TW123 / TH5220D	89
RCP2207i	37	RMF-222-A	69	SO 6/4	80	TW145	86
RCP702	37	RMF-222-SS-A	69	SO 8/3	78	TW146	86
RCP703	37	RMF-223	69	SO 8/4	78	TW1512	17
RCP705	37	RMF-223-SS	69	SR120	55	TW155A	11, 86
RCP707	37	RMF-342-A	69	SR120B	55	TW255A	11, 86
RCP802	37	RMF-342-SS-A	69	SR120W	55	U8801050	31
RCP803	37	RMF-343	69	SR220	55	U8802075	31
RCP805	37	RMF-343-SS	69	SR220B	55	U8803100	31
RCP807	37	RMF-462-A	69	SR220W	55	U8804125	31
RD5120	15	RMF-462-SS-A	69	T1	8	U8805150	31
RD5150	15	RMF-463	69	T2	8	U8806200	31
RD5175	15	RMF-463-SS	69	T4398A1021	88	UHB-1	12
RDBT-PD-10	62	RPH-208-A	72	T5100	17	UHB-3	12
RDBT-PD-1000BS	62	RPH-240-A	72	T5102	17	UHB-4	12
RDBT-PD-100BS	62	RPH1-5A	83	T5122	17	UT1001	94
RDBT-PD-2	62	RPH2-5A	83	TAT-24-FAN-120V-1	96	UT3001	94
RDBT-PD-200BS	62	RPH2-5Ai	83	TAT-30/1T	96	UT8001	94
RDBT-PD-3	62	RPH22-5Ai	83	TAT-45/1T	96	UT9001	94
RDBT-PD-300BS	62	RSDA1001	92	TAT-ILC-25	96	V5105	15
RDBT-PD-4	62	RSDHW-Kit	92	TB3000	34	V51100	18
RDBT-PD-400BS	62	RSDHW1001	92	TB3380	34	V5120	15
RDBT-PD-5	62	RSDK1001	92	TBD	55	V5150	15
RDBT-PD-500BS	62	RSDMS1001	93	TBS	55	VHC-15	70, 74

Product Index Listing

<i>Model</i>	<i>Page</i>	<i>Model</i>	<i>Page</i>	<i>Model</i>	<i>Page</i>	<i>Model</i>	<i>Page</i>
VHC-32	70, 74						
VMB-41-SS	69, 70						
W5520/WMK	10						
W5550/WMK	10						
WWA00	55						
WWA01	55						
WWA02	55						
WWA03	55						
WWA04	55						
WWA05	55						
WWA06	55						
WWA07	55						
WWA08	55						
WWA09	55						
Y3472A1	36						
Y3473A1	36						
Y3474A1	36						
Y3475A1	36						
Y3482A1	35						
Y3483A1	35						
Y3484A1	35						
Y3485A1	35						
YES-1520-3A	80						
YES-1524-1A	80						
YES-1524-3E	80						
YES-1548-3E	80						
YES-3048-3A	80						