

# BrassCraft®



## Water Supplies

✓ No Lead

Innovative solutions delivered

Better engineering, better selection, better results



SUPPLY STOPS

WATER CONNECTORS

SUPPLY KITS

RISERS

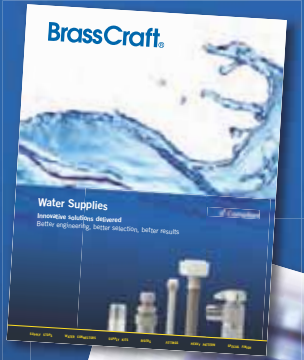
FITTINGS

SPECIAL FINISH

CATALOG

# The Professional's Head Start

Our clearly illustrated, easy-to-use catalogs are an important part of the BrassCraft leadership tradition – versatile, highly effective products that can help make your job easier and more rewarding. With BrassCraft catalogs by your side, finding and ordering the right plumbing products for every application is faster and simpler than ever before.



## WATER SUPPLIES

An invaluable, one-stop resource for plumbing professionals.

- Supply Stops
- Water Connectors
- Supply Kits
- Risers
- Fittings
- Special Finish



## GAS APPLIANCE & WATER HEATER CONNECTOR

A complete source for BrassCraft stainless steel gas connectors.

- Gas Connectors
- Water Heater Connectors
- Gas Valves
- Excess Flow Valves
- Tankless Service Valves
- Installation Kits

## BRASS FITTINGS

A comprehensive catalog featuring a full line of reliable, easy-to-install fittings and products.

- Flare
- Compression
- CPVC
- Iron Pipe
- Hose Barb
- Garden Hose
- Drain/Shut-off Cocks
- Needle & Humidifier Valves



# WATER SUPPLIES

---

## Table of Contents

# BrassCraft®

1/4 Turn Supply Stops.....	8-19	Water Heater Connectors .....	70-76
Multi-Turn Supply Stops.....	20-29	Brass Fittings.....	77-83
Dual Outlet Supply Stops .....	30-32	Waste Connectors.....	84-86
Dual Outlet, Dual Shut-Off Supply Stops....	33-34	Component Parts .....	87-89
Needle & Humidifier Valves .....	35-36	Water Supply Accessories .....	90
Water Supply Connectors.....	37-53	Special Finish Water Supplies .....	91-107
One-Piece Water Supplies.....	54-58	Finish Index .....	108-109
Supply Kits .....	59-66	Specifications .....	110-128
Water Connectors .....	67	Index .....	129-137
Installation Kits .....	68-69		

# BrassCraft®

## American-Made Quality

Founded in 1946 by Robert Zell in Detroit, Michigan, BrassCraft Mfg. Co. innovated and perfected the one-piece water supply valve and the flexible water supply tube. Today these products have become the industry standard for residential and commercial plumbing projects. BrassCraft has headquarters and manufacturing facilities in the U.S. We continue to remain competitive through major investments in our manufacturing facilities and by employing American workers.



## State-of-the-Art Engineering and Manufacturing

In the competitive environment of manufacturing, we know that we must meet your specifications for cost and quality. Everything we make is engineered for efficient equipment utilization and quality checked to exacting standards. This commitment to quality parts manufactured to the highest standards in tolerance and finish, has earned us our reputation for excellence.



## Compliant Solutions for the 2014 No-Lead\* Law

As of January 4, 2014, Federal Public Law 111-380 prohibits the sale of plumbing fixtures with a wetted surface area containing more than a weighted average of 0.25% lead. This law virtually eliminates the lead content of pipes, pipe fittings, plumbing fittings and fixtures intended to convey or dispense water for drinking or cooking.

BrassCraft Manufacturing is meeting the new no-lead\* law head on with a comprehensive range of compliant products including brass stops, braided water connectors, brass fittings, and hot water heater connectors.

Look for the checkmark  on packaging to verify that the product meets the new no-lead\* legislation requirements. To further assist our customers in separating their inventories from non-compliant product, our master cartons for compliant stops and stop-related products feature a striking BrassCraft blue stripe.



## The Latest Technology

When it comes to technology, BrassCraft Manufacturing has consistently led the industry. We understand the benefits of electronic commerce, and are constantly striving to implement the latest technologies to serve you better.



### EDI System

Saves time and ensures order accuracy by electronic order submission through our EDI (Electronic Data Interchange) system.

### SureCount™ Verification

Our SureCount™ shipping verification system improves efficiency in the distribution stream and reduces your receiving costs. Using state-of-the-art bar code technology, we verify outbound shipments to eliminate the need to double-check the shipment, saving you time and money.

### ROA Interface

BrassCraft's exclusive Remote Order Access system enables you to:

- Perform order entry and confirmation
- Check order status and ship dates
- Access invoices and packing slips
- Print packing lists
- Track shipments
- Online proof of delivery

### QR Barcodes

We employ QR (Quick Response) barcode technology on our packaging so customers can photo scan barcodes with their smart phones to access rich data about our products. These enhanced applications allow access to specifications, installation instructions and information to assist in the buying decision.

### Interactive Web

The streamlined, user-friendly site provides detailed information on the growing range of BrassCraft® plumbing supplies. Our website can be used with most handheld devices from smart phones, feature phones to tablet computers.

## The Professional's Choice®

When it comes to customized products to meet code or job requirements, BrassCraft offers the widest range of stop variations including metal stems, lock shields, stuffing boxes, and handle options. So when you need water supply products for any project,



small or large, specify the brand that professionals worldwide have trusted for over 65 years – BrassCraft.

## The Best Service in the Industry

What good are the best products in the industry without the best service? We match our high manufacturing standards with an equally high standard for customer service. When you call BrassCraft, you're our number one priority. Our sales and service team is ready to



answer your questions and fill your orders promptly and courteously.

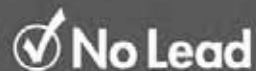
# LEADING THE NO-LEAD WAVE

## DID YOU KNOW?

- As of January 2014, leaded products became obsolete
- Non-compliant products are not grandfathered
- BrassCraft Mfg. has a broad selection of compliant products ready to ship, look for the checkmark ✓

## WHAT CAN YOU DO?

- Visit [www.brasscraft.com](http://www.brasscraft.com) for the latest no-lead industry updates
- Convert your inventory before it becomes obsolete



# BrassCraft®



Scan for  
more  
information

## Terms & Abbreviations

The following list of terms and abbreviations are used throughout this catalog. For your convenience, we have included a brief definition or explanation for each of these terms. Thank you for choosing the best. Thank you for choosing BrassCraft!



Fig. 1  
Bell Escutcheon



Fig. 2  
Faucet Riser



Fig. 3  
Braided Flexible  
One-Piece Supplies

**Comp:** Compression.

**CPVC:** Chlorinated Polyvinyl Chloride, a plastic used in plumbing systems.

**CSA:** Canadian Standards Association.

**Escutcheon:** Wall flange, or trim. (Fig. 1)

**FIP:** Female Iron Pipe.

**IAPMO:** International Association of Plumbing & Mechanical Officials.

**ID:** Inside Diameter.

**IPS:** Iron Pipe Size.

**MIP:** Male Iron Pipe.

**Nom:** Nominal measurement is 1/8" less than OD of the tube.

**NSF:** National Sanitation Foundation.

**OD:** Outside Diameter.

**PEX:** Cross-linked Polyethylene, a plastic used in plumbing systems.

**Riser:** A water supply tube to a faucet or a toilet. (Fig. 2)

**Braided Flexible One-Piece Supplies:** One-piece water supply featuring BrassCraft's patented engineered polymer braid connector and reinforced PVC flexible connector. Connector is factory attached. (Fig. 3)

**Stop:** Turns water supply on/off.

**UPC:** Uniform Plumbing Code.



## Quality That Runs in the Family

BrassCraft stops, machined from solid brass, offer the highest quality and most reliable connections. The finished stops are offered for a variety of connections including Compression, Sweat, PEX, CPVC and Push Connect. Options include metal stems, lock shields, dual outlets, dual shut-offs, stuffing boxes and handles.

All three platforms are designed, machined and assembled in the USA for longevity, consistently exceeding industry standards while offering superior performance, and are delivered with exceptional service. As the leading manufacturer of water stops for over 65 years, BrassCraft has the stop to meet your needs.



### KT™ Series 1/4 Turn Ball Stops

1/4 turn ball stops are first in its class with its robust design and superior performance. Available in a variety of configurations.



### G2™ Series 1/4 Turn Stops

1/4 turn stops offer durable construction and innovation. Available with a full range of options, including push connect technology.



### Multi-Turn Stops

Multi-turn stops are the industry standard with proven performance. Available in a wide variety of configurations.



Scan for  
more  
information





## Available Individually Boxed

BrassCraft stops are available individually packaged with clear product visual aids and descriptions. These durable boxes feature a reclosable top flap with a cellophane window that allows the customer to see the product.



The convenient easy-to-open and close box keeps the product secure and prevents parts from being lost. Each box also contains an individual UPC number.

Stops available individually boxed are indicated with a 1 suffix at the end of the part number. These stops are also highlighted with **bold print** in this catalog.

*Example:*

**O C R 1 9 X C 1** = 1/2" Nom Comp x 3/8" OD Outlet

Compression Inlet Angle Stop

Chrome Plated

Packaged individually in a reclosable box

# BrassCraft®

## 1/4 Turn Water Supply Stops

### KT™ Series

1/4 turn ball stops offer superior quality and performance. Additional features and benefits include:

- Positive 1/4 turn shut off
- Precision machined brass ball is specially engineered and mated with PTFE seats to provide smooth operation without freeze ups even after long periods of non-use
- Two high-performance o-rings withstand high temperatures and corrosion from harsh water environments
- Dual Outlet and Dual Outlet/Dual Shut Off configurations available
- 100% leak tested

### G2™ Series

1/4 turn technology offers durable construction and proven performance. Additional features and benefits include:

- Positive 1/4 turn shut off
- One-piece shut off mechanism provides smooth operation without freeze ups even after long periods of non-use
- Machined one-piece brass body provides strength, durability, and long lasting performance
- Easy-to-remove handle protects accidental stop operation during rough-ins
- 100% leak tested



Scan for  
more  
information



## Part Numbering System

Example:



<b>K</b>	<b>T</b>	<b>C</b>	<b>R</b>	<b>1</b>	<b>9</b>	<b>F</b>	<b>X</b>	<b>C</b>	<b>1</b>
Stop Style		Stop Type		Outlet	Inlet	Option	Compliant	Finish	Packaging
1/4 Turn Ball Stop		Compression Inlet		3/8" OD (1/4" Nom)	1/2" Nominal Copper, Angle	Female Compression		Chrome	Individually Boxed

**K T**  
Stop Style

### Stop Style

- KT 1/4 Turn Ball Stop
- KTS 1/4 Turn Ball Stop w/Loose Key

**C R**  
Stop Type

### Stop Type

- |    |                          |      |                       |
|----|--------------------------|------|-----------------------|
| CR | Compression Inlet        | BRPX | Barbed PEX Inlet      |
| PR | CPVC Inlet               | CS   | Sweat Extension Inlet |
| R  | Iron Pipe or Sweat Inlet | 33   | Slip-Joint Outlet     |

**1**  
Outlet

### Outlet

- |   |                    |   |                    |
|---|--------------------|---|--------------------|
| 0 | 1/4" OD            | 3 | 1/2" OD (3/8" Nom) |
| 1 | 3/8" OD (1/4" Nom) | 4 | 5/8" OD (1/2" Nom) |

**9**  
Inlet

### Inlet

- 0 3/8" Female Iron Pipe, Straight
- 1 3/8" OD Compression (1/4" Nom)
- 2 1/2" Female Iron Pipe, Straight
- 4 1/2" Nominal Copper, Straight
- 5 3/8" Female Iron Pipe, Angle
- 7 1/2" Female Iron Pipe, Angle
- 9 1/2" Nominal Copper, Angle

#### For Slip-Joint Outlets:

- 01 1/2" FIP Inlet, Angle
- 05 1/2" FIP Inlet, Straight
- 41 1/2" Nom Comp Inlet, Angle
- 45 1/2" Nom Comp Inlet, Straight

#### For Sweat Extension Inlets:

- 40 1/2" Nom Sweat x 3/8" OD Comp, Angle
- 41 1/2" Nom Sweat x 3/8" OD Comp, Straight

**F**  
Option (Modifier)

### Option

- F Female Compression

#### For Sweat Extension Inlets:

- B With Escutcheon

**X**  
Compliant

### Compliant

- X 100% Compliant

**C**  
Finish

### Finish

- C Chrome Plated
- R Rough/Unplated

#### For Sweat Extension Inlets:

- C Chrome Plated, Boxed
- R Rough/Unplated, Boxed

**1**  
Packaging (Modifier)

### Packaging

- 1 Individually Boxed (These stops are highlighted in **bold print** in this catalog).



PART NO.	UPC	DESCRIPTION	FINISH	QTY	LBS
<b>Compression x Compression - Angle</b>					
KTCR09X C	026613135595	1/2" Nom Comp x 1/4" OD Comp	Chrome	60	17.0
<b>KTCR09X C1</b>	026613144795	1/2" Nom Comp x 1/4" OD Comp	Chrome	24	7.0
KTCR09X R	026613135601	1/2" Nom Comp x 1/4" OD Comp	Rough	60	17.0
KTCR19X C	026613138688	1/2" Nom Comp x 3/8" OD Comp	Chrome	60	17.3
<b>KTCR19X C1</b>	026613144801	1/2" Nom Comp x 3/8" OD Comp	Chrome	24	7.1
KTCR39X C	026613138367	1/2" Nom Comp x 1/2" OD Comp	Chrome	60	19.0



<b>Compression x Compression - Straight</b>					
KTCR04X R	026613153155	1/2" Nom Comp x 1/4" OD Comp	Rough	60	15.8
KTCR11X C	026613150093	1/4" Nom Comp x 3/8" OD Comp	Chrome	60	14.2
KTCR14X C	026613138626	1/2" Nom Comp x 3/8" OD Comp	Chrome	60	16.0
<b>KTCR14X C1</b>	026613144764	1/2" Nom Comp x 3/8" OD Comp	Chrome	24	6.6
KTCR34X C	026613150130	1/2" Nom Comp x 1/2" OD Comp	Chrome	60	17.8
KTCR11FX C	026613142371	3/8" OD Fem Comp x 3/8" OD Comp	Chrome	60	14.9
<b>KTCR11FX C1</b>	026613142494	3/8" OD Fem Comp x 3/8" OD Comp	Chrome	24	6.1



<b>Compression x Slip-Joint - Angle</b>					
KT3341X C	026613138848	1/2" Nom Comp x 7/16" & 1/2" Slip-Joint	Chrome	60	19.7
<b>KT3341X C1</b>	026613144788	1/2" Nom Comp x 7/16" & 1/2" Slip-Joint	Chrome	24	8.0



<b>Compression x Slip-Joint - Straight</b>					
KT3345X C	026613138794	1/2" Nom Comp x 7/16" & 1/2" Slip-Joint	Chrome	60	18.4
<b>KT3345X C1</b>	026613144719	1/2" Nom Comp x 7/16" & 1/2" Slip-Joint	Chrome	24	7.5



<b>FIP x Compression - Angle</b>					
KTR15X C	026613142333	3/8" FIP x 3/8" OD Comp	Chrome	60	14.9
<b>KTR15X C1</b>	026613144825	3/8" FIP x 3/8" OD Comp	Chrome	24	6.1
KTR07X C	026613138053	1/2" FIP x 1/4" OD Comp	Chrome	60	17.5
KTR17X C	026613138718	1/2" FIP x 3/8" OD Comp	Chrome	60	17.7
<b>KTR17X C1</b>	026613144849	1/2" FIP x 3/8" OD Comp	Chrome	24	7.3
KTR37X C	026613138060	1/2" FIP x 1/2" OD Comp	Chrome	60	19.5



<b>FIP x Compression - Straight</b>					
KTR10X C	026613144535	3/8" FIP x 3/8" OD Comp	Chrome	60	14.1
KTR12X C	026613137841	1/2" FIP x 3/8" OD Comp	Chrome	60	16.8
<b>KTR12X C1</b>	026613144900	1/2" FIP x 3/8" OD Comp	Chrome	24	6.9



<b>FIP x Slip-Joint - Angle</b>					
KT3301X C	026613137056	1/2" FIP x 7/16" OD & 1/2" Slip-Joint	Chrome	60	20.1
<b>KT3301X C1</b>	026613144832	1/2" FIP x 7/16" OD & 1/2" Slip-Joint	Chrome	24	8.2

# 1/4 TURN SUPPLY STOPS

PART NO.	UPC	DESCRIPTION	FINISH	QTY	LBS
<b>Sweat x Compression - Angle</b>					
KTR09X C	026613150154	1/2" Nom Sweat x 1/4" OD Comp	Chrome	60	13.9
KTR19X C	026613144528	1/2" Nom Sweat x 3/8" OD Comp	Chrome	60	14.1
<b>KTR19X C1</b>	026613136103	1/2" Nom Sweat x 3/8" OD Comp	Chrome	32	7.7
KTR19X R	026613144856	1/2" Nom Sweat x 3/8" OD Comp	Rough	60	14.2



<b>Sweat x Compression - Angle With 5" Sweat Extension Tube</b>					
KTCS40X C	026613136738	1/2" Nom Sweat x 3/8" OD Comp	Chrome	30	12.5
KTCS40BX C	026613138350	1/2" Nom Sweat x 3/8" OD Comp With Bell Escutcheon	Chrome	30	13.5



<b>Sweat x Compression - Straight With 5" Sweat Extension Tube</b>					
KTCS41X C	026613157863	1/2" Nom Sweat x 3/8" OD Comp	Chrome	30	2.0
KTCS41BX C	026613144740	1/2" Nom Sweat x 3/8" OD Comp With Bell Escutcheon	Chrome	30	13.0



<b>Sweat x Compression - Straight</b>					
KTR04X R	026613137612	1/2" Nom Sweat x 1/4" OD Comp	Rough	60	12.7
KTR14X C	026613144870	1/2" Nom Sweat x 3/8" OD Comp	Chrome	60	13.5
<b>KTR14X C1</b>	026613135991	1/2" Nom Sweat x 3/8" OD Comp	Chrome	24	5.5
KTR14X R	026613144887	1/2" Nom Sweat x 3/4" OD Comp	Rough	60	13.1



<b>†Crimp PEX Barb x Compression - Angle</b>					
KTBRPX19X C	026613150062	1/2" Nom Barb x 3/8" OD Comp	Chrome	60	13.8



<b>†Crimp PEX Barb x Compression - Straight</b>					
KTBRPX14X C	026613150055	1/2" Nom Barb x 3/8" OD Comp	Chrome	60	12.8



<b>†Crimp PEX Barb x Barb - Straight</b>					
KTBRPX44X C	026613136745	1/2" Nom Barb x 1/2" Nom Barb	Chrome	60	11.6
KTBRPX44X R	026613144863	1/2" Nom Barb x 1/2" Nom Barb	Rough	60	11.5



† For Brass "Crimp PEX" fittings and stops ASTM F1807



PART NO.	UPC	DESCRIPTION	FINISH	QTY	LBS
<b>ΔCPVC Solvent Weld x Compression - Angle</b>					
KTPR19X C	026613138374	1/2" Nom CPVC x 3/8" OD Comp	Chrome	60	17.8
KTPR19X C1	026613144818	1/2" Nom CPVC x 3/8" OD Comp	Chrome	24	7.3



PART NO.	UPC	DESCRIPTION	FINISH	QTY	LBS
<b>ΔCPVC Solvent Weld x Compression - Straight</b>					
KTPR04X R	026613150147	1/2" Nom CPVC x 1/4" OD Comp	Rough	60	16.3
KTPR14X C	026613138664	1/2" Nom CPVC x 3/8" OD Comp	Chrome	60	16.6
KTPR14X C1	026613144771	1/2" Nom CPVC x 3/8" OD Comp	Chrome	24	6.8

Δ CPVC pre-torqued fittings eliminate the need for tightening on the job.

# 1/4 TURN SUPPLY STOPS

PART NO.	UPC	DESCRIPTION	FINISH	QTY	LBS
----------	-----	-------------	--------	-----	-----

## Compression x Compression - Angle

KTSCR19X C	026613136820	1/2" Nom Comp x 3/8" OD Comp	Chrome	60	19.8
KTSCR39X C	026613153186	1/2" Nom Comp x 1/2" OD Comp	Chrome	60	21.6



## FIP x Compression - Angle

KTSR15X C	026613150178	3/8" FIP x 3/8" OD Comp	Chrome	60	17.5
KTSR17X C	026613138077	1/2" FIP x 3/8" OD Comp	Chrome	60	20.3



## Sweat x Compression - Angle

KTSR19X C	026613150185	1/2" Nom Sweat x 3/8" OD Comp	Chrome	60	16.7
-----------	--------------	-------------------------------	--------	----	------



## Sweat x Compression - Straight

KTSR14X C	026613153209	1/2" Nom Sweat x 3/8" OD Comp	Chrome	60	16.1
-----------	--------------	-------------------------------	--------	----	------



## Sweat x Compression - Angle With 5" Sweat Extension Tube

KTSCS40BX C	026613150161	1/2" Nom Sweat x 3/8" OD Comp With Bell Escutcheon	Chrome	30	15.7
-------------	--------------	--	--------	----	------



## Sweat x Compression - Faucet Angle Supply Kit With 5" Sweat Extension Tube

KTSCS400AX C	026613153193	1/2" Nom Sweat x 3/8" OD Comp x 12" Riser With Bell Escutcheon	Chrome	25	30.2
--------------	--------------	--	--------	----	------



## Sweat x Compression - Toilet Angle Supply Kit With 5" Sweat Extension Tube

KTSCS401DLX C	026613155050	1/2" Nom Sweat x 3/8" OD Comp x 12" Riser With Bell Escutcheon	Chrome	50	34.0
---------------	--------------	--	--------	----	------



## Loose Key Retro-Fit Kit

KTS15SX-2+3	026613157719	Kit Includes Key Adaptor, Lock Shield and Replacement Screw	Chrome	25	2.0
-------------	--------------	---	--------	----	-----



## Part Numbering System

Example:



<b>G</b>	<b>2</b>	<b>C</b>	<b>R</b>	<b>1</b>	<b>9</b>	<b>P</b>	<b>X</b>	<b>X</b>	<b>C</b>	<b>1</b>
<b>Stop Style</b>		<b>Stop Type</b>		<b>Outlet</b>	<b>Inlet</b>	<b>Option</b>		<b>Compliant</b>	<b>Finish</b>	<b>Packaging</b>
1/4 Turn Stop		Compression Inlet		3/8" OD (1/4" Nom)	1/2" Nominal Copper, Angle	Compression PEX Inlet			Chrome	Individually Boxed

**G 2**  
Stop Style

### Stop Style

G2 1/4 Turn Stop

**C R**  
Stop Type

### Stop Type

CR	Compression Inlet	BRPX	Barbed PEX Inlet
PR	CPVC Inlet	CEPX	Cold Expansion PEX Inlet
R	Iron Pipe Inlet	33	Slip-Joint Outlet
PC	Push Connect Inlet	QPS	Push Connect Outlet
PS	Push Connect Inlet		

**1**  
Outlet

### Outlet Size

0	1/4" OD	3	1/2" OD (3/8" Nom)
1	3/8" OD (1/4" Nom)	4	5/8" OD (1/2" Nom)

**9**  
Inlet

### Inlet Size & Style

0	3/8" Female Iron Pipe, Straight
1	3/8" OD Compression (1/4" Nom)
2	1/2" Female Iron Pipe, Straight
4	1/2" Nominal Copper, Straight
5	3/8" Female Iron Pipe, Angle
7	1/2" Female Iron Pipe, Angle
9	1/2" Nominal Copper, Angle

#### For Slip-Joint Outlets:

01	1/2" FIP Inlet, Angle
05	1/2" FIP Inlet, Straight
41	1/2" Nom Comp Inlet, Angle
45	1/2" Nom Comp Inlet, Straight

**P X**  
Option (Modifier)

### Option

PX Compression PEX Inlet (w/Tube Insert)

**X**  
Compliant

### Compliant

X 100% Compliant

**C**  
Finish

### Finish

C	Chrome Plated, Trayed	R	Rough Unplated, Trayed
---	-----------------------	---	------------------------

**1**  
Packaging (Modifier)

### Packaging

1 Individually Boxed (These stops are highlighted in **bold print** in this catalog).



# BrassCraft®

## Push Connect Technology Water Supply Stops

Connect with Confidence.  
Fast. Reliable. Durable.

Features and benefits include:

- Three watertight options available
- Installation ready with pre-assembled tube insert
- No special installation tools required
- Smooth 1/4 turn operation
- Compatible with copper, PEX and CPVC
- 100% leak tested



Scan for  
more  
information



1/4 TURN SUPPLY STOPS



PART NO.	UPC	DESCRIPTION	FINISH	QTY	LBS
<b>Compression x Compression - Angle</b>					
G2CR09X C	026613138305	1/2" Nom Comp x 1/4" OD Comp	Chrome	60	13.1
<b>G2CR09X C1</b>	026613138312	1/2" Nom Comp x 1/4" OD Comp	Chrome	24	5.4
G2CR09X R	026613138329	1/2" Nom Comp x 1/4" OD Comp	Rough	60	13.2
G2CR19X C	026613135069	1/2" Nom Comp x 3/8" OD Comp	Chrome	60	13.5
<b>G2CR19X C1</b>	026613135809	1/2" Nom Comp x 3/8" OD Comp	Chrome	32	7.4
G2CR19X R	026613138534	1/2" Nom Comp x 3/8" OD Comp	Rough	60	13.6
G2CR39X C	026613144955	1/2" Nom Comp x 1/2" OD Comp	Chrome	60	15.8
<b>G2CR39X C1</b>	026613144962	1/2" Nom Comp x 1/2" OD Comp	Chrome	24	6.5
G2CR39X R	026613144979	1/2" Nom Comp x 1/2" OD Comp	Rough	60	15.9



<b>Compression x Compression - Straight</b>					
G2CR11X C	026613145075	1/4" Nom Comp x 3/8" OD Comp	Chrome	60	13.0
<b>G2CR11X C1</b>	026613144757	1/4" Nom Comp x 3/8" OD Comp	Chrome	24	5.4
G2CR14X C	026613136929	1/2" Nom Comp x 3/8" OD Comp	Chrome	60	15.2
<b>G2CR14X C1</b>	026613135892	1/2" Nom Comp x 3/8" OD Comp	Chrome	32	8.3
G2CR14X R	026613136943	1/2" Nom Comp x 3/8" OD Comp	Rough	60	15.3
G2CR34X C	026613144986	1/2" Nom Comp x 1/2" OD Comp	Chrome	60	16.8
<b>G2CR34X C1</b>	026613145044	1/2" Nom Comp x 1/2" OD Comp	Chrome	24	6.4
G2CR34X R	026613145051	1/2" Nom Comp x 1/2" OD Comp	Rough	60	16.9



<b>Compression PEX x Compression - Angle</b>					
G2CR19PXX C	026613149608	1/2" Nom Comp x 3/8" OD Comp With Tube Insert	Chrome	60	13.9



<b>Compression PEX x Compression - Straight</b>					
G2CR14PXX C	026613136936	1/2" Nom Comp x 3/8" OD Comp With Tube Insert	Chrome	60	15.7



<b>Compression x Slip-Joint - Angle</b>					
G23341X C	026613135243	1/2" Nom Comp x 7/16" & 1/2" OD Slip-Joint	Chrome	60	16.9
<b>G23341X C1</b>	026613135250	1/2" Nom Comp x 7/16" & 1/2" OD Slip-Joint	Chrome	24	6.9



<b>Compression x Slip-Joint - Straight</b>					
G23345X C	026613135236	1/2" Nom Comp x 7/16" & 1/2" OD Slip-Joint	Chrome	60	18.6
<b>G23345X C1</b>	026613145068	1/2" Nom Comp x 7/16" & 1/2" OD Slip-Joint	Chrome	24	7.6

# 1/4 TURN SUPPLY STOPS

PART NO.	UPC	DESCRIPTION	FINISH	QTY	LBS
<b>FIP x Compression - Angle</b>					
G2R15X C	026613145143	3/8" FIP x 3/8" OD Comp	Chrome	60	11.7
<b>G2R15X C1</b>	026613136059	3/8" FIP x 3/8" OD Comp	Chrome	24	4.8
G2R07X C	026613138336	1/2" FIP x 1/4" OD Comp	Chrome	60	13.5
<b>G2R07X C1</b>	026613138343	1/2" FIP x 1/4" OD Comp	Chrome	24	5.5
G2R07X R	026613144993	1/2" FIP x 1/4" OD Comp	Rough	60	13.6
G2R17X C	026613137926	1/2" FIP x 3/8" OD Comp	Chrome	60	13.6
<b>G2R17X C1</b>	026613135885	1/2" FIP x 3/8" OD Comp	Chrome	32	7.4
G2R17X R	026613145082	1/2" FIP x 3/8" OD Comp	Rough	60	13.7
<b>G2R17X R1</b>	026613145099	1/2" FIP x 3/8" OD Comp	Rough	24	5.6
G2R37X C	026613145006	1/2" FIP x 1/2" OD Comp	Chrome	60	15.9
<b>G2R37X C1</b>	026613145013	1/2" FIP x 1/2" OD Comp	Chrome	24	6.5



<b>FIP x Compression - Straight</b>					
G2R10X C	026613145037	3/8" FIP x 3/8" OD Comp	Chrome	60	13.0
<b>G2R10X C1</b>	026613137803	3/8" FIP x 3/8" OD Comp	Chrome	24	5.3
G2R12X C	026613138572	1/2" FIP x 3/8" OD Comp	Chrome	60	14.3
<b>G2R12X C1</b>	026613135953	1/2" FIP x 3/8" OD Comp	Chrome	24	5.9



<b>FIP x Slip-Joint - Angle</b>					
G23301X C	026613138411	1/2" FIP x 7/16" & 1/2" OD Slip-Joint	Chrome	60	17.1
<b>G23301X C1</b>	026613135724	1/2" FIP x 7/16" & 1/2" OD Slip-Joint	Chrome	24	7.0



<b>FIP x Slip-Joint - Straight</b>					
G23305X C	026613137735	1/2" FIP x 7/16" & 1/2" OD Slip-Joint	Chrome	60	17.5
<b>G23305X C1</b>	026613137742	1/2" FIP x 7/16" & 1/2" OD Slip-Joint	Chrome	24	7.2



<b>†Crimp PEX Barb x Compression - Angle</b>					
G2BRPX19X C	026613137568	1/2" Nom Crimp Barb x 3/8" OD Comp	Chrome	60	10.5
G2BRPX19X R	026613145112	1/2" Nom Crimp Barb x 3/8" OD Comp	Rough	60	10.6



<b>†Crimp PEX Barb x Compression - Straight</b>					
G2BRPX14X C	026613149578	1/2" Nom Crimp Barb x 3/8" OD Comp	Chrome	60	12.1
G2BRPX14X R	026613149585	1/2" Nom Crimp Barb x 3/8" OD Comp	Rough	60	12.2



<b>†Crimp PEX Barb x Barb - Straight</b>					
G2BRPX44X C	026613139821	1/2" Nom Crimp Barb x 1/2" Nom Barb	Chrome	60	11.4
G2BRPX44X R	026613136707	1/2" Nom Crimp Barb x 1/2" Nom Barb	Rough	60	11.4



† For Brass "Crimp PEX" fittings and stops ASTM F1807



PART NO.	UPC	DESCRIPTION	FINISH	QTY	LBS
<b>‡Cold Expansion PEX Barb x Compression - Angle</b>					
G2CEPX19X C	026613141589	1/2" Nom Cold Expansion Barb x 3/8" OD Comp	Chrome	60	11.3



<b>‡Cold Expansion PEX Barb x Compression - Straight</b>					
G2CEPX14X C	026613141565	1/2" Nom Cold Expansion Barb x 3/8" OD Comp	Chrome	60	12.9



<b>ΔCPVC Solvent Weld x Compression - Angle</b>					
G2PR19X C	026613142357	1/2" Nom CPVC x 3/8" OD Comp	Chrome	60	14.0
<b>G2PR19X C1</b>	026613144924	1/2" Nom CPVC x 3/8" OD Comp	Chrome	24	5.8
G2PR19X R	026613144931	1/2" Nom CPVC x 3/8" OD Comp	Rough	60	14.1



<b>ΔCPVC Solvent Weld x Compression - Straight</b>					
G2PR14X C	026613142364	1/2" Nom CPVC x 3/8" OD Comp	Chrome	60	15.8
<b>G2PR14X C1</b>	026613144917	1/2" Nom CPVC x 3/8" OD Comp	Chrome	24	6.5



<b>Push Connect x Compression - Angle</b>					
G2PS09X C	026613142180	1/2" Nom Push Connect x 1/4" OD Comp	Chrome	60	15.1
G2PS19X C	026613142128	1/2" Nom Push Connect x 3/8" OD Comp	Chrome	60	15.4



<b>Push Connect x Compression - Straight</b>					
G2PS14X C	026613142142	1/2" Nom Push Connect x 3/8" OD Comp	Chrome	60	15.8



<b>Push Connect x Push Connect - Angle</b>					
G2QPS19X C	026613145204	1/2" Nom Push Connect x 3/8" OD Push Connect	Chrome	60	16.6



<b>Push Connect x Push Connect - Straight</b>					
G2QPS14X C	026613145198	1/2" Nom Push Connect x 3/8" OD Push Connect	Chrome	60	16.5



<b>Push Connect Combination Removal Tool</b>					
PCT-10-6	026613142197	1/2" Nom and 1/4" Nom Combination Removal Tool		10	0.4

‡ For Brass "Cold Expansion PEX" fittings and stops ASTM F1960  
 Δ CPVC pre-torqued fittings eliminate the need for tightening on the job.

# 1/4 TURN SUPPLY STOPS

PART NO.	UPC	DESCRIPTION	FINISH	QTY	LBS
<b>Push Connect x Compression - Angle With Locking Clip</b>					
G2PC09X C	026613149615	1/2" Nom Push Connect x 1/4" OD Comp	Chrome	60	18.6
G2PC19X C	026613136967	1/2" Nom Push Connect x 3/8" OD Comp	Chrome	60	19.2
<b>G2PC19X C1</b>	026613135700	1/2" Nom Push Connect x 3/8" OD Comp	Chrome	20	6.3



<b>Push Connect x Compression - Straight With Locking Clip</b>					
G2PC14X C	026613136950	1/2" Nom Push Connect x 3/8" OD Comp	Chrome	60	20.2
<b>G2PC14X C1</b>	026613135922	1/2" Nom Push Connect x 3/8" OD Comp	Chrome	20	6.6



# BrassCraft®

## Multi-Turn Water Supply Stops

### The Industry Standard for Quality and Reliability.

Features and benefits include:

- Machined one-piece brass body provides strength, durability and long-lasting performance
- Easy-to-remove handle protects accidental stop operation during rough-ins
- Oval knurled handle provides a secure grip and smooth on/off operation
- Handle variations available for specific configurations - see variations page
- Dual Outlet and Dual Outlet/Dual Shut Off configurations available



Scan for  
more  
information



# Part Numbering System

Example:



<b>O</b>	<b>R</b>	<b>1</b>	<b>9</b>	<b>P</b>	<b>X</b>	<b>X</b>	<b>C</b>	<b>1</b>
<b>Stop Type</b>	<b>Outlet Size</b>	<b>Inlet</b>	<b>Options</b>	<b>Compliant</b>	<b>Finish</b>	<b>Packaging</b>		
Iron Pipe Inlet	3/8" OD (1/4" Nom)	1/2" Nominal Copper, Angle	Compression PEX Inlet		Chrome	Individually Boxed		



## Handle\*

\*Drop the 'O' in Stop Type, when using modifier

<b>S</b>	Loose Key, Lock Shield	<b>X</b>	Cross
<b>SS</b>	Screw Driver Slot, Lock Shield	<b>XX</b>	Round



## Stem\*

\*Drop the 'O' in Stop Type, when using modifier

<b>T</b>	Stuffing Box
----------	--------------



## Stop Type

<b>OCR</b>	Compression Inlet	<b>OR</b>	Iron Pipe Inlet	<b>BRPX</b>	Barbed PEX Inlet
<b>OFCR</b>	Flare Outlet, Compression Inlet	<b>OFR</b>	Flare Outlet, Iron Pipe Inlet	<b>CS</b>	Sweat Extension Inlet
<b>FR</b>	Flare Outlet, Sweat Inlet	<b>R</b>	Sweat Inlet	<b>O33</b>	Slip-Joint Outlet
<b>PR</b>	CPVC Inlet	<b>RD</b>	Sweat Outlet x Sweat Inlet		

### For Integral Shut-Offs:

<b>R</b>	Iron Pipe or Sweat Inlet
<b>DRS</b>	Screwdriver Slot, Less Lock Shield, Iron Pipe or Sweat Inlet



## Outlet Size (same as riser diameter)

<b>0</b>	1/4" OD	<b>4</b>	5/8" OD (1/2" Nom)
<b>1</b>	3/8" OD (1/4" Nom)	<b>8</b>	1/2" Iron Pipe
<b>2</b>	7/16" OD	<b>9</b>	3/8" Iron Pipe
<b>3</b>	1/2" OD (3/8" Nom)		



## Inlet Size & Style

<b>0</b>	3/8" Female Iron Pipe, Straight	<b>7</b>	1/2" Female Iron Pipe, Angle
<b>1</b>	3/8" OD Compression (1/4" Nom)	<b>9</b>	1/2" Nominal Copper, Angle
<b>2</b>	1/2" Female Iron Pipe, Straight	<b>A</b>	3/8" Nominal Copper, Straight
<b>4</b>	1/2" Nominal Copper, Straight	<b>B</b>	3/8" Nominal Copper, Angle
<b>5</b>	3/8" Female Iron Pipe, Angle		

### For Slip-Joint Outlets:

<b>01</b>	1/2" FIP Inlet, Angle
<b>05</b>	1/2" FIP Inlet, Straight
<b>41</b>	1/2" Nom Comp Inlet, Angle
<b>45</b>	1/2" Nom Comp Inlet, Straight

### For Integral Shut-Offs:

<b>83</b>	1/2" FIP x 1/2" MIP, Straight
<b>84</b>	1/2" Nom Sweat x 1/2" MIP, Straight
<b>44</b>	1/2" Nom Sweat x 1/2" Nom Sweat, Straight

### For Sweat Extension Inlets:

<b>40</b>	1/2" Nom Sweat x 3/8" OD Comp, Angle
<b>41</b>	1/2" Nom Sweat x 3/8" OD Comp, Straight
<b>47</b>	1/2" Nom Sweat x 1/2" OD Comp, Straight



## Options

<b>PX</b>	Compression PEX w/Tube Insert
-----------	-------------------------------

### For Sweat Extension Inlets:

<b>B</b>	w/Escutcheon
----------	--------------

### For Integral Shut-Offs:

<b>AA</b>	w/Check Inlet
<b>M</b>	w/Male Sweat Outlet



## Compliant

<b>X</b>	100% Compliant
----------	----------------



## Finish

<b>C</b>	Chrome Plated, Trayed
<b>R</b>	Rough/Unplated, Trayed

### For Sweat Extension Inlets:

<b>C</b>	Chrome Plated, Boxed
<b>R</b>	Rough/Unplated, Boxed



## Packaging

<b>1</b>	Individually Boxed (These stops are highlighted in <b>bold print</b> in this catalog).
----------	--

PART NO.	UPC	DESCRIPTION	FINISH	QTY	LBS
<b>Compression x Compression - Angle</b>					
OCR1BX C	026613150413	3/8" Nom Comp x 3/8" OD Comp	Chrome	60	12.2
OCR3BX C	026613150451	3/8" Nom Comp x 1/2" OD Comp	Chrome	60	14.5
OCR09X C	026613135274	1/2" Nom Comp x 1/4" OD Comp	Chrome	60	12.9
<b>OCR09X C1</b>	026613135298	1/2" Nom Comp x 1/4" OD Comp	Chrome	24	5.3
OCR09X R	026613135267	1/2" Nom Comp x 1/4" OD Comp	Rough	60	14.0
OCR19X C	026613135113	1/2" Nom Comp x 3/8" OD Comp	Chrome	60	13.2
<b>OCR19X C1</b>	026613135786	1/2" Nom Comp x 3/8" OD Comp	Chrome	32	7.2
OCR19X R	026613137445	1/2" Nom Comp x 3/8" OD Comp	Rough	60	14.3
<b>OCR19X R1</b>	026613135762	1/2" Nom Comp x 3/8" OD Comp	Rough	24	5.9
OCR29X C	026613138558	1/2" Nom Comp x 7/16" OD Comp	Chrome	60	14.3
<b>OCR29X C1</b>	026613135984	1/2" Nom Comp x 7/16" OD Comp	Chrome	24	5.9
OCR29X R	026613138602	1/2" Nom Comp x 7/16" OD Comp	Rough	60	15.4
OCR39X C	026613135182	1/2" Nom Comp x 1/2" OD Comp	Chrome	60	15.3
<b>OCR39X C1</b>	026613135212	1/2" Nom Comp x 1/2" OD Comp	Chrome	24	6.3
OCR39X R	026613135205	1/2" Nom Comp x 1/2" OD Comp	Rough	60	16.4
OCR49X C	026613150482	1/2" Nom Comp x 5/8" OD Comp	Chrome	60	18.0



### Compression x Compression - Straight

OCR11X C	026613153230	1/4" Nom Comp x 3/8" OD Comp	Chrome	60	13.7
<b>OCR11X C1</b>	026613141954	1/4" Nom Comp x 3/8" OD Comp	Chrome	24	5.6
OCR11X R	026613153247	1/4" Nom Comp x 3/8" OD Comp	Rough	60	14.9
OCR3AX C	026613150437	3/8" Nom Comp x 1/2" OD Comp	Chrome	60	16.4
OCR14X C	026613136981	1/2" Nom Comp x 3/8" OD Comp	Chrome	60	16.0
<b>OCR14X C1</b>	026613135977	1/2" Nom Comp x 3/8" OD Comp	Chrome	32	8.7
OCR14X R	026613138084	1/2" Nom Comp x 3/8" OD Comp	Rough	60	17.1
<b>OCR14X R1</b>	026613136004	1/2" Nom Comp x 3/8" OD Comp	Rough	24	7.0
OCR34X C	026613138428	1/2" Nom Comp x 1/2" OD Comp	Chrome	60	17.3
<b>OCR34X C1</b>	026613135946	1/2" Nom Comp x 1/2" OD Comp	Chrome	24	7.1
OCR34X R	026613138435	1/2" Nom Comp x 1/2" OD Comp	Rough	60	18.4



### Compression PEX x Compression - Angle

OCR19PXX C	026613139661	1/2" Nom Comp x 3/8" OD Comp With Tube insert	Chrome	60	13.6
OCR19PXX R	026613153353	1/2" Nom Comp x 3/8" OD Comp With Tube insert	Rough	60	13.6



### Compression PEX x Compression - Straight

OCR14PXX C	026613150321	1/2" Nom Comp x 3/8" OD Comp With Tube insert	Chrome	60	16.3
------------	--------------	---	--------	----	------



### Compression x Slip-Joint - Angle

03341X C	026613138671	1/2" Nom Comp x 7/16" & 1/2" Slip-Joint	Chrome	60	16.8
<b>03341X C1</b>	026613135878	1/2" Nom Comp x 7/16" & 1/2" Slip-Joint	Chrome	24	6.8
03341X R	026613138749	1/2" Nom Comp x 7/16" & 1/2" Slip-Joint	Rough	60	17.9



■ Denotes best selling Multi-Turn Supply Stops.



# MULTI-TURN SUPPLY STOPS

PART NO.	UPC	DESCRIPTION	FINISH	QTY	LBS
<b>Compression x Slip-Joint - Straight</b>					
03345X C	026613137940	1/2" Nom Comp x 7/16" & 1/2" Slip-Joint	Chrome	60	19.0
<b>03345X C1</b>	026613136028	1/2" Nom Comp x 7/16" & 1/2" Slip-Joint	Chrome	24	7.7



<b>Compression x Flare - Angle</b>					
0FCR19X C	026613150499	1/2" Nom Comp x 3/8" OD Flare	Chrome	60	13.8



<b>FIP x Compression - Angle</b>					
OR07X C	026613136844	1/2" FIP x 1/4" OD Comp	Chrome	60	13.0
<b>OR07X C1</b>	026613135939	1/2" FIP x 1/4" OD Comp	Chrome	24	5.3
OR07X R	026613137063	1/2" FIP x 1/4" OD Comp	Rough	60	14.1
OR15X C	026613137575	3/8" FIP x 3/8" OD Comp	Chrome	60	10.9
<b>OR15X C1</b>	026613135908	3/8" FIP x 3/8" OD Comp	Chrome	24	4.5
OR15X R	026613153476	3/8" FIP x 3/8" OD Comp	Rough	60	12.0
OR35X C	026613150772	3/8" FIP x 1/2" OD Comp	Chrome	60	12.8
OR17X C	026613138176	1/2" FIP x 3/8" OD Comp	Chrome	60	13.2
<b>OR17X C1</b>	026613135793	1/2" FIP x 3/8" OD Comp	Chrome	32	7.2
OR17X R	026613138565	1/2" FIP x 3/8" OD Comp	Rough	60	14.3
<b>OR17X R1</b>	026613138152	1/2" FIP x 3/8" OD Comp	Rough	24	5.9
OR27X C	026613150734	1/2" FIP x 7/16" OD Comp	Chrome	60	13.9
<b>OR27X C1</b>	026613150741	1/2" FIP x 7/16" OD Comp	Chrome	24	5.7
OR37X C	026613138596	1/2" FIP x 1/2" OD Comp	Chrome	60	15.1
<b>OR37X C1</b>	026613135748	1/2" FIP x 1/2" OD Comp	Chrome	24	6.2
OR37X R	026613153520	1/2" FIP x 1/2" OD Comp	Rough	60	16.2



## Variations

See page 112 for Available Variations



Lock Shield  
Loose Key  
Add Prefix "S"



Lock Shield  
Screwdriver Slot  
Add Prefix "SS"



Stuffing Box  
Add Prefix "T"



Sweat and loose key stops are furnished with brass stems. All others are furnished with corrosion resistant P.O.M. stems. Brass Stem (Non-Sweat) Add Suffix "Z" e.g., OCR19Z C



Stuffing Box  
Lock Shield  
Loose Key  
Add Prefix "ST"



Stuffing Box  
Lock Shield  
Screwdriver Slot  
Add Prefix "SST"



Cross Handle  
Add Prefix "X"



Round (Brass) Handle  
Add Prefix "XX"

  Denotes best selling Multi-Turn Supply Stops.



PART NO.	UPC	DESCRIPTION	FINISH	QTY	LBS
<b>FIP x Compression - Straight</b>					
OR10X C	026613154275	3/8" FIP x 3/8" OD Comp	Chrome	60	13.7
<b>OR10X C1</b>	026613141947	3/8" FIP x 3/8" OD Comp	Chrome	24	5.6
OR10X R	026613154282	3/8" FIP x 3/8" OD Comp	Rough	60	14.8
OR12X C	026613138442	1/2" FIP x 3/8" OD Comp	Chrome	60	16.2
<b>OR12X C1</b>	026613135755	1/2" FIP x 3/8" OD Comp	Chrome	24	6.6
OR12X R	026613154299	1/2" FIP x 3/8" OD Comp	Rough	60	17.3
OR32X C	026613135229	1/2" FIP x 1/2" OD Comp	Chrome	60	17.5
<b>OR32X C1</b>	026613135830	1/2" FIP x 1/2" OD Comp	Chrome	24	7.2



<b>FIP x FIP - Angle</b>					
OR95X C	026613150864	3/8" FIP x 3/8" FIP	Chrome	60	12.7



<b>FIP x FIP - Straight</b>					
OR90X C	026613150840	3/8" FIP x 3/8" FIP	Chrome	60	13.7
OR90X R	026613150857	3/8" FIP x 3/8" FIP	Rough	60	15.5
OR82X C	026613150802	1/2" FIP x 1/2" FIP	Chrome	60	16.2



<b>FIP x Flare - Angle</b>					
OFR15X C	026613153445	3/8" FIP x 3/8" OD Flare	Chrome	60	12.1
<b>OFR17X C</b>	026613150505	1/2" FIP x 3/8" OD Flare	Chrome	60	14.0
OFR17X R	026613153452	1/2" FIP x 3/8" OD Flare	Rough	60	14.0
<b>OFR37X C</b>	026613150529	1/2" FIP x 1/2" OD Flare	Chrome	60	15.9



<b>FIP x Flare - Straight</b>					
OFR12X C	026613157726	1/2" FIP x 1/2" OD Flare	Chrome	60	2.0



<b>FIP x Slip-Joint - Angle</b>					
03301X C	026613138657	1/2" FIP x 7/16" OD & 1/2" Slip-Joint	Chrome	60	16.6
<b>03301X C1</b>	026613135861	1/2" FIP x 7/16" OD & 1/2" Slip-Joint	Chrome	24	6.8
03301X R	026613138701	1/2" FIP x 7/16" OD & 1/2" Slip-Joint	Rough	60	17.8



<b>FIP x Slip-Joint - Straight</b>					
03305X C	026613138770	1/2" FIP x 7/16" OD & 1/2" Slip-Joint	Chrome	60	19.2
<b>03305X C1</b>	026613136035	1/2" FIP x 7/16" OD & 1/2" Slip-Joint	Chrome	24	7.8

■ Denotes best selling Multi-Turn Supply Stops.

# MULTI-TURN SUPPLY STOPS

PART NO.	UPC	DESCRIPTION	FINISH	QTY	LBS
<b>Sweat x Compression - Angle</b>					
R1BX C	026613153780	3/8" Nom Sweat x 3/8" OD Comp	Chrome	60	14.0
R09X C	026613153650	1/2" Nom Sweat x 1/4" OD Comp	Chrome	60	13.8
<b>R09X C1</b>	026613142500	1/2" Nom Sweat x 1/4" OD Comp	Chrome	24	5.7
R09X R	026613154329	1/2" Nom Sweat x 1/4" OD Comp	Rough	60	13.7
<b>R09X R1</b>	026613153667	1/2" Nom Sweat x 1/4" OD Comp	Rough	24	5.7
R19X C	026613138480	1/2" Nom Sweat x 3/8" OD Comp	Chrome	60	14.7
<b>R19X C1</b>	026613136110	1/2" Nom Sweat x 3/8" OD Comp	Chrome	32	8.1
R19X R	026613137919	1/2" Nom Sweat x 3/8" OD Comp	Rough	60	14.0
<b>R19X R1</b>	026613136127	1/2" Nom Sweat x 3/8" OD Comp	Rough	24	5.8
R39X C	026613151694	1/2" Nom Sweat x 1/2" OD Comp	Chrome	60	16.1
<b>R39X C1</b>	026613136066	1/2" Nom Sweat x 1/2" OD Comp	Chrome	24	6.9
R39X R	026613151700	1/2" Nom Sweat x 1/2" OD Comp	Rough	60	15.9



<b>Sweat x Compression - Straight</b>					
R04X C	026613154305	1/2" Nom Sweat x 1/4" OD Comp	Chrome	60	16.7
R04X R	026613154312	1/2" Nom Sweat x 1/4" OD Comp	Rough	60	16.5
<b>R04X R1</b>	026613136134	1/2" Nom Sweat x 1/4" OD Comp	Rough	24	6.8
R14X C	026613142548	1/2" Nom Sweat x 1/4" OD Comp	Chrome	60	16.9
<b>R14X C1</b>	026613136080	1/2" Nom Sweat x 3/8" OD Comp	Chrome	24	6.9
R14X R	026613154336	1/2" Nom Sweat x 3/8" OD Comp	Rough	60	16.7
<b>R14X R1</b>	026613136073	1/2" Nom Sweat x 3/8" OD Comp	Rough	24	6.9
R34X C	026613151588	1/2" Nom Sweat x 1/2" OD Comp	Chrome	60	18.2
<b>R34X C1</b>	026613136097	1/2" Nom Sweat x 1/2" OD Comp	Chrome	24	8.0
R34X R	026613151601	1/2" Nom Sweat x 1/2" OD Comp	Rough	60	18.0
<b>R34X R1</b>	026613151618	1/2" Nom Sweat x 1/2" OD Comp	Chrome	24	7.4



<b>Sweat x Compression - Angle With 5" Sweat Extension Tube</b>					
CS40X C	026613136721	1/2" Nom Sweat x 3/8" OD Comp	Chrome	30	10.9



## Variations

See page 112 for Available Variations



Lock Shield  
Loose Key  
Add Prefix "S"



Lock Shield  
Screwdriver Slot  
Add Prefix "SS"



Stuffing Box  
Add Prefix "T"



Sweat and loose key stops are furnished with brass stems. All others are furnished with corrosion resistant P.O.M. stems. Brass Stem (Non-Sweat) Add Suffix "Z" e.g., OCR19Z C



Stuffing Box  
Lock Shield  
Loose Key  
Add Prefix "ST"



Stuffing Box  
Lock Shield  
Screwdriver Slot  
Add Prefix "SST"



Cross Handle  
Add Prefix "X"



Round (Brass) Handle  
Add Prefix "XX"

■ Denotes best selling Multi-Turn Supply Stops.

PART NO.	UPC	DESCRIPTION	FINISH	QTY	LBS
----------	-----	-------------	--------	-----	-----

### Sweat x Compression - Angle With 5" Sweat Extension Tube (cont.)



CS40BX C	026613138299	1/2" Nom Sweat x 3/8" OD Comp With Bell Escutcheon	Chrome	30	12.5
<b>CS40BX C1</b>	026613135717	1/2" Nom Sweat x 3/8" OD Comp With Bell Escutcheon	Chrome	24	10.0
CS44BX C	026613149431	3/8" Nom Sweat x 3/8" OD Comp With Bell Escutcheon	Chrome	30	12.6

### Sweat x Compression - Straight With 5" Sweat Extension Tube



CS41X C	026613149370	1/2" Nom Sweat x 3/8" OD Comp	Chrome	30	11.9
CS47X C	026613149455	1/2" Nom Sweat x 1/2" OD Comp	Chrome	30	12.8



CS41BX C	026613137896	1/2" Nom Sweat x 3/8" OD Comp With Bell Escutcheon	Chrome	30	13.4
<b>CS41BX C1</b>	026613136042	1/2" Nom Sweat x 3/8" OD Comp With Bell Escutcheon	Chrome	24	10.7
CS47BX C	026613149462	1/2" Nom Sweat x 1/2" OD Comp With Bell Escutcheon	Chrome	30	14.3

### Sweat x Flare - Angle



FR19X C	026613149547	1/2" Nom Sweat x 3/8" OD Flare	Chrome	60	14.8
FR19X R	026613149554	1/2" Nom Sweat x 3/8" OD Flare	Rough	60	14.7
FR39X C	026613149561	1/2" Nom Sweat x 1/2" OD Flare	Chrome	60	17.1

### †Crimp PEX Barb x Compression - Angle



BRPX1BX C	026613149059	3/8" Nom Barb x 3/8" OD Comp	Chrome	60	10.0
BRPX09X C	026613149011	1/2" Nom Barb x 1/4" OD Comp	Chrome	60	9.4
BRPX09X R	026613149035	1/2" Nom Barb x 1/4" OD Comp	Rough	60	9.4
BRPX19X C	026613138206	1/2" Nom Barb x 3/8" OD Comp	Chrome	60	9.7
BRPX19X R	026613138213	1/2" Nom Barb x 3/8" OD Comp	Rough	60	9.7

### †Crimp PEX Barb x Compression - Straight



BRPX04X C	026613148991	1/2" Nom Barb x 1/4" OD Comp	Chrome	60	12.2
BRPX04X R	026613149004	1/2" Nom Barb x 1/4" OD Comp	Rough	60	12.2
BRPX14X C	026613142326	1/2" Nom Barb x 3/8" OD Comp	Chrome	60	13.2
BRPX14X R	026613149042	1/2" Nom Barb x 3/8" OD Comp	Rough	60	13.2

### †Crimp PEX Barb x Barb - Straight



BRPX44X C	026613139814	1/2" Nom Barb x 1/2" Nom Barb	Chrome	60	11.2
BRPX44X R	026613136691	1/2" Nom Barb x 1/2" Nom Barb	Rough	60	11.2

### △CPVC Solvent Weld x Compression - Angle



PR09X R	026613135281	1/2" Nom CPVC x 1/4" OD Comp	Rough	60	13.4
PR19X C	026613136752	1/2" Nom CPVC x 3/8" OD Comp	Chrome	60	13.7
<b>PR19X C1</b>	026613138589	1/2" Nom CPVC x 3/8" OD Comp	Chrome	24	5.7
PR19X R	026613142555	1/2" Nom CPVC x 3/8" OD Comp	Rough	60	13.7
PR39X C	026613153643	1/2" Nom CPVC x 1/2" OD Comp	Chrome	60	15.8
PR39X R	026613142395	1/2" Nom CPVC x 1/2" OD Comp	Rough	60	15.8

■ Denotes best selling Multi-Turn Supply Stops.

† For Brass "Crimp PEX" fittings and stops ASTM F1807

△ CPVC pre-torqued fittings eliminate the need for tightening on the job.

# MULTI-TURN SUPPLY STOPS

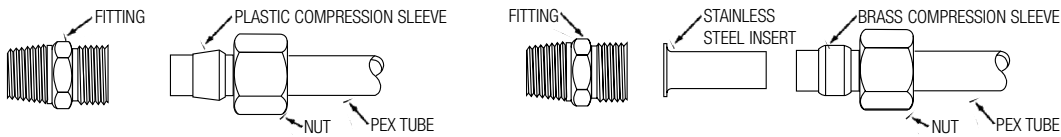
PART NO.	UPC	DESCRIPTION	FINISH	QTY	LBS
<b>Δ CPVC Solvent Weld x Compression - Straight</b>					
PR14X C	026613138640	1/2" Nom CPVC x 3/8" OD Comp	Chrome	60	16.5
<b>PR14X C1</b>	026613136011	1/2" Nom CPVC x 3/8" OD Comp	Chrome	24	6.8
PR14X R	026613142388	1/2" Nom CPVC x 3/8" OD Comp	Rough	60	16.5
PR34X C	026613153629	1/2" Nom CPVC x 1/2" OD Comp	Chrome	60	17.8
PR34X R	026613153636	1/2" Nom CPVC x 1/2" OD Comp	Rough	60	17.8



## PEX Tube Compression Connection

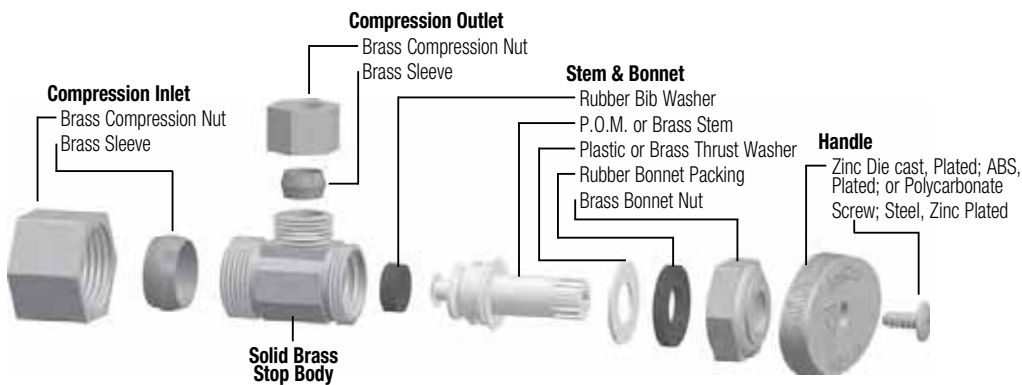
For PEX Tube 3/8" OD and smaller, use plastic compression sleeve.

For PEX Tube larger than 3/8" OD, use brass compression sleeve with stainless steel tube insert.











**NOTE:** All 3/8" OD PEX Risers come with plastic compression sleeve.  
All 1/2" OD PEX Risers come with stainless steel tube insert.

## Anatomy Of A BrassCraft Supply Stop



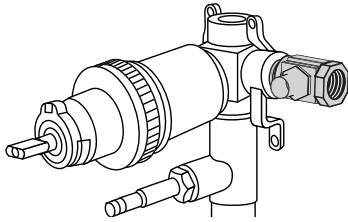
## Variations

See page 112 for Available Variations

			
Lock Shield Loose Key Add Prefix "S"	Lock Shield Screwdriver Slot Add Prefix "SS"	Stuffing Box Add Prefix "T"	Sweat and loose key stops are furnished with brass stems. All others are furnished with corrosion resistant P.O.M. stems. Brass Stem (Non-Sweat) Add Suffix "Z" e.g., OCR19Z C
			
Stuffing Box Lock Shield Loose Key Add Prefix "ST"	Stuffing Box Lock Shield Screwdriver Slot Add Prefix "SST"	Cross Handle Add Prefix "X"	Round (Brass) Handle Add Prefix "XX"

Δ CPVC pre-torqued fittings eliminate the need for tightening on the job.

## Stops For Diverters And Shower Mixing Valves



- Direct connection to water lines saves cost of elbows and nipples.
- Shuts off water to shower without shutting down water supply.
- A convenience for all shower repairs.



PART NO.	UPC	DESCRIPTION	FINISH	QTY	LBS
----------	-----	-------------	--------	-----	-----

### Integral Shut-Off - With Lock Shield Screwdriver Slot - Straight



SSR83 R	026613031019	1/2" FIP x 1/2" MIP	Rough	60	20.8
SSR83AA C	026613103785	1/2" FIP (With check) x 1/2" MIP	Chrome	60	20.9
SSR83AA R	026613103778	1/2" FIP (With check) x 1/2" MIP	Rough	60	20.9



SSR84 C	026613031033	1/2" Nom Sweat Female x 1/2" MIP	Chrome	60	19.7
SSR84 R	026613031040	1/2" Nom Sweat Female x 1/2" MIP	Rough	60	19.7



SSR44 R	026613030975	1/2" Nom Sweat Female x 1/2" Nom Sweat Female	Rough	60	16.4
---------	--------------	---	-------	----	------



SSR44M C	026613030937	1/2" Nom Sweat Female x 1/2" Nom Sweat Male	Chrome	60	16.4
SSR44M R	026613030944	1/2" Nom Sweat Female x 1/2" Nom Sweat Male	Rough	60	16.4

### Integral Shut-Off - Less Lock Shield Screwdriver Slot - Straight



DRS83 C	026613025483	1/2" FIP x 1/2" MIP	Chrome	60	18.9
DRS83 R	026613025490	1/2" FIP x 1/2" MIP	Rough	60	18.8
<b>DRS83 R1</b>	026613097213	1/2" FIP x 1/2" MIP	Rough	24	7.7



DRS84 C	026613025513	1/2" Nom Sweat Female x 1/2" MIP	Chrome	60	17.7
DRS84 R	026613025520	1/2" Nom Sweat Female x 1/2" MIP	Rough	60	17.7
<b>DRS84 R1</b>	026613100784	1/2" Nom Sweat Female x 1/2" MIP	Rough	24	7.3

PART NO.	UPC	DESCRIPTION	FINISH	QTY	LBS
<b>Integral Shut-Off - Less Lock Shield Screwdriver Slot - Straight (cont.)</b>					
DRS44 R	026613025469	1/2" Nom Sweat Female x 1/2" Nom Sweat Female	Rough	60	14.4
DRS44M C	026613025421	1/2" Nom Sweat Female x 1/2" Nom Sweat Male	Chrome	60	14.5
DRS44M R	026613025438	1/2" Nom Sweat Female x 1/2" Nom Sweat Male	Rough	60	14.5
<b>DRS44M R1</b>	026613964034	1/2" Nom Sweat Female x 1/2" Nom Sweat Male	Rough	24	5.8



## Part Numbering System

Example:



<b>K</b>	<b>T</b>	<b>C</b>	<b>R</b>	<b>1</b>	<b>9</b>	<b>0</b>	<b>1</b>	<b>L</b>	<b>R</b>	<b>X</b>	<b>C</b>	<b>1</b>	
<b>Stop Style</b>		<b>Stop Type</b>		<b>Riser Outlet</b>	<b>Inlet</b>	<b>Dual Outlet</b>	<b>Side Outlet</b>		<b>Option</b>		<b>Compliant</b>	<b>Finish</b>	<b>Packaging</b>
1/4 Turn Ball Stop		Compression Inlet		3/8" OD (1/4" Nom)	1/2" Nom Copper, Angle		3/8" OD (1/4" Nom)		Outlet Either Side			Chrome	Individually Boxed

**K T**  
Stop Style

**S**  
Handle (Modifier)

**T**  
Stem (Modifier)

**C R**  
Stop Type

**1**  
Outlet

**9**  
Inlet

**0**  
Dual Outlet

**1**  
Side Outlet

**L R**  
Option (Modifier)

**X**  
Compliant

**C**  
Finish

**1**  
Packaging

### Stop Style

KT	1/4 Turn Ball Stop
MT	Multi-Turn

### Handle\*

\*Available w/Multi-Turn Only

S	Loose Key, Lock Shield	X	Cross
SS	Screw Driver Slot, Lock Shield	XX	Round

### Stem\*

\*Available w/Multi-Turn Only

T	Stuffing Box
---	--------------

### Stop Type

CR	Compression Inlet	R	Iron Pipe or Sweat Inlet
FR	Flare Outlet	BRPX	Barbed PEX Inlet
PR	CPVC Inlet		

### Riser Outlet

1	3/8" OD (1/4" Nom)	3	1/2" OD (3/8" Nom)
2	7/16" OD		

### Inlet

7	1/2" Female Iron Pipe, Angle	9	1/2" Nominal Copper, Angle
---	------------------------------	---	----------------------------

### Dual Outlet

0	Dual Outlet
---	-------------

### Side Outlet

0	1/4" OD	2	7/16" OD
1	3/8" OD (1/4" Nom)	3	1/2" OD (3/8" Nom)

### Option

L	Left Side Outlet
LR	Outlet Either Side
R	Right Side Outlet

#### For Dual Shut-Offs:

DV	Dual Shut-Off
DVS	Dual Shut-Off, Straight

### Compliant

X	100% Compliant
---	----------------

### Finish

C	Chrome Plated, Trayed	R	Rough/Unplated, Trayed
---	-----------------------	---	------------------------

### Packaging

1	Individually Bagged (These stops are highlighted in <b>bold print</b> in this catalog). For Dual Outlet/Dual Shut Off "R1" means bag.
---	---



# DUAL OUTLET SUPPLY STOPS

PART NO.	UPC	DESCRIPTION	FINISH	QTY	LBS
----------	-----	-------------	--------	-----	-----

## Compression x Compression x Compression

KTCR1901X R1	026613150116	1/2" Nom Comp x 3/8" OD Comp x 3/8" OD Comp	Rough	20	8.6
CR1900LX C1	026613138220	1/2" Nom Comp x 3/8" OD Comp x 1/4" OD Comp	Chrome	20	5.5
CR1900LX R1	026613138237	1/2" Nom Comp x 3/8" OD Comp x 1/4" OD Comp	Rough	20	5.9
CR1900RX C1	026613136882	1/2" Nom Comp x 3/8" OD Comp x 1/4" OD Comp	Chrome	20	5.5
CR1900RX R1	026613135854	1/2" Nom Comp x 3/8" OD Comp x 1/4" OD Comp	Rough	20	5.9
CR1901LRX C1	026613137872	1/2" Nom Comp x 3/8" OD Comp x 3/8" OD Comp	Chrome	20	5.6
CR1901LRX R1	026613135779	1/2" Nom Comp x 3/8" OD Comp x 3/8" OD Comp	Rough	20	6.0
CR2900RX C1	026613138244	1/2" Nom Comp x 7/16" OD Comp x 1/4" OD Comp	Chrome	20	6.5
CR2900RX R1	026613138251	1/2" Nom Comp x 7/16" OD Comp x 1/4" OD Comp	Rough	20	6.9
CR2901RX C1	026613138268	1/2" Nom Comp x 7/16" OD Comp x 3/8" OD Comp	Chrome	20	6.5
CR2901RX R1	026613135915	1/2" Nom Comp x 7/16" OD Comp x 3/8" OD Comp	Rough	20	6.8



CR3900RX R1	026613149233	1/2" Nom Comp x 1/2" OD Comp x 1/4" OD Comp	Rough	20	7.2
CR3901LX C1	026613138404	1/2" Nom Comp x 1/2" OD Comp x 3/8" OD Comp	Chrome	20	6.9
CR3901LX R1	026613135960	1/2" Nom Comp x 1/2" OD Comp x 3/8" OD Comp	Rough	20	7.3
CR3901RX C1	026613137858	1/2" Nom Comp x 1/2" OD Comp x 3/8" OD Comp	Chrome	20	6.8
CR3901RX R1	026613137865	1/2" Nom Comp x 1/2" OD Comp x 3/8" OD Comp	Rough	20	7.2
CR3903LRX C1	026613138275	1/2" Nom Comp x 1/2" OD Comp x 1/2" OD Comp	Chrome	20	7.3
CR3903LRX R1	026613138282	1/2" Nom Comp x 1/2" OD Comp x 1/2" OD Comp	Rough	20	7.7

## FIP x Compression x Compression

R1501LRX C1	026613151427	3/8" FIP x 3/8" OD Comp x 3/8" OD Comp	Chrome	20	4.9
R1700RX C1	026613138459	1/2" FIP x 3/8" OD Comp x 1/4" OD Comp	Chrome	20	5.8
R1700RX R1	026613135847	1/2" FIP x 3/8" OD Comp x 1/4" OD Comp	Rough	20	6.1
R1701LRX C1	026613137001	1/2" FIP x 3/8" OD Comp x 3/8" OD Comp	Chrome	20	5.7
R1701LRX R1	026613135731	1/2" FIP x 3/8" OD Comp x 3/8" OD Comp	Rough	20	6.1
R2700RX R1	026613151526	1/2" FIP x 7/16" OD Comp x 1/4" OD Comp	Rough	20	6.3
R3700RX R1	026613135816	1/2" FIP x 1/2" OD Comp x 1/4" OD Comp	Rough	20	6.4
R3701RX C1	026613138800	1/2" FIP x 1/2" OD Comp & 3/8" OD Comp	Chrome	20	6.3
R3701RX R1	026613135823	1/2" FIP x 1/2" OD Comp & 3/8" OD Comp	Rough	20	6.7
R3703LRX C1	026613151663	1/2" FIP x 1/2" OD Comp x 1/2" OD Comp	Chrome	20	6.7
R3703LRX R1	026613151670	1/2" FIP x 1/2" OD Comp x 1/2" OD Comp	Rough	20	7.1



■ Denotes best selling Dual Outlet Supply Stops.



PART NO.	UPC	DESCRIPTION	FINISH	QTY	LBS
----------	-----	-------------	--------	-----	-----

### Sweat x Compression x Compression

R1901LRX C1	026613138619	1/2" Nom Sweat x 3/8" OD Comp x 3/8" OD Comp	Chrome	20	6.9
R1901LRX R1	026613142517	1/2" Nom Sweat x 3/8" OD Comp x 3/8" OD Comp	Rough	20	6.8



### †Crimp PEX Barb x Compression x Compression

BRPX1901LRX R1	026613137728	1/2" Nom Barb x 3/8" OD Comp x 3/8" OD Comp	Rough	20	5.1
----------------	--------------	---	-------	----	-----



### ΔCPVC Solvent Weld x Compression x Compression

PR1901LRX R1	026613138695	1/2" Nom CPVC x 3/8" OD Comp x 3/8" OD Comp	Rough	20	6.2
--------------	--------------	---	-------	----	-----



### FIP x Flare x Flare

FR1901LRX C1	026613152950	1/2" FIP x 3/8" OD Flare x 3/8" OD Flare	Chrome	20	5.9
FR1701LRX R1	026613137018	1/2" FIP x 3/8" OD Flare x 3/8" OD Flare	Rough	20	5.9

■ Denotes best selling Dual Outlet, Dual Shut-Off Supply Stops.

† For Brass "Crimp PEX" fittings and stops ASTM F1807

Δ CPVC pre-torqued fittings eliminate the need for tightening on the job.

## Dual Outlet, Dual Shut-Off Supply Stops



Unlike a standard dual outlet stop, BrassCraft's dual outlet, dual shut-off 1/4 turn ball stop allows you to turn off the water to one source while working on another. For instance, you can still run hot water out of your faucet and turn off the water to your instant hot water dispenser. This means you don't have to install two separate stops. This added convenience is ideal for:

- Dishwashers
- Ice Makers
- Water Filters
- Instant Hot Water Dispensers



PART NO.	UPC	DESCRIPTION	FINISH	QTY	LBS
<b>Compression x Compression x Compression - Angle</b>					
KTCR1900DVX R	026613137988	1/2" Nom Comp x 3/8" OD Comp x 1/4" OD Comp	Rough	30	13.1
<b>KTCR1900DVX R1</b>	026613142876	1/2" Nom Comp x 3/8" OD Comp x 1/4" OD Comp	Rough	20	8.3
KTCR1901DVX R	026613137995	1/2" Nom Comp x 3/8" OD Comp x 3/8" OD Comp	Rough	30	12.9
<b>KTCR1901DVX R1</b>	026613142869	1/2" Nom Comp x 3/8" OD Comp x 3/8" OD Comp	Rough	20	8.2



### Compression x Compression x Compression - Straight

KTCR1901DVSX R	026613150123	1/2" Nom Comp x 3/8" OD Comp x 3/8" OD Comp	Rough	30	13.0
----------------	--------------	---	-------	----	------



**1/4 TURN BALL SUPPLY STOPS - DUAL OUTLET, DUAL SHUT-OFF**

# BrassCraft® DUAL OUTLET, DUAL SHUT-OFF SUPPLY STOPS



PART NO.	UPC	DESCRIPTION	FINISH	QTY	LBS
<b>Compression x Compression x Compression - Angle</b>					

CR1900DVX C	026613137384	1/2" Nom Comp x 3/8" OD Comp x 1/4" OD Comp	Chrome	30	11.4
CR1900DVX R	026613137377	1/2" Nom Comp x 3/8" OD Comp x 1/4" OD Comp	Rough	30	12.5



## Compression x Compression x Compression - Straight

CR1900DVX R	026613137971	1/2" Nom Comp x 3/8" OD Comp x 1/4" OD Comp	Rough	30	12.5
-------------	--------------	---	-------	----	------



## Compression x Compression x Compression - Angle

CR1901DVX C	026613137421	1/2" Nom Comp x 3/8" OD Comp x 3/8" OD Comp	Chrome	30	11.7
CR1901DVX R	026613137414	1/2" Nom Comp x 3/8" OD Comp x 3/8" OD Comp	Rough	30	12.8



## Compression x Compression x Compression - Straight

CR1901DVX C	026613137391	1/2" Nom Comp x 3/8" OD Comp x 3/8" OD Comp	Chrome	30	11.6
CR1901DVX R	026613137407	1/2" Nom Comp x 3/8" OD Comp x 3/8" OD Comp	Rough	30	12.7



## Compression x Compression x Compression - Angle

CR1903DVX R	026613142319	1/2" Nom Comp x 3/8" OD Comp x 1/2" OD Comp	Rough	30	12.7
-------------	--------------	---	-------	----	------



## △CPVC Solvent Weld x Compression x Compression - Angle

PR1901DVX R	026613142340	1/2" Nom CPVC x 3/8" OD Comp x 3/8" OD Comp	Rough	30	13.1
-------------	--------------	---	-------	----	------



## FIP x Compression x Compression - Angle

R1700DVX R	026613138015	1/2" FIP x 3/8" OD Comp x 1/4" OD Comp	Rough	30	12.1
R1701DVX R	026613138473	1/2" FIP x 3/8" OD Comp x 3/8" OD Comp	Rough	30	12.3

△ CPVC pre-torqued fittings eliminate the need for tightening on the job.

# Brass Needle & Icemaker/Humidifier Valves

## Product Applications

- For use on instrumentation, hydraulic and pneumatic systems.
- Designed for automotive or industrial use. Not intended for natural gas, LPG, nuclear or aircraft applications.

## Product Advantages

- BrassCraft® Needle Valves have metal-to-metal seats with fine thread adjustment.
- Provide positive sealing and flow adjustment up to the capacity of the valve.
- Backed by BrassCraft Mfg.'s 65 plus year history and reputation for quality and service.

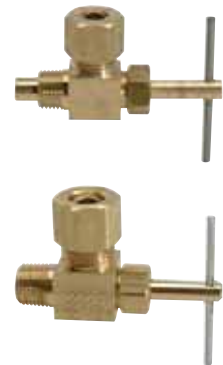
## Assembly Instructions

- Install with pressure against seat.
- Inspection of straight valve shows one opening is higher than the others.
- Pressure should always be directed against the seat in angle valves, not the stem threads.

PART NO.	UPC	DESCRIPTION	FINISH	QTY	LBS
----------	-----	-------------	--------	-----	-----

### Compression x MIP Needle Valves

NEV3-C1X	026613150215	1/4" OD Comp x 1/8" MIP With Extension, Angle	Rough	300	22.9
NV104-4-2X	026613150222	1/4" OD Comp x 1/8" MIP, Angle	Rough	450	30.9
NV106-4-2X	026613150277	1/4" OD Comp x 1/8" MIP, Straight	Rough	-	30.0
NV104-5-2X	026613150239	5/16" OD Comp x 1/8" MIP, Angle	Rough	200	21.0



### Compression Needle Valves

NV105-4X	026613137490	1/4" OD Comp x 1/4" OD Comp	Rough	300	27.3
NV105-6X	026613137483	3/8" OD Comp x 3/8" OD Comp	Rough	225	28.8



### Humidifier Valves - Ice Maker Kit

NV104-EE1X K1	026613153223	3/8" OD Comp x 3/8" OD Comp With 1/4" OD Comp	Rough	100	17.8
---------------	--------------	---	-------	-----	------





PART NO.	UPC	DESCRIPTION	FINISH	QTY	LBS
<b>Self-Piercing Needle Valve Kits</b>					
PNEV-NCVX	026613137476	For 3/8" to 1" OD Tube w/1/4" OD Comp , Inc. Saddle Clamp With Self-Locking Nuts, Brass Sleeve & Insert, & Delrin Sleeve	Rough	75	18.0
BC96X	026613148977	For 3/8" to 1" OD Tube w/1/4" OD Comp Incl. Saddle Clamp With Self-Locking Nuts, 1/4" OD x 25' Polyethylene Tube, Brass Sleeve & Inserts & Sleeve, & 1/4" OD Union	Rough	5	4.0
BC97X	026613148984	For 3/8" to 1" OD Tube w/1/4" OD Comp Incl. Saddle Clamp With Self-Locking Nuts, 1/4" OD x 25' Copper Tube, Brass Sleeve & 1/4" OD Union	Rough	5	10.1

# Part Numbering System

Example:



<b>1</b>	-	<b>1</b> <b>2</b>	<b>A</b>	<b>C</b>	<b>2</b>
<b>Inlet</b>		<b>Length</b>	<b>Outlet Style</b>	<b>Finish</b>	<b>Packaging</b>
3/8" OD		12"	Faucet One Piece w/Insert	Chrome Plated, Bulk Packed	1 Pair, Boxed



## Riser Style

Copper Riser (No Prefix)

**P** PEX Riser



## Riser Type

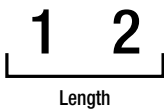
**F** Flared Outlet



## Inlet (Stop or fitting outlet size)

**1** 3/8" OD

**3** 1/2" OD



## Length

<b>12</b>	12"
<b>15</b>	15"
<b>20</b>	20"
<b>30</b>	30"
<b>36</b>	36"

### For Flare (Copper Risers):

<b>11</b>	11"
<b>17</b>	17"
<b>20</b>	20"

### For PEX Risers:

<b>12</b>	12"
<b>15</b>	15"
<b>20</b>	20"
<b>30</b>	30"
<b>36</b>	36"



## Outlet Style

<b>A</b>	Faucet - One Piece w/Insert
<b>C</b>	Faucet - Rubber Washer w/Brass Ring
<b>K</b>	Faucet - 1/2" MIP (Tapped 1/4" FIP)
<b>KA</b>	Faucet - Sweat
<b>KC</b>	Faucet - Compression
<b>DE</b>	Toilet - w/Heavy Duty Rubber Nosepiece
<b>DL</b>	Toilet - w/Gasket Nosepiece
<b>E</b>	Toilet - Rubber Washer w/Brass Ring

### For Flare (Copper Risers):

<b>C</b>	Faucet - Rubber Washer w/Brass Ring
<b>E</b>	Toilet - Rubber Washer w/Brass Ring

### For PEX Risers:

<b>A</b>	Faucet - One Piece w/Insert
<b>DL</b>	Toilet - w/Gasket Nosepiece



## Option (For one-piece copper risers)

**S** Solid Brass



## Finish

**C** Chrome Plated, Bulk Packed

**R** Rough/Unplated, Bulk Packed












## Packaging

<b>1</b>	Individually Boxed (Toilet Risers)
<b>2</b>	1 Pair, Boxed (Faucet Risers)

### For PEX Risers (Bulk Packed):

<b>K1</b>	Individually Boxed (Toilet Risers)
<b>K2</b>	1 Pair, Boxed (Faucet Risers)

## Supply Risers: Faucet

 <p><b>A</b></p>	 <p><b>C</b></p>	 <p><b>CS</b></p>	 <p><b>KC</b></p>	
<p><b>Formed Metal Nosepiece w/Insert</b> Suffix "A" Example: 1-12A C</p>	<p><b>Rubber Washer w/Brass Friction Ring</b> Suffix "C" Example: F1-11C C</p>	<p><b>Reinforced, Formed Nosepiece, One-Piece Construction</b> Suffix "CS" Example: CS600 R See Fig. 1</p>	<p><b>Compression Nut and Sleeve</b> Suffix "KC" Example: 1-12KC C See Fig. 2</p>	
 <p><b>K</b></p>	 <p><b>KA</b></p>	<ul style="list-style-type: none"> <li>• Pre-assembled with brass coupling nut for metal-to-metal seat</li> <li>• Eliminates faucet tailpieces and IP x sweat adaptors</li> <li>• Direct connection from faucet to service line</li> <li>• Deep well, 1/2" Nom copper solder cup</li> <li>• For in-line shut-off, use with compression valve</li> </ul>		
<p><b>1/2" MIP Tapped 1/4" FIP</b> Suffix "K" Example: 1-12K C</p>	<p><b>Sweat</b> Suffix "KA" Example: 1-12KA C See Fig. 3</p>	<p>Fig. 1</p>  <p><b>CS</b></p>	<p>Fig. 2</p>  <p><b>KC</b></p>	<p>Fig. 3</p>  <p><b>KA</b></p>

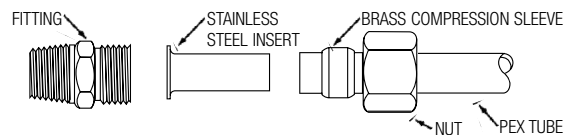
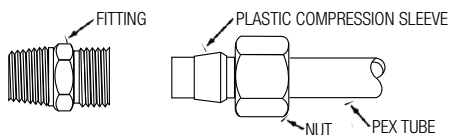
## Supply Risers: Toilet

 <p><b>DL</b></p>	 <p><b>DE</b></p>	 <p><b>E</b></p>
<p><b>Formed Nosepiece w/Insert Gasket</b> Suffix "DL" Example: 1-12DL C</p>	<p><b>Heavy Nosepiece w/Rubber Washer</b> Suffix "DE" Example: 1-12DE C</p>	<p><b>Rubber Washer w/Brass Friction Ring</b> Suffix "E" Example: F1-11E C</p>

## PEX Tube Compression Connection

For PEX Tube 3/8" OD and smaller, use plastic compression sleeve.

For PEX Tube larger than 3/8" OD, use brass compression sleeve with stainless steel tube insert.



**NOTE:** All 3/8" OD PEX Risers come with plastic compression sleeve.  
All 1/2" OD PEX Risers come with stainless steel tube insert.

*Boxed Risers* † Denotes riser is available boxed. Contact your local rep.



PART NO.	UPC	DESCRIPTION	LENGTH	QTY	LBS
<b>Faucet - 1-Piece With Insert</b>					
1-12A C †	026613002576	3/8" OD	12"	100	11.2
1-12A R †	026613042343	3/8" OD	12"	100	11.2
1-15A C †	026613042688	3/8" OD	15"	100	14.1
1-20A C †	026613042992	3/8" OD	20"	100	18.9
1-20A R †	026613043036	3/8" OD	20"	100	18.9
1-30A C †	026613043302	3/8" OD	30"	50	14.5
1-30A R †	026613043340	3/8" OD	30"	50	14.5
1-36A C †	026613043425	3/8" OD	36"	50	17.3
1-36A R †	026613043456	3/8" OD	36"	50	17.3
3-12A C †	026613043715	1/2" OD	12"	50	8.2
3-12A R †	026613043753	1/2" OD	12"	50	8.2
3-15A C	026613043951	1/2" OD	15"	50	10.3
3-20A C †	026613044026	1/2" OD	20"	50	13.6
3-20A R †	026613044057	1/2" OD	20"	50	13.6
3-30A C †	026613044163	1/2" OD	30"	25	10.8
3-30A R †	026613044187	1/2" OD	30"	25	10.8
3-36A C †	026613044217	1/2" OD	36"	25	13.0



<b>Faucet - Flared With Rubber Washer &amp; Brass Ring</b>					
F1-11C C	026613044491	3/8" OD	11"	100	10.7
F1-17C C	026613044620	3/8" OD	17"	100	16.1
F1-20C C	026613044675	3/8" OD	20"	100	19.6
F1-20C R	026613044682	3/8" OD	20"	100	19.6



<b>Faucet - Compression With KC Nosepiece</b>					
1-12KC C †	026613003795	3/8" OD	12"	50	7.1
1-12KC R †	026613042572	3/8" OD	12"	50	7.1
1-15KC C	026613042787	3/8" OD	15"	50	8.9
1-15KC R	026613042794	3/8" OD	15"	50	8.9
1-20KC C †	026613003801	3/8" OD	20"	50	11.2
1-20KC R †	026613043241	3/8" OD	20"	50	11.2
1-30KC C	026613043395	3/8" OD	30"	50	16.0
3-12KC C †	026613043906	1/2" OD	12"	50	10.1



<b>Faucet - 1/2" MIP With 1/4" FIP Tapped</b>					
1-12K C	026613042596	3/8" OD	12"	50	9.3
1-20K C	026613043265	3/8" OD	20"	50	13.1



† Denotes faucet risers are available boxed, 1 pair.  
NOTE: Actual riser length to connect less 1/2"



PART NO.	UPC	DESCRIPTION	LENGTH	QTY	LBS
<b>Faucet - Sweat</b>					
1-12KA C †	026613042510	3/8" OD	12"	50	5.2
1-12KA R †	026613042534	3/8" OD	12"	50	5.2
1-15KA R	026613042770	3/8" OD	15"	50	7.1
1-20KA C	026613043197	3/8" OD	20"	50	9.4
1-20KA R †	026613043203	3/8" OD	20"	50	9.4



PART NO.	UPC	DESCRIPTION	LENGTH	QTY	LBS
<b>Faucet - Sweat 1-Piece With Shank Nut</b>					
CS600 R †	026613002675	1/2" OD	12"	50	8.7



PART NO.	UPC	DESCRIPTION	LENGTH	QTY	LBS
<b>Faucet - PEX</b>					
P1-12A	026613044859	3/8" OD	12"	100	4.4
P1-15A	026613044897	3/8" OD	15"	100	5.0
P1-20A	026613044910	3/8" OD	20"	100	5.0
P1-30A	026613044958	3/8" OD	30"	50	4.2
P1-36A	026613044965	3/8" OD	36"	50	5.1



PART NO.	UPC	DESCRIPTION	LENGTH	QTY	LBS
<b>Toilet - PEX</b>					
P1-12DL	026613044873	3/8" OD	12"	100	3.6
P1-15DL	026613044903	3/8" OD	15"	100	5.0
P1-20DL	026613044934	3/8" OD	20"	100	5.6



PART NO.	UPC	DESCRIPTION	LENGTH	QTY	LBS
<b>Toilet - With Gasket Nosepiece</b>					
1-12DL C	026613002613	3/8" OD	12"	100	11.3
1-15DL C	026613042756	3/8" OD	15"	100	14.8
1-20DL C	026613043135	3/8" OD	20"	50	9.9
1-30DL C	026613043371	3/8" OD	30"	50	13.8
3-12DL C	026613043821	1/2" OD	12"	50	7.3
3-20DL C	026613044088	1/2" OD	20"	50	14.5



PART NO.	UPC	DESCRIPTION	LENGTH	QTY	LBS
<b>Toilet - With Heavy Duty Rubber Nosepiece</b>					
1-12DE C	026613042398	3/8" OD	12"	50	5.9
1-20DE C	026613043081	3/8" OD	20"	50	10.1
3-12DE C	026613043791	1/2" OD	12"	50	7.4



PART NO.	UPC	DESCRIPTION	LENGTH	QTY	LBS
<b>Toilet - Flared With Rubber Washer &amp; Brass Ring</b>					
F1-11E C	026613044521	3/8" OD	11"	100	11.7

† Denotes faucet risers are available boxed, 1 pair.  
NOTE: Actual riser length to connect less 1/2"

# Speedi Plumb® PLUS Connector

**BrassCraft® Speedi Plumb® PLUS connectors offer superior performance, with advanced construction and appeal.**

The BrassCraft Speedi Plumb® PLUS connector is the world's most advanced flexible water connector. Designed for longer life under the harshest conditions, the BrassCraft Speedi Plumb® PLUS connector features tough polymer-coated fibers tightly braided around a strong PVC inner hose. The result is a corrosion resistant, highly flexible, extremely reliable water supply connector for use with faucets, toilets, dishwashers, washing machines, water heaters, icemakers and humidifiers.

**Long Wing Nuts for Quick & Sure Connections.**

*Hand-tightened wing nuts offer quicker connections to faucets and toilets, while the long nut ensures dependable thread engagement.*

**Cone Washer for Universal Fit and Sure Seal.**

*The cone washer's large sealing surface ensures a secure connection and a universal fit.*

## BrassCraft Speedi Plumb® PLUS Connectors Resist Corrosion.

The braided polymer-coated fibers in BrassCraft Speedi Plumb® PLUS connectors are specially engineered to resist corrosion caused by chemicals found in common household tile and glass cleaners including:

- Ammonia
- Phosphoric Acid
- Sodium Hypochlorite
- Hydrogen Chloride
- Muriatic Acid
- Dimethyl Benzyl Ammonium Chloride



The BrassCraft Speedi Plumb® PLUS engineered polymer-braided jacket also resists corrosion from solder flux from installation and repair, and completely protects the inner tube, even in a harsh chemical environment.

## The BrassCraft Manufacturing Commitment to Compliance. ✓

As an industry leader, we are continuously developing solutions for the ever-changing marketplace. In 2009, we were one of the first manufacturers to introduce no-lead\* products compliant with California's low-lead legislation. As this legislation expands to a nationwide implementation in January 2014, we continue our commitment to provide a full range of high quality compliant products, including Speedi Plumb® connectors.

BrassCraft Speedi Plumb® PLUS connectors are IAPMO and CSA listed to ASME A112.18.6-2009/CSA B125.6-2009, the only national standard for flexible water connectors.



\*BrassCraft Manufacturing is in compliance with the National Reduction of Lead in Drinking Water Act which became effective nationwide on January 4, 2014. This legislation changes the legal definition of "lead free" from 8% lead to a weighted average lead content of 0.25% with respect to wetted surfaces.

## THE MOST CORROSION RESISTANT CONNECTOR

### Allows for Speedier Connections.

The braided polymer-coated fibers bend freely, without kinking or crimping. Installation is easier, especially in cramped quarters.

### Patented Engineered Polymer Braid and PVC Hose Resist Leaks.

The BrassCraft Speedi Plumb® PLUS connector's exclusive, patented construction features a high tenacity, multi-filament core yarn, protected by a special polymer coating. The result is optimum corrosion resistance and durability. Inside, our tough PVC tubing resists attack by chlorine and chloramine.

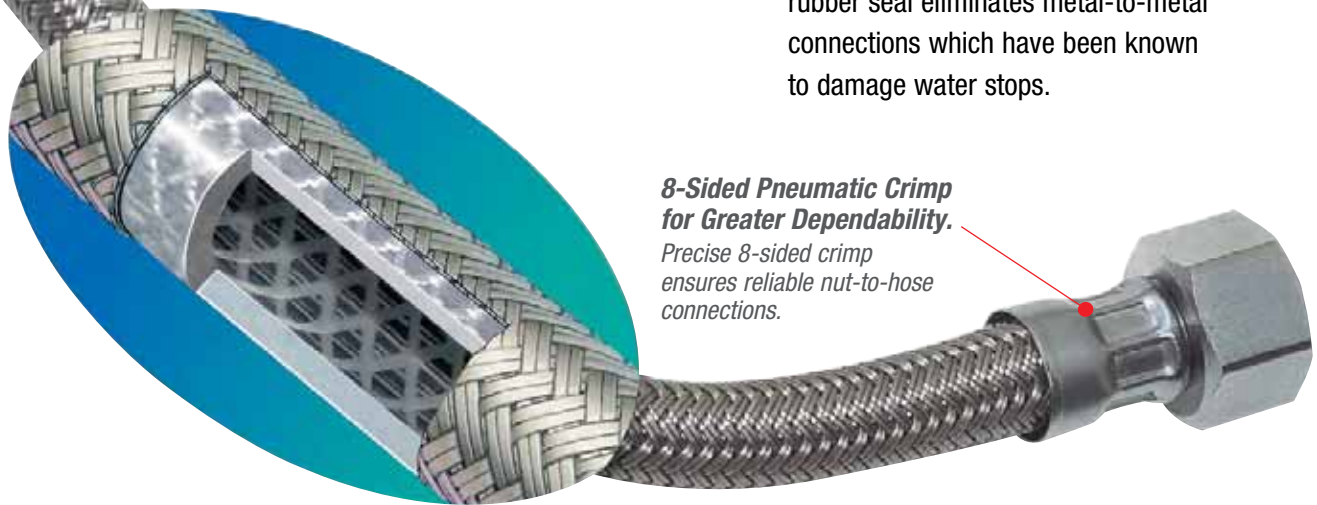


### Stop End Provides More Secure Connections.

Deep threads in the compression nut assure secure engagement, while the Elastomer rubber seal eliminates metal-to-metal connections which have been known to damage water stops.

### 8-Sided Pneumatic Crimp for Greater Dependability.

Precise 8-sided crimp ensures reliable nut-to-hose connections.



### BrassCraft Speedi Plumb® PLUS Connectors for Every Application.

Choose from our complete inventory of BrassCraft Speedi Plumb® PLUS connectors for faucet, toilet, dishwasher, washing machine, ice-maker and humidifier hook-ups, and supply kits for dishwashers and "Low Boy" toilets.

Water heater connectors are also available, featuring specially coated fibers for continuous exposure to high heat. Choose from a full line of end fitting configurations.



# BrassCraft®

## Speedi Plumb® PLUS is the World's Most Advanced Water Connector.

- Corrosion Resistant
- No Kinking or Crimping
- Superior Performance



Scan for  
more  
information



## Part Numbering System

Example:



<b>B</b>	<b>F</b>	<b>1</b>	-	<b>1 2</b>	<b>D L</b>	<b>M</b>	<b>F</b>
Style	Type	Inlet		Length	Outlet Style	Option	Packaging
Engineered Polymer Braid	Flared Inlet	3/8" OD		12"	Toilet 7/8" Ballcock, Plastic Nut	Metal Nut	Individually Flag Labeled

**B**  
Style

**Connector Style**  
B Engineered Polymer Braid

**F**  
Type

**Connector Type**  
F Flared Inlet      L Full-Flow

**1**  
Inlet

**Inlet**

0	1/4" OD	3	1/2" OD
1	3/8" OD	8	1/2" FIP
2	7/16" OD	12	3/4" Hose Thread

**1 2**  
Length

For Faucet:		For Toilet:	For Dishwasher:	For Ice Maker/Humidifier:	For Washing Machine:		
12	12"	6	6"	12	12"	48	48"
16	16"	9	9"	16	16"	60	60"
20	20"	12	12"	20	20"	72	72"
24	24"	20	20"	36	36"	84	84"
30	30"			48	48"	96	96"
36	36"			60	60"	120	120"
				72	72"		
				120	120"		

**D L**  
Outlet Style

**Outlet Style**

A	Faucet - 1/2" FIP, Metal Nut	KC	Faucet - 3/8" OD Comp
DL	Toilet - 7/8" Ballcock, Plastic Nut	IM	Ice Maker / Humidifier - 1/4" OD Comp
DW	Dishwasher	WA	Washing Machine - 3/4" Hose Thread

**M**  
Option  
(Modifier)

**Option**  
M Metal Nut

**For Dishwasher:**

1	3/4" Garden Hose Elbow
6	w/3/8" Comp x 3/8" MIP Elbow
12	w/3/8" Comp x 3/4" Garden Hose Elbow

**F**  
Packaging  
(Modifier)

**Packaging**  
F Individually Flag Labeled  
D Carded  
P Individually Bagged

PART NO.	UPC	DESCRIPTION	LENGTH	QTY	LBS
<b>Faucet - Compression</b>					
B1-12A F	026613966168	3/8" Comp x 1/2" FIP	12"	25	4.4
B1-16A F	026613966151	3/8" Comp x 1/2" FIP	16"	25	5.0
B1-20A F	026613966199	3/8" Comp x 1/2" FIP	20"	25	5.7
B1-24A F	026613118635	3/8" Comp x 1/2" FIP	24"	25	7.2
B1-30A F	026613966922	3/8" Comp x 1/2" FIP	30"	25	8.0
B1-36A F	026613966946	3/8" Comp x 1/2" FIP	36"	25	9.1
B1-48A F	026613104232	3/8" Comp x 1/2" FIP	48"	25	11.0
B1-60A F	026613104492	3/8" Comp x 1/2" FIP	60"	10	5.7
B2-12A F	026613965987	7/16" Comp x 1/2" FIP	12"	25	4.5
B2-20A F	026613966007	7/16" Comp x 1/2" FIP	20"	25	5.7
B3-12A F	026613965901	1/2" Comp x 1/2" FIP	12"	25	5.0
B3-16A F	026613965840	1/2" Comp x 1/2" FIP	16"	25	5.6
B3-20A F	026613965918	1/2" Comp x 1/2" FIP	20"	25	6.2
B3-30A F	026613966939	1/2" Comp x 1/2" FIP	30"	25	8.7



<b>Faucet - FIP</b>					
B8-12A F	026613966052	1/2" FIP x 1/2" FIP	12"	25	5.0
B8-16A F	026613966069	1/2" FIP x 1/2" FIP	16"	25	5.6
B8-20A F	026613966076	1/2" FIP x 1/2" FIP	20"	25	6.2
B8-24A F	026613104317	1/2" FIP x 1/2" FIP	24"	25	7.8
B8-30A F	026613966977	1/2" FIP x 1/2" FIP	30"	25	8.8
B8-36A F	026613966984	1/2" FIP x 1/2" FIP	36"	25	9.7



<b>Faucet - Flare</b>					
BF1-12A F	026613966649	3/8" Flare x 1/2" FIP	12"	25	4.3
BF1-16A F	026613966663	3/8" Flare x 1/2" FIP	16"	25	4.9
BF1-20A F	026613966687	3/8" Flare x 1/2" FIP	20"	25	5.5
BF3-20A F	026613966724	1/2" Flare x 1/2" FIP	20"	25	6.2



<b>Faucet - Compression x KC Nosepiece</b>					
B1-12KC F	026613966229	3/8" Comp x 3/8" Comp	12"	25	4.2
B1-16KC F	026613105017	3/8" Comp x 3/8" OD Comp	16"	25	4.9
B1-20KC F	026613966243	3/8" Comp x 3/8" OD Comp	20"	25	5.5



<b>Toilet - Compression</b>					
B1-6DL F	026613966762	3/8" Comp x 7/8" Ballcock	6"	25	2.9
B1-9DL F	026613966748	3/8" Comp x 7/8" Ballcock	9"	25	3.6
B1-12DL F	026613966311	3/8" Comp x 7/8" Ballcock	12"	25	3.9
B1-16DL F	026613966342	3/8" Comp x 7/8" Ballcock	16"	25	4.5
B1-20DL F	026613966373	3/8" Comp x 7/8" Ballcock	20"	25	5.1
B2-12DL F	026613966786	7/16" Comp x 7/8" Ballcock	12"	25	3.9
B2-20DL F	026613966571	7/16" Comp x 7/8" Ballcock	20"	25	5.2
B3-9DL F	026613966809	1/2" Comp x 7/8" Ballcock	9"	25	4.0
B3-12DL F	026613966823	1/2" Comp x 7/8" Ballcock	12"	25	4.4
B3-20DL F	026613966847	1/2" Comp x 7/8" Ballcock	20"	25	5.7





PART NO.	UPC	DESCRIPTION	LENGTH	QTY	LBS
<b>Toilet - Compression (cont.)</b>					
B1-12DLM F	026613104201	3/8" Comp x 7/8" Ballcock With Metal Nut	12"	25	5.4
B3-12DLM F	026613127842	1/2" Comp x 7/8" Ballcock With Metal Nut	12"	25	5.9



<b>Toilet - FIP</b>					
B8-9DL F	026613966878	1/2" FIP x 7/8" Ballcock	9"	25	4.0
B8-12DL F	026613966892	1/2" FIP x 7/8" Ballcock	12"	25	4.4
B8-16DL F	026613966915	1/2" FIP x 7/8" Ballcock	16"	25	5.1
B8-20DL F	026613966403	1/2" FIP x 7/8" Ballcock	20"	25	5.7



<b>Toilet - Flare</b>					
BF1-12DL F	026613966427	3/8" Flare x 7/8" Ballcock	12"	25	3.7
BF1-16DL F	026613104348	3/8" Flare x 7/8" Ballcock	16"	25	4.4
BF1-20DL F	026613966441	3/8" Flare x 7/8" Ballcock	20"	25	5.0
BF3-12DL F	026613966595	1/2" Flare x 7/8" Ballcock	12"	25	4.4



BF1-12DLM F	026613127828	3/8" Flare x 7/8" Ballcock With Metal Nut	12"	25	5.0
BF3-12DLM F	026613127835	1/2" Flare x 7/8" Ballcock With Metal Nut	12"	25	5.9



BF3-16DL F	026613104362	1/2" Flare x 7/8" Ballcock	16"	25	5.0
BF3-20DL F	026613104379	1/2" Flare x 7/8" Ballcock	20"	25	5.6



<b>Toilet - Compression For Low Boy Toilets</b>					
BL3-6DL F	026613097596	1/2" Comp x 7/8" Ballcock	6"	10	1.6
BL3-9DL F	026613097619	1/2" Comp x 7/8" Ballcock	9"	10	1.9
BL3-12DL F	026613097565	1/2" Comp x 7/8" Ballcock	12"	10	2.1



<b>Washing Machine - Female Hose Thread</b>					
BL12-48WA F	026613105499	3/4" Female Hose Thread x 3/4" Female Hose Thread	48"	25	16.1
BL12-60WA F	026613142609	3/4" Female Hose Thread x 3/4" Female Hose Thread	60"	25	18.9
BL12-72WA F	026613104829	3/4" Female Hose Thread x 3/4" Female Hose Thread	72"	25	21.6
BL12-48WA P	026613142043	3/4" Female Hose Thread x 3/4" Female Hose Thread	48"	10	7.4
BL12-60WA P	026613142050	3/4" Female Hose Thread x 3/4" Female Hose Thread	60"	10	8.5
BL12-72WA P	026613142067	3/4" Female Hose Thread x 3/4" Female Hose Thread	72"	10	9.6



<b>Dishwasher - Compression</b>					
B1-12DW F	026613104218	3/8" Comp x 3/8" Comp	12"	10	1.6
B1-16DW F	026613104263	3/8" Comp x 3/8" Comp	16"	10	1.8
B1-20DW F	026613104270	3/8" Comp x 3/8" Comp	20"	10	2.1
B1-36DW F	026613104409	3/8" Comp x 3/8" Comp	36"	10	3.1
B1-48DW F	026613104416	3/8" Comp x 3/8" Comp	48"	10	3.8
B1-60DW F	026613104423	3/8" Comp x 3/8" Comp	60"	10	4.6
B1-72DW F	026613104430	3/8" Comp x 3/8" Comp	72"	10	5.4



PART NO.	UPC	DESCRIPTION	LENGTH	QTY	LBS
----------	-----	-------------	--------	-----	-----

## Dishwasher - Compression (cont.)

B1-120DW F	026613134314	3/8" Comp x 3/8" Comp	120"	25	20.8
B1-48DW6 F	026613142425	3/8" Comp x 3/8" Comp With 3/8" MIP Elbow	48"	25	11.8
B1-60DW6 F	026613142432	3/8" Comp x 3/8" Comp With 3/8" MIP Elbow	60"	25	13.7
B1-72DW6 F	026613142449	3/8" Comp x 3/8" Comp With 3/8" MIP Elbow	72"	25	15.6
B1-48DW6 P	026613141787	3/8" Comp x 3/8" Comp With 3/8" MIP Elbow	48"	10	5.0
B1-60DW6 P	026613141794	3/8" Comp x 3/8" Comp With 3/8" MIP Elbow	60"	10	5.7
B1-72DW6 P	026613141800	3/8" Comp x 3/8" Comp With 3/8" MIP Elbow	72"	10	6.5
B3-48DW F	026613966960	1/2" Comp x 1/2" FIP	48"	10	4.3
BL3-48DW F	026613104461	1/2" Comp x 1/2" Comp	48"	10	6.1
BL3-60DW F	026613104478	1/2" Comp x 1/2" Comp	60"	10	7.0
BL3-72DW F	026613104485	1/2" Comp x 1/2" Comp	72"	10	8.0

## Dishwasher - FIP

B8-48DW F	026613104447	1/2" FIP x 1/2" FIP	48"	10	4.3
B8-60DW F	026613966953	1/2" FIP x 1/2" FIP	60"	10	5.9
B8-48DW6 P	026613141817	1/2" FIP x 3/8" Comp With 3/8" MIP Elbow	48"	10	5.2
B8-60DW6 P	026613141824	1/2" FIP x 3/8" Comp With 3/8" MIP Elbow	60"	10	5.9

## Dishwasher - Garden Hose Elbow

B1-48DW1 P	026613141152	3/8" Comp x 3/4" Garden Hose Elbow (Crimped)	48"	10	4.9
B1-60DW1 P	026613141169	3/8" Comp x 3/4" Garden Hose Elbow (Crimped)	60"	10	5.7
B1-72DW1 P	026613141176	3/8" Comp x 3/4" Garden Hose Elbow (Crimped)	72"	10	6.4
B1-48DW12 F	026613142456	3/8" Comp x 3/8" Comp With 3/4" Garden Hose Elbow	48"	25	13.3
B1-60DW12 F	026613142463	3/8" Comp x 3/8" Comp With 3/4" Garden Hose Elbow	60"	25	14.6
B1-72DW12 F	026613142470	3/8" Comp x 3/8" Comp With 3/4" Garden Hose Elbow	72"	25	16.5
B1-48DW12 P	026613141756	3/8" Comp x 3/8" Comp With 3/4" Garden Hose Elbow	48"	10	5.3
B1-60DW12 P	026613141763	3/8" Comp x 3/8" Comp With 3/4" Garden Hose Elbow	60"	10	6.1
B1-72DW12 P	026613141770	3/8" Comp x 3/8" Comp With 3/4" Garden Hose Elbow	72"	10	6.9

## Ice Maker/Humifier/Water Filter

B0-12IM F	026613104836	1/4" Comp x 1/4" Comp	12"	25	5.3
B0-60IM F	026613142531	1/4" Comp x 1/4" Comp	60"	25	9.5
B0-72IM F	026613142616	1/4" Comp x 1/4" Comp	72"	25	10.5
B0-60IM P	026613142005	1/4" Comp x 1/4" Comp	60"	10	4.0





PART NO.	UPC	DESCRIPTION	LENGTH	QTY	LBS
<b>Ice Maker/Humifier/Water Filter (cont.)</b>					
B0-72IM P	026613142012	1/4" Comp x 1/4" Comp	72"	10	4.5
B0-84IM P	026613142029	1/4" Comp x 1/4" Comp	84"	10	4.9
B0-96IM P	026613142036	1/4" Comp x 1/4" Comp	96"	10	5.3
B0-120IM P	026613141992	1/4" Comp x 1/4" Comp	120"	10	6.1

PART NO.	UPC	DESCRIPTION	LENGTH	QTY	LBS
----------	-----	-------------	--------	-----	-----

## Faucet - Compression

S1-12A F	026613008806	3/8" Comp x 1/2" FIP	12"	25	4.7
S1-16A F	026613008820	3/8" Comp x 1/2" FIP	16"	25	5.5
S1-20A F	026613008844	3/8" Comp x 1/2" FIP	20"	25	6.3
S1-30A F	026613158730	3/8" Comp x 1/2" FIP	30"	25	9.0
S1-12KC F	026613158907	3/8" Comp x 3/8" OD Comp	12"	25	4.6
S1-20KC F	026613158914	3/8" Comp x 3/8" OD Comp	20"	25	6.2



## Faucet - FIP

S8-12A F	026613008868	1/2" FIP x 1/2" FIP	12"	25	5.2
S8-16A F	026613008882	1/2" FIP x 1/2" FIP	16"	25	6.0
S8-20A F	026613008905	1/2" FIP x 1/2" FIP	20"	25	6.8
S8-30A F	026613158921	1/2" FIP x 1/2" FIP	30"	25	9.5



## Toilet - Compression

S1-9DL F	026613158976	3/8" Comp x 7/8" Ballcock	9"	25	3.7
S1-12DL F	026613009049	3/8" Comp x 7/8" Ballcock	12"	25	4.2
S1-12DLM F	026613157023	3/8" Comp x 7/8" Ballcock With Metal Nut	12"	25	5.7
S1-16DL F	026613095370	3/8" Comp x 7/8" Ballcock	16"	25	5.0
S1-20DL F	026613009063	3/8" Comp x 7/8" Ballcock	20"	25	5.8



## Toilet - FIP

S8-12DL F	026613008981	1/2" FIP" Comp x 7/8" Ballcock	12"	25	4.8
S8-16DL F	026613095363	1/2" FIP" Comp x 7/8" Ballcock	16"	25	5.6
S8-20DL F	026613158938	1/2" FIP" Comp x 7/8" Ballcock	20"	25	6.4



## Washing Machine - Female Hose Thread

SL12-48WA F	026613158891	3/4" Female Hose Thread x 3/4" Female Hose Thread	48"	25	17.2
SL12-60WA F	026613158884	3/4" Female Hose Thread x 3/4" Female Hose Thread	60"	25	20.3
SL12-72WA F	026613158723	3/4" Female Hose Thread x 3/4" Female Hose Thread	72"	25	23.3





PART NO.	UPC	DESCRIPTION	LENGTH	QTY	LBS
<b>Dishwasher - Compression</b>					
S1-12DW F	026613144665	3/8" Comp x 3/8" Comp	12"	10	1.7
S1-16DW F	026613158815	3/8" Comp x 3/8" Comp	16"	10	2.0
S1-20DW F	026613158839	3/8" Comp x 3/8" Comp	20"	10	2.3
S1-60DW F	026613158822	3/8" Comp x 3/8" Comp	60"	10	5.5



S1-48DW6 F	026613144689	3/8" Comp x 3/8" Comp With 3/8" MIP Elbow	48"	10	5.4
S1-60DW6 F	026613144672	3/8" Comp x 3/8" Comp With 3/8" MIP Elbow	60"	10	6.4
S1-72DW6 F	026613158846	3/8" Comp x 3/8" Comp With 3/8" MIP Elbow	72"	25	18.3



<b>Dishwasher - Garden Hose Elbow</b>					
S1-48DW12 F	026613158853	3/8" Comp x 3/8" Comp With 3/4" Garden Hose Elbow	48"	25	15.1
S1-60DW12 F	026613158860	3/8" Comp x 3/8" Comp With 3/4" Garden Hose Elbow	60"	25	16.8
S1-72DW12 F	026613158877	3/8" Comp x 3/8" Comp With 3/4" Garden Hose Elbow	72"	25	19.2



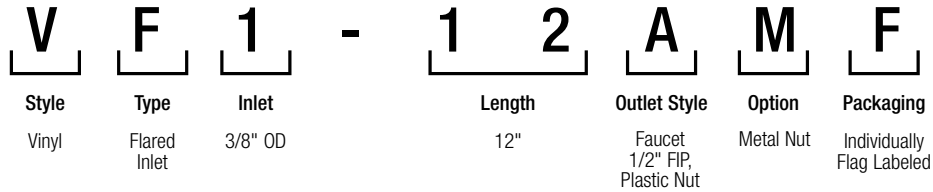
<b>Dishwasher - Compression and Garden Hose Elbow</b>					
S1-48DW612 F	026613159836	3/8" Comp x 3/8" Comp With 3/8" MIP Elbow and 3/4" Garden Hose Elbow	48"	25	17.4
S1-60DW612 F	026613159843	3/8" Comp x 3/8" Comp With 3/8" MIP Elbow and 3/4" Garden Hose Elbow	60"	25	19.1
S1-72DW612 F	026613159850	3/8" Comp x 3/8" Comp With 3/8" MIP Elbow and 3/4" Garden Hose Elbow	72"	25	21.5



<b>Ice Maker/Humifier/Water Filter</b>					
S0-12IM F	026613158761	1/4" Comp x 1/4" Comp	12"	25	6.4
S0-60IM F	026613158778	1/4" Comp x 1/4" Comp	60"	25	15.2
S0-72IM F	026613158747	1/4" Comp x 1/4" Comp	72"	25	17.5
S0-84IM F	026613158785	1/4" Comp x 1/4" Comp	84"	25	19.7
S0-96IM F	026613158792	1/4" Comp x 1/4" Comp	96"	25	21.9
S0-120IM F	026613158754	1/4" Comp x 1/4" Comp	120"	25	26.3

# Part Numbering System

Example:



Style	Type	Inlet	Length	Outlet	Option	Packaging
<b>V</b> Vinyl	<b>F</b> Flared Inlet	<b>1</b> 3/8" OD <b>3</b> 1/2" OD <b>8</b> 1/2" FIP	For Faucet: <b>12", 16", 20", 24", 30", 36"</b>  For Toilet: <b>9", 12", 16", 20"</b>  For Dishwasher: <b>120"</b>	<b>A</b> Faucet - 1/2" FIP, Plastic Nut  <b>DL</b> Toilet - 7/8" Ballcock, Plastic Nut  <b>DW</b> Dishwasher  <b>KC</b> Faucet - 3/8" OD Comp	<b>M</b> Metal Nut	<b>F</b> Individually Flag Labeled

PART NO.	UPC	DESCRIPTION	LENGTH	QTY	LBS
<b>Faucet - Compression</b>					
V1-12A F	026613046501	3/8" Comp x 1/2" FIP	12"	25	3.4
V1-16A F	026613046518	3/8" Comp x 1/2" FIP	16"	25	4.0
V1-20A F	026613046525	3/8" Comp x 1/2" FIP	20"	25	4.5
V1-30A F	026613098296	3/8" Comp x 1/2" FIP	30"	25	6.8
V1-36A F	026613046532	3/8" Comp x 1/2" FIP	36"	25	7.6
V3-16A F	026613104546	1/2" Comp x 1/2" FIP	16"	25	4.6
V3-20A F	026613052045	1/2" Comp x 1/2" FIP	20"	25	5.1
V3-36A F	026613093642	1/2" Comp x 1/2" FIP	36"	25	8.1
V1-12AM F	026613129235	3/8" Comp x 1/2" FIP With Metal Nut	12"	25	4.0
V1-16AM F	026613129242	3/8" Comp x 1/2" FIP With Metal Nut	16"	25	4.5
V1-20AM F	026613129259	3/8" Comp x 1/2" FIP With Metal Nut	20"	25	5.1
V1-30AM F	026613129266	3/8" Comp x 1/2" FIP With Metal Nut	30"	25	7.3
V1-36AM F	026613129273	3/8" Comp x 1/2" FIP With Metal Nut	36"	25	8.1
V3-12AM F	026613129303	1/2" Comp x 1/2" FIP With Metal Nut	12"	25	4.6
V3-16AM F	026613129280	1/2" Comp x 1/2" FIP With Metal Nut	16"	25	5.1
V3-20AM F	026613129297	1/2" Comp x 1/2" FIP With Metal Nut	20"	25	5.7



## Faucet - FIP

V8-20A F	026613098302	1/2" FIP x 1/2" FIP	20"	25	5.8
V8-16AM F	026613129181	1/2" FIP x 1/2" FIP With Metal Nut	16"	25	5.1





PART NO.	UPC	DESCRIPTION	LENGTH	QTY	LBS
<b>Faucet - FIP (cont.)</b>					
V8-20AM F	026613129198	1/2" FIP x 1/2" FIP With Metal Nut	20"	25	5.6
V8-36AM F	026613129204	1/2" FIP x 1/2" FIP With Metal Nut	36"	25	8.7



<b>Faucet - Flare</b>					
VF1-12A F	026613100999	3/8" Flare x 1/2" FIP	12"	25	3.3
VF1-20A F	026613047607	3/8" Flare x 1/2" FIP	20"	25	4.4
VF3-20A F	026613101019	1/2" Flare x 1/2" FIP	20"	25	5.6



VF1-12AM F	026613129211	3/8" Flare x 1/2" FIP With Metal Nut	12"	25	3.9
VF1-20AM F	026613129228	3/8" Flare x 1/2" FIP With Metal Nut	20"	25	4.9



<b>Faucet - Compression x KC Nosepiece</b>					
V1-12KC F	026613051468	3/8" Comp x 3/8" OD Comp	12"	25	3.8
V1-20KC F	026613051475	3/8" Comp x 3/8" OD Comp	20"	25	4.9



<b>Toilet - Compression</b>					
V1-9DL F	026613051451	3/8" Comp x 7/8" Ballcock	9"	25	3.1
V1-12DL F	026613046549	3/8" Comp x 7/8" Ballcock	12"	25	3.5
V1-16DL F	026613104515	3/8" Comp x 7/8" Ballcock	16"	25	4.0
V1-20DL F	026613046556	3/8" Comp x 7/8" Ballcock	20"	25	4.5
V3-12DL F	026613052052	1/2" Comp x 7/8" Ballcock	12"	25	4.1



<b>Toilet - FIP</b>					
V8-9DL F	026613104805	1/2" FIP x 7/8" Ballcock	9"	25	3.6
V8-12DL F	026613099941	1/2" FIP x 7/8" Ballcock	12"	25	4.0
V8-16DL F	026613104553	1/2" FIP x 7/8" Ballcock	16"	25	4.6



<b>Toilet - Flare</b>					
VF1-12DL F	026613100968	3/8" Flare x 7/8" Ballcock	12"	25	3.3
VF1-20DL F	026613100975	3/8" Flare x 7/8" Ballcock	20"	25	4.4
VF3-12DL F	026613100982	1/2" Flare x 7/8" Ballcock	12"	25	4.0



<b>Dishwasher - Compression</b>					
V1-120DW F	026613120089	3/8" Comp x 3/8" Comp	120"	10	8.0

PART NO.	UPC	DESCRIPTION	LENGTH	QTY	LBS
----------	-----	-------------	--------	-----	-----

## Flexible Water Connectors Display Rack

BC8500		Speedi Plumb PLUS/Speedi Plumb Display Rack 18" Wide x 12" Deep		1	6.4
BC8504		Speedi Plumb Display Rack 18" Wide x 12" Deep		1	6.0



# BrassCraft®

## Speedi Plumb® PLUS and Speedi Plumb® Flexible One-Piece Water Supplies

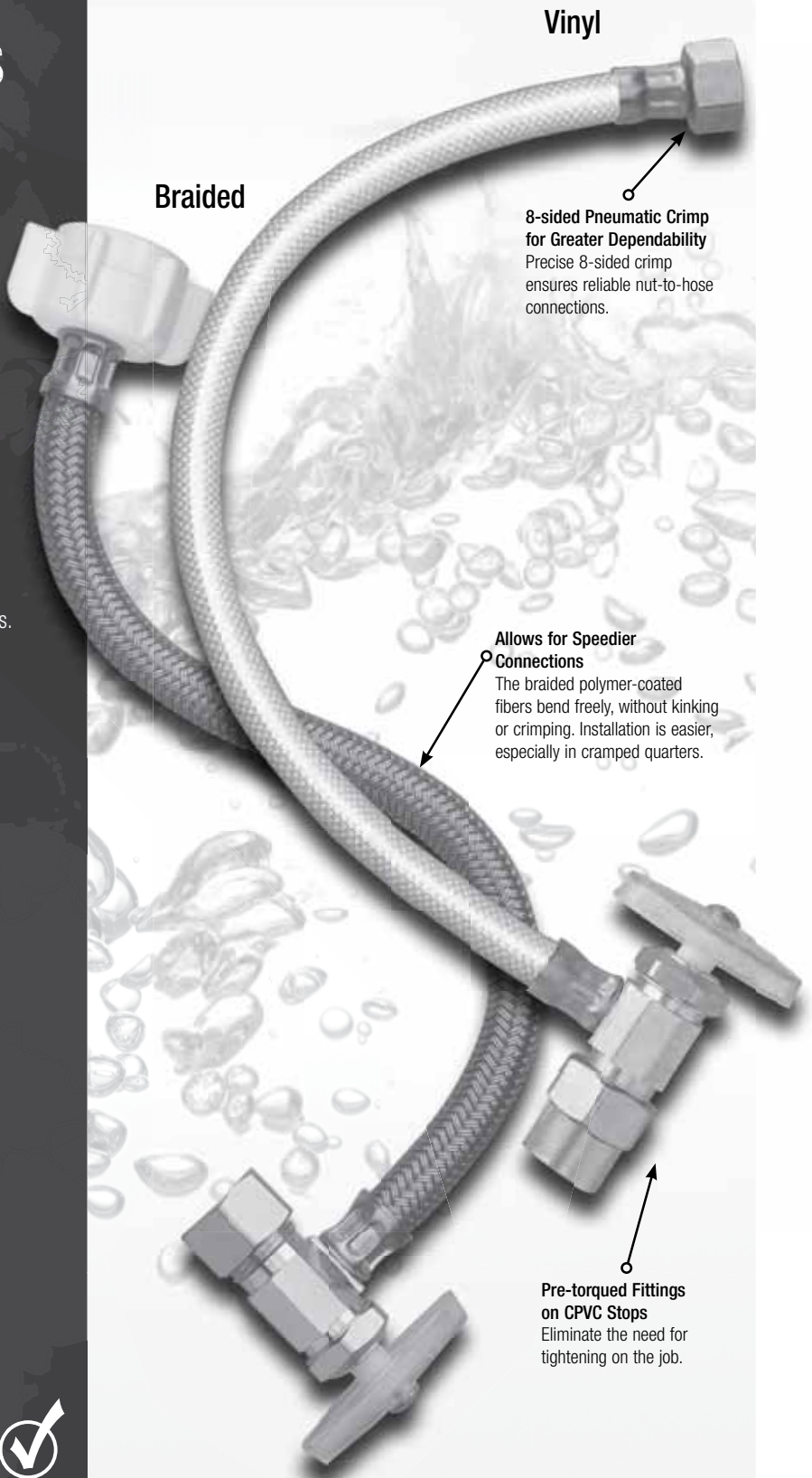
### The World's Best Water Connectors.

By combining our trusted brass supply stops with our dependable Braided and Vinyl flexible connectors, BrassCraft has created an easy-to-install, one-piece connection. The result is a quick and easy installation.

One-piece connections are available in a wide variety of options for faucet, toilet and dishwasher applications.



Scan for  
more  
information



Vinyl

Braided

**8-sided Pneumatic Crimp for Greater Dependability**  
Precise 8-sided crimp ensures reliable nut-to-hose connections.

**Allows for Speedier Connections**  
The braided polymer-coated fibers bend freely, without kinking or crimping. Installation is easier, especially in cramped quarters.

**Pre-torqued Fittings on CPVC Stops**  
Eliminate the need for tightening on the job.



# Part Numbering System

Example:



**G 2 C R 1 9** | **B** | **1** | **2** | **0** | **D** | **L** | **M** | **C**

Stop Model

Style  
Engineered  
Polymer  
Braid

Length  
12"

Speedi One

Outlet Style  
Toilet  
7/8" Ballcock,  
Plastic Nut

Option  
Metal Nut

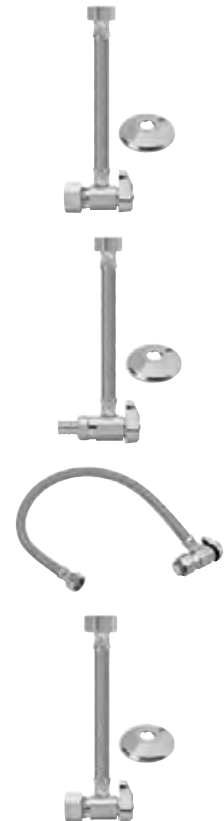
Finish  
Chrome  
Plated,  
Individually  
Bagged

Model	Style	Length	Speedi One	Outlet Style	Option	Finish
See Stop Part Numbering Pages 12 and 16	<b>B</b> Engineered Polymer Braid <b>V</b> Vinyl	Standard Lengths <b>For Faucet:</b> 16 16" 20 20" <b>For Toilet:</b> 9 9" 12 12" <b>For Dishwasher:</b> 60 60" 72 72"	<b>0</b> Speedi One	<b>A</b> Faucet - 1/2" FIP, Metal Nut <b>DL</b> Toilet - 7/8" Ballcock, Plastic Nut <b>DW</b> Dishwasher - 3/8" OD Comp <b>KC</b> Faucet - 3/8" OD Comp	<b>M</b> Metal Nut <b>For Dishwasher:</b> <b>6</b> w/3/8" Comp x 3/8" MIP Elbow	<b>C</b> Chrome plated, Individually Bagged*  * One Pair for Faucet Connectors

PART NO.	UPC	DESCRIPTION	LENGTH	QTY	LBS
----------	-----	-------------	--------	-----	-----

## Faucet - 1/4 Turn One-Piece Supply - Angle Stop - Braided Connector

G2CR19B160AX C	026613153018	1/2" Nom Comp x 1/2" FIP	16"	25	20.6
G2CR19B200AX C	026613153025	1/2" Nom Comp x 1/2" FIP	20"	25	21.9
G2CEPX19B160AX C	026613152981	1/2" Nom Cold Expansion Barb x 1/2" FIP	16"	25	21.4
G2CEPX19B200AX C	026613152998	1/2" Nom Cold Expansion Barb x 1/2" FIP	20"	25	22.6
G2PS19B200AX F	026613158525	1/2" Nom Push Connect x 1/2" FIP	20"	25	11.3
G2CR19B120DLMX C	026613155272	1/2" Nom Comp x 3/8" OD Comp	12"	50	22.6



NOTE: All faucet connections come 2pc per pack



PART NO.	UPC	DESCRIPTION	LENGTH	QTY	LBS
----------	-----	-------------	--------	-----	-----

### Faucet - 1/4 Turn One-Piece Supply - Angle Stop - Braided Connector (cont.)

G2PS19B120DLX F	026613158532	1/2" Nom Push Connect x 7/8" Ballcock	12"	25	9.4
-----------------	--------------	---------------------------------------	-----	----	-----



### Faucet - Multi-Turn One-Piece Supply - Angle Stop - Braided Connector

OCR19B160AX C	026613153315	1/2" Nom Comp x 1/2" FIP	16"	25	19.4
---------------	--------------	--------------------------	-----	----	------

OCR19B200AX C	026613153339	1/2" Nom Comp x 1/2" FIP	20"	25	21.6
---------------	--------------	--------------------------	-----	----	------



PR19B160AX C	026613153575	1/2" Nom CPVC x 1/2" FIP	16"	25	20.8
--------------	--------------	--------------------------	-----	----	------

PR19B200AX C	026613153582	1/2" Nom CPVC x 1/2" FIP	20"	25	22.1
--------------	--------------	--------------------------	-----	----	------



OCR19B160KCX C	026613153322	1/2" Nom Comp x 3/8" OD Comp	16"	25	20.0
----------------	--------------	------------------------------	-----	----	------

OCR19B200KCX C	026613153346	1/2" Nom Comp x 3/8" OD Comp	20"	25	21.3
----------------	--------------	------------------------------	-----	----	------

PR19B200KCX C	026613153599	1/2" Nom CPVC x 3/8" OD Comp	20"	25	21.8
---------------	--------------	------------------------------	-----	----	------



### Toilet - Multi-Turn One-Piece Supply - Angle Stop - Braided Connector

OCR19B90DLX C	026613157498	1/2" Nom Comp x 7/8" Ballcock	9"	50	17.7
---------------	--------------	-------------------------------	----	----	------

OCR19B120DLX C	026613155265	1/2" Nom Comp x 7/8" Ballcock	12"	50	18.6
----------------	--------------	-------------------------------	-----	----	------



OCR19B120DLMX C	026613155296	1/2" Nom Comp x 7/8" Ballcock With Metal Nut	12"	50	21.6
-----------------	--------------	--	-----	----	------



PR19B90DLX C	026613157504	1/2" Nom CPVC x 7/8" Ballcock	9"	50	18.2
--------------	--------------	-------------------------------	----	----	------

PR19B120DLX C	026613155289	1/2" Nom CPVC x 7/8" Ballcock	12"	50	19.1
---------------	--------------	-------------------------------	-----	----	------



### Dishwasher - Multi-Turn One-Piece Supply - Angle Stop - Braided Connector

OCR19B600DW6 C	026613105772	1/2" Nom Comp x 3/8" OD Comp With 3/8" MIP Elbow	60"	10	7.5
----------------	--------------	--	-----	----	-----

OCR19B720DW6 C	026613105802	1/2" Nom Comp x 3/8" OD Comp With 3/8" MIP Elbow	72"	10	8.2
----------------	--------------	--	-----	----	-----

NOTE: All faucet connections come 2pc per pack

PART NO.	UPC	DESCRIPTION	LENGTH	QTY	LBS
----------	-----	-------------	--------	-----	-----

## Dishwasher - Multi-Turn One-Piece Supply - Angle Stop - Braided Connector (cont.)

PR19B600DW6 C	026613105796	1/2" Nom CPVC x 3/8" OD Comp With 3/8" MIP Elbow	60"	10	7.5
---------------	--------------	--	-----	----	-----



## Faucet - Multi-Turn One-Piece Supply - Angle Stop - Vinyl Connector

BRPX19V120AX C	026613152899	1/2" Nom Barb x 1/2" FIP	12"	25	15.2
----------------	--------------	--------------------------	-----	----	------

BRPX19V200AX C	026613152905	1/2" Nom Barb x 1/2" FIP	20"	25	17.5
----------------	--------------	--------------------------	-----	----	------

OCR19V160AX C	026613153360	1/2" Nom Comp x 1/2" FIP	16"	25	19.4
---------------	--------------	--------------------------	-----	----	------

OCR19V200AX C	026613153377	1/2" Nom Comp x 1/2" FIP	20"	25	20.5
---------------	--------------	--------------------------	-----	----	------

PR19V160AX C	026613153605	1/2" Nom CPVC x 1/2" FIP	16"	25	19.9
--------------	--------------	--------------------------	-----	----	------

PR19V200AX C	026613153612	1/2" Nom CPVC x 1/2" FIP	20"	25	20.9
--------------	--------------	--------------------------	-----	----	------



## Toilet - Multi-Turn One-Piece Supply - Angle Stop - Vinyl Connector

BRPX19V120DLX C	026613155340	1/2" Nom Barb x 7/8" Ballcock	12"	50	14.9
-----------------	--------------	-------------------------------	-----	----	------

OCR19V90DLX C	026613155364	1/2" Nom Comp x 7/8" Ballcock	9"	50	17.0
---------------	--------------	-------------------------------	----	----	------

OCR19V120DLX C	026613155357	1/2" Nom Comp x 7/8" Ballcock	12"	50	17.6
----------------	--------------	-------------------------------	-----	----	------

PR19V90DLX C	026613155388	1/2" Nom CPVC x 7/8" Ballcock	9"	50	17.5
--------------	--------------	-------------------------------	----	----	------

PR19V120DLX C	026613155371	1/2" Nom CPVC x 7/8" Ballcock	12"	50	18.1
---------------	--------------	-------------------------------	-----	----	------



NOTE: All faucet connections come 2pc per pack



PART NO.	UPC	DESCRIPTION	LENGTH	QTY	LBS
<b>Dishwasher - Multi-Turn One-Piece Supply - Angle Stop - Vinyl Connector</b>					

OCR19V600DW6 C	026613105598	1/2" Nom Comp x 3/8" OD Comp With 3/8" MIP Elbow	60"	10	6.9
OCR19V720DW6 C	026613105611	1/2" Nom Comp x 3/8" OD Comp With 3/8" MIP Elbow	72"	10	7.5

PR19V600DW6 C	026613105604	1/2" Nom CPVC x 3/8" OD Comp With 3/8" MIP Elbow	60"	10	6.9
PR19V720DW6 C	026613105635	1/2" Nom CPVC x 3/8" OD Comp With 3/8" MIP Elbow	72"	10	7.6

NOTE: All faucet connections come 2pc per pack

PART NO.	UPC	DESCRIPTION	LENGTH	FINISH	QTY	LBS
<b>Faucet - Compression x Compression - Angle</b>						
OCR1912AX C	026613140193	1/2" Nom Comp x 3/8" OD Comp	12"	Chrome	25	20.9
OCR1912AX R	026613153254	1/2" Nom Comp x 3/8" OD Comp	12"	Rough	25	21.8
OCR1915AX C	026613140209	1/2" Nom Comp x 3/8" OD Comp	15"	Chrome	25	24.1
OCR1920AX C	026613140216	1/2" Nom Comp x 3/8" OD Comp	20"	Chrome	25	26.5
OCR3912AX C	026613153407	1/2" Nom Comp x 1/2" OD Comp	12"	Chrome	25	25.2
OCR3920AX C	026613153414	1/2" Nom Comp x 1/2" OD Comp	20"	Chrome	25	32.4
OCR3920AX R	026613153421	1/2" Nom Comp x 1/2" OD Comp	20"	Rough	25	33.3



<b>Faucet - Compression x Compression With KC Nosepiece - Angle</b>						
OCR1912KCX C	026613153261	1/2" Nom Comp x 3/8" OD Comp	12"	Chrome	25	22.4
OCR1912KCX R	026613153278	1/2" Nom Comp x 3/8" OD Comp	12"	Rough	25	23.4



<b>Faucet - Compression x Compression - Angle</b>						
OCR1920CX C	026613153292	1/2" Nom Comp x 3/8" OD Comp	20"	Chrome	25	26.6



<b>Faucet - FIP x Compression- Angle</b>						
OR1512AX C	026613153483	3/8" FIP x 3/8" OD Comp	12"	Chrome	25	19.4
OR1712AX C	026613140223	1/2" FIP x 3/8" OD Comp	12"	Chrome	25	21.0
OR1715AX C	026613139951	1/2" FIP x 3/8" OD Comp	15"	Chrome	25	24.1
OR1720AX C	026613140162	1/2" FIP x 3/8" OD Comp	20"	Chrome	25	26.6



<b>Faucet - FIP x Flare - Angle</b>						
OFR1717CX C	026613153469	1/2" FIP x 3/8" OD Flare	17"	Chrome	25	26.0



<b>Faucet - Sweat x Compression - Angle</b>						
R1912AX C	026613153728	1/2" Nom Sweat x 3/8" OD Comp	12"	Chrome	25	22.2
R1912AX R	026613153735	1/2" Nom Sweat x 3/8" OD Comp	12"	Rough	25	22.1
R1920AX C	026613153759	1/2" Nom Sweat x 3/8" OD Comp	20"	Chrome	25	29.4



<b>Faucet - Sweat x Compression With Sweat Riser - Angle</b>						
R1912KAX R	026613153742	1/2" Nom Sweat x 3/8" OD Comp	12"	Rough	25	21.2



Denotes best selling Supply Kits.  
NOTE: All faucet connections come 2pc per pack



PART NO.	UPC	DESCRIPTION	LENGTH	FINISH	QTY	LBS
<b>Faucet - Sweat x Flare - Angle</b>						
FR1911CX C	026613152967	1/2" Nom Sweat x 3/8" OD Flare	11"	Chrome	50	43.3
FR1917CX C	026613152974	1/2" Nom Sweat x 3/8" OD Flare	17"	Chrome	25	26.7



### Faucet - 1/4 Turn Ball 5" Sweat Extension Tube x Compression - Angle

KTCS400AX C	026613153179	1/2" Nom Sweat x 3/8" OD Comp	12"	Chrome	25	27.7
-------------	--------------	-------------------------------	-----	--------	----	------



### Faucet - 5" Sweat Extension x Compression - Angle

CS400AX C	026613152912	1/2" Nom Sweat x 3/8" OD Comp	12"	Chrome	25	26.1
CS500AX C	026613152943	1/2" Nom Sweat x 1/2" OD Comp	12"		25	30.5
CS425AX C	026613152936	1/2" Nom Sweat x 3/8" OD Comp	20"	Chrome	25	31.6



### Faucet - 5" Sweat Extension x Compression - Straight

CS407AX C	026613152929	1/2" Nom Sweat x 3/8" OD Comp	30"	Chrome	20	32.1
-----------	--------------	-------------------------------	-----	--------	----	------



### △Faucet - CPVC Solvent Weld x Compression - Angle

PR1920AX C	026613153568	1/2" Nom CPVC x 3/8" OD Comp	20"	Chrome	25	27.1
------------	--------------	------------------------------	-----	--------	----	------



### Toilet - 1/4 Turn Compression x Compression - Angle

G2CR1912DLX C	026613155029	1/2" Nom Comp x 3/8" OD Comp	12"	Chrome	50	23.8
---------------	--------------	------------------------------	-----	--------	----	------



### Toilet - Compression x Compression - Angle

OCR1912DLX C	026613154817	1/2" Nom Comp x 3/8" OD Comp	12"	Chrome	50	23.5
OCR1920DLX C	026613154886	1/2" Nom Comp x 3/8" OD Comp	20"	Chrome	25	15.9
OCR3912DLX C	026613154596	1/2" Nom Comp x 1/2" OD Comp	12"	Chrome	50	26.6
OCR1912DEX C	026613154978	1/2" Nom Comp x 3/8" OD Comp	12"	Chrome	50	23.8
OCR1912EX C	026613154985	1/2" Nom Comp x 3/8" OD Comp	12"	Chrome	50	24.2

■ Denotes best selling Supply Kits.

△ CPVC pre-torqued fittings eliminate the need for tightening on the job.

NOTE: All faucet connections come 2pc per pack

PART NO.	UPC	DESCRIPTION	LENGTH	FINISH	QTY	LBS
<b>Toilet - Compression x Compression - Straight</b>						
OCR1412DLX C	026613154718	1/2" Nom Comp x 3/8" OD Comp	12"	Chrome	50	25.8



<b>Toilet - FIP x Compression - Angle</b>						
OR1512DLX C	026613154749	3/8" FIP x 3/8" OD Comp	12"	Chrome	50	25.2
OR1712DLX C	026613154732	1/2" FIP x 3/8" OD Comp	12"	Chrome	50	23.5
OR1715DLX C	026613154756	1/2" FIP x 3/8" OD Comp	15"	Chrome	50	27.5



<b>Toilet - FIP x Compression - Straight</b>						
OR1012DLX C	026613154688	3/8" FIP x 3/8" OD Comp	12"	Chrome	50	24.9



<b>Toilet - FIP x Flare - Angle</b>						
OFR1711EX C	026613157511	1/2" FIP x 3/8" OD Flare	11"	Chrome	50	23.8



<b>Toilet - Sweat x Compression - Angle</b>						
R1912DLX C	026613154763	1/2" Nom Sweat x 3/8" OD Comp	12"	Chrome	50	24.8



<b>Toilet - Sweat x Flare Stop - Angle</b>						
FR3911EX C	026613154602	1/2" Nom Sweat x 1/2" OD Flare	11"	Chrome	50	29.0



<b>Toilet - 1/4 Turn Ball 5" Sweat Extension Tube x Compression - Angle</b>						
KTCS401DLX C	026613154794	1/2" Nom Sweat x 3/8" OD Comp	12"	Chrome	50	30.3
KTCS403DLX C	026613154992	1/2" Nom Sweat x 3/8" OD Comp	12"	Chrome	50	29.6



Denotes best selling Supply Kits.  
NOTE: All faucet connections come 2pc per pack



PART NO.	UPC	DESCRIPTION	LENGTH	FINISH	QTY	LBS
----------	-----	-------------	--------	--------	-----	-----

### Toilet - 5" Sweat Extension Tube x Compression - Angle

CS401DLX C	026613154848	1/2" Nom Sweat x 3/8" OD Comp	12"	Chrome	50	28.6
------------	--------------	-------------------------------	-----	--------	----	------



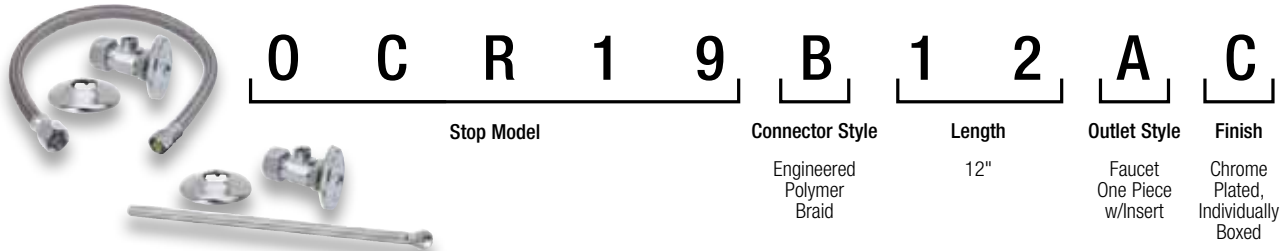
### Toilet - 5" Sweat Extension Tube x Compression - Straight

CS403DLX C	026613154824	1/2" Nom Sweat x 3/8" OD Comp	12"	Chrome	50	30.2
------------	--------------	-------------------------------	-----	--------	----	------



# Part Numbering System

Example:



**0CR19**

Stop Model

## Stop Model

See Stop Part Numbering, Pages 10, 15 and 21

**B**

Connector Style

## Connector Style

Copper Connector (No Prefix)

**B** Engineered Polymer Braid

**1 2**

Length

## Length

For Faucet:

12 12"

15 15"

20 20"

For Flare:

11 11"

17 17"

For Toilet:

12 12"

15 15"

20 20"

For Flare:

11 11"

### Engineered Polymer Braid

For Faucet:

12 12"

16 16"

20 20"

For Toilet:

12 12"

16 16"

**A**

Outlet Style

## Outlet Style

- A** Faucet - One Piece w/Insert
- C** Faucet - Rubber Washer w/Brass Ring
- KA** Faucet - Sweat
- KC** Faucet - Compression
- DL** Toilet - w/Gasket Nosepiece
- E** Toilet - Rubber Washer w/Brass Ring

### For Engineered Polymer Braid

- A** Faucet - 1/2" FIP, Metal Nut
- DL** Toilet - 7/8" Ballcock, Plastic Nut

**Z**

Option (Modifier)

## Option

**Z** Brass Stem

### For Engineered Polymer Braid

**Z** Brass Stem

**C**

Finish

## Packaging

- C** Chrome Plated, Individually Boxed\*
- R** Rough / Unplated, Individually Boxed\*

### For Engineered Polymer Braid

- C** Chrome Plated, Individually Bagged\*
- R** Rough / Unplated, Individually Bagged\*

\* One pair for faucet connectors

\*\* Numbering system does not apply to Sweat Extension Supply Kits



PART NO.	UPC	DESCRIPTION	LENGTH	FINISH	QTY	LBS
----------	-----	-------------	--------	--------	-----	-----

**Faucet - 1/4 Turn Ball Compression x Compression Angle Stop, Compression x FIP Braided Connector**

KTCR19B12AX C	026613153162	1/2" Nom Comp x 3/8" OD Comp 3/8" Comp x 1/2" FIP	12"	Chrome	50	24.7
KTCR19B16AX C	026613140100	1/2" Nom Comp x 3/8" OD Comp 3/8" Comp x 1/2" FIP	16"	Chrome	50	26.2
KTCR19B20AX C	026613140094	1/2" Nom Comp x 3/8" OD Comp 3/8" Comp x 1/2" FIP	20"	Chrome	50	27.3



**Faucet - 1/4 Turn Compression x Compression Angle Stop, Compression x FIP Braided Connector**

G2CR19B16AX C	026613140049	1/2" Nom Comp x 3/8" OD Comp 3/8" Comp x 1/2" FIP	16"	Chrome	50	23.0
G2CR19B20AX C	026613140032	1/2" Nom Comp x 3/8" OD Comp 3/8" Comp x 1/2" FIP	20"	Chrome	50	24.1



**Faucet - Compression x Compression Angle Stop, Compression x FIP Braided Connector**

OCR19B12AX C	026613153308	1/2" Nom Comp x 3/8" OD Comp 3/8" Comp x 1/2" FIP	12"	Chrome	50	21.3
OCR19B16AX C	026613140148	1/2" Nom Comp x 3/8" OD Comp 3/8" Comp x 1/2" FIP	16"	Chrome	50	22.8
OCR19B20AX C	026613140124	1/2" Nom Comp x 3/8" OD Comp 3/8" Comp x 1/2" FIP	20"	Chrome	50	23.9



**Faucet - FIP x Compression Angle Stop, Compression x FIP Braided Connector**

OR15B20AX C	026613153506	3/8" FIP x 3/8" OD Comp 3/8" Comp x 1/2" FIP	20"	Chrome	50	22.2
OR17B12AX C	026613157870	1/2" FIP x 3/8" OD Comp 3/8" Comp x 1/2" FIP	12"	Chrome	50	2.0
OR17B16AX C	026613157887	1/2" FIP x 3/8" OD Comp 3/8" Comp x 1/2" FIP	16"	Chrome	50	2.0
OR17B20AX C	026613157894	1/2" FIP x 3/8" OD Comp 3/8" Comp x 1/2" FIP	20"	Chrome	50	2.0



**Faucet - Sweat x Compression Angle Stop, Compression x FIP Braided Connector**

R19B12AX C	026613153766	1/2" Nom Sweat x 3/8" OD Comp 3/8" Comp x 1/2" FIP	12"	Chrome	50	22.6
R19B20AX C	026613153773	1/2" Nom Sweat x 3/8" OD Comp 3/8" Comp x 1/2" FIP	20"	Chrome	50	25.2



**Faucet - Dual Outlet Compression x Compression x Compression Stop, Compression x FIP - Braided Connector**

CR1901LRB20AX C	026613140087	1/2" Nom Comp x 3/8" OD Comp x 3/8" OD Comp 3/8" Comp x 1/2" FIP	20"	Chrome	50	26.2
-----------------	--------------	---	-----	--------	----	------

NOTE: All faucet connections come 1pc per pack

PART NO.	UPC	DESCRIPTION	LENGTH	FINISH	QTY	LBS
----------	-----	-------------	--------	--------	-----	-----

**Toilet - 1/4" Turn Ball Compression x Compression Angle Stop, Compression x Ballcock Braided Connector**

KTCR19B12DLX C	026613154800	1/2" Nom Comp x 3/8" OD Comp 3/8" Comp x 7/8" Ballcock	12"	Chrome	50	23.6
KTCR19B12DLMX C	026613155043	1/2" Nom Comp x 3/8" OD Comp With Metal Nut 3/8" Comp x 7/8" Ballcock	12"	Chrome	50	26.4



**Toilet - 1/4" Turn Compression x Compression Angle Stop, Compression x Ballcock Braided Connector**

G2CR19B12DLX C	026613155036	1/2" Nom Comp x 3/8" OD Comp 3/8" Comp x 7/8" Ballcock	12"	Chrome	50	20.4
----------------	--------------	---	-----	--------	----	------



**Toilet - Compression x Compression Angle Stop, Compression x Ballcock Braided Connector**

OCR19B12DLX C	026613154831	1/2" Nom Comp x 3/8" OD Comp 3/8" Comp x 7/8" Ballcock	12"	Chrome	50	20.3
OCR19B12DLMX C	026613155067	1/2" Nom Comp x 3/8" OD Comp With Metal Nut 3/8" Comp x 7/8" Ballcock	12"	Chrome	50	23.1
OCR19B16DLX C	026613154725	1/2" Nom Comp x 3/8" OD Comp 3/8" Comp x 7/8" Ballcock	16"	Chrome	50	21.5



**Toilet - FIP x Compression Angle Stop, Compression x Ballcock Braided Connector**

OR17B12DLX C	026613154640	1/2" FIP x 3/8" OD Comp 3/8" Comp x 7/8" Ballcock	12"	Chrome	50	20.2
OR37B12DLX C	026613157528	1/2" FIP x 1/2" OD Comp 3/8" Comp x 7/8" Ballcock	12"	Chrome	50	23.0



**Toilet - Sweat x Compression Angle Stop, Compression x Ballcock Braided Connector**

R19B12DLX C	026613155258	1/2" Nom Sweat x 3/8" OD Comp 3/8" Comp x 7/8" Ballcock	12"	Chrome	50	21.5
-------------	--------------	--	-----	--------	----	------



**Toilet - Sweat x Compression With 5" Extension Tube - Angle Stop, Compression x Ballcock Braided Connector**

CS401B12DLX C	026613155159	1/2" Nom Sweat x 3/8" OD Comp 3/8" Comp x 7/8" Ballcock	12"	Chrome	50	26.2
---------------	--------------	--	-----	--------	----	------



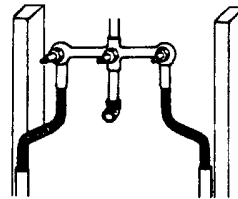
NOTE: All faucet connections come 1pc per pack



PART NO.	UPC	DESCRIPTION	LENGTH	FINISH	QTY	LBS
<b>Faucet - FIP Stop With 5 1/2" IPS Extension Tube &amp; 4 1/2" Riser</b>						
S3601X C	026613153797	3/8" x 5 1/2" Tube, 3/8" x 4 1/2" Riser, 3/8" FIP x 1/4" FIP Reducer Bushing, Stuffing Box With Oval Handles		Chrome	5	11.0

# Kwik-In™ Tub & Shower Connectors

Install Tub and Shower Fixtures without Fittings.  
Align the valve with the fixture on remodeling jobs or in new work with Kwik-In™ corrugated connectors. The one-piece design, constructed of 5/8" OD x 15" copper tubing, eliminates the need for one or more fittings. They provide flexibility behind the wall allowing for easier installation, and are IAPMO listed for behind-the-wall use.



PART NO.	UPC	DESCRIPTION	LENGTH	FINISH	QTY	LBS
----------	-----	-------------	--------	--------	-----	-----

## Kwik-In™ Tub & Shower Connectors

WD65-15	026613008493	1/2" Nom Male Sweat x 1/2" Nom Female Sweat			24	6.8
---------	--------------	---	--	--	----	-----



## Copper Tubing - Dead Soft - Chrome Plated Slip Tube

1-12 C	026613041087	3/8" OD x 12" Long Slip Tube			100	10.9
3360 C	026613041230	3/8" OD x 36" Long Slip Tube			64	22.0
1-72 C	026613041148	3/8" OD x 72" Long Slip Tube			20	15.4
3362 C	026613041254	1/2" OD x 36" Long Slip Tube			50	28.2
3-72 C10	026613058368	1/2" OD x 72" Long Slip Tube			10	10.9



## Tankless Water Heater Installation Kits

As the world leader in gas and water products, BrassCraft®'s tankless water heater installation kits are no exception. Our tankless water heater installation kits simplify the installation process with fewer connections and a clean, professional finish. Featuring independent, 1/4 turn water control, BrassCraft service valves make it simple to service and test the appliance.

**Large Capacity Gas Connector** ○  
with exclusive ProCoat® corrosion resistant coating

**Built-In Port for PR Valve** ○  
reduces the number of connections required

**Integrated Drain Valve** ○  
with independent, 1/4 turn operation

**Right-Sized Handles** ○  
color coded and great for tight installations



### BrassCraft's Tankless Water Heater kits offer a wide range of features including:

- One-Piece, Forged Brass Body
- Drain Valve with Brass Safety Cap
- 3/4" ID Coated Stainless Steel Gas Connector
- Available in Sweat & IPS Configurations
- Optional Full-Port Gas Ball Valve



PART NO.	UPC	DESCRIPTION	FINISH	QTY	LBS
----------	-----	-------------	--------	-----	-----

### Service Valve Kits



TWV30X	026613141350	IPS x IPS Service Valve Kit		6	20.9
--------	--------------	-----------------------------	--	---	------



TWV3SX	026613141411	Sweat x IPS Service Valve Kit		6	20.7
--------	--------------	-------------------------------	--	---	------

### Service Valve Kits with PRV



TWV30RX	026613141343	IPS x IPS Service Valve Kit with Pressure Relief Valve (200 kBtu/hr)		6	23.9
---------	--------------	--	--	---	------

PART NO.	UPC	DESCRIPTION	FINISH	QTY	LBS
----------	-----	-------------	--------	-----	-----

## Service Valve Kits with PRV (cont.)

TWV3SRX	026613141404	Sweat x IPS Service Valve Kit with Pressure Relief Valve (200 kBtu/hr)		6	23.7
---------	--------------	--	--	---	------



## Service Valve Kits with Gas Connector

TK30RB21-18X	026613141367	IPS x IPS Service Valve Kit with 3/4" ID (3/4" FIP x 3/4" MIP) x 18" Yellow Coated Gas Connector & PR Valve		3	16.3
--------------	--------------	---	--	---	------

TK30RB21-24X	026613141374	IPS x IPS Service Valve Kit with 3/4" ID (3/4" FIP x 3/4" MIP) x 24" Yellow Coated Gas Connector & PR Valve		3	16.6
--------------	--------------	---	--	---	------



TK3SRB21-18X	026613141923	Sweat x IPS Service Valve Kit with 3/4" ID (3/4" FIP x 3/4" MIP) x 18" Yellow Coated Gas Connector & PR Valve		3	16.2
--------------	--------------	---	--	---	------

TK3SRB21-24X	026613141930	Sweat x IPS Service Valve Kit with 3/4" ID (3/4" FIP x 3/4" MIP) x 24" Yellow Coated Gas Connector & PR Valve		3	16.5
--------------	--------------	---	--	---	------



## Service Valve Kits with Gas Connector & Gas Ball Valve

TK30RB21-18G3X	026613141381	IPS x IPS Service Valve Kit with 3/4" ID (3/4" FIP x 3/4" MIP) x 18" Yellow Coated Gas Connector, 3/4" Full-Port Gas Ball Valve & PR Valve		3	18.3
----------------	--------------	--	--	---	------

TK30RB21-24G3X	026613141398	IPS x IPS Service Valve Kit with 3/4" ID (3/4" FIP x 3/4" MIP) x 24" Yellow Coated Gas Connector, 3/4" Full-Port Gas Ball Valve & PR Valve		3	18.6
----------------	--------------	--	--	---	------



## Speedi Plumb® PLUS Engineered Polymer Water Heater Connectors

*Superior Flexibility, Superior Corrosion Resistance*



### No Kinking, No Crimping

The patented polymer braided jacket is specially engineered to allow the connector to bend freely without kinking or crimping. Easy to install, the connector won't work harden with repeated bending.

### Advanced Corrosion Resistance

The polymer braid is specially engineered to resist corrosion from harsh household cleaning and repair products.

### No Dielectric Union Needed

The engineered polymer braid and rubber core are non-conductive materials and therefore eliminate the need for a dielectric union.

### Less Torque to Seal

Rubber washer is easier to install on rough nipple surfaces.

### Longer Connector Nuts



A greater number of thread-to-thread contact provides a better seal to lined nipples.



PART NO.	UPC	DESCRIPTION	FINISH	QTY	LBS
<b>.57" ID Tube - FIP X FIP</b>					
BWB0-12	026613965321	3/4" FIP x 3/4" FIP	12"	10	4.7
BWB0-15	026613965406	3/4" FIP x 3/4" FIP	15"	10	5.3
BWB0-18	026613965413	3/4" FIP x 3/4" FIP	18"	10	5.8
BWB0-24	026613965420	3/4" FIP x 3/4" FIP	24"	10	6.9
<b>.57" ID Tube - FIP X Compression</b>					
BWB05-18	026613120836	3/4" FIP x 5/8" OD Comp	18"	10	6.0
BWB08-12	026613965369	3/4" FIP x 7/8" OD Comp	12"	10	5.5
BWB08-18	026613965383	3/4" FIP x 7/8" OD Comp	18"	10	6.6
BWB08-24	026613965390	3/4" FIP x 7/8" OD Comp	24"	10	7.7
<b>.57" ID Tube - MIP X FIP</b>					
BWB20-12	026613965437	3/4" MIP x 3/4" FIP	12"	10	5.1
BWB20-15	026613965444	3/4" MIP x 3/4" FIP	15"	10	5.7
BWB20-18	026613965451	3/4" MIP x 3/4" FIP	18"	10	6.3
BWB20-24	026613965468	3/4" MIP x 3/4" FIP	24"	10	7.3

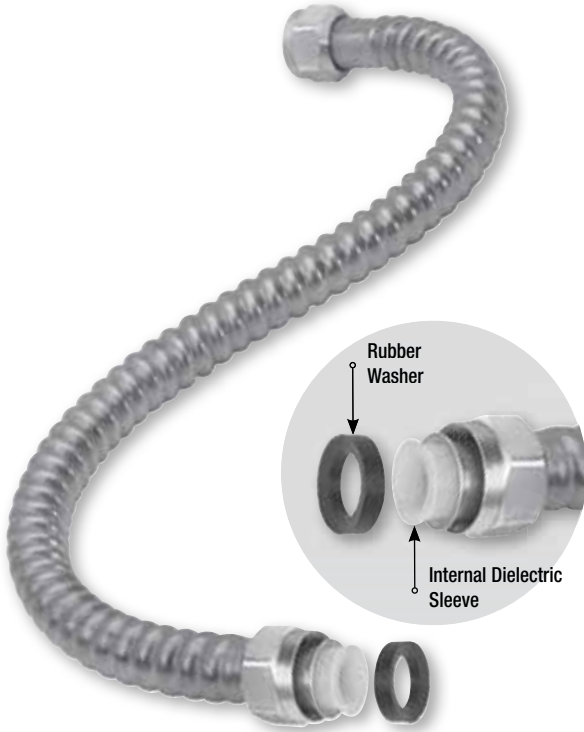


# WATER HEATER CONNECTORS

PART NO.	UPC	DESCRIPTION	LENGTH	QTY	LBS	
<b>.57" ID Tube - MIP x Compression</b>						
BWB25-18	026613100333	3/4" MIP X 5/8" OD Comp	18"	10	6.3	
BWB28-18	026613965345	3/4" MIP x 7/8" OD Comp	18"	10	7.0	
BWB28-24	026613965352	3/4" MIP x 7/8" OD Comp	24"	10	8.1	
<b>.57" ID Tube - FIP X PEX</b>						
BWB0-18PX	026613107141	3/4" FIP x 3/4" Nom PEX Barb	18"	10	6.8	

## Copper-Flex™ Water Heater Connectors

Patented Resistance Against Galvanic Corrosion



### Patented Internal Dielectric Sleeve

Effectively separates dissimilar metals within the waterway to prevent galvanic corrosion.

### No Dielectric Union Needed

Dielectric sleeve eliminates the need for a dielectric union (plastic lined nipple).

### Less Torque to Seal

Rubber washer is more resilient than PEX and easier to install on rough nipple surfaces.

### Longer Connector Nuts

A greater number of thread-to-thread contact provides a better seal to lined nipples.

### Available for PEX connections



PART NO.	UPC	DESCRIPTION	LENGTH	QTY	LBS
----------	-----	-------------	--------	-----	-----

### 7/8" OD Tube - FIP X FIP



WB00-12N	026613089287	3/4" FIP x 3/4" FIP	12"	25	9.7
WB00-15N	026613089300	3/4" FIP x 3/4" FIP	15"	25	11.9
WB00-18N	026613089331	3/4" FIP x 3/4" FIP	18"	25	13.1
WB00-24N	026613089348	3/4" FIP x 3/4" FIP	24"	25	16.5
WB10-18N	026613131504	1" FIP x 3/4" FIP	18"	25	17.1

### 7/8" OD Tube - FIP x Male Sweat










WB03-12N	026613089362	3/4" FIP x 3/4" Nom Male Sweat (7/8" OD)	12"	25	8.1
WB03-15N	026613089379	3/4" FIP x 3/4" Nom Male Sweat (7/8" OD)	15"	25	10.3
WB03-18N	026613089386	3/4" FIP x 3/4" Nom Male Sweat (7/8" OD)	18"	25	11.5
WB03-24N	026613089393	3/4" FIP x 3/4" Nom Male Sweat (7/8" OD)	24"	25	14.9

### 7/8" OD Tube - FIP x Male/Female Sweat



WB034-12N	026613089409	3/4" FIP x 3/4" Nom Male/Female Sweat (7/8" ID)	12"	25	8.1
WB034-15N	026613089416	3/4" FIP x 3/4" Nom Male/Female Sweat (7/8" ID)	15"	25	10.3
WB034-18N	026613089423	3/4" FIP x 3/4" Nom Male/Female Sweat (7/8" ID)	18"	25	11.5
WB034-24N	026613093710	3/4" FIP x 3/4" Nom Male/Female Sweat (7/8" ID)	24"	25	14.9
WB134-18N	026613110608	1" FIP x 3/4" Nom Male/Female Sweat (7/8" ID)	18"	25	15.5
WB134-24N	026613110615	1" FIP x 3/4" Nom Male/Female Sweat (7/8" ID)	24"	25	19.2

**WARNING:** For use with water in accessible locations only. DO NOT use with gas – gas will cause corrosion and leakage.

PART NO.	UPC	DESCRIPTION	LENGTH	QTY	LBS	
<b>7/8" OD Tube - FIP x PEX Barb</b>						
WB07-18	026613048871	3/4" FIP x 3/4" PEX Barb (brass, pre-torqued)	18"	25	16.5	
WB07-24	026613100661	3/4" FIP x 3/4" PEX Barb (brass, pre-torqued)	24"	25	20.2	
<b>7/8" OD Tube - FIP/MIP x PEX Barb</b>						
WB27-18	026613107950	3/4" FIP/MIP x 3/4" PEX Barb (brass, pre-torqued)	18"	25	20.2	
<b>7/8" OD Tube - FIP/MIP x FIP</b>						
WB20-12N	026613108254	3/4" FIP/MIP x 3/4" FIP	12"	25	14.1	
WB20-15N	026613110394	3/4" FIP/MIP x 3/4" FIP	15"	25	15.8	
WB20-18N	026613097695	3/4" FIP/MIP x 3/4" FIP	18"	25	18.2	
WB20-24N	026613097701	3/4" FIP/MIP x 3/4" FIP	24"	25	21.9	
<b>7/8" OD Tube - FIP/MIP x Male Sweat</b>						
WB23-18N	026613094762	3/4" FIP/MIP x 3/4" Nom Male Sweat (7/8" OD)	18"	25	16.6	
<b>7/8" OD Tube - FIP/MIP x Male/Female Sweat</b>						
WB234-12N	026613093727	3/4" FIP/MIP x 3/4" Nom Male/Female Sweat (7/8" ID)	12"	25	12.5	
WB234-15N	026613093734	3/4" FIP/MIP x 3/4" Nom Male/Female Sweat (7/8" ID)	15"	25	14.2	
WB234-18N	026613093741	3/4" FIP/MIP x 3/4" Nom Male/Female Sweat (7/8" ID)	18"	25	16.6	
WB234-24N	026613093758	3/4" FIP/MIP x 3/4" Nom Male/Female Sweat (7/8" ID)	24"	25	20.3	
<b>7/8" OD Tube - Female Sweat x Female Sweat</b>						
WC44-12	026613008301	3/4" Nom Female Sweat (7/8" ID) x 3/4" Nom Female Sweat (7/8" ID)	12"	25	6.5	
WC44-15	026613008318	3/4" Nom Female Sweat (7/8" ID) x 3/4" Nom Female Sweat (7/8" ID)	15"	25	8.7	
WC44-18	026613008325	3/4" Nom Female Sweat (7/8" ID) x 3/4" Nom Female Sweat (7/8" ID)	18"	25	9.9	
WC44-24	026613008332	3/4" Nom Female Sweat (7/8" ID) x 3/4" Nom Female Sweat (7/8" ID)	24"	25	13.3	
WC66-12	026613008424	1/2" Nom Female Sweat (5/8" ID) x 1/2" Nom Female Sweat (5/8" ID)	12"	25	6.4	
<b>7/8" OD Tube - Female Sweat x Male Sweat</b>						
WC43-12	026613008264	3/4" Nom Female Sweat (7/8" ID) x 3/4" Nom Male Sweat (7/8" OD)	12"	25	6.5	
WC43-15	026613008271	3/4" Nom Female Sweat (7/8" ID) x 3/4" Nom Male Sweat (7/8" OD)	15"	25	8.7	
WC43-18	026613008288	3/4" Nom Female Sweat (7/8" ID) x 3/4" Nom Male Sweat (7/8" OD)	18"	25	9.9	
WC43-24	026613008295	3/4" Nom Female Sweat (7/8" ID) x 3/4" Nom Male Sweat (7/8" OD)	24"	25	13.3	
WC65-12	026613008387	1/2" Nom Female Sweat (5/8" ID) x 1/2" Nom Male Sweat (5/8" OD)	12"	25	6.4	
WC65-15	026613008394	1/2" Nom Female Sweat (5/8" ID) x 1/2" Nom Male Sweat (5/8" OD)	15"	25	8.6	
WC65-18	026613008400	1/2" Nom Female Sweat (5/8" ID) x 1/2" Nom Male Sweat (5/8" OD)	18"	25	9.8	
WC65-24	026613008417	1/2" Nom Female Sweat (5/8" ID) x 1/2" Nom Male Sweat (5/8" OD)	24"	25	13.2	

PART NO.	UPC	DESCRIPTION	LENGTH	QTY	LBS
<b>7/8" OD Tube - Male Sweat x Male Sweat</b>					
WC33-12	026613008202	3/4" Nom Male Sweat (7/8" OD) x 3/4" Nom Male Sweat (7/8" OD)	12"	25	6.5
WC33-18	026613008226	3/4" Nom Male Sweat (7/8" OD) x 3/4" Nom Male Sweat (7/8" OD)	18"	25	9.9
WC33-24	026613008233	3/4" Nom Male Sweat (7/8" OD) x 3/4" Nom Male Sweat (7/8" OD)	24"	25	13.3
WC55-18	026613008363	1/2" Nom Male Sweat (5/8" OD) x 1/2" Nom Male Sweat (5/8" OD)	18"	25	9.8



# ProCoat® Coated Stainless Steel Water Heater Connectors

*Greater Flexibility, Superior Corrosion Resistance*



### Exclusive ProCoat® Clear Coat

Provides superior corrosion resistance to deterioration from harsh chemicals that can cause pin hole leaks.

### Full Flow, Maximum Performance

With 3/4" full flow internal diameter, our connectors provide greater water flow without obstruction.

### Integrated Dielectric Sleeve

Isolates dissimilar metals within the waterway, where galvanic and electrolytic corrosion have their greatest potential.

### No Dielectric Union Needed

Integrated dielectric sleeve eliminates the need to install an additional dielectric union, reducing time and installation costs.

### 100% Leak Tested

Prior to coating application to ensure connector performance and reliability.



PART NO.	UPC	DESCRIPTION	LENGTH	QTY	LBS
<b>3/4" ID Tube - FIP x FIP</b>					
SWB00-12N	026613142562	(3/4" ID) 3/4" FIP x 3/4" FIP	12"	25	7.4
SWB00-15N	026613142579	(3/4" ID) 3/4" FIP x 3/4" FIP	15"	25	9.0
SWB00-18N	026613142586	(3/4" ID) 3/4" FIP x 3/4" FIP	18"	25	9.5
SWB00-24N	026613142593	(3/4" ID) 3/4" FIP x 3/4" FIP	24"	25	11.5
SWB07-18N	026613156781	(3/4" ID) 3/4" FIP x 3/4" PEX	18"	25	12.9



**WARNING:** For use with water in accessible locations only. DO NOT use with gas – gas will cause corrosion and leakage.

[www.brasscraft.com](http://www.brasscraft.com)



PART NO.	UPC	DESCRIPTION	LENGTH	QTY	LBS
----------	-----	-------------	--------	-----	-----

### Adaptors

WRU-12-12X	026613154213	Male Adaptor 3/4-14 Straight Male Pipe Thread x 3/4" MIP		200	35.9
------------	--------------	--	--	-----	------

WRU-16-12X	026613158440	Male Adaptor 3/4-14 Straight Male Pipe Thread x 1" MIP		100	30.2
------------	--------------	--	--	-----	------



WRU-12PXX	026613158518	3/4" MIP X 3/4" Nom PEX Brass Barb		100	10.9
-----------	--------------	------------------------------------	--	-----	------



### Pipe Reducer Bushings

PRB-12-8X	026613151281	3/4" MIP x 1/2" FIP	5	150	12.9
-----------	--------------	---------------------	---	-----	------



### Washers

WRJ	026613051963	Washer 1.020" OD x .687" ID x .240" Thick. For Copper Connectors with an Internal Dielectric Sleeve	500	2.1	
-----	--------------	---	-----	-----	--



WWCD	026613051970	Washer .940" OD x .675" ID x .218" Thick. For Copper Connectors with an External Dielectric Sleeve	1,000	3.1	
------	--------------	--	-------	-----	--

# Part Numbering System

## Iron Pipe Nipples

Fitting Type	Pipe Thread	Length	Finish	Option
<b>113</b>	<b>-06-</b>	<b>2.5</b>	<b>-C-</b>	<b>X</b>

<b>Type</b>	112	Close Pipe Nipples
	113	Long Pipe Nipples

<b>Pipe Thread</b>	02	1/8" Male Iron Pipe
	04	1/4" Male Iron Pipe
	06	3/8" Male Iron Pipe
	08	1/2" Male Iron Pipe
	10	5/8" Male Iron Pipe
	12	3/4" Male Iron Pipe
	16	1" Male Iron Pipe

<b>Length*</b>	1.5	1-1/2"
	2	2"
	2.5	2-1/2"
	3	3"
	3.5	3-1/2"
	4	4"
	4.5	4-1/2"
	5	5"
	5.5	5-1/2"
	6	6"

<b>Finish</b>	C	Chrome plated
	R	Rough (unplated)

<b>Option</b>	X	100% Compliant
(Modifier)		

\*For Close Nipples omit length

### Working Pressures

Working pressures vary by type and size of tubing used, and style of fitting. However, based on .032 wall copper tubing, the pressures may range as follows depending on size:

CONNECTION TYPE PRESSURE	WORKING
Flare (1/8" to 3/4")	600 to 3,000 PSI
Compression	100 to 400 PSI
Iron Pipe	Up to 1,200 PSI
PEX Tubing	Up to 150 PSI
Polyethylene Tubing	Up to 80 PSI

## Industry Standard Fittings

Fitting Type	Inlet Size	Outlet Size	Option	Finish
<b>69</b>	<b>-8-</b>	<b>6</b>	<b>-X-</b>	<b>C</b>

<b>Type</b>	62	Compression x Compression Union
	65	Compression x Compression Elbow
	68	Male Iron Pipe x Compression Union
	69	Male Iron Pipe x Compression Elbow
	70	Female Iron Pipe x Compression Elbow
	462	Flare x Compression Union Adaptor

<b>Inlet Size</b>	4	1/4"
	6	3/8"
	8	1/2"
	10	5/8"
	12	3/4"
	14	7/8"

<b>Outlet Size</b>	4	1/4"
	6	3/8"
	8	1/2"
	10	5/8"
	12	3/4"
	14	7/8"

<b>Option</b>	DT	Drill-Through
(Modifier)	X	100% Compliant

<b>Finish</b>	C	Chrome plated
	R	Rough (unplated)

### Fitting Thread Size Comparison Chart

SIZE	FLARE	COMPRESSION	PIPE
1/8	5/16-24	5/16-24	1/8-27
3/16	3/8-24	3/8-24	—
1/4	7/16-20	7/16-24	1/4-18
5/16	1/2-20	1/2-24	—
3/8	5/8-18	9/16-24	3/8-18
7/16	11/16-16	5/8-24	—
1/2	3/4-16	11/16-20	1/2-14
5/8	7/8-14	13/16-18	—
3/4	1-1/16-14	1-18	3/4-14
7/8	1-1/4-12	1-1/8-18	—
1	1-3/8-12	—	1-11-1/2

## General Information

Most brass fittings have a temperature range of -65°F to 250°F. They can be used on copper, brass, aluminum, plastic, and welded steel.

*Note: Compression fittings are not recommended for steel tubing.*



PART NO.	UPC	DESCRIPTION	FINISH	QTY	LBS
<b>Compression Unions</b>					
62-4DTX	026613147833	1/4" OD Tube, Drill Through (No Tube Stop), Both Ends	Rough	50	2.4
62-6DTX	026613147871	3/8" OD Tube, Drill Through (No Tube Stop), Both Ends	Rough	25	1.7



<b>Compression Reducing Unions</b>					
C14X C	026613149066	5/8" OD Tube x 3/8" OD Tube, Drill Through (No Tube Stop)	Chrome	25	3.4



<b>Compression Female Adaptors</b>					
10X C	026613145266	3/8" OD Tube, Drill Through (No Tube Stop) x 3/8" FIP	Chrome	25	1.5



<b>Compression Female Reducing Adaptors</b>					
12X C	026613146171	3/8" OD Tube, Drill Through (No Tube Stop) x 1/2" FIP	Chrome	25	1.8
12X R	026613146188	3/8" OD Tube, Drill Through (No Tube Stop) x 1/2" FIP	Rough	25	1.8



<b>Compression Male Adaptors</b>					
11X C	026613136172	3/8" OD Tube, Drill Through (No Tube Stop) x 3/8" MIP	Chrome	25	1.7
11X R	026613145297	3/8" OD Tube, Drill Through (No Tube Stop) x 3/8" MIP	Rough	25	1.7
33X C	026613147703	1/2" OD Tube, Drill Through (No Tube Stop) x 1/2" MIP	Chrome	25	3.0



68-8DTX	026613148649	1/2" OD Tube, Drill Through (No Tube Stop) x 1/2" MIP	Rough	25	3.0
---------	--------------	---	-------	----	-----



<b>Compression Male Reducing Adaptors</b>					
13X C	026613136264	3/8" OD Tube, Drill Through (No Tube Stop) x 1/2" MIP	Chrome	25	2.3
13X R	026613136257	3/8" OD Tube, Drill Through (No Tube Stop) x 1/2" MIP	Rough	25	2.3



<b>Compression Reducing Union Elbows</b>					
65-10-6X	026613148045	5/8" OD Tube x 3/8" OD Tube	Rough	10	1.7
65-10-6X C	026613148052	5/8" OD Tube x 3/8" OD Tube	Chrome	10	1.7



<b>Compression Male Elbows</b>					
69-6-6X	026613136325	3/8" OD Tube x 3/8" MIP	Rough	10	1.1
69-6-6X C	026613148700	3/8" OD Tube x 3/8" MIP	Chrome	10	1.1
69-8-8X	026613148748	1/2" OD Tube x 1/2" MIP	Rough	10	1.8



<b>Compression Male Reducing Elbows</b>					
69-6-8X	026613136479	3/8" OD Tube x 1/2" MIP	Rough	10	1.2
69-6-8X C	026613148717	3/8" OD Tube x 1/2" MIP	Chrome	10	1.2
69-8-6X	026613136493	1/2" OD Tube x 3/8" MIP	Rough	10	1.4
69-8-6X C	026613148731	1/2" OD Tube x 3/8" MIP	Chrome	10	1.4
69-10-8X	026613136516	5/8" OD Tube x 1/2" MIP	Rough	5	0.9



<b>Compression Female Elbows</b>					
70-6-6X	026613148793	3/8" OD Tube x 3/8" FIP	Rough	10	1.4



PART NO.	UPC	DESCRIPTION	FINISH	QTY	LBS
----------	-----	-------------	--------	-----	-----

## Compression Female Reducing Elbows

70-6-8X	026613148809	3/8" OD Tube x 1/2" FIP	Rough	10	1.3
70-6-8X C	026613148816	3/8" OD Tube x 1/2" FIP	Chrome	10	1.3



## Compression Female Tee Adaptors

CT2-664X P	026613140933	3/8" OD Tube x 3/8" OD Tube x 1/4" Female Comp Nut	Rough	10	1.9
CT2-666X P	026613140926	3/8" OD Tube x 3/8" OD Tube x 3/8" Female Comp Nut	Rough	10	1.9



## Flare Compression Adaptors

462-6-4X	026613154381	3/8" Female Flare, Fine Thread x 1/4" OD Tube	Rough	10	0.5
462-6-6X	026613154398	3/8" Female Flare, Fine Thread x 3/8" OD Tube	Rough	10	0.5
462-8-6X	026613155494	1/2" Female Flare, Fine Thread x 3/8" OD Tube	Rough	10	0.7



## Sweat Compression Adaptors

24X R	026613147697	1/2" Nom Sweat x 1/4" OD Tube	Rough	25	1.2
14X C	026613146850	1/2" Nom Sweat x 3/8" OD Tube, Drill Through (No Tube Stop)	Chrome	25	1.4
14X R	026613140698	1/2" Nom Sweat x 3/8" OD Tube, Drill Through (No Tube Stop)	Rough	25	1.4



## Sweat Compression Elbows

19X C	026613146904	1/2" Nom Sweat x 3/8" OD Tube	Chrome	25	2.9
-------	--------------	-------------------------------	--------	----	-----



## Garden Hose Dishwasher Elbows

HES-6-12X	026613160184	3/8" OD Comp x 3/4" Garden Hose w/ Washer	Rough	50	2.0
HES-8-12X	026613160221	1/2" OD Comp x 3/4" Garden Hose w/ Washer	Rough	200	2.0



HES-6-12WNMX	026613160214	3/8" OD Comp x 3/4" Garden Hose, Comp Nut & Sleeve, Hose Washer Included	Rough	50	10.0
--------------	--------------	--	-------	----	------





PART NO.	UPC	DESCRIPTION	FINISH	QTY	LBS
----------	-----	-------------	--------	-----	-----

### ΔCPVC Compression Reducing Adaptors

P14CX R	026613154497	1/2" Nom CPVC x 3/8" OD Tube	Rough	10	1.5
P44CX R	026613154503	1/2" Nom CPVC x 5/8" OD Tube	Rough	10	1.9



### ΔCPVC Female Adaptors

P48FX R	026613154510	1/2" Nom CPVC x 1/2" FIP	Rough	10	1.6
P72FX R	026613150932	3/4" Nom CPVC x 3/4" FIP	Rough	10	3.7



### ΔCPVC Male Adaptors

P48MX R	026613150918	1/2" Nom CPVC x 1/2" MIP	Rough	10	1.4
P72MX R	026613150949	3/4" Nom CPVC x 3/4" MIP	Rough	10	3.3



### ΔCPVC Female 90° Drop-Ear Elbows

P48WX R	026613150925	1/2" Nom CPVC x 1/2" FIP	Rough	10	4.1
---------	--------------	--------------------------	-------	----	-----

Δ CPVC pre-torqued fittings eliminate the need for tightening on the job.

PART NO.	UPC	DESCRIPTION	FINISH	QTY	LBS
<b>Pipe Nipples</b>					
113-02-1.5-RX	026613145402	1/8" MIP x 1-1/2"	Rough	25	0.8
113-02-2.5-RX	026613145419	1/8" MIP x 2-1/2"	Rough	25	2.5
113-02-2-RX	026613145426	1/8" MIP x 2"	Rough	25	1.0
113-02-3.5-RX	026613145433	1/8" MIP x 3-1/2"	Rough	25	2.0
113-02-3-RX	026613145440	1/8" MIP x 3"	Rough	25	1.5
113-02-4-RX	026613145457	1/8" MIP x 4"	Rough	25	2.2
113-04-1.5-RX	026613145464	1/4" MIP x 1-1/2"	Rough	25	1.5
113-04-2.5-RX	026613145471	1/4" MIP x 2-1/2"	Rough	25	1.9
113-04-2-RX	026613145488	1/4" MIP x 2"	Rough	25	1.8
113-04-3.5-RX	026613145495	1/4" MIP x 3-1/2"	Rough	25	2.8
113-04-3-RX	026613145501	1/4" MIP x 3"	Rough	25	3.0
113-04-4-RX	026613145518	1/4" MIP x 4"	Rough	25	3.9
113-04-6-RX	026613145525	1/4" MIP x 6"	Rough	25	2.0
113-06-1.5-CX	026613145532	3/8" MIP x 1-1/2"	Chrome	25	1.6
113-06-1.5-RX	026613145549	3/8" MIP x 1-1/2"	Rough	25	1.4
113-06-2.5-CX	026613145556	3/8" MIP x 2-1/2"	Chrome	25	2.5
113-06-2.5-RX	026613145563	3/8" MIP x 2-1/2"	Rough	25	2.5
113-06-2-CX	026613145570	3/8" MIP x 2"	Chrome	25	2.0
113-06-2-RX	026613145587	3/8" MIP x 2"	Rough	25	2.5
113-06-3.5-CX	026613145594	3/8" MIP x 3-1/2"	Chrome	25	4.4
113-06-3-CX	026613145600	3/8" MIP x 3"	Chrome	25	3.2
113-06-3-RX	026613145617	3/8" MIP x 3"	Rough	25	3.2
113-06-4.5-CX	026613145662	3/8" MIP x 4-1/2"	Chrome	25	5.5
113-06-4-CX	026613145679	3/8" MIP x 4"	Chrome	25	4.5
113-06-4-RX	026613145686	3/8" MIP x 4"	Rough	25	4.4
113-06-5.5-CX	026613145693	3/8" MIP x 5-1/2"	Chrome	25	7.7
113-06-5-CX	026613145709	3/8" MIP x 5"	Chrome	25	6.1
113-06-6-CX	026613145730	3/8" MIP x 6"	Chrome	25	7.5
113-08-1.5-CX	026613145747	1/2" MIP x 1-1/2"	Chrome	5	0.5
113-08-1.5-RX	026613145754	1/2" MIP x 1-1/2"	Rough	5	0.5
113-08-2.5-CX	026613145761	1/2" MIP x 2-1/2"	Chrome	5	0.8
113-08-2.5-RX	026613145778	1/2" MIP x 2-1/2"	Rough	5	2.0
113-08-2-CX	026613145785	1/2" MIP x 2"	Chrome	5	0.5
113-08-2-RX	026613145792	1/2" MIP x 2"	Rough	5	0.6
113-08-3.5-CX	026613145808	1/2" MIP x 3-1/2"	Chrome	5	1.0
113-08-3.5-RX	026613145815	1/2" MIP x 3-1/2"	Rough	5	1.0
113-08-3-CX	026613145822	1/2" MIP x 3"	Chrome	5	0.7
113-08-3-RX	026613145839	1/2" MIP x 3"	Rough	5	0.8
113-08-4.5-CX	026613145884	1/2" MIP x 4-1/2"	Chrome	5	1.5
113-08-4-CX	026613145891	1/2" MIP x 4"	Chrome	5	1.3
113-08-4-RX	026613145907	1/2" MIP x 4"	Rough	5	1.3
113-08-5.5-CX	026613145914	1/2" MIP x 5-1/2"	Chrome	5	1.7
113-08-5.5-RX	026613145921	1/2" MIP x 5-1/2"	Rough	5	1.7



NOTE: Nipple length in excess of 6" are available. Contact your sales rep. for details.

PART NO.	UPC	DESCRIPTION	FINISH	QTY	LBS
<b>Pipe Nipples (cont.)</b>					
113-08-5-CX	026613145938	1/2" MIP x 5"	Chrome	5	1.4
113-08-5-RX	026613145945	1/2" MIP x 5"	Rough	5	1.4
113-08-6-CX	026613145976	1/2" MIP x 6"	Chrome	5	2.0
113-08-6-RX	026613145983	1/2" MIP x 6"	Rough	5	2.0
113-12-1.5-RX	026613145990	3/4" MIP x 1-1/2"	Rough	5	0.7
113-12-2.5-RX	026613146003	3/4" MIP x 2-1/2"	Rough	5	1.0
113-12-2-CX	026613146010	3/4" MIP x 2"	Chrome	5	0.9
113-12-2-RX	026613146027	3/4" MIP x 2"	Rough	5	0.9
113-12-3.5-RX	026613146034	3/4" MIP x 3-1/2"	Rough	5	1.7
113-12-3-RX	026613146041	3/4" MIP x 3"	Rough	5	1.3
113-12-4.5-CX	026613146058	3/4" MIP x 4-1/2"	Chrome	5	2.0
113-12-4-RX	026613146065	3/4" MIP x 4"	Rough	5	1.8
113-12-5-RX	026613146072	3/4" MIP x 5"	Rough	5	2.3
113-12-6-RX	026613146089	3/4" MIP x 6"	Rough	5	2.8
113-16-2-RX	026613146096	1" MIP x 2"	Rough	5	1.2
113-16-3-RX	026613146102	1" MIP x 3"	Rough	5	1.8
113-16-4-RX	026613146119	1" MIP x 4"	Rough	5	2.0
113-16-6-RX	026613146126	1" MIP x 6"	Rough	5	3.9



### Close Pipe Nipples

112-02-RX	026613145303	1/8" MIP, Both Ends	Rough	25	0.4
112-04-RX	026613145310	1/4" MIP, Both Ends	Rough	25	0.6
112-06-CX	026613145327	3/8" MIP, Both Ends	Chrome	25	1.2
112-06-RX	026613145334	3/8" MIP, Both Ends	Rough	25	1.2
112-08-CX	026613145341	1/2" MIP, Both Ends	Chrome	5	0.4
112-08-RX	026613145358	1/2" MIP, Both Ends	Rough	5	0.4
112-12-RX	026613145365	3/4" MIP, Both Ends	Rough	5	0.6
112-16-RX	026613145372	1" MIP, Both Ends	Rough	5	0.8



NOTE: Nipple length in excess of 6" are available. Contact your sales rep. for details.

PART NO.	UPC	DESCRIPTION	FINISH	QTY	LBS
<b>Fine Thread Flare Nuts</b>					
F0-6	026613004785	3/8" OD Tube (9/16-24 Thread)	Rough	10	0.2
F0-6 C	026613059877	3/8" OD Tube (9/16-24 Thread)	Chrome	10	0.2
F0-8	026613967349	1/2" OD Tube (9/16-24 Thread)	Rough	10	0.4
F0-8 C	026613059884	1/2" OD Tube (9/16-24 Thread)	Chrome	10	0.4

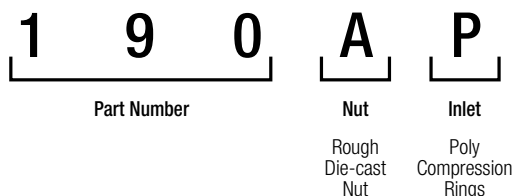


<b>Fine Thread Flare Reducing Nuts</b>					
F0-6-4 C	026613059846	3/8" OD Tube (9/16-24 Thread) x 1/4" OD Tube	Chrome	10	0.3
F0-6-4 R	026613058962	3/8" OD Tube (9/16-24 Thread) x 1/4" OD Tube	Rough	10	0.3



## Part Numbering System

Example:



### Part Number

Basic part number.  
1-3 digits.

### Nut

**A** Rough Die-cast Nut  
**B** Chrome Die-cast Nut  
**C** Rough Brass Nut  
**D** Chrome Brass Nut

### Option

**P** Poly Compression Rings  
**L** Lead Compression Rings  
**R** With Rubber Washer  
(P/N 90BR, 90DR, 94BR,  
94DR, 96BR, 96DR,  
98DR Only)

## Waste Connectors Machined from Extruded Solid Brass

Entire connector body is produced from solid brass. Eliminates all potential pin holes and porosity.

- **Uniform Wall Thickness** – No variations in wall thickness. Close dimensional tolerances assured.
- **Cleaner, Smoother Water Ways** – Uniform smooth internal surfaces allow full unobstructed flow through connector.
- **Better Threads** – Uniform cleaner threads ensure positive threaded connections. Less chance of cross-threading.
- **Smooth Finished Appearance...Easier to Assemble** – No burrs or rough surfaces to catch or hang up during assembly.



PART NO.	UPC	DESCRIPTION	FINISH	QTY	LBS
<b>Compression Male Waste Connectors (Female Sweat Tap)</b>					
190A	026613055596	1-1/4" OD Tube x 1-1/4" MIP (Tapped 1-3/8" OD Female Sweat)	Die Cast, Rough	25	7.3
190B	026613055619	1-1/4" OD Tube x 1-1/4" MIP (Tapped 1-3/8" OD Female Sweat)	Die Cast, Chrome	25	7.6
190C	026613055633	1-1/4" OD Tube x 1-1/4" MIP (Tapped 1-3/8" OD Female Sweat)	Rough Brass	25	8.0
192A	026613055718	1-1/4" OD Tube x 1-1/2" MIP (Tapped 1-5/8" OD Female Sweat)	Die Cast, Rough	25	8.1
192B	026613002422	1-1/4" OD Tube x 1-1/2" MIP (Tapped 1-5/8" OD Female Sweat)	Die Cast, Chrome	25	8.4
192C	026613055749	1-1/4" OD Tube x 1-1/2" MIP (Tapped 1-5/8" OD Female Sweat)	Rough Brass	25	8.8
196A	026613055824	1-1/2" OD Tube x 1-1/2" MIP (Tapped 1-5/8" OD Female Sweat)	Die Cast, Rough	25	7.8
196B	026613002439	1-1/2" OD Tube x 1-1/2" MIP (Tapped 1-5/8" OD Female Sweat)	Die Cast, Chrome	25	7.9
196C	026613055879	1-1/2" OD Tube x 1-1/2" MIP (Tapped 1-5/8" OD Female Sweat)	Brass, Rough	25	8.4

PART NO.	UPC	DESCRIPTION	FINISH	QTY	LBS
<b>Compression Female Waste Connectors</b>					
191B	026613055671	1-1/4" OD Tube x 1-1/4" FIP	Die Cast, Chrome	25	8.0
191C	026613055695	1-1/4" OD Tube x 1-1/4" FIP	Brass, Rough	25	8.5
193A	026613055770	1-1/4" OD Tube x 1-1/2" FIP	Die Cast, Rough	25	9.1
193B	026613002446	1-1/4" OD Tube x 1-1/2" FIP	Die Cast, Chrome	25	9.4
193C	026613055794	1-1/4" OD Tube x 1-1/2" FIP	Rough Brass	25	9.8
197A	026613055909	1-1/2" OD Tube x 1-1/2" FIP	Die Cast, Rough	25	8.5
197B	026613002453	1-1/2" OD Tube x 1-1/2" FIP	Die Cast, Chrome	25	9.7
197C	026613055947	1-1/2" OD Tube x 1-1/2" FIP	Rough Brass	25	10.1
197D	026613055978	1-1/2" OD Tube x 1-1/2" FIP	Chrome	25	10.1



<b>Compression Female Sweat Waste Connectors</b>					
200A	026613056081	1-1/4" OD Tube x 1-1/4" ID Female Sweat	Die Cast, Rough	25	7.4
200B	026613056098	1-1/4" OD Tube x 1-1/4" ID Female Sweat	Die Cast, Chrome	25	7.7
200C	026613056104	1-1/4" OD Tube x 1-1/4" ID Female Sweat	Brass, Rough	25	8.9
198A	026613055992	1-1/4" OD Tube x 1-1/2" ID Female Sweat	Die Cast, Rough	25	7.4
198B	026613056005	1-1/4" OD Tube x 1-1/2" ID Female Sweat	Die Cast, Chrome	25	7.7
198D	026613056029	1-1/4" OD Tube x 1-1/2" ID Female Sweat	Brass, Chrome	30	10.3
199A	026613056036	1-1/2" OD Tube x 1-1/2" ID Female Sweat	Die Cast, Rough	25	9.0
199B	026613056043	1-1/2" OD Tube x 1-1/2" ID Female Sweat	Die Cast, Chrome	25	9.1



<b>Compression Male Sweat Waste Connectors</b>					
202A	026613056128	1-1/4" OD Tube x 1-1/4" OD Male Sweat	Die Cast, Rough	25	7.4
202D	026613056159	1-1/4" OD Tube x 1-1/4" OD Male Sweat	Brass, Chrome	25	8.0
204C	026613056227	1-1/4" OD Tube x 1-1/2" OD Male Sweat	Brass, Rough	25	8.0
203A	026613056166	1-1/2" OD Tube x 1-1/2" OD Male Sweat	Die Cast, Rough	25	8.7



<b>Compression Slip Nuts</b>					
90A	026613056258	1-1/4" OD Tube x 1-1/4" FIP	Die Cast, Rough	250	10.5
90B	026613056272	1-1/4" OD Tube x 1-1/4" FIP	Die Cast, Chrome	250	13.8





PART NO.	UPC	DESCRIPTION	FINISH	QTY	LBS
----------	-----	-------------	--------	-----	-----

### Compression Slip Nuts (cont.)

96A	026613056449	1-1/2" OD Tube x 1-1/2" FIP	Die Cast, Rough	400	21.5
96B	026613056470	1-1/2" OD Tube x 1-1/2" FIP	Die Cast, Chrome	150	8.9
90C	026613056296	1-1/4" OD Tube x 1-1/4" FIP	Brass, Rough	100	6.9
90D	026613056302	1-1/4" OD Tube x 1-1/4" FIP	Brass, Chrome	500	34.3
97B	026613056586	1-1/4" OD Tube x 1-1/2" FIP	Die Cast, Chrome	400	25.2
94D	026613056418	1-3/8" OD Tube x 1-1/2" FIP	Brass, Chrome	350	35.0
96C	026613056494	1-1/2" OD Tube x 1-1/2" FIP	Brass, Rough	150	11.4
96D	026613056517	1-1/2" OD Tube x 1-1/2" FIP	Brass, Chrome	100	7.6



### Compression Rings

90	026613056241	1-1/4" OD Tube	Brass	200	3.0
96	026613056432	1-1/2" OD Tube	Brass	250	10.3
90P	026613056333	1-1/4" OD Tube	Polyethylene	400	1.6
96P	026613056548	1-1/2" OD Tube	Polyethylene	400	1.7
96R	026613056555	1-1/2" OD Tube	Rubber	100	1.1
96L	026613056531	1-1/2" OD Tube	Lead	400	24.0



### Compression Slip Nuts & Rubber Washers

96BR	026613056487	1-1/2" OD Tube x 1-1/2" FIP	Die Cast, Chrome	500	31.6
------	--------------	-----------------------------	------------------	-----	------



### Miscellaneous

BC9441	026613012360	Dishwasher Air Gap 5/8" OD Inlet x 7/8" OD Outlet		10	3.4
--------	--------------	---	--	----	-----





PART NO.	UPC	DESCRIPTION	FINISH	QTY	LBS
<b>Multi-Turn Supply Stop Components</b>					
SJ307	026613041872	Washer for Slip Joint Stops 3/8" OD	Rubber	25	0.0
R15-5	026613041643	Bib Washer	Rubber	25	0.0
R10-2+5	026613041551	Stem & Bib Washer for Straight Stop	Brass	25	1.0
R15S-2+5 R	026613041735	Stem & Bib Washer for Angle Stop	Brass	25	1.3
R15S-2P+5	026613041742	Stem & Bib Washer for Angle or Straight Stop	P.O.M.	25	0.2
S15S-2+5TP	026613041797	Stem & Bib Washer for Loose Key Stop	Brass	25	1.4
R15S-3 C	026613041759	Bonnet Nut for Oval Handle	Chrome	25	0.4
S15S-3 C	026613041810	Bonnet Nut for Loose Key	Chrome	25	1.0
S15S-3 R	026613041827	Bonnet Nut for Loose Key	Rough	25	1.0
R15-78F	026613041681	Bonnet Packing	Rubber	25	0.0
R15-6P	026613041667	Thrust Washer	P.O.M.	25	0.0
R15-10T C	026613002132	Oval Handle	Zinc/ Chrome	25	0.8
R15-10T R	026613041605	Oval Handle	Zinc/ Rough	25	0.7
R15-10TP C	026613134765	Oval Handle	ABS/ Chrome	25	0.2
X15-10 C	026613042022	Cross Handle	Brass/ Chrome	25	2.1
XXR15-10R C	026613042046	Round Handle	Brass/ Chrome	25	1.5
XXR15-10R R	026613042053	Round Handle	Brass/ Rough	25	1.5
S15-10 C	026613041780	Loose Key	Zinc/ Rough	25	1.2
R15-9 C	026613041704	Screw for Stop Handles	Steel/Zinc	25	0.1
KT15-9 C	026613107806	Screw for KT Ball Stop Handle	Steel/Zinc	25	0.0





PART NO.	UPC	DESCRIPTION	FINISH	QTY	LBS
<b>Multi-Turn &amp; 1/4 TURN BALL Supply Stop Components</b>					
LKC	026613051215	Cap for Multi-Turn & KT Series Loose Key/Screwdriver Slot Stops	Chrome	15	0.1

### Compression Nuts



61-4	026613006055	1/4" OD Tube	Rough	10	0.1
61-4 C	026613066783	1/4" OD Tube	Chrome	10	0.1
61-6	026613006079	3/8" OD Tube	Rough	10	0.2
61-6 C	026613066868	3/8" OD Tube	Chrome	10	0.2
61-7	026613066080	7/16" OD Tube	Rough	10	0.2
61-7 C	026613066097	7/16" OD Tube	Chrome	10	0.2
61-8	026613006086	1/2" OD Tube	Rough	10	0.4
61-8 C	026613066936	1/2" OD Tube	Chrome	10	0.4
61-10	026613006093	5/8" OD Tube	Rough	5	0.2
61-10 C	026613066660	5/8" OD Tube	Chrome	5	0.2

### Compression Sleeves



60-4	026613005928	For 1/4" OD Tube	Brass	10	0.0
60-6	026613005942	For 3/8" OD Tube	Brass	10	0.0
60-7	026613005959	For 7/16" OD Tube	Brass	10	0.0
60-8	026613005966	For 1/2" OD Tube	Brass	10	0.1
60-10	026613005973	For 5/8" OD Tube	Brass	5	0.0

### Compression Sleeves for Plastic Tube



60PT-4	026613005997	For 1/4" OD Tube	Plastic	10	0.0
60PT-5	026613006000	For 5/16" OD Tube	Plastic	10	0.0
60PT-6	026613006017	For 3/8" OD Tube	Plastic	10	0.0
60PT-8	026613006024	For 1/2" OD Tube	Plastic	10	0.0
60PT-10	026613006031	For 5/8" OD Tube	Plastic	10	0.0

### Brass Inserts for Nylon & Plastic Hose



63PT-10X	026613152851	For 5/8" OD Tube	Brass	10	0.1
63PT-4X	026613152868	For 1/4" OD Tube	Brass	10	0.0
63PT-6X	026613152875	For 3/8" OD Tube	Brass	10	0.1
63PT-8X	026613147956	For 1/2" OD Tube	Brass	10	0.0

### Compression Sleeves for Plastic Tube



TS-6X	026613107110	For 3/8" Nom Tube	Steel	10	0.1
TS-8X	026613097541	For 1/2" Nom Tube	Steel	10	0.1

### ΔCPVC Solvent Weld Components



NSWRA1	026613041360	1/2" Nom Insert and Seal		5	0.0
NSWN-1 C	026613058382	1/2" Nom Nut	Chrome	5	0.3
NSWN-1 R	026613058399	1/2" Nom Nut	Rough	5	0.3
NSWN-2 C	026613093871	3/4" Nom Nut	Chrome	5	0.8

Δ CPVC pre-torqued fittings eliminate the need for tightening on the job.

# COMPONENT PARTS

PART NO.	UPC	DESCRIPTION	FINISH	QTY	LBS
<b>Riser Component Parts - Faucet</b>					
1AX	026613152820	3/8" Nosepiece (for tube solder application)	Brass	25	0.5
01W	026613041032	Cone Washer for 3/8" OD Tube	Rubber	25	0.1
R15-6	026613041650	Thrust Washer	Brass	25	0.1
004X	026613041018	Friction Ring for 27/32" OD Risers	Brass	25	0.0
SJ300 C	026613067209	Faucet Shank Nut	Brass/ Chrome	25	0.9
SJ300 R	026613067216	Faucet Shank Nut	Brass/ Rough	25	0.9



<b>Riser Component Parts - Toilet</b>					
1DL	026613003832	Nosepiece for 3/8" OD Tube	Plastic	25	0.1
3DL	026613041278	Nosepiece for 1/2" OD Tube	Plastic	25	0.0
1DE	026613041193	Cone Washer and Tube Insert for 3/8" OD Tube Heavy Nosepiece	Rubber	25	0.2
01E	026613041025	Cone Washer for 3/8" OD Tube	Rubber	25	0.1
03E	026613041056	Cone Washer for 1/2" OD Tube	Rubber	25	0.1
SC	026613041841	Cone Washer for 7/16" Corr-O-Flex Tube	Rubber	25	0.2
001E	026613034010	Friction Ring for 3/8" OD Toilet Risers	Brass	25	0.3
003E	026613040998	Friction Ring for 1/2" OD Toilet Risers	Brass	25	0.0



PART NO.	UPC	DESCRIPTION	FINISH	QTY	LBS
----------	-----	-------------	--------	-----	-----

### Shallow Escutcheons



646	026613056883	3/8" IP Shallow (.680 ID)	Stainless Steel	300	7.9
647	026613056906	1/2" IP Shallow (.840 ID)	Stainless Steel	300	6.1
653 C	026613056968	3/8" Nom (1/2" OD) Shallow (.500 ID)	Chrome	300	6.0
649	026613056920	1/2" Nom (5/8" OD) Shallow (.625 ID)	Stainless Steel	300	6.1

### Bell Escutcheons



650 C	026613081786	3/8" IP (11/16" OD) Bell (.687 ID)	Chrome	250	8.7
651 C	026613056944	1/2" IP Bell (.844 ID)	Chrome	300	10.7
654 C	026613056975	1/2" Nom (5/8" OD) Bell (.630 ID)	Chrome	300	10.5
657 C	026613056982	9/16" OD Bell (.562 ID)	Chrome	300	10.5

### Cast Brass Escutcheons With Set Screw



CB646 C	026613057040	3/8" IP Shallow	Chrome	300	36.0
CB647 C	026613057057	1/2" IP Shallow	Chrome	300	35.7
CB649 C	026613057064	1/2" Nom (5/8" OD) Shallow	Chrome	300	35.2
CB650 C	026613057071	11/16" OD Shallow	Chrome	300	36.0

### Chrome Plated Brass Cover Tubes



8489 C	026613056999	3-1/2" Length for 1/2" Nom Copper Tube Use 650 C Bell Escutcheon	Chrome	100	5.9
8491 C	026613057019	36" Length for 1/2" Nom Copper Tube Use 650 C Bell Escutcheon	Chrome	40	26.7

### Faucet Tailpieces



56825X C	026613157535	Straight Faucet Tailpiece 1/4" MIP x 1-1/2"	Chrome	500	31.9
56825X R	026613157542	Straight Faucet Tailpiece 1/4" MIP x 1-1/2"	Rough	500	31.7

## SPECIAL FINISH™

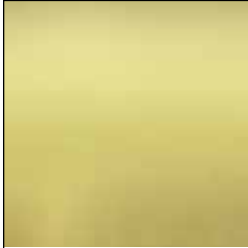
Decorative Plumbing  
Products and  
Accessories



SPECIAL FINISH WATER SUPPLIES



## Finishes Available



**Polished Brass PVD**  
Suffix "BRL"



**Polished Brass**  
Suffix "P"



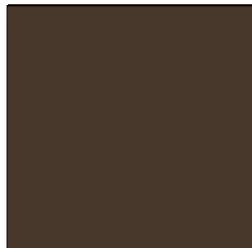
**Polished Nickel**  
Suffix "NP"



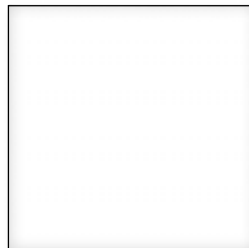
**Stainless Steel PVD**  
Suffix "SS"



**Satin Nickel**  
Suffix "NS"



**Oil Rubbed Bronze**  
Suffix "BZ"



**White**  
Suffix "W"

*All Special Finish Orders Are Non-Cancellable & Non-Returnable*



# SPECIAL FINISH WATER SUPPLIES

PART NO.	UPC	DESCRIPTION	FINISH	QTY	LBS
----------	-----	-------------	--------	-----	-----

## Compression x Compression Stop - Angle

XKTCR19X BZ	026613152448	1/2" Nom Comp x 3/8" OD Comp With Cross Handle	Oil Rubbed Bronze	20	9.4
XKTCR19X NS	026613152455	1/2" Nom Comp x 3/8" OD Comp With Cross Handle	Satin Nickel	20	9.8



## Compression x Compression Stop - Straight

XKTCR14X BZ	026613152424	1/2" Nom Comp x 3/8" OD Comp With Cross Handle	Oil Rubbed Bronze	20	9.0
XKTCR14X NS	026613152431	1/2" Nom Comp x 3/8" OD Comp With Cross Handle	Satin Nickel	20	9.4



## Δ CPVC Solvent Weld x Compression - Angle

XKTTPR19X BZ	026613152547	1/2" Nom CPVC x 3/8" OD Comp With Cross Handle	Oil Rubbed Bronze	20	9.5
XKTTPR19X NS	026613152554	1/2" Nom CPVC x 3/8" OD Comp With Cross Handle	Satin Nickel	20	9.9



## Δ CPVC Solvent Weld x Compression - Straight

XKTTPR14X BZ	026613152523	1/2" Nom CPVC x 3/8" OD Comp With Cross Handle	Oil Rubbed Bronze	20	9.1
XKTTPR14X NS	026613152530	1/2" Nom CPVC x 3/8" OD Comp With Cross Handle	Satin Nickel	20	9.6



## Sweat x Compression - Angle With 5" Sweat Extension Tube

XKTCS40BX BZ	026613152486	1/2" Nom Sweat x 3/8" OD Comp With Cross Handle and Bell Escutcheon	Oil Rubbed Bronze	30	18.4
XKTCS40BX NS	026613152493	1/2" Nom Sweat x 3/8" OD Comp With Cross Handle and Bell Escutcheon	Satin Nickel	30	19.0



## Sweat x Compression - Straight With 5" Sweat Extension Tube

XKTCS41BX BZ	026613152509	1/2" Nom Sweat x 3/8" OD Comp With Cross Handle and Bell Escutcheon	Oil Rubbed Bronze	30	18.5
XKTCS41BX NS	026613152516	1/2" Nom Sweat x 3/8" OD Comp With Cross Handle and Bell Escutcheon	Satin Nickel	30	19.2



Δ CPVC pre-torqued fittings eliminate the need for tightening on the job.

PART NO.	UPC	DESCRIPTION	FINISH	QTY	LBS
----------	-----	-------------	--------	-----	-----

### Compression x Compression - Angle



OCR19X NS	026613150352	1/2" Nom Comp x 3/8" OD Comp	Satin Nickel	20	5.1
OCR19X BZ	026613150338	1/2" Nom Comp x 3/8" OD Comp	Oil Rubbed Bronze	20	5.1
OCR19X NP	026613150345	1/2" Nom Comp x 3/8" OD Comp	Polished Nickel	20	5.2
OCR19X P	026613150369	1/2" Nom Comp x 3/8" OD Comp	Polished Brass	20	5.1
XCR19X NS1	026613152271	1/2" Nom Comp x 3/8" OD Comp With Cross Handle	Satin Nickel	20	8.5
XCR19X BZ1	026613152257	1/2" Nom Comp x 3/8" OD Comp With Cross Handle	Oil Rubbed Bronze	20	8.5
XCR19X NP1	026613152264	1/2" Nom Comp x 3/8" OD Comp With Cross Handle	Polished Nickel	20	8.5
XCR19X P1	026613152288	1/2" Nom Comp x 3/8" OD Comp With Cross Handle	Polished Brass	20	7.9



### Compression x Compression - Straight



OCR14X NS	026613150307	1/2" Nom Comp x 3/8" OD Comp	Satin Nickel	20	6.0
OCR14X BZ	026613150284	1/4" Nom Comp x 3/8" OD Comp	Oil Rubbed Bronze	20	6.1
OCR14X NP	026613150291	1/2" Nom Comp x 3/8" OD Comp	Polished Nickel	20	6.1
OCR14X P	026613150314	1/2" Nom Comp x 3/8" OD Comp	Polished Brass	20	6.0
XCR14X NS1	026613152233	1/2" Nom Comp x 3/8" OD Comp With Cross Handle	Satin Nickel	20	9.4
XCR14X BZ1	026613152219	1/2" Nom Comp x 3/8" OD Comp With Cross Handle	Oil Rubbed Bronze	20	9.4
XCR14X NP1	026613152226	1/2" Nom Comp x 3/8" OD Comp With Cross Handle	Polished Nickel	20	9.4
XCR14X P1	026613152240	1/2" Nom Comp x 3/8" OD Comp With Cross Handle	Polished Brass	20	8.8



### FIP x Compression - Angle



OR15X NS	026613150628	3/8" FIP x 3/8" OD Comp	Satin Nickel	20	4.3
OR15X BZ	026613150604	3/8" FIP x 3/8" OD Comp	Oil Rubbed Bronze	20	4.3
OR15X NP	026613150611	3/8" FIP x 3/8" OD Comp	Polished Nickel	20	4.4
OR15X P	026613150635	3/8" FIP x 3/8" OD Comp	Polished Brass	20	4.3



PART NO.	UPC	DESCRIPTION	FINISH	QTY	LBS
<b>FIP x Compression - Angle (cont.)</b>					
OR17X NS	026613150680	1/2" FIP x 3/8" OD Comp	Satin Nickel	20	5.1
OR17X BZ	026613150666	1/2" FIP x 3/8" OD Comp	Oil Rubbed Bronze	20	5.1
OR17X NP	026613150673	1/2" FIP x 3/8" OD Comp	Polished Nickel	20	5.1
OR17X P	026613150697	1/2" FIP x 3/8" OD Comp	Polished Brass	20	5.1
XR15X NS1	026613152677	3/8" FIP x 3/8" OD Comp With Cross Handle	Satin Nickel	20	7.7
XR15X BZ1	026613152646	3/8" FIP x 3/8" OD Comp With Cross Handle	Oil Rubbed Bronze	20	7.7
XR15X NP1	026613152660	3/8" FIP x 3/8" OD Comp With Cross Handle	Polished Nickel	20	7.7
XR15X P1	026613152684	3/8" FIP x 3/8" OD Comp With Cross Handle	Polished Brass	20	7.1
XR17X NS1	026613152714	1/2" FIP x 3/8" OD Comp With Cross Handle	Satin Nickel	20	8.4
XR17X BZ1	026613152691	1/2" FIP x 3/8" OD Comp With Cross Handle	Oil Rubbed Bronze	20	8.4
XR17X NP1	026613152707	1/2" FIP x 3/8" OD Comp With Cross Handle	Polished Nickel	20	8.4
XR17X P1	026613152721	1/2" FIP x 3/8" OD Comp With Cross Handle	Polished Brass	20	7.8



## FIP x Compression - Straight

OR10X NS	026613150550	3/8" FIP x 3/8" OD Comp	Satin Nickel	20	5.3
OR10X BZ	026613150543	3/8" FIP x 3/8" OD Comp	Oil Rubbed Bronze	20	5.3
OR12X NS	026613150581	1/2" FIP x 3/8" OD Comp	Satin Nickel	20	6.1
OR12X BZ	026613150574	1/2" FIP x 3/8" OD Comp	Oil Rubbed Bronze	20	6.1
XR10X NS1	026613152615	3/8" FIP x 3/8" OD Comp With Cross Handle	Satin Nickel	20	8.6
XR10X BZ1	026613152608	3/8" FIP x 3/8" OD Comp With Cross Handle	Oil Rubbed Bronze	20	8.6
XR12X NS1	026613152639	1/2" FIP x 3/8" OD Comp With Cross Handle	Satin Nickel	20	9.4
XR12X BZ1	026613152622	1/2" FIP x 3/8" OD Comp With Cross Handle	Oil Rubbed Bronze	20	9.4



PART NO.	UPC	DESCRIPTION	FINISH	QTY	LBS
----------	-----	-------------	--------	-----	-----

### Sweat x Compression - Angle With 5" Sweat Extension Tube

CS40BX NS	026613149363	1/2" Nom Sweat x 3/8" OD Comp With Bell Escutcheon	Satin Nickel	30	13.0
-----------	--------------	--	--------------	----	------



CS40BX BZ	026613149332	1/2" Nom Sweat x 3/8" OD Comp With Bell Escutcheon	Oil Rubbed Bronze	30	12.8
-----------	--------------	--	-------------------	----	------

CS40BX BRL	026613149325	1/2" Nom Sweat x 3/8" OD Comp With Bell Escutcheon	Polished Brass PVD	30	13.0
------------	--------------	--	--------------------	----	------

CS40BX NP	026613149356	1/2" Nom Sweat x 3/8" OD Comp With Bell Escutcheon	Polished Nickel	30	12.6
-----------	--------------	--	-----------------	----	------

XCS40BX NS	026613152356	1/2" Nom Sweat x 3/8" OD Comp With Cross Handle and Bell Escutcheon	Satin Nickel	30	17.5
------------	--------------	---	--------------	----	------



XCS40BX BZ	026613152332	1/2" Nom Sweat x 3/8" OD Comp With Cross Handle and Bell Escutcheon	Oil Rubbed Bronze	30	17.4
------------	--------------	---	-------------------	----	------

XCS40BX BRL	026613152325	1/2" Nom Sweat x 3/8" OD Comp With Cross Handle and Bell Escutcheon	Polished Brass PVD	30	16.3
-------------	--------------	---	--------------------	----	------

XCS40BX NP	026613152349	1/2" Nom Sweat x 3/8" OD Comp With Cross Handle and Bell Escutcheon	Polished Nickel	30	17.2
------------	--------------	---	-----------------	----	------

### Sweat x Compression - Straight With 5" Sweat Extension Tube

CS41BX NS	026613149424	1/2" Nom Sweat x 3/8" OD Comp With Bell Escutcheon	Satin Nickel	30	13.8
-----------	--------------	--	--------------	----	------



CS41BX BZ	026613149394	1/2" Nom Sweat x 3/8" OD Comp With Bell Escutcheon	Oil Rubbed Bronze	30	13.7
-----------	--------------	--	-------------------	----	------

CS41BX BRL	026613149387	1/2" Nom Sweat x 3/8" OD Comp With Bell Escutcheon	Polished Brass PVD	30	13.4
------------	--------------	--	--------------------	----	------

CS41BX NP	026613149417	1/2" Nom Sweat x 3/8" OD Comp With Bell Escutcheon	Polished Nickel	30	13.8
-----------	--------------	--	-----------------	----	------

XCS41BX NS	026613152394	1/2" Nom Sweat x 3/8" OD Comp With Cross Handle and Bell Escutcheon	Satin Nickel	30	18.7
------------	--------------	---	--------------	----	------



XCS41BX BZ	026613152370	1/2" Nom Sweat x 3/8" OD Comp With Cross Handle and Bell Escutcheon	Oil Rubbed Bronze	30	18.7
------------	--------------	---	-------------------	----	------

XCS41BX BRL	026613152363	1/2" Nom Sweat x 3/8" OD Comp With Cross Handle and Bell Escutcheon	Polished Brass PVD	30	17.6
-------------	--------------	---	--------------------	----	------

XCS41BX NP	026613152387	1/2" Nom Sweat x 3/8" OD Comp With Cross Handle and Bell Escutcheon	Polished Nickel	30	18.7
------------	--------------	---	-----------------	----	------

### ΔCPVC Solvent Weld x Compression - Angle

PR19X NS	026613151250	1/2" Nom CPVC x 3/8" OD Comp	Satin Nickel	20	5.3
----------	--------------	------------------------------	--------------	----	-----



PR19X BZ	026613151236	1/2" Nom CPVC x 3/8" OD Comp	Oil Rubbed Bronze	20	5.3
----------	--------------	------------------------------	-------------------	----	-----

XPR19X NS1	026613152592	1/2" Nom CPVC x 3/8" OD Comp With Cross Handle	Satin Nickel	20	8.6
------------	--------------	--	--------------	----	-----



XPR19X BZ1	026613152585	1/2" Nom CPVC x 3/8" OD Comp With Cross Handle	Oil Rubbed Bronze	20	8.6
------------	--------------	--	-------------------	----	-----

Δ CPVC pre-torqued fittings eliminate the need for tightening on the job.

# SPECIAL FINISH WATER SUPPLIES

PART NO.	UPC	DESCRIPTION	FINISH	QTY	LBS
<b>Δ CPVC Solvent Weld x Compression - Straight</b>					
PR14X NS	026613151229	1/2" Nom CPVC x 3/8" OD Comp	Satin Nickel	20	6.2
PR14X BZ	026613151212	1/2" Nom CPVC x 3/8" OD Comp	Oil Rubbed Bronze	20	6.2
XPR14X NS1	026613152578	1/2" Nom CPVC x 3/8" OD Comp With Cross Handle	Satin Nickel	20	9.5
XPR14X BZ1	026613152561	1/2" Nom CPVC x 3/8" OD Comp With Cross Handle	Oil Rubbed Bronze	20	9.5



Δ CPVC pre-torqued fittings eliminate the need for tightening on the job.

PART NO.	UPC	DESCRIPTION	LENGTH	FINISH	QTY	LBS
<b>Faucet Riser - 1-Piece With Insert</b>						
1-12A NSP	026613124315	3/8" OD	12"	Satin Nickel	20	2.6
1-12A BZP	026613124308	3/8" OD	12"	Oil Rubbed Bronze	20	2.6
1-20A NSP	026613124438	3/8" OD	20"	Satin Nickel	20	4.2
1-20A BZP	026613124995	3/8" OD	20"	Oil Rubbed Bronze	20	4.2
1-20A PP	026613124490	3/8" OD	20"	Polished Brass	20	4.2
1-20A NPP	026613125657	3/8" OD	20"	Polished Nickel	20	4.2
1-30A NSP	026613124988	3/8" OD	30"	Satin Nickel	20	6.2
1-30A BZP	026613124452	3/8" OD	30"	Oil Rubbed Bronze	20	6.2



### Toilet With Gasket Nosepiece

1-12DL NSP	026613124476	3/8" OD	12"	Satin Nickel	20	2.5
1-12DL BZP	026613124469	3/8" OD	12"	Oil Rubbed Bronze	20	2.5
1-20DL NSP	026613124605	3/8" OD	20"	Satin Nickel	20	4.3
1-20DL BZP	026613124612	3/8" OD	20"	Oil Rubbed Bronze	20	4.2
1-20DL PP	026613124629	3/8" OD	20"	Polished Brass	20	4.3
1-20DL NPP	026613139388	3/8" OD	20"	Polished Nickel	20	4.2



### Toilet With Heavy Duty Rubber Nosepiece

1-12DE NSP	026613124346	3/8" OD	12"	Satin Nickel	20	2.6
1-12DE BZP	026613124339	3/8" OD	12"	Oil Rubbed Bronze	20	2.5
1-20DE NSP	026613124698	3/8" OD	20"	Satin Nickel	20	4.3
1-20DE BZP	026613124704	3/8" OD	20"	Oil Rubbed Bronze	20	4.2



PART NO.	UPC	DESCRIPTION	LENGTH	FINISH	QTY	LBS
----------	-----	-------------	--------	--------	-----	-----

## Faucet Supply Kit - 1/4 Turn Ball Compression x Compression - Angle

XKTCR1920AX NS	026613152479	1/2" Nom Comp x 3/8" OD Comp With Shallow Escutcheon	20"	Satin Nickel	20	32.8
XKTCR1920AX BZ	026613152462	1/2" Nom Comp x 3/8" OD Comp With Shallow Escutcheon	20"	Oil Rubbed Bronze	20	31.9



## Faucet Supply Kit - Compression x Compression - Angle

OCR1920AX BZ	026613150376	1/2" Nom Comp x 3/8" OD Comp With Shallow Escutcheon	20"	Oil Rubbed Bronze	20	23.5
OCR1920AX NS	026613150383	1/2" Nom Comp x 3/8" OD Comp With Shallow Escutcheon	20"	Satin Nickel	20	23.5
XCR1920AX BZ	026613152301	1/2" Nom Comp x 3/8" OD Comp With Cross Handle and Shallow Escutcheon	20"	Oil Rubbed Bronze	20	30.8
XCR1920AX NS	026613152318	1/2" Nom Comp x 3/8" OD Comp With Cross Handle and Shallow Escutcheon	20"	Satin Nickel	20	30.8



## Toilet Supply Kit - 1/4 Turn Ball Compression x Compression - Angle

XKTCR1912DLX BZ	026613154664	1/2" Nom Comp x 3/8" OD Comp With Shallow Escutcheon	12"	Oil Rubbed Bronze	20	15.1
XKTCR1912DLX NS	026613154633	1/2" Nom Comp x 3/8" OD Comp With Shallow Escutcheon	12"	Satin Nickel	20	15.5



## Toilet Supply Kit - Compression x Compression - Angle

OCR1912DLX BZ	026613154770	1/2" Nom Comp x 3/8" OD Comp With Shallow Escutcheon	12"	Oil Rubbed Bronze	20	10.9
OCR1912DLX NS	026613154787	1/2" Nom Comp x 3/8" OD Comp With Shallow Escutcheon	12"	Satin Nickel	20	10.9
OCR1920DLX NS	026613154701	1/2" Nom Comp x 3/8" OD Comp With Shallow Escutcheon	20"	Satin Nickel	20	14.1
OCR1920DLX BZ	026613154695	1/2" Nom Comp x 3/8" OD Comp With Shallow Escutcheon	20"	Oil Rubbed Bronze	20	14.0
XCR1920DLX NS	026613154671	1/2" Nom Comp x 3/8" OD Comp With Cross Handle and Shallow Escutcheon	20"	Satin Nickel	20	17.7
XCR1920DLX BZ	026613154657	1/2" Nom Comp x 3/8" OD Comp With Cross Handle and Shallow Escutcheon	20"	Oil Rubbed Bronze	20	17.7



PART NO.	UPC	DESCRIPTION	FINISH	QTY	LBS
<b>Compression Nuts</b>					
61-6 NSH	026613124131	3/8" OD Comp	Satin Nickel	20	1.3
61-6 BZH	026613124148	3/8" OD Comp	Oil Rubbed Bronze	20	1.4
61-6 PH	026613124155	3/8" OD Comp	Polished Brass	20	1.3
61-6 NPH	026613139494	3/8" OD Comp	Polished Nickel	20	1.4



<b>Stop Handles</b>					
R15-10T NSH	026613124070	Oval Handle	Satin Nickel	20	1.9
R15-10T BZH	026613124087	Oval Handle	Oil Rubbed Bronze	20	1.9
R15-10T PH	026613124094	Oval Handle	Polished Brass	20	1.8
R15-10T NPH	026613139517	Oval Handle	Polished Nickel	20	1.8
XKT15-10 NSH	026613137308	Cross Handle for 1/4 Turn Stops	Satin Nickel	20	4.5
XKT15-10 BZH	026613137315	Cross Handle for 1/4 Turn Stops	Oil Rubbed Bronze	20	4.1
X15-10 NSH	026613124117	Cross Handle for Multi Turn Stops	Satin Nickel	20	4.2
X15-10 BZH	026613124100	Cross Handle for Multi Turn Stops	Oil Rubbed Bronze	20	4.2
X15-10 PH	026613124124	Cross Handle for Multi Turn Stops	Polished Brass	20	4.2
X15-10 NPH	026613139432	Cross Handle for Multi Turn Stops	Polished Nickel	20	4.2



<b>Escutcheons</b>					
646 NS	026613124780	3/8" IP Shallow Escutcheon	Satin Nickel	20	0.8
646 BZ	026613124797	3/8" IP Shallow Escutcheon	Oil Rubbed Bronze	20	1.0
646 P	026613057095	3/8" IP Shallow Escutcheon	Polished Brass	20	0.9
646 NP	026613136974	3/8" IP Shallow Escutcheon	Polished Nickel	20	0.8
647 NS	026613124803	1/2" IP Shallow Escutcheon	Satin Nickel	20	0.9
647 BZ	026613124810	1/2" IP Shallow Escutcheon	Oil Rubbed Bronze	20	0.9
647 P	026613057101	1/2" IP Shallow Escutcheon	Polished Brass	20	0.9



# SPECIAL FINISH WATER SUPPLIES

PART NO.	UPC	DESCRIPTION	FINISH	QTY	LBS
<b>Escutcheons (cont.)</b>					
647 NP	026613137247	1/2" IP Shallow Escutcheon	Polished Nickel	20	0.9
649 NS	026613124827	1/2" Nom Shallow Escutcheon	Satin Nickel	20	1.0
649 BZ	026613124834	1/2" Nom Shallow Escutcheon	Oil Rubbed Bronze	20	0.9
649 P	026613057125	1/2" Nom Shallow Escutcheon	Polished Brass	20	0.9
649 NP	026613137254	1/2" Nom Shallow Escutcheon	Polished Nickel	20	1.0
650 NS	026613124865	11/16" OD (3/8" IP) Bell Escutcheon	Satin Nickel	20	1.2
650 BZ	026613124872	11/16" OD (3/8" IP) Bell Escutcheon	Oil Rubbed Bronze	20	1.2
650 P	026613057132	11/16" OD (3/8" IP) Bell Escutcheon	Polished Brass	20	1.1
650 NP	026613137261	11/16" OD (3/8" IP) Bell Escutcheon	Polished Nickel	20	1.2
651 NS	026613124889	1/2" IP Bell Escutcheon	Satin Nickel	20	1.2
651 BZ	026613124896	1/2" IP Bell Escutcheon	Oil Rubbed Bronze	20	1.2
654 NS	026613124902	1/2" Nom Bell Escutcheon	Satin Nickel	20	1.1
654 BZ	026613124919	1/2" Nom Bell Escutcheon	Oil Rubbed Bronze	20	1.4



PART NO.	UPC	DESCRIPTION	LENGTH	FINISH	QTY	LBS
<b>Cover Tubes</b>						
8489 NSH	026613123745	1/2" Nom	3 1/2"	Satin Nickel	20	2.7
8489 BZH	026613123738	1/2" Nom	3 1/2"	Oil Rubbed Bronze	20	2.7
8489 PH	026613123752	1/2" Nom	3 1/2"	Polished Brass	20	2.7
8489 NPH	026613137506	1/2" Nom	3 1/2"	Polished Nickel	20	2.7



### Pipe Nipples

113-06-4X BZH	026613145624	3/8" MIP	4"	Oil Rubbed Bronze	20	4.5
113-06-4X NPH	026613145631	3/8" MIP	4"	Polished Nickel	20	4.5
113-06-4X NSH	026613145648	3/8" MIP	4"	Satin Nickel	20	4.5
113-06-4X PH	026613145655	3/8" MIP	4"	Polished Brass	20	4.5
113-06-6X BZH	026613145716	3/8" MIP	6"	Oil Rubbed Bronze	20	7.5
113-08-4X BZH	026613145846	1/2" MIP	4"	Oil Rubbed Bronze	20	6.3
113-08-4X NPH	026613145853	1/2" MIP	4"	Polished Nickel	20	6.4
113-08-4X NSH	026613145860	1/2" MIP	4"	Satin Nickel	20	6.8
113-08-4X PH	026613145877	1/2" MIP	4"	Polished Brass	20	6.8
113-08-6X BZH	026613145952	1/2" MIP	6"	Oil Rubbed Bronze	20	7.8
113-08-6X NSH	026613145969	1/2" MIP	6"	Satin Nickel	20	8.8





PART NO.	UPC	DESCRIPTION	FINISH	QTY	LBS
<b>P-Traps With Box Escutcheons</b>					
BC7100 NS	026613123783	1-1/4" OD Brass J-Bend With 17 GA. Wall Bend & Cast Brass Nuts	Satin Nickel	20	27.0
BC7100 BZ	026613123776	1-1/4" OD Brass J-Bend With 17 GA. Wall Bend & Cast Brass Nuts	Oil Rubbed Bronze	20	24.4
BC7100 P	026613123790	1-1/4" OD Brass J-Bend With 17 GA. Wall Bend & Cast Brass Nuts	Polished Brass	20	27.0
BC7100 NP	026613137278	1-1/4" OD Brass J-Bend With 17 GA. Wall Bend & Cast Brass Nuts	Polished Nickel	20	23.9
BC7111 NS	026613123677	1-1/2" OD Brass J-Bend With 17 GA. Wall Bend & Cast Brass Nuts	Satin Nickel	20	32.4
BC7111 BZ	026613123660	1-1/2" OD Brass J-Bend With 17 GA. Wall Bend & Cast Brass Nuts	Oil Rubbed Bronze	20	28.7
BC7111 P	026613123684	1-1/2" OD Brass J-Bend With 17 GA. Wall Bend & Cast Brass Nuts	Polished Brass	20	31.5
BC7111 NP	026613137285	1-1/2" OD Brass J-Bend With 17 GA. Wall Bend & Cast Brass Nuts	Polished Nickel	20	28.7



<b>P-Traps</b>					
BC7100F NS	026613123646	1-1/4" OD Brass J-Bend With 17 GA. Wall Bend & Cast Brass Nuts	Satin Nickel	20	23.9
BC7100F BZ	026613123639	1-1/4" OD Brass J-Bend With 17 GA. Wall Bend & Cast Brass Nuts	Oil Rubbed Bronze	20	23.9
BC7111F NS	026613123608	1-1/2" OD Brass J-Bend With 17 GA. Wall Bend & Cast Brass Nuts	Satin Nickel	20	28.7
BC7111F BZ	026613123615	1-1/2" OD Brass J-Bend With 17 GA. Wall Bend & Cast Brass Nuts	Oil Rubbed Bronze	20	28.7



<b>High Box Escutcheons</b>					
661BX NSH	026613124278	1-1/4" OD x 1-1/4" ID x 3" OD x 1-3/4" Height	Satin Nickel	20	5.5
661BX BZH	026613124285	1-1/4" OD x 1-1/4" ID x 3" OD x 1-3/4" Height	Oil Rubbed Bronze	20	3.6
668BX NSH	026613124247	1-1/2" OD x 1-1/2" ID x 3" OD x 1-3/4" Height	Satin Nickel	20	5.5
668BX BZH	026613124254	1-1/2" OD x 1-1/2" ID x 3" OD x 1-3/4" Height	Oil Rubbed Bronze	20	3.6





PART NO.	UPC	DESCRIPTION	FINISH	QTY	LBS
<b>Dishwasher Air Gaps With Brass Cap</b>					
BC9441 NS	026613123844	5/8" OD Tube x 7/8" OD Tube Plastic Body	Satin Nickel	20	6.7
BC9441 BZ	026613123837	5/8" OD Tube x 7/8" OD Tube Plastic Body	Oil Rubbed Bronze	20	6.7
BC9441 SS	026613123851	5/8" OD Tube x 7/8" OD Tube Plastic Body	Stainless Steel PVD	20	7.8
BC9441 W	026613123868	5/8" OD Tube x 7/8" OD Tube Plastic Body	White	20	6.5



PART NO.	UPC	DESCRIPTION	FINISH	QTY	LBS
<b>Sink Hole Covers With Bolt &amp; Wing Nut</b>					
BC7120 NS	026613122793	2" Diameter. Fits Standard Sinks	Satin Nickel	20	3.5
BC7120 BZ	026613122113	2" Diameter. Fits Standard Sinks	Oil Rubbed Bronze	20	3.2
BC7120 SS	026613122120	2" Diameter. Fits Standard Sinks	Stainless Steel PVD	20	3.5
BC7120 W	026613122137	2" Diameter. Fits Standard Sinks	White	20	3.2



PART NO.	UPC	DESCRIPTION	FINISH	QTY	LBS
<b>Garbage Disposal Accessories - Brass</b>					
BC7125 NS	026613122199	Garbage Disposal Flange; Fits In-Sink-Erator, KitchenAid, Emerson, Kenmore and Grainger	Satin Nickel	20	7.0
BC7125 BZ	026613122182	Garbage Disposal Flange; Fits In-Sink-Erator, KitchenAid, Emerson, Kenmore and Grainger	Oil Rubbed Bronze	20	7.1
BC7125 SS	026613122205	Garbage Disposal Flange; Fits In-Sink-Erator, KitchenAid, Emerson, Kenmore and Grainger	Stainless Steel PVD	20	6.8
BC7125 W	026613122212	Garbage Disposal Flange; Fits In-Sink-Erator, KitchenAid, Emerson, Kenmore and Grainger	White	20	7.2
BC7130 NS	026613122366	Garbage Disposal Stopper; Fits BC7125	Satin Nickel	20	4.0
BC7130 BZ	026613122359	Garbage Disposal Stopper; Fits BC7125	Oil Rubbed Bronze	20	3.9
BC7130 SS	026613122373	Garbage Disposal Stopper; Fits BC7125	Stainless Steel PVD	20	4.0
BC7130 W	026613122380	Garbage Disposal Stopper; Fits BC7125	White	20	3.8



PART NO.	UPC	DESCRIPTION	FINISH	QTY	LBS
<b>Disposal Kits</b>					
BC7131 NS	026613137674	Garbage Disposal Flange and Stopper Kit; Fits In-Sink-Erator, KitchenAid, Emerson, Kenmore and Grainger	Satin Nickel	20	8.0
BC7131 BZ	026613137643	Garbage Disposal Flange and Stopper Kit; Fits In-Sink-Erator, KitchenAid, Emerson, Kenmore and Grainger	Oil Rubbed Bronze	20	8.2
BC7131 SS	026613137650	Garbage Disposal Flange and Stopper Kit; Fits In-Sink-Erator, KitchenAid, Emerson, Kenmore and Grainger	Stainless Steel PVD	20	7.2
BC7131 W	026613137667	Garbage Disposal Flange and Stopper Kit; Fits In-Sink-Erator, KitchenAid, Emerson, Kenmore and Grainger	White	20	8.2

# SPECIAL FINISH WATER SUPPLIES

PART NO.	UPC	DESCRIPTION	FINISH	QTY	LBS
<b>Large Basket Strainers With Nuts &amp; Washers - Brass</b>					
BC7145 NS	026613122595	3-1/2" Wing Nut Locking Style Basket	Satin Nickel	20	24.1
BC7145 BZ	026613122588	3-1/2" Wing Nut Locking Style Basket	Oil Rubbed Bronze	20	24.0
BC7145 SS	026613122601	3-1/2" Wing Nut Locking Style Basket	Stainless Steel PVD	20	22.9
BC7145 W	026613122618	3-1/2" Wing Nut Locking Style Basket	White	20	24.0
BC7150 NS	026613122663	3-1/2" Post Style Basket	Satin Nickel	20	23.0
BC7150 BZ	026613122656	3-1/2" Post Style Basket	Oil Rubbed Bronze	20	22.2
BC7150 SS	026613122670	3-1/2" Post Style Basket	Stainless Steel PVD	20	21.4
BC7150 W	026613122687	3-1/2" Post Style Basket	White	20	22.3



PART NO.	UPC	DESCRIPTION	FINISH	QTY	LBS
----------	-----	-------------	--------	-----	-----

### Tub Drain Grills With Screws



BC7215 NS	026613123394	Gerber-Type Strainer	Satin Nickel	20	2.2
BC7215 BZ	026613123387	Gerber-Type Strainer	Oil Rubbed Bronze	20	2.2

### Shower Strainers



BC7225 NS	026613123455	4-1/4" OD (2-7/8" Prong to Prong.)	Satin Nickel	20	5.5
BC7225 BZ	026613123448	4-1/4" OD (2-7/8" Prong to Prong.)	Oil Rubbed Bronze	20	6.0



BC7226 NS	026613137551	Solid Brass Strainer for; Plastic Oddities, Prier Brass, Richmond Foundry, Sioux Chief, Jones Stephens, C.P. Industries and Rapidfit Shower Drains. 4" diameter, 3-3/8" Center to Center Screw Holes	Satin Nickel	20	3.9
BC7226 BZ	026613137544	Solid Brass Strainer for; Plastic Oddities, Prier Brass, Richmond Foundry, Sioux Chief, Jones Stephens, C.P. Industries and Rapidfit Shower Drains. 4" diameter, 3-3/8" Center to Center Screw Holes	Oil Rubbed Bronze	20	3.8

### Overflow Face Plates With Screws - 2 Hole



BC7220 NS	026613123424	Trip-Lever for Drain Control	Satin Nickel	20	7.8
BC7220 BZ	026613123417	Trip-Lever for Drain Control	Oil Rubbed Bronze	20	7.8

### Overflow Face Plates With Bracket & Screw - 1 Hole



BC7221 NS	026613137353	One Hole Faceplate	Satin Nickel	20	5.4
BC7221 BZ	026613137360	One Hole Faceplate	Oil Rubbed Bronze	20	5.4

### Overflow Face Plates With Screws - 2 Hole



BC7222 NS	026613137629	Two Hole Faceplate	Satin Nickel	20	5.5
BC7222 BZ	026613137636	Two Hole Faceplate	Oil Rubbed Bronze	20	5.4

### 1 Hole Lift & Turn Drain Kits With Bracket & Screw



BC7223 NS	026613137322	Lift & Turn Drain Kit with One Hole Faceplate, 1-1/2" IPS Coarse Thread	Satin Nickel	20	15.2
BC7223 BZ	026613137339	Lift & Turn Drain Kit with One Hole Faceplate, 1-1/2" IPS Coarse Thread	Oil Rubbed Bronze	20	14.7
BC7223 P	026613137537	Lift & Turn Drain Kit with One Hole Faceplate, 1-1/2" IPS Coarse Thread	Polished Brass	20	14.9
BC7223 NP	026613137346	Lift & Turn Drain Kit with One Hole Faceplate, 1-1/2" IPS Coarse Thread	Polished Nickel	20	14.9

# SPECIAL FINISH WATER SUPPLIES

PART NO.	UPC	DESCRIPTION	FINISH	QTY	LBS
<b>Flush Levers</b>					
BCT050 NSH	026613123967	For Kohler Highline, Portrait and Wellworth Toilets	Satin Nickel	20	8.1
BCT050 BZH	026613123950	For Kohler Highline, Portrait and Wellworth Toilets	Oil Rubbed Bronze	20	8.0
BCT060 NSH	026613137513	Fits Most Toilets	Satin Nickel	20	7.8
BCT060 BZH	026613137520	Fits Most Toilets	Oil Rubbed Bronze	20	7.8



Please reference the chart below of model number suffixes to determine the appropriate Part Number to order.

Part Number: {model number} {suffix}. Example: 1-12A NSP


Model Number	Oil Rubbed	Satin Nickel	Polished Nickel	Polished Brass	Polished Brass	Stainless Steel	White
	Bronze				PVD	PVD	
1-12A	BZP	NSP					
1-12DE	BZP	NSP					
1-12DL	BZP	NSP					
113-06-4X	BZH	NSH	NPH	PH			
113-06-6X	BZH						
113-08-4X	BZH	NSH	NPH	PH			
113-08-6X	BZH	NSH					
1-20A	BZP	NSP	NPP	PP			
1-20DE	BZP	NSP					
1-20DL	BZP	NSP	NPP	PP			
1-30A	BZP	NSP					
61-6	BZH	NSH	NPH	PH			
646	BZ	NS	NP	P			
647	BZ	NS	NP	P			
649	BZ	NS	NP	P			
650	BZ	NS	NP	P			
651	BZ	NS					
654	BZ	NS					
661BX	BZH	NSH					
668BX	BZH	NSH					
8489	BZH	NSH	NPH	PH			
BC7100	BZ	NS	NP	P			
BC7100F	BZ	NS					
BC7111	BZ	NS	NP	P			
BC7111F	BZ	NS					
BC7120	BZ	NS				SS	W
BC7125	BZ	NS				SS	W
BC7130	BZ	NS				SS	W
BC7131	BZ	NS				SS	W
BC7145	BZ	NS				SS	W
BC7150	BZ	NS				SS	W
BC7215	BZ	NS					
BC7220	BZ	NS					
BC7221	BZ	NS					
BC7222	BZ	NS					
BC7223	BZ	NS	NP	P			
BC7225	BZ	NS					
BC7226	BZ	NS					
BC9441	BZ	NS				SS	W
BCT050	BZH	NSH					
BCT060	BZH	NSH					
CS40BX	BZ	NS	NP		BRL		
CS41BX	BZ	NS	NP		BRL		
OCR14X	BZ	NS	NP	P			
OCR1912DLX	BZ	NS					


# FINISH INDEX

Please reference the chart below of model number suffixes to determine the appropriate Part Number to order.  
 Part Number: {model number} {suffix}. Example: 1-12A NSP

Model Number	Oil Rubbed	Satin Nickel	Polished Nickel	Polished Brass	Polished Brass	Stainless Steel	White
	Bronze				PVD	PVD	
OCR1920AX	BZ	NS					
OCR1920DLX	BZ	NS					
OCR19X	BZ	NS	NP	P			
OR10X	BZ	NS					
OR12X	BZ	NS					
OR15X	BZ	NS	NP	P			
OR17X	BZ	NS	NP	P			
PR14X	BZ	NS					
PR19X	BZ	NS					
R15-10T	BZH	NSH	NPH	PH			
X15-10	BZH	NSH	NPH	PH			
XCR14X	BZ1	NS1	NP1	P1			
XCR1920AX	BZ	NS					
XCR1920DLX	BZ	NS					
XCR19X	BZ1	NS1	NP1	P1			
XCS40BX	BZ	NS	NP		BRL		
XCS41BX	BZ	NS	NP		BRL		
XKT15-10	BZH	NSH					
XKTCR14X	BZ	NS					
XKTCR1912DLX	BZ	NS					
XKTCR1920AX	BZ	NS					
XKTCR19X	BZ	NS					
XKTCS40BX	BZ	NS					
XKTCS41BX	BZ	NS					
XKTPR14X	BZ	NS					
XKTPR19X	BZ	NS					
XPR14X	BZ1	NS1					
XPR19X	BZ1	NS1					
XR10X	BZ1	NS1					
XR12X	BZ1	NS1					
XR15X	BZ1	NS1	NP1	P1			
XR17X	BZ1	NS1	NP1	P1			


### Variations\*


<b>Lock Shield, Loose Key (Add Prefix S)</b>	
Stops Faucet Kits Toilet Kits	

<b>Stuffing Box, Lock Shield, Loose Key (Add Prefix ST)</b>	
Stops Faucet Kits Toilet Kits	

<b>Lock Shield, Screwdriver Slot (Add Prefix SS)</b>	
Stops Faucet Kits Toilet Kits	

<b>Stuffing Box, Lock Shield, Screwdriver Slot (Add Prefix SST)</b>	
Stops Faucet Kits Toilet Kits	

<b>Stuffing Box (Add Prefix T)</b>	
Stops Faucet Kits Toilet Kits	

<b>Cross Handle (Add Prefix X)</b>	
Stops Faucet Kits Toilet Kits	

<b>Brass Stem (Non-Sweat) (Add Suffix Z)</b>	
Valve/Kit	

<b>Round (Brass) Handle (Add Prefix XX)</b>	
Stops Faucet Kits Toilet Kits	


\* Not available with all stops and kits.

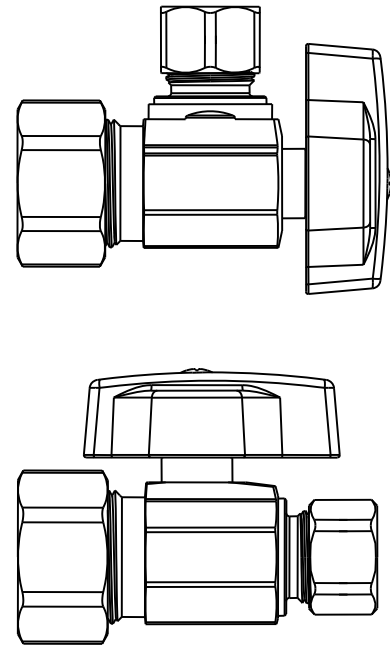


## WATER SUPPLY STOPS – 1/4 TURN BALL STOP (KT™ SERIES)

**Use:** For use in potable water distribution systems

**Design Features:**

- **Machined one-piece brass body** provides strength, durability, and long-lasting performance
- **Easy-to-remove handle** protects accidental stop operation during rough-ins
- **Precision-machined brass ball** is specially engineered and mated with PTFE seats to provide smooth operation without freeze ups even after long periods of non-use
- **Two high-performance o-rings** withstand high temperatures and corrosion from harsh water environments
- **Blow-out proof brass stem** is assembled from the inside out with two o-rings to ensure safe, reliable performance
- **Plated stem** provides corrosion resistance and prevents o-ring damage after long periods of non-use
- **Metal handle** is designed for durability, corrosion resistance, and a sleek appearance
- **Dual Outlet and Dual Outlet/Dual Shut-off** configurations available
- **Available with** loose key handle variation
- **100% Leak tested**
-  **No Lead**



**Operating Specifications:**

**Temperature:** 40°- 180° F  
**Pressure:** 125 PSI maximum

<b>STOP MATERIAL SPECIFICATIONS</b>	
<b>Body</b>	<i>Brass or brass, chrome plated</i>
<b>Stem</b>	<i>Brass, chrome plated</i>
<b>Handle</b>	<i>Zinc die cast, plated</i>
<b>Handle Screw</b>	<i>Steel, zinc plated</i>
<b>O-ring</b>	<i>Rubber</i>
<b>Ball</b>	<i>Brass, chrome plated</i>
<b>Seat</b>	<i>PTFE</i>
<b>Compression Sleeve</b>	<i>Brass</i>
<b>Compression Nut</b>	<i>Brass or brass, chrome plated</i>

**Listings & Certifications:**


- IAPMO listed to ASME A112.18.1 / CSA B125.1 (File # 0645)
- CSA listed to ASME A112.18.1 / CSA B125.1 (File # 204593)
- No-Lead product CSA listed to Low Lead Content Certification Program – Plumbing Products Class 6853-01



### WATER SUPPLY STOPS – 1/4 TURN STOP (G2™ SERIES)

**Use:** For use in potable water distribution systems. Not intended for recirculating water systems that produce continuous use temperatures above 115° F. For those applications, use our KT™ series ball stops

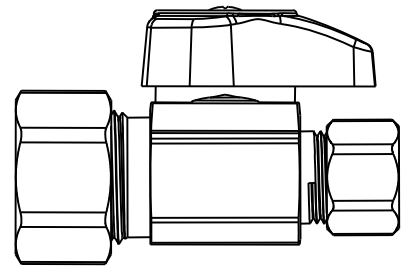
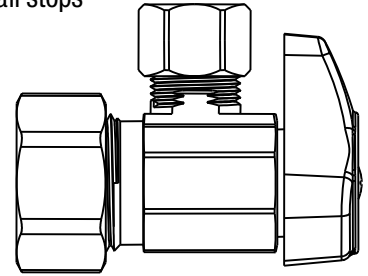
**Design Features:**

- **One-piece shut-off mechanism** provides smooth on-off operation without freeze ups even after long periods of non-use
- **Machined one-piece brass body** provides strength, durability, and long-lasting performance
- **Positive 1/4 turn shut-off**
- **Easy-to-remove handle** protects accidental stop operation during rough-ins
- **100% Leak tested**
-  **No Lead**

**Operating Specifications:**

**Temperature:** 40° - 140° F

**Pressure:** 125 PSI maximum



#### STOP MATERIAL SPECIFICATIONS

<b>Body</b>	<i>Brass or brass, chrome plated</i>
<b>Handle</b>	<i>Zinc die cast, plated</i>
<b>Handle Screw</b>	<i>Steel, zinc plated</i>
<b>O-ring</b>	<i>Rubber</i>
<b>Stem Shaft</b>	<i>Polypropylene</i>
<b>Stem Barrel</b>	<i>TPE</i>
<b>Compression Sleeve</b>	<i>Brass</i>
<b>Compression Nut</b>	<i>Brass or brass, chrome plated</i>

**Listings & Certifications:**


- IAPMO listed to ASME A112.18.1 / CSA B125.1 (File # 0645)
- CSA listed to ASME A112.18.1 / CSA B125.1 (File # 204593)
- No-Lead product CSA listed to Low Lead Content Certification Program – Plumbing Products Class 6853-01

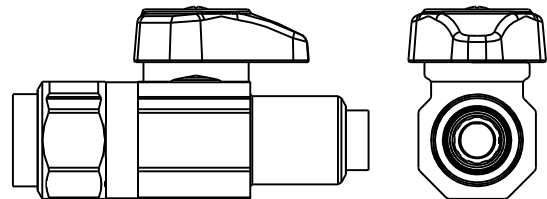
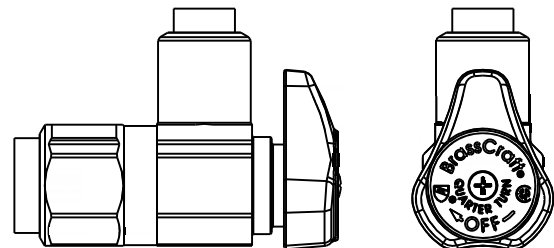
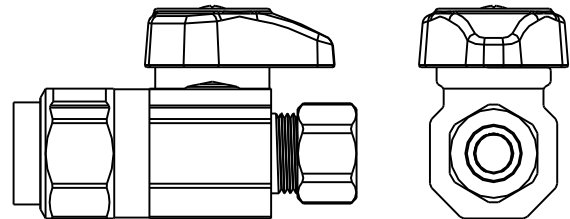
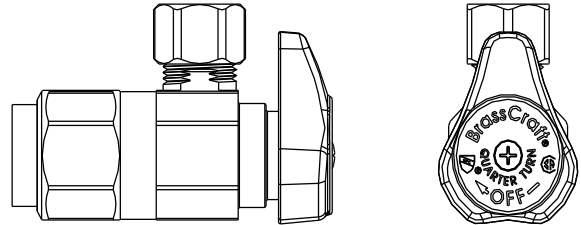


## WATER SUPPLY STOPS – 1/4 TURN PUSH CONNECT SUPPLY STOP (G2™ SERIES)

**Use:** For use in potable water distribution systems. Not intended for recirculating water systems that produce continuous use temperatures above 115° F. For those applications, use our KT™ series ball stops

**Design Features:**

- **One-piece shut-off mechanism** provides smooth on-off operation without freeze ups even after long periods of non-use
- **Compatible** with PEX, copper, and CPVC
- **Pre-assembled tube insert** is “installation ready” for a faster connection
- **Fast, reliable, and secure connection**
- **Positive 1/4 turn shut-off**
- **Easy-to-remove handle** helps protect against accidental stop operation during rough-ins
- **Available in** Push Connect x Compression and Push Connect x Push Connect configurations
- **Compact machined one-piece body design**
- **100% Leak tested**
-  **No Lead**



**Operating Specifications:**

**Temperature:** 40° - 140° F  
**Pressure:** 125 PSI maximum

STOP MATERIAL SPECIFICATIONS	
<b>Body</b>	Brass, chrome plated
<b>Handle</b>	Zinc die cast, plated
<b>Handle Screw</b>	Steel, zinc plated
<b>O-ring</b>	Rubber
<b>Stem Shaft</b>	Polypropylene
<b>Stem Barrel</b>	TPE
<b>Removal Flange</b>	Polypropylene
<b>Tube Insert</b>	POM
<b>Gripper Ring</b>	Stainless steel
<b>Push Connect Retainer</b>	Brass
<b>Compression Sleeve</b>	Brass
<b>Compression Nut</b>	Brass, chrome plated

**Listings & Certifications:**


- IAPMO listed to ASME A112.18.1 / CSA B125.1 and ASSE 1061 (File # 0645)
- CSA listed to ASME A112.18.1 / CSA B125.1 and ASSE 1061 (File # 204593)
- No-Lead product CSA listed to Low Lead Content Certification Program – Plumbing Products Class 6853-01

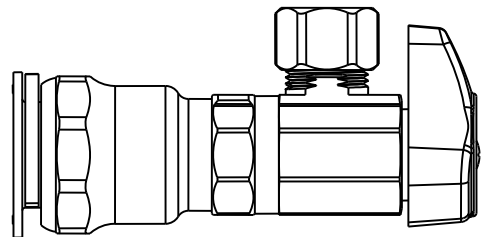
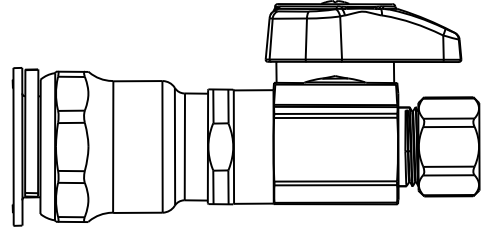


### WATER SUPPLY STOPS – 1/4 TURN PUSH CONNECT SUPPLY STOP (G2™ SERIES)

**Use:** For use in potable water distribution systems. Not intended for recirculating water systems that produce continuous use temperatures above 115° F. For those applications, use our KT™ series ball stops

**Design Features:**

- **One-piece shut-off mechanism** provides smooth on-off operation without freeze ups even after long periods of non-use
- **Compatible** with PEX, copper, and CPVC
- **Pre-assembled tube insert** is “installation ready” for a faster connection
- **Fast, reliable, and secure connection**
- **Positive 1/4 turn shut-off**
- **Easy-to-remove handle** helps protect against accidental stop operation during rough-ins
- **Locking clip** adds security to connection while allowing removal if needed
- **Captive removal flange** permits easy removal from tube
- **100% Leak tested**
-  **No Lead**



**Operating Specifications:**

**Temperature:** 40° - 140° F

**Pressure:** 125 PSI maximum

#### STOP MATERIAL SPECIFICATIONS

<b>Body</b>	Brass, chrome plated
<b>Handle</b>	Zinc die cast, plated
<b>Handle Screw</b>	Steel, zinc plated
<b>O-ring</b>	Rubber
<b>Stem Shaft</b>	Polypropylene
<b>Stem Barrel</b>	TPE
<b>Removal Flange</b>	Nylon
<b>Tube Insert</b>	Stainless steel
<b>Gripper Ring</b>	Stainless steel
<b>Locking Clip</b>	Nylon
<b>Compression Sleeve</b>	Brass
<b>Compression Nut</b>	Brass, chrome plated

**Listings & Certifications:**

- IAPMO listed to ASME A112.18.1 / CSA B125.1 and ASSE 1061 (File # 0645)
- CSA listed to ASME A112.18.1 / CSA B125.1 and ASSE 1061 (File # 204593)
- No-Lead product CSA listed to Low Lead Content Certification Program – Plumbing Products Class 6853-01

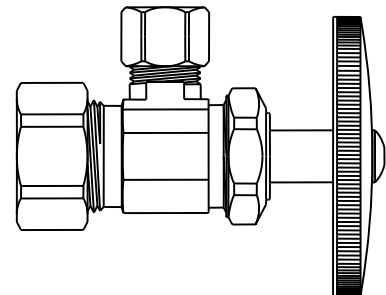
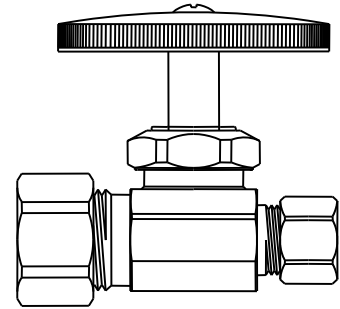


## WATER SUPPLY STOPS – MULTI-TURN STOP

**Use:** For use in potable water distribution systems. Not intended for recirculating water systems that produce continuous use temperatures above 115° F. For those applications, use our KT™ series ball stops

**Design Features:**

- **Machined one-piece brass body** provides strength, durability, and long-lasting performance
- **Easy-to-remove handle** protects accidental stop operation during rough-ins
- **Oval knurled handle** provides a secure grip and smooth on/off operation
- **Handle variations** available for specific configurations – see variations page
- **Dual Outlet and Dual Outlet/Dual Shut-off** configurations available
- **No Lead**



**Operating Specifications:**

**Temperature:** 40° - 140° F  
**Pressure:** 125 PSI maximum

STOP MATERIAL SPECIFICATIONS	
<b>Body</b>	<i>Brass or brass, chrome plated</i>
<b>Stem</b>	<i>POM; brass; or brass, chrome plated</i>
<b>Handle</b>	<i>Zinc die cast, plated; ABS, plated; or Polycarbonate</i>
<b>Handle Screw</b>	<i>Steel, zinc plated</i>
<b>Bib &amp; Packing Washer</b>	<i>Rubber</i>
<b>Packing Nut</b>	<i>Brass or brass, chrome plated</i>
<b>Compression Sleeve</b>	<i>Brass</i>
<b>Compression Nut</b>	<i>Brass or brass, chrome plated</i>

**Listings & Certifications:**


- IAPMO listed to ASME A112.18.1 / CSA B125.1 (File # 0645)
- CSA listed to ASME A112.18.1 / CSA B125.1 (File # 204593)
- No-Lead product CSA listed to Low Lead Content Certification Program – Plumbing Products Class 6853-01



### RISER TUBES – STRAIGHT COPPER

**Use:** For use in potable water distribution systems in accessible locations only.

**Design Features:**

- One-piece construction
- Cut-to-length for clean, professional installation
-  No Lead

**Operating Specifications:**

**Temperature** 40° - 180° F  
**Pressure:** 125 PSI maximum

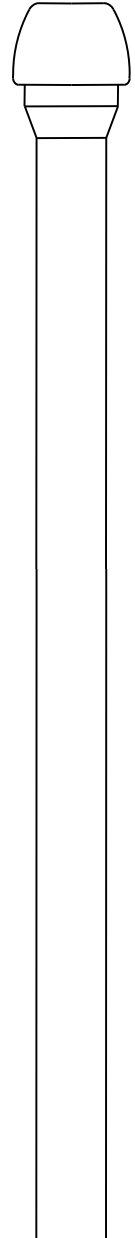
**Tubing Diameter:** 3/8" OD or 1/2" OD

#### CONNECTOR MATERIAL SPECIFICATIONS

<b>Tube</b>	Copper per ASTM B-68
<b>Insert</b>	POM
<b>Optional Brass Nosepiece</b>	Brass
<b>Optional Cone Washer</b>	Rubber
<b>Optional Brass Ring</b>	Brass

**Listings & Certifications:**

- IAPMO listed to ASME A112.18.1 / CSA B125.1 (File # 0645)
- CSA listed to ASME A112.18.1 / CSA B125.1 (File # 204593)
- No-Lead product CSA listed to Low Lead Content Certification Program – Plumbing Products Class 6853-01




## RISER TUBES – PEX

**Use:** For use in potable water distribution systems in accessible locations only.

\*Based on connector size, plastic tubing may require a plastic insert or sleeve (see 60PT & 63PT submittal forms for details).

**Design Features:**

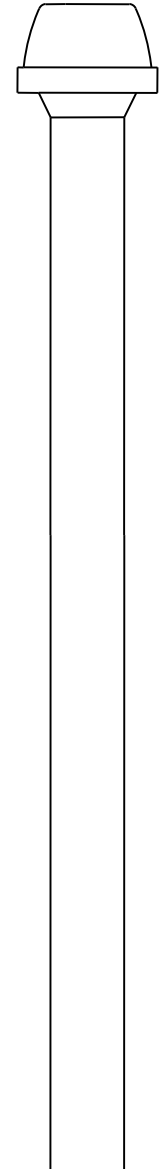
- **One-piece** construction
- **Cut-to-length** for clean, professional installation
-  **No Lead**

**Operating Specifications:**

**Temperature:** 40° - 160° F

**Pressure:** 125 PSI maximum

**Tubing Diameter:** 3/8" OD or 1/2" OD



<b>CONNECTOR MATERIAL SPECIFICATIONS</b>	
<b>Tube</b>	<i>Cross-linked Polyethylene (PEX)</i>
<b>Compression Sleeve (3/8"OD)</b>	<i>POM</i>

**Listings & Certifications:**


- IAPMO listed to ASME A112.18.1-2005 / CSA B125.1-2005 (File # 0645)
- NSF listed to ASME A112.18.6, ASTM F876 & F877, ANSI/NSF 14 & 61, cNSFus-pw, B125, C1-TD, and Uniform Plumbing Code
- No-Lead product CSA listed to Low Lead Content Certification Program – Plumbing Products Class 6853-01



### WATER CONNECTORS – SPEEDI PLUMB® PLUS

**Use:** For use in potable water distribution systems in accessible locations only.

**Design Features:**

- **Superior corrosion resistance** to harsh chemicals found in common household cleaning and plumbing repair products
- **Braided polymer-coated fibers** bend freely without kinking or crimping
- **Tough inner core** is reinforced to resist chlorine and chloramine leaching and deterioration
- **Rubber washers** provide a large pliable sealing surface and ensure a long lasting airtight connection
- **8-sided pneumatic crimp** provides greater dependability for reliable nut-to-hose connections
- **Deep threaded wing nuts** for quick and secure connections
-  **No Lead**

**Operating Specifications:**

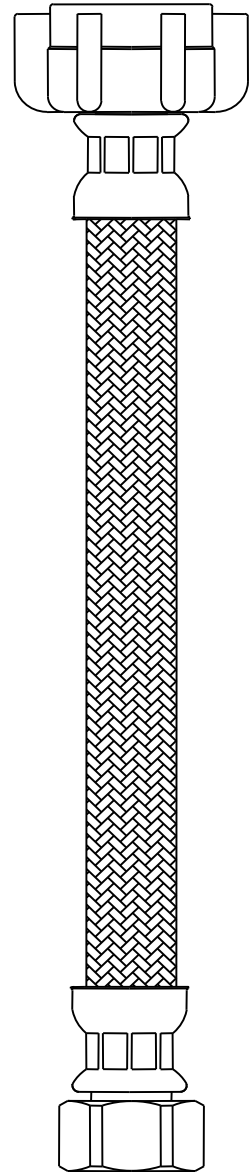
**Temperature:** 40°- 140° F, intermittent to 180° F

**Pressure:** 125 PSI maximum

CONNECTOR MATERIAL SPECIFICATIONS	
<b>Inner Hose</b>	Reinforced PVC
<b>Braiding</b>	PVC coated polyester yarn
<b>Barb</b>	Brass
<b>Ferrule</b>	Steel, zinc plated
<b>Nut</b>	Brass or polypropylene
<b>Washer</b>	Rubber

**Listings & Certifications:**

- IAPMO listed to ASME A112.18.6 / CSA B125.6 (File # 0452)
- CSA listed to ASME A112.18.6 / CSA B125.6 (File # 204593)
- No-Lead product CSA listed to Low Lead Content Certification Program – Plumbing Products Class 6853-01






## SPEEDI PLUMB® PLUS BRAIDED WATER CONNECTORS – STAINLESS STEEL

**Use:** For use in potable water distribution systems in accessible locations only.

**Design Features:**

- **Tough inner core** is reinforced to resist chlorine and chloramine leaching and deterioration
- **Plated brass nuts** for durability
- **Rubber washer** ensures a universal fit and long lasting water-tight connection
- **8-sided pneumatic crimp** ensures realible nut-to-hose connection
-  **No Lead**

**Operating Specifications:**

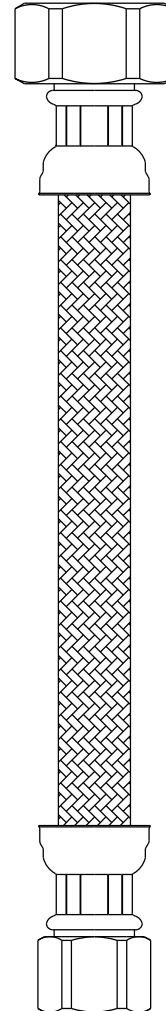
**Temperature:** 40° - 140° F, intermittent to 180° F  
**Pressure:** 125 PSI maximum

**Tubing Diameter:** 0.300" ID (0.550" OD)

MATERIAL SPECIFICATIONS	
<b>Inner Hose</b>	<i>Reinforced PVC</i>
<b>Braiding</b>	<i>Stainless steel wire</i>
<b>Barb</b>	<i>Brass</i>
<b>Ferrule</b>	<i>Zinc plated steel</i>
<b>Nut</b>	<i>Brass</i>
<b>Washer</b>	<i>Rubber</i>
<b>Compression Nut</b>	<i>Brass</i>

**Listings & Certifications:**


- CSA listed to ASME A112.18.6 and CSA B125.6 (File #204593)
- IAPMO listed to ASME A112.18.6 and CSA B125.6 (File # 0452)
- No Lead product CSA listed to Low Lead Content Certification Program – Plumbing Products Class 6853-01
- Tubing material is formulated with food grade ingredients and certified by NSF to standard 51 Food Equipment Materials



### WATER CONNECTORS – SPEEDI PLUMB® - VINYL

**Use:** For use in potable water distribution systems in accessible locations only.

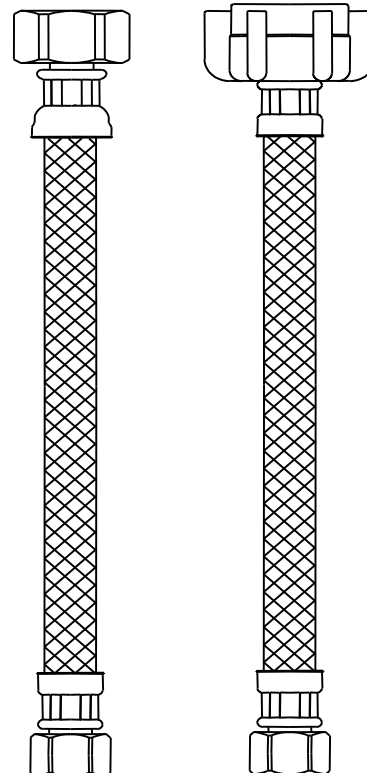
**Design Features:**

- **No kink hose.** The specially engineered reinforced PVC hose provides unique flexibility to prevent kinking and crimping
- **Greater strength and durability** with a tighter weave and two-layer bonded construction, outperforms conventional vinyl connectors
- **Rubber washers** provide a large pliable sealing surface and ensure a long lasting water-tight connection
- **8-sided pneumatic crimp** provides greater dependability for reliable nut-to-hose connections
- **Deep threaded wing** nuts for quick and secure connections
- **Tough inner core** is reinforced to resist chlorine and chloramine leaching and deterioration
-  **No Lead**

**Operating Specifications:**

**Temperature:** 40°- 140° F, intermittent to 180° F

**Pressure:** 125 PSI maximum



#### CONNECTOR MATERIAL SPECIFICATIONS

<b>Hose</b>	<i>PVC with polyester braid reinforcement</i>
<b>Barb</b>	<i>Brass</i>
<b>Ferrule</b>	<i>Steel, zinc plated</i>
<b>Nut</b>	<i>Brass or polypropylene</i>
<b>Washer</b>	<i>Rubber</i>

**Listings & Certifications:**

- IAPMO listed to ASME A112.18.6 / CSA B125.6 (File # 0452)
- CSA listed to ASME A112.18.6 / CSA B125.6 (File # 204593)
- No-Lead product CSA listed to Low Lead Content Certification Program – Plumbing Products Class 6853-01



## WATER CONNECTORS – ONE-PIECE SUPPLY - BRAIDED

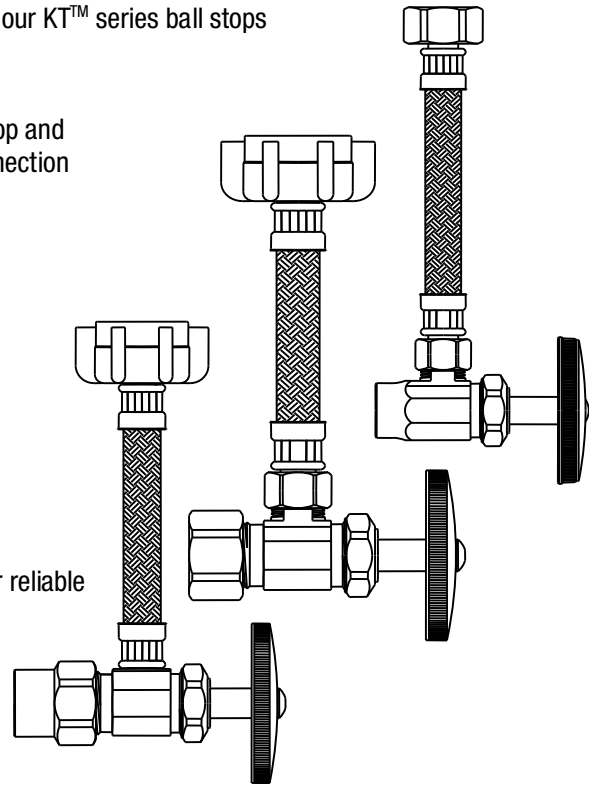
**Use:** For use in potable water distribution systems. Not intended for recirculating water systems that produce continuous use temperatures above 115° F. For those applications, use our KT™ series ball stops

**Design Features:**

- **Everything you need.** Combines our trusted brass supply stop and braided water connector for an easy to install one-piece connection
- **Significant time and cost savings**

**Braided connector provides:**

- **Superior corrosion resistance** to harsh chemicals found in common household cleaning and plumbing repair products
- **Braided polymer-coated fibers** bend freely without kinking or crimping
- **Tough inner core** is reinforced to resist chlorine and chloramine leaching and deterioration
- **Rubber washers** provide a large pliable sealing surface and ensure a long lasting water-tight connection
- **8-sided pneumatic crimp** provides greater dependability for reliable nut-to-hose connections
- **Deep threaded wing nuts** for quick and secure connections
- **No Lead**



Includes 1/2" nom shallow escutcheon (see 649 submittal form for details)

**Operating Specifications:**

**Temperature:** 40°- 140° F, intermittent to 180° F  
**Pressure:** 125 PSI maximum

STOP MATERIAL SPECIFICATIONS	
<b>Body</b>	Brass or brass, chrome plated
<b>Stem</b>	Brass or brass, chrome plated
<b>Handle</b>	Zinc die cast, plated; ABS, plated; or Polycarbonate
<b>Handle Screw</b>	Steel, zinc plated
<b>Bib &amp; Packing Washer</b>	Rubber
<b>Packing Nut</b>	Brass
<b>CPVC Insert</b>	CPVC
<b>CPVC Washer</b>	Rubber
<b>CPVC Nut</b>	Brass

CONNECTOR MATERIAL SPECIFICATIONS	
<b>Inner Hose</b>	Reinforced PVC
<b>Braiding</b>	PVC coated polyester yarn
<b>Barb</b>	Brass
<b>Ferrule</b>	Steel, zinc plated
<b>Nut</b>	Brass or polypropylene
<b>Washer</b>	Rubber
<b>Shallow Escutcheon</b>	Stainless steel

**Listings & Certifications:**

- IAPMO listed to ASME A112.18.1 / CSA B125.1 (File # 0645)
- CSA listed to ASME A112.18.1 / CSA B125.1 (File # 204593)
- No-Lead product CSA listed to Low Lead Content Certification Program – Plumbing Products Class 6853-01




## WATER CONNECTORS – ONE-PIECE SUPPLY - VINYL

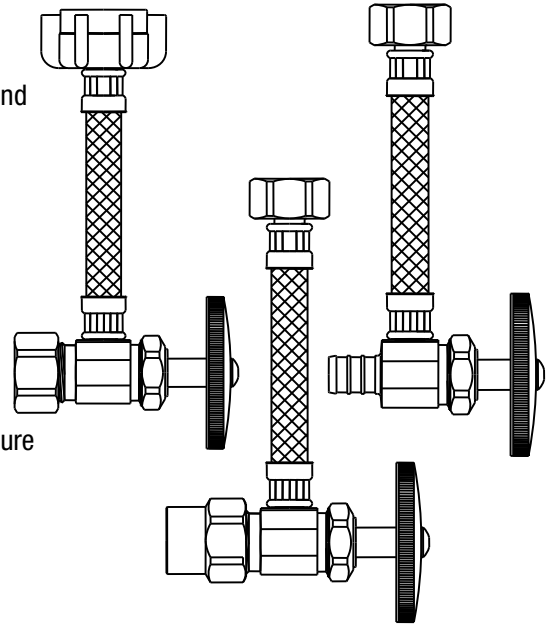
**Use:** For use in potable water distribution systems. Not intended for recirculating water systems that produce continuous use temperatures above 115° F. For those applications, use our KT™ series ball stops

**Design Features:**

- **Everything you need.** Combines our trusted brass supply stop and vinyl water connector for an easy to install one-piece connection
- **Significant time** and cost savings

**Vinyl Connector Provides:**

- **No kink hose.** The specially engineered reinforced PVC hose provides unique flexibility to prevent kinking and crimping
- **Greater strength and durability** with a tighter weave and two-layer bonded construction, outperforms conventional vinyl connectors
- **Rubber washers** provide a large pliable sealing surface and ensure a long lasting water-tight connection
- **8-sided pneumatic crimp** provides greater dependability for reliable nut-to-hose connections
- **Deep threaded wing** nuts for quick and secure connections
-  **No Lead**



**Operating Specifications:**

**Temperature:** 40° - 140° F, intermittent to 180° F  
**Pressure:** 125 PSI maximum

Includes 1/2" nom shallow escutcheon  
 (see 649 submittal form for details)

STOP MATERIAL SPECIFICATIONS	
<b>Body</b>	Brass or brass, chrome plated
<b>Stem</b>	Brass or brass, chrome plated
<b>Handle</b>	Zinc die cast, plated; ABS, plated; or Polycarbonate
<b>Handle Screw</b>	Steel, zinc plated
<b>Bib &amp; Packing Washer</b>	Rubber
<b>Packing Nut</b>	Brass or brass, chrome plated
<b>Compression Ring</b>	Brass or brass, chrome plated
<b>Compression Nut</b>	Brass or brass, chrome plated

CONNECTOR MATERIAL SPECIFICATIONS	
<b>Inner Hose</b>	PVC with polyester braid reinforcement
<b>Barb</b>	Brass
<b>Ferrule</b>	Steel, zinc plated
<b>Nut</b>	Brass or polypropylene
<b>Washer</b>	Rubber
<b>Shallow Escutcheon</b>	Stainless steel

**Listings & Certifications:**

- IAPMO listed to ASME A112.18.1 / CSA B125.1 (File # 0645)
- CSA listed to ASME A112.18.1 / CSA B125.1 (File # 204593)
- No-Lead product CSA listed to Low Lead Content Certification Program – Plumbing Products Class 6853-01

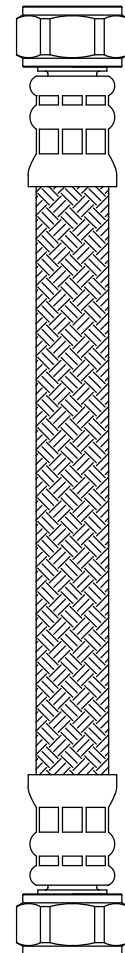


## SPEEDI PLUMB® PLUS BRAIDED WATER HEATER CONNECTORS

**Use:** For use in exposed locations only to connect water heaters and other water connected devices to the water supply. Not intended for use with recirculating water systems that produce continuous use temperatures above 115° F. For those applications use the BrassCraft® CopperFlex™ or ProCoat® series connectors.

**Design Features:**

- **Superior corrosion resistance** to harsh chemicals found in common household cleaning and plumbing repair products
- **Greater strength & flexibility.** The patented polymer braid exhibits greater elasticity than stainless steel braiding, significantly increasing the flexibility of the connector
- **No kinking, no crimping.** The polymer braided jacket is specially engineered to bend freely without kinking or crimping the connector
- **Won't work harden** even with repeated bending
- **No dielectric union needed** with installation as the braiding and rubber are constructed of non-conductive materials
- **Longer connector nuts** allow a greater number of thread-to-thread contact and a better seal
- **No Lead**



**Operating Specifications:**

**Temperature:** 40° - 140° F, intermittent to 180° F  
**Pressure:** 125 PSI maximum

OPERATING SPECIFICATION				
	12"	15"	18"	24"
<b>Flow Coefficient (Cv)</b>	<b>5.9</b>	<b>5.8</b>	<b>5.6</b>	<b>5.4</b>

$\Delta P$  (Pressure Drop) =  $GPM^2 / Cv^2$  for Example: 24" length connector @ 10 GPM  
 $\Delta P = 10^2 / 5.4^2 = 100/29.16 = 3.43$  psi

MATERIAL SPECIFICATIONS	
<b>Inner Hose</b>	Rubber
<b>Braiding</b>	Coated polyester yarn
<b>Barb</b>	Brass
<b>Ferrule</b>	Brass
<b>Nut</b>	Brass
<b>End Fitting</b>	Brass
<b>Washer</b>	Rubber

**Listings & Certifications:**


- IAPMO listed to ASME A112.18.6 / CSA B125.6 (File # 0452)
- CSA listed to ASME A112.18.6 / CSA B125.6 (File # 204593)
- No-Lead product CSA listed to Low Lead Content Certification Program – Plumbing Products Class 6853-01



## COPPER WATER HEATER CONNECTORS

**Use:** For use in exposed locations only to connect water heaters and other water connected devices to the water supply

**Design Features:**

- **Superior galvanic corrosion resistance.** Patented internal dielectric sleeve effectively isolates dissimilar metals within the waterway to prevent galvanic corrosion
- **No dielectric union needed** with installation. Dielectric is built into the design of the connector
- **Less torque to seal** against the pliable rubber washer, especially on rough nipple surfaces
- **Longer connector nuts** allow a greater number of thread-to-thread contacts and a better seal
-  **No Lead** (WB Series only)

**Operating Specifications:**

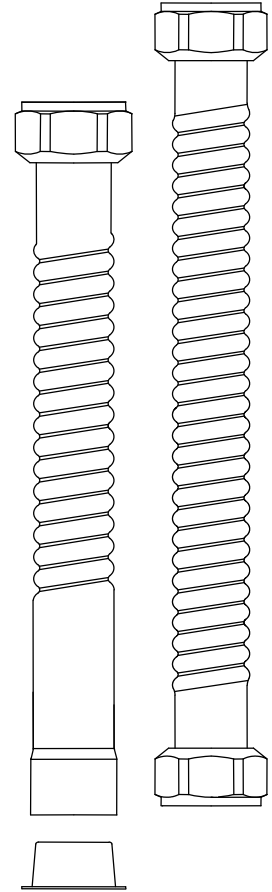
**Temperature:** 40° - 180° F

**Pressure:** 125 PSI maximum

MATERIAL SPECIFICATIONS	
<b>Tubing</b>	Copper
<b>Dielectric Sleeve</b>	Polypropylene
<b>Nut</b>	Brass
<b>End Fitting</b>	Brass
<b>Washer</b>	Rubber

**Listings & Certifications:**


- IAPMO listed to ASME A112.18.6 / CSA B125.6 (File # 0452)
- CSA listed to ASME A112.18.6 / CSA B125.6 (File # 204593)
- No-Lead product CSA listed to Low Lead Content Certification Program – Plumbing Products Class 6853-01



## PROCOAT® STAINLESS STEEL WATER HEATER CONNECTORS

**Use:** For use in exposed locations only to connect water heaters, water softeners and other water connected devices to the water supply

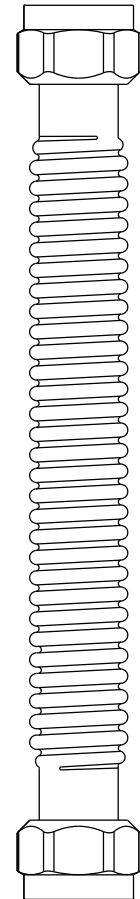
**Design Features:**

- **Proprietary ProCoat® clear coat** provides unrivaled corrosion protection from harsh chemicals that can cause surface deterioration and pinhole leaks
- **Full flow, maximum performance.** 3/4" internal diameter provides greater water flow without obstruction
- **Integrated dielectric sleeve** effectively isolates dissimilar metals within the waterway to help prevent galvanic and electrolytic corrosion
- **No dielectric union needed** with installation. Dielectric is built into the design of the connector
- **Less torque to seal** against the pliable rubber washer, especially on rough nipple surfaces
- **Longer connector nuts** allow a greater number of thread-to-thread contacts and a better seal
- **100% Leak tested** prior to coating application to ensure connector performance and reliability
-  **No Lead**

**Operating Specifications:**

**Temperature:** 40° - 180° F  
**Pressure:** 125 PSI maximum

<b>MATERIAL SPECIFICATIONS</b>	
<b>Tubing</b>	<i>Stainless steel</i>
<b>Dielectric Sleeve</b>	<i>Polypropylene</i>
<b>Nut</b>	<i>Brass</i>
<b>Washer</b>	<i>Rubber</i>



**Listings & Certifications:**

- IAPMO listed to ASME A112.18.6 / CSA B125.6 (File # 0452)
- CSA listed to ASME A112.18.6 / CSA B125.6 (File # 204593)
- No-Lead product CSA listed to Low Lead Content Certification Program – Plumbing Products Class 6853-01




## COMPRESSION FITTINGS

**Use:** For use with potable water, instrumentation, hydraulic, and pneumatic systems. Designed for use with aluminum, copper, and plastic tubing. Not intended for use with steel tubing.

\* Plastic tubing requires a plastic insert and sleeve (see 60PT & 63PT).

**Design Features:**

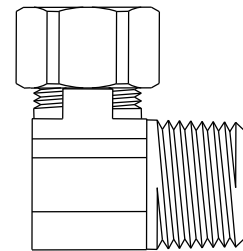
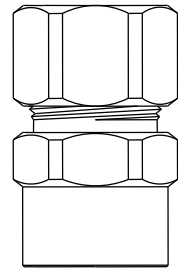
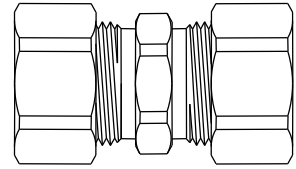
- **Little to no tube preparation.** Compression fittings do not require flaring, soldering, or other types of tube preparation
- **Available in a broad range of sizes**
-  **No Lead**

**Operating Specifications:**

**Temperature:** -65° - 250° F at maximum operating pressures

**Working Pressure:** See chart below

**Vibration:** Fair vibration resistance



WORKING PRESSURE		
PSI	Tube O.D.	Tube Wall (Inches)
400	1/8	0.030
400	3/16	0.030
300	1/4	0.030
300	5/16	0.032
200	3/8	0.032
200	1/2	0.032
150	5/8	0.035
100	3/4	0.035
75	7/8	0.035

**Standard Fitting**

MATERIAL SPECIFICATIONS	
<b>Fitting Body</b>	Brass
<b>Compression Sleeve</b>	Brass
<b>Compression Nut</b>	Brass
<b>Option</b>	Chrome plating

**Compliant Fitting**

MATERIAL SPECIFICATIONS	
<b>Fitting Body</b>	Compliant brass
<b>Compression Sleeve</b>	Brass
<b>Compression Nut</b>	Brass

**Listings & Certifications:**

- No-Lead product CSA listed to Low Lead Content Certification Program – Plumbing Products Class 6853-01





## FITTINGS – BRASS CPVC TRANSITION

**Use:** For use with water, grease, fuels, LP and natural gas, refrigeration, instrumentation, and hydraulic systems in low and medium pressure pipe line connections. Use in combination with brass, copper, and iron pipe.

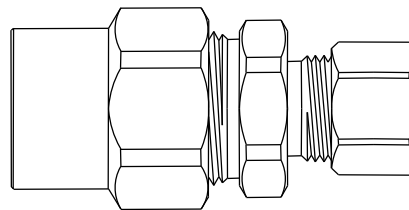
**Design Features:**

- **Designed & manufactured** to SAE (Society of Automotive Engineers) thread standards
- **Also meets** ASME and ASA requirements
- **Available in** a broad range of sizes
- **Many Brass fittings** are compliant to California and Vermont health and safety codes. See catalog or refer to BrassCraft® Product Submittal Sheets
- **No Lead**

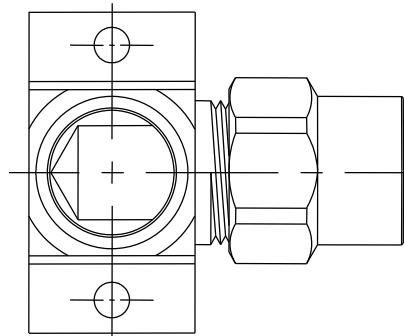
**Operating Specifications:**

**Temperature:** See Catalog  
**Working Pressure:** Up to 400 PSI – See Catalog  
**Vibration:** Fair resistance to vibration and pipe movement depending on conditions

MATERIAL SPECIFICATIONS	
<b>Fitting Body</b>	<i>Brass</i>
<b>CPVC Insert</b>	<i>CPVC</i>
<b>CPVC Washer</b>	<i>Rubber</i>
<b>CPVC Nut</b>	<i>Brass</i>
<b>Compression Sleeve</b>	<i>Brass</i>
<b>Compression Nut</b>	<i>Brass</i>



MATERIAL SPECIFICATIONS	
<b>Fitting Body</b>	<i>Brass</i>
<b>CPVC Insert</b>	<i>CPVC</i>
<b>CPVC Washer</b>	<i>Rubber</i>
<b>CPVC Nut</b>	<i>Brass</i>



**Listings & Certifications:**


- No-Lead product CSA listed to Low Lead Content Certification Program – Plumbing Products Class 6853-01



### NIPPLES – BRASS PIPE

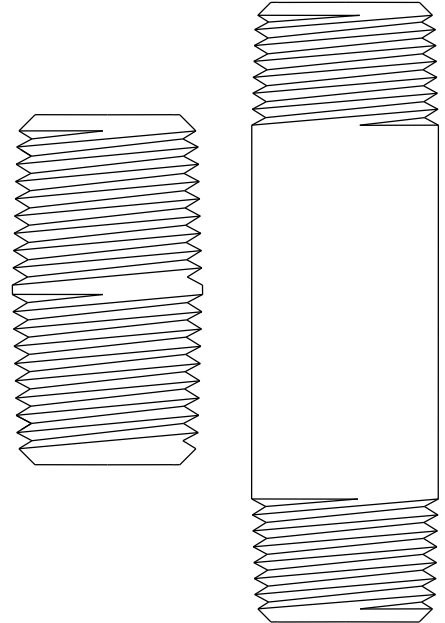
**Use:** For use with water, grease, fuels, LP and natural gas, refrigeration, instrumentation, and hydraulic systems in low and medium pressure pipe line connections. Use in combination with brass, copper, and iron pipe.

**Design Features:**

- **Designed & manufactured** to SAE (Society of Automotive Engineers) thread standards
- **Also meets** ASME and ASA requirements
- **Available** in a broad range of sizes
-  **No Lead**

**Operating Specifications:**

**Temperature:** -65° - 250° F  
**Working Pressure:** Up to 1200 PSI  
**Vibration:** Fair resistance to vibration and pipe movement depending on conditions



#### MATERIAL SPECIFICATIONS

<b>Nipple</b>	<i>Yellow or Compliant brass</i>
---------------	----------------------------------

**Listings & Certifications:**

- No-Lead product CSA listed to Low Lead Content Certification Program – Plumbing Products Class 6853-01



PART NO.	PAGE	PART NO.	PAGE	PART NO.	PAGE
001E.....	89	113-06-2.5-CX.....	81	113-12-2-RX.....	82
003E.....	89	113-06-2.5-RX.....	81	113-12-3.5-RX.....	82
004X.....	89	113-06-2-CX.....	81	113-12-3-RX.....	82
01E.....	89	113-06-2-RX.....	81	113-12-4.5-CX.....	82
01W.....	89	113-06-3.5-CX.....	81	113-12-4-RX.....	82
03E.....	89	113-06-3-CX.....	81	113-12-5-RX.....	82
10X C.....	78	113-06-3-RX.....	81	113-12-6-RX.....	82
1-12 C.....	67	113-06-4.5-CX.....	81	113-16-2-RX.....	82
112-02-RX.....	82	113-06-4-CX.....	81	113-16-3-RX.....	82
112-04-RX.....	82	113-06-4-RX.....	81	113-16-4-RX.....	82
112-06-CX.....	82	113-06-4X BZH.....	102	113-16-6-RX.....	82
112-06-RX.....	82	113-06-4X NPH.....	102	1-15A C.....	39
112-08-CX.....	82	113-06-4X NSH.....	102	1-15DL C.....	40
112-08-RX.....	82	113-06-4X PH.....	102	1-15KA R.....	40
112-12-RX.....	82	113-06-5.5-CX.....	81	1-15KC C.....	39
112-16-RX.....	82	113-06-5-CX.....	81	1-15KC R.....	39
1-12A BZP.....	98	113-06-6-CX.....	81	11X C.....	78
1-12A C.....	39	113-06-6X BZH.....	102	11X R.....	78
1-12A NSP.....	98	113-08-1.5-CX.....	81	1-20A BZP.....	98
1-12A R.....	39	113-08-1.5-RX.....	81	1-20A C.....	39
1-12DE BZP.....	98	113-08-2.5-CX.....	81	1-20A NPP.....	98
1-12DE C.....	40	113-08-2.5-RX.....	81	1-20A NSP.....	98
1-12DE NSP.....	98	113-08-2-CX.....	81	1-20A PP.....	98
1-12DL BZP.....	98	113-08-2-RX.....	81	1-20A R.....	39
1-12DL C.....	40	113-08-3.5-CX.....	81	1-20DE BZP.....	98
1-12DL NSP.....	98	113-08-3.5-RX.....	81	1-20DE C.....	40
1-12K C.....	39	113-08-3-CX.....	81	1-20DE NSP.....	98
1-12KA C.....	40	113-08-3-RX.....	81	1-20DL BZP.....	98
1-12KA R.....	40	113-08-4.5-CX.....	81	1-20DL C.....	40
1-12KC C.....	39	113-08-4-CX.....	81	1-20DL NPP.....	98
1-12KC R.....	39	113-08-4-RX.....	81	1-20DL NSP.....	98
113-02-1.5-RX.....	81	113-08-4X BZH.....	102	1-20DL PP.....	98
113-02-2.5-RX.....	81	113-08-4X NPH.....	102	1-20K C.....	39
113-02-2-RX.....	81	113-08-4X NSH.....	102	1-20KA C.....	40
113-02-3.5-RX.....	81	113-08-4X PH.....	102	1-20KA R.....	40
113-02-3-RX.....	81	113-08-5.5-CX.....	81	1-20KC C.....	39
113-02-4-RX.....	81	113-08-5.5-RX.....	81	1-20KC R.....	39
113-04-1.5-RX.....	81	113-08-5-CX.....	82	12X C.....	78
113-04-2.5-RX.....	81	113-08-5-RX.....	82	12X R.....	78
113-04-2-RX.....	81	113-08-6-CX.....	82	1-30A BZP.....	98
113-04-3.5-RX.....	81	113-08-6-RX.....	82	1-30A C.....	39
113-04-3-RX.....	81	113-08-6X BZH.....	102	1-30A NSP.....	98
113-04-4-RX.....	81	113-08-6X NSH.....	102	1-30A R.....	39
113-04-6-RX.....	81	113-12-1.5-RX.....	82	1-30DL C.....	40
113-06-1.5-CX.....	81	113-12-2.5-RX.....	82	1-30KC C.....	39
113-06-1.5-RX.....	81	113-12-2-CX.....	82	1-36A C.....	39

PART NO.	PAGE	PART NO.	PAGE	PART NO.	PAGE
1-36A R.....	39	3-15A C.....	39	63PT-8X.....	88
13X C.....	78	3-20A C.....	39	646.....	90
13X R.....	78	3-20A R.....	39	646 BZ.....	100
14X C.....	79	3-20DL C.....	40	646 NP.....	100
14X R.....	79	3-30A C.....	39	646 NS.....	100
1-72 C.....	67	3-30A R.....	39	646 P.....	100
190A.....	84	3360 C.....	67	647.....	90
190B.....	84	3362 C.....	67	647 BZ.....	100
190C.....	84	3-36A C.....	39	647 NP.....	101
191B.....	85	33X C.....	78	647 NS.....	100
191C.....	85	3-72 C10.....	67	647 P.....	100
192A.....	84	3DL.....	89	649.....	90
192B.....	84	462-6-4X.....	79	649 BZ.....	101
192C.....	84	462-6-6X.....	79	649 NP.....	101
193A.....	85	462-8-6X.....	79	649 NS.....	101
193B.....	85	56825X C.....	90	649 P.....	101
193C.....	85	56825X R.....	90	650 BZ.....	101
196A.....	84	60-10.....	88	650 C.....	90
196B.....	84	60-4.....	88	650 NP.....	101
196C.....	84	60-6.....	88	650 NS.....	101
197A.....	85	60-7.....	88	650 P.....	101
197B.....	85	60-8.....	88	651 BZ.....	101
197C.....	85	60PT-10.....	88	651 C.....	90
197D.....	85	60PT-4.....	88	651 NS.....	101
198A.....	85	60PT-5.....	88	65-10-6X.....	78
198B.....	85	60PT-6.....	88	65-10-6X C.....	78
198D.....	85	60PT-8.....	88	653 C.....	90
199A.....	85	61-10.....	88	654 BZ.....	101
199B.....	85	61-10 C.....	88	654 C.....	90
19X C.....	79	61-4.....	88	654 NS.....	101
1AX.....	89	61-4 C.....	88	657 C.....	90
1DE.....	89	61-6.....	88	661BX BZH.....	103
1DL.....	89	61-6 BZH.....	100	661BX NSH.....	103
200A.....	85	61-6 C.....	88	668BX BZH.....	103
200B.....	85	61-6 NPH.....	100	668BX NSH.....	103
200C.....	85	61-6 NSH.....	100	68-8DTX.....	78
202A.....	85	61-6 PH.....	100	69-10-8X.....	78
202D.....	85	61-7.....	88	69-6-6X.....	78
203A.....	85	61-7 C.....	88	69-6-6X C.....	78
204C.....	85	61-8.....	88	69-6-8X.....	78
24X R.....	79	61-8 C.....	88	69-6-8X C.....	78
3-12A C.....	39	62-4DTX.....	78	69-8-6X.....	78
3-12A R.....	39	62-6DTX.....	78	69-8-6X C.....	78
3-12DE C.....	40	63PT-10X.....	88	69-8-8X.....	78
3-12DL C.....	40	63PT-4X.....	88	70-6-6X.....	78
3-12KC C.....	39	63PT-6X.....	88	70-6-8X.....	79

PART NO.	PAGE	PART NO.	PAGE	PART NO.	PAGE
70-6-8X C	79	B1-24A F	45	B8-30A F	45
8489 BZH	102	B1-30A F	45	B8-36A F	45
8489 C	90	B1-36A F	45	B8-48DW F	47
8489 NPH	102	B1-36DW F	46	B8-48DW6 P	47
8489 NSH	102	B1-48A F	45	B8-60DW F	47
8489 PH	102	B1-48DW F	46	B8-60DW6 P	47
8491 C	90	B1-48DW1 P	47	B8-9DL F	46
90	86	B1-48DW12 F	47	BC7100 BZ	103
90A	85	B1-48DW12 P	47	BC7100 NP	103
90B	85	B1-48DW6 F	47	BC7100 NS	103
90C	86	B1-48DW6 P	47	BC7100 P	103
90D	86	B1-60A F	45	BC7100F BZ	103
90P	86	B1-60DW F	46	BC7100F NS	103
94D	86	B1-60DW1 P	47	BC7111 BZ	103
96	86	B1-60DW12 F	47	BC7111 NP	103
96A	86	B1-60DW12 P	47	BC7111 NS	103
96B	86	B1-60DW6 F	47	BC7111 P	103
96BR	86	B1-60DW6 P	47	BC7111F BZ	103
96C	86	B1-6DL F	45	BC7111F NS	103
96D	86	B1-72DW F	46	BC7120 BZ	104
96L	86	B1-72DW1 P	47	BC7120 NS	104
96P	86	B1-72DW12 F	47	BC7120 SS	104
96R	86	B1-72DW12 P	47	BC7120 W	104
97B	86	B1-72DW6 F	47	BC7125 BZ	104
B0-120IM P	48	B1-72DW6 P	47	BC7125 NS	104
B0-12IM F	47	B1-9DL F	45	BC7125 SS	104
B0-60IM F	47	B2-12A F	45	BC7125 W	104
B0-60IM P	47	B2-12DL F	45	BC7130 BZ	104
B0-72IM F	47	B2-20A F	45	BC7130 NS	104
B0-72IM P	48	B2-20DL F	45	BC7130 SS	104
B0-84IM P	48	B3-12A F	45	BC7130 W	104
B0-96IM P	48	B3-12DL F	45	BC7131 BZ	104
B1-120DW F	47	B3-12DLM F	46	BC7131 NS	104
B1-12A F	45	B3-16A F	45	BC7131 SS	104
B1-12DL F	45	B3-20A F	45	BC7131 W	104
B1-12DLM F	46	B3-20DL F	45	BC7145 BZ	105
B1-12DW F	46	B3-30A F	45	BC7145 NS	105
B1-12KC F	45	B3-48DW F	47	BC7145 SS	105
B1-16A F	45	B3-9DL F	45	BC7145 W	105
B1-16DL F	45	B8-12A F	45	BC7150 BZ	105
B1-16DW F	46	B8-12DL F	46	BC7150 NS	105
B1-16KC F	45	B8-16A F	45	BC7150 SS	105
B1-20A F	45	B8-16DL F	46	BC7150 W	105
B1-20DL F	45	B8-20A F	45	BC7215 BZ	106
B1-20DW F	46	B8-20DL F	46	BC7215 NS	106
B1-20KC F	45	B8-24A F	45	BC7220 BZ	106

PART NO.	PAGE	PART NO.	PAGE	PART NO.	PAGE
BC7220 NS.....	106	BL3-60DW F.....	47	CR1900RX R1.....	31
BC7221 BZ.....	106	BL3-6DL F.....	46	CR1901DV SX C.....	34
BC7221 NS.....	106	BL3-72DW F.....	47	CR1901DV SX R.....	34
BC7222 BZ.....	106	BL3-9DL F.....	46	CR1901DV X C.....	34
BC7222 NS.....	106	BRPX04X C.....	26	CR1901DV X R.....	34
BC7223 BZ.....	106	BRPX04X R.....	26	CR1901LRB20AX C.....	64
BC7223 NP.....	106	BRPX09X C.....	26	CR1901LRX C1.....	31
BC7223 NS.....	106	BRPX09X R.....	26	CR1901LRX R1.....	31
BC7223 P.....	106	BRPX14X C.....	26	CR1903DV X R.....	34
BC7225 BZ.....	106	BRPX14X R.....	26	CR2900RX C1.....	31
BC7225 NS.....	106	BRPX1901LRX R1.....	32	CR2900RX R1.....	31
BC7226 BZ.....	106	BRPX19V120AX C.....	57	CR2901RX C1.....	31
BC7226 NS.....	106	BRPX19V120DLX C.....	57	CR2901RX R1.....	31
BC8500.....	53	BRPX19V200AX C.....	57	CR3900RX R1.....	31
BC8504.....	53	BRPX19X C.....	26	CR3901LX C1.....	31
BC9441.....	86	BRPX19X R.....	26	CR3901LX R1.....	31
BC9441 BZ.....	104	BRPX1BX C.....	26	CR3901RX C1.....	31
BC9441 NS.....	104	BRPX44X C.....	26	CR3901RX R1.....	31
BC9441 SS.....	104	BRPX44X R.....	26	CR3903LRX C1.....	31
BC9441 W.....	104	BWB0-12.....	70	CR3903LRX R1.....	31
BC96X.....	36	BWB0-15.....	70	CS400AX C.....	60
BC97X.....	36	BWB0-18.....	70	CS401B12DLX C.....	65
BCT050 BZH.....	107	BWB0-18PX.....	71	CS401DLX C.....	62
BCT050 NSH.....	107	BWB0-24.....	70	CS403DLX C.....	62
BCT060 BZH.....	107	BWB05-18.....	70	CS407AX C.....	60
BCT060 NSH.....	107	BWB08-12.....	70	CS40BX BRL.....	96
BF1-12A F.....	45	BWB08-18.....	70	CS40BX BZ.....	96
BF1-12DL F.....	46	BWB08-24.....	70	CS40BX C.....	26
BF1-12DLM F.....	46	BWB20-12.....	70	CS40BX C1.....	26
BF1-16A F.....	45	BWB20-15.....	70	CS40BX NP.....	96
BF1-16DL F.....	46	BWB20-18.....	70	CS40BX NS.....	96
BF1-20A F.....	45	BWB20-24.....	70	CS40X C.....	25
BF1-20DL F.....	46	BWB25-18.....	71	CS41BX BRL.....	96
BF3-12DL F.....	46	BWB28-18.....	71	CS41BX BZ.....	96
BF3-12DLM F.....	46	BWB28-24.....	71	CS41BX C.....	26
BF3-16DL F.....	46	C14X C.....	78	CS41BX C1.....	26
BF3-20A F.....	45	CB646 C.....	90	CS41BX NP.....	96
BF3-20DL F.....	46	CB647 C.....	90	CS41BX NS.....	96
BL12-48WA F.....	46	CB649 C.....	90	CS41X C.....	26
BL12-48WA P.....	46	CB650 C.....	90	CS425AX C.....	60
BL12-60WA F.....	46	CR1900DV SX R.....	34	CS44BX C.....	26
BL12-60WA P.....	46	CR1900DV X C.....	34	CS47BX C.....	26
BL12-72WA F.....	46	CR1900DV X R.....	34	CS47X C.....	26
BL12-72WA P.....	46	CR1900LX C1.....	31	CS500AX C.....	60
BL3-12DL F.....	46	CR1900LX R1.....	31	CS600 R.....	40
BL3-48DW F.....	47	CR1900RX C1.....	31	CT2-664X P.....	79

PART NO.	PAGE	PART NO.	PAGE	PART NO.	PAGE
CT2-666X P.....	79	G2CEPX19B200AX C.....	55	G2R07X C1.....	17
DRS44 R.....	29	G2CEPX19X C.....	18	G2R07X R.....	17
DRS44M C.....	29	G2CR09X C.....	16	G2R10X C.....	17
DRS44M R.....	29	G2CR09X C1.....	16	G2R10X C1.....	17
DRS44M R1.....	29	G2CR09X R.....	16	G2R12X C.....	17
DRS83 C.....	28	G2CR11X C.....	16	G2R12X C1.....	17
DRS83 R.....	28	G2CR11X C1.....	16	G2R15X C.....	17
DRS83 R1.....	28	G2CR14PXX C.....	16	G2R15X C1.....	17
DRS84 C.....	28	G2CR14X C.....	16	G2R17X C.....	17
DRS84 R.....	28	G2CR14X C1.....	16	G2R17X C1.....	17
DRS84 R1.....	28	G2CR14X R.....	16	G2R17X R.....	17
F0-6.....	83	G2CR1912DLX C.....	60	G2R17X R1.....	17
F0-6 C.....	83	G2CR19B120DLMX C.....	55	G2R37X C.....	17
F0-6-4 C.....	83	G2CR19B12DLX C.....	65	G2R37X C1.....	17
F0-6-4 R.....	83	G2CR19B160AX C.....	55	HES-6-12WNNMX.....	79
F0-8.....	83	G2CR19B16AX C.....	64	HES-6-12X.....	79
F0-8 C.....	83	G2CR19B200AX C.....	55	HES-8-12X.....	79
F1-11C C.....	39	G2CR19B20AX C.....	64	KT15-9 C.....	87
F1-11E C.....	40	G2CR19PXX C.....	16	KT3301X C.....	10
F1-17C C.....	39	G2CR19X C.....	16	KT3301X C1.....	10
F1-20C C.....	39	G2CR19X C1.....	16	KT3341X C.....	10
F1-20C R.....	39	G2CR19X R.....	16	KT3341X C1.....	10
FR1701LRX R1.....	32	G2CR34X C.....	16	KT3345X C.....	10
FR1901LRX C1.....	32	G2CR34X C1.....	16	KT3345X C1.....	10
FR1911CX C.....	60	G2CR34X R.....	16	KTBRPX14X C.....	11
FR1917CX C.....	60	G2CR39X C.....	16	KTBRPX19X C.....	11
FR19X C.....	26	G2CR39X C1.....	16	KTBRPX44X C.....	11
FR19X R.....	26	G2CR39X R.....	16	KTBRPX44X R.....	11
FR3911EX C.....	61	G2PC09X C.....	19	KTCR04X R.....	10
FR39X C.....	26	G2PC14X C.....	19	KTCR09X C.....	10
G23301X C.....	17	G2PC14X C1.....	19	KTCR09X C1.....	10
G23301X C1.....	17	G2PC19X C.....	19	KTCR09X R.....	10
G23305X C.....	17	G2PC19X C1.....	19	KTCR11FX C.....	10
G23305X C1.....	17	G2PR14X C.....	18	KTCR11FX C1.....	10
G23341X C.....	16	G2PR14X C1.....	18	KTCR11X C.....	10
G23341X C1.....	16	G2PR19X C.....	18	KTCR14X C.....	10
G23345X C.....	16	G2PR19X C1.....	18	KTCR14X C1.....	10
G23345X C1.....	16	G2PR19X R.....	18	KTCR1900DVX R.....	33
G2BRPX14X C.....	17	G2PS09X C.....	18	KTCR1900DVX R1.....	33
G2BRPX14X R.....	17	G2PS14X C.....	18	KTCR1901DVX R.....	33
G2BRPX19X C.....	17	G2PS19B120DLX F.....	56	KTCR1901DVX R1.....	33
G2BRPX19X R.....	17	G2PS19B200AX F.....	55	KTCR1901X R1.....	31
G2BRPX44X C.....	17	G2PS19X C.....	18	KTCR19B12AX C.....	64
G2BRPX44X R.....	17	G2QPS14X C.....	18	KTCR19B12DLMX C.....	65
G2CEPX14X C.....	18	G2QPS19X C.....	18	KTCR19B12DLX C.....	65
G2CEPX19B160AX C.....	55	G2R07X C.....	17		

PART NO.	PAGE	PART NO.	PAGE	PART NO.	PAGE
KTCR19B16AX C.....	64	NEV3-C1X.....	35	OCR1915AX C.....	59
KTCR19B20AX C.....	64	NSWN-1 C.....	88	OCR1920AX BZ.....	99
KTCR19X C.....	10	NSWN-1 R.....	88	OCR1920AX C.....	59
KTCR19X C1.....	10	NSWN-2 C.....	88	OCR1920AX NS.....	99
KTCR34X C.....	10	NSWRA1.....	88	OCR1920CX C.....	59
KTCR39X C.....	10	NV104-4-2X.....	35	OCR1920DLX BZ.....	99
KTCS400AX C.....	60	NV104-5-2X.....	35	OCR1920DLX C.....	60
KTCS401DLX C.....	61	NV104-EE1X K1.....	35	OCR1920DLX NS.....	99
KTCS403DLX C.....	61	NV105-4X.....	35	OCR19B120DLMX C.....	56
KTCS40BX C.....	11	NV105-6X.....	35	OCR19B120DLX C.....	56
KTCS40X C.....	11	NV106-4-2X.....	35	OCR19B12AX C.....	64
KTCS41BX C.....	11	03301X C.....	24	OCR19B12DLMX C.....	65
KTCS41X C.....	11	03301X C1.....	24	OCR19B12DLX C.....	65
KTPR04X R.....	12	03301X R.....	24	OCR19B160AX C.....	56
KTPR14X C.....	12	03305X C.....	24	OCR19B160KCX C.....	56
KTPR14X C1.....	12	03305X C1.....	24	OCR19B16AX C.....	64
KTPR19X C.....	12	03341X C.....	22	OCR19B16DLX C.....	65
KTPR19X C1.....	12	03341X C1.....	22	OCR19B200AX C.....	56
KTR04X R.....	11	03341X R.....	22	OCR19B200KCX C.....	56
KTR07X C.....	10	03345X C.....	23	OCR19B20AX C.....	64
KTR09X C.....	11	03345X C1.....	23	OCR19B600DW6 C.....	56
KTR10X C.....	10	OCR09X C.....	22	OCR19B720DW6 C.....	56
KTR12X C.....	10	OCR09X C1.....	22	OCR19B90DLX C.....	56
KTR12X C1.....	10	OCR09X R.....	22	OCR19PXX C.....	22
KTR14X C.....	11	OCR11X C.....	22	OCR19PXX R.....	22
KTR14X C1.....	11	OCR11X C1.....	22	OCR19V120DLX C.....	57
KTR14X R.....	11	OCR11X R.....	22	OCR19V160AX C.....	57
KTR15X C.....	10	OCR1412DLX C.....	61	OCR19V200AX C.....	57
KTR15X C1.....	10	OCR14PXX C.....	22	OCR19V600DW6 C.....	58
KTR17X C.....	10	OCR14X BZ.....	94	OCR19V720DW6 C.....	58
KTR17X C1.....	10	OCR14X C.....	22	OCR19V90DLX C.....	57
KTR19X C.....	11	OCR14X C1.....	22	OCR19X BZ.....	94
KTR19X C1.....	11	OCR14X NP.....	94	OCR19X C.....	22
KTR19X R.....	11	OCR14X NS.....	94	OCR19X C1.....	22
KTR37X C.....	10	OCR14X P.....	94	OCR19X NP.....	94
KTS15SX-2+3.....	13	OCR14X R.....	22	OCR19X NS.....	94
KTSCR19X C.....	13	OCR14X R1.....	22	OCR19X P.....	94
KTSCR39X C.....	13	OCR1912AX C.....	59	OCR19X R.....	22
KTSCS400AX C.....	13	OCR1912AX R.....	59	OCR19X R1.....	22
KTSCS401DLX C.....	13	OCR1912DEX C.....	60	OCR1BX C.....	22
KTSCS40BX C.....	13	OCR1912DLX BZ.....	99	OCR29X C.....	22
KTSR14X C.....	13	OCR1912DLX C.....	60	OCR29X C1.....	22
KTSR15X C.....	13	OCR1912DLX NS.....	99	OCR29X R.....	22
KTSR17X C.....	13	OCR1912EX C.....	60	OCR34X C.....	22
KTSR19X C.....	13	OCR1912KCX C.....	59	OCR34X C1.....	22
LKC.....	88	OCR1912KCX R.....	59	OCR34X R.....	22



PART NO.	PAGE	PART NO.	PAGE	PART NO.	PAGE
OCR3912AX C.....	59	OR1720AX C.....	59	PR14X C1 .....	27
OCR3912DLX C.....	60	OR17B12AX C.....	64	PR14X NS.....	97
OCR3920AX C.....	59	OR17B12DLX C.....	65	PR14X R.....	27
OCR3920AX R.....	59	OR17B16AX C.....	64	PR1901DVX R.....	34
OCR39X C.....	22	OR17B20AX C.....	64	PR1901LRX R1 .....	32
OCR39X C1.....	22	OR17X BZ.....	95	PR1920AX C.....	60
OCR39X R.....	22	OR17X C.....	23	PR19B120DLX C.....	56
OCR3AX C.....	22	OR17X C1.....	23	PR19B160AX C.....	56
OCR3BX C.....	22	OR17X NP.....	95	PR19B200AX C.....	56
OCR49X C.....	22	OR17X NS.....	95	PR19B200KCX C.....	56
OF CR19X C.....	23	OR17X P.....	95	PR19B600DW6 C.....	57
OFR12X C.....	24	OR17X R.....	23	PR19B90DLX C.....	56
OFR15X C.....	24	OR17X R1.....	23	PR19V120DLX C.....	57
OFR1711EX C.....	61	OR27X C.....	23	PR19V160AX C.....	57
OFR1717CX C.....	59	OR27X C1.....	23	PR19V200AX C.....	57
OFR17X C.....	24	OR32X C.....	24	PR19V600DW6 C.....	58
OFR17X R.....	24	OR32X C1.....	24	PR19V720DW6 C.....	58
OFR37X C.....	24	OR35X C.....	23	PR19V90DLX C.....	57
OR07X C.....	23	OR37B12DLX C.....	65	PR19X BZ.....	96
OR07X C1.....	23	OR37X C.....	23	PR19X C.....	26
OR07X R.....	23	OR37X C1.....	23	PR19X C1.....	26
OR1012DLX C.....	61	OR37X R.....	23	PR19X NS.....	96
OR10X BZ.....	95	OR82X C.....	24	PR19X R.....	26
OR10X C.....	24	OR90X C.....	24	PR34X C.....	27
OR10X C1.....	24	OR90X R.....	24	PR34X R.....	27
OR10X NS.....	95	OR95X C.....	24	PR39X C.....	26
OR10X R.....	24	P1-12A.....	40	PR39X R.....	26
OR12X BZ.....	95	P1-12DL.....	40	PRB-12-8X.....	76
OR12X C.....	24	P1-15A.....	40	R04X C.....	25
OR12X C1.....	24	P1-15DL.....	40	R04X R.....	25
OR12X NS.....	95	P1-20A.....	40	R04X R1.....	25
OR12X R.....	24	P1-20DL.....	40	R09X C.....	25
OR1512AX C.....	59	P1-30A.....	40	R09X C1.....	25
OR1512DLX C.....	61	P1-36A.....	40	R09X R.....	25
OR15B20AX C.....	64	P14CX R.....	80	R09X R1.....	25
OR15X BZ.....	94	P44CX R.....	80	R10-2+5.....	87
OR15X C.....	23	P48FX R.....	80	R14X C.....	25
OR15X C1.....	23	P48MX R.....	80	R14X C1.....	25
OR15X NP.....	94	P48WX R.....	80	R14X R.....	25
OR15X NS.....	94	P72FX R.....	80	R14X R1.....	25
OR15X P.....	94	P72MX R.....	80	R1501LRX C1.....	31
OR15X R.....	23	PCT-10-6.....	18	R15-10T BZH.....	100
OR1712AX C.....	59	PNEV-NCVX.....	36	R15-10T C.....	87
OR1712DLX C.....	61	PR09X R.....	26	R15-10T NPH.....	100
OR1715AX C.....	59	PR14X BZ.....	97	R15-10T NSH.....	100
OR1715DLX C.....	61	PR14X C.....	27	R15-10T PH.....	100

PART NO.	PAGE	PART NO.	PAGE	PART NO.	PAGE
R15-10T R.....	87	S0-60IM F.....	50	SL12-72WA F.....	49
R15-10TP C.....	87	S0-72IM F.....	50	SSR44 R.....	28
R15-5.....	87	S0-84IM F.....	50	SSR44M C.....	28
R15-6.....	89	S0-96IM F.....	50	SSR44M R.....	28
R15-6P.....	87	S1-12A F.....	49	SSR83 R.....	28
R15-78F.....	87	S1-12DL F.....	49	SSR83AA C.....	28
R15-9 C.....	87	S1-12DLM F.....	49	SSR83AA R.....	28
R15S-2+5 R.....	87	S1-12DW F.....	50	SSR84 C.....	28
R15S-2P+5.....	87	S1-12KC F.....	49	SSR84 R.....	28
R15S-3 C.....	87	S1-16A F.....	49	SWB00-12N.....	75
R1700DVX R.....	34	S1-16DL F.....	49	SWB00-15N.....	75
R1700RX C1.....	31	S1-16DW F.....	50	SWB00-18N.....	75
R1700RX R1.....	31	S1-20A F.....	49	SWB00-24N.....	75
R1701DVX R.....	34	S1-20DL F.....	49	SWB07-18N.....	75
R1701LRX C1.....	31	S1-20DW F.....	50	TK30RB21-18G3X.....	69
R1701LRX R1.....	31	S1-20KC F.....	49	TK30RB21-18X.....	69
R1901LRX C1.....	32	S1-30A F.....	49	TK30RB21-24G3X.....	69
R1901LRX R1.....	32	S1-48DW12 F.....	50	TK30RB21-24X.....	69
R1912AX C.....	59	S1-48DW6 F.....	50	TK3SRB21-18X.....	69
R1912AX R.....	59	S1-48DW612 F.....	50	TK3SRB21-24X.....	69
R1912DLX C.....	61	S15-10 C.....	87	TS-6X.....	88
R1912KAX R.....	59	S15S-2+5TP.....	87	TS-8X.....	88
R1920AX C.....	59	S15S-3 C.....	87	TWV30RX.....	68
R19B12AX C.....	64	S15S-3 R.....	87	TWV30X.....	68
R19B12DLX C.....	65	S1-60DW F.....	50	TWV3SRX.....	69
R19B20AX C.....	64	S1-60DW12 F.....	50	TWV3SX.....	68
R19X C.....	25	S1-60DW6 F.....	50	V1-120DW F.....	52
R19X C1.....	25	S1-60DW612 F.....	50	V1-12A F.....	51
R19X R.....	25	S1-72DW12 F.....	50	V1-12AM F.....	51
R19X R1.....	25	S1-72DW6 F.....	50	V1-12DL F.....	52
R1BX C.....	25	S1-72DW612 F.....	50	V1-12KC F.....	52
R2700RX R1.....	31	S1-9DL F.....	49	V1-16A F.....	51
R34X C.....	25	S3601X C.....	66	V1-16AM F.....	51
R34X C1.....	25	S8-12A F.....	49	V1-16DL F.....	52
R34X R.....	25	S8-12DL F.....	49	V1-20A F.....	51
R34X R1.....	25	S8-16A F.....	49	V1-20AM F.....	51
R3700RX R1.....	31	S8-16DL F.....	49	V1-20DL F.....	52
R3701RX C1.....	31	S8-20A F.....	49	V1-20KC F.....	52
R3701RX R1.....	31	S8-20DL F.....	49	V1-30A F.....	51
R3703LRX C1.....	31	S8-30A F.....	49	V1-30AM F.....	51
R3703LRX R1.....	31	SC.....	89	V1-36A F.....	51
R39X C.....	25	SJ300 C.....	89	V1-36AM F.....	51
R39X C1.....	25	SJ300 R.....	89	V1-9DL F.....	52
R39X R.....	25	SJ307.....	87	V3-12AM F.....	51
S0-120IM F.....	50	SL12-48WA F.....	49	V3-12DL F.....	52
S0-12IM F.....	50	SL12-60WA F.....	49	V3-16A F.....	51

PART NO.	PAGE	PART NO.	PAGE	PART NO.	PAGE
V3-16AM F	51	WC33-12	74	XCS41BX NP	96
V3-20A F	51	WC33-18	74	XCS41BX NS	96
V3-20AM F	51	WC33-24	74	XKT15-10 BZH	100
V3-36A F	51	WC43-12	73	XKT15-10 NSH	100
V8-12DL F	52	WC43-15	73	XKTCR14X BZ	93
V8-16AM F	51	WC43-18	73	XKTCR14X NS	93
V8-16DL F	52	WC43-24	73	XKTCR1912DLX BZ	99
V8-20A F	51	WC44-12	73	XKTCR1912DLX NS	99
V8-20AM F	52	WC44-15	73	XKTCR1920AX BZ	99
V8-36AM F	52	WC44-18	73	XKTCR1920AX NS	99
V8-9DL F	52	WC44-24	73	XKTCR19X BZ	93
VF1-12A F	52	WC55-18	74	XKTCR19X NS	93
VF1-12AM F	52	WC65-12	73	XKTCS40BX BZ	93
VF1-12DL F	52	WC65-15	73	XKTCS40BX NS	93
VF1-20A F	52	WC65-18	73	XKTCS41BX BZ	93
VF1-20AM F	52	WC65-24	73	XKTCS41BX NS	93
VF1-20DL F	52	WC66-12	73	XKTPR14X BZ	93
VF3-12DL F	52	WD65-15	67	XKTPR14X NS	93
VF3-20A F	52	WRJ	76	XKTPR19X BZ	93
WB00-12N	72	WRU-12-12X	76	XKTPR19X NS	93
WB00-15N	72	WRU-12PXX	76	XPR14X BZ1	97
WB00-18N	72	WRU-16-12X	76	XPR14X NS1	97
WB00-24N	72	WWCD	76	XPR19X BZ1	96
WB03-12N	72	X15-10 BZH	100	XPR19X NS1	96
WB03-15N	72	X15-10 C	87	XR10X BZ1	95
WB03-18N	72	X15-10 NPH	100	XR10X NS1	95
WB03-24N	72	X15-10 NSH	100	XR12X BZ1	95
WB034-12N	72	X15-10 PH	100	XR12X NS1	95
WB034-15N	72	XCR14X BZ1	94	XR15X BZ1	95
WB034-18N	72	XCR14X NP1	94	XR15X NP1	95
WB034-24N	72	XCR14X NS1	94	XR15X NS1	95
WB07-18	73	XCR14X P1	94	XR15X P1	95
WB07-24	73	XCR1920AX BZ	99	XR17X BZ1	95
WB10-18N	72	XCR1920AX NS	99	XR17X NP1	95
WB134-18N	72	XCR1920DLX BZ	99	XR17X NS1	95
WB134-24N	72	XCR1920DLX NS	99	XR17X P1	95
WB20-12N	73	XCR19X BZ1	94	XXR15-10R C	87
WB20-15N	73	XCR19X NP1	94	XXR15-10R R	87
WB20-18N	73	XCR19X NS1	94		
WB20-24N	73	XCR19X P1	94		
WB23-18N	73	XCS40BX BRL	96		
WB234-12N	73	XCS40BX BZ	96		
WB234-15N	73	XCS40BX NP	96		
WB234-18N	73	XCS40BX NS	96		
WB234-24N	73	XCS41BX BRL	96		
WB27-18	73	XCS41BX BZ	96		

**Distributed by:**

**Committed to Quality, Driven by Innovation.**

Product offering and availability are subject to change. Please contact BrassCraft Customer Service toll-free at 877-272-7755 for verification or ROA access.



**BrassCraft®**



Scan for direct  
access to the  
BrassCraft®  
Water Supplies  
List Price  
Schedule

**BrassCraft Manufacturing**  
39600 Orchard Hill Place  
Novi, Michigan 48375-5331  
TOLL-FREE: (877) 272-7755  
FAX: (248) 305-6011

350 South Edgeware Road  
St. Thomas, Ontario Canada N4P 4C4  
TOLL-FREE: (800) 265-4322  
FAX: (800) 567-9100