

CAMICO

PLUMBING & HARDWARE

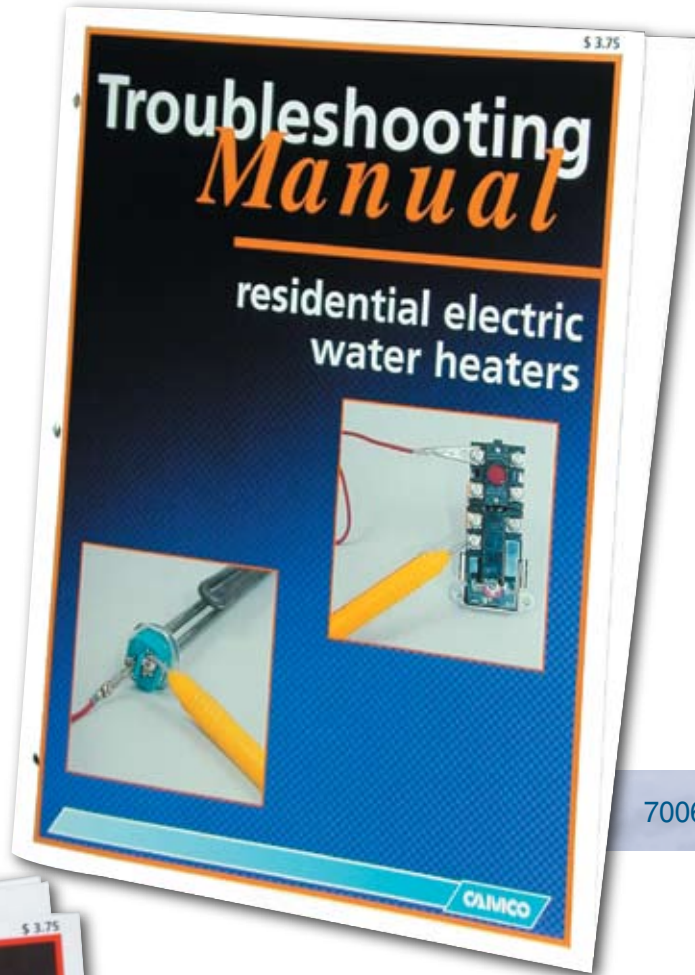


REPAIR PARTS & ACCESSORIES

Troubleshooting Manuals

For Water Heaters

Camco Mfg., Inc. has published a water heater repair guide for do-it-yourselfers. The Troubleshooting Manual for residential electric water heaters assists with home repair by providing charts, diagrams and explanations of various types of hot water heaters and their replacement parts. Written by Camco's knowledgeable and experienced plumbing and hardware staff, the manual assists in identifying problems with water heaters and guides the buyer through the choice and installation of appropriate repair parts.



70061

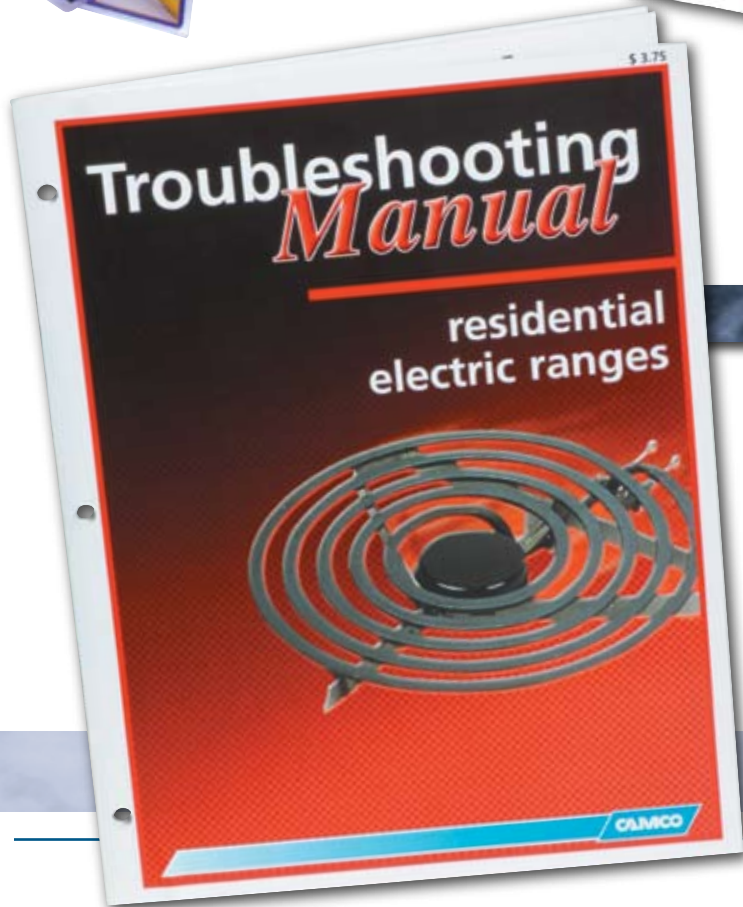
Stock#	Description
--------	-------------

70061	Water Heater Troubleshooting Manual
70115	Electric Range Troubleshooting Manual



Water Heater Tester #10023

Camco's Water Heater Tester is a useful troubleshooting tool for electric water heater and range elements and thermostats.



For Ranges

The Troubleshooting Manual for residential electric ranges is a guide to assist in the repair of the most common household cooking ranges. This manual tells the handyman how to identify the most common problems and assists in the selection of the correct replacement parts. The focus of this manual is on the simple replacement of burners, oven elements, pans and control knobs by providing explanations and descriptions of the variety of repair parts offered by Camco Manufacturing.

70115

- **Quality Guaranteed**
- **Innovation**
- **Customer Satisfaction**

These aren't just catch phrases at Camco - they're our goals. And we work toward them every day, from the front office to shipping and every department in between. Each of our more than 200 employees stands behind the products that bear the Camco name.

When Camco began in 1968 with one employee and one product, there was little indication that we would experience the phenomenal growth that resulted in our being named to the North Carolina 100 by Business North Carolina for the years 2000, 2001, and 2002. But hard work, determination and adherence to these ideals have enabled us to achieve great success.

We take pride in providing outstanding service. Most orders received by noon are shipped the same day. Our friendly, knowledgeable customer service staff stands ready to assist our customers with any questions.

Camco is a small, privately-held company with big aspirations. When you place an order with us, we'll demonstrate this with our actions. Let us help make your business as successful as it can be.

Don Caine

President



Contents

Water Heater Diagram	4
Water Heater Elements	5
Plumber's Packs	7
Thermostats	8
Gas Water Heater Parts and Accessories	10
Water Heater Connectors and Kits	11
Water Heater Accessories	12
Range Parts and Accessories	15
Displays	20
Olympian™ <small>A division of Camco</small>	24
Antifreeze and Accessories	30
Index	31
Water Heater FAQ	34



Greensboro, North Carolina



Elkhart, Indiana



Portland, Oregon

plbgandhdwe@camco.net
www.camco.net

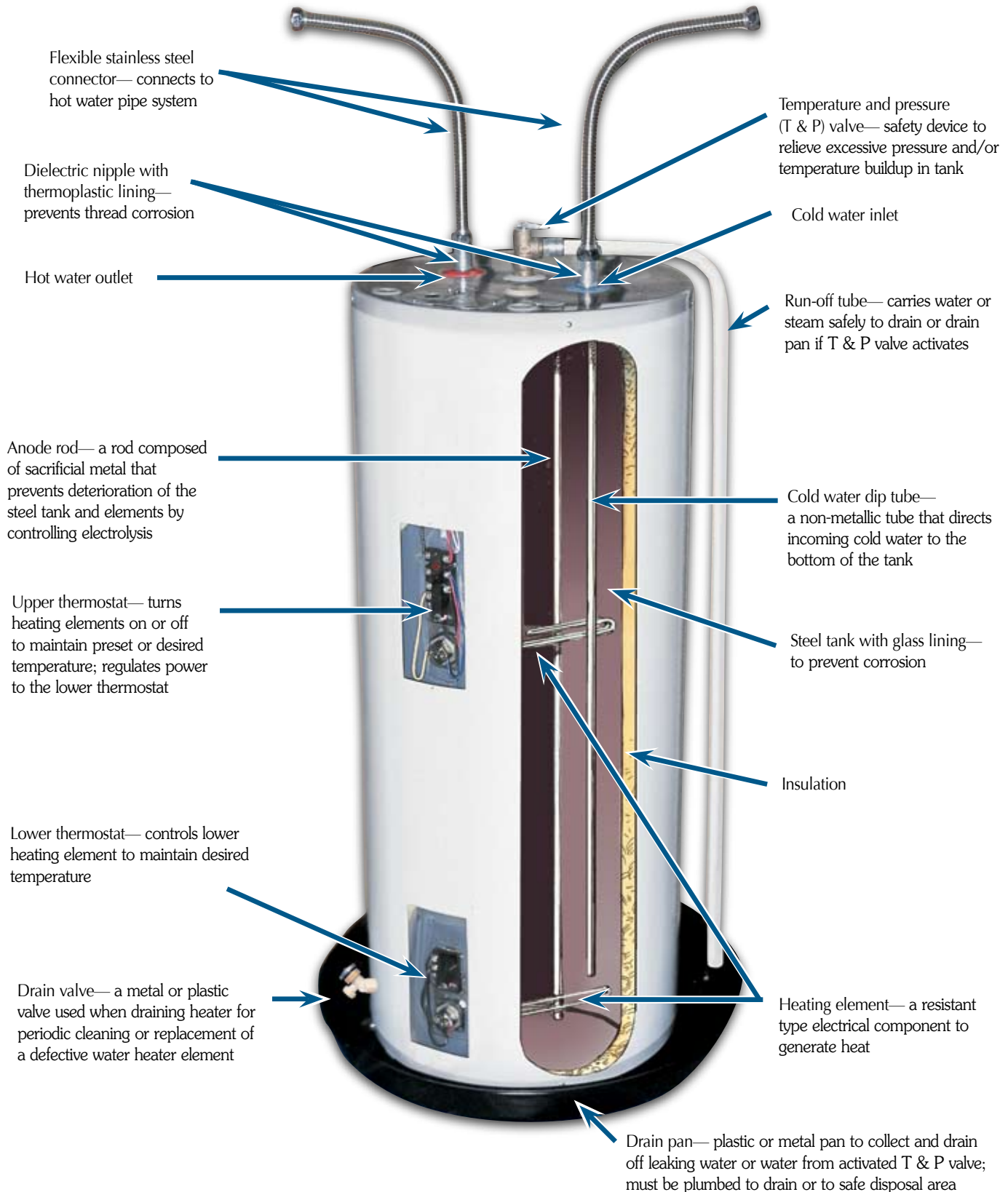
Toll Free: 800-334-2004
 NC: 336-668-7661
 FAX: 336-668-2049

Camco Mfg., Inc.
 121 Landmark Drive
 Greensboro, NC 27409



Residential Electric Water Heater Construction

Water Heater Diagram



Premium—Lime Life Water Heater Elements

Our best immersion elements—with lifetime warranty*

- UL & CSA listed • Gasket included • Best when water has high mineral content • Withstands dry firing
- Heats in lime and sand buildup that would burn out ordinary elements • Highest grade nickel and chromium incoloy
- Ultra low-watt density (50 watts per square inch)

Stock#	Description	Minimum Tank Diameter	Qty.
Screw-In			
02853	1500w 120v	12"	12
Screw-In Foldback			
02903	2500w 240v	11"	12
02913	3500w 240v	13"	12
02923	4500w 240v	14"	6
02933	5500w 240v	14"	12
Screw-In Ripple Foldback			
02953	4500w 240v	14"	6
02963	5500w 240v	14"	3
Universal Flange/Foldback			
04943	4500w 240v	14"	12
04963	5500w 240v	14"	12
Special Order Only			
02152	1500w 240v Screw-In		25

* Camco Mfg., Inc. offers a limited lifetime warranty on our Lime Life elements used in residential water heaters and agrees to replace the element to the original purchaser if it ever proves to be defective in workmanship or materials (does not include labor costs to remove the defective element and install the replacement). Complete warranty available on request.



Water Heater Elements

Better—Low Watt Density Elements

- UL & CSA listed • Gasket included • Detailed instructions included with each packaged element
- 1 year warranty • Low watt density (75+ watts per square inch)

Stock#	Description	Minimum Tank Diameter	Qty.
Screw-In			
02463	1500w 120v	10"	12
Screw-In Foldback			
02493	2500w 240v	14"	12
02523	3500w 240v	12"	12
02583	4500w 240v	12"	12
02613	6000w 240v	16"	12
Duron® Foldback Elements			
1-3/8" thread screw-in style elements for the State Industries manufactured Duron® tank water heaters. Also used in Sears brand Duron® tank water heaters.			
02713	3800w 240v 1-3/8"	12"	12
02723	4500w 240v 1-3/8"	14"	12
Flat Flange			
04103	4500w 240v	14"	12
Universal Flange			
04703	4500w 240v	14"	12



Stock elements that end in 3 are skinpacked. To order items in bulk, change the last digit of the stock number to 2. Standard carton quantity for bulk elements is 25. See page 7 for Replacement Gaskets.

Economy—High and Medium Watt Density Elements

- UL listed • 1 year warranty • Gasket included • Detailed instructions included with each packaged element
- High watt density (150+ watts per square inch) • Medium watt density (100–150 watts per square inch)

W H Element Accessories

Stock#	Watts @ 240	Watts @ 208	Volts	Kind	Minimum Tank Diameter	Qty.
Screw-In						
02103	1000w	N/A	120v	HWD	8"	12
02143	1500w	N/A	120v	HWD	8"	6
02163	1500w	1200w	240v	HWD	8"	12
02183	1750w	N/A	120v	HWD	8"	12
02203	2000w	N/A	120v	HWD	8"	12
02223	2000w	1500w	240v	HWD	8"	12
02243	2500w	2000w	240v	HWD	14"	12
02263	3000w	2250w	240v	HWD	10"	6
02283	3500w	2500w	240v	HWD	12"	12
02293	3800w	3000w	240v	HWD	12"	12
02303	4000w	3000w	240v	HWD	12"	12
02340	4500w	3500w	240v	HWD	12"	6
02343	4500w	3500w	240v	HWD	12"	12

Screw-In Foldback						
02363	5500w	N/A	240v	HWD	12"	12
02643	4500w	3500w	240v	MWD	10"	12

Round Head Flange						
03342	4500w	N/A	240v	HWD-Bulk	14"	25

Flat Flange						
03743	1500w	N/A	120v	HWD	8"	12
03923	3500w	2500w	240v	HWD	12"	12
03943	4500w	3500w	240v	HWD	14"	12

Universal Flange						
04363	1500w	N/A	120v	HWD	8"	3
04383	1500w	1200w	240v	HWD	8"	12
04443	2000w	N/A	120v	HWD	8"	12
04483	2500w	2000w	240v	HWD	10"	12
04503	3000w	2250w	240v	HWD	10"	12
04523	3500w	2500w	240v	HWD	12"	12
04563	4000w	3000w	240v	HWD	12"	12
04603	4500w	3500w	240v	HWD	14"	6
04643	5500w	4125w	240v	HWD	12"	12

Universal Flange/Foldback						
04803	4500w	3500w	240v	MWD	9"	12

Special Orders Only

Stock#	Description	Length	Qty.
High Watt Density			
02382	4500w 480v Screw-In Element	10 1/2"	25
02352	5000w 480v Screw-In Element	10 3/4"	12
02392	6000w 480v Screw-In Element	12 3/4"	25
04722	2000w 277v Hairpin Design	7 3/4"	25
04732	4500w 277v Hairpin Design	13 9/16"	25
04742	6000w 277v Foldback Design	11 3/4"	25

Low Watt Density

04752	2000w 277v Hairpin Design	7 3/4"	25
04762	4500w 277v Hairpin Design	13 9/16"	25
04772	6000w 277v Foldback Design	11 3/4"	25
06712	Screw-In Thermostat Bracket		25
06912	Dip Tube Gasket		100



Element Accessories

Stock#	Description	Qty.
Element Accessories		
06822	Screw-In Element Gasket OD-1.425" ID-1.225" Thickness- 0.165"	25
06842	1/2" Thick Round Rubber Element Gasket OD-1.625" ID-1.1875" Thickness- 0.50"	25
06882	Universal Element Gasket OD-1.625" ID-1.1875" Thickness- 0.40"	25
06902	Four Hole Element Gasket OD-ID 1.5625" Thickness- 0.1"	25

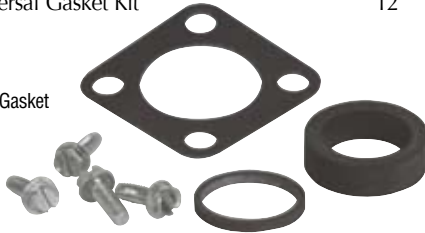


Element Gasket Kit

07222	2 1/2" Hex Bolt Adopt-A-Flange	50
07133	Universal Gasket Kit	12

Contains:

- (1) Screw-In Gasket
- (1) Universal Flange Gasket
- (1) Four Hole Gasket
- (4) 1/4" - 20 x 3/4" Hex Bolt



Everything to install flat, screw-in and universal flange elements

Element Conversion Kit

07223	Universal Adapter Kit	12
-------	-----------------------	----



Contains:

- (1) 2 1/2" 4-bolt Adapt-a-Flange
- (1) Screw-In Gasket
- (1) Four Hole Gasket
- (1) Thermostat Bracket
- (4) 5/16" - [No. 18] 5/8" Hex Bolt—Washers

Water Heater Repair Kits

for the professional plumber

All the parts needed to repair or renew an electric water heater system

Stock#	Description	Qty.
--------	-------------	------

Plumber's Packs

07013	Plumber's Pack w/Therm-O-Disc Style T-stats	6
-------	---	---

Contains:

- (2) High Watt Density Elements #02342 4500w 240v
- (1) TOD lower thermostat #08122
- (1) TOD upper thermostat #08162

07023	Plumber's Pack w/Apcom Style Thermostats	6
-------	--	---

Contains:

- (2) High Watt Density Elements #02342 4500w 240v
- (1) Apcom style lower thermostat w/protector #07722
- (1) Apcom style upper thermostat w/protector #07862

LWD Plumber's Packs (not shown)

07033	Plumber's Pack w/Therm-O-Disc Style T-stats	6
-------	---	---

Contains:

- (2) Low Watt Density elements #02582 4500w 240v
- (1) TOD style lower thermostat #08122
- (1) TOD style upper thermostat #08162

07043	Plumber's Pack w/Apcom Style Thermostats	6
-------	--	---

Contains:

- (2) Low Watt Density elements #02582 4500w 240v
- (1) Apcom style lower thermostat w/protector #07722
- (1) Apcom style upper thermostat w/protector #07862

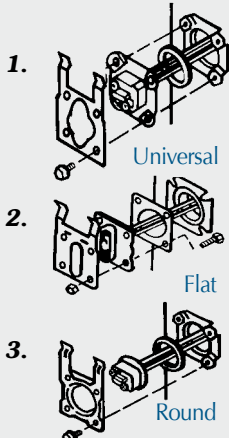
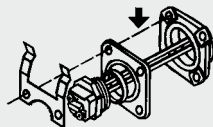


ABOUT ELEMENT CONVERSION KITS

Convert a standard screw-in element to fit a flat, universal or round flange element using the element conversion kit.

This adapter kit is intended for use with a screw-in type element to replace water heater elements that look like figures 1, 2 or 3.

Replacement gasket goes here.



Directions:

Remove screws and discard old element and thermostat bracket. Install screw-in element and gasket supplied with element into square adapter flange. Tighten firmly. Next, install gasket (supplied with this kit) in element seat, being careful to ensure a good seat. See diagrams to determine which gasket to use. Install element with new thermostat bracket using old screws or new ones provided. Be careful that screws are not too long and bottom out against the tank.

Open Coil Dry Water Heater Elements

Stock#	Watts	Volts	Insulators	Minimum Tank Diameter	Pkg. Qty.
--------	-------	-------	------------	-----------------------	-----------

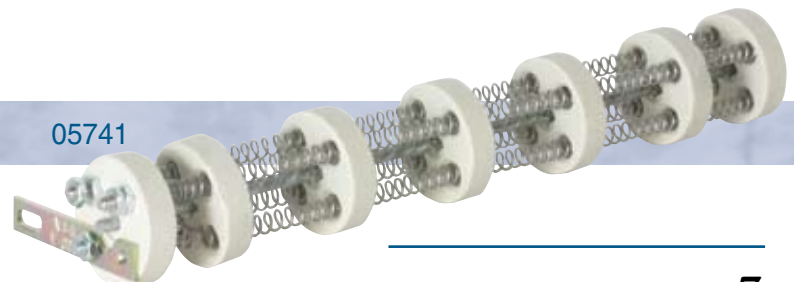
Open Coil Elements

Supreme Model - Heavy gauge nichrome wire w/spot welded terminals

05701	1000w	120v	6	11"	Box	12
05741	1500w	120v	7	12 3/4"	Box	12
05761	1750w	120v	7	12 3/4"	Box	12
05781	2000w	120v	7	12 3/4"	Box	12
05802	2000w	240v	7	12 3/4"	Bulk	25

Economy Model - Smaller gauge nichrome wire w/spot welded terminals

05901	1500w	120v	6	11"	Box	12
05902	1500w	120v	6	11"	Bulk	25



05741

Water Heater Thermostats—Apcom Style

UL listed • Meets original specification lengths for State, Reliance, Kenmore, Bradford White

Stock#	Description	Qty.
--------	-------------	------

Apcom Style

07863	Upper Thermostat w/HLC - Skinpack	6
07723	Lower Thermostat - Skinpack	6
07843	Single Element Thermostat w/HLC - Skinpack	6

Apcom Style

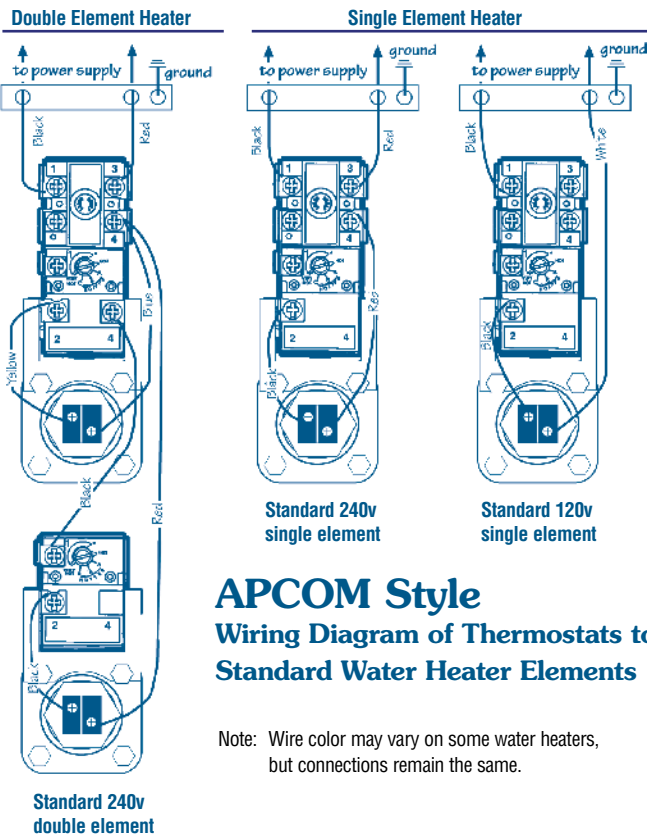
Extended shank thermostats for heaters with external control knob

07853	Single Element Thermostat w/HLC - Skinpack	12
07733	Lower Thermostat w/HLC - Skinpack	6

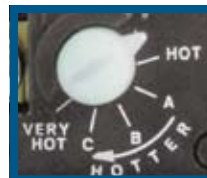
- Energy efficient range setting
- Built-in safety switch to prevent overheating
- Skinpacked thermostats are packed in convenient cut cases and come complete with detailed instructions and wiring diagrams for easy installation



Apcom thermostats are provided with a plastic shock shield. All thermostats should have a shield in place before the water heater cover plate is reinstalled.



APCOM Style Wiring Diagram of Thermostats to Standard Water Heater Elements



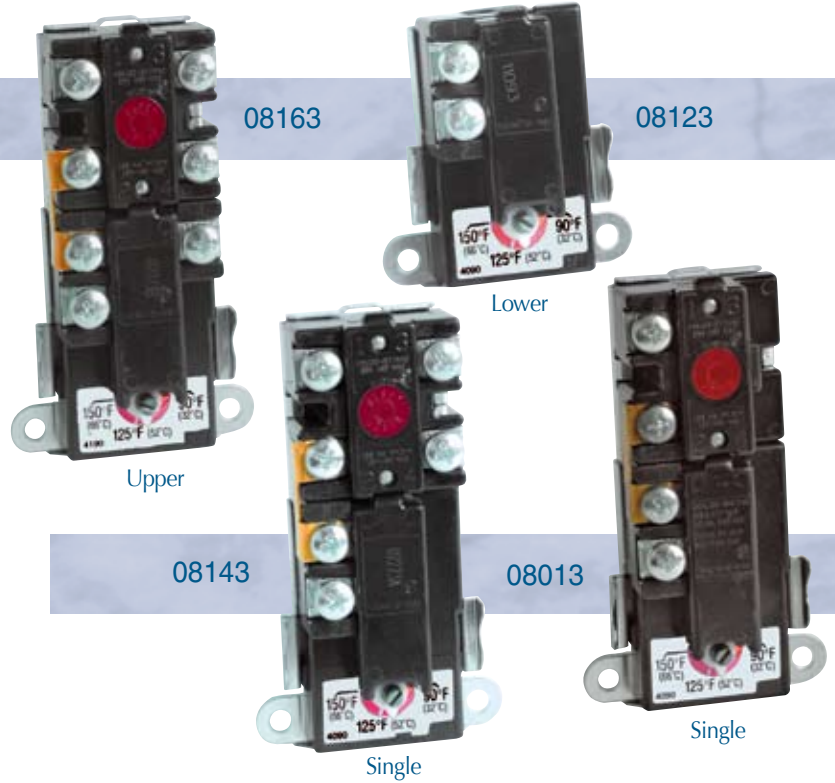
Apcom Style Settings

Dot = 110°F B = 140°F
 Hot = 120°F C = 150°F
 A = 130°F Very Hot = 160°F

Water Heater Thermostats—Therm-O-Disc Style

UL listed • Meets original specification lengths for Rheem, Ruud, Richmond, A. O. Smith, American, and GSW

- Energy efficient range setting
- Built-in safety switch to prevent overheating
- Most skinpacked thermostats are packed in convenient cut cases and come complete with detailed instructions and wiring diagrams for easy installation

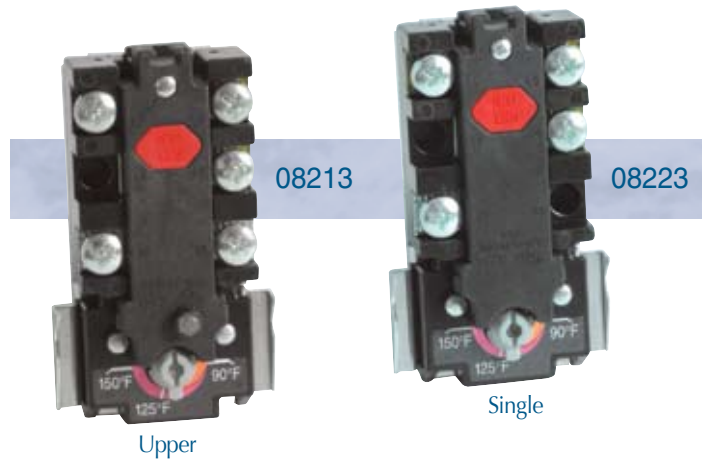


Stock#	Description	Qty.
Therm-O-Disc Style		
08161	Upper Thermostat w/HLC & shield	6
08163	Upper Thermostat w/HLC	12
08213	89t Upper Thermostat w/HLC	12
08141	Single Element Tstat w/HLC & shield	6
08143	Single Element Thermostat w/HLC	12
08013	Single Element 120v Thermostat	12
08223	89t Single Element	12
08121	Lower Thermostat w/shield	6
08123	Lower Thermostat	12

Commercial Thermostats

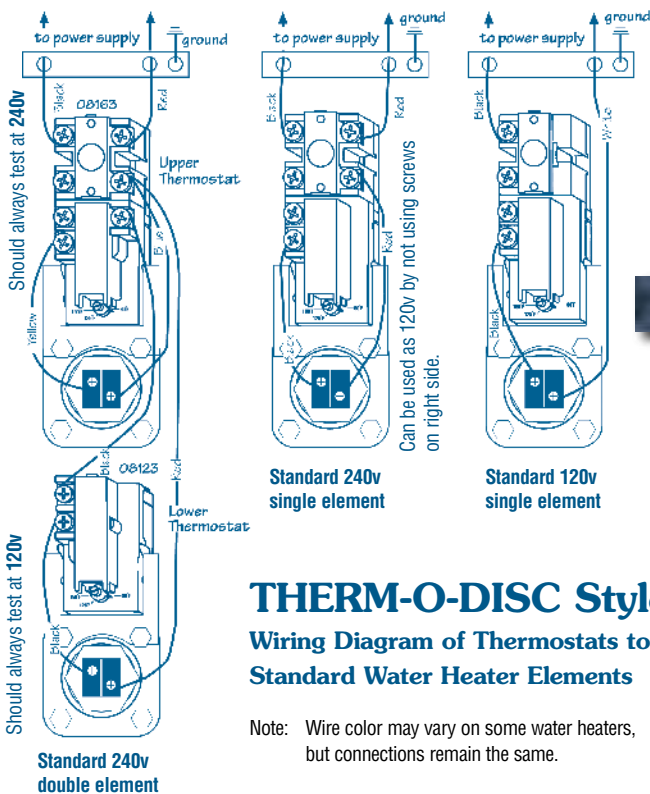
08304	Upper 180° Commercial Thermostat	6
08314	Lower 180° Commercial Thermostat	6

* Not for residential use.



Double Element Heater

Single Element Heater



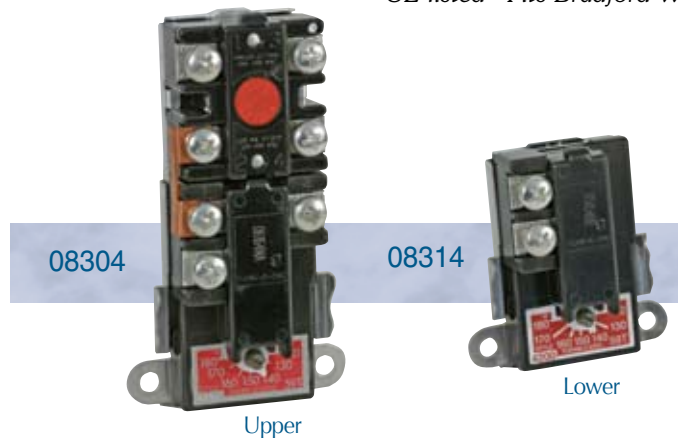
THERM-O-DISC Style

Wiring Diagram of Thermostats to Standard Water Heater Elements

Note: Wire color may vary on some water heaters, but connections remain the same.

Water Heater Thermostats—Commercial

UL listed - Fits Bradford White



Stock thermostats that end in 3 are skinpacked. To order items in bulk, change the last digit of the stock number to 2. Standard carton quantity for bulk elements is 25.

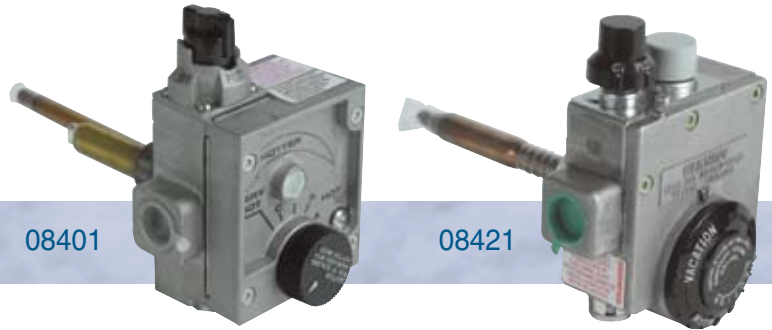
Gas Water Heater Parts and Accessories

Stock#	Description	Qty.
--------	-------------	------

Natural Gas Controls

- 4" water column • 1-1/4" shank length • 1/2" NPT gas inlet by 1/2" inverted flare outlet • Adjustable 70° to 160° F

08401	White-Rodgers 42000 BTU	1
08421	Robertshaw 79000 BTU	1



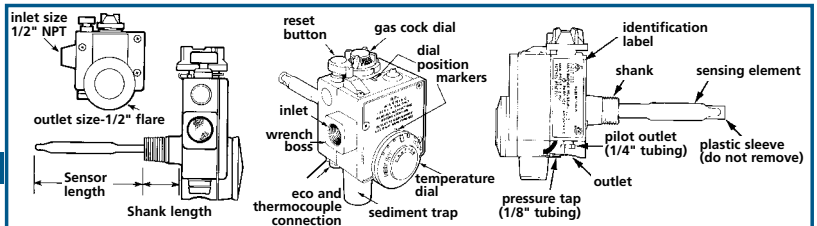
LP Gas Controls

- Preset 10" water column - adjustable from 9" to 12"
- 1/2" NPT gas inlet by 1/2" inverted flare outlet
- 1-5/8" shank length • Adjustable 120° to 160° F
- 100,000 BTU

08461	(Left Hand Threads) Robertshaw for heaters manufactured after January 1986	1
-------	--	---

Gas Control Accessories

09072	Gas Control Extender • Adds shank length to gas controls • 2" overall length • 3/4" MPT x 3/4" FPT • Dielectric construction • Thermoplastic lining prevents corrosion	50
-------	---	----



09963	Gas Control Wrench - Universal For simple installation and removal of gas controls. Adjustable with positive-lock case hardened screw.	2
-------	---	---



Thermocouples

Kits contain thermocouple and positioning adapters to fit all gas water heaters as well as gas appliances. Made with copper tubing.

09253	12" Thermocouple Kit	6
09273	18" Thermocouple Kit	6
09293	24" Thermocouple Kit	6
09313	30" Thermocouple Kit	6
09333	36" Thermocouple Kit	6
09353	48" Thermocouple Kit	6

Thermocouple Assessories

Tests old thermocouples before replacing and checks new ones before installation. Fast and easy to use. Complete instructions included.

09433	Thermocouple Tester	3
-------	---------------------	---



Pressure and Leak Testing

Safe, clean-drying gas leak detector fluid detects dangerous leaks in anything that can be tested with air or gas pressure. Just daub or spray on and look for bubbles.

10322	Gas Leak Detector 32 oz. w/sprayer	4
10324	Gas Leak Detector 8 oz. w/sprayer	6
10325	Gas Leak Detector 8 oz. w/dauber	6
10367	Gas Leak Detector gallon (not shown)	6

Tests LP and natural gas controls for correct pressure or leaks. 0-20 oz. PSI on inner reading; 0-35" of water column on outer reading. Easy to use and read with 2.5" dial. Includes brass pressure tap fitting and 30" soft hose.

10399	GP Test Kit Tapered Rubber Nipple	1
10409	Gas Pressure Test Kit Hose	1

Stand

Many local building codes require a water heater stand when the water heater is located in an area where the accumulation of combustible fumes may occur.

11231	Gas Water Heater Stand Kit • Minimal assembly required. • 21"x 21"x 18" • Constructed of galvanized steel • Fits from 30 to 50 gallon water heaters • For use with all residential water heaters	1
-------	--	---



Gas WH Parts & Accessories

Water Heater Connectors and Kits

Water Heater Connector Kits

GAS CONNECTOR KIT

Contains:

- (2) 3/4" NPT x 2" dielectric nipples, (2) 3/4" x 12", 15" or 18" flexible water connectors, (1) roll Teflon tape, (2) 3/4" NPT compression adapters, (1) 1/2" x 24" stainless steel gas connector*

UNIVERSAL CONNECTOR KIT

Contains:

- (2) 3/4" NPT x 2" dielectric nipples, (2) 3/4" x 12", 15" or 18" flexible water connectors, (1) roll Teflon tape

ELECTRIC CONNECTOR KIT

Contains:

- (2) 3/4" NPT x 2" Dielectric Nipples, (2) 3/4" x 12", 15" or 18" Flexible Water Connectors, (1) Roll Teflon Tape, (2) 3/4" NPT Compression Adapters



10183



10193



10765



10775

Stock#	Description	Qty.
10183	15" Copper Connector Kit - Gas	6
10193	15" Copper Connector Kit - Electric	6
10223	15" Copper Connector Kit - Universal	6
10523	18" Copper Connector Kit - Gas	6
10533	18" Copper Connector Kit - Electric	6
10785	15" Stainless Connector Kit - Gas	6
10795	15" Stainless Connector Kit - Electric	6
10765	18" Stainless Connector Kit - Gas	6
10775	18" Stainless Connector Kit - Electric	6

Flexible Water Connectors

7/8" ID seamless corrugated flexible copper water connectors-125 PSI maximum

10035	18" SWT x 3/4" FIP Cut Case	25
	3/4" FIP x 3/4" FIP seamless corrugated flexible copper water connectors-125 PSI maximum	
10043	12" Water Connector - Skinpack	12
10053	15" Water Connector - Skinpack	12
10063	18" Water Connector - Skinpack	12
10083	24" Water Connector - Skinpack	12
	3/4" FIP x 3/4" FIP corrugated flexible stainless water connectors-125 PSI maximum	
10732	15" Stainless Water Connector	1
10735	15" Stainless Water Connector - Cut Case	25
10742	18" Stainless Water Connector	1
10745	18" Stainless Water Connector - Cut Case	25
10755	24" Stainless Water Connector	12
10072	Washer For Water Connector - Bulk	100

Flexible Gas Connector

10232	1/2" OD x 24" Stainless Steel* Coated	25
-------	---------------------------------------	----

*Gas connectors are certified for household use to 1/2 PSI.

Compression Fittings

10196	3/4" Compression x 3/4" NPT Fitting	12
10205	1/2" Compression x 3/4" NPT Fitting	6

10063

10205

10196

10745

10035

10232

W H Connector Kits

Water Heater Accessories



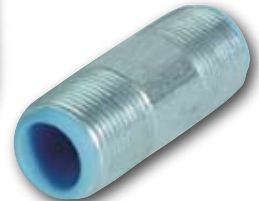
01013



01023



10623



Stock#	Description	Qty.
--------	-------------	------

Heat Traps

- Prevents heat escape through the inlet and outlet when flow stops
- Color coded cold inlet and hot outlet • Meets AGA requirements
- 3/4" MPT x 3/4" MPT x 3" Length MIP • Self-cleaning fittings prevent corrosion • Dielectric inert thermoplastic lining

01013	Dielectric Water Heater Heat Traps - 2/cd	12
01022	Dielectric Water Heater Heat Traps - Bulk	24
01023	Dielectric Heat Trap- Flapper Style - 2/cd	12

Dielectric Nipples

For water heater inlet and outlet hook-ups and other uses where dissimilar metals occur in piping and plumbing systems. Thermoplastic lining prevents corrosion. 3/4" MPT x 3/4" MPT x 2-1/2" Length MIP

10622	Dielectric Nipples - Bulk	50
10623	Dielectric Nipples - 2/Card	12
10625	Dielectric Nipples - Cut Case	48

Drain Valves

- Permanent installation • Fits directly into water heater for easy draining • 3/4" MPT x 3/4" male hose thread

11512	Water Heater Drain Valve- Brass - Bulk 3/4" MPT x 3/4" Male Hose Thread 2-1/2" long	25
11513	Water Heater Drain Valve- Brass - Skp 3/4" MPT x 3/4" Male Hose Thread 2-1/2" long	12
11522	Water Heater Drain Valve- Plastic - Bulk 3/4" MPT x 3/4" Male Hose Thread 2-1/2" long	25
11523	Water Heater Drain Valve- Plastic - Skp 3/4" MPT x 3/4" Male Hose Thread 2-1/2" long	12
11525	Water Heater Drain Valve- Plastic - Bulk 3/4" MPT x 3/4" Male Hose Thread 2-1/2" long	12

Back-Flow Preventers

Brass with stainless steel springs

23303	1/2" Back-Flow Preventer - Skinpack	6
23402	3/4" Back-Flow Preventer - Bulk	50

Dielectric Unions

Use wherever dissimilar metals occur in piping and plumbing systems. Use in water heaters that are pressure rated to 350 PSI, water storage tanks, gas piping, air conditioning, water conditioners, oil piping, water pumps, steam lines. 3/4" FIP x 3/4" SWT

23502	Dielectric Union 3/4" FIP - Bulk	25
23503	Dielectric Union 3/4" FIP - Skinpack 2/card	12

Element Wrenches

Zinc plated element wrenches fit all screw-in elements and 1-1/2" nuts. Works with your screwdriver. Goes into offsets where an adjustable wrench can't.

09882	5" Screw-In Element Wrench - Bulk	60
09883	5" Screw-In Element Wrench - Skinpack	12
09942	4" Heavy Duty Element Wrench - Bulk	15
09943	4" Heavy Duty Element Wrench - Skinpack	12



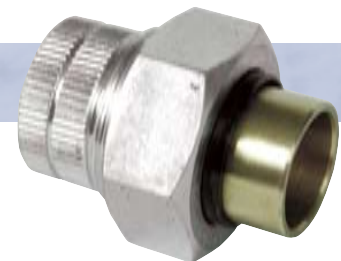
11513



11523



23402



23503



09943

Water Heater Accessories

Stock#	Description	Qty.
--------	-------------	------

Water Heater Tester

Tests elements and thermostats while they are in the heater. May also be used to test continuity in fluorescent lights, fuses and all appliances. Sensitive enough to measure even the fine filament wire in a light bulb. Sensitive LED light indicates continuity. Unbreakable body with protective cover over light and probe. More useful than a circuit tester. Complete instructions included. Batteries included.

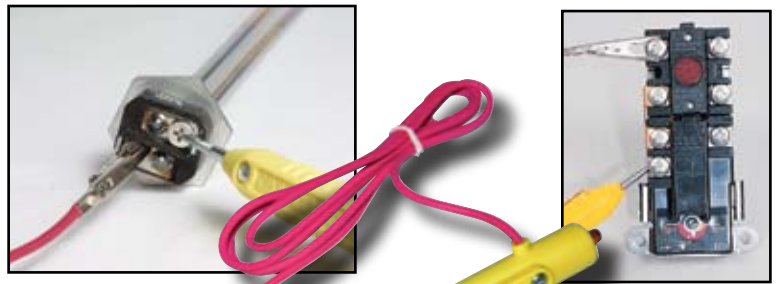
10020	Water Heater Continuity Tester	6
10023	Water Heater Continuity Tester	12
10025	Water Heater Continuity Tester (18 ct display)	1

Pipe Insulation

Contains:

3" wide R-5 fiberglass insulation and 1 roll vinyl outer wrap

12660	3" x 25' Fiberglass Pipe Insulation	24
12680	3" x 35' Fiberglass Pipe Insulation	24



10023

Water Heater Tester

- Light Emitting Diode
- Batteries Included
- For Electric Water Heaters



10025

12660

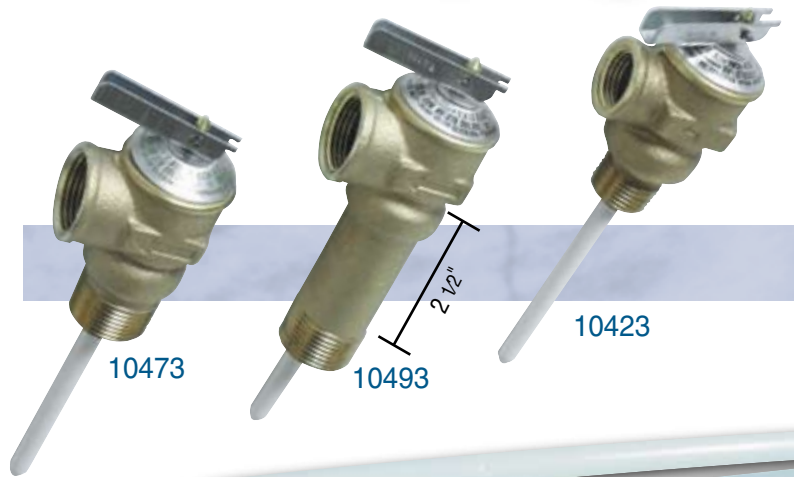


Stock#	Description	Qty.
--------	-------------	------

T & P Valves and Accessories

- Setting: of 150 PSI / 210°F • Stainless steel spring • All brass body
- ANS Z21.22 Design • AGA certified • Furnished with test lever
- Epoxy coated extension probe

10421	1/2" Inlet/outlet T & P Valve w/4" Probe - Box	50
10423	1/2" Inlet/outlet T & P Valve w/4" Probe - Skinpack	4
10461	3/4" Inlet/outlet T & P Valve w/1" Probe - Box	50
10463	3/4" Inlet/outlet T & P Valve w/1" Probe - Skinpack	12
10470	3/4" Inlet/outlet T & P Valve w/4" Probe - Skinpack	6
10471	3/4" Inlet/outlet T & P Valve w-4"/5" Probe - Box	50
10473	3/4" Inlet/outlet T & P Valve w/4" Probe - Skinpack	12
10491	3/4" Inlet/outlet Valve w/2-1/2" Shank - Box	50
10493	3/4" Inlet/outlet Valve w/2-1/2" Shank - Skinpack	12
10552	Universal T & P Valve Remover - Skinpack	1



10473

10493

10423

Runoff Tubes

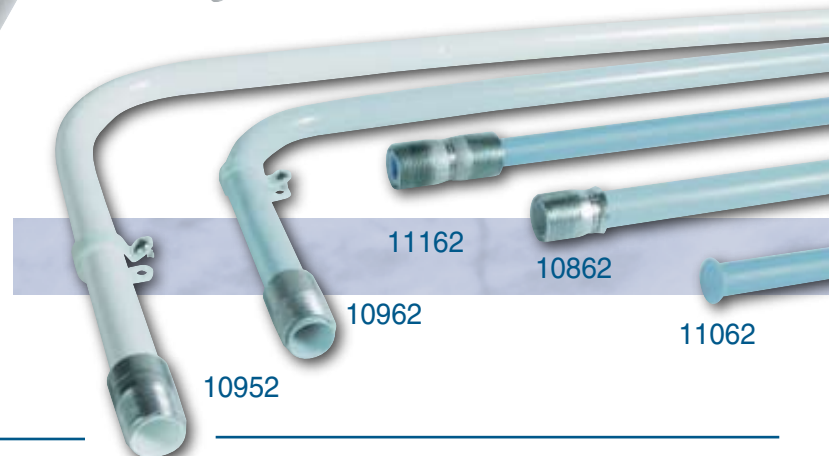
- Thermoplastic polypropylene runoff tubes present rigid surface for gripping with standard wrenches • Can be cut to desired length
- Gasket included (#06912)

10862	Side Mount Runoff Tube	12
10952	Center Top Mount Runoff Tube	12
10962	Top Mount Runoff Tube	12

Dip Tubes

- Water inlet dip tubes • Anti-siphon hole breaks damaging siphon action • Can be cut to desired length • Made of PEX (#06912) Gasket sold separately

11062	Flared Dip Tube (52" vertical)	12
11162	Threaded Dip Tube (48" vertical)	25



10962

11162

10862

10952

11062

Water Heater Accessories

Stock#	Description	Qty.
--------	-------------	------

Drain Pans and Fittings

For electric water heaters ONLY • Durable plastic pans will not rust, corrode or crack • 1" drain fitting included (#11452) • 2-1/2" high sides • Pre-cut side opening for drain fitting

11260	20" ID 2" Plastic Drain Pan w/PVC Fitting	6
11266	20" ID 2" Plastic Drain Pan w/CPVC Fitting	6
11460	22" ID 2" Plastic Drain Pan w/PVC Fitting	6
11466	22" ID 2" Plastic Drain Pan w/CPVC Fitting	6
11360	24" ID 2" Plastic Drain Pan w/PVC Fitting	6
11366	24" ID 2" Plastic Drain Pan w/CPVC Fitting	6
11400	26" ID 2" Plastic Drain Pan w/PVC Fitting	6
11406	26" ID 2" Plastic Drain Pan w/CPVC Fitting	6
11420	30" ID 2" Plastic Drain Pan w/PVC Fitting	6
11426	30" ID 2" Plastic Drain Pan w/CPVC Fitting	6

Aluminum—For gas or electric water heaters • Will not rust, corrode or crack • 1" drain fitting included (#11452) • Pre-cut side opening for drain fitting

20800	20" ID 2" Aluminum Drain Pan w/PVC Fitting	6
20806	20" ID 2" Aluminum Drain Pan w/CPVC Fitting	6
20840	22" ID 2" Aluminum Drain Pan w/PVC Fitting	6
20846	22" ID 2" Aluminum Drain Pan w/CPVC Fitting	6
20830	24" ID 2" Aluminum Drain Pan w/PVC Fitting	6
20836	24" ID 2" Aluminum Drain Pan w/CPVC Fitting	6
20833	24" ID 3" Aluminum Drain Pan w/PVC Fitting	6
20810	26" ID 2" Aluminum Drain Pan w/PVC Fitting	6
20816	26" ID 2" Aluminum Drain Pan w/CPVC Fitting	6
20813	26" ID 3" Aluminum Drain Pan w/PVC Fitting	6
20860	30" ID 2" Aluminum Drain Pan w/PVC Fitting	6
20866	30" ID 2" Aluminum Drain Pan w/CPVC Fitting	6

Galvanized Square—For gas or electric heaters. 1" drain fitting included

20922	24" x 24" x 4" Heater Pan - Bulk	1
20932	30" x 30" x 6" Heater Pan - Bulk	1

Drain Pan Fittings—Replacements for all Camco polyethylene water heater and ABS washing machine drain pans. Includes fitting, steel locknut and rubber washer.

11442	Drain Pan Fitting Kit 1" CPVC	25
11452	Drain Pan Fitting Kit 1" PVC	25

Anode Rods

11572	5/8" OD Anode Rod 42" Long Aluminum	6
11582	3/4" OD Anode Rod 42" Long Aluminum	6
11612	3/4" OD Anode Rod 42" Long Aluminum Flexible (3 Section)	6
11622	3/4" OD Anode Rod 42" Long Aluminum w/Dielectric Nipple	6

Washing Machine Pans

• High impact white polypropylene Plastic • Will not rust, corrode or crack • Includes PVC drain fitting (#11442) • Bottom or side outlet (not pre-cut) • 1" drain can pass all codes • Easy to install • Mat finish • OD 27"x30" x 2-1/8"

20752	30" x 32" OD Washer Drain Pan - Bulk	6
-------	--------------------------------------	---

Washing Machine Hoses

20500	5' Washing Machine Hose - Bag	12
20502	5' Washing Machine Hose - Bulk	25

11360



20830



11452

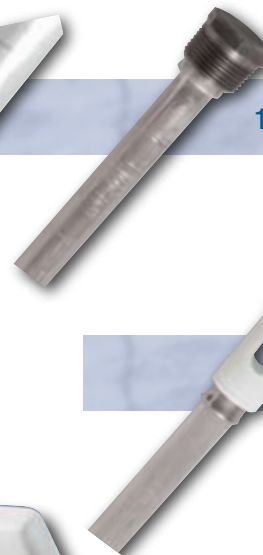
20922



11612



11572



11622

20752



20502



Top Burners for Electric Ranges

UL listed

Stock items that end in 3 are packaged. To order items in bulk, change the last digit of the stock number to 2.



Stock#	Style	Watts	Volts	Size	Turns	Support	Chromalox#	Qty.
GE/Hotpoint Plug-In								
00103	GE/Hotpoint Plug-in	1325w	240v	6"	5	Y	CH30x218	6
00113	GE/Hotpoint Plug-in	2350w	240v	8"	6	Y	CH30x219	6
GE/Hotpoint w/Porcelain Connector								
00183	GE/Hotpoint w/trim ring	1325w	240v	7"	5	GE	CH30x356	6
00193	GE/Hotpoint w/trim ring	2125w	240v	9"	6	GE	CH30x354	6
00283	GE/Hotpoint Plug-in w/o trim ring	1325w	240v	6"	5	GE	CH30x342	6
00293	GE/Hotpoint Plug-in w/o trim ring	2125w	240v	8"	6	GE	CH30x341	6
Economy Plug-In Universal								
00143	Universal Economy Plug-in	1250w	240v	6"	3	Y	SP12YA	6
00153	Universal Economy Plug-in	2100w	240v	8"	4	Y	SP21YA	6
00223	Universal Economy Plug-in	1250w	240v	6"	3	Delta	SP12MA	6
00233	Universal Economy Plug-in	2100w	240v	8"	4	Delta	SP21MA	6
Deluxe Plug-In Universal								
00243	Universal Deluxe Plug-in	1500w	240v	6"	4	Y	MP15YA	6
00253	Universal Deluxe Plug-in	2100w	240v	8"	5	Y	MP21YA	6
00263	Universal Deluxe Plug-in	1500w	240v	6"	4	Delta	MP15MA	6
00273	Universal Deluxe Plug-in	2100w	240v	8"	5	Delta	MP21MA	6

* Deluxe has more heating surface than Economy



00113



00183



00193



00143



00273

Range Accessories

Stock# Description Qty.

Repair Parts

00853	GE/Hotpoint Receptacle Block Direct replacement for GE ranges. Includes: (1) metal/porcelain bracket, (2) machine screws, (1) sheet metal screw, (1) wire bracket and (1) nut	6
00863	Universal Range Switch - Skinpack Includes: switch, mounting adapter parts, knob adapter	8
00873	Universal Receptacle Block Kit Fits most electric ranges except GE	12

Electric Knob Kit - 4/card

00883	Electric Range Knobs-Top Burner - Black	12
00903	Electric Range Knobs-Top Burner - Chrome	12
00923	Electric Range Knobs-Top Burner - White	12

Electric Knob Kit - 1/card

00893	Electric Range Knob-Burner/Oven - White	12
00933	Electric Range Knob-Burner/Oven - Chrome	12
00913	Electric Range Knob-Burner/Oven - Black	12

Gas Knob Kit - 4/card

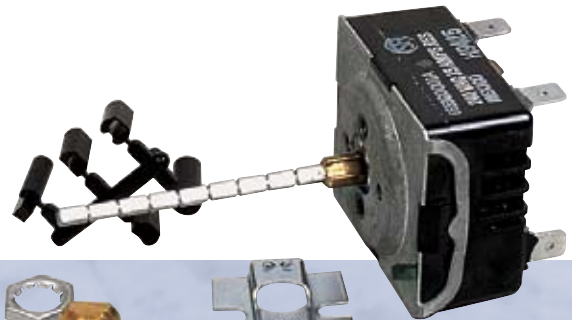
00943	Gas Range Knobs-Top Burner - Black	12
00963	Gas Range Knobs-Top Burner - Chrome	12
00983	Gas Range Knobs-Top Burner - White	12

Gas Knob Kit - 1/card

00953	Gas Range Knob-Burner/Oven - White	12
00973	Gas Range Knob-Burner/Oven - Black	12
00993	Gas Range Knob-Burner/Oven - Chrome	12



00853



00863



00873



00933



00903

* Fits most models. Each knob is provided with 5 sets of colored-coded adaptors so as to match the shape of the control stem. One set is used; the other four sets of adaptors are discarded.



00973

Rings, Pans and Bowls

Stock#	Description	Qty.
--------	-------------	------

GE/Hotpoint Ranges

00303	GE/HP 6" Chrome Trim Ring	12
00313	GE/HP 8" Chrome Trim Ring	12
00323	GE/HP 6" Porcelain Ring Bowl - Plug-in	12
00333	GE/HP 8" Porcelain Ring Bowl	12
00403	GE/HP 6" Chrome Drip Bowl - Plug-in	12
00413	GE/HP 8" Chrome Drip Bowl	12
00423	GE/HP 6" Chrome Hinge Pan	12
00433	GE/HP 8" Chrome Hinge Pan	12
00443	GE/HP 6" Porcelain Drip Bowl 1990 - Present	12
00453	GE/HP 8" Porcelain Drip Bowl 1990 - Present	12
00483	GE/HP 6" Chrome Drip Bowl 1990 - Present	12
00493	GE/HP 8" Chrome Drip Bowl 1990 - Present	12
00543	GE/HP 6" Black Hinge Reflector Pan	12
00553	GE/HP 8" Black Hinge Reflector Pan	12



00303



00323

00543



00403



00423



Stock#	Description	Qty.
--------	-------------	------

Universal

00343	Universal 6" Chrome Trim Ring	12
00353	Universal 8" Chrome Trim Ring	12
00383	Universal 6" Chrome Plug-In Reflector Bowl	12
00393	Universal 8" Chrome Reflector Bowl	12
00463	Universal 6" Reflector Pan Hinge	12
00473	Universal 8" Reflector Pan Hinge	12
00503	Universal 6" Black Porcelain Plug-In	12
00513	Universal 8" Plug-In Reflector Bowl	12
00583	Universal 6" Black Porcelain Pan	12
00593	Universal 8" Black Porcelain Pan	12



00343



00383



00463



00503

Stock#	Description	Qty.
--------	-------------	------

Gas Ranges

00363	Round Chrome Gas Drip Pan 7"	12
00373	Square Chrome Gas Drip Pan 7-3/4"	12

00363

00373



00583



Stock items that end in 3 are packaged with a hang card. To order items in bulk, change the last digit of the stock number to 2. Standard carton quantity for bulk rings, pans and bowls is 50.

Bake and Broil Elements

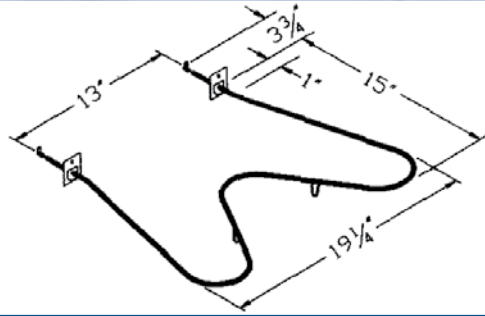
Stock#	Description	Qty.
Bake Elements		
00611	Bake Element 2400w 240v	6
00761	Bake Element 2400w 240v	6
00791	Bake Element 2500w 240v	6
00641	Bake Element 2500w 240v	6
00631	Bake Element 2700w 240v	6
00751	Bake Element 3100w 240v	6
00731	Bake Element 2200w 250v	6
00721	Bake Element 2475w 250v	6
00681	Bake Element 2585w 250v	6
00711	Bake Element 2585w 250v	6
00741	Bake Element 2585w 250v	6
00621	Bake Element 3000w 250v	6
00651	Bake Element 3000w 250v	6

Broil Elements		
00771	Broil Element 3000w 250v	6
00801	Broil Element 3400w 250v	6
00811	Broil Element 3400w 240v	6
00831	Broil Element 3410w 250v	6

All elements include screw-in hardware.

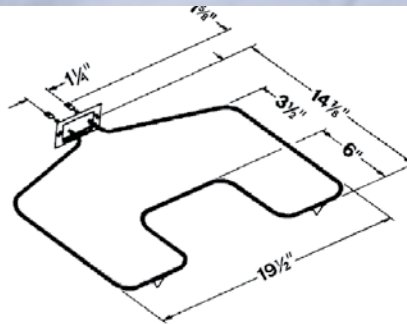
See diagram for more detail.

00611 2400w 240v Bake Element



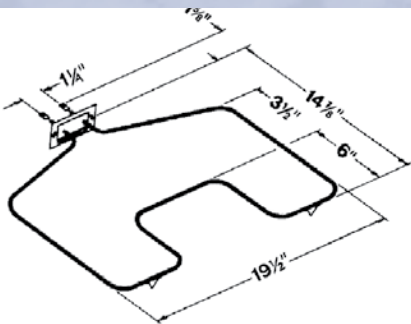
- KENMORE
1312853
1311298-0
- WHIRLPOOL
865940
- CHROMALOX
CH775

00621 3000w 250v Bake Element



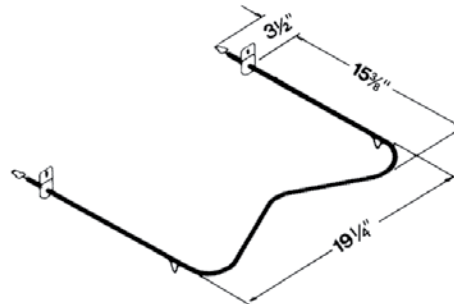
- GE
WB44x126
WB44x118
WB44x105
WB44x133
WB44x120
WB44x112
- HOTPOINT
297B774G3
- CHROMALOX
CH44x126

00631 2700w 240v Bake Element



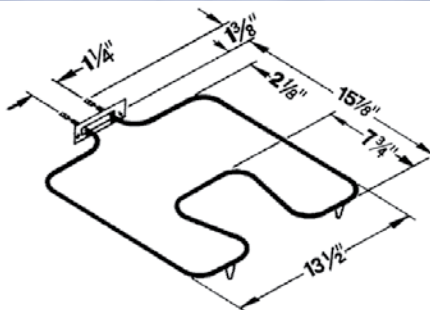
- KENMORE
296119
296565
301444
321667
- CHROMALOX
CH2858

00641 2500w 240v Bake Element



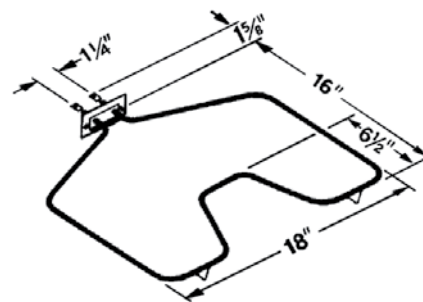
- KENMORE
282717; 301471;
314620; 319529;
319837; 319238
320421; 324186
320420
- CHROMALOX
CH776

00651 3000w 250v Bake Element



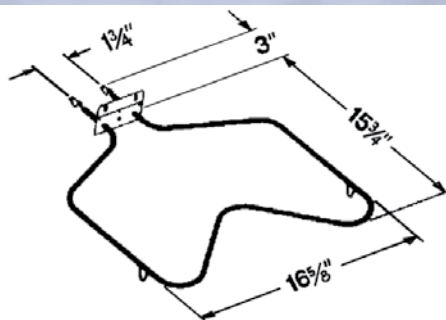
- GE
WB44x5043
WB44x5049
WB44x5078
WB44x5080
- HOTPOINT
663130
664640
684729
- CHROMALOX
CH44x5043

00681 2585w 250v Bake Element



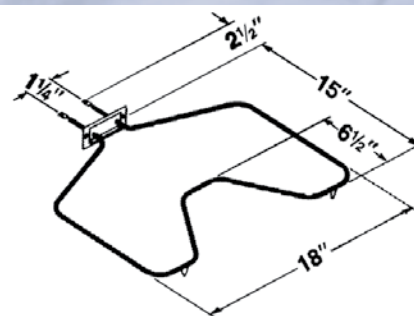
- GE
WB44x105
WB44x118
WB44x120
WB44x126
WB44x133
WB44x5061
WB44x5099
- CHROMALOX
CH44x5099

00701 2600w 240v Bake Element



- WHIRLPOOL
308180
- JENN-AIRE
202550
- CHROMALOX
CH4836

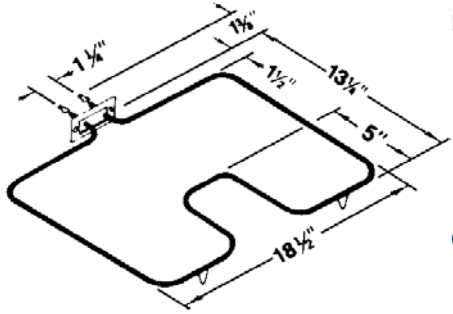
00711 2585w 250v Bake Element



- GE
WB44x5061
WB44x5082
WB44x5072
- CHROMALOX
CH44x5082

00721

2475w 250v Bake Element



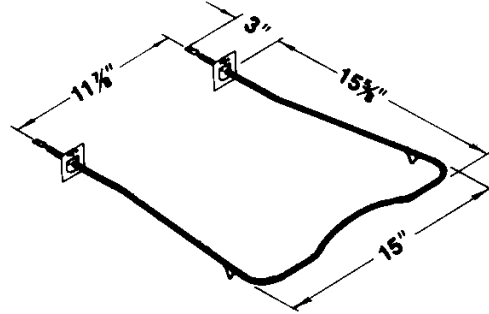
FRIDGIDAIRE

632305; 632306;
633114; 1133051;
7525769; 7525781;
7526491; 7526492;
7526602; 7532556;
7532557; 8004204;
9950882

CHROMALOX
CH978

00731

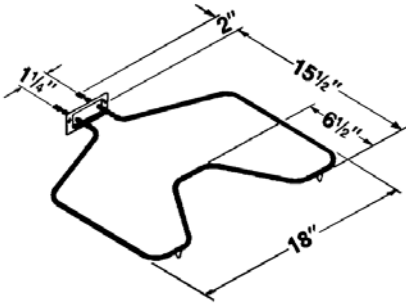
2200w 250v Bake Element



WHIRLPOOL
255103; 257376;
257987; 326791
ROPER
326791
CHROMALOX
CH687

00741

2585w 250v Bake Element



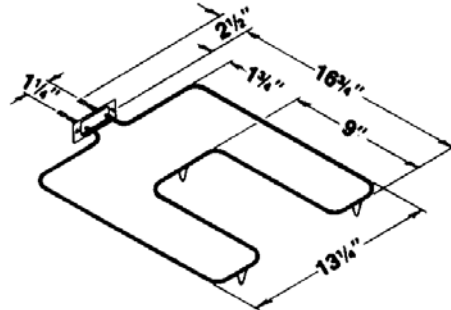
GE

WB44x5083
WB44x5085

CHROMALOX
CH44x5083

00751

3100w 240v Bake Element



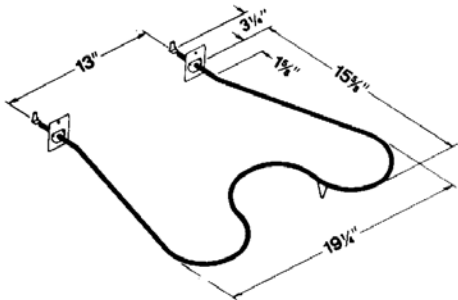
GE

WB44x200;
WB44x160

CHROMALOX
CH44x200

00761

2400w 240v Bake Element



FRIDGIDAIRE

8008245

KENMORE/

KELVINATOR

1313171; 1313169

WHIRLPOOL

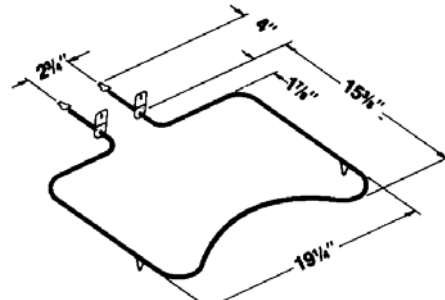
866375

CHROMALOX

CH4879

00791

2500w 240v Bake Element



ROPER/KENMORE

325883;

326365;

326364;

326366

GE

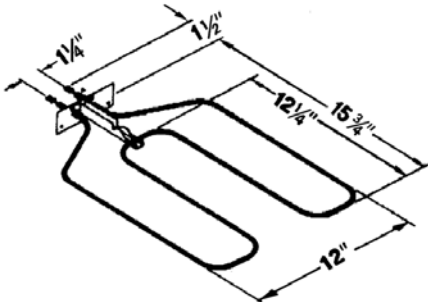
WB44x230

CHROMALOX

CH5853

00771

3000w 250v Broil Element



GE

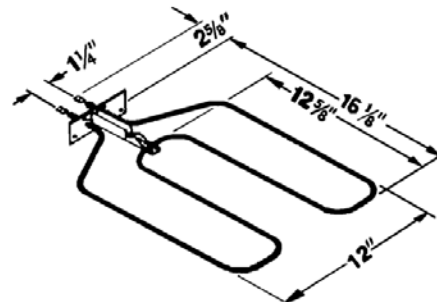
WB44x134

CHROMALOX

CH44x134

00801

3400w 250v Broil Element



GE

WB44x149

WB44x150

WB44x167

WB44x168

WB44x173

WB44x185

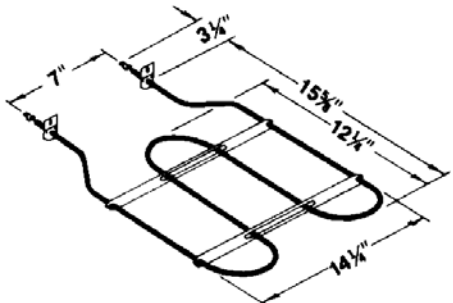
WB44x5064

CHROMALOX

CH44x185

00811

3400w 240v Broil Element



ROPER/KENMORE

296121; 296566;

319487; 324163;

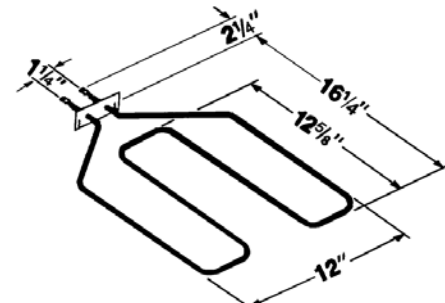
324249; 324251

CHROMALOX

CH2859

00831

3410w 250v Broil Element



GE

WB44x5074

CHROMALOX

CH44x5074

Promotional Range Accessories Displays and Assortments

Stock# Description Qty.

#61605 Range Accessories

00103	GE/HP 6" x 5 Turn Plug-In Y Support	1
00113	GE/HP 8" x 6 Turn Plug-In Y Support	1
00143	Economy 6" x 3 Turn-Y Support	1
00153	Economy 8" x 4 Turn-Y Support	1
00183	GE/HP 6" w/Porcelain and T-Ring	1
00193	GE/HP 9" w/Porcelain and T-Ring	1
00223	Plug-In 6" x 3 Turn Delta	1
00233	Plug-In 8" x 4 Turn Delta	1
00243	Deluxe 6" Plug-In Y Support	1
00253	Deluxe 8" Plug-In Y Support	1
00263	Deluxe 6" x 4 Turn Delta	1
00273	Deluxe 8" x 5 Turn Delta	1
00283	GE/HP 6" x 5 Turn Y Support w/o Trim Ring	1
00293	GE/HP 8" x 6 Turn Y Support w/o Trim Ring	1
00383	Universal 6" Plug-In Reflect Bowl	2
00393	Universal 8" Plug-In Reflect Bowl	2
00403	6" Drip Bowl GE/Hotpoint	2
00413	8" Drip Bowl GE/Hotpoint	2
00423	GE/HP 6" Hinged Reflect Pan	2
00433	GE/HP 8" Hinged Reflect Pan	2
00503	Univ. 6" Plug-In Reflect Bowl - Black Porc.	2
00513	Univ. 8" Plug-In Reflect Bowl - Black Porc.	2
00863	Universal Range Switch	2
00873	Universal Receptacle Block Kit	2
00883	Electric Range Knobs-Top Burner - Black	2
00893	Electric Range Knob-Burner/Oven - White	2
00903	Electric Range Knobs-Top Burner - Chrome	2
00913	Electric Range Knob-Burner/Oven - Black	2
00923	Electric Range Knobs-Top Burner - White	2
00933	Electric Range Knob-Burner/Oven - Chrome	2
00943	Gas Range Knobs-Top Burner - Black	2
00973	Gas Range Knob-Burner/Oven - Black	2

(not shown)

Stock# Description Qty.

#61275 Bake and Broil Assortment

00611	Bake Element 2400w 240v	1
00621	Bake Element 3000w 250v	1
00631	Bake Element 2700w 240v	1
00641	Bake Element 2500w 240v	1
00651	Bake Element 3000w 250v	1
00681	Bake Element 2585w 250v	1
00701	Bake Element 2600w 250v	1
00711	Bake Element 2585w 250v	1
00741	Bake Element 2585w 240v	1
00771	Broil Element 3000w 250v	1
00801	Broil Element 3400w 250v	1
00831	Broil Element 3410w 250v	1

61605



4' Display (48" wide x 54" high)

See pages 18—19 for element details.

Gondolas not included.

Promotional Water Heater Parts Displays

Stock#	Description	Qty.
#61585 3' Display		
02143	1500w 120v Screw-In Element	4
02203	2000w 120v Screw-In Element	2
02293	3800w 240v Screw-In Element	2
02343	4500w 240v Screw-In Element	4
02583	4500w 240v LWD/FB Screw-In Element	4
02923	4500w 240v Screw-In Lime Life Foldback	4
04603	4500w 240v Universal Element	2
07223	Universal Adapter Kit	2
08123	Therm-O-Disc Style Lower Thermostat	2
08143	Therm-O-Disc Style Single Element Thermostat	2
08163	Therm-O-Disc Style Upper Thermostat	4
09883	5" Screw-In Element Wrench	2
10023	Water Heater Continuity Tester	2
10063	18" Flex. Water Connector	2
10183	15" Water Heater Connector Kit-Gas	1
10193	15" Water Heater Connector Kit-Electric	1
10473	3/4" T & P Valve 4" Coated	2
10623	Dielectric Nipples	2
11523	Water Heater Drain Valve	2

Stock#	Description	Qty.
#61595 2' Display		
02143	1500w 120v Screw-In Element	2
02203	2000w 120v Screw-In Element	2
02293	3800w 240v Screw-In Element	2
02343	4500w 240v Screw-In Element	6
02583	4500w 240v LWD/FB Screw-In Element	4
02923	4500w 240v Screw-In Lime Life Foldback	2
04603	4500w 240v Universal Element	2
07223	Universal Adapter Kit	2
08123	Lower Therm-O-Disc Style Thermostat	2
08143	Single Element Therm-O-Disc Style Thermostat	2
08163	Upper Therm-O-Disc Style Thermostat	4
09883	5" Screw-In Element Wrench	2
10023	Water Heater Continuity Tester	2
10473	3/4" T & P Valve 4" Coated	2
10623	Dielectric Nipples	2
11523	Water Heater Drain Valve	2



61585

3' Display (36" wide x 54" high)



61595

2' Display (24" wide x 54" high)

CAMCO Universal Water Heater Parts

Basic Plumbing Display



Stock#	Description	Qty.
--------	-------------	------

#61559 Basic Display

02143	1500w 120v Screw-In Element	3
02283	3500w 240v Screw-In Element	3
02343	4500w 240v Screw-In Element	6
02583	4500w 240v LWD/FB Screw-In Element	3
02923	4500w 240v Screw-In Lime Life Foldback	3
08123	Therm-O-Disc Style Lower Thermostat	3
08143	Therm-O-Disc Style Single Element Thermostat	3
08163	Therm-O-Disc Style Upper Thermostat	6
09943	4" Heavy Duty Element Wrench	3
10023	Water Heater Continuity Tester	3

61559

2' Display (24" wide x 22" high)

2' Plumber's Pack Displays

CAMCO Universal Water Heater Replacement Parts



Stock#	Description	Qty.
--------	-------------	------

#61625 Apcom Style Display

02343	4500w 240v Screw-In Element	4
02583	4500w 240v Screw-In Element	2
02923	4500w 240v Screw-In Lime Life Foldback	2
07023	Apcom Style Contractor Pack	4
07223	Universal Adapter Kit	2
07723	Lower Thermostat	2
07843	Single Element Thermostat	2
07863	Upper Thermostat w/HLC	4
09943	4" Heavy Duty Element Wrench	4
10023	Water Heater Continuity Tester	2

61625

CAMCO Universal Water Heater Replacement Parts



61615

Stock#	Description	Qty.
--------	-------------	------

#61615 Therm-O-Disc Style Display

02293	3800w 240v Screw-In Element	2
02343	4500w 240v Screw-In Element	4
02583	4500w 240v Screw-In Element	4
02923	4500w 240v Screw-In Lime Life Foldback	2
07013	Therm-O-Disc Style Contractor Pack	4
08123	Therm-O-Disc Style Single Pole Lower T-stat	2
08143	Therm-O-Disc Style Single Element T-stat	2
08163	Therm-O-Disc Style Upper Thermostat	4
09943	4" Heavy Duty Element Wrench	2
10023	Water Heater Continuity Tester	2

2' Display (24" wide x 54" high)

Stock#	Description	Qty.
--------	-------------	------

#65675 3' Install & Repair WH Parts

02143	1500w 120v Screw-In Element	2
02203	2000w 120v Screw-In Element	2
02283	3500w 240v Screw-In Element	2
02343	4500w 240v Screw-In Element	4
02583	4500w 240v LWD/FB Screw-In Element	4
02923	4500w 240v Screw-In Lime Life Fold Back	2
07013	Therm-O-Disc Style Plumbers Packs	2
07023	Apcom Style Plumbers Packs	2
07223	Universal Adapter Kit	2
08123	Therm-O-Disc Lower Thermostat	2
08143	Therm-O-Disc Single Element Thermostat	2
08163	Therm-O-Disc Upper Thermostat	2
09943	4" Heavy Duty Element Wrench	2
10023	Water Heater Continuity Tester	2
10183	15" Water Heater Connector Kit - Gas	2
10193	15" Water Heater Connector Kit - Electric	2
10623	Dielectric Water Heater Nipples	2



65675



3' Display (36" wide x 54" high)



2' Display (24" wide x 22 high)

61685

Stock#	Description	Qty.
--------	-------------	------

#61685 2' Basic Contractor Display

02143	1500w 120v Screw-In Element	3
02343	4500w 240v Screw-In Element	3
02583	4500w 240v LWD/FB Screw-In Element	3
02923	4500w 240v Screw-In Lime Life Fold Back	3
07013	Plumber's Pack Therm-O-Disc Style	3
08123	Therm-O-Disc Style Lower Thermostat	3
08143	Therm-O-Disc Style Single Element T-stat	3
08163	Therm-O-Disc Style Upper Thermostat	6
09943	4" Heavy Duty Element Wrench	3
10023	Water Heater Continuity Tester	3

Also available with Apcom style thermostats - 61695

Gondolas not included.

Displays

Flame-type heaters waste up to 45% of all heat produced. Catalytic heating is 99.98% efficient, resulting in a more efficient and low-cost heat.

Stock#	Description	Qty.
--------	-------------	------

Olympian Wave™ Catalytic Safety Heaters

An ideal primary or secondary heating source. Wave™ heaters operate on low pressure LP gas, and can be wall mounted or used as portables. Equipped with a 100% safety shut-off valve to prevent accidental non-ignition fuel discharge. The built-in automatic Piezo electric spark starter will last for 20,000 starts. No electrical drain or battery connection.

57331	Olympian™ Wave 3 Adjustable from 1600 to 3000 BTUs	1
57341	Olympian™ Wave 6 Adjustable from 3200 to 6000 BTUs	1
57351	Olympian™ Wave 8 Adjustable from 4200 to 8000 BTUs	1

Leg Stands for Wave Heaters

57701	Leg Stands	1
-------	------------	---

Thermostatically Operated Safety Heaters

ET catalytic safety heaters are designed for use in RVs and boats. They operate on low pressure LP gas and cycle on and off automatically with built-in thermostat. No fans or blowers—totally quiet operation. These heaters use just 5.0 amps battery draw during startup (2 minutes), and draw only 0.2 amps during operation. Compact size, minimum battery draw and high heat output make these the ideal choice for all RVers and boaters. No flue or chimney is required.

57725	Olympian™ 6100 ET	1
57726	Olympian™ 8100 ET	1

Stock#	Description	Qty.
--------	-------------	------

Olympian Wave™ ODS Catalytic Safety Heaters

These heaters have many built-in features to ensure absolute safety. Every ODS model is equipped with an Oxygen Depletion Sensor which will shut off the heater if the room's air/oxygen content falls below a safe level. An ideal primary or secondary heating source. Wave™ heaters operate on low pressure LP gas, and are designed to be wall mounted. Equipped with a 100% safety shut-off valve to prevent accidental non-ignition fuel discharge. Built-in automatic Piezo electric spark starter means no electrical drain or battery connection.

57844	Wave 3 ODS, 3000 BTU	1
57845	Wave 6 ODS, 6000 BTU	1
57846	Wave 8 ODS, 8000 BTU	1
57753	Wave 10 ODS 10000 BTU	1

Custom Fitted Dust Covers

57706	Wave 3 Dust Cover	1
57713	Wave 6 Dust Cover	1
57715	Wave 8 Dust Cover	1
57722	Wave 3 Dust Cover (portable)	1
57723	Wave 6 Dust Cover (portable)	1
57724	Wave 8 Dust Cover (portable)	1



57331

57341

57351



57701

57725

57726



57331

57341



57351

57753

Olympian™ ODS Catalytic Safety Heaters are ideally suited for all indoor uses (e.g. homes, cabins, workshops, boats, mobile homes, etc.). All Olympian™ ODS Model Catalytic Safety Heaters are fully guaranteed against defects in manufacture and workmanship for one year. These heaters are for permanent installation for operation below 5000 feet altitude.

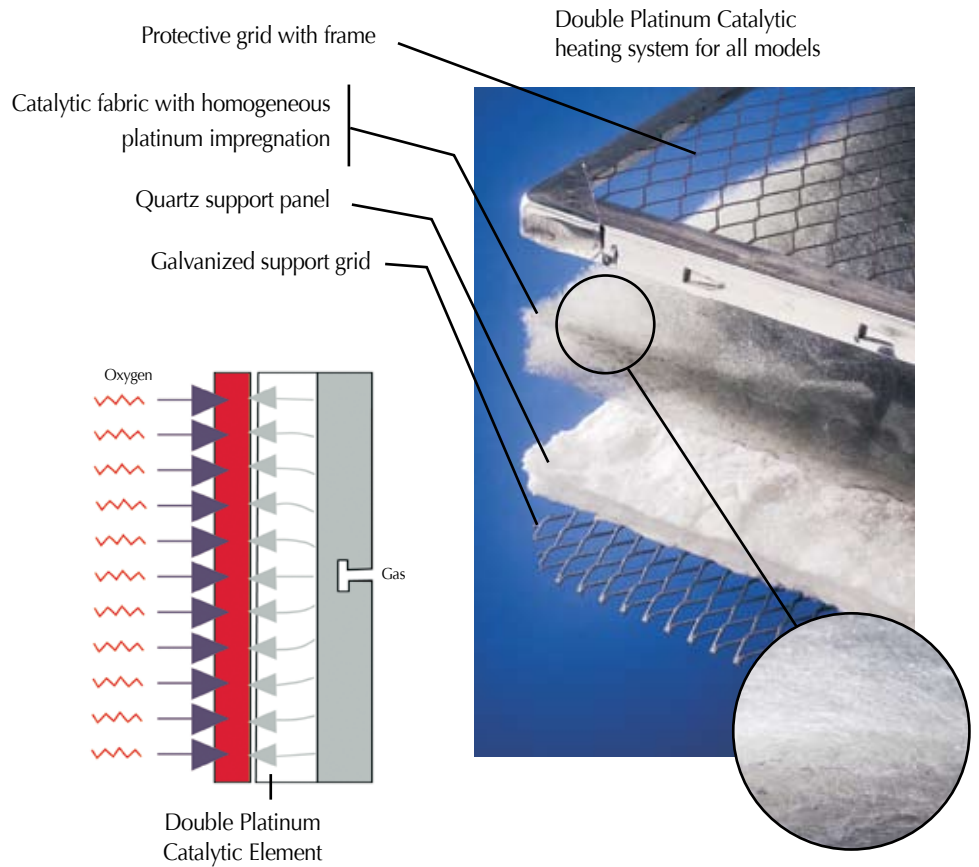
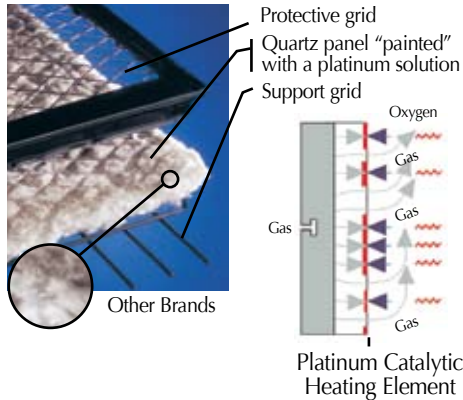


Olympian™

A division of Camco.

The Olympian™ catalytic heating element features a low-density spongy texture which allows for perfect transport of the oxygen needed for combustion. The catalytic heating element is evenly impregnated with platinum, guaranteeing optimal oxidation of gas and elimination of the mix of dangerous gas emissions.

Other brands use higher density supports which obstruct proper oxygen transport. Platinum distribution in their supports is not homogenous. Part of the gas can be released without burning, resulting in serious health hazards.



	WAVE 3	WAVE 6	WAVE 8	6100 ET	8100 ET	3100 ODS	6100 ODS	8100 ODS	WAVE 10 ODS
Low pressure LP gas	●	●	●	●	●	●	●	●	●
Electricity				●	●				
BTU Output	1600 to 3000	3200 to 6000	4200 to 8000	6000	8000	1500 to 3000	4200 to 6000	5600 to 8000	7400 to 11,100
Power				12v DC	12v DC				
Current Draw				less than 0.2 amps	less than 0.2 amps				
Fuel Consumption at maximum output	1/8 lb/hr.	1/4 lb/hr.	1/3 lb/hr.	1/4 lb/hr.	1/3 lb/hr.	1/8 lb/hr.	1/4 lb/hr.	1/3 lb/hr.	1/2 lb/hr.
Gas Connection	3/8" SAE Flare	3/8" SAE Flare	3/8" SAE Flare	3/8" SAE Flare	3/8" SAE Flare	3/8" SAE Flare	3/8" SAE Flare	3/8" SAE Flare	3/8" SAE Flare
Height	11-3/4"	17-7/8"	21-1/4"	17-7/8"	21-1/4"	11-3/4"	17-7/8"	21-1/4"	32"
Width	10-1/4"	12-13/16"	15"	12-13/16"	15"	10-1/4"	12-13/16"	15"	20-5/8"
Depth	3-1/2"	"	4"	4"	4"	3-1/2"	4"	4"	4-1/2"
Weight	6 lbs.	12 lbs.	14 lbs.	12 lbs.	14 lbs.	6 lbs.	12 lbs.	14 lbs.	19 lbs.
Typical RV Size*	up to 12'	up to 18'	up to 23'	up to 18'	up to 23'				
Room Area Heated*	130 sq. ft.	230 sq. ft.	290 sq. ft.	230 sq. ft.	290 sq. ft.	130 sq. ft.	230 sq. ft.	290 sq. ft.	400 sq. ft.
Ignition	Piezo Spark	Piezo Spark	Piezo Spark	Thermostatic	Thermostatic	Piezo Spark	Piezo Spark	Piezo Spark	Piezo Spark
Vertical Wall Hung	●	●	●	●	●	●	●	●	●
Horizontal Wall Hung	●	●	●						
Vertical Recessed		●	●						
Horizontal Recessed		●	●						
Portable Leg Stands	●	●	●			●	●	●	●
Guarantee	3 year	3 year	3 year	1 year	1 year	1 year	1 year	1 year	1 year

A division of Camco.

Stock# Description Qty.

Tabletop Gas Barbecue Grill

Designed for RV and outdoor uses, this high quality heavy duty cast aluminum barbecue increases flavor without flare-ups. Patented smoker plate is designed to offer the fullest flavor while eliminating grease fires. Quick and easy to assemble. Uses standard commercial or disposable LP cylinders.

20-1/2" W x 17-1/2" D x 8-1/2" H.

57301 Olympian™ 4100 Tabletop Grill 1

Folding Grill Stand

Use with the 4100 Grill or other appliances. Stand folds flat for storage. Powder coated for rust resistance. 28-1/2" tall. Black.

57321 Universal BBQ Stand 1

Grill Cover

High-grade black padded vinyl provides long lasting protection in every storage environment. Keeps grill free from dust, dirt and scratches.

57632 4100 Grill Dust Cover 1

Retractable BBQ Set

Great for picnics, camping trips and back yard barbecues. Stainless steel tools with removable handles for dishwasher-safe cleaning. Ergonomically designed handles extend to 16-1/2" and retract to a compact 12 1/2". Four-piece set includes: double spatula, tongs, fork, standard spatula, durable storage case.

57316 Olympian™ Retractable BBQ Set 1

Butane Matches

Heavy-duty child resistant matches in 14", 8" or 3.5" length. Adjustable flame, refillable. Looks like a match, works like a lighter. A nice gift for anyone with a BBQ or a fireplace.

57575 14" Mega Match 20

57570 8" CampLighter 24

58012 3.5" Pocket Match 24



57632

57301

Smoker Plate

No ashes or mess

Replaces smelly lava rock

More even heat distribution



57321



57316

57575

57570

58012

Gas Matches

Olympian™

A division of Camco.

Stock# Description Qty.

GM3 Gas Matches

One of our finest and most popular lighters. Long slender design lets you get at hard-to-reach places with total safety. Features a continuous ignition system (uses one AA battery, which is included), safety lock, fully adjustable flame, fuel viewing window. 10,000 starts. ISO 9001 certified. Refillable with butane lighter fluid.

57433	GM3 - 14 3/4"	12
57543	GM3X - 26" (15" flex extender)	12
57684	GM3XE - 40 3/4" (36" flex extender)	12

GM10 Gas Match

Long slender design lets you get at hard-to-reach places with total safety. Features a continuous ignition system (uses one AA battery, which is included), safety lock, fully adjustable flame, fuel viewing window. CPSC certified. Refillable with butane lighter fluid.

57513	Olympian™ GM10 Gas Match	12
-------	--------------------------	----

GM6 Gas Match

Easy one-handed operation. Piezo electric ignition, fully adjustable flame, safety lock, fuel viewing window, thousands of lights. CPSC certified. Refillable with butane cigarette lighter fluid. 11" long. Black. Olympian™ GM6 Gas Match

57553	Olympian™ GM6 Gas Match	12
-------	-------------------------	----

GM4 Gas Match

Our most popular mid-sized model. Piezo electric ignition, fully adjustable flame, safety lock, fuel viewing window, thousands of lights. CPSC certified. Refillable with butane lighter fluid. 11" long. Olympian™ GM4 Gas Match

57453	Olympian™ GM4 Gas Match	12
-------	-------------------------	----

GM9 Disposable Gas Matches

Great for barbecues, fireplaces, pilot lights, kerosene heaters and candles. Safety lock, CPSC certified, adjustable flame, fuel viewing window. 11" long.

57473	Olympian™ GM9 Gas Match-2/pack	12
-------	--------------------------------	----

Ronson® Butane

Multi-fill injectors in 78 gram and 165 gram sizes.

57416	Ronson 78 Gram Butane Fuel	12
57496	Ronson 165 Gram Butane Fuel	12

GM12 Continuous Ignition Multi-Sparker

This handy igniter is the one designed exclusively for igniting gas appliances. No butane to refill. The continuous ignition piezo electric sparker assures a large and immediate continuous spark. The automatic illumination micro-light and curved nozzle make tough lighting jobs easy. Uses one C battery (included).

57533	GM12 - 13" long (7" pipe)	12
57561	GM12X - 26" long (20" pipe)	12
57591	GM12XE - 31" long (25" pipe)	12



57433



57543



57513



57453

57553



57416

57496

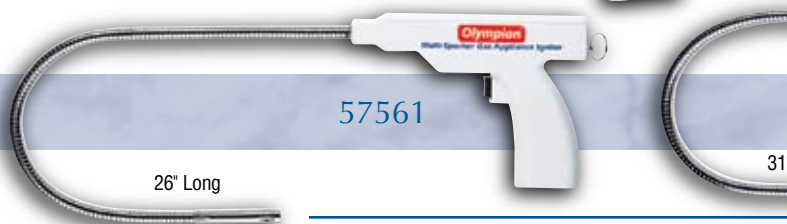
57473



13" Long

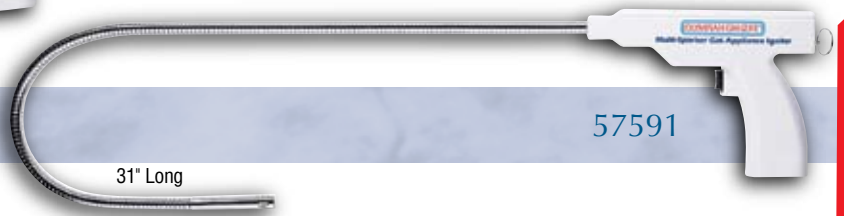


57533



57561

26" Long



57591

31" Long

Olympian™

Dependable products designed to enhance your travel experience.

Stock#	Description	Qty.
--------	-------------	------

Stabilizing Trailer Jacks

These Stabilizing Trailer Jacks with heavy duty non-corroding cast aluminum base and permanent handle extend from 11" to 17".

Certified 8000 lb load capacity.

57361	Aluminum Jack Stands - 2/pk	12
57365	Aluminum Jack Stands - 4/pk	8

Telescopic Stabilizing Jacks

Zinc-plated inner tube and screw assembly. Adjustable from 16" to 30". Sturdy steel construction, powder coated for maximum rust protection. Certified 7500 lb load capacity. Set of 2.

57371	Olympian™ Telescopic Jack - 2/pk	2
-------	----------------------------------	---

Fit most motorhomes or trailers, and allow for either bolt-on or weld-on applications. Certified 6500 lb load capacity. Powder coated for maximum rust protection.

57401	20" Scissor Jack - 2/pk	1
57421	24" Scissor Jack - 2/pk	1
57441	28" Scissor Jack - 2/pk	1

Cross-Frame Stabilizing Jacks

Cross-Frame assembly allows for greater stability. Electronic deposition coated for maximum rust protection. Adjustable for most cross-frame applications (64" to 74"). Easy-to-follow instructions included.

57461	20" x 8" Cross-Frame Stabilizing Jack - 2/pk	1
57481	20" x 13" Cross-Frame Stabilizing Jack - 2/pk	1
57501	24" x 8" Cross-Frame Stabilizing Jack - 2/pk	1



57361



57401



57371



57461

Stabilizers



A division of Camco.

Olympian™ leveling, stabilizing and towing product are certified for highest quality ISO 9001 certification.



57521



57883



57381



57391

Stock#	Description	Qty.
--------	-------------	------

Adjustable Sway Bar Control

Diminishes sway from windy conditions or passing vehicles. Provides constant and adjustable sway reduction. Features dual brake pad system. Come complete with slide bar, crank handle, spring clips, friction plate, ball tongue plate, ball tongue plate support and chrome tongue ball. Detaches quickly for storage.

57521	Adjustable Sway Bar Control	3
-------	-----------------------------	---

Stabilizing Base Pads

For use with most cross-frame or "T" type stabilizing jacks. Wide pad construction for greater stability. Installation hardware and anti-rattle rubber grommet included. Four pads per box.

57883	Stabilizer Base Pad - 4/pk	8
-------	----------------------------	---

5th Wheel Stabilizing Jack

Adds greater stability to the front of your 5th wheel. For use with 5th wheels whose coaches have a king pin height of 38-1/2" to 50". Features tripod construction for easy set-up, and concave pads for multiple heights. Steel tube construction with chrome chain. Electronic deposition coated for maximum rust protection. Folds down for easy storage. Certified 5000 lb load capacity.

57381	5th Wheel Stabilizer	1
-------	----------------------	---

King Pin 5th Wheel Stabilizer

Designed for use with 5th wheels trailers whose coaches have a king pin height of 38-1/2" to 50". Major height adjustments are made by simply moving the adjustable foot pads inward or outward; minor adjustments are made at the screw level with the provided stabilizing adjusting lever. Fully assembled with steel tube construction and chrome chain. Certified 5000 lb load capacity.

57391	5th Wheel King Pin Stabilizer	1
-------	-------------------------------	---

Parking

Stock#	Description	Qty.
--------	-------------	------

AccuPark™

Parking made easy! Park your vehicle in the same place every time with AccuPark™. Great for cars, trucks, RVs and trailers. Adhesive tape strips included.

61187	AccuPark™ Display	50
44442	AccuPark™	10/ctn



44442



61187

* Not an Olympian™ brand product.

Antifreeze and Accessories

Antifreeze and Accessories

Stock#	Description	Size	Qty.
--------	-------------	------	------

Windshield Washer Fluid

No mixing required. Easily removes road grime, film and bugs. Excellent for all season use. Aids in melting frost, snow and ice.

30907	-20 Xtreme Blue™ Windshield Washer Fluid	1 gallon	6
30917	-25 Xtreme Blue™ Windshield Washer Fluid	1 gallon	6
30987	-0 Xtreme Blue™ Windshield Washer Fluid	1 gallon	6
30977	+20 Xtreme Blue™ Windshield Washer Fluid	1 gallon	6
30522	Ice Cutter Spray	32 oz	6
30527	Ice Cutter Windshield Washer Fluid	1 gallon	6

RV Antifreeze

30757	Easy Going -50 Antifreeze	1 gallon	6
30759	Easy Going -50 Antifreeze	5 gallons	1
30758	Easy Going -50 Antifreeze	55 gallons	1

- Protects to -50°F (-46°C) • Safe • Odorless • Tasteless • No mixing required
- Non-Toxic • Propylene Glycol base • Safe for fresh water systems
- High grade antifreeze for complete freeze protection requirements
- All ingredients are listed in the U.S. Federal Register (GRAS)*

Boiler Antifreeze and Re-Charge

33117	Boiler AL -100	1 gallon	6
33116	Boiler AL -100	3.5 gallons	1
33119	Boiler AL -100	5 gallons	1
33118	Boiler AL -100	55 gallons	1
30027	Boiler Antifreeze -100	1 gallon	6
30029	Boiler Antifreeze -100	5 gallons	1
30028	Boiler Antifreeze -100	55 gallons	1
35106	Inhibitor Re-Charge for Boiler Antifreeze	32 oz	6

Replaces depleted corrosion inhibitors in antifreeze solutions to prevent corrosion problems. Can also be added to uninhibited antifreeze solutions. Not for use with Boiler AL.

- For hydronic heating and cooling systems • Protects to 100° below zero F (-73°C) • Safe • Odorless • Tasteless • Non-Flammable • No mixing required.
- A premium heat transfer fluid with special corrosion inhibitors added. For use in hot water and other closed boiler and solar systems. Concentrated, may be diluted to the desired burst protection level and flow temperature desired using the chart provided on each label. Contains Propylene Glycol with corrosion inhibitor and inert ingredients. Boiling point: 1000mm ... 116°C ...240°F. All ingredients are listed in the U.S. Federal Register (GRAS).*

*Generally regarded as safe

33127	Ready-To-Use (RTU) Boiler Antifreeze	1 gallon	6
33129	Ready-To-Use (RTU) Boiler Antifreeze	5 gallons	1
33128	Ready-To-Use (RTU) Boiler Antifreeze	55 gallons	1

Accessories

65401	Freeze-Check Refractometer	1
36011	Camco Boiler Antifreeze Test Strips	1

Eliminates guesswork by reading freeze protection of ethylene glycol, methoxy propanol and propylene glycol, as well as actual burst protection of propylene glycol antifreezes. Rapid temperature compensation for accuracy in varying temperatures. Shock resistant design. Improved optics for ease of viewing. Completely immersible.

These strips test the pH of the solution to indicate the corrosion protection.



30907



30522



30527



30757



30027



30029



35106



65401



36011



Index by Number

00103	GE/Hotpoint Plug-in 1325w 240v Y.....	15	02303	Element- 4000w 240v SI HWD.....	6
00113	GE/Hotpoint Plug-in 2350w 240v Y.....	15	02340	Element- 4500w 240v SI HWD.....	6
00143	Universal Economy Plug-in 1250w 240v Y.....	15	02343	Element- 4500w 240v SI HWD.....	6
00153	Universal Economy Plug-in 2100w 240v Y.....	15	02352	Element- 5000w 480v [Special Order].....	6
00183	GE/Hotpoint w/trim ring 325w 240v GE.....	15	02363	Element- 5500w 240v SI HWD.....	6
00193	GE/Hotpoint w/trim ring 2125w 240v GE.....	15	02382	Element- 4500w 480v [Special Order].....	6
00223	Universal Economy Plug-in 1250w 240v Delta.....	15	02392	Element- 6000w 480v [Special Order].....	6
00233	Universal Economy Plug-in 2100w 240v Delta.....	15	02463	Element- 1500w 120v SI LWD.....	5
00243	Universal Deluxe Plug-in 1500w 240v.....	15	02493	Element- 2500w 240v SI LWD.....	5
00253	Universal Deluxe Plug-in 2100w 240v.....	15	02523	Element- 3500w 240v SI LWD.....	5
00263	Universal Deluxe Plug-in 1500w 240v.....	15	02583	Element- 4500w 240v SI LWD.....	5
00273	Universal Deluxe Plug-in 2100w 240v.....	15	02613	Element- 6000w 240v SI LWD.....	5
00283	GE/HP Plug-in w/o trim ring 1325w 240v GE.....	15	02643	Element- 4500w 240v SI MWD.....	6
00293	GE/HP Plug-in w/o trim ring 2125w 240v GE.....	15	02713	Element- 3800w 240v Duron® LWD.....	5
00303	GE/HP 6" Chrome Trim Ring.....	17	02723	Element- 4500w 240v Duron® LWD.....	5
00313	GE/HP 8" Chrome Trim Ring.....	17	02853	Element- 1500w 120v SI LL.....	5
00323	GE/HP 6" Porcelain Ring Bowl.....	17	02903	Element- 2500w 240v SI LL.....	5
00333	GE/HP 8" Porcelain Ring Bowl.....	17	02913	Element- 3500w 240v SI LL.....	5
00343	Universal 6" Chrome Trim Ring.....	17	02923	Element- 4500w 240v SI LL.....	5
00353	Universal 8" Chrome Trim Ring.....	17	02933	Element- 5500w 240v SI LL.....	5
00363	Round 7" Chrome Gas Range Drip Pan.....	17	02953	Element- 4500w 240v SI Ripple LL.....	5
00373	Square 7-3/4" Chrome Gas Range Drip Pan.....	17	02963	Element- 5500w 240v SI Ripple LL.....	5
00383	Universal 6" Plug-In Chrome Ref Bowl.....	17	03342	Element- 4500w 240v RHF HWD.....	6
00393	Universal 8" Chrome Ref Bowl.....	17	03743	Element- 1500w 120v FF HWD.....	6
00403	GE/HP 6" Drip Bowl GE/Hotpoint.....	17	03923	Element- 3500w 240v FF HWD.....	6
00413	GE/HP 8" Drip Bowl GE/Hotpoint.....	17	03943	Element- 4500w 240v FF HWD.....	6
00423	GE/HP 6" Hinge Chrome Pan.....	17	04103	Element- 4500w 240v FF LWD.....	5
00433	GE/HP 8" Hinge Chrome Pan.....	17	04363	Element- 1500w 120v UF HWD.....	6
00443	Drip Bowl GE/HP 6" Porcelain 1990 - Present.....	17	04383	Element- 1500w 240v UF HWD.....	6
00453	Drip Bowl GE/HP 8" Porcelain 1990 - Present.....	17	04443	Element- 2000w 120v UF HWD.....	6
00463	Universal 6" Reflector Pan Hinge.....	17	04483	Element- 2500w 240v UF HWD.....	6
00473	Universal 8" Reflector Pan Hinge.....	17	04503	Element- 3000w 240v UF HWD.....	6
00483	Drip Bowl GE/HP 6" Chrome 1990 - Present.....	17	04523	Element- 3500w 240v UF HWD.....	6
00493	Drip Bowl GE/HP 8" Chrome 1990 - Present.....	17	04563	Element- 4000w 240v UF HWD.....	6
00503	Universal 6" Plug-In Black Porcelain.....	17	04603	Element- 4500w 240v UF HWD.....	6
00513	Universal 8" Plug-In Reflector Bowl.....	17	04643	Element- 5500w 240v UF HWD.....	6
00543	GE/HP 6" Hinge Black Reflector Pan.....	17	04703	Element- 4500w 240v UF LWD.....	5
00553	GE/HP 8" Hinge Black Reflector Pan.....	17	04722	HWD 2000w 277v Hairpin Design.....	6
00583	Universal 6" Black Porcelain Pan.....	17	04732	HWD 4500w 277v Hairpin Design.....	6
00593	Universal 8" Black Porcelain Pan.....	17	04742	HWD 6000w 277v Foldback Design.....	6
00611	Bake Element 2400w 240v.....	18	04752	LWD 2000w 277v Hairpin Design.....	6
00621	Bake Element 3000w 250v.....	18	04762	LWD 4500w 277v Hairpin Design.....	6
00631	Bake Element 2700w 240v.....	18	04772	LWD 6000w 277v Foldback Design.....	6
00641	Bake Element 2500w 240v.....	18	04803	Element- 4500w 240v UF MWD.....	6
00651	Bake Element 3000w 250v.....	18	04943	Element- 4500w 240v UF LL.....	5
00681	Bake Element 2585w 250v.....	18	04963	Element- 5500w 240v UF LL.....	5
00701	Bake Element 2600w 240v.....	18	05701	Open Coil Element- 1000w 120v.....	7
00711	Bake Element 2585w 250v.....	18	05741	Open Coil Element-1500w 120v.....	7
00721	Bake Element 2475w 250v.....	18	05761	Open Coil Element-1750w 120v.....	7
00731	Bake Element 2200w 250v.....	18	05781	Open Coil Element-2000w 120v.....	7
00741	Bake Element 2585w 250v.....	18	05802	Open Coil Element-2000w 240v.....	7
00751	Bake Element 3100w 240v.....	18	05901	Open Coil Element-1500w 120v Economy.....	7
00761	Bake Element 2400w 240v.....	18	05902	Open Coil Element-1500w 120v Economy.....	7
00771	Broil Element 3000w 250v.....	18	06712	Thermostat Bracket SI.....	6
00791	Bake Element 2500w 240v.....	18	06822	Screw-In Element Gasket.....	7
00801	Broil Element 3400w 250v.....	18	06842	1/2" Thick Round Rubber Element Gasket.....	7
00811	Broil Element 3400w 240v.....	18	06882	Element Accessory-Universal Element Gasket.....	7
00831	Broil Element 3410w 250v.....	18	06902	Element Accessory-Four Hole Gasket.....	7
00853	GE/Hotpoint Receptacle Block.....	16	06912	Dip Tube Gasket.....	6
00863	Universal Range Switch.....	16	07013	Plumber's Pack w/Therm-O-Disc thermostats.....	7
00873	Universal Receptacle Block Kit.....	16	07023	Plumber's Pack w/Apcom thermostats.....	7
00883	Electric Range Knobs-Top Burner - Black.....	16	07033	Plumber's Pack w/Therm-O-Disc t-stats LWD.....	7
00893	Electric Range Knob-Burner/Oven - White.....	16	07043	Plumber's Pack w/Apcom t-stats LWD.....	7
00903	Electric Range Knobs-Top Burner - Chrome.....	16	07133	Element Gasket Kit-Universal Gasket Kit.....	7
00913	Electric Range Knob-Burner/Oven - Black.....	16	07222	Element Gasket Kit-Screw Flange.....	7
00923	Electric Range Knobs-Top Burner - White.....	16	07223	Element Conversion Kit.....	7
00933	Electric Range Knob-Burner/Oven - Chrome.....	16	07723	Apcom Style- Lower Thermostat.....	8
00943	Gas Range Knobs-Top Burner - Black.....	16	07733	Apcom Style- Lower T-stat w/HLC, Ext. Control.....	8
00953	Gas Range Knob-Burner/Oven - White.....	16	07843	Apcom Style- Single Element Thermostat w/HLC.....	8
00963	Gas Range Knobs-Top Burner - Chrome.....	16	07853	Apcom Style- Single Element T-stat w/HLC, Ext. Control.....	8
00973	Gas Range Knob-Burner/Oven - Black.....	16	07863	Apcom Style- Upper Thermostat w/HLC.....	8
00983	Gas Range Knobs-Top Burner - White.....	16	08013	Therm-O-Disc Style- Single Element 120v Thermostat.....	9
00993	Gas Range Knob-Burner/Oven - Chrome.....	16	08121	Thermostat with sheild.....	9
01013	Dielectric Water Heater Heat Traps.....	12	08123	Therm-O-Disc Style- Lower Thermostat.....	9
01023	Dielectric Heat Trap- Flapper Style.....	12	08141	Thermostat with sheild.....	9
02103	Element- 1000w 120v SI HWD.....	6	08143	Therm-O-Disc Style- Single Element Thermostat w/HLC.....	9
02143	Element- 1500w 120v SI HWD.....	6	08161	Thermostat with sheild.....	9
02152	Element- 1500w 240v SI LL [Special Order].....	5	08163	Therm-O-Disc Style- Upper Thermostat w/HLC.....	9
02163	Element- 1500w 240v SI HWD.....	6	08213	Therm-O-Disc Style- 89t Upper Thermostat w/HLC.....	9
02203	Element-2000w t120v SI HWD.....	6	08223	Therm-O-Disc Style- 89t Single Element.....	9
02223	Element- 2000w 240v SI HWD.....	6	08304	Upper 180° Commercial Thermostat.....	9
02243	Element- 2500w 240v SI HWD.....	6	08314	Lower 180° Commercial Thermostat.....	9
02263	Element- 3000w 240v SI HWD.....	6	08401	Natural Gas Control White-Rodgers 42000 BTU.....	10
02283	Element- 3500w 240v SI HWD.....	6	08421	Natural Gas Control Robertshaw 79000 BTU.....	10
02293	Element- 3800w 240v SI HWD.....	6	08461	LP Gas Control (Left Hand Threads) Robertshaw.....	10
			09072	Gas Control Extender.....	10
			09253	12" Thermocouple Kit.....	10
			09273	18" Thermocouple Kit.....	10

09293	24" Thermocouple Kit.....	10	20840	22" ID Aluminum Drain Pan w/PVC Fitting.....	14
09313	30" Thermocouple Kit.....	10	20846	22" ID 2" Aluminum Drain Pan w/CPVC Fitting.....	14
09333	36" Thermocouple Kit.....	10	20860	30" ID Aluminum Drain Pan w/PVC Fitting.....	14
09353	48" Thermocouple Kit.....	10	20866	30" 2" ID Aluminum Drain Pan w/CPVC Fitting.....	14
09433	Thermocouple Tester.....	10	20922	24" x 24" x 4" Heater Pan.....	14
09882	5" Screw-In Element Wrench.....	12	20932	30" x 30" x 6" Heater Pan.....	14
09883	5" Screw-In Element Wrench.....	12	23303	1/2" Back-Flow Preventer.....	12
09942	4" Heavy Duty Element Wrench.....	12	23402	3/4" Back-Flow Preventer.....	12
09943	4" Heavy Duty Element Wrench.....	12	23502	Dielectric Union 3/4" FIP.....	12
09963	Gas Control Wrench-Universal.....	10	23503	Dielectric Union 3/4" FIP.....	12
10020	Water Heater Continuity Tester.....	13	30027	Boiler Antifreeze -100 1 gallon.....	30
10023	Water Heater Continuity Tester.....	13	30028	Boiler Antifreeze -100 55 gallons.....	30
10025	Water Heater Continuity Tester Display.....	13	30029	Boiler Antifreeze -100 5 gallons.....	30
10035	Flex Water Connector 18" SWT x 3/4" FIP.....	11	30522	Ice Cutter Spray 32 oz.....	30
10043	12" Flex Water Connector.....	11	30527	Ice Cutter WWF 1 gallon.....	30
10053	15" Flex Water Connector.....	11	30757	Easy Going -50 Antifreeze 1 gallon.....	30
10063	18" Flex Water Connector.....	11	30758	Easy Going -50 Antifreeze 55 gallons.....	30
10072	Washer For Water Connector.....	11	30759	Easy Going -50 Antifreeze 5 gallons.....	30
10083	24" Flex Water Connector.....	11	30907	-20 Xtreme Blue™ Windshield Washer Fluid 1 gallon.....	30
10183	15" Copper W H Connector Kit - Gas.....	11	30917	-25 Xtreme Blue™ Windshield Washer Fluid 1 gallon.....	30
10193	15" Copper W H Connector Kit - Electric.....	11	30977	+20 Xtreme Blue™ Windshield Washer Fluid 1 gallon.....	30
10223	15" Copper W H Connector Kit - Universal.....	11	30987	-0 Xtreme Blue™ Windshield Washer Fluid 1 gallon.....	30
10196	3/4" Compression x 3/4" NPT Fitting.....	11	33116	Boiler AL -100 3.5 gallons.....	30
10205	1/2" Compression x 3/4" NPT Fitting.....	11	33117	Boiler AL -100 1 gallon.....	30
10232	Gas Connector 1/2" OD x 24" Stainless Coated.....	11	33118	Boiler AL -100 55 gallons.....	30
10324	Gas Leak Detector 8 oz. w/sprayer.....	10	33119	Boiler AL -100 5 gallons.....	30
10325	Gas Leak Detector 8 oz. w/dauber.....	10	33128	Ready-To-Use (RTU) Boiler Antifreeze 55 gallons.....	30
10367	Gas Leak Detector gallon.....	10	33129	Ready-To-Use (RTU) Boiler Antifreeze 5 gallons.....	30
10399	GP Test Kit Tapered Rubber Nipple.....	10	35106	Inhibitor Re-Charge for Boiler Antifreeze 32 oz.....	30
10409	Gas Pressure Test Kit Hose.....	10	36011	Camco Boiler Antifreeze Test Strips.....	30
10421	1/2" Inlet/outlet T & P Valve w/4" Probe.....	13	44442	AccuPark™.....	29
10423	1/2" Inlet/outlet T & P Valve w/4" Probe.....	13	57301	Olympian 4100 Tabletop Grill.....	26
10461	3/4" Inlet/outlet T & P Valve w/1" Probe.....	13	57316	Olympian Retractable BBQ Set.....	26
10463	3/4" Inlet/outlet T & P Valve w/1" Probe.....	13	57321	Universal BBQ Stand.....	26
10470	3/4" Inlet/outlet T & P Valve w/4" Probe.....	13	57331	Olympian™ Wave 3 Catalytic Safety Heater.....	24
10471	3/4" Inlet/outlet T & P Valve w-4"/5" Probe.....	13	57341	Olympian™ Wave 6 Catalytic Safety Heater.....	24
10473	3/4" Inlet/outlet T & P Valve w/4" Probe.....	13	57351	Olympian™ Wave 8 Catalytic Safety Heater.....	24
10491	3/4" Inlet/outlet Valve w/2-1/2" Shank.....	13	57361	Aluminum Jack Stand.....	28
10493	3/4" Inlet/outlet Valve w/2-1/2" Shank.....	13	57365	Aluminum Jack Stand.....	28
10523	18" Copper W H Connector Kit - Gas.....	11	57371	Olympian Telescopic Jack.....	28
10533	18" Copper W H Connector Kit - Electric.....	11	57381	5th Wheel Stabilizer.....	29
10552	Universal T & P Valve Remover.....	13	57391	5th Wheel King Pin Stabilizer.....	29
10622	Dielectric Nipples.....	12	57401	20" Scissor Jack.....	28
10623	Dielectric Nipples.....	12	57416	Ronson 78 Gram Butane Fuel.....	27
10625	Dielectric Nipples.....	12	57421	24" Scissor Jack.....	28
10732	15" Stainless Water Connector.....	11	57433	GM3 - 14-3/4" Gas Match.....	27
10735	15" Stainless Water Connector.....	11	57441	28" Scissor Jack.....	28
10742	18" Stainless Water Connector.....	11	57453	Olympian™ GM4 Gas Match.....	27
10745	18" Stainless Water Connector.....	11	57473	Olympian™ GM9 Gas Match-2/pack.....	27
10755	24" Stainless Water Connector.....	11	57496	Ronson 165 Gram Butane Fuel.....	27
10765	18" Stainless W H Connector Kit - Gas.....	11	57513	Olympian™ GM10 Gas Match.....	27
10775	18" Stainless W H Connector Kit - Electric.....	11	57521	Adjustable Sway Bar Control.....	29
10785	15" Stainless W H Connector Kit - Gas.....	11	57533	GM12 - 13" long (7" pipe) Multi-Sparkler.....	27
10795	15" Stainless W H Connector Kit - Electric.....	11	57543	GM3X - 26" (15" flex extender) Gas Match.....	27
10862	Side Mount Runoff Tube.....	13	57553	Olympian GM6 Gas Match.....	27
10952	Center Top Mount Runoff Tube.....	13	57561	GM 12X - 26" long (20" pipe) Multi-Sparkler.....	27
10962	Top Mount Runoff Tube.....	13	57570	8" CampLighter.....	26
11062	Flared Dip Tube (52" vertical).....	13	57575	14" Mega Match.....	26
11162	Threaded Dip Tube (48" vertical).....	13	57591	GM12XE - 31" long (25" pipe) Multi-Sparkler.....	27
11231	Gas Water Heater Stand Kit 21" x 21" x 18".....	10	57632	4100 Grill Dust Cover.....	26
11260	20" ID Plastic Drain Pan w/PVC Fitting.....	14	57684	GM3XE - 40-3/4" (36" flex extender) Gas Match.....	27
11266	20" ID Plastic Drain Pan w/CPVC Fitting.....	14	57701	Leg Stands for Wave Heaters.....	24
11360	24" ID Plastic Drain Pan w/PVC Fitting.....	14	57706	Wave 3 Dust Cover.....	24
11366	24" ID Plastic Drain Pan w/CPVC Fitting.....	14	57713	Wave 6 Dust Cover.....	24
11400	26" ID Plastic Drain Pan w/PVC Fitting.....	14	57715	Wave 8 Dust Cover.....	24
11406	26" ID 2" Plastic Drain Pan w/CPVC Fitting.....	14	57722	Wave 3 Dust Cover (portable).....	24
11420	30" ID Plastic Drain Pan w/PVC Fitting.....	14	57723	Wave 6 Dust Cover (portable).....	24
11426	30" ID 2" Plastic Drain Pan w/CPVC Fitting.....	14	57724	Wave 8 Dust Cover (portable).....	24
11442	Drain Pan Fitting 1" CPVC.....	14	57725	Olympian™ 6100 12V T O Safety Heater.....	24
11452	Drain Pan Fitting Kit 1" PVC.....	14	57726	Olympian™ 8100 12V T O Safety Heater.....	24
11460	22" ID Plastic Drain Pan w/PVC Fitting.....	14	57753	Wave 10/ODS 10000 BTU.....	24
11466	22" ID 2" Plastic Drain Pan w/CPVC Fitting.....	14	57844	Wave 3 ODS, 3000 BTU.....	24
11512	Water Heater Drain Valve- Brass.....	12	57845	Wave 6 ODS, 6000 BTU.....	24
11513	Water Heater Drain Valve- Brass.....	12	57846	Wave 8 ODS, 8000 BTU.....	24
11523	Water Heater Drain Valve- Plastic.....	12	57883	Stabilizer Base Pad.....	29
11525	Water Heater Drain Valve- Plastic.....	12	58012	3.5" Pocket Match.....	26
11572	3/4" Anode Rod 42" Aluminum 5/8" Diameter.....	14	61187	AccuPark™ Display.....	29
11582	3/4" Anode Rod 42" Aluminum 3/4" Diameter.....	14	61275	Display-Bake and Broil Assortment.....	20
11612	3/4" Anode Rod 42" (3 section).....	14	61559	Basic Plumbing Display.....	22
11622	3/4" Anode Rod w/Dielectric Nipple.....	14	61585	3' Promotional Water Heater Parts Display.....	21
12660	3" x 25' Fiberglass Pipe Insulation.....	13	61595	2' Promotional Water Heater Parts Display.....	21
12680	3" x 35' Fiberglass Pipe Insulation.....	13	61605	Display-Range Accessories.....	20
20500	5' Washing Machine Hose.....	14	61615	Plumber's Pack Therm-O-Disc Style Display.....	22
20502	5' Washing Machine Hose.....	14	61625	Plumber's Pack Apcom Style Display.....	22
20752	30" x 32" OD Washer Drain Pan.....	14	61685	2' Basic Contractor Display-Therm-O-Disc Style.....	23
20800	20" ID Aluminum Drain Pan w/PVC Fitting.....	14	61695	2' Basic Contractor Display-Apcom Style.....	23
20806	20" ID Aluminum Drain Pan w/CPVC Fitting.....	14	65401	Freeze-Check Refractometer.....	30
20810	26" ID Aluminum Drain Pan w/PVC Fitting.....	14	65675	Universal Water Heater Replacement Parts Display.....	23
20813	26" ID 3" Aluminum Drain Pan w/PVC Fitting.....	14	70061	Water Heater Troubleshooting Manual.....	2
20830	24" ID 2" Aluminum Drain Pan w/PVC Fitting.....	14	70068	Electric Range Troubleshooting Manual.....	2
20833	24" ID 3" Aluminum Drain Pan w/PVC Fitting.....	14			

Index

▶ A			
AccuPark™	29		
Anode Rods	14		
Antifreeze, RV	30		
Antifreeze and Accessories	30		
Apcom Settings	8		
Apcom Style Wiring Diagram	8		
▶ B			
Back-Flow Preventers	12		
Bake and Broil Elements	18		
Bake and Broil Elements Diagrams	18		
Boiler Antifreeze and Re-Charge	30		
Boiler Antifreeze Test Strips	30		
Bowls, Range	17		
Butane Matches	26		
▶ C			
CampLighter	26		
Catalytic Safety Heaters	24		
Chromalox Elements Diagram	18		
Coil Elements	7		
Commercial Thermostats	9		
Compression Fittings	11		
Connector Kits	11		
Continuity Tester	13		
▶ D			
Delta Support, Range Top Burner	15		
Deluxe Range Element Plug-In Universal	15		
Dielectric Nipples	12		
Dielectric Union	12		
Dip Tubes	13		
Displays	20		
Drain Pans and Fittings	14		
Drain Valves	12		
Drip Bowls	17		
Dust Covers, Custom Fitted	24		
▶ E			
Easy Going -50 Antifreeze	30		
Economy Range Element Plug-In Universal	15		
Electric Knob Kit, Range Accessories	16		
Element, Lime Life Water Heater	5		
Element- Low Watt Density	5		
Elements, Special Order	6		
Element Accessories	7		
Element Conversion Kits	7		
Element Conversion Kits, About	7		
Element Gasket Kit	7		
Elements, High/Medium/Low Watt Density	6		
Element Wrenches	12		
▶ F			
Flexible Gas Connector	11		
Flexible Water Connectors	11		
Freeze-Check Refractometer	30		
Frigidaire Elements Diagram	19		
▶ G			
Gas Controls	10		
Gas Control Wrench	10		
Gas Grills and Accessories	26		
Gas Leak Detector	10		
Gas Matches	27		
Gas Water Heater Parts and Accessories	10		
Gas Water Heater Stand Kit	10		
GE/Hotpoint -w/ Porcelain Connector	15		
GE/Hotpoint Range Element Plug-In	15		
GE Elements Diagram	18		
GM9 Disposable Gas Matches	27		
Grill, Tabletop Gas Barbecue Olympian™	26		
Grill Cover	26		
Grill Stand, Folding	26		
▶ H			
Heaters	24		
Heat Traps	12		
Hotpoint Elements Diagram	18		
▶ I			
Ice Cutter™	30		
Inhibitor Re-Charge	30		
Insulation	13		
▶ J			
Jenn-Aire Elements Diagram	18		
▶ K			
Kelvinator Elements Diagram	19		
Kenmore Elements Diagram	18		
King Pin 5th Wheel Stabilizer	29		
Knob Kits, Range	16		
▶ L			
Leg Stands for Wave Heaters	24		
Lime Life Water Heater Elements	5		
▶ M			
Matches, Butane	26		
Matches, Gas	27		
Mega Match	26		
▶ O			
ODS Catalytic Safety Heaters	24		
Olympian™ Heater Comparison Chart	25		
Olympian™ Wave™ Catalytic Safety Heaters	24		
Olympian™ Wave™ ODS Catalytic Safety Heaters	24		
Open Coil Dry Water Heater Elements	7		
▶ P			
Pans, Range	17		
Pipe Insulation	13		
Plug-In Elements for Electric Ranges	15		
Plumber's Packs	7		
Pocket Match	26		
Pressure and Leak Testing	10		
Promotional Range Accessories Displays and Assortments	20		
▶ R			
Range Parts & Accessories	15-17		
Ready-To-Use (RTU) Boiler Antifreeze	30		
Receptacle Block	16		
Reflector Pan	17		
Refractometer	30		
Repair Parts, Range Accessories	16		
Retractable BBQ Set	26		
Rings, Pans and Bowls for Ranges	17		
Robertshaw Left-Hand Thread Gas Control	10		
Ronson® Butane	27		
Roper Elements Diagram	19		
Runoff Tubes	13		
RV Antifreeze	30		
▶ S			
Safety Heaters, Thermostatically Operated	24		
Stabilizing Base Pads	29		
Stabilizing Jacks, Olympian™	28		
Stabilizing Trailer Jacks	28		
Stand Kit, Gas Water Heater	10		
Sway Bar Control, Adjustable	29		
▶ T			
Telescopic Jack- Olympian™	28		
Test Strips, Boiler Antifreeze	30		
Therm-O-Disc Style Wiring Diagram	9		
Thermocouples	10		
Thermocouple Assessories	10		
Thermocouple Tester	10		
Thermostat-Plumber's Pack w/ Apcom Style	7		
Thermostat-Plumber's Pack w/ Therm-O-Disc Style	7		
Thermostats, Apcom Style and Therm-O-Disc Style	8-9		
Thermostatically Operated Safety Heaters	24		
Top Burners for Electric Ranges	15		
Trailer Jacks, Stabilizing- Olympian™	28		
Troubleshooting Manuals	2		
T&P Valves and Accessories	13		
▶ W			
Washer For Water Connector	11		
Washing Machine Hoses	14		
Washing Machine Pans	14		
Water Heater Accessories	12		
Water Heater Connectors and Kits	11		
Water Heater Diagram	4		
Water Heater Elements	5		
Water Heater Repair Kits	7		
Water Heater Thermostats— Therm-O-Disc Style	8		
Water Heater Thermostats— Apcom Style	8		
Water Heater Thermostats— Commercial	9		
Whirlpool Elements Diagram	18		
White-Rodgers Gas Control	10		
Windshield Washer Fluid	30		
Wiring Diagram-Apcom Style Thermostat	8		
Wiring Diagram Therm-O-Disc Style Thermostat	9		
▶ X			
Xtreme Blue™ Windshield Washer Fluid	30		
▶ Y			
Y Support, Range Top Burner	15		

Water Heater Elements

Q: I don't have hot water. How do I determine what is wrong?

A: Check the breaker or fuse box for a blown fuse or tripped breaker. If this is not the problem, shut off the power to the water heater. (IMPORTANT!) The problem may be caused by a defective or shorted element(s) or thermostat(s) or both. If you are experienced with plumbing and electrical tools, you can do the repairs yourself. If you are at all hesitant, call a plumber or electrician. Camco Mfg., Inc. provides a water heater tester (#10023) that lets you test the elements and thermostats while they remain installed on the heater. Instructions are included.

Q: What causes water heater elements to fail, some sooner than others?

A: Several reasons: power surges, lightning, dry-firing (see below) and lime buildup. Most heaters come with standard high watt-density (HWD) elements. These are the least expensive and are susceptible to these problems. On a "Good-Better-Best" scale the HWD elements are GOOD.

Q: Why are some water heater elements folded back?

A: These are low watt-density (LWD) elements. The heat (watts) per square inch of surface has been lowered by 50% from that of a regular element. In order for total heat to be the same, the total surface has been increased. It is folded back so the length will fit the tank. Not all LWD elements are foldbacks. In areas with "hard" water, a LWD element resists lime buildup on its surface, thus extending its life. These elements are BETTER.

Q: What are Lime Life elements?

A: These elements are BEST. They are made of nickel/stainless steel and are ultra low watt-density. These features prevent lime buildup and extend the life of the element. A Lime Life element is not affected by dry-firing. These elements carry a limited lifetime warranty. Because of the low watt-density, these elements are folded back to reduce the length. Some are rippled to further reduce the length to fit the diameter of the tank.

Q: What is meant by the term "dry-firing?"

A: High watt density and low watt-density elements are designed to function in water. If not surrounded by water, the intense heat they generate (dry fire) will cause them to burn out. The water tank must be full of water whenever the power is on. Dry-fire failure is not covered by any warranty. It is a human error. Dry-fired elements are easily detected. The element is soft and easily bent. In most cases, a hole is burned through the surface.

Q: Can I replace the element in my water heater with elements with higher wattage?

A: It is not recommended. The water heater is designed for that element size. Higher wattage might require heavier gauge wire and a larger capacity circuit breaker.

Q: Why do some elements of the same style, wattage and voltage come in different lengths?

A: Different manufacturers have different designs. The shorter element has a wider diameter tubing; the longer element has a narrower diameter, but heat output is measured by total surface. Both have the same amount of surface and both will fit all standard water heaters. Quality is the same.

Q: Can I use a water heater element in an application other than a water heater?

A: It is not recommended. These elements are designed specifically for residential water heaters. We have no experience or knowledge of other uses. Non-water heater use of our elements and thermostats voids all warranties.

Q: I just installed a water heater element and now my heater makes a humming sound.

A: This is called a "harmonic." If the element is installed so that the loop is horizontal, the vibration from the electric current will cause the element to hum. This noise can be prevented by installing so that the loop is vertical. The flanged elements have arrows on the flange indicating the vertical position of the loop. To eliminate the humming on screw-in elements, tighten the element another half turn. In some instances, less than a half turn will stop the harmonic.

Q: Why aren't the two elements operating simultaneously?

A: In most residential water heaters only one element is on at any given time. The lower element does 90% or more of the heating. During periods of heavy use, the upper element switches on (the lower switches off) and heats the upper part of the tank to 120°F. It then shuts off, turns on the lower, and it heats the water to the setting of the lower thermostat.

Water Heater Thermostats

Q: Are water heater thermostats adjustable?

A: Most water heater thermostats provided by Camco are adjustable. They are factory set at 120°F. On a two-element water heater, it is not recommended that the upper thermostat be adjusted. If higher water temperature is desired, adjust the lower to a higher setting. Both may be lowered if a cooler temperature is desired.

About Water Heater Parts

Q: On thermostats without a degree dial, what are the temperatures of the dial settings?

A: The temperature range is:

the Dot =	110° F
Hot =	120° F
A =	130° F
B =	140° F
C =	150° F
Very Hot =	160° F

Q: At what temperature should I set the thermostats?

A: Water heater thermostats are factory pre-set at 120°. However, most are adjustable. It is recommended that the upper T-stat remain set at 120°. If a higher temperature is desired, adjust only the lower thermostat. Caution: High temperature can cause injury.

Q: I noticed that there are two styles of water heater thermostats. Are they interchangeable?

A: Yes, like models of the two thermostat manufacturers are interchangeable. Use caution in selecting the correct model for their position on the heater (upper, lower, single element T-stat).

Q: How do I know which thermostat to buy?

A: A two-element water heater has two thermostats: an upper and a lower. Each must be replaced with a thermostat with the same function: upper for upper, lower for lower. They cannot be interchanged, as they perform specific functions. A single-element water heater has only one thermostat and that is called a "single element thermostat." The upper and lower thermostats for a two-element heater cannot be used on a single-element water heater and vice versa.

Other Miscellaneous Questions

Q: The Temperature and Pressure relief valve has a threaded outlet. What attaches to it?

A: The T&P valve outlet must have a run-off tube attached to it. Most building codes require a tube that terminates 6" from the floor. If the T&P valve activates, water should flow into a drain or into a water heater pan that is plumbed to a drain. This run-off tube may be metal or plastic. Check local plumbing codes for correct material for your area.

Q: What are dielectric fittings and connectors?

A: When fittings of unlike metals are joined together (copper with brass, brass with steel, etc.) the faint electrical current that is present in any water pipe system will cause erosion of the threads in one or both of the fittings and cause leaking. The plastic liner or sleeve in the dielectric fittings and connectors prevents this from happening. Note: Stainless steel fittings and connectors are naturally dielectric and do not need the plastic lining.

Q: What is an anode rod?

A: It is a magnesium or aluminum rod inserted in the heater, from the top, in an opening of its own or as part of the outlet nipple. The metal is self-sacrificing (corrodes); this protects the tank and elements from corroding. Replacement anode rods are available and easy to install.

Q: Are water heater drain pans necessary?

A: It depends on the plumbing codes in your area and the location of your water heater. If your heater is in a garage or a non-finished basement where leaking water would flow harmlessly into a drain, a pan is not necessary. However, if the heater is in or above a living space where leaking could cause extensive water damage, it is cheap insurance to protect your home from such an event.

Q: What type of pan should be used?

A: Plastic pans should be used with electric water heaters, and metal pans should be used for gas water heaters and can be used with electric water heaters. Codes in some areas require metal pans for all heaters installed in a living space.

Q: I opened the drain valve and very little water flowed.

A: You probably have sediment and scale build-up on the bottom of the tank that is blocking the valve. In areas where the water is very "hard" or well water is used, lime build-up can occur. The high heat of the heater elements will cause scale and sediment to coat the elements and settle on the tank bottom. Light buildup of sediment may be removed by attaching a water hose to the drain valve. Drain the tank every 6-12 months, more often if necessary. Important: Turn off power first or it could cause element burn-out.

Q: What is the purpose of a water heater stand?

A: A stand is used primarily with gas water heaters when installed in garages and basements where combustible fumes may exist. Gas heaters have an open flame, and tests have shown that placing a gas water heater at least 16" above the floor will offer some protection against combustion of volatile fumes.





121 Landmark Drive • Greensboro, NC 27409 • plbgandhdwe@camco.net
www.camco.net • Toll Free: 800-334-2004 • NC: 336-668-7661 • FAX: 336-668-2049

